



PIAGGIO & C.s.p.a.



PIAGGIO & C.s.p.a.

SPARE PARTS CATALOGUE



X10 125 4T 4V I.E. E3 2012-2013

Chassis prefix: ZAPM76101, ZAPM76100

Engine prefix: M761M

X10 125

NGTC000U01

Index

Finished products.....	4
Alphanumeric index.....	5
Engine.....	12
Table 01.02 - Engine, assembly.....	12
Table 01.05 - Crankcase.....	13
Table 01.06 - Crankshaft.....	15
Table 01.07 - Cylinder-piston-wrist pin unit.....	16
Table 01.10 - Head unit - Valve.....	17
Table 01.11 - Rocking levers support unit.....	18
Table 01.12 - Cylinder head cover.....	19
Table 01.13 - Driving pulley.....	20
Table 01.14 - Driven pulley.....	21
Table 01.15 - Crankcase cover - Crankcase cooling.....	22
Table 01.18 - Oil pump.....	23
Table 01.19 - Cooler pump.....	24
Table 01.20 - Stater - Electric starter.....	25
Table 01.21 - Flywheel magneto.....	26
Table 01.23 - Flywheel magneto cover - Oil filter.....	27
Table 01.25 - Reduction unit.....	28
Table 01.36 - Throttle body - Injector - Union pipe.....	29
Table 01.42 - Silencer.....	30
Table 01.45 - Air filter.....	31
Frame - Plastic parts - Coachwork.....	32
Table 02.01 - Frame/bodywork.....	32
Table 02.25 - Stand/s.....	33
Table 02.26 - Front shield.....	34
Table 02.27 - Windshield - Glass.....	41
Table 02.30 - Front glove-box - Knee-guard panel.....	43
Table 02.31 - Central cover - Footrests.....	48
Table 02.32 - Side cover - Spoiler.....	56
Table 02.33 - Wheel huosing - Mudguard.....	68
Table 02.34 - Helmet huosing - Undersaddle.....	70
Table 02.36 - Front covers - Mudflaps.....	71
Table 02.37 - Rear cover - Splash guard.....	79
Table 02.38 - Plates - Emblems.....	81
Table 02.39 - Saddle/seats.....	83
Table 02.45 - Driving mirror/s.....	85
Table 02.46 - Locks.....	86
Table 02.47 - Fuel tank.....	87
Table 02.55 - Cooling system.....	88
Handlebars/Steering.....	90
Table 03.01 - Handlebars coverages.....	90
Table 03.02 - Meter combination - Cruscotto.....	97



Table 03.06 - Handlebars - Master cil.....	98
Suspensions - Wheels.....	99
Table 04.01 - Swinging arm.....	99
Table 04.02 - Fork/steering tube - Steering bearing unit.....	100
Table 04.03 - Fork's components (Kayaba).....	101
Table 04.10 - Rear suspension - Shock absorber/s.....	102
Table 04.11 - Front wheel.....	103
Table 04.12 - Rear wheel.....	104
Braking system - Transmissions.....	105
Table 05.01 - Brakes pipes - Calipers.....	105
Table 05.02 - Brakes pipes - Calipers (ABS).....	107
Table 05.03 - Transmissions.....	108
Electrical system.....	109
Table 06.01 - Selectors - Switches - Buttons.....	109
Table 06.03 - Front headlamps - Turn signal lamps.....	110
Table 06.04 - Rear headlamps - Turn signal lamps.....	111
Table 06.05 - Remote control switches - Battery - Horn.....	112
Table 06.06 - Voltage Regulators - Electronic Control Units (ecu) - H.T. Coil.....	113
Table 06.08 - Main cable harness.....	114
Table 06.12 - Electrical system components.....	116

Finished products

Code	Validity
NGTC000U01	ABS - NO ABS:
NGTC000U03	ABS - NO ABS:
NGTC000U05	
NGTC000U07	
NGTCBTAU01	Vehicle colour: White[566]
NGTCBTAU03	Vehicle colour: White[566] ABS - NO ABS: ABS Version[ABS]
NGTCBU1U05	Vehicle colour: Polished pastel white[595] ABS - NO ABS: ABS Version[ABS]
NGTCBU1U07	Vehicle colour: Polished pastel white[595] ABS - NO ABS: No ABS[No ABS]
NGTCDEAU01	Vehicle colour: Blue[222/A]
NGTCDEAU03	Vehicle colour: Blue[222/A] ABS - NO ABS: ABS Version[ABS]
NGTCEVAU01	Vehicle colour: Grey[713/B]
NGTCEVAU03	Vehicle colour: Grey[713/B] ABS - NO ABS: ABS Version[ABS]
NGTCH21U05	Vehicle colour: Ice Grey[755/B] ABS - NO ABS: ABS Version[ABS]
NGTCH21U07	Vehicle colour: Ice Grey[755/B] ABS - NO ABS: No ABS[No ABS]
NGTCHC1U05	Vehicle colour: Matt grey[773/B] ABS - NO ABS: ABS Version[ABS]
NGTCHC1U07	Vehicle colour: Matt grey[773/B] ABS - NO ABS: No ABS[No ABS]
NGTCM8AU01	Vehicle colour: Brown[120/A]
NGTCM8AU03	Vehicle colour: Brown[120/A] ABS - NO ABS: ABS Version[ABS]
NGTCN21U05	Vehicle colour: Matt Black[93/B] ABS - NO ABS: ABS Version[ABS]
NGTCN21U07	Vehicle colour: Matt Black[93/B] ABS - NO ABS: No ABS[No ABS]
NGTCN2AU01	Vehicle colour: BLACK[98/A]
NGTCN2AU03	Vehicle colour: BLACK[98/A] ABS - NO ABS: ABS Version[ABS]



Code	No. table	Pos.	Code	No. table	Pos.	Code	No. table	Pos.
000097	01.21	10	020104	02.37	9	1B000144	02.36	16
000674	01.05	7	020105	03.01	27	1B000153	02.26	4
002440	02.25	7	020108	02.39	9	1B000154	02.26	5
002440	04.01	11	030074	04.10	12	1B000155000C1	02.39	1
002440	04.01	17	030097	04.10	5	1B000275	02.38	5
002440	04.10	3	030115	02.25	6	1B000366	02.26	27
002440	04.10	8	031086	02.33	10	1B000367	02.26	28
003038	02.01	13	031086	02.47	6	1B000467	02.38	2
003055	03.01	23	031088	02.47	7	1B0008485	02.31	2
003056	01.45	15	031120	02.01	11	1B0008495	02.31	2
003056	06.08	20	060201	06.12	14	230359	03.01	9
003058	02.32	40	063435	01.10	19	231590	05.03	5
005967	02.39	12	071633	02.34	6	239388	01.05	10
006125	02.39	16	078307	02.47	9	239388	01.05	4
006416	04.01	21	080341	06.06	9	239388	01.15	4
006635	01.15	2	090854	06.05	15	241936	02.55	4
006647	04.10	15	127927	05.01	14	252420	02.30	8
006647	04.11	3	140435	06.06	13	253937	02.46	4
006966	02.33	11	145298	01.42	14	254485	01.45	17
006966	05.02	9	145298	05.01	32	254485	02.26	20
006976	05.01	12	145298	06.08	15	254485	02.30	25
006976	05.02	11	157716	02.26	18	254485	02.31	14
008375	01.20	6	157716	02.26	25	254485	02.32	8
0111094	04.02	7	157716	02.30	23	254485	02.33	18
012112	03.01	28	157716	02.32	14	254485	02.34	2
012528	01.36	10	157716	02.32	31	254485	02.37	4
012528	06.12	13	157716	02.34	4	254485	02.55	13
012532	02.25	14	157716	03.01	3	254485	02.55	16
012533	01.45	16	174969	05.02	5	254485	02.55	7
012533	01.45	19	178790	03.06	17	254485	06.03	10
012533	02.01	8	178790	04.01	15	254485	06.04	6
012540	02.32	38	179013	05.01	26	257134	02.47	13
012540	02.39	11	179575	05.02	6	257134	03.06	23
012543	03.06	18	191189	02.25	15	257134	05.03	6
012789	04.12	10	194423	04.12	9	257134	06.08	12
013092	02.27	2	195482	02.33	13	257614	02.30	9
013092	02.55	10	1A000235	01.20	5	258146	01.45	8
013763	02.37	15	1A000610R5	01.11	8	258737	02.34	13
013763	02.37	7	1B000124	03.01	1	258737	06.05	12
013763	05.01	35	1B000126000BU	03.01	12	258904	02.55	8
013776	04.10	19	1B000126000H2	03.01	12	259988	01.45	18
013777	01.15	16	1B000126000HC	03.01	12	260918	01.36	7
013877	02.39	17	1B000126000NO	03.01	12	260918	01.45	12
013950	02.01	7	1B000127000BU	03.01	11	265451	05.01	16
013962	04.10	9	1B000127000H2	03.01	11	268304	02.47	8
013963	02.39	5	1B000127000HC	03.01	11	268596	02.37	11
015330	03.06	16	1B000127000NO	03.01	11	269755	01.25	13
015585	01.21	3	1B000128	03.01	6	270147	02.30	19
015856	06.12	8	1B000128000BU	03.01	6	270793	02.30	21
015859	06.04	11	1B000128000H2	03.01	6	271434	03.06	20
015978	03.01	24	1B000128000HC	03.01	6	272426	02.25	3
016404	02.37	8	1B000128000NO	03.01	6	272426	03.02	4
016405	06.08	31	1B000129	02.26	3	272624	01.45	13
016406	03.01	20	1B000130	02.32	1	272750	04.01	19
016406	06.08	19	1B000131	02.32	2	273288	02.27	3
016408	01.21	6	1B000136	02.32	32	273288	02.55	12
016408	02.01	12	1B000136000BU	02.32	32	273460	04.01	20
016627	04.10	11	1B000136000H2	02.32	32	273754	02.25	8
018536	06.01	8	1B000136000HC	02.32	32	274246	01.14	16
018553	01.15	6	1B000136000NO	02.32	32	277916	01.05	21
018575	01.05	16	1B000139	02.32	34	277916	01.07	9
018591	02.37	6	1B000139000BU	02.32	34	277916	01.18	9
018603	06.12	2	1B000139000H2	02.32	34	285536	01.23	19
018639	01.11	15	1B000139000HC	02.32	34	285846	01.10	10
018639	02.39	14	1B000139000NO	02.32	34	287913	01.18	4
018639	05.02	4	1B000142	02.32	23	288474	01.23	17
018640	01.45	14	1B000143	02.32	24	289731	01.15	8



Code	No. table	Pos.	Code	No. table	Pos.	Code	No. table	Pos.
289731	01.18	8	483711	01.10	6	581142	06.08	27
289731	06.06	2	483767	01.05	19	581248	02.25	4
290404	06.08	33	483785	01.05	14	581249	02.25	5
291017	06.12	4	483889	01.13	5	581412	06.01	9
292022	06.04	10	483914	01.10	9	581424	01.20	10
292577	06.08	8	483918	01.18	17	581440	06.05	3
292889	02.25	17	484034	01.05	11	581440	06.08	34
293154	02.34	5	484123	01.11	10	581596	06.08	30
294770	06.08	25	484123	06.12	12	58170R	02.55	5
296141	02.32	39	484819	01.11	2	582041	06.01	5
296456	02.39	3	484819	01.11	5	58218R	01.20	1
297027	01.10	20	484993	01.05	15	58224R	01.21	1
297029	02.31	11	485047	01.05	24	58226R	01.21	4
297029	02.34	16	485080	01.19	9	582298	02.25	2
297498	02.26	10	485603	01.10	13	58233R	02.37	12
297498	02.27	9	485655	01.05	18	582690	06.05	1
297498	02.30	14	485703	01.25	14	582787	04.02	8
297498	02.30	4	485779	01.07	3	582885	02.25	10
297498	02.31	22	485868	01.18	20	582906	06.05	2
297498	02.32	25	485914	01.07	4	582928	06.08	7
297498	02.36	23	486081	01.05	13	582988	06.01	6
297498	02.37	14	486324	01.13	10	582990	02.46	14
298581	02.46	3	486324	01.14	17	582990	02.46	24
298838	02.46	6	486343	01.11	7	583158	06.05	5
299071	06.06	6	486362	01.07	5	583971	06.08	10
299693	02.30	17	486972	01.11	16	584002	06.08	11
299972	02.30	30	487211	01.25	12	584121	02.46	15
299972	02.46	21	487665	01.42	5	584121	02.46	25
351782	02.55	11	487832	01.11	11	584332	06.03	5
411311	01.05	3	487936	01.14	12	584332	06.03	7
414838	01.15	20	487989	01.12	7	584332	06.04	2
414838	01.23	12	497553	01.02	2	584332	06.04	4
430044	04.12	12	497554	01.02	3	584826	06.01	7
430207	01.15	12	563728	04.12	8	584877	02.37	10
430585	01.14	9	564260	04.02	5	584884	02.37	5
431065	01.05	26	56430R	04.02	10	58607R	04.10	1
431089	01.14	8	564606	04.11	11	58610R	04.02	1
4310935	01.14	10	564611	04.01	10	58648R	04.01	4
431577	01.15	13	56498R	04.12	4	597081	04.01	14
431578	01.15	11	565228	03.01	25	597317	04.01	2
432142	01.05	27	575062	02.30	15	597317	04.01	5
433232	01.14	14	575268	02.32	41	597374	04.01	3
434541	01.18	11	575551	02.30	18	597374	04.01	6
434541	03.06	22	575604	02.31	24	597528	04.12	7
434541	04.12	13	575607	02.30	7	597564	01.21	7
434541	05.01	25	575937	06.05	11	597633	05.01	13
434541	06.05	7	576473	02.38	8	597679	04.11	6
434735	04.11	2	576474	02.38	9	597679	04.12	2
4348555	01.13	4	576546	02.47	17	597893	04.01	16
435629	01.10	2	576565	02.27	4	598083	06.06	10
435634	06.12	6	576626	02.31	25	598795	05.02	17
436438	01.10	7	576748	02.47	11	598838	04.10	2
436695	01.18	6	577005	02.30	13	599208	01.42	9
436788	02.01	9	577128	02.46	12	599250	04.01	22
436947	01.42	12	577128	02.46	20	600356	04.02	13
463195	02.26	16	577129	02.46	19	600357	04.02	14
463195	02.47	5	577131	02.46	22	600750	04.02	4
478115	01.05	6	577399	02.30	16	600753	04.02	6
478115	01.07	10	577492	02.39	4	620415	02.46	23
478985	01.15	3	577620	02.30	31	620491	02.31	28
479986	01.23	15	577620	02.46	16	620737	02.55	30
479986	01.23	8	577620	02.46	26	621507	02.31	29
480853	01.10	3	577816	02.46	5	623673	02.55	15
482282	01.42	17	580141	06.03	3	623743	02.47	22
482290	02.47	21	580734	06.03	2	623743	05.01	30
482335	01.07	7	581061	01.20	8	623788	02.46	13
483226	01.14	3	581061	06.08	9	624554	02.38	1



Code	No. table	Pos.	Code	No. table	Pos.	Code	No. table	Pos.
624554	02.38	2	656021	02.47	4	668448	05.01	29
6252687101000	03.01	29	656022	02.47	3	668489	04.02	11
638534	02.46	10	656894	02.32	37	668494	04.03	6
639357	02.47	16	656952	03.01	26	668496	04.03	17
639560	01.42	18	657224	02.46	11	668496	04.03	9
639560	06.08	14	657229	02.34	21	668498	04.03	16
639687	01.12	8	657239	02.55	1	668498	04.03	2
639806	01.42	13	665842	05.01	20	668535	03.06	14
640221	06.12	3	666047	05.01	24	668544	04.02	2
640394	06.08	32	666139	05.01	21	668564	04.01	9
640485	01.10	21	666139	05.01	3	668661	02.39	6
640879	01.21	2	666139	05.01	6	668678	02.25	11
641040	06.06	8	666439	04.02	9	668679	02.25	12
641204	06.08	18	666620	03.06	21	668691	05.02	16
641541	01.23	21	666659	04.12	6	668702	02.25	9
641543	06.06	1	666950	04.01	1	668718	04.01	24
641643	06.06	12	667026	04.01	23	668722	05.01	18
641652	06.08	13	667152	04.12	18	668824	04.11	10
641707	06.01	2	667153	04.12	5	668866	05.01	28
641725	06.06	7	667156	05.01	36	668941	04.03	12
641769	06.08	24	667441	04.01	12	668941	04.03	7
641901	06.06	3	667715	04.12	17	669012	04.03	13
642032	06.01	1	667796	04.10	4	669012	04.03	5
642044	01.36	8	667799	05.01	18	669013	04.03	14
642079	06.01	3	667800	03.06	9	669013	04.03	4
642093	06.05	4	667801	03.06	10	669014	04.03	15
642552	06.08	35	667827	04.01	7	669014	04.03	3
642559	02.25	16	667828	04.11	12	669018	04.03	18
642914	06.03	1	667829	04.11	16	669019	04.03	10
642915	06.03	4	667851	04.12	19	669020	04.03	1
642916	06.03	6	667856	04.11	1	669096	04.11	7
642917	06.04	3	667863	04.11	4	669097	04.12	3
642918	06.04	1	667868	04.11	9	672115	01.15	18
642919	06.04	9	667869	04.11	8	672200	02.38	3
642985	03.02	1	667870	04.11	14	672204	05.01	33
642987	04.12	15	667924	04.12	1	672464	02.55	28
6429875	04.02	12	667957	03.06	5	672491	02.55	26
643130	06.01	10	667975	04.10	10	6727335	02.01	1
643132	06.01	4	667977	04.10	20	673339	03.06	19
643138	02.47	15	667981	05.02	1	67335500C1	02.39	1
643152	03.06	11	667999	05.02	1	67335500C2	02.39	1
643210	06.08	1	668017	05.01	2	673361	02.34	14
643256	06.12	1	668021	05.01	5	673362	02.34	1
643257	06.12	9	668058	05.02	3	673364	02.34	7
643264	06.12	5	668136	05.01	22	673378	03.01	12
643266	06.05	6	668140	04.11	7	673379	03.01	6
643267	06.12	10	668141	04.11	7	673380	03.01	11
643275	06.05	13	668142	04.11	7	673402	03.01	1
643276	06.08	26	668143	04.12	3	6734020090	03.01	1
643277	06.08	22	668144	04.12	3	67340240NM	03.01	1
643310	06.08	23	668145	04.12	3	673412	02.39	10
643358	06.12	11	668190	04.01	4	673416	02.47	1
643360	01.20	7	668199	04.01	18	6734195	02.01	10
643380	06.05	14	668214	05.02	14	673422	02.26	1
643406	06.08	1	668215	05.02	12	67342200BT	02.26	1
643412	01.23	11	668216	05.02	13	67342200BU	02.26	1
643413	06.08	28	668217	05.02	15	67342200DE	02.26	1
643452	06.05	4	668220	02.33	14	67342200EV	02.26	1
646760	04.12	14	668228	05.01	9	67342200H2	02.26	1
647595	02.25	13	668229	05.01	15	67342200HC	02.26	1
649565	04.11	5	668231	05.01	17	67342200M8	02.26	1
650433	04.03	11	668231	05.02	19	67342200NO	02.26	1
650433	04.03	8	668264	05.02	2	67342200XN2	02.26	1
651297	05.01	7	668387	03.06	4	673423	02.33	2
654139	06.05	10	668417	03.06	13	673424	02.26	3
655554	03.06	15	668417	03.06	3	67342400BT	02.26	3
656003	02.47	18	668434	02.25	1	67342400DE	02.26	3





Code	No. table	Pos.	Code	No. table	Pos.	Code	No. table	Pos.
67342400EV	02.26	3	67345200NM	02.32	2	674215	02.32	35
67342400M8	02.26	3	67345200XN2	02.32	2	67421500BT	02.32	35
67342400XN2	02.26	3	67345300H7	02.31	4	67421500DE	02.32	35
67342600H7	02.30	1	67345400H7	02.31	4	67421500EV	02.32	35
673427000C	02.30	2	673455	02.32	4	67421500M8	02.32	35
67342700MA	02.30	2	67345500BT	02.32	4	67421500NM	02.32	35
673428000C	02.30	6	67345500DE	02.32	4	67421500XN2	02.32	35
67342900H7	02.27	8	67345500EV	02.32	4	674216	02.32	34
67343000H7	02.36	1	67345500M8	02.32	4	67421600BT	02.32	34
67343100H7	02.36	18	67345500XN2	02.32	4	67421600DE	02.32	34
67343200H7	02.36	19	673456	02.32	5	67421600EV	02.32	34
673433	02.27	7	67345600BT	02.32	5	67421600M8	02.32	34
6734330090	02.27	7	67345600BU	02.32	5	67421600XN2	02.32	34
673434	02.30	3	67345600DE	02.32	5	674218	02.33	15
673435	02.26	4	67345600EV	02.32	5	67422300H7	02.36	28
673436	02.26	5	67345600H2	02.32	5	67422400H7	02.36	29
673437000C	02.36	2	67345600HC	02.32	5	674225	02.36	11
67343700MA	02.36	2	67345600M8	02.32	5	674226	02.36	12
673438000C	02.36	3	67345600NO	02.32	5	674228	02.31	26
67343800MA	02.36	3	67345600XN2	02.32	5	674233	02.34	11
673439	02.36	16	673458	02.32	10	674241	02.34	10
673440	02.31	1	67345800BT	02.32	10	674243	02.37	13
67344000BT	02.31	1	67345800BU	02.32	10	674246	02.55	2
67344000BU	02.31	1	67345800DE	02.32	10	674301	02.39	8
67344000DE	02.31	1	67345800EV	02.32	10	6746715	02.01	4
67344000EV	02.31	1	67345800H2	02.32	10	674679	02.26	2
67344000H2	02.31	1	67345800HC	02.32	10	67467900BT	02.26	2
67344000HC	02.31	1	67345800M8	02.32	10	67467900BU	02.26	2
67344000M8	02.31	1	67345800NO	02.32	10	67467900DE	02.26	2
67344000NO	02.31	1	67345800XN2	02.32	10	67467900EV	02.26	2
67344000XN2	02.31	1	67345900H7	02.37	1	67467900H2	02.26	2
673441	02.31	1	673460	02.32	20	67467900HC	02.26	2
67344100BT	02.31	1	673461	02.32	23	67467900M8	02.26	2
67344100BU	02.31	1	673462	02.32	24	67467900NO	02.26	2
67344100DE	02.31	1	673464	02.32	27	67467900XN2	02.26	2
67344100EV	02.31	1	673465	02.32	26	67468000H7	02.36	17
67344100H2	02.31	1	67394800C1	02.39	2	67468100H7	02.30	11
67344100HC	02.31	1	67394800C2	02.39	2	67468200H7	02.30	12
67344100M8	02.31	1	673999	02.30	29	674683	02.36	7
67344100NO	02.31	1	674003	02.31	5	674687	02.47	10
67344100XN2	02.31	1	674004	02.31	5	674811	02.47	19
673442	02.31	2	67402200H7	02.31	6	674812	02.55	22
673443	02.31	2	67402300H7	02.31	6	674813	02.55	23
673444	02.33	1	674027	02.46	1	674865	02.32	12
67344400BT	02.33	1	674028	02.46	7	67486500BT	02.32	12
67344400BU	02.33	1	674030	02.55	14	67486500BU	02.32	12
67344400DE	02.33	1	674032	06.05	8	67486500DE	02.32	12
67344400EV	02.33	1	674033	02.36	4	67486500EV	02.32	12
67344400H2	02.33	1	67407300H7	03.01	14	67486500H2	02.32	12
67344400HC	02.33	1	67407400H7	03.01	15	67486500HC	02.32	12
67344400M8	02.33	1	6741055	03.06	1	67486500M8	02.32	12
67344400NO	02.33	1	674176	02.39	13	67486500NO	02.32	12
67344400XN2	02.33	1	674204	02.31	7	67486500XN2	02.32	12
673445	02.27	1	674205	02.31	7	674866	02.32	18
67344600H7	02.31	20	674213	02.32	33	674867	02.32	17
67344700H7	02.31	21	67421300BT	02.32	33	67486700BT	02.32	17
67344900H7	02.31	3	67421300DE	02.32	33	67486700BU	02.32	17
67345000H7	02.31	3	67421300EV	02.32	33	67486700DE	02.32	17
673451	02.32	1	67421300M8	02.32	33	67486700EV	02.32	17
67345100BT	02.32	1	67421300NM	02.32	33	67486700H2	02.32	17
67345100DE	02.32	1	67421300XN2	02.32	33	67486700HC	02.32	17
67345100EV	02.32	1	674214	02.32	32	67486700M8	02.32	17
67345100XN2	02.32	1	67421400BT	02.32	32	67486700NO	02.32	17
673452	02.32	2	67421400DE	02.32	32	67486700XN2	02.32	17
67345200BT	02.32	2	67421400EV	02.32	32	674871	02.33	3
67345200DE	02.32	2	67421400M8	02.32	32	674888	02.47	14
67345200EV	02.32	2	67421400XN2	02.32	32	674916	02.26	6



Code	No. table	Pos.	Code	No. table	Pos.	Code	No. table	Pos.
674918	02.26	7	828662	01.19	2	8481330003	01.07	2
674919	02.26	8	828717	01.14	6	8481330004	01.07	2
674921	02.26	9	82878R	01.05	9	8481875	01.25	1
674922	02.46	18	82897R	01.23	6	848452	01.42	11
675011	03.01	10	8290405	01.23	7	848724	01.20	5
675023	02.34	12	829206	01.25	4	848976	01.12	9
67502700BU	02.32	4	829258	01.45	2	871458	01.15	17
67502700H2	02.32	4	829259	01.45	3	872269	01.36	5
67502700HC	02.32	4	829312	03.01	22	872635	01.12	2
67502700NO	02.32	4	829326	01.13	14	872999	01.10	5
67502800NM	02.32	1	82948R	01.18	1	873114	01.10	4
675029	02.26	24	82952R	01.21	8	873351	01.25	2
675031	02.36	9	829534	01.12	1	873450	01.42	16
675246	03.01	16	829536	01.12	4	873653	01.36	9
675249	03.01	17	829593	01.18	2	8738755	01.25	7
675250	03.01	18	829661	01.05	17	874554	05.02	18
6752555	02.01	3	82991R	01.23	4	874554	05.02	8
675330	02.46	2	830015	01.45	5	8745635001	01.06	1
675401	02.30	10	830056	01.15	19	8745635002	01.06	1
675405	02.36	5	830056	01.45	10	874803	01.20	3
675406	02.36	6	830057	01.45	11	874927	01.21	5
675466	02.38	5	830061	01.05	20	875111	01.05	28
675467	02.38	7	83018R	01.05	5	875113	01.07	8
675469	02.38	6	83018R	01.25	5	875114	01.07	8
675517	02.32	28	83023R	01.05	8	8751215	01.11	8
6756205	02.01	2	830249	01.12	3	875140	01.10	8
675786	02.39	15	83034R	01.25	3	8753065	01.25	6
67579600H7	03.01	14	830446	01.11	14	875694	01.36	2
67579700H7	03.01	15	830447	01.11	13	875701	01.15	7
675874	02.55	25	830580	01.14	2	875908	01.18	7
680049	03.02	2	831363	01.13	7	876075	01.15	5
680071	06.12	7	832130	01.05	22	876317	01.45	9
709012	02.01	14	832870	01.10	14	876413	01.15	14
709047	02.37	16	832963	04.12	11	876625	01.10	15
709047	04.10	13	833989	01.13	12	876921	01.13	6
709047	05.01	8	834187	01.42	10	877076	01.42	2
709099	05.01	11	834187	04.10	18	877136	01.12	6
709099	05.02	10	840504	01.23	10	877286	01.05	2
709532	01.36	6	840507	01.23	22	877309	01.11	9
709646	04.10	6	840510	01.18	18	877310	01.11	11
709646	05.01	23	840533	01.13	8	877432	01.10	12
82518R	01.14	4	842009	01.13	11	877528	01.19	1
82545R	04.10	16	842041	04.02	3	877793	05.02	8
825952	01.18	16	842041	04.12	16	8778435	01.15	1
826165	01.23	18	842204	01.13	3	877845	01.15	10
826298	04.10	17	842385	01.21	9	878666	01.19	6
82635R	01.23	20	842389	01.23	5	878940	01.19	3
8263885	01.42	7	842390	01.19	5	8789555001	01.05	1
82644R	01.18	21	842908	01.42	3	8789555002	01.05	1
82649R	01.18	14	843568	01.23	16	879002	01.14	7
82650R	01.18	12	8440494	01.14	15	879081	01.23	14
827085	01.05	23	844160	01.23	13	879916	01.11	2
82737R	01.20	4	844582	01.05	12	879916	01.11	5
827526	01.42	4	844730	01.23	9	880558	01.07	1
82753R	01.14	5	8447595	01.23	2	880950	01.13	9
82755R	01.23	3	844964	01.15	9	895839	02.38	4
82782R	01.18	22	845605	01.10	18	9004179059000	01.20	9
827831	01.45	6	845753	01.10	16	939278	05.02	7
82783R	01.18	15	845861	01.05	25	963486	01.07	6
82789R	01.42	6	845996	01.45	4	969224	02.01	6
828152	01.36	3	846098	01.18	10	969296	02.46	17
82817R	01.11	3	847116	01.18	24	969348	06.06	11
82817R	01.11	6	847928	01.18	13	975685	02.36	8
828308	01.18	23	847929	01.18	3	AP8104097	02.55	25
82831R	01.10	22	847931	01.25	9	AP8119925	01.42	15
828421	01.12	5	8481330001	01.07	2	AP8121641	04.11	13
82843R	01.13	13	8481330002	01.07	2	AP8152277	06.08	29

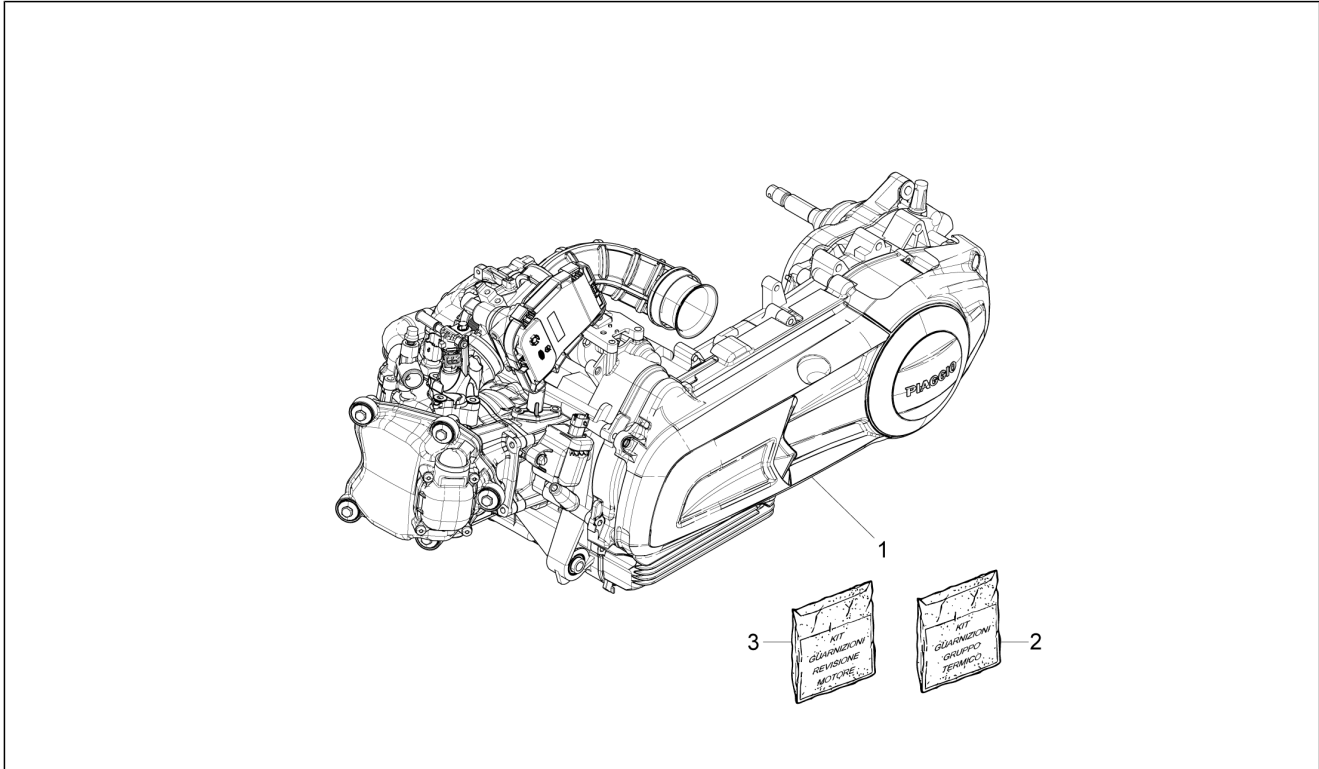


Code	No. table	Pos.	Code	No. table	Pos.	Code	No. table	Pos.
AP8161031	04.10	7	CM017410	02.26	14	CM178603	02.32	13
AP8161182	02.31	27	CM017410	02.26	22	CM178603	02.32	29
AP8221329	04.11	15	CM017410	02.27	6	CM178603	02.32	6
AP9150472	01.23	23	CM017410	02.30	20	CM178603	02.34	15
B013022	06.06	14	CM017410	02.30	22	CM178603	02.34	8
B0130545	01.36	4	CM017410	02.31	16	CM178603	02.34	9
B013107	01.14	11	CM017410	02.31	19	CM178603	02.36	10
B013246	01.14	13	CM017410	02.31	30	CM178603	02.36	20
B013477	01.10	17	CM017410	02.32	22	CM178603	02.36	22
B014673	06.06	5	CM017410	02.32	9	CM178603	02.36	27
B0148885	01.23	1	CM017410	02.33	6	CM178603	03.01	2
B014970	01.11	12	CM017410	02.33	9	CM178604	02.26	26
B015347	04.10	14	CM017410	02.34	3	CM178604	02.33	5
B0153485	01.42	1	CM017410	02.36	14	CM178604	02.36	13
B0160795	01.25	8	CM017410	02.36	21	CM178604	02.36	24
B016086	01.42	8	CM017410	02.36	26	CM178604	03.01	21
B0161175	01.10	1	CM017410	03.01	8	CM178606	02.36	15
B016210	02.39	7	CM017410	06.04	8	CM178606	02.55	17
B016425	02.01	5	CM017718	02.32	3	CM178606	03.01	13
B016426	01.18	5	CM023701	02.46	8	CM178606	03.02	3
B016774	01.18	19	CM025707	02.47	2	CM178608	02.26	11
B016774	01.20	2	CM067807	04.01	13	CM178610	02.31	15
B016774	06.06	4	CM067809	04.01	8	CM179201	02.26	19
B016775	01.15	12	CM068316	05.01	1	CM179201	02.30	24
B016805	01.25	12	CM068317	05.01	4	CM179201	02.31	13
B016806	01.25	11	CM068318	05.01	19	CM179201	02.33	17
B0168945	01.25	8	CM080902	06.08	5	CM179201	02.34	17
B017213	01.45	1	CM080904	06.08	4	CM179201	02.37	3
B0172790001	01.05	1	CM080905	06.08	3	CM179202	02.32	15
B0172790002	01.05	1	CM080906	06.08	2	CM179202	02.33	12
B018147	01.10	17	CM080907	06.08	6	CM179202	02.46	9
B0184835	01.11	1	CM084201	03.06	6	CM179301	02.32	7
B0184845	01.11	4	CM084202	03.06	8	CM179301	02.33	4
B019030	04.10	14	CM084826	01.36	1	CM179301	02.33	7
B019352	01.11	1	CM086101	05.01	10	CM179301	02.34	18
B019354	01.11	4	CM086401	03.06	2	CM179301	02.37	2
B019386	01.10	1	CM086402	03.06	12	CM179301	02.47	20
CM001902	02.55	21	CM086403	03.06	2	CM179301	02.55	29
CM001904	01.12	10	CM086404	03.06	12	CM179301	03.01	19
CM001904	01.12	11	CM086405	03.06	2	CM179301	06.04	5
CM001904	01.19	4	CM086406	03.06	12	CM179301	06.05	9
CM001904	01.19	7	CM088203	03.06	7	CM179302	02.31	10
CM001904	02.55	20	CM1038045	01.13	2	CM179302	02.34	20
CM001909	02.55	24	CM144403	01.13	1	CM179302	06.03	9
CM001914	02.47	12	CM155109	01.15	15	CM179303	02.27	5
CM001917	01.19	10	CM1581195	01.02	1	CM179303	02.33	16
CM001922	01.19	8	CM159801	01.10	11	CM179303	02.55	3
CM002910	01.45	7	CM159802	01.10	11	CM179305	02.55	6
CM006313	02.30	5	CM159803	01.10	11	CM179305	02.55	9
CM006902	05.01	31	CM162201	01.25	10	CM180701	02.26	15
CM006904	05.01	31	CM162408	01.14	1	CM180701	02.31	23
CM006904	06.08	16	CM178601	02.26	17	CM180701	02.32	19
CM006906	02.55	31	CM178601	02.26	21	CM180701	02.34	19
CM006906	06.08	16	CM178601	02.30	26	CM180701	06.03	8
CM006907	06.08	17	CM178601	02.31	32	CM180703	03.01	5
CM006914	02.55	27	CM178601	02.32	21	CM182002	02.45	1
CM007019	02.55	19	CM178601	02.33	8	CM182003	02.45	2
CM007020	02.55	18	CM178601	05.01	34	CM182005	02.45	1
CM011101	02.31	9	CM178601	06.04	7	CM182006	02.45	2
CM012846	05.03	1	CM178602	02.31	12	D9004461193	06.08	21
CM012847	05.03	2	CM178602	03.01	7	D9004468091	02.26	23
CM012848	05.03	3	CM178603	02.26	13	D9004468091	02.31	17
CM012849	05.03	4	CM178603	02.27	10	D9004468091	02.31	31
CM013201	02.34	21	CM178603	02.30	27	D9004468091	02.32	11
CM013201	05.01	27	CM178603	02.30	28	D9004468091	02.32	16
CM017403	06.04	12	CM178603	02.31	18	D9004468091	02.32	30
CM017410	02.26	12	CM178603	02.31	8	D9004468091	02.32	36



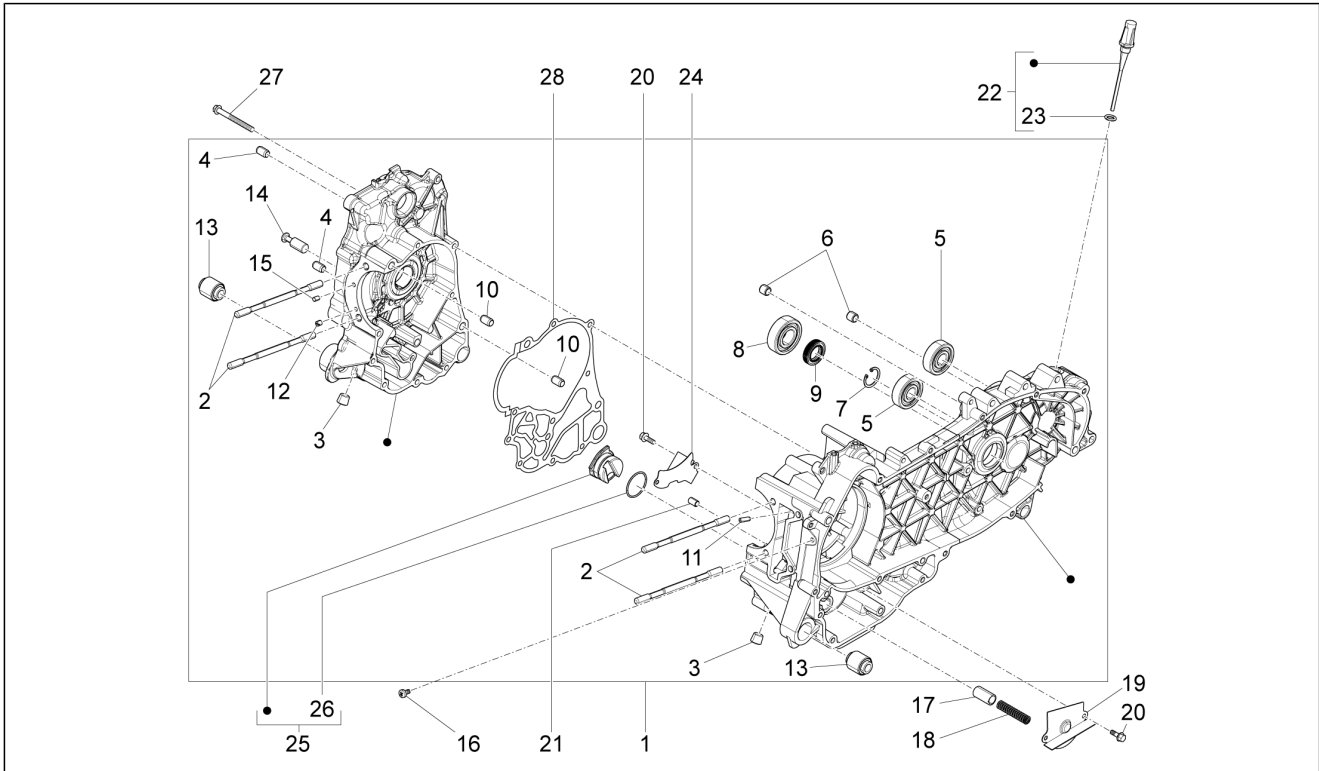
Code	No. table	Pos.
D9004468091	02.36	25
D9004468091	03.01	4

Group	Engine
Code	01.02
Description	Engine, assembly
Service	1



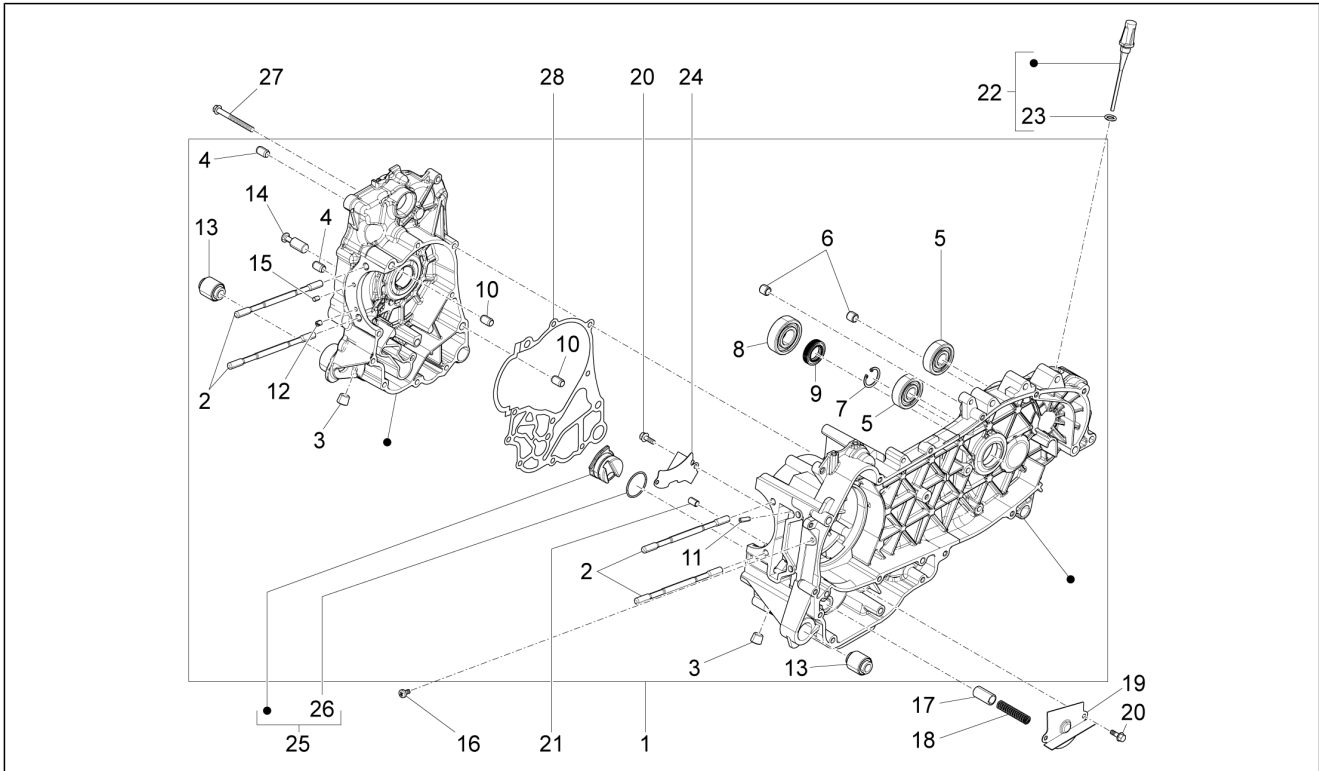
Pos.	Code	Description	Qty	Variants
1	CM1581195	125 4T/4V E3 IE Engine	1	
2	497553	Cylinder gasket kit	1	
3	497554	Gaskets kit	1	

Group	Engine
Code	01.05
Description	Crankcase
Service	1



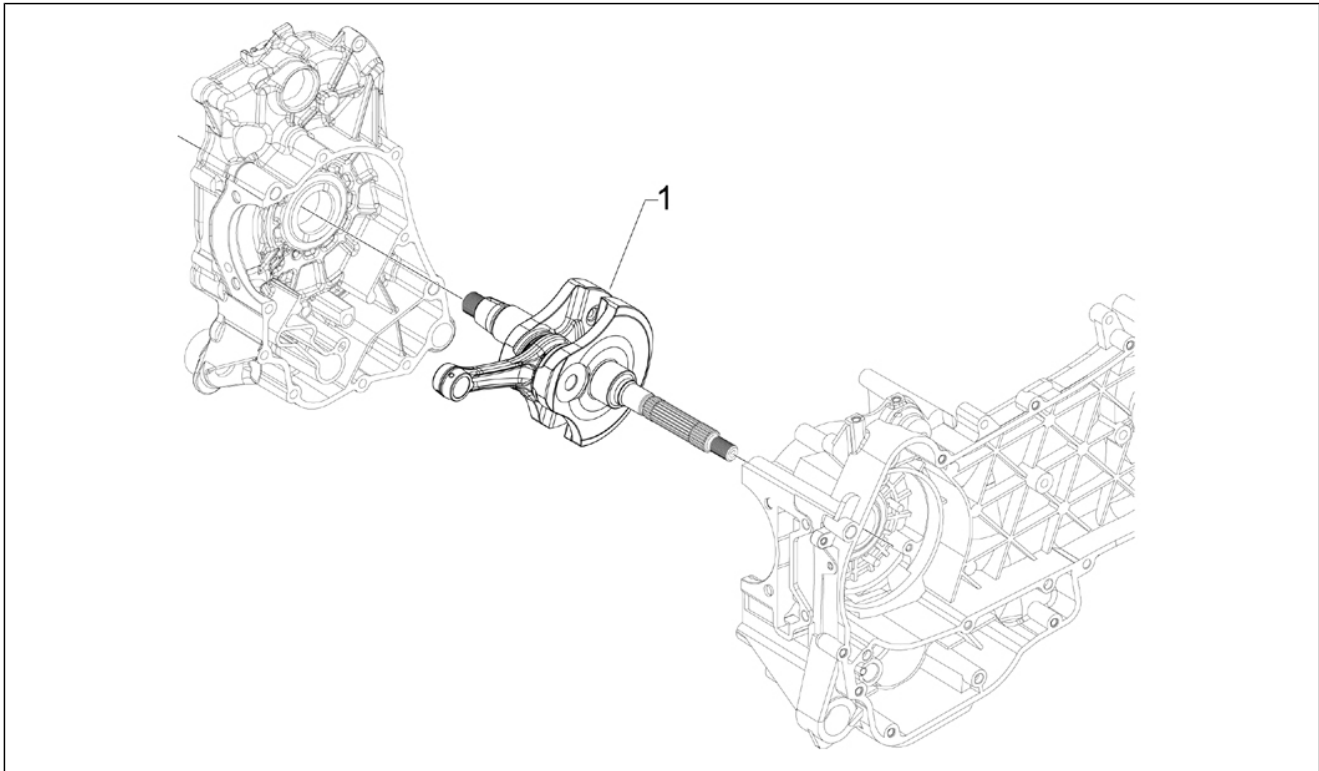
Pos.	Code	Description	Qty	Variants
1	8789555001	Crankcase assembly Cat.1	1	
1	8789555002	Crankcase assembly Cat.2	1	
1	B0172790001	Complete crankcase 1st cat. XL	1	
1	B0172790002	2nd cat. complete crankcase XL	1	
2	877286	Stud bolt	4	
3	411311	Plug M12x1,5	2	
4	239388	Pin 6,5x9,5x15	2	
5	83018R	Radial ball bearing 15x42x13	2	
6	478115	Locating dowel Ø11xØ8,1x10	2	
7	000674	Circlip 25x26.9x1.2	1	
8	83023R	Radial ball bearing	1	
9	82878R	Gasket ring 20-32-7	1	
10	239388	Pin 6,5x9,5x15	2	
11	484034	Nozzle	1	
12	844582	Nozzle D 1.1	1	
13	486081	Silent-block	2	
14	483785	Springs fixing pin	1	
15	484993	Locating dowel	1	
16	018575	Screw M5x10	1	
17	829661	Oil pressure valve	1	
18	485655	Spring	1	
19	483767	Lower oil bulkhead	1	
20	830061	Screw w/ flange M5x16	4	
21	277916	Locating dowel	1	
22	832130	Complete oil level dipstick	1	
23	827085	Gasket ring 14,43x9,19x2,62	1	
24	485047	Upper oil bulkhead	1	
25	845861	Filter door insert	1	

Group	Engine
Code	01.05
Description	Crankcase
Service	1



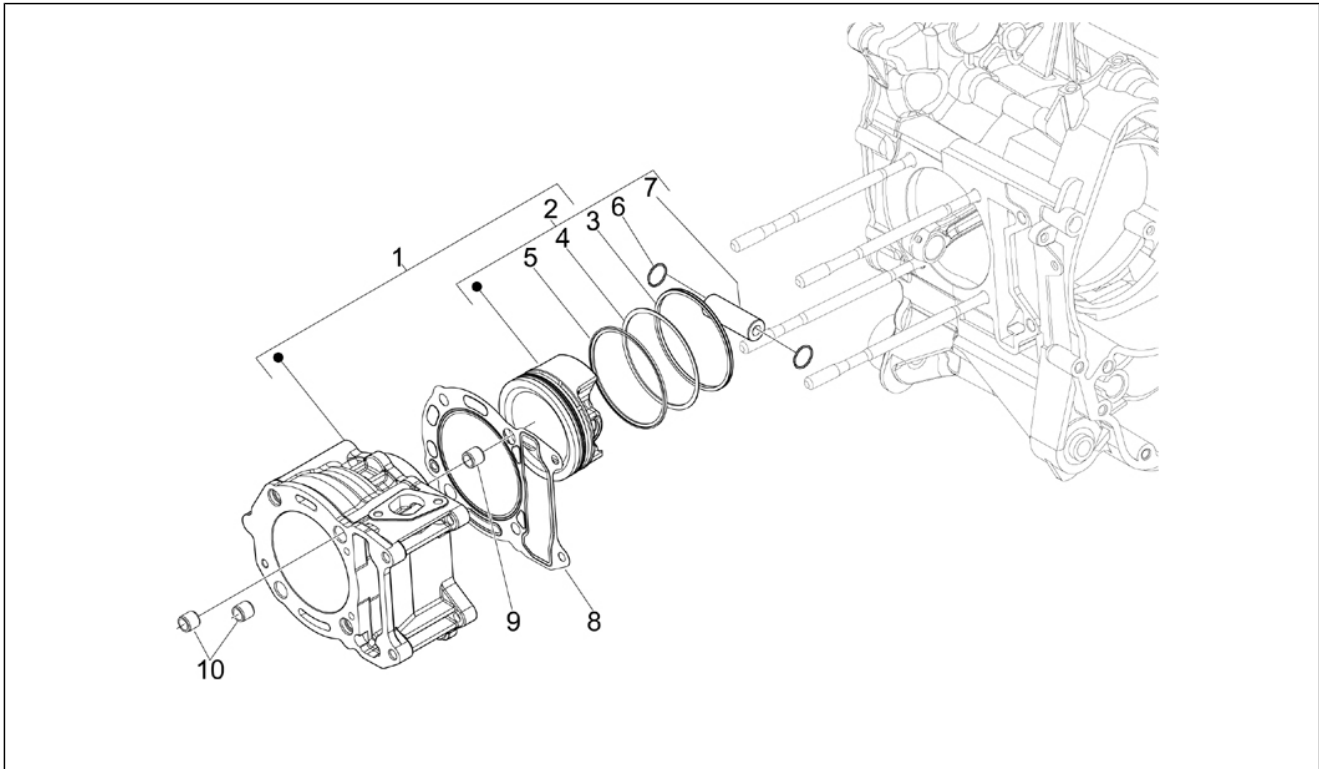
Pos.	Code	Description	Qty	Variants
26	431065	Gasket	1	
27	432142	screw M6x60	10	
28	875111	Gasket	1	

Group	Engine
Code	01.06
Description	Crankshaft
Service	1



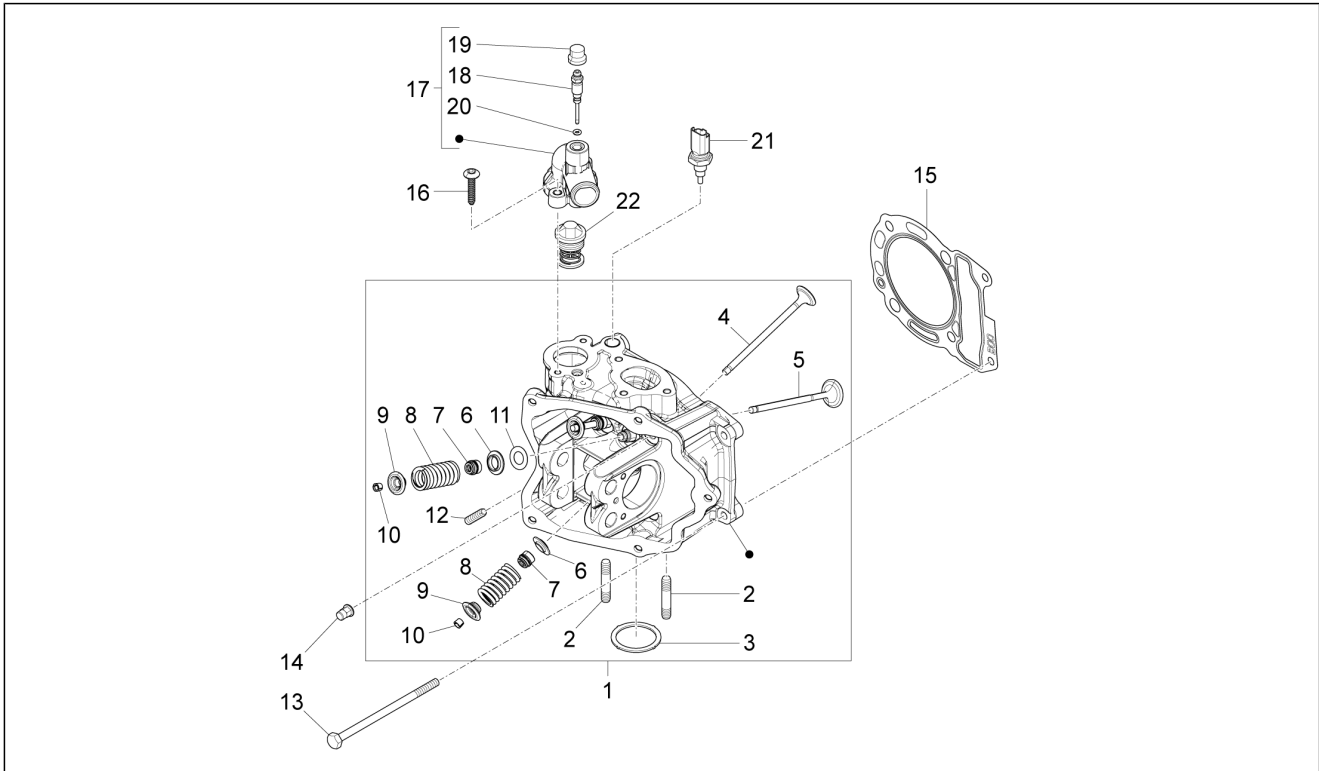
Pos.	Code	Description	Qty	Variants
1	8745635001	Drive shaft Cat.1	1	
1	8745635002	Drive shaft Cat.2	1	

Group	Engine
Code	01.07
Description	Cylinder-piston-wrist pin unit
Service	1



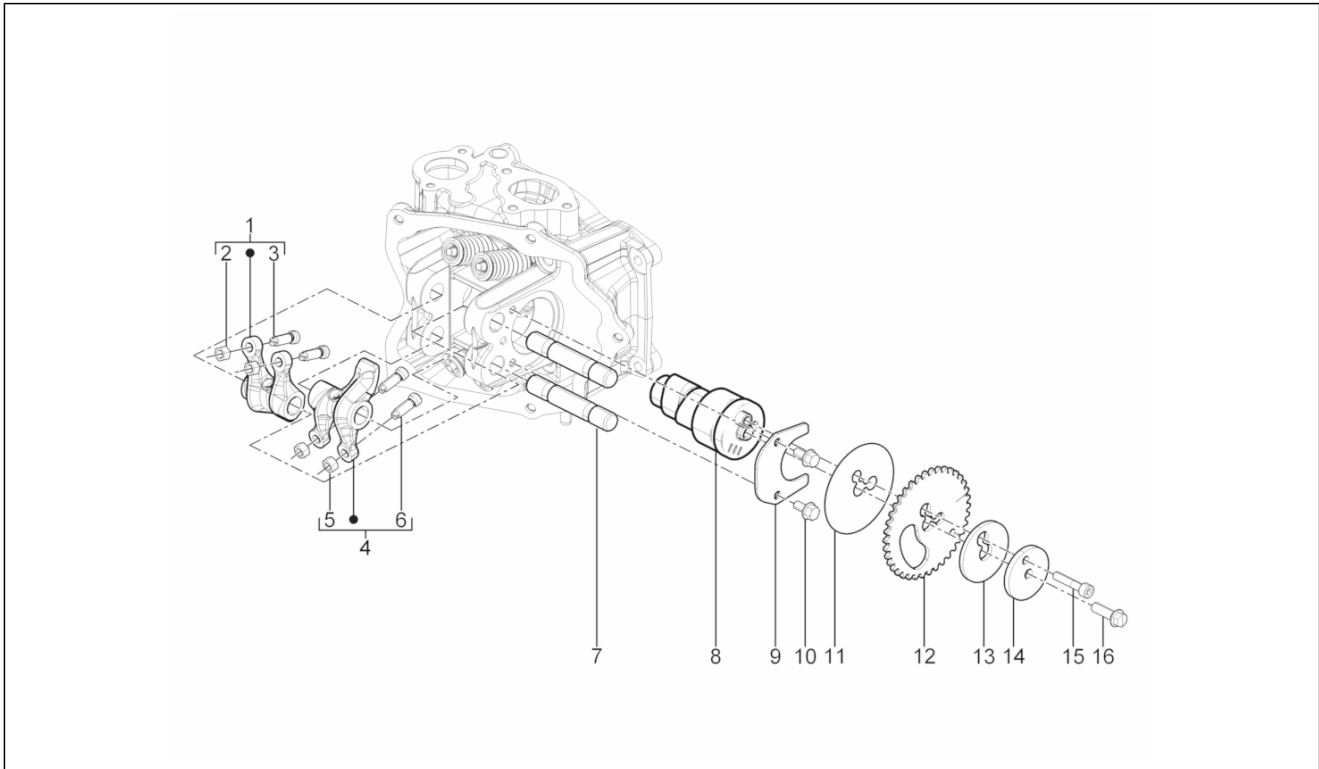
Pos.	Code	Description	Qty	Variants
1	880558	Cylinder-piston-wrist pin assy.	1	
2	8481330001	Piston-wrist pin assy. Cat.A	1	
2	8481330002	Piston + piston pin Cat.B	1	
2	8481330003	Piston + piston pin Cat.C	1	
2	8481330004	Piston + piston pin Cat.D	1	
3	485779	Compression ring d.57x1	1	
4	485914	Oil scraper ring d.57x2,5	1	
5	486362	Oil scraper ring d.57x1	1	
6	963486	Snap ring	2	
7	482335	Piston pin	1	
8	875113	Cylinder base gasket 0,6 mm	1	
8	875114	Cylinder base gasket 0,8 mm	1	
9	277916	Locating dowel	2	
10	478115	Locating dowel $\varnothing 11 \times \varnothing 8,1 \times 10$	2	

Group	Engine
Code	01.10
Description	Head unit - Valve
Service	1



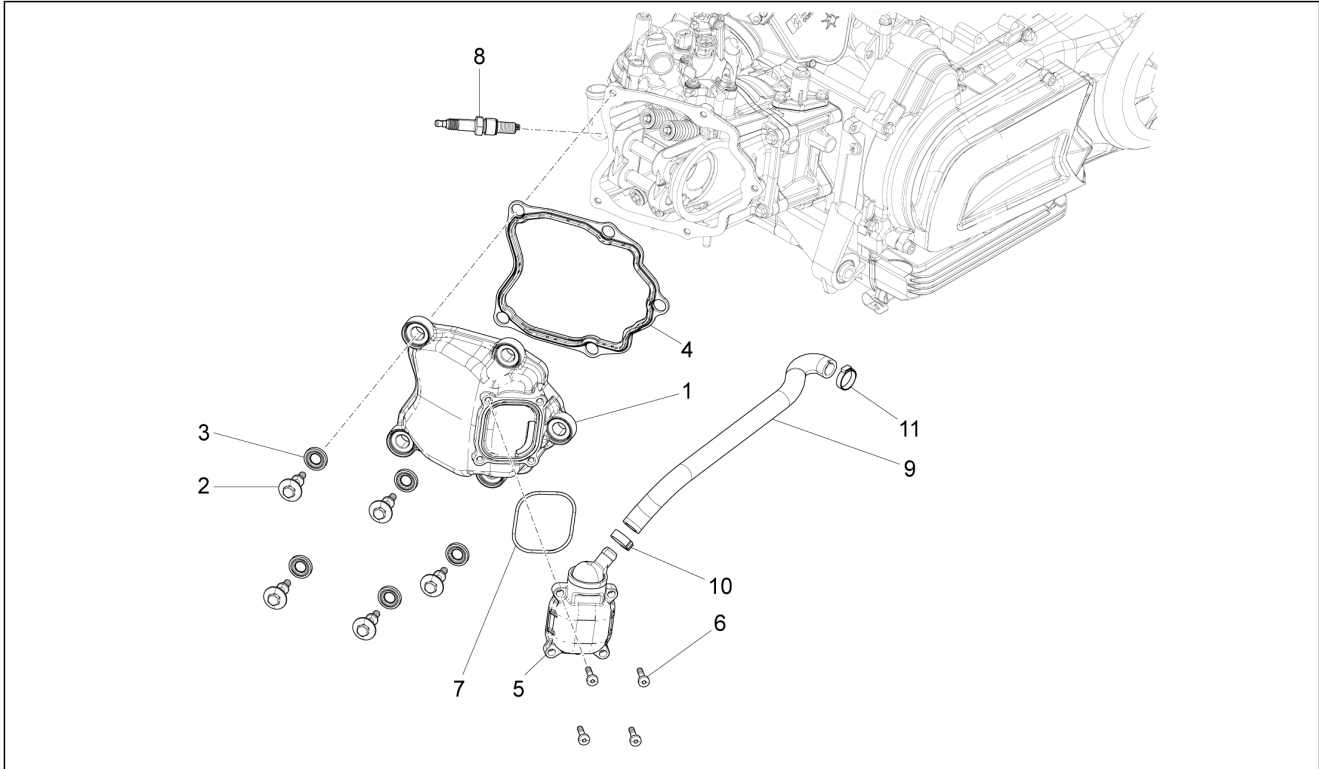
Pos.	Code	Description	Qty	Variants
1	B0161175	Cylinder head assembly	1	
1	B019386	Cylinder head assembly	1	
2	435629	Stud bolt M7	2	
3	480853	Exhaust pipe gasket	1	
4	873114	Exhaust valve	2	
5	872999	Intake valve	2	
6	483711	Lower cap	4	
7	436438	Valve gasket ring	4	
8	875140	Valve spring	4	
9	483914	Upper cap	4	
10	285846	Valve half-cone	8	
11	CM159801	Spacer washer 0,4 mm	0.33	
11	CM159802	Spacer washer 0,8 mm	0.33	
11	CM159803	Spacer washer 1,2 mm	0.33	
12	877432	Plug	1	
13	485603	Screw w/ flange	2	
14	832870	Cap nut	4	
15	876625	Cylinder head gasket 0,3 mm	1	
16	845753	Hex socket screw M5x20	2	
17	B013477	Thermostat cover	1	
17	B018147	Thermostat cover	1	
18	845605	Bleed screw	1	
19	063435	Bleed valve cap	1	
20	297027	Gasket	1	
21	640485	Temperature gauge	1	
22	82831R	Thermostat	1	

Group	Engine
Code	01.11
Description	Rocking levers support unit
Service	1



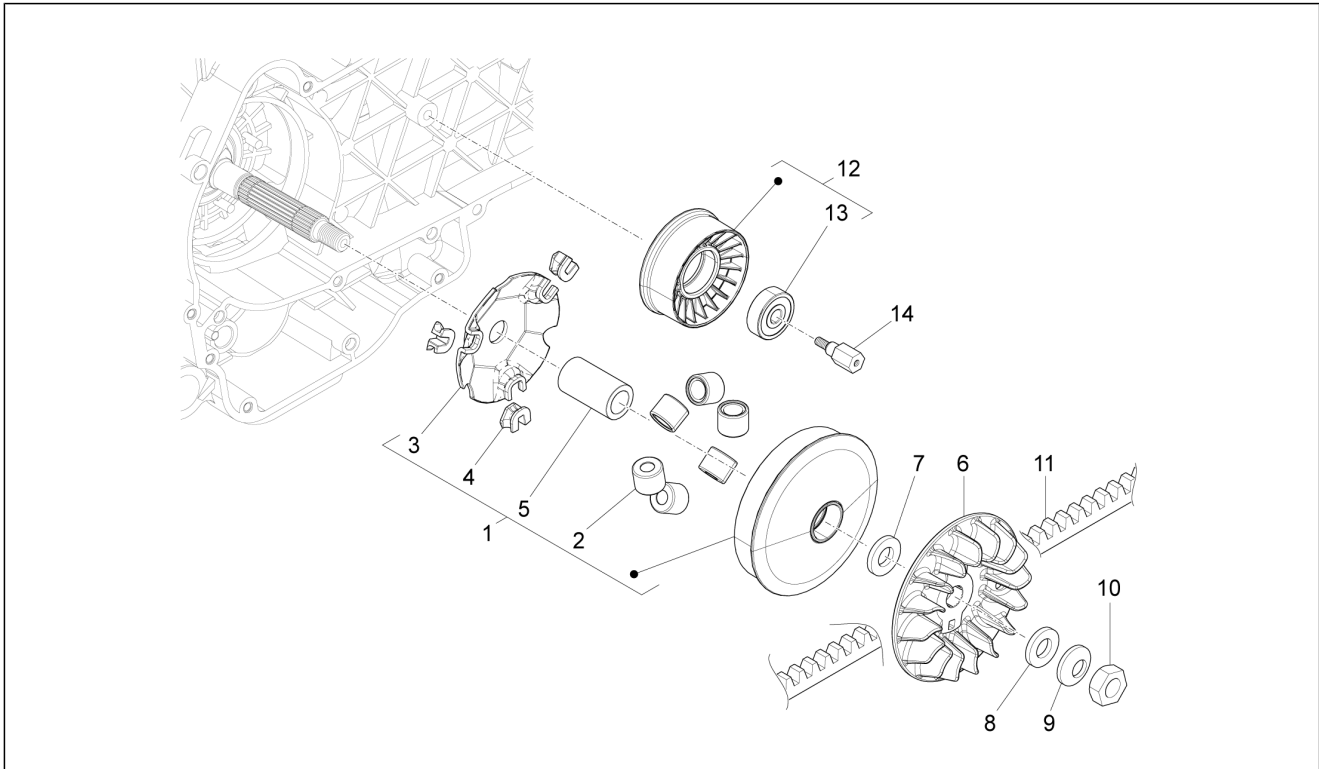
Pos.	Code	Description	Qty	Variants
1	B0184835	Complete intake side rocker	1	
1	B019352	Intake cpl. rocker	1	
2	484819	Nut	2	
2	879916	Rocker arm adjuster nut	2	
3	82817R	Adjuster screw	2	
4	B0184845	Complete exhaust side rocker	1	
4	B019354	Exhaust cpl. rocker	1	
5	484819	Nut	2	
5	879916	Rocker arm adjuster nut	2	
6	82817R	Adjuster screw	2	
7	486343	Rocker arms axis	2	
8	1A000610R5	Camshaft	1	
8	8751215	Camshaft	1	
9	877309	Camshaft plate	1	
10	484123	Screw w/ flange	2	
11	487832	Washer	1	
11	877310	Washer	1	
12	B014970	Timing system gear	1	
13	830447	Plain washer	1	
14	830446	Plain washer	1	
15	018639	Hex screw M6x20	1	
16	486972	Hex socket screw M5x25	1	

Group	Engine
Code	01.12
Description	Cylinder head cover
Service	1



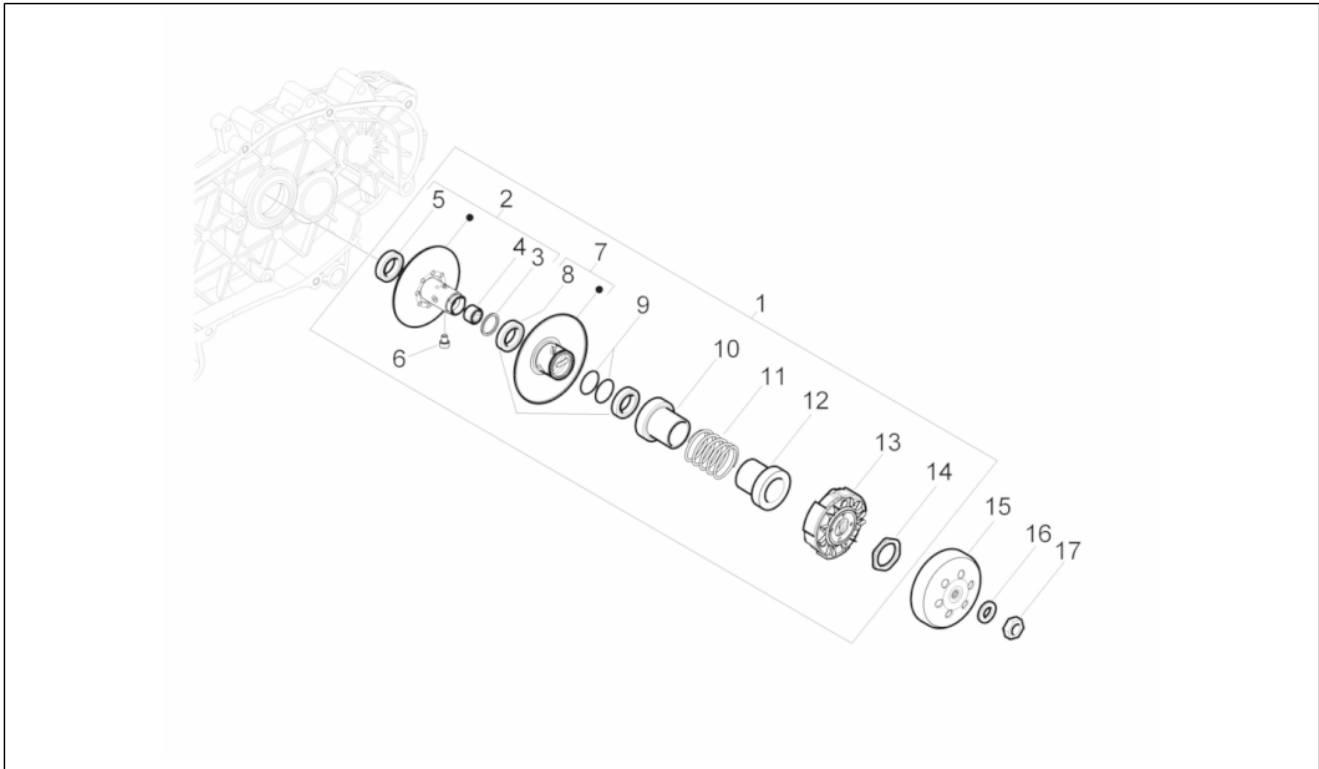
Pos.	Code	Description	Qty	Variants
1	829534	Head cover	1	
2	872635	Special screw	5	
3	830249	Damper drift	5	
4	829536	Head cover gasket	1	
5	828421	Oil breather valve	1	
6	877136	Self tapping screw M5x20	4	
7	487989	Gasket	1	
8	639687	Spark plug CR8EKB	1	
9	848976	Engine oil breather pipe	1	
10	CM001904	Hose clamp	1	
11	CM001904	Hose clamp	1	

Group	Engine
Code	01.13
Description	Driving pulley
Service	1



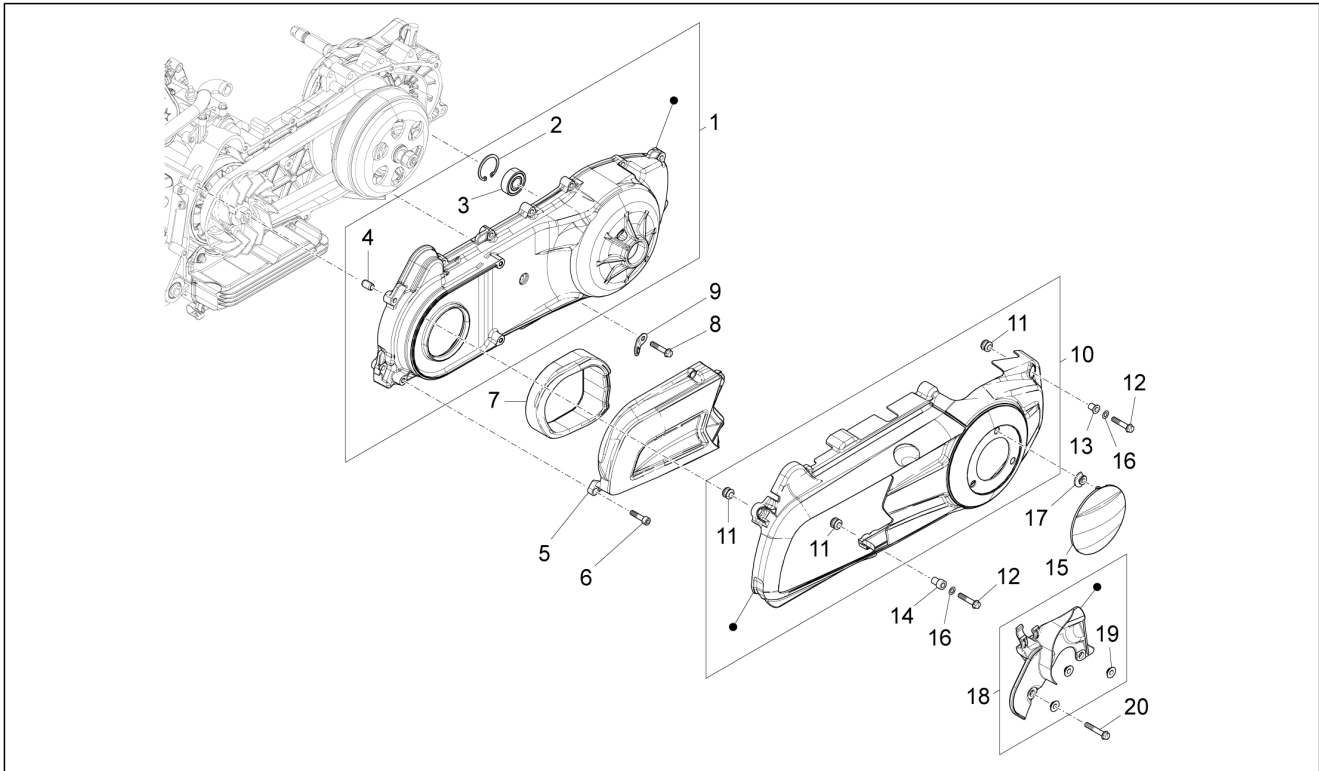
Pos.	Code	Description	Qty	Variants
1	CM144403	Half-pulley assy., driving	1	
2	CM1038045	6 rollers kit 7,4 g	6	
3	842204	Roller contrast	1	
4	4348555	Sliding block	3	
5	483889	Spacer	1	
6	876921	Fixed driving half pulley	1	
7	831363	Plain washer	1	
8	840533	Flat washer 12.1x36x2	1	
9	880950	Belleville spring	1	
10	486324	Nut M12x1.25	1	
11	842009	V-belt	1	
12	833989	Toothed pulley	1	
13	82843R	Bearing	1	
14	829326	Special screw	1	

Group	Engine
Code	01.14
Description	Driven pulley
Service	1



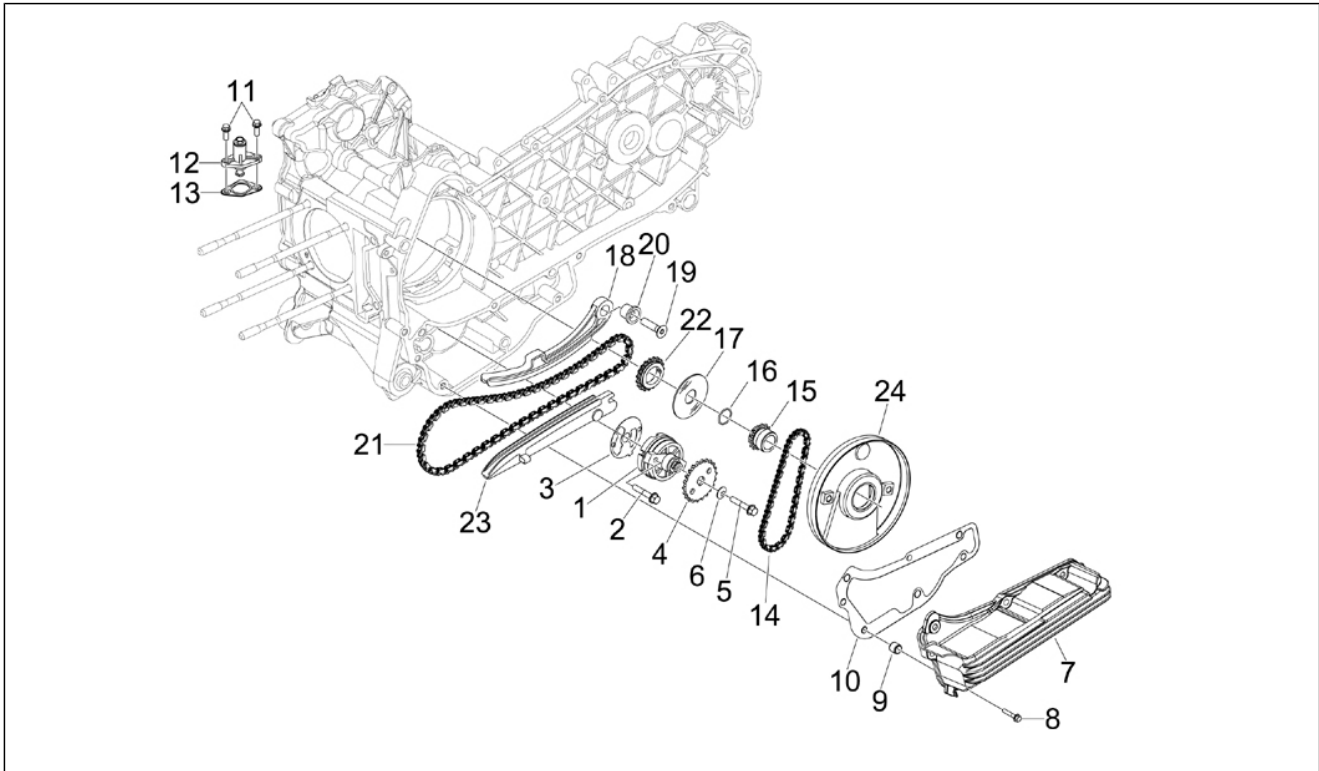
Pos.	Code	Description	Qty	Variants
1	CM162408	Clutch driven pulley assy.	1	
2	830580	Fixed driven half pulley	1	
3	483226	Snap ring	1	
4	82518R	Roller cage 20x29x18	1	
5	82753R	Bearing 17x30x7	1	
6	828717	Guide pin L=12,5	4	
7	879002	Adjustable pulley, half	1	
8	431089	Gasket ring	2	
9	430585	Gasket	2	
10	4310935	Pulley side cap	2	
11	B013107	Variator spring	1	
12	487936	Clutch side cap	1	
13	B013246	Centrifugal clutch assembly	1	
14	433232	Ring nut	1	
15	8440494	Clutch drum	1	
16	274246	Flat washer 22x12,1x1	1	
17	486324	Nut M12x1.25	1	

Group	Engine
Code	01.15
Description	Crankcase cover - Crankcase cooling
Service	1



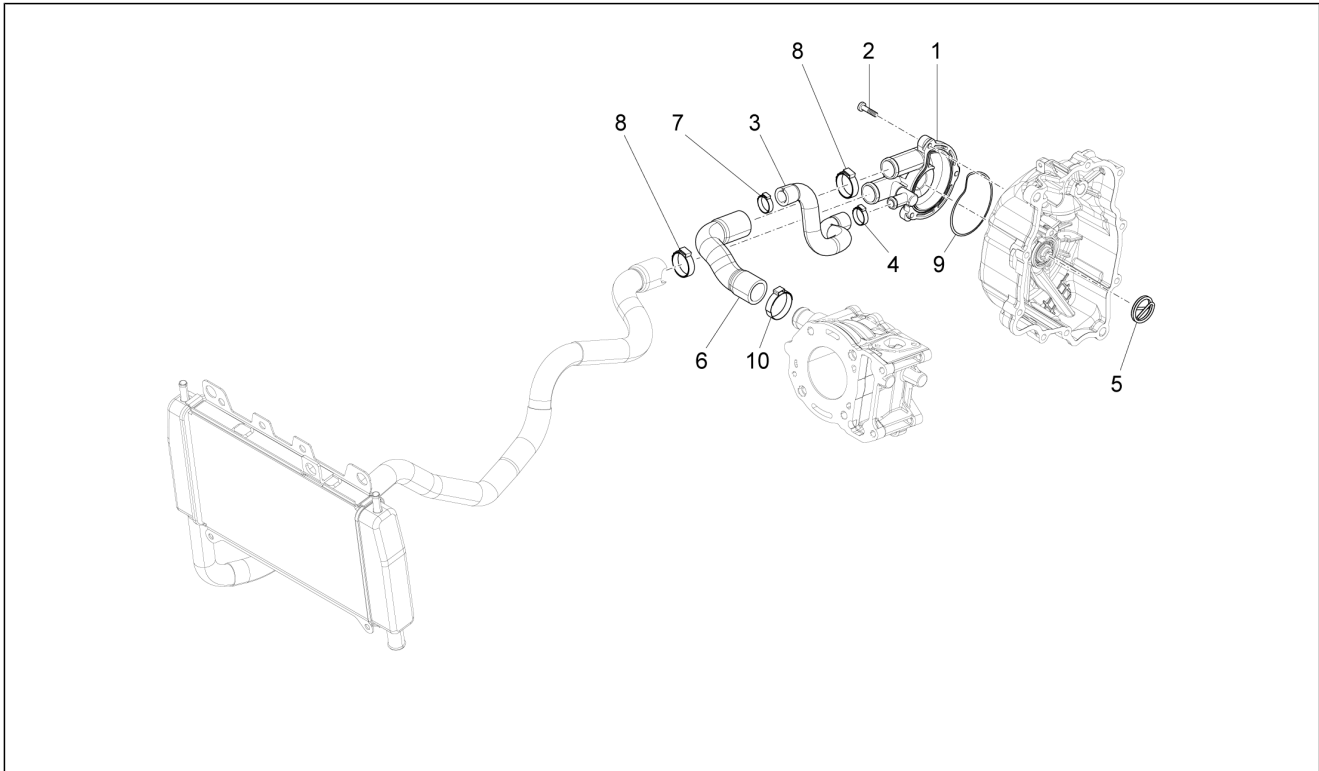
Pos.	Code	Description	Qty	Variants
1	8778435	Complete transmission cover	1	
2	006635	Snap ring	1	
3	478985	Bearing	1	
4	239388	Pin 6,5x9,5x15	2	
5	876075	Cooling Cover	1	
6	018553	screw M6x25	3	
7	875701	Filtering element	1	
8	289731	Screw w/ flange M6x30	7	
9	844964	Hose clamp	1	
10	877845	Transmission soundproofing cover	1	
11	431578	Pad	3	
12	430207	screw M6x50	3	
12	B016775	Screw w/ flange M6x50	3	
13	431577	Spacer	1	
14	876413	Spacer	2	
15	CM155109	Transmission cover	1	
16	013777	Washer 6.4x13x1.5	3	
17	871458	Retainer buffer	3	
18	672115	Duct bulkhead	1	
19	830056	Knurled bushing	3	
20	414838	screw M6x35	1	

Group	Engine
Code	01.18
Description	Oil pump
Service	1



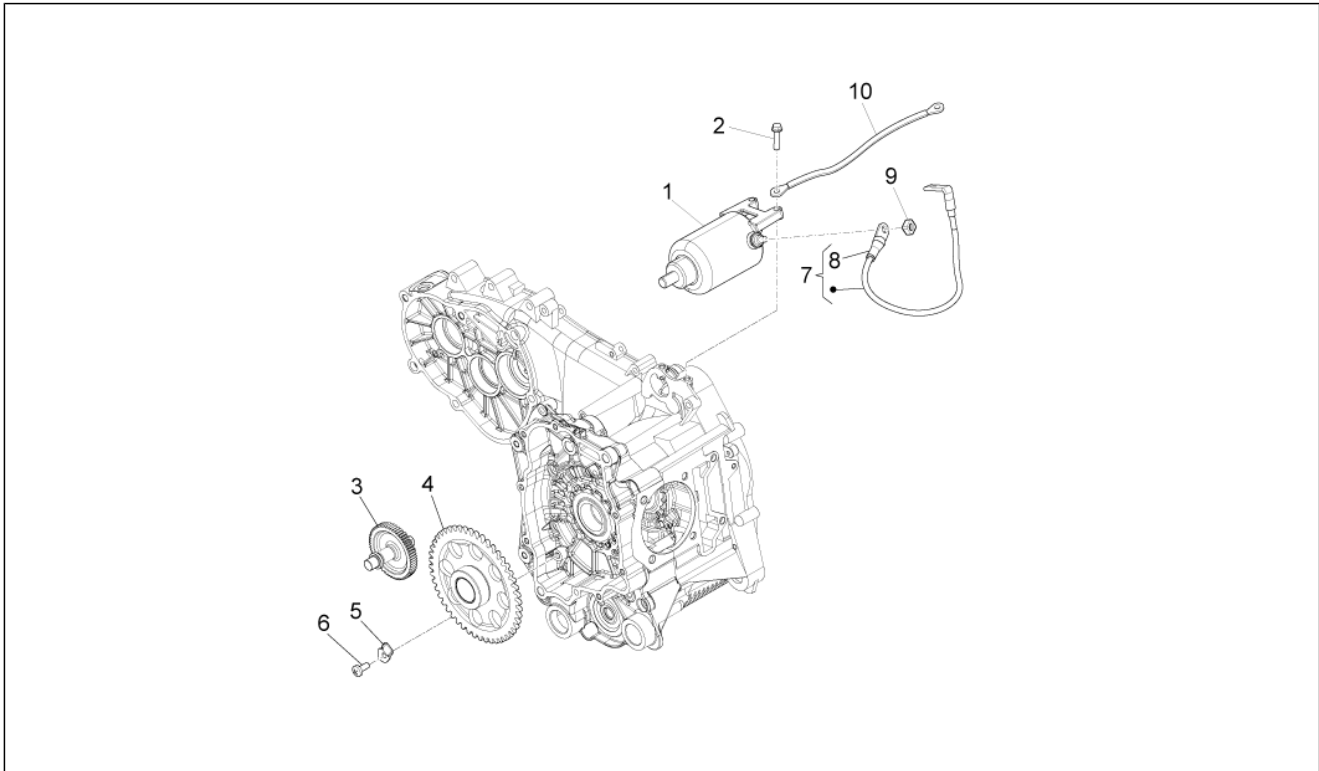
Pos.	Code	Description	Qty	Variants
1	82948R	Oil pump assembly	1	
2	829593	Screw w/ flange M5x35	2	
3	847929	Carter-oil pump gasket	1	
4	287913	Oil pump gear	1	
5	B016426	Screw w/ flange M6x14	1	
6	436695	Belleville spring Ø6,4xØ20x2	1	
7	875908	Pan oil	1	
8	289731	Screw w/ flange M6x30	7	
9	277916	Locating dowel	3	
10	846098	Gasket	1	
11	434541	Screw w/ flange M6x16	2	
12	82650R	Complete chain tensioner	1	
13	847928	Gasket	1	
14	82649R	Oil pump chain	1	
15	82783R	Oil pump control pinion	1	
16	825952	O-Ring seal ring	1	
17	483918	Oil seal washer	1	
18	840510	Chain tensioner rod	1	
19	B016774	Screw w/ flange M6x25	1	
20	485868	Spacer	1	
21	82644R	Camshaft chain	1	
22	82782R	Timing chain pinion	1	
23	828308	Chain tensioner sliding block	1	
24	847116	Timing system cover	1	

Group	Engine
Code	01.19
Description	Cooler pump
Service	1



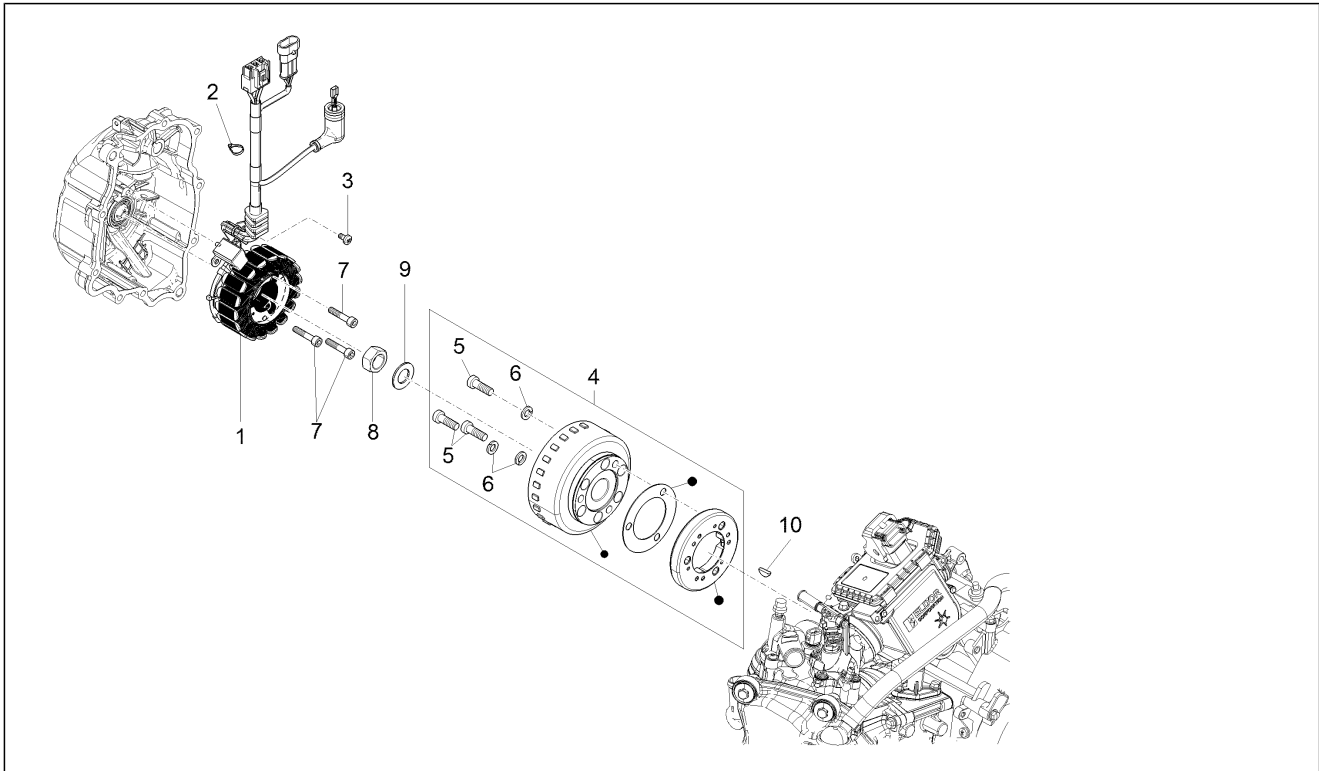
Pos.	Code	Description	Qty	Variants
1	877528	Water pump cover	1	
2	828662	Screw M5x22	3	
3	878940	By-pass pipe	1	
4	CM001904	Hose clamp	1	
5	842390	Drive key	1	
6	878666	Pump-cylinder hose	1	
7	CM001904	Hose clamp	1	
8	CM001922	Hose clamp	2	
9	485080	O-ring	1	
10	CM001917	Hose clamp	1	

Group	Engine
Code	01.20
Description	Stater - Electric starter
Service	1



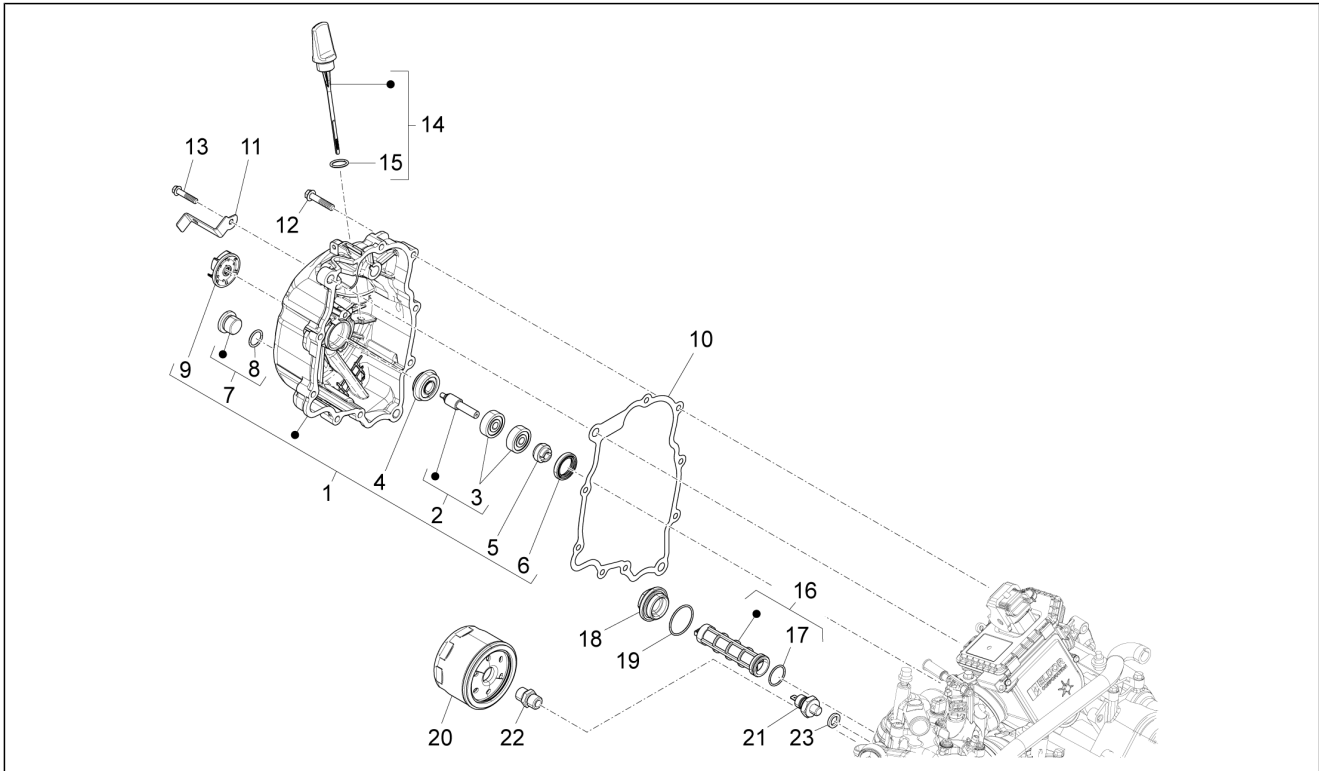
Pos.	Code	Description	Qty	Variants
1	58218R	Starter motor	1	
2	B016774	Screw w/ flange M6x25	2	
3	874803	Electric starter gear	1	
4	82737R	Starter motor gear	1	
5	1A000235	Ring container lamination	1	
5	848724	Ring container lamination	1	
6	008375	screw M6x14	1	
7	643360	Starter cable	1	
8	581061	Cap	1	
9	9004179059000	Nut	1	
10	581424	Ground cable	1	

Group	Engine
Code	01.21
Description	Flywheel magneto
Service	1



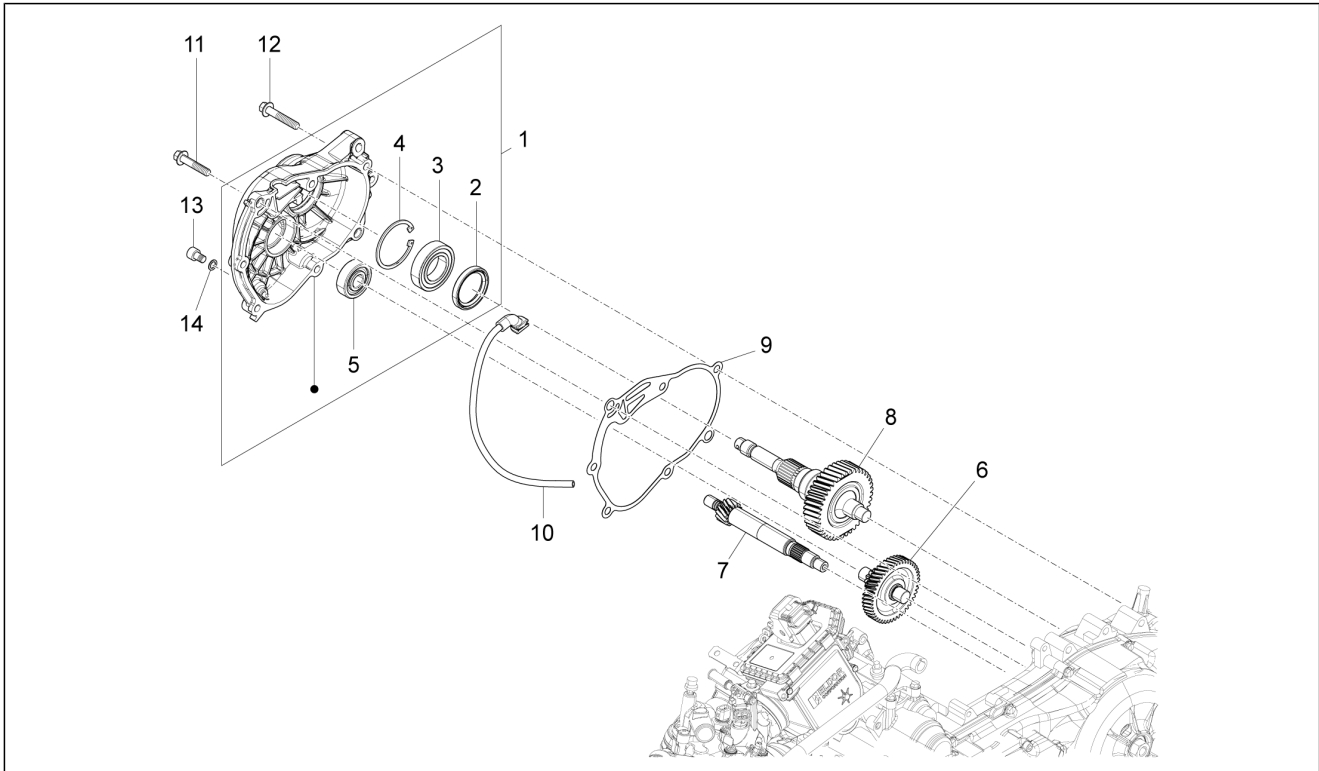
Pos.	Code	Description	Qty	Variants
1	58224R	Stator	1	
2	640879	Hose clamp 2,7x132	1	
3	015585	Self-tapping screw M5x12	2	
4	58226R	Complete freewheel rotor	1	
5	874927	Low head socket screw	3	
6	016408	Spring washer 13,75x8,15x4,5	3	
7	597564	screw	3	
8	82952R	Special nut	1	
9	842385	Plain washer	3	
10	000097	Transmission key	1	

Group	Engine
Code	01.23
Description	Flywheel magneto cover - Oil filter
Service	1



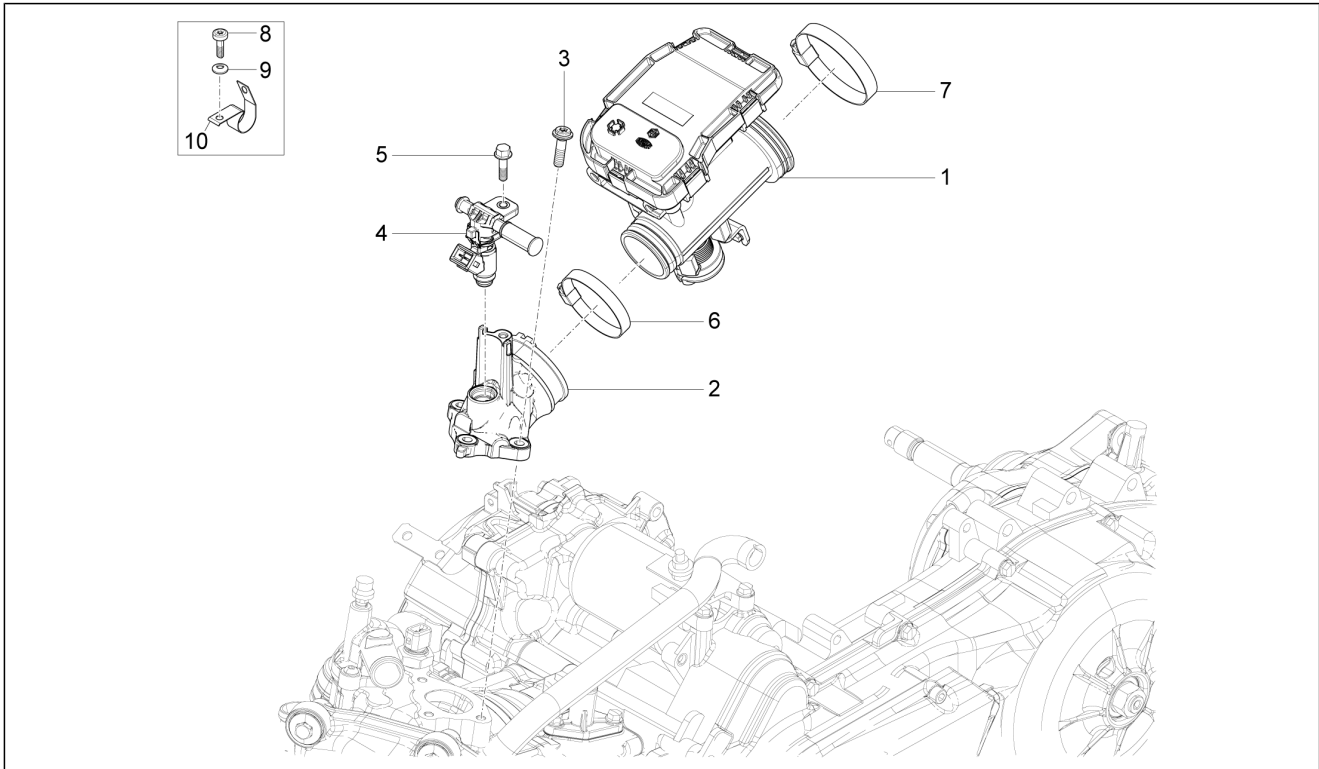
Pos.	Code	Description	Qty	Variants
1	B0148885	Complete flywheel cover	1	
2	8447595	Water pump shaft assy.	1	
3	82755R	Bearing 28x8x9	2	
4	82991R	Gasket ring	1	
5	842389	Pump impeller drive key	1	
6	82897R	Gasket ring 20x30x5	1	
7	8290405	Timing plug assembly	1	
8	479986	O-ring	1	
9	844730	Water pump impeller cpl.	1	
10	840504	Flywheel housing cover gasket	1	
11	643412	Lambda probe plate	1	
12	414838	screw M6x35	9	
13	844160	screw	1	
14	879081	Oil dipstick	1	
15	479986	O-ring	1	
16	843568	Intake oil filter	1	
17	288474	O-ring 20,35x1,78	1	
18	826165	Oil filter plug	1	
19	285536	O-ring 31,47x1,78	1	
20	82635R	Oil filter	1	
21	641541	Oil pressure sensor	1	
22	840507	Oil filter special screw	1	
23	AP9150472	Washer 10,5x17x1,5	1	

Group	Engine
Code	01.25
Description	Reduction unit
Service	1



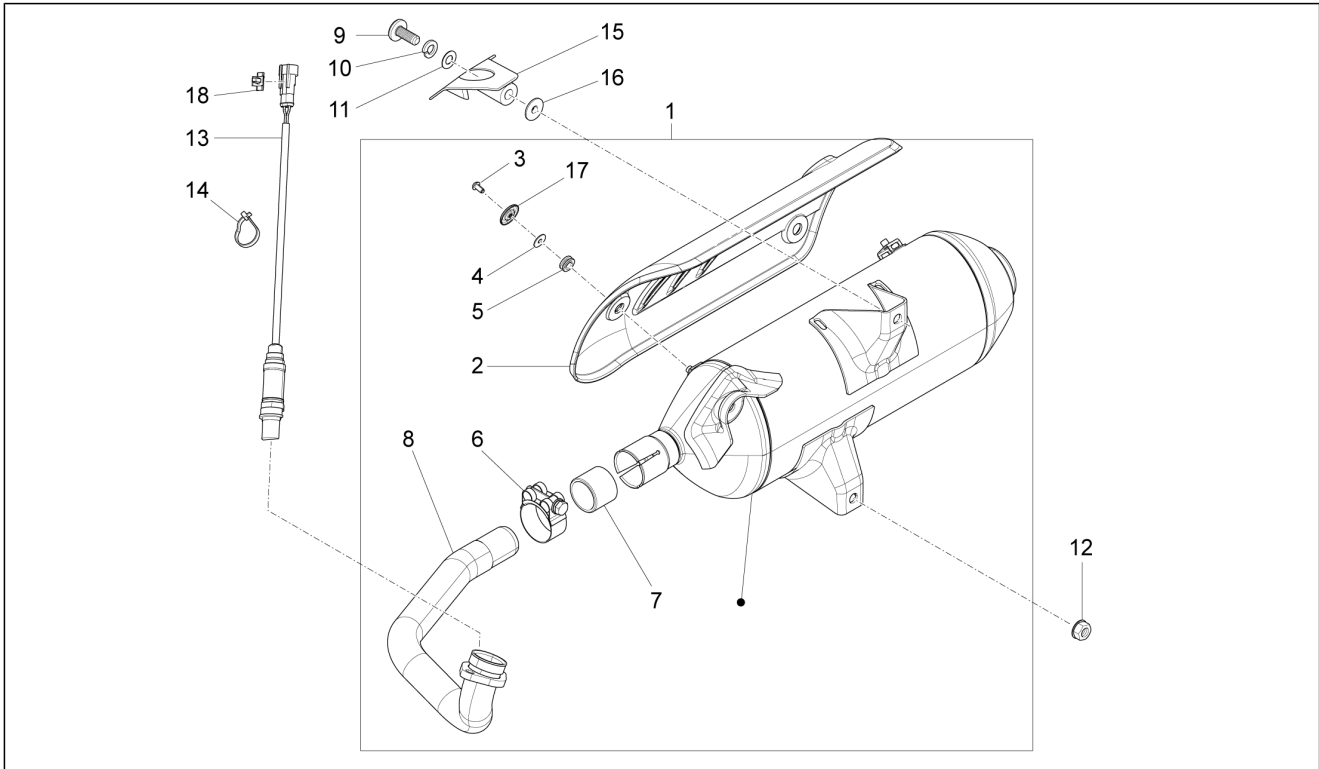
Pos.	Code	Description	Qty	Variants
1	8481875	Side cover	1	
2	873351	Oil seal 38x50x7	1	
3	83034R	Radial bearing 30x55x13	1	
4	829206	Circlip	1	
5	83018R	Radial ball bearing 15x42x13	1	
6	8753065	Transmission shaft	1	
7	8738755	Driven pulley shaft Z=14	1	
8	B0160795	Rear wheel axle	1	
8	B0168945	Rear wheel axle with U.P.	1	
9	847931	Gasket	1	
10	CM162201	Reduction unit breather pipe assembly	1	
11	B016806	Screw w/ flange M8x40	1	
12	487211	Screw w/ flange M8x45	6	
12	B016805	Screw w/ flange M8x45	6	
13	269755	Hex socket screw M8x12	1	
14	485703	Washer 8.2x12x1	1	

Group	Engine
Code	01.36
Description	Throttle body - Injector - Union pipe
Service	1



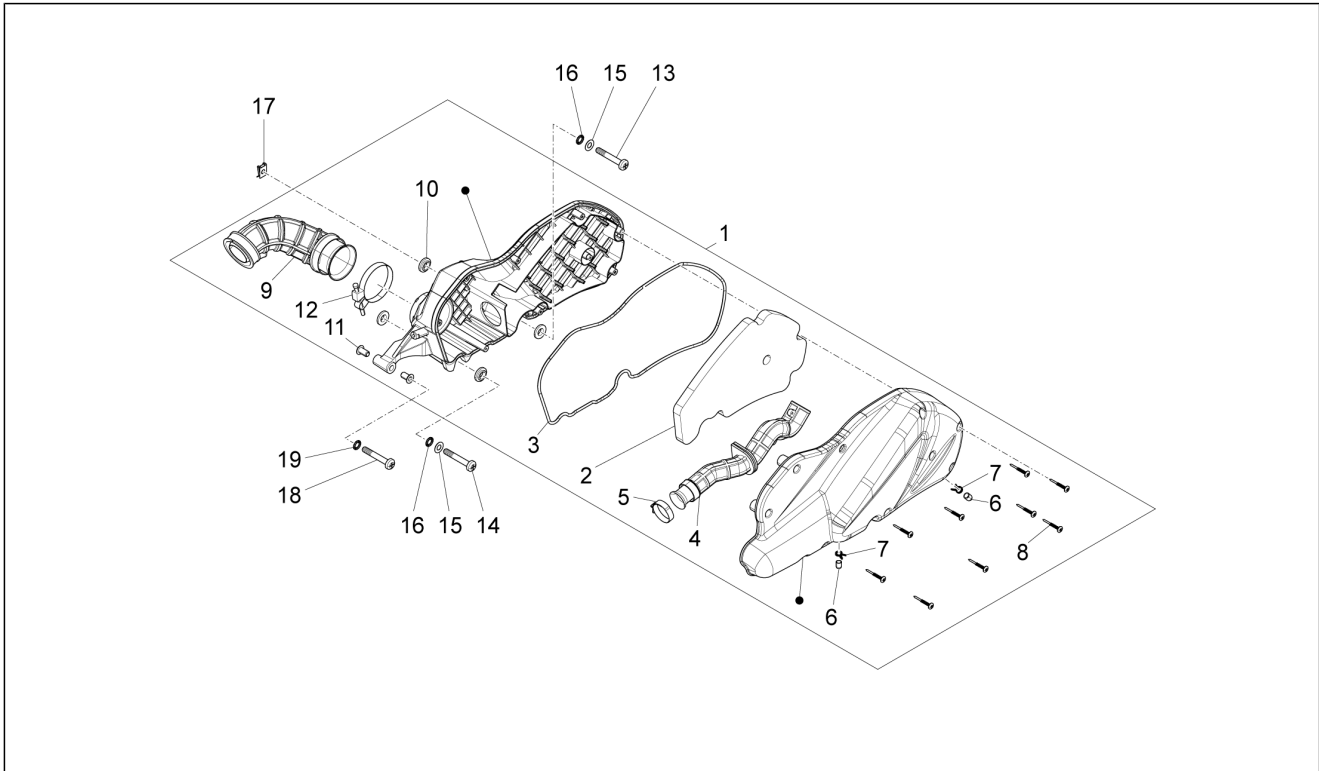
Pos.	Code	Description	Qty	Variants
1	CM084826	Throttle body with electronic control unit	1	
2	875694	Union pipe	1	
3	828152	screw M6x22	3	
4	B0130545	Injector complete with support	1	
5	872269	Screw w/ flange M5x20	1	
6	709532	Hose clamp	1	
7	260918	Hose clamp	1	
8	642044	Metallic clamp	1	
9	873653	Screw M5x15	1	
10	012528	Washer	1	

Group	Engine
Code	01.42
Description	Silencer
Service	1



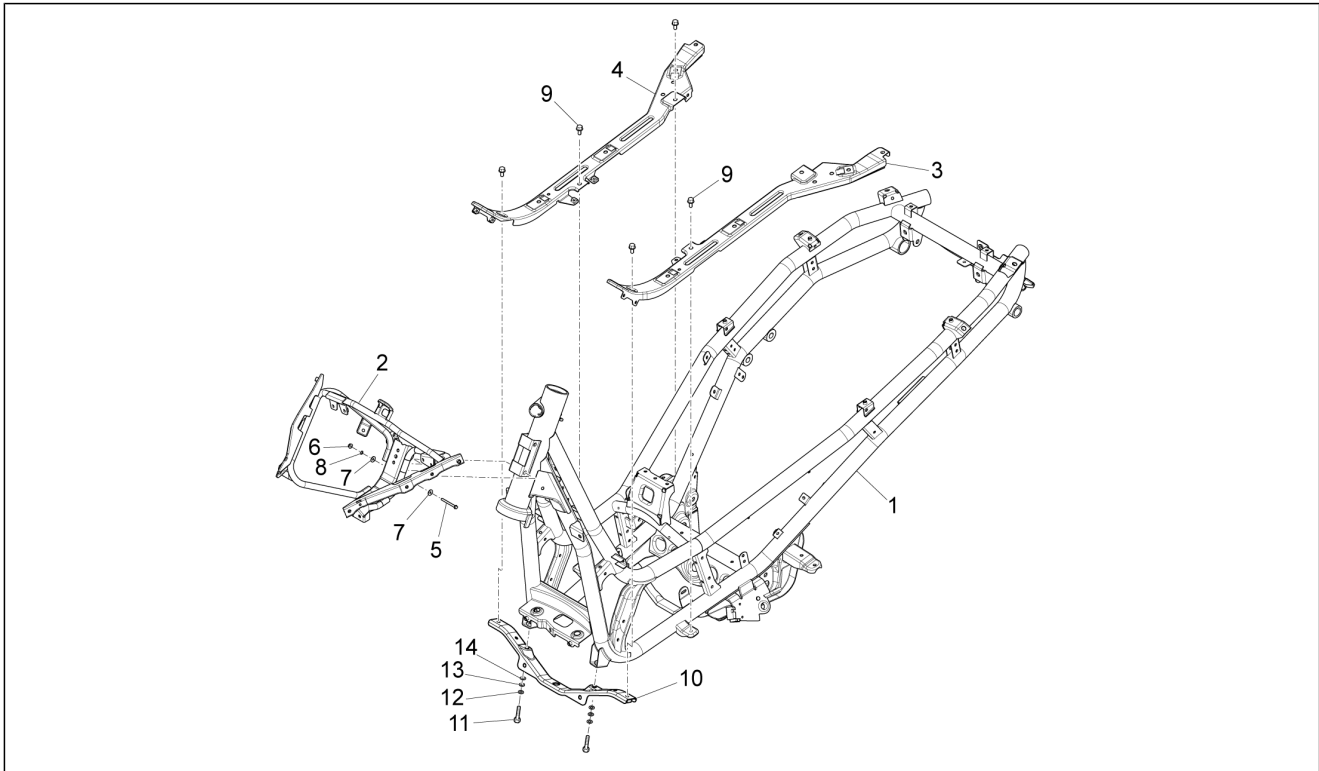
Pos.	Code	Description	Qty	Variants
1	B0153485	Silencer complete with protection	1	
2	877076	Protection	1	
3	842908	screw M5x10	3	
4	827526	Flat washer	3	
5	487665	Fairlead	3	
6	82789R	Hose clamp	1	
7	8263885	Graphite bushing	1	
8	B016086	Exhaust manifold	1	
9	599208	Hex screw M8x30	3	
10	834187	Spring washer 16x8,2x2,2	3	
11	848452	Flat washer 19,3x8,2x2,5	3	
12	436947	Nut	2	
13	639806	Lamda sensor	1	
14	145298	Lock-strap L=180mm	1	
15	AP8119925	Cover	1	
16	873450	Spacer	1	
17	482282	Bowl	3	
18	639560	Spring for connector	1	

Group	Engine
Code	01.45
Description	Air filter
Service	1



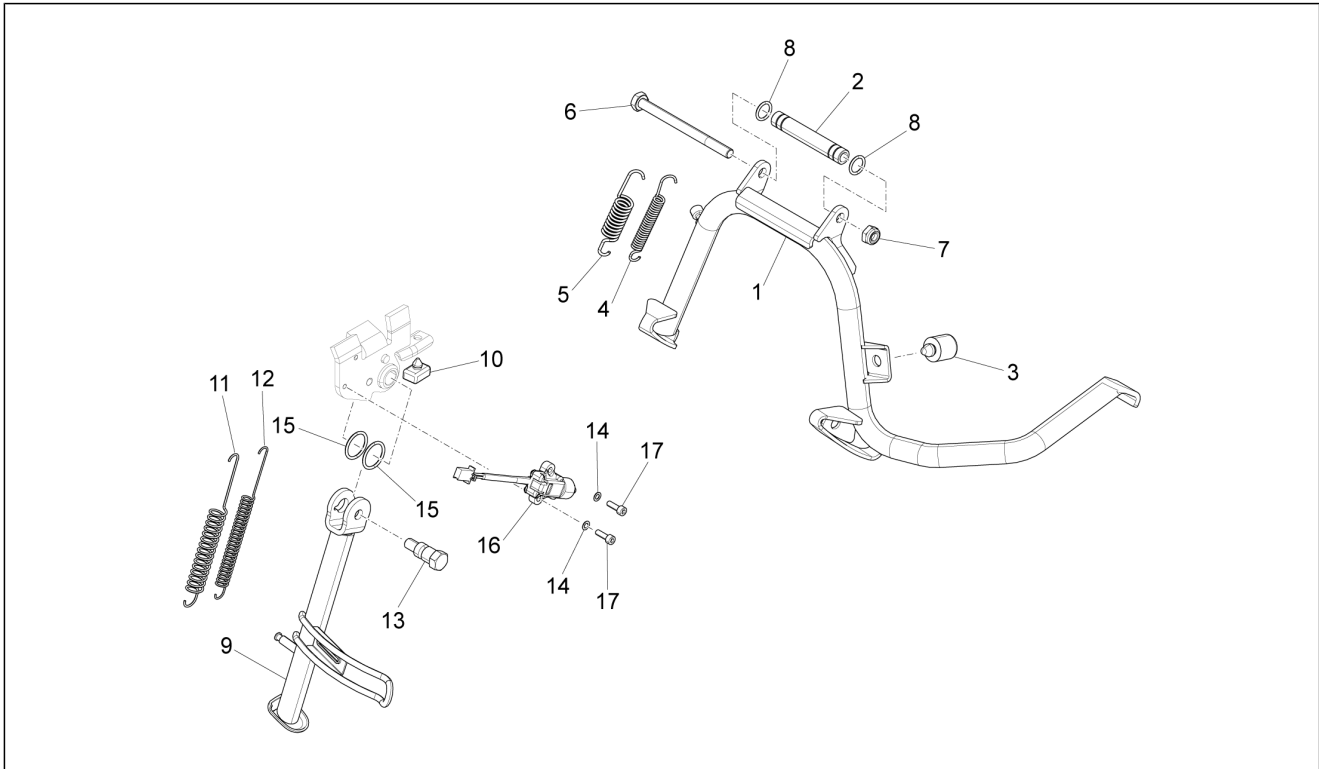
Pos.	Code	Description	Qty	Variants
1	B017213	Complete air cleaner box	1	
2	829258	Air filter	1	
3	829259	Filter cover gasket	1	
4	845996	Air cleaner/vehicle sleeve	1	
5	830015	Hose clip 35-33	1	
6	827831	Cap	2	
7	CM002910	Hose clamp	2	
8	258146	Self-tap screw M3x20	6	
9	876317	Intake hose	1	
10	830056	Knurled bushing	4	
11	830057	Bushing	2	
12	260918	Hose clamp	1	
13	272624	screw M6x40	1	
14	018640	Special cap screw M6x50	2	
15	003056	Flat washer 6,4x12x1	2	
16	012533	Notched washer 6,6x11x0	2	
17	254485	Spring plate M6	2	
18	259988	Screw m6x55	1	
19	012533	Notched washer 6,6x11x0	1	

Group	Frame - Plastic parts - Coachwork
Code	02.01
Description	Frame/bodywork
Service	1



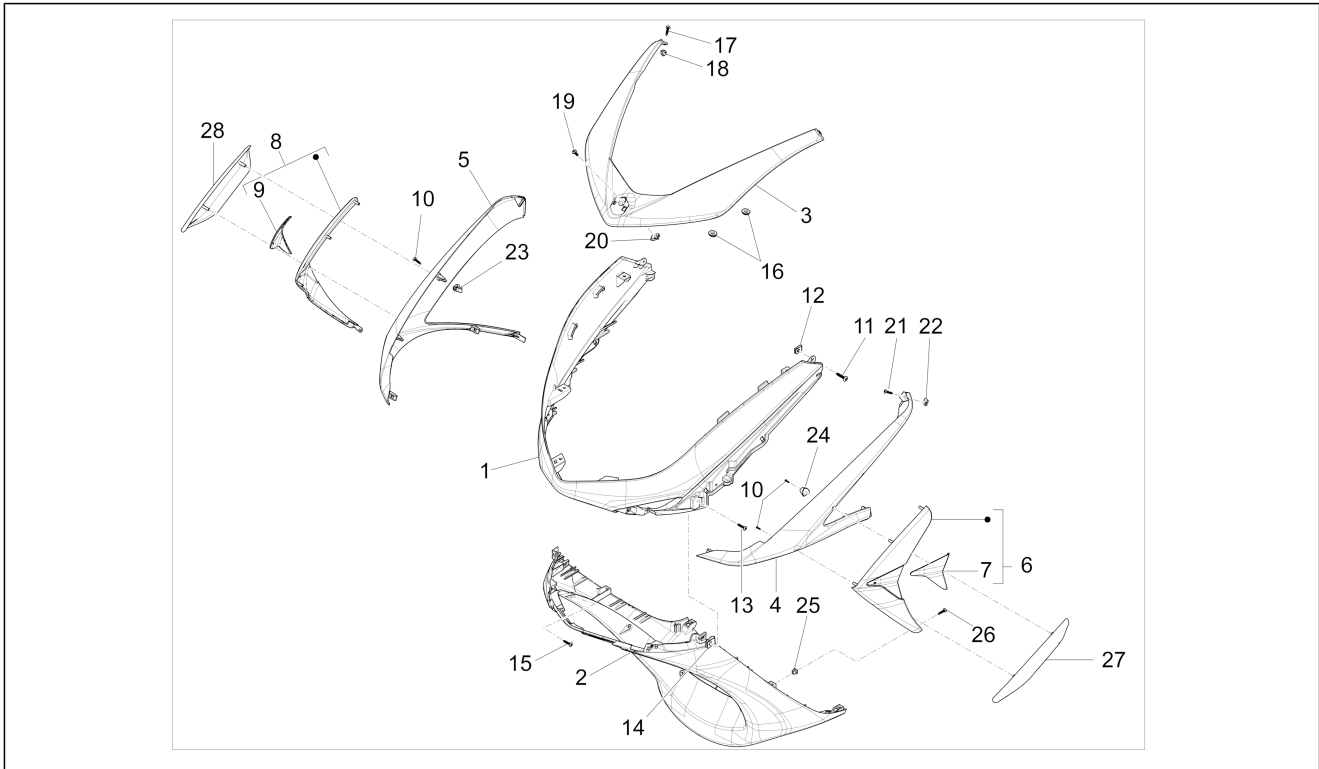
Pos.	Code	Description	Qty	Variants
1	6727335	Not available	1	
2	6756205	Front sub-chassis with U.P.	1	
3	6752555	Left footrest support cross pin with u.p.	1	
4	6746715	Footrest support with i.p. right cross pin	1	
5	B016425	Screw w/ flange M6x60	2	
6	969224	Nut	2	
7	013950	Washer 6,2x18x2	4	
8	012533	Notched washer 6,6x11x0	2	
9	436788	Screw w/ flange	5	
10	6734195	Pipes connection cross pin	1	
11	031120	screw	2	
12	016408	Spring washer 13,75x8,15x4,5	2	
13	003038	Flat washer 8,4x18x2	2	
14	709012	Washer	2	

Group	Frame - Plastic parts - Coachwork
Code	02.25
Description	Stand/s
Service	1



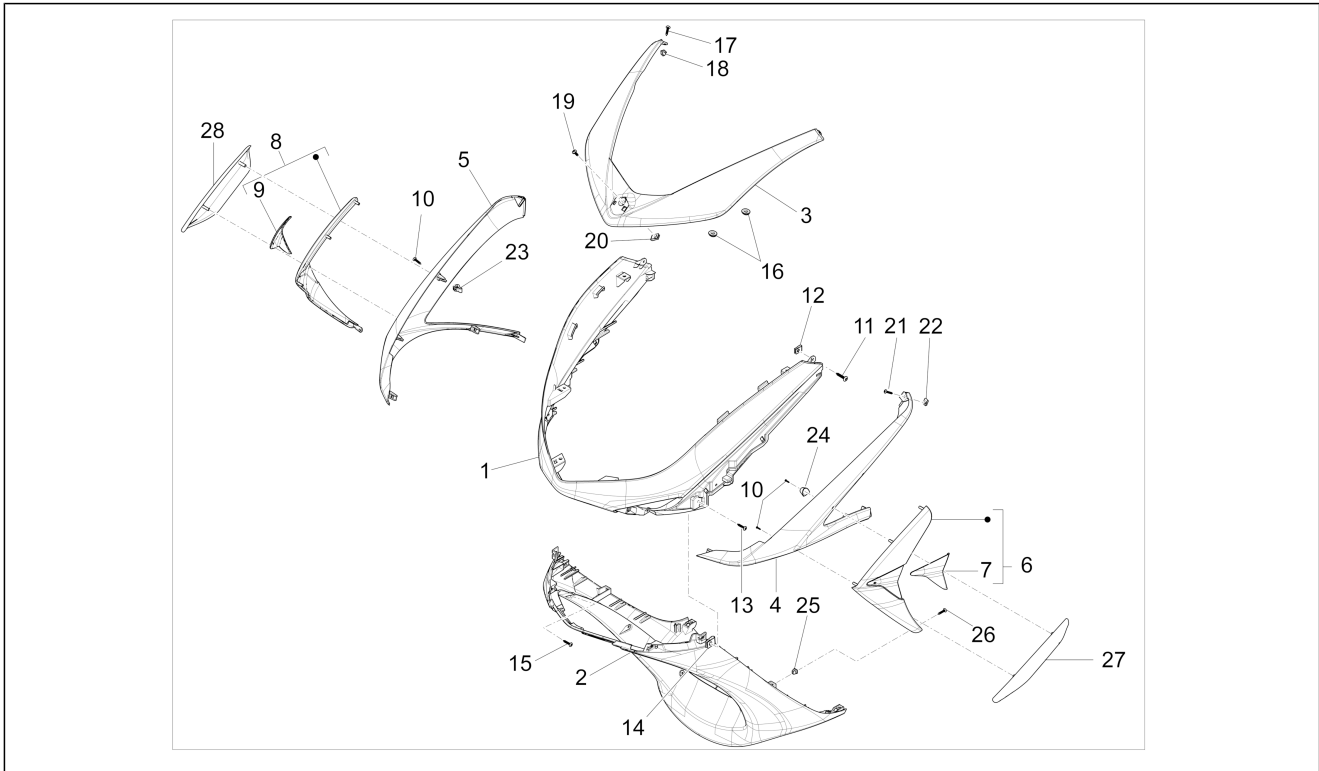
Pos.	Code	Description	Qty	Variants
1	668434	Centre stand with I.P.	1	
2	582298	Spacer	1	
3	272426	Pad	1	
4	581248	Spring	1	
5	581249	Spring	1	
6	030115	Hex screw M10x130	1	
7	002440	Self locking nut M10	1	
8	273754	O-ring	2	
9	668702	Side Stand with i.p.	1	
10	582885	Stop buffer	1	
11	668678	Spring	1	
12	668679	Spring	1	
13	647595	Side stand fixing screw.	1	
14	012532	Washer 5,3x10x0	2	
15	191189	Gasket	2	
16	642559	Stand button	1	
17	292889	Hex socket screw M5x16	2	

Group	Frame - Plastic parts - Coachwork
Code	02.26
Description	Front shield
Service	1



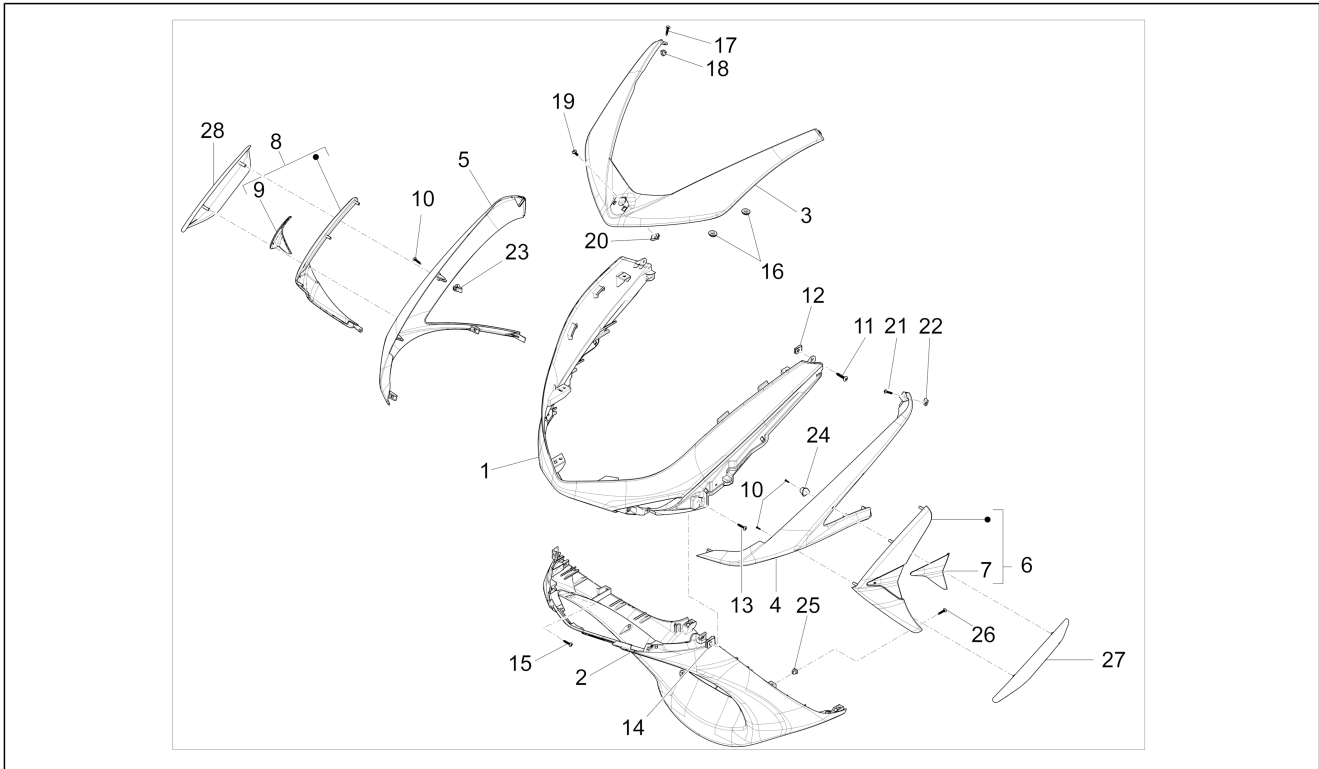
Pos.	Code	Description	Qty	Variants
1	673422	Front shield	1	
1	67342200BT	Front shield	1	Vehicle colour:White[566] ABS - NO ABS:ABS Version[ABS]
1	67342200BU	Front shield	1	Vehicle colour:Polished pastel white[595] ABS - NO ABS:ABS Version[ABS] Vehicle colour:Polished pastel white[595] ABS - NO ABS:No ABS[No ABS]
1	67342200DE	Front shield	1	Vehicle colour:Blue[222/A] Vehicle colour:Blue[222/A] ABS - NO ABS:ABS Version[ABS]
1	67342200EV	Front shield	1	Vehicle colour:Grey[713/B] Vehicle colour:Grey[713/B] ABS - NO ABS:ABS Version[ABS]
1	67342200H2	Front shield	1	Vehicle colour:Ice Grey[755/B] ABS - NO ABS:ABS Version[ABS] Vehicle colour:Ice Grey[755/B] ABS - NO ABS:No ABS[No ABS]
1	67342200HC	Front shield	1	Vehicle colour:Matt grey[773/B] ABS - NO ABS:ABS Version[ABS] Vehicle colour:Matt grey[773/B] ABS - NO ABS:No ABS[No ABS]
1	67342200M8	Front shield	1	Vehicle colour:Brown[120/A] Vehicle colour:Brown[120/A] ABS - NO ABS:ABS Version[ABS]
1	67342200NO	Front shield	1	Vehicle colour:Matt Black[93/B] ABS - NO ABS:No ABS[No ABS] Vehicle colour:Matt Black[93/B] ABS - NO ABS:ABS Version[ABS]
1	67342200XN2	Front shield	1	Vehicle colour:BLACK[98/A] Vehicle colour:BLACK[98/A] ABS - NO ABS:ABS Version[ABS]
2	674679	Lower shield	1	
2	67467900BT	Lower shield	1	Vehicle colour:White[566] ABS - NO ABS:ABS Version[ABS]

Group	Frame - Plastic parts - Coachwork
Code	02.26
Description	Front shield
Service	1



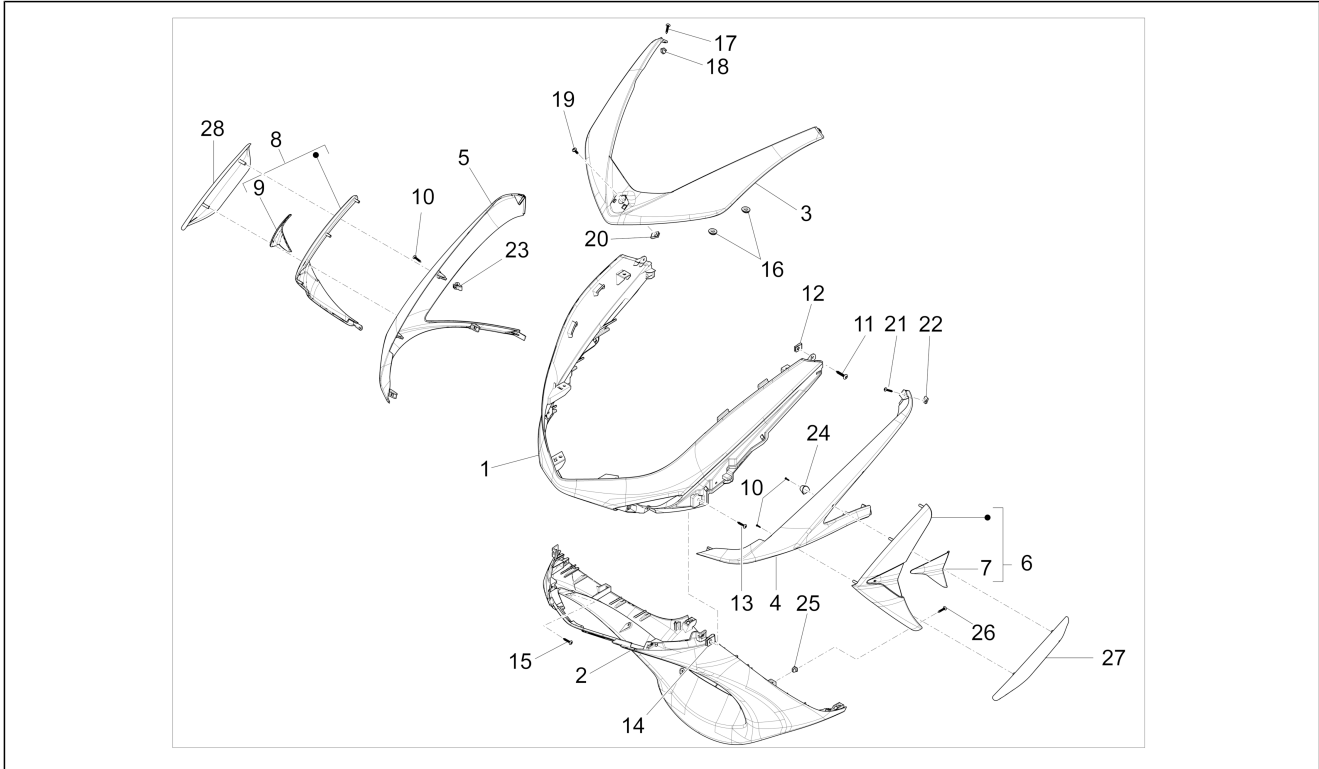
Pos.	Code	Description	Qty	Variants
2	67467900BU	Lower shield	1	Vehicle colour:Polished pastel white[595] ABS - NO ABS:No ABS[No ABS] Vehicle colour:Polished pastel white[595] ABS - NO ABS:ABS Version[ABS]
2	67467900DE	Lower shield	1	Vehicle colour:Blue[222/A] Vehicle colour:Blue[222/A] ABS - NO ABS:ABS Version[ABS]
2	67467900EV	Lower shield	1	Vehicle colour:Grey[713/B] Vehicle colour:Grey[713/B] ABS - NO ABS:ABS Version[ABS]
2	67467900H2	Lower shield	1	Vehicle colour:Ice Grey[755/B] ABS - NO ABS:ABS Version[ABS] Vehicle colour:Ice Grey[755/B] ABS - NO ABS:No ABS[No ABS]
2	67467900HC	Lower shield	1	Vehicle colour:Matt grey[773/B] ABS - NO ABS:ABS Version[ABS] Vehicle colour:Matt grey[773/B] ABS - NO ABS:No ABS[No ABS]
2	67467900M8	Lower shield	1	Vehicle colour:Brown[120/A] Vehicle colour:Brown[120/A] ABS - NO ABS:ABS Version[ABS]
2	67467900NO	Lower shield	1	Vehicle colour:Matt Black[93/B] ABS - NO ABS:No ABS[No ABS] Vehicle colour:Matt Black[93/B] ABS - NO ABS:ABS Version[ABS]
2	67467900XN2	Lower shield	1	Vehicle colour:BLACK[98/A] Vehicle colour:BLACK[98/A] ABS - NO ABS:ABS Version[ABS]
3	1B000129	Shield upper cover	1	Vehicle colour:Matt Black[93/B] ABS - NO ABS:ABS Version[ABS] Vehicle colour:Polished pastel white[595] ABS - NO ABS:ABS Version[ABS] Vehicle colour:Matt grey[773/B] ABS - NO ABS:ABS Version[ABS] Vehicle colour:Ice Grey[755/B]

Group	Frame - Plastic parts - Coachwork
Code	02.26
Description	Front shield
Service	1



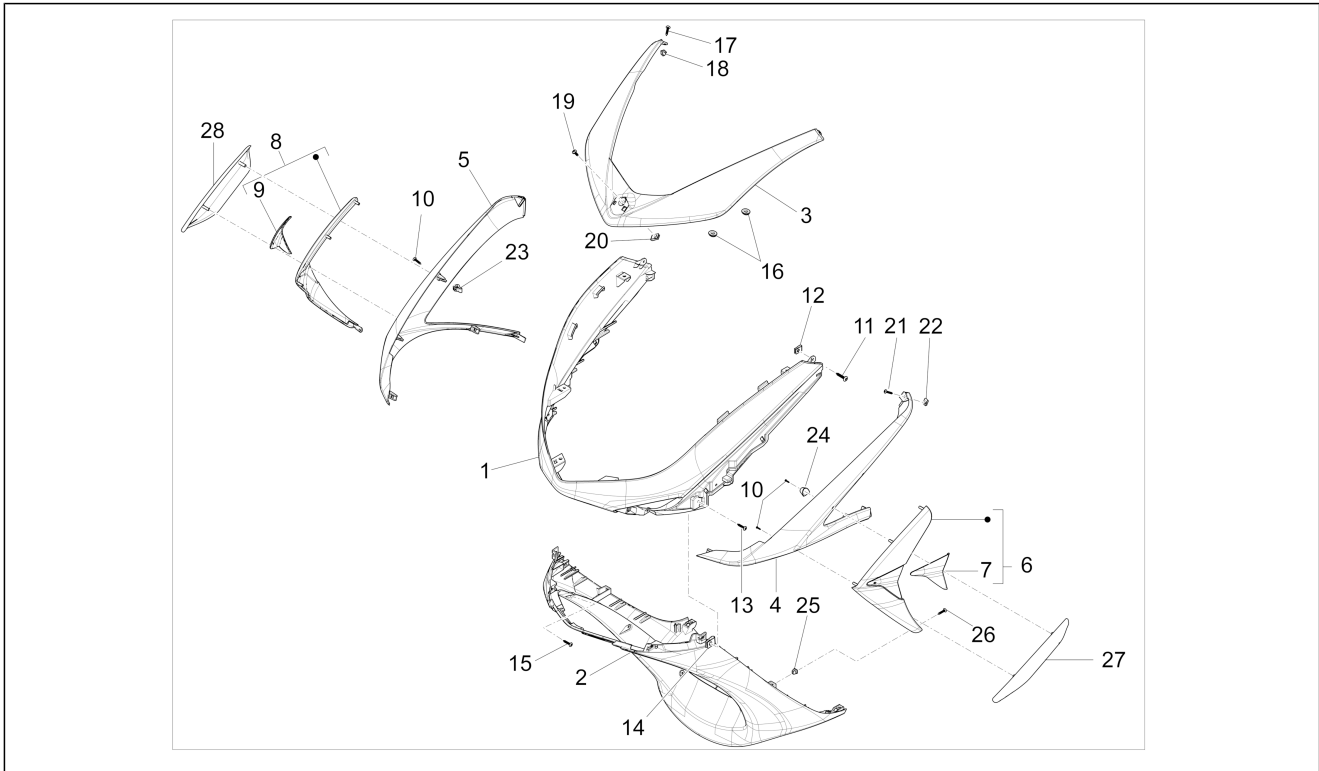
Pos.	Code	Description	Qty	Variants
				ABS - NO ABS:ABS Version[ABS] Vehicle colour:Polished pastel white[595] ABS - NO ABS:No ABS[No ABS] Vehicle colour:Matt Black[93/B] ABS - NO ABS:No ABS[No ABS] Vehicle colour:Ice Grey[755/B] ABS - NO ABS:No ABS[No ABS] Vehicle colour:Matt grey[773/B] ABS - NO ABS:No ABS[No ABS]
3	673424	Shield upper cover	1	
3	67342400BT	Shield upper cover	1	Vehicle colour:White[566] ABS - NO ABS:ABS Version[ABS]
3	67342400DE	Shield upper cover	1	Vehicle colour:Blue[222/A] Vehicle colour:Blue[222/A] ABS - NO ABS:ABS Version[ABS]
3	67342400EV	Shield upper cover	1	Vehicle colour:Grey[713/B] Vehicle colour:Grey[713/B] ABS - NO ABS:ABS Version[ABS]
3	67342400M8	Shield upper cover	1	Vehicle colour:Brown[120/A] Vehicle colour:Brown[120/A] ABS - NO ABS:ABS Version[ABS]
3	67342400XN2	Shield upper cover	1	Vehicle colour:BLACK[98/A] Vehicle colour:BLACK[98/A] ABS - NO ABS:ABS Version[ABS]
4	1B000153	Left front moulding	1	Vehicle colour:Matt Black[93/B] ABS - NO ABS:ABS Version[ABS] Vehicle colour:Polished pastel white[595] ABS - NO ABS:ABS Version[ABS] Vehicle colour:Matt grey[773/B] ABS - NO ABS:ABS Version[ABS] Vehicle colour:Ice Grey[755/B] ABS - NO ABS:ABS Version[ABS] Vehicle colour:Polished pastel white[595] ABS - NO ABS:No ABS[No ABS] Vehicle colour:Matt Black[93/B]

Group	Frame - Plastic parts - Coachwork
Code	02.26
Description	Front shield
Service	1



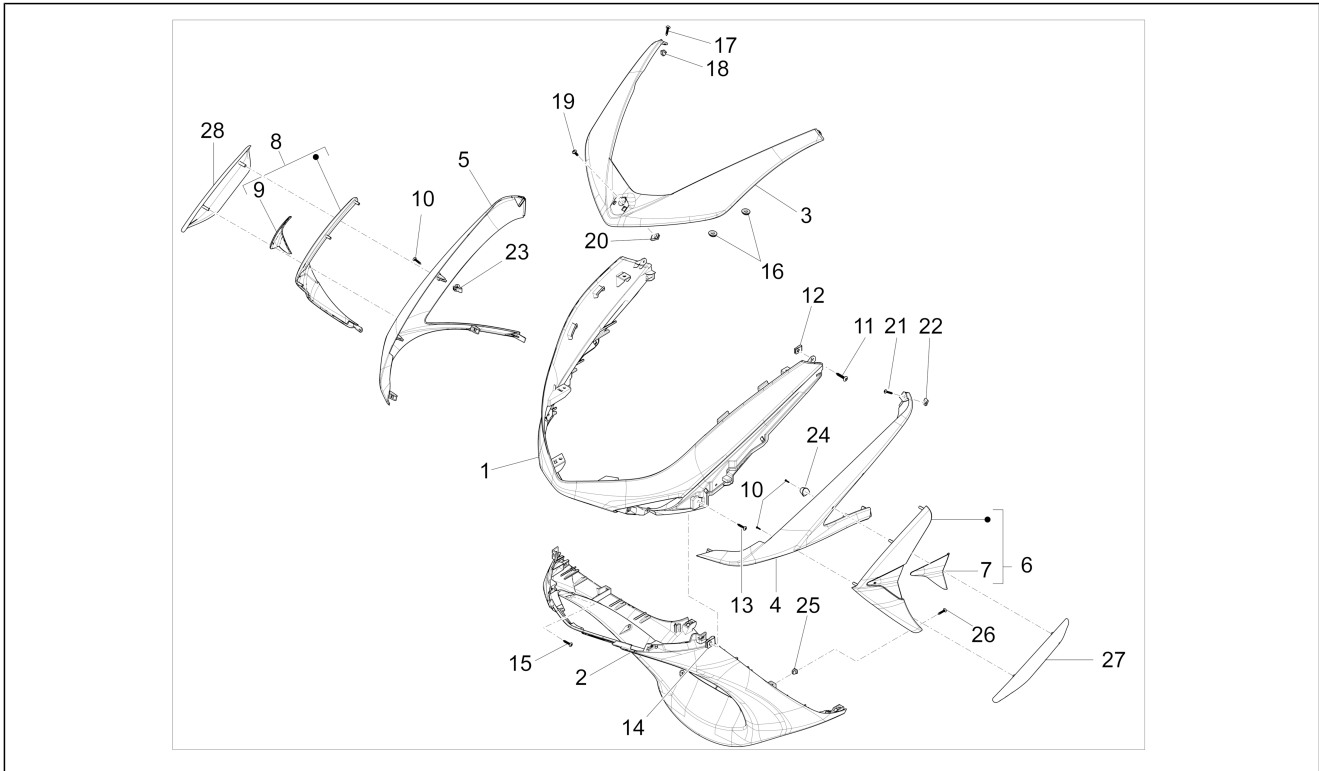
Pos.	Code	Description	Qty	Variants
				ABS - NO ABS:No ABS[No ABS] Vehicle colour:Ice Grey[755/B] ABS - NO ABS:No ABS[No ABS] Vehicle colour:Matt grey[773/B] ABS - NO ABS:No ABS[No ABS]
4	673435	Left front moulding	1	
5	1B000154	Right front moulding	1	Vehicle colour:Matt Black[93/B] ABS - NO ABS:ABS Version[ABS] Vehicle colour:Polished pastel white[595] ABS - NO ABS:ABS Version[ABS] Vehicle colour:Matt grey[773/B] ABS - NO ABS:ABS Version[ABS] Vehicle colour:Ice Grey[755/B] ABS - NO ABS:ABS Version[ABS] Vehicle colour:Polished pastel white[595] ABS - NO ABS:No ABS[No ABS] Vehicle colour:Matt Black[93/B] ABS - NO ABS:No ABS[No ABS] Vehicle colour:Ice Grey[755/B] ABS - NO ABS:No ABS[No ABS] Vehicle colour:Matt grey[773/B] ABS - NO ABS:No ABS[No ABS]
5	673436	Right front moulding	1	
6	674916	Left deflector	1	Vehicle colour:Brown[120/A] Vehicle colour:BLACK[98/A] Vehicle colour:White[566] Vehicle colour:Blue[222/A] Vehicle colour:Grey[713/B] Vehicle colour:Grey[713/B] ABS - NO ABS:ABS Version[ABS] Vehicle colour:Brown[120/A] ABS - NO ABS:ABS Version[ABS] Vehicle colour:White[566] ABS - NO ABS:ABS Version[ABS] Vehicle colour:BLACK[98/A] ABS - NO ABS:ABS Version[ABS]

Group	Frame - Plastic parts - Coachwork
Code	02.26
Description	Front shield
Service	1



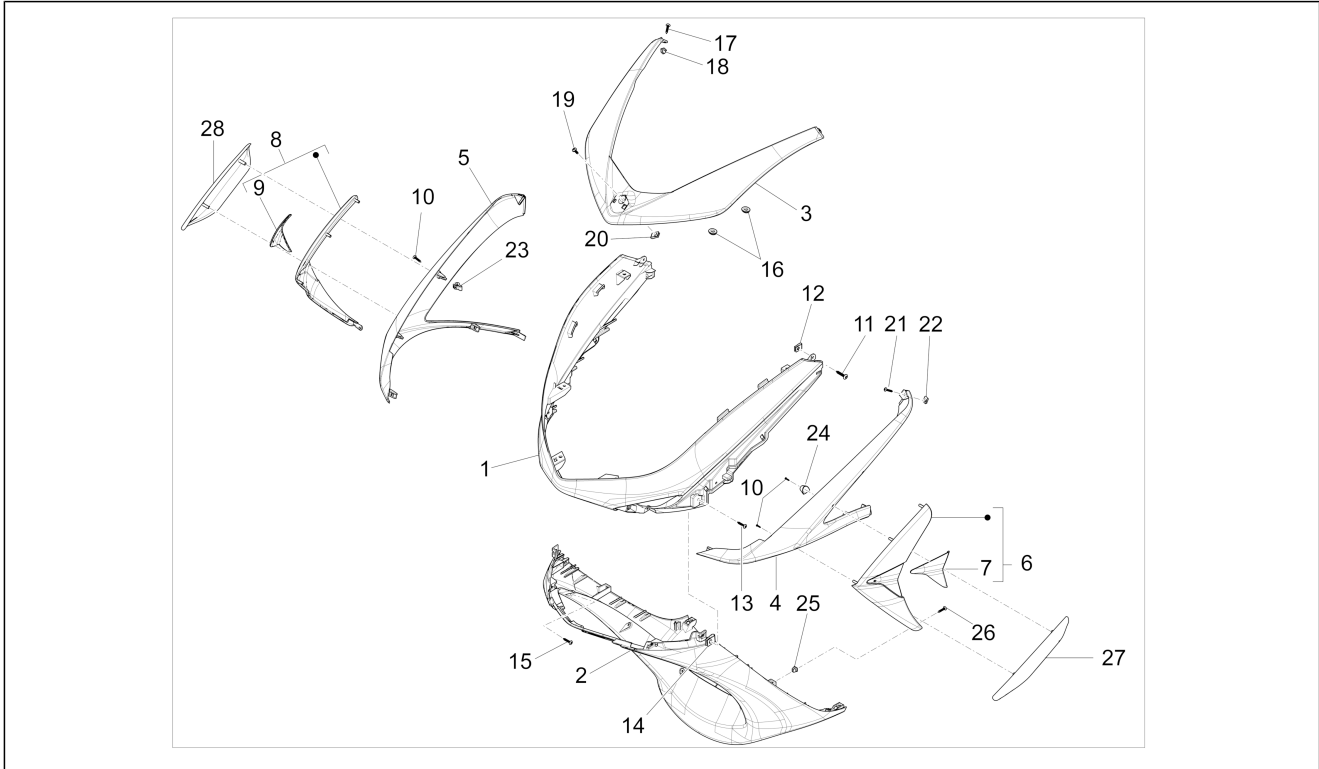
Pos.	Code	Description	Qty	Variants
				Vehicle colour:Blue[222/A] ABS - NO ABS:ABS Version[ABS]
7	674918	Sticker LH	1	Vehicle colour:Brown[120/A] Vehicle colour:BLACK[98/A] Vehicle colour:White[566] Vehicle colour:Blue[222/A] Vehicle colour:Grey[713/B] Vehicle colour:Grey[713/B] ABS - NO ABS:ABS Version[ABS] Vehicle colour:Brown[120/A] ABS - NO ABS:ABS Version[ABS] Vehicle colour:White[566] ABS - NO ABS:ABS Version[ABS] Vehicle colour:BLACK[98/A] ABS - NO ABS:ABS Version[ABS] Vehicle colour:Blue[222/A] ABS - NO ABS:ABS Version[ABS]
8	674919	Right deflector	1	Vehicle colour:Brown[120/A] Vehicle colour:BLACK[98/A] Vehicle colour:White[566] Vehicle colour:Blue[222/A] Vehicle colour:Grey[713/B] ABS - NO ABS:ABS Version[ABS] Vehicle colour:Brown[120/A] ABS - NO ABS:ABS Version[ABS] Vehicle colour:White[566] ABS - NO ABS:ABS Version[ABS] Vehicle colour:BLACK[98/A] ABS - NO ABS:ABS Version[ABS] Vehicle colour:Blue[222/A] ABS - NO ABS:ABS Version[ABS] Vehicle colour:Grey[713/B]
9	674921	Sticker RH	1	Vehicle colour:Brown[120/A] Vehicle colour:BLACK[98/A] Vehicle colour:White[566] Vehicle colour:Grey[713/B] Vehicle colour:Blue[222/A]

Group	Frame - Plastic parts - Coachwork
Code	02.26
Description	Front shield
Service	1



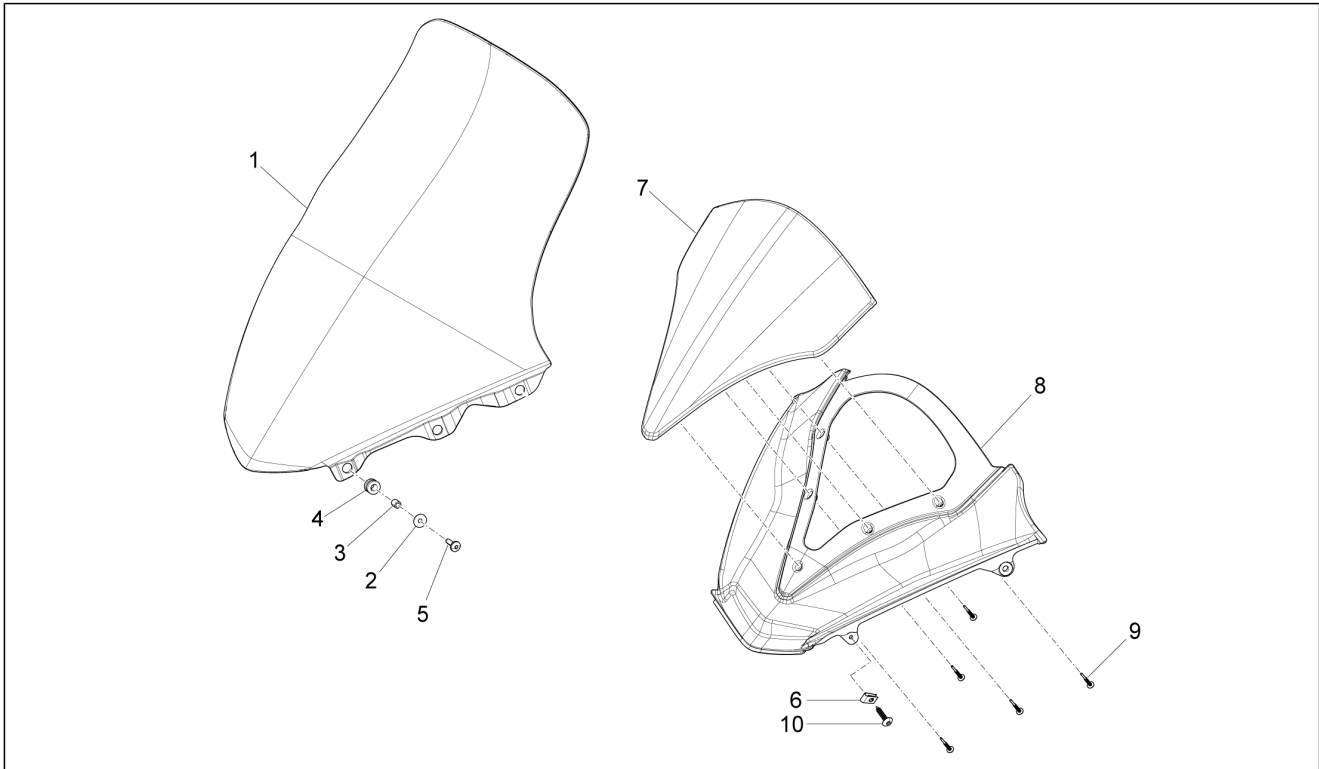
Pos.	Code	Description	Qty	Variants
				Vehicle colour:Grey[713/B] ABS - NO ABS:ABS Version[ABS] Vehicle colour:Brown[120/A] ABS - NO ABS:ABS Version[ABS] Vehicle colour:White[566] ABS - NO ABS:ABS Version[ABS] Vehicle colour:BLACK[98/A] ABS - NO ABS:ABS Version[ABS] Vehicle colour:Blue[222/A] ABS - NO ABS:ABS Version[ABS]
10	297498	Self tapping screw M3,5x13	6	
11	CM178608	Self tapping screw D4.2x29	4	
12	CM017410	Spring plate	2	
13	CM178603	Self tapping screw D4.2x13	4	
14	CM017410	Spring plate	4	
15	CM180701	Self tapping screw D4x16	4	
16	463195	Elastic drift	4	
17	CM178601	Self tapping screw D4.2x16	2	
18	157716	Expansion plug	2	
19	CM179201	Metric screw M6x22	1	
20	254485	Spring plate M6	1	
21	CM178601	Self tapping screw D4.2x16	2	
22	CM017410	Spring plate	2	
23	D9004468091	Gripper clip	2	
24	675029	Cap	4	
25	157716	Expansion plug	2	
26	CM178604	Self tapping screw	2	
27	18000366	LH protection	1	Vehicle colour:Matt Black[93/B] ABS - NO ABS:ABS Version[ABS] Vehicle colour:Polished pastel white[595] ABS - NO ABS:ABS Version[ABS] Vehicle colour:Matt grey[773/B]

Group	Frame - Plastic parts - Coachwork
Code	02.26
Description	Front shield
Service	1



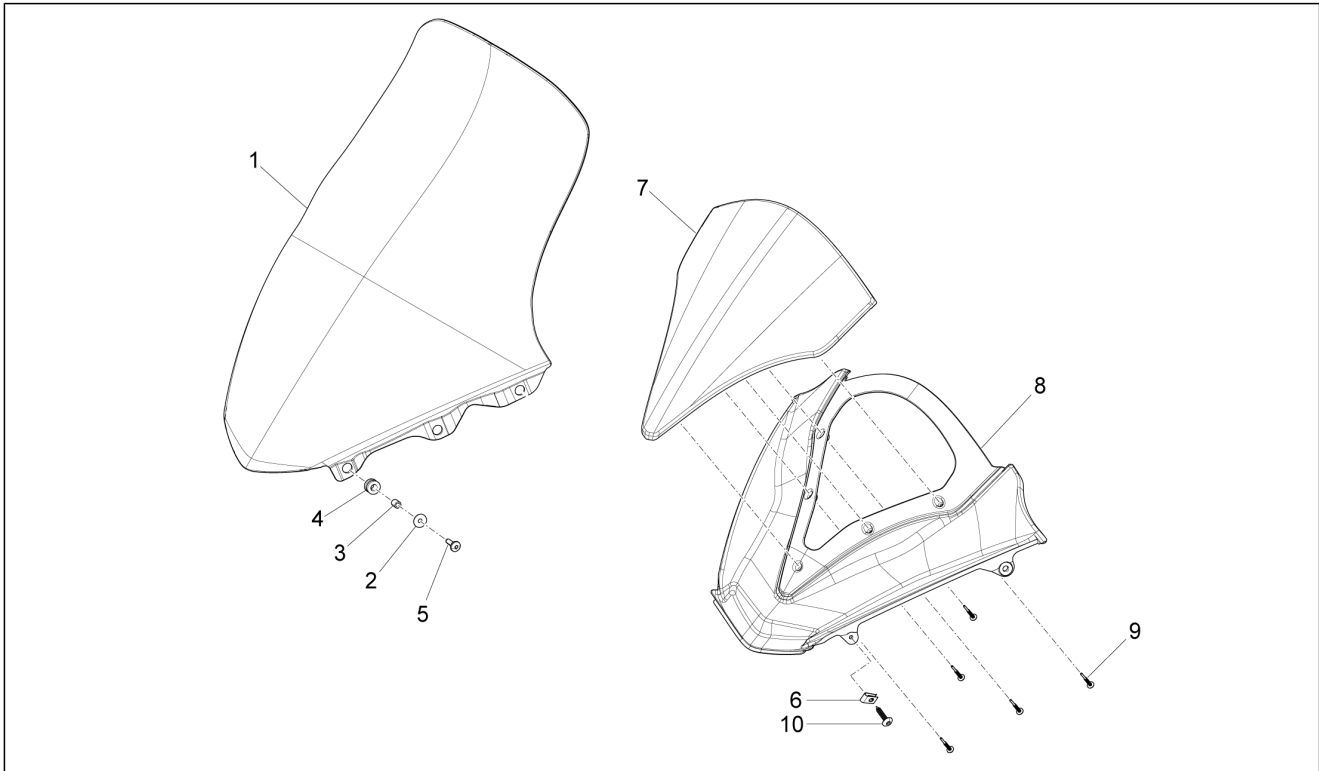
Pos.	Code	Description	Qty	Variants
				ABS - NO ABS:ABS Version[ABS] Vehicle colour:Ice Grey[755/B] ABS - NO ABS:ABS Version[ABS] Vehicle colour:Polished pastel white[595] ABS - NO ABS:No ABS[No ABS] Vehicle colour:Matt Black[93/B] ABS - NO ABS:No ABS[No ABS] Vehicle colour:Ice Grey[755/B] ABS - NO ABS:No ABS[No ABS] Vehicle colour:Matt grey[773/B] ABS - NO ABS:No ABS[No ABS]
28	1B000367	RH protection	1	Vehicle colour:Matt Black[93/B] ABS - NO ABS:ABS Version[ABS] Vehicle colour:Polished pastel white[595] ABS - NO ABS:ABS Version[ABS] Vehicle colour:Matt grey[773/B] ABS - NO ABS:ABS Version[ABS] Vehicle colour:Ice Grey[755/B] ABS - NO ABS:ABS Version[ABS] Vehicle colour:Polished pastel white[595] ABS - NO ABS:No ABS[No ABS] Vehicle colour:Matt Black[93/B] ABS - NO ABS:No ABS[No ABS] Vehicle colour:Ice Grey[755/B] ABS - NO ABS:No ABS[No ABS] Vehicle colour:Matt grey[773/B] ABS - NO ABS:No ABS[No ABS]

Group	Frame - Plastic parts - Coachwork
Code	02.27
Description	Windshield - Glass
Service	1



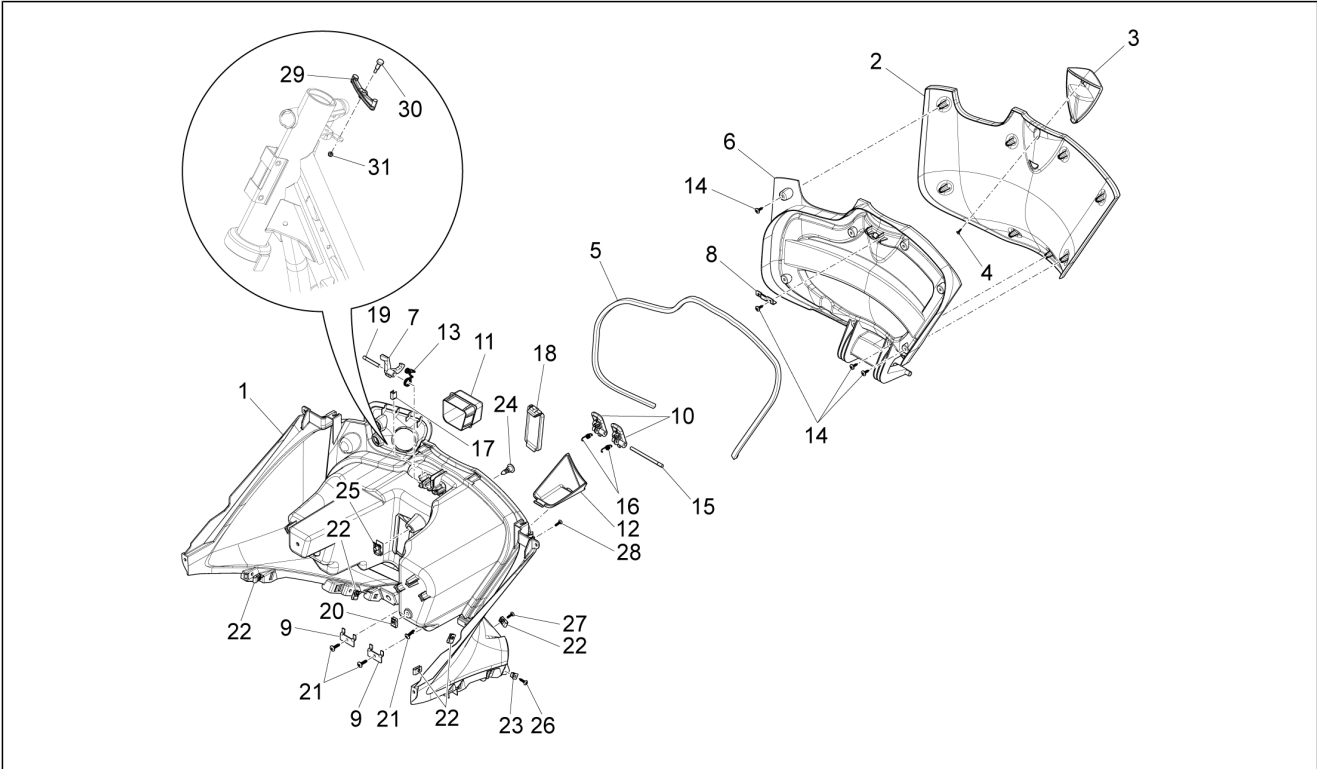
Pos.	Code	Description	Qty	Variants
1	673445	Windscreen	1	
2	013092	Washer d6,2x20x1	6	
3	273288	Spacer	6	
4	576565	Cylindrical cable grommet	6	
5	CM179303	Metric screw M6x30	6	
6	CM017410	Spring plate	2	
7	673433	Front dashboard cover	1	
7	6734330090	Front dashboard cover	1	Vehicle colour:BLACK[98/A] Vehicle colour:Blue[222/A] Vehicle colour:Grey[713/B] Vehicle colour:Brown[120/A] Vehicle colour:BLACK[98/A] ABS - NO ABS:ABS Version[ABS] Vehicle colour:White[566] ABS - NO ABS:ABS Version[ABS] Vehicle colour:Brown[120/A] ABS - NO ABS:ABS Version[ABS] Vehicle colour:Grey[713/B] ABS - NO ABS:ABS Version[ABS] Vehicle colour:Blue[222/A] ABS - NO ABS:ABS Version[ABS]
8	67342900H7	Front dashboard	1	Vehicle colour:Ice Grey[755/B] ABS - NO ABS:ABS Version[ABS] Vehicle colour:Matt Black[93/B] ABS - NO ABS:No ABS[No ABS] Vehicle colour:Polished pastel white[595] ABS - NO ABS:No ABS[No ABS] Vehicle colour:Matt Black[93/B] ABS - NO ABS:ABS Version[ABS] Vehicle colour:Matt grey[773/B] ABS - NO ABS:ABS Version[ABS] Vehicle colour:Polished pastel white[595] ABS - NO ABS:ABS Version[ABS] Vehicle colour:Grey[713/B] Vehicle colour:BLACK[98/A]

Group	Frame - Plastic parts - Coachwork
Code	02.27
Description	Windshield - Glass
Service	1



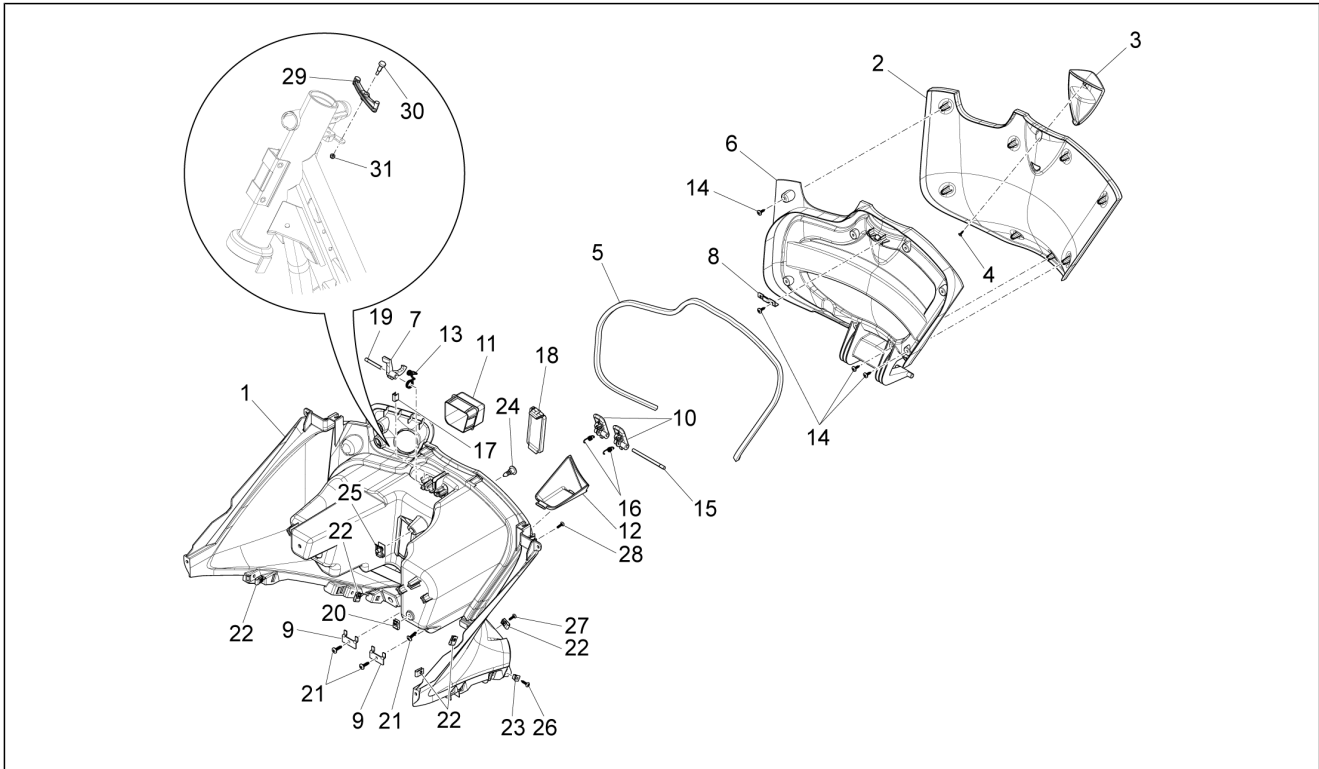
Pos.	Code	Description	Qty	Variants
				Vehicle colour:Ice Grey[755/B] ABS - NO ABS:No ABS[No ABS] Vehicle colour:Matt grey[773/B] ABS - NO ABS:No ABS[No ABS] Vehicle colour:Brown[120/A] Vehicle colour:Grey[713/B] ABS - NO ABS:ABS Version[ABS] Vehicle colour:White[566] Vehicle colour:Blue[222/A] Vehicle colour:BLACK[98/A] ABS - NO ABS:ABS Version[ABS] Vehicle colour:Blue[222/A] ABS - NO ABS:ABS Version[ABS] Vehicle colour:Brown[120/A] ABS - NO ABS:ABS Version[ABS] Vehicle colour:White[566] ABS - NO ABS:ABS Version[ABS]
9	297498	Self tapping screw M3,5x13	5	
10	CM178603	Self tapping screw D4.2x13	2	

Group	Frame - Plastic parts - Coachwork
Code	02.30
Description	Front glove-box - Knee-guard panel
Service	1



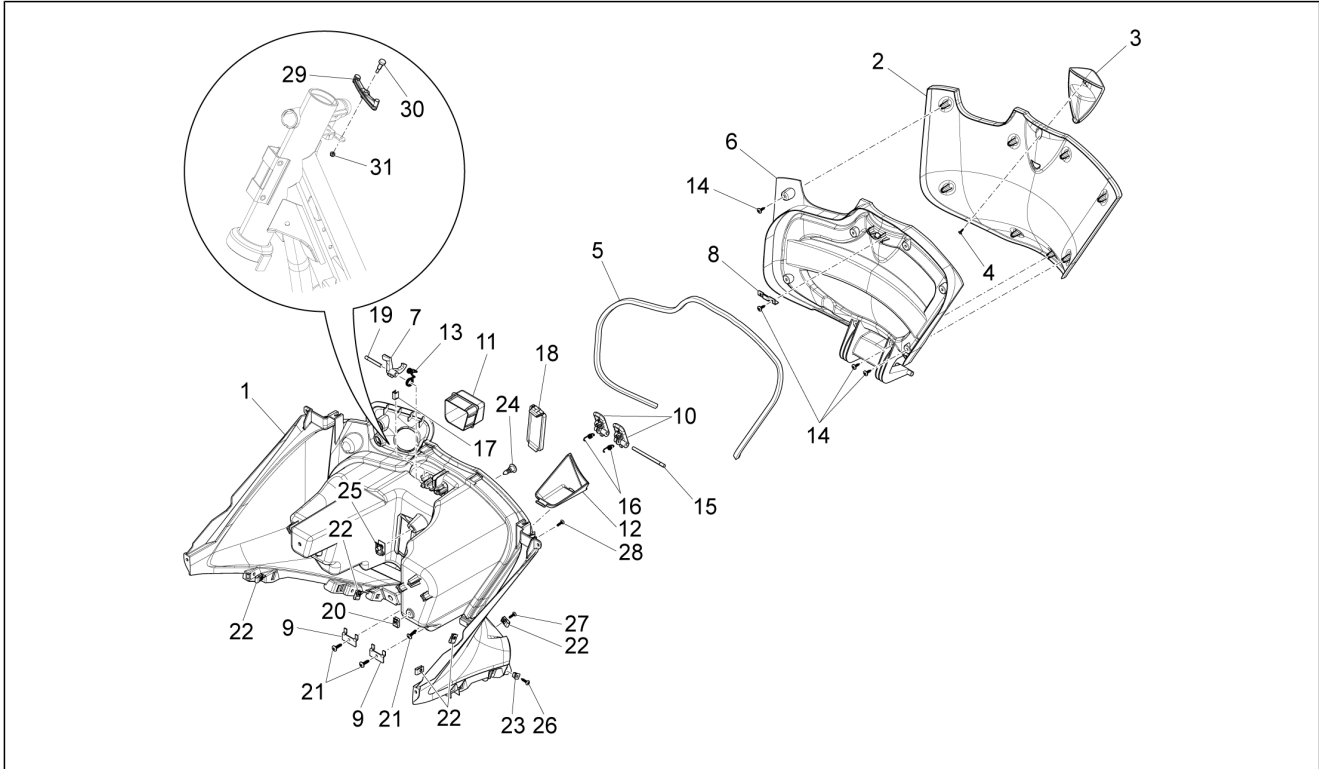
Pos.	Code	Description	Qty	Variants
1	67342600H7	Front glove comp.	1	Vehicle colour:White[566] Vehicle colour:White[566] ABS - NO ABS:ABS Version[ABS] Vehicle colour:Polished pastel white[595] ABS - NO ABS:ABS Version[ABS] Vehicle colour:Polished pastel white[595] ABS - NO ABS:No ABS[No ABS] Vehicle colour:Blue[222/A] Vehicle colour:Blue[222/A] ABS - NO ABS:ABS Version[ABS] Vehicle colour:Grey[713/B] Vehicle colour:Grey[713/B] ABS - NO ABS:ABS Version[ABS] Vehicle colour:Ice Grey[755/B] ABS - NO ABS:ABS Version[ABS] Vehicle colour:Ice Grey[755/B] ABS - NO ABS:No ABS[No ABS] Vehicle colour:Matt grey[773/B] ABS - NO ABS:ABS Version[ABS] Vehicle colour:Matt grey[773/B] ABS - NO ABS:No ABS[No ABS] Vehicle colour:Brown[120/A] Vehicle colour:Brown[120/A] ABS - NO ABS:ABS Version[ABS] Vehicle colour:Matt Black[93/B] ABS - NO ABS:ABS Version[ABS] Vehicle colour:Matt Black[93/B] ABS - NO ABS:No ABS[No ABS] Vehicle colour:BLACK[98/A] Vehicle colour:BLACK[98/A] ABS - NO ABS:ABS Version[ABS]
2	673427000C	Top case door	1	Vehicle colour:Polished pastel white[595] ABS - NO ABS:ABS Version[ABS] Vehicle colour:Polished pastel white[595] ABS - NO ABS:No ABS[No ABS] Vehicle colour:Blue[222/A] Vehicle colour:Blue[222/A]

Group	Frame - Plastic parts - Coachwork
Code	02.30
Description	Front glove-box - Knee-guard panel
Service	1



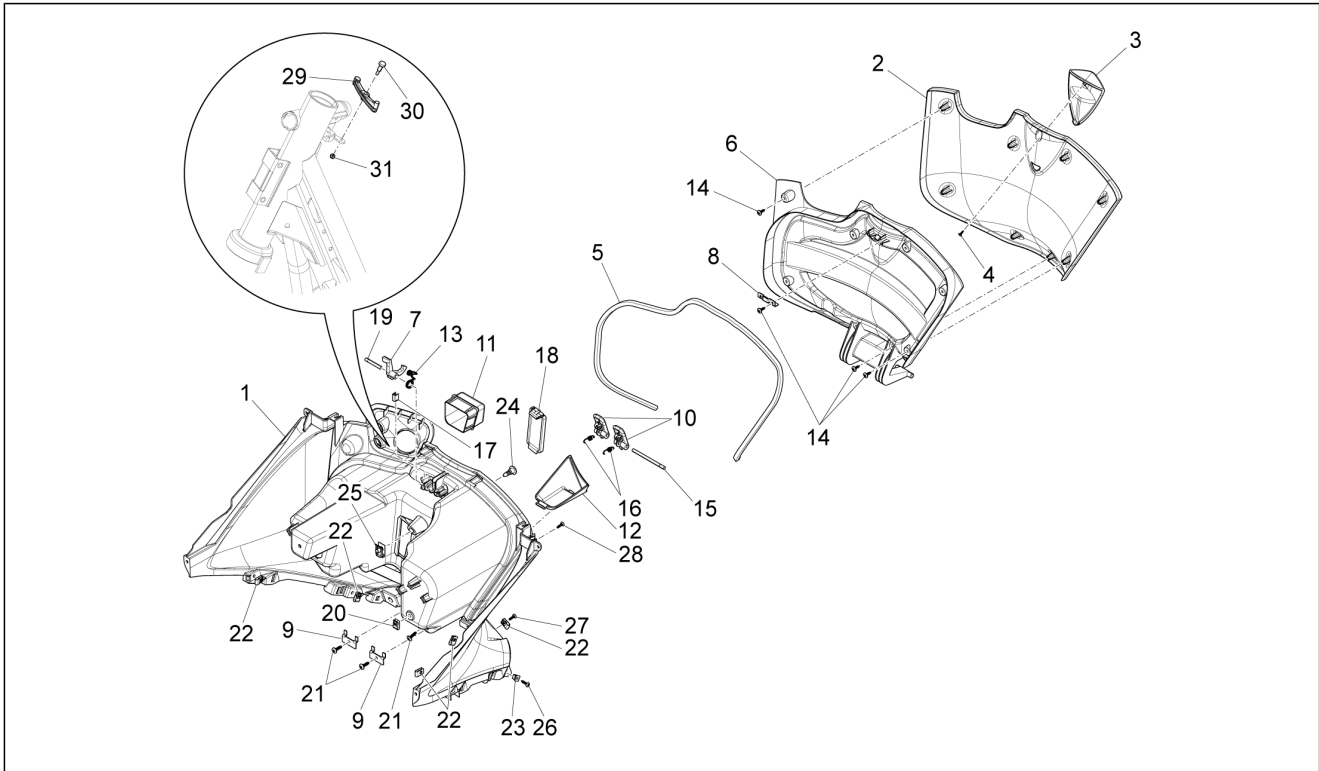
Pos.	Code	Description	Qty	Variants
				ABS - NO ABS:ABS Version[ABS] Vehicle colour:Grey[713/B] ABS - NO ABS:ABS Version[ABS] Vehicle colour:Ice Grey[755/B] ABS - NO ABS:ABS Version[ABS] Vehicle colour:Ice Grey[755/B] ABS - NO ABS:No ABS[No ABS] Vehicle colour:Matt grey[773/B] ABS - NO ABS:ABS Version[ABS] Vehicle colour:Matt grey[773/B] ABS - NO ABS:No ABS[No ABS] Vehicle colour:Brown[120/A] ABS - NO ABS:ABS Version[ABS] Vehicle colour:Matt Black[93/B] ABS - NO ABS:ABS Version[ABS] Vehicle colour:Matt Black[93/B] ABS - NO ABS:No ABS[No ABS]
2	67342700MA	Top case door	1	Vehicle colour:BLACK[98/A] Vehicle colour:White[566] ABS - NO ABS:ABS Version[ABS] Vehicle colour:BLACK[98/A] ABS - NO ABS:ABS Version[ABS]
3	673434	Glove compartment door handle	1	
4	297498	Self tapping screw M3,5x13	1	
5	CM006313	Flap packing	1	
6	673428000C	Counter flap	1	Vehicle colour:BLACK[98/A] Vehicle colour:Brown[120/A] Vehicle colour:Blue[222/A] Vehicle colour:Grey[713/B] Vehicle colour:BLACK[98/A] ABS - NO ABS:ABS Version[ABS] Vehicle colour:White[566] ABS - NO ABS:ABS Version[ABS] Vehicle colour:Brown[120/A]

Group	Frame - Plastic parts - Coachwork
Code	02.30
Description	Front glove-box - Knee-guard panel
Service	1



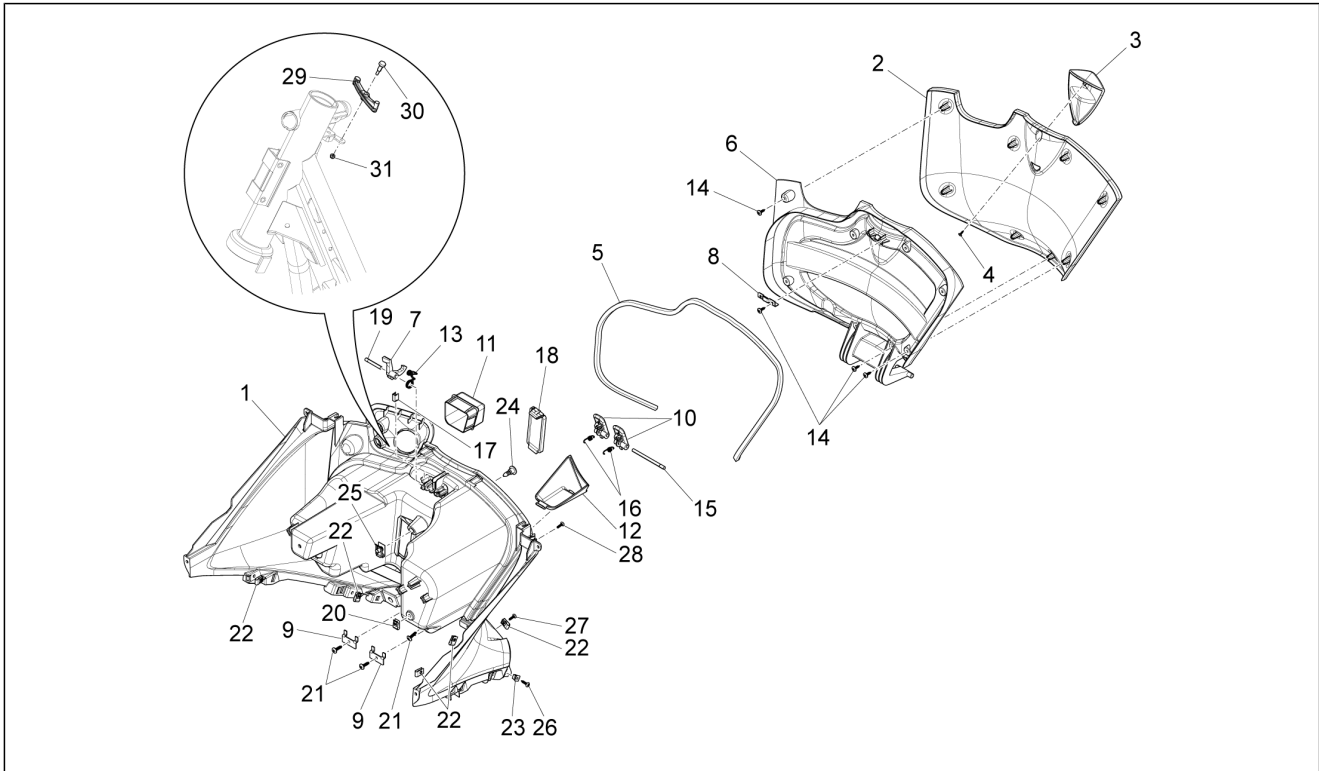
Pos.	Code	Description	Qty	Variants
				ABS - NO ABS:ABS Version[ABS] Vehicle colour:Grey[713/B] ABS - NO ABS:ABS Version[ABS] Vehicle colour:Blue[222/A] ABS - NO ABS:ABS Version[ABS] Vehicle colour:Matt Black[93/B] ABS - NO ABS:ABS Version[ABS] Vehicle colour:Polished pastel white[595] ABS - NO ABS:ABS Version[ABS] Vehicle colour:Matt grey[773/B] ABS - NO ABS:ABS Version[ABS] Vehicle colour:Ice Grey[755/B] ABS - NO ABS:ABS Version[ABS]
7	575607	Pawl	1	
8	252420	Square	1	
9	257614	Square	2	
10	675401	Lever	2	
11	67468100H7	cover	1	Vehicle colour:White[566] Vehicle colour:White[566] ABS - NO ABS:ABS Version[ABS] Vehicle colour:Polished pastel white[595] ABS - NO ABS:ABS Version[ABS] Vehicle colour:Polished pastel white[595] ABS - NO ABS:No ABS[No ABS] Vehicle colour:Blue[222/A] Vehicle colour:Blue[222/A] ABS - NO ABS:ABS Version[ABS] Vehicle colour:Grey[713/B] Vehicle colour:Grey[713/B] ABS - NO ABS:ABS Version[ABS] Vehicle colour:Ice Grey[755/B] ABS - NO ABS:ABS Version[ABS] Vehicle colour:Ice Grey[755/B] ABS - NO ABS:No ABS[No ABS] Vehicle colour:Matt grey[773/B] ABS - NO ABS:ABS Version[ABS]

Group	Frame - Plastic parts - Coachwork
Code	02.30
Description	Front glove-box - Knee-guard panel
Service	1



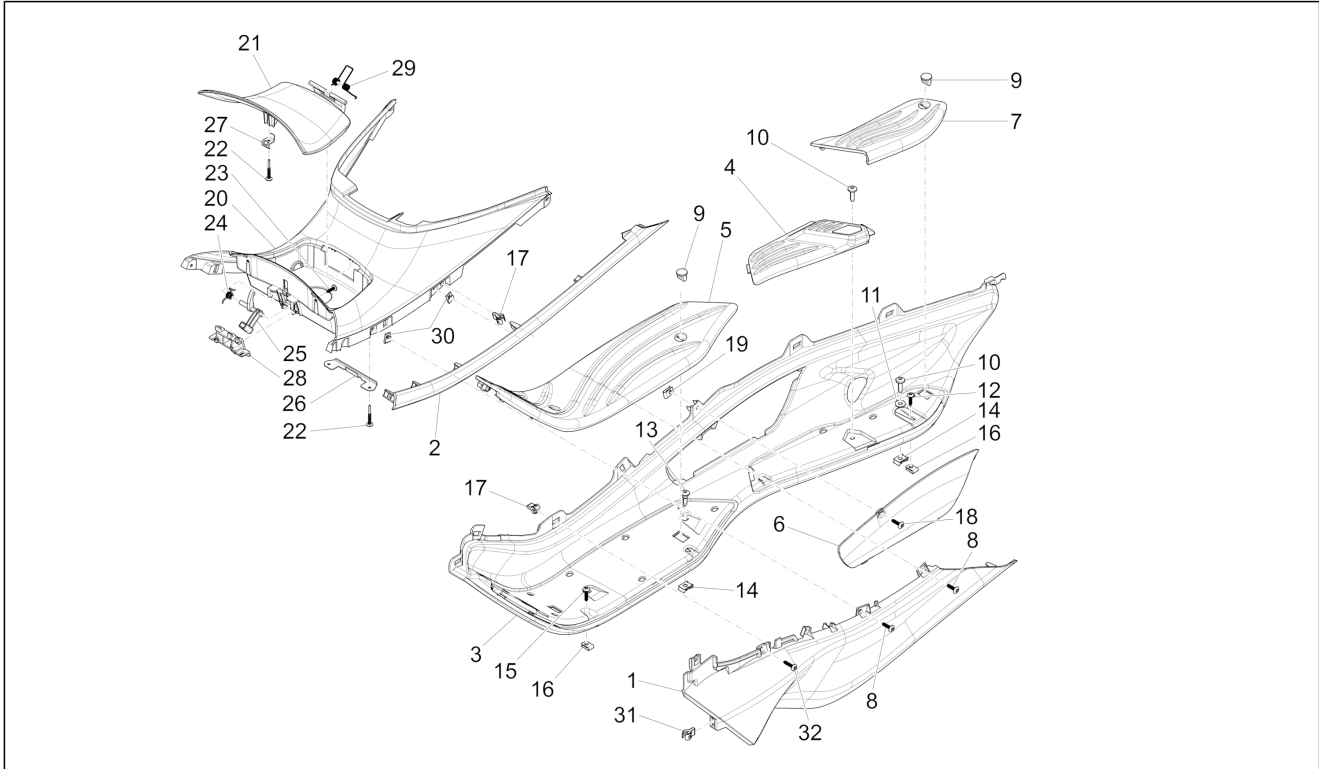
Pos.	Code	Description	Qty	Variants
				Vehicle colour:Matt grey[773/B] ABS - NO ABS:No ABS[No ABS] Vehicle colour:Brown[120/A] Vehicle colour:Brown[120/A] ABS - NO ABS:ABS Version[ABS] Vehicle colour:Matt Black[93/B] ABS - NO ABS:ABS Version[ABS] Vehicle colour:Matt Black[93/B] ABS - NO ABS:No ABS[No ABS] Vehicle colour:BLACK[98/A] Vehicle colour:BLACK[98/A] ABS - NO ABS:ABS Version[ABS]
12	67468200H7	Pouch bag	1	Vehicle colour:BLACK[98/A] Vehicle colour:Brown[120/A] Vehicle colour:Blue[222/A] Vehicle colour:Grey[713/B] Vehicle colour:BLACK[98/A] ABS - NO ABS:ABS Version[ABS] Vehicle colour:White[566] ABS - NO ABS:ABS Version[ABS] Vehicle colour:Brown[120/A] ABS - NO ABS:ABS Version[ABS] Vehicle colour:Grey[713/B] ABS - NO ABS:ABS Version[ABS] Vehicle colour:Blue[222/A] ABS - NO ABS:ABS Version[ABS]
13	577005	Spring	1	
14	297498	Self tapping screw M3,5x13	10	
15	575062	Pin	1	
16	577399	Spring	2	
17	299693	Catch spring	1	
18	575551	Insp. door	1	
19	270147	Pin	1	
20	CM017410	Spring plate	2	

Group	Frame - Plastic parts - Coachwork
Code	02.30
Description	Front glove-box - Knee-guard panel
Service	1



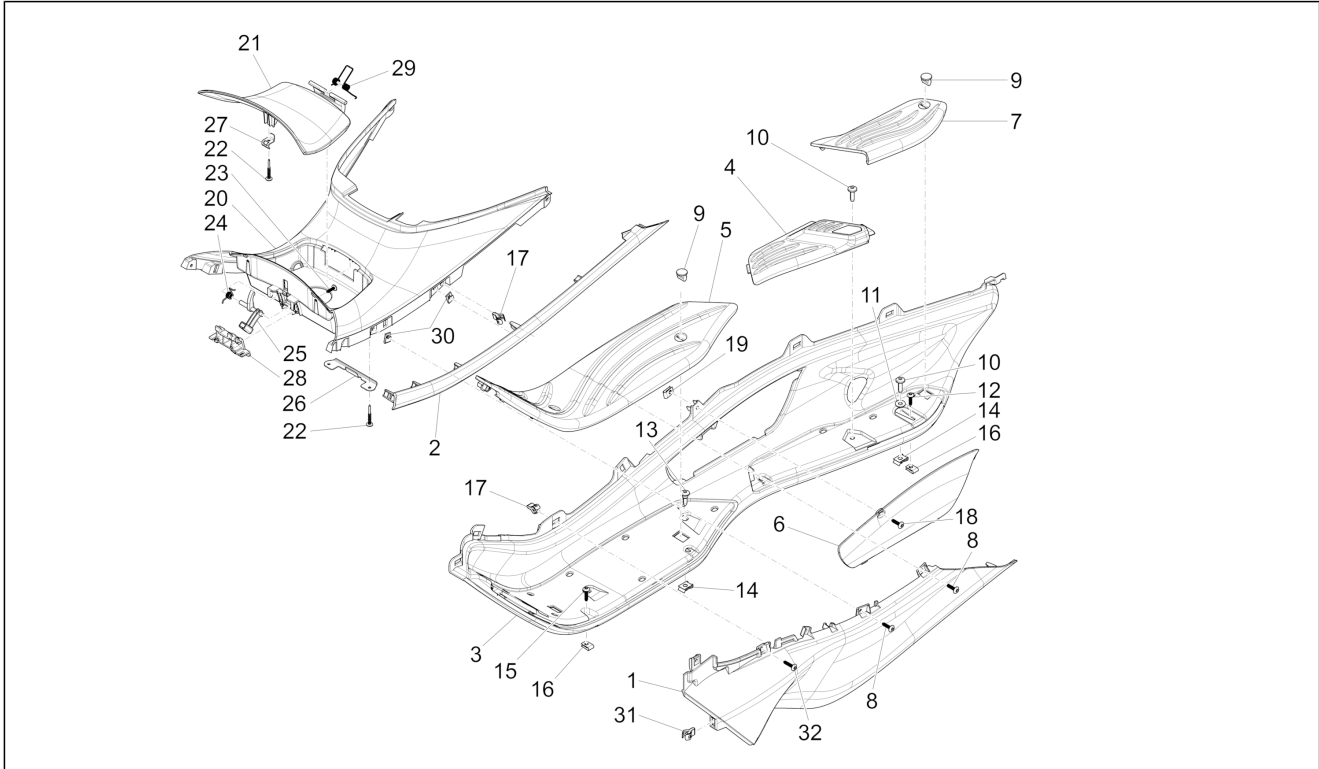
Pos.	Code	Description	Qty	Variants
21	270793	TBCIC Screw 3,8x16	3	
22	CM017410	Spring plate	8	
23	157716	Expansion plug	2	
24	CM179201	Metric screw M6x22	3	
25	254485	Spring plate M6	3	
26	CM178601	Self tapping screw D4.2x16	2	
27	CM178603	Self tapping screw D4.2x13	2	
28	CM178603	Self tapping screw D4.2x13	2	
29	673999	Lock lever	1	
30	299972	Special screw	1	
31	577620	Self locking nut	1	

Group	Frame - Plastic parts - Coachwork
Code	02.31
Description	Central cover - Footrests
Service	1



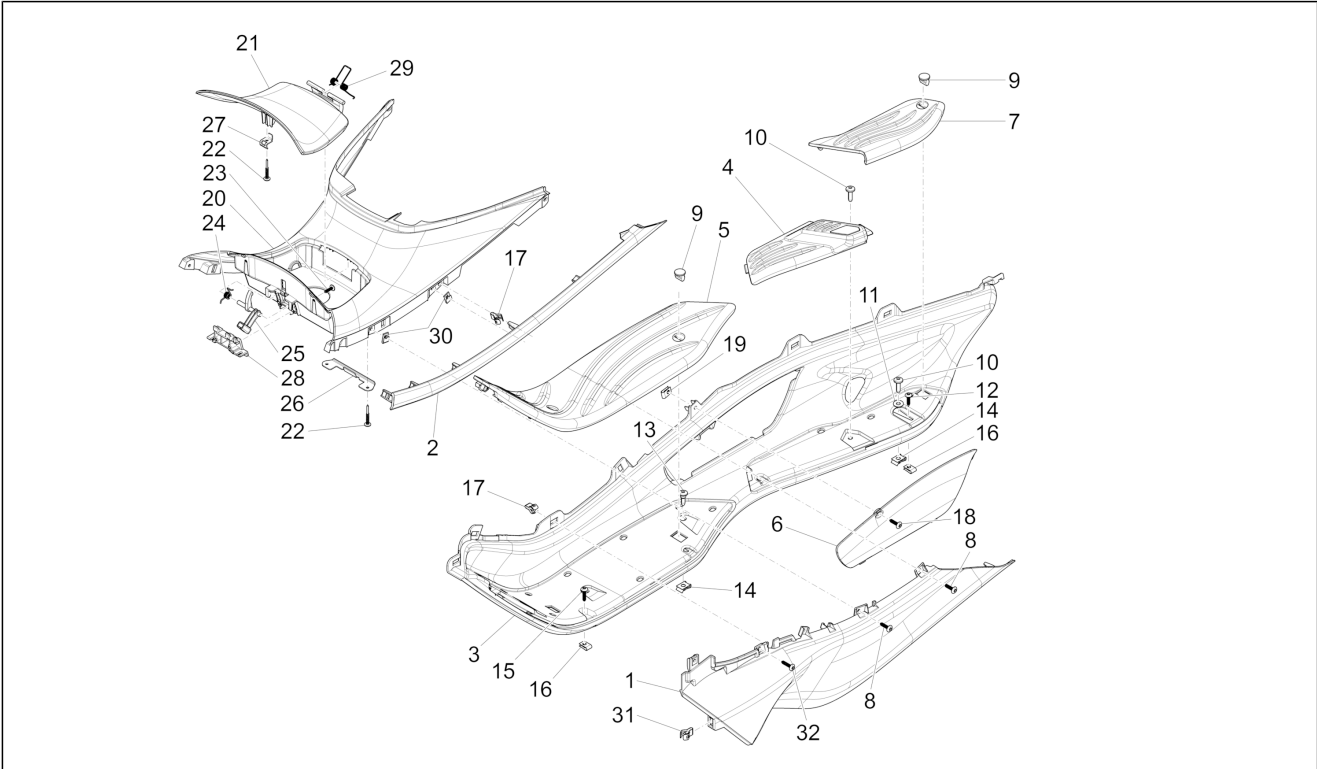
Pos.	Code	Description	Qty	Variants
1	673440	Left central side	1	
1	67344000BT	Left central side	1	Vehicle colour:White[566] ABS - NO ABS:ABS Version[ABS]
1	67344000BU	Left central side	1	Vehicle colour:Polished pastel white[595] ABS - NO ABS:ABS Version[ABS]
1	67344000DE	Left central side	1	Vehicle colour:Blue[222/A] Vehicle colour:Blue[222/A] ABS - NO ABS:ABS Version[ABS]
1	67344000EV	Left central side	1	Vehicle colour:Grey[713/B] Vehicle colour:Grey[713/B] ABS - NO ABS:ABS Version[ABS]
1	67344000H2	Left central side	1	Vehicle colour:Ice Grey[755/B] ABS - NO ABS:ABS Version[ABS]
1	67344000HC	Left central side	1	Vehicle colour:Matt grey[773/B] ABS - NO ABS:ABS Version[ABS]
1	67344000M8	Left central side	1	Vehicle colour:Brown[120/A] Vehicle colour:Brown[120/A] ABS - NO ABS:ABS Version[ABS]
1	67344000NO	Left central side	1	Vehicle colour:Matt Black[93/B] ABS - NO ABS:ABS Version[ABS]
1	67344000XN2	Left central side	1	Vehicle colour:BLACK[98/A] Vehicle colour:BLACK[98/A] ABS - NO ABS:ABS Version[ABS]
1	673441	Right central side	1	
1	67344100BT	Right central side	1	Vehicle colour:White[566] ABS - NO ABS:ABS Version[ABS]
1	67344100BU	Right central side	1	Vehicle colour:Polished pastel white[595] ABS - NO ABS:ABS Version[ABS]
1	67344100DE	Right central side	1	Vehicle colour:Blue[222/A] Vehicle colour:Blue[222/A] ABS - NO ABS:ABS Version[ABS]
1	67344100EV	Right central side	1	Vehicle colour:Grey[713/B] Vehicle colour:Grey[713/B]

Group	Frame - Plastic parts - Coachwork
Code	02.31
Description	Central cover - Footrests
Service	1



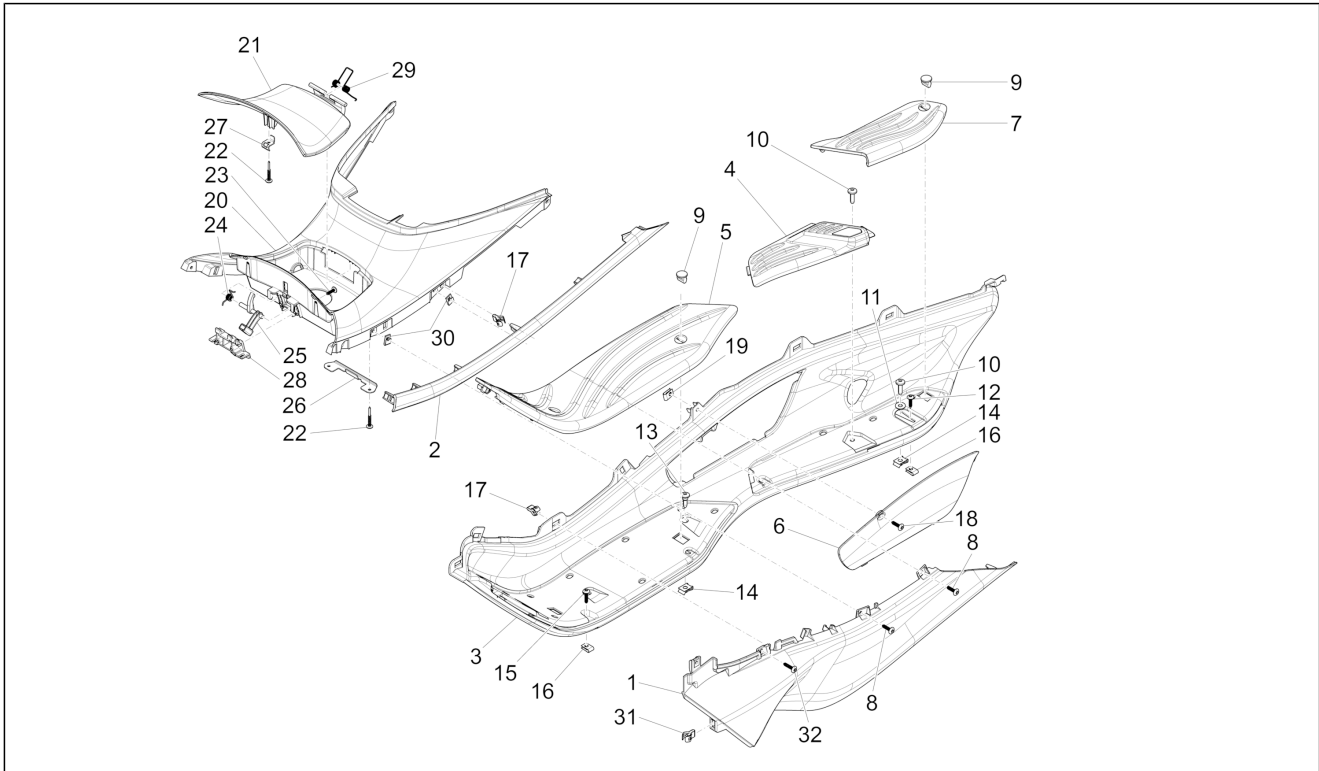
Pos.	Code	Description	Qty	Variants
				ABS - NO ABS:ABS Version[ABS]
1	67344100H2	Right central side	1	Vehicle colour:Ice Grey[755/B] ABS - NO ABS:ABS Version[ABS]
1	67344100HC	Right central side	1	Vehicle colour:Matt grey[773/B] ABS - NO ABS:ABS Version[ABS]
1	67344100M8	Right central side	1	Vehicle colour:Brown[120/A] Vehicle colour:Brown[120/A] ABS - NO ABS:ABS Version[ABS]
1	67344100NO	Right central side	1	Vehicle colour:Matt Black[93/B] ABS - NO ABS:ABS Version[ABS]
1	67344100XN2	Right central side	1	Vehicle colour:BLACK[98/A] Vehicle colour:BLACK[98/A] ABS - NO ABS:ABS Version[ABS]
2	1B0008485	Left central moulding	1	
2	1B0008495	Right central moulding	1	
2	673442	Left central moulding	1	
2	673443	Right central moulding	1	
3	67344900H7	LH footrest	1	Vehicle colour:BLACK[98/A] Vehicle colour:Grey[713/B] Vehicle colour:Blue[222/A] Vehicle colour:Brown[120/A] Vehicle colour:BLACK[98/A] ABS - NO ABS:ABS Version[ABS] Vehicle colour:White[566] ABS - NO ABS:ABS Version[ABS] Vehicle colour:Brown[120/A] ABS - NO ABS:ABS Version[ABS] Vehicle colour:Grey[713/B] ABS - NO ABS:ABS Version[ABS] Vehicle colour:Blue[222/A] ABS - NO ABS:ABS Version[ABS] Vehicle colour:Matt Black[93/B] ABS - NO ABS:ABS Version[ABS] Vehicle colour:Polished pastel white[595]

Group	Frame - Plastic parts - Coachwork
Code	02.31
Description	Central cover - Footrests
Service	1



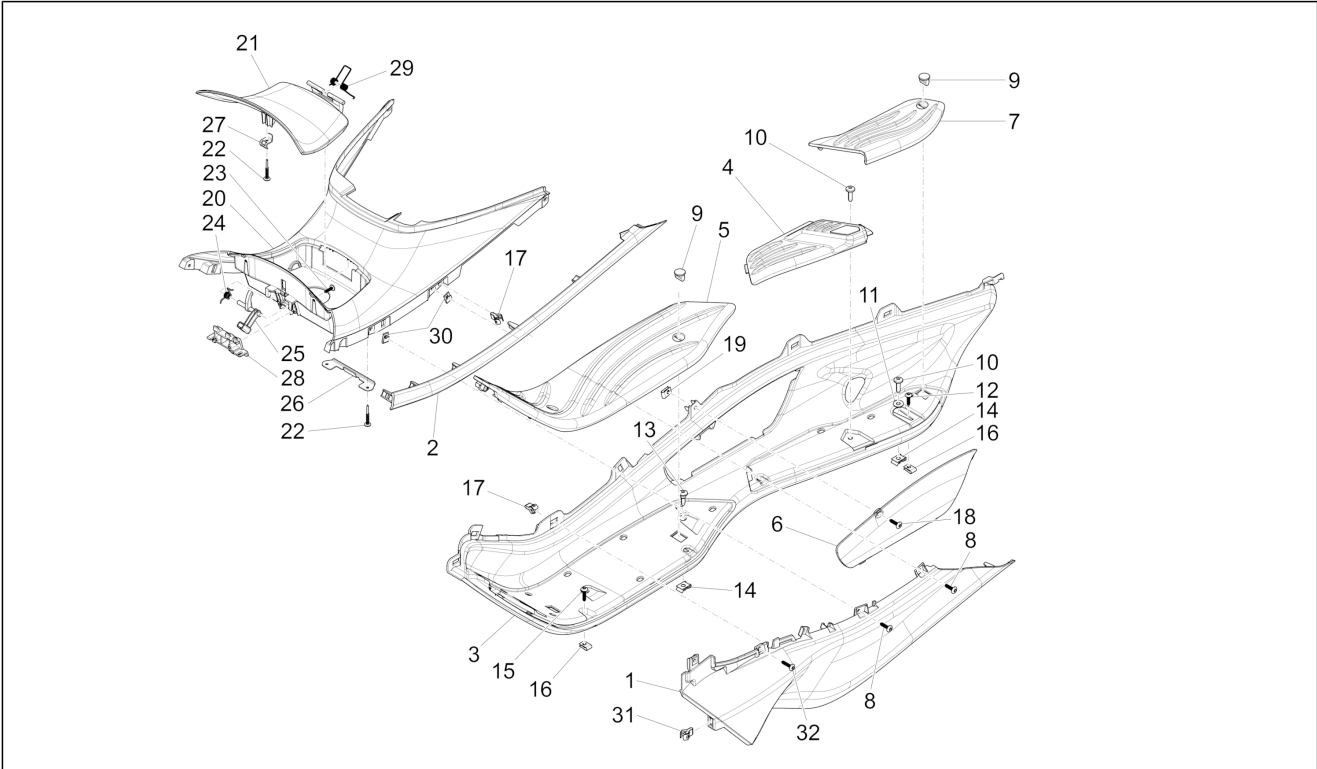
Pos.	Code	Description	Qty	Variants
				ABS - NO ABS:ABS Version[ABS] Vehicle colour:Matt grey[773/B] ABS - NO ABS:ABS Version[ABS] Vehicle colour:Ice Grey[755/B] ABS - NO ABS:ABS Version[ABS]
3	67345000H7	RH footrest	1	Vehicle colour:BLACK[98/A] Vehicle colour:Blue[222/A] Vehicle colour:Grey[713/B] Vehicle colour:Brown[120/A] Vehicle colour:BLACK[98/A] ABS - NO ABS:ABS Version[ABS] Vehicle colour:White[566] ABS - NO ABS:ABS Version[ABS] Vehicle colour:Brown[120/A] ABS - NO ABS:ABS Version[ABS] Vehicle colour:Grey[713/B] ABS - NO ABS:ABS Version[ABS] Vehicle colour:Blue[222/A] ABS - NO ABS:ABS Version[ABS] Vehicle colour:Matt Black[93/B] ABS - NO ABS:ABS Version[ABS] Vehicle colour:Polished pastel white[595] ABS - NO ABS:ABS Version[ABS] Vehicle colour:Matt grey[773/B] ABS - NO ABS:ABS Version[ABS] Vehicle colour:Ice Grey[755/B] ABS - NO ABS:ABS Version[ABS]
4	67345300H7	Left-hand passenger footrest	1	Vehicle colour:Blue[222/A] Vehicle colour:Grey[713/B] Vehicle colour:BLACK[98/A] Vehicle colour:Brown[120/A] Vehicle colour:BLACK[98/A] ABS - NO ABS:ABS Version[ABS] Vehicle colour:White[566] ABS - NO ABS:ABS Version[ABS] Vehicle colour:Brown[120/A] ABS - NO ABS:ABS Version[ABS]

Group	Frame - Plastic parts - Coachwork
Code	02.31
Description	Central cover - Footrests
Service	1



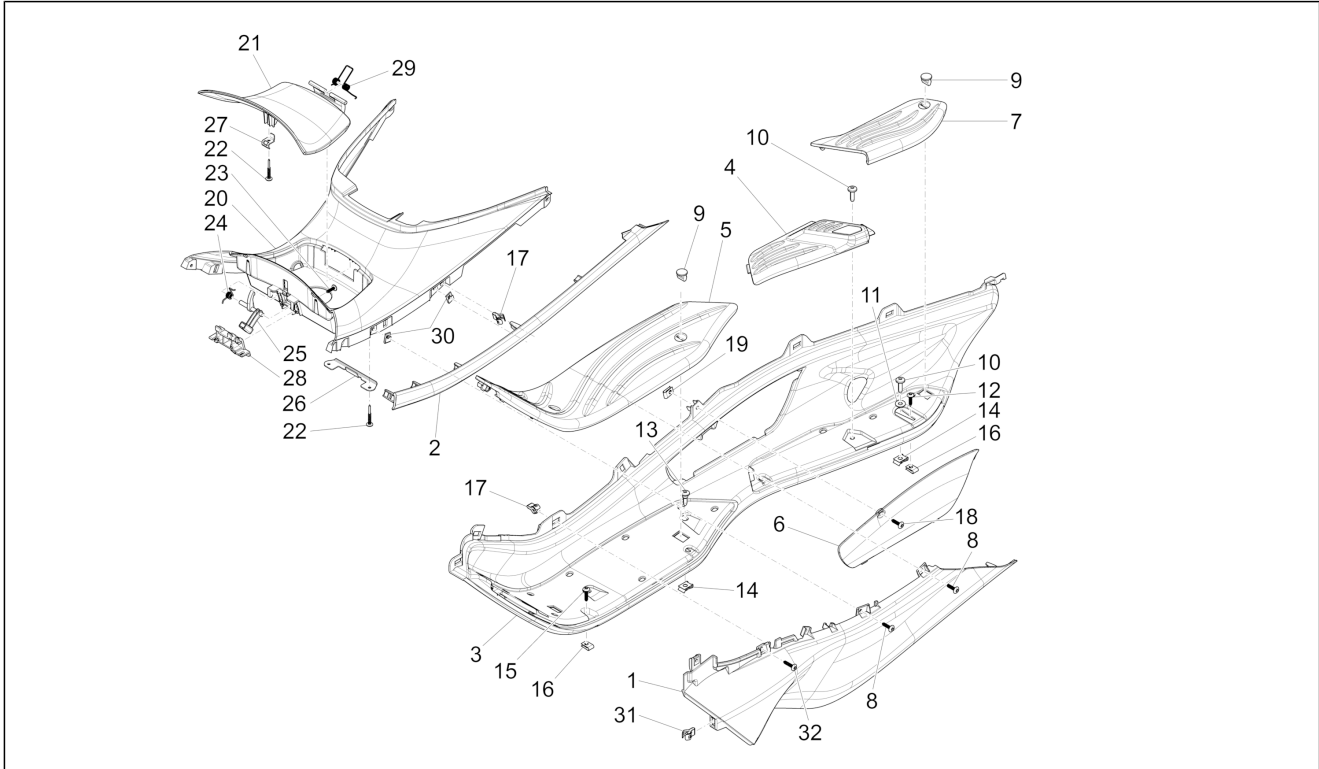
Pos.	Code	Description	Qty	Variants
				Vehicle colour:Grey[713/B] ABS - NO ABS:ABS Version[ABS] Vehicle colour:Blue[222/A] ABS - NO ABS:ABS Version[ABS] Vehicle colour:Matt Black[93/B] ABS - NO ABS:ABS Version[ABS] Vehicle colour:Polished pastel white[595] ABS - NO ABS:ABS Version[ABS] Vehicle colour:Matt grey[773/B] ABS - NO ABS:ABS Version[ABS] Vehicle colour:Ice Grey[755/B] ABS - NO ABS:ABS Version[ABS]
4	67345400H7	Right-hand passenger footrest	1	Vehicle colour:Blue[222/A] Vehicle colour:Grey[713/B] Vehicle colour:BLACK[98/A] Vehicle colour:Brown[120/A] Vehicle colour:BLACK[98/A] ABS - NO ABS:ABS Version[ABS] Vehicle colour:White[566] ABS - NO ABS:ABS Version[ABS] Vehicle colour:Brown[120/A] ABS - NO ABS:ABS Version[ABS] Vehicle colour:Grey[713/B] ABS - NO ABS:ABS Version[ABS] Vehicle colour:Blue[222/A] ABS - NO ABS:ABS Version[ABS] Vehicle colour:Matt Black[93/B] ABS - NO ABS:ABS Version[ABS] Vehicle colour:Polished pastel white[595] ABS - NO ABS:ABS Version[ABS] Vehicle colour:Matt grey[773/B] ABS - NO ABS:ABS Version[ABS] Vehicle colour:Ice Grey[755/B] ABS - NO ABS:ABS Version[ABS]
5	674003	Left front mat	1	
5	674004	Right front mat	1	

Group	Frame - Plastic parts - Coachwork
Code	02.31
Description	Central cover - Footrests
Service	1



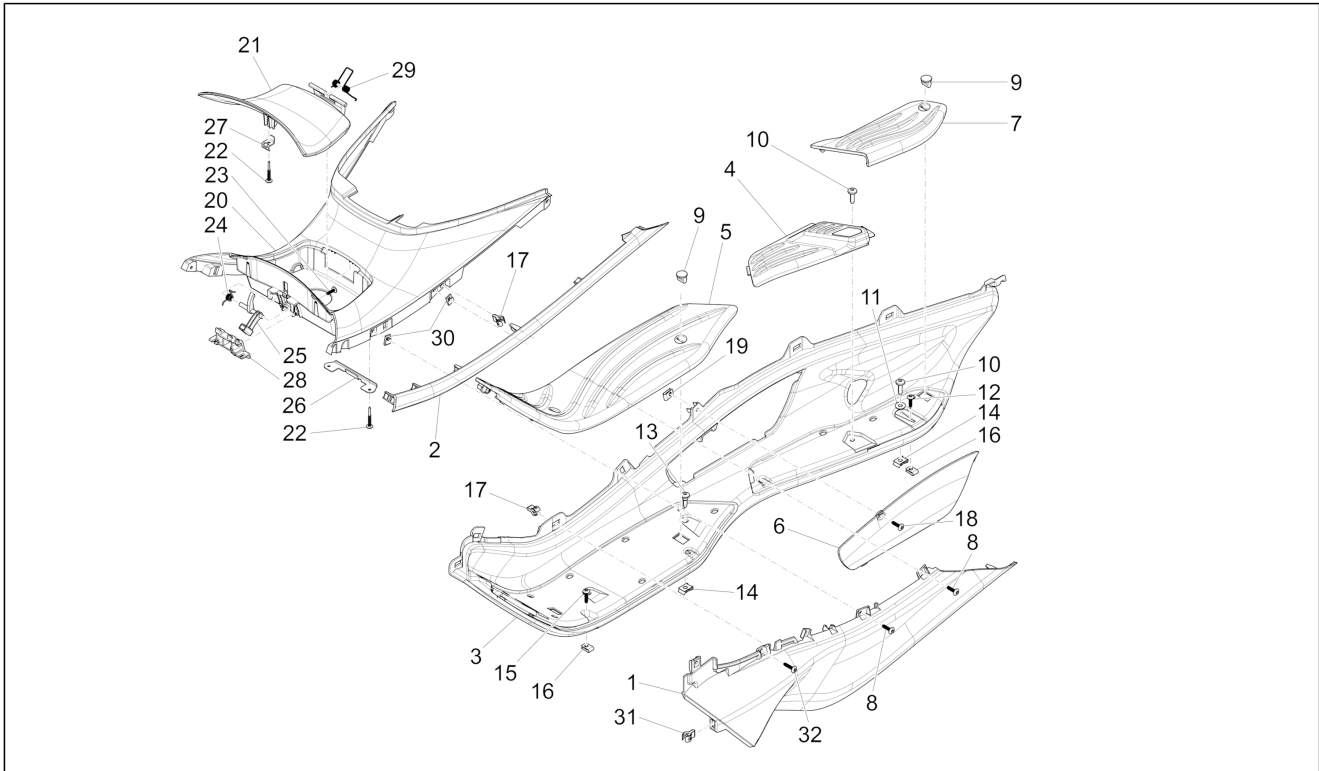
Pos.	Code	Description	Qty	Variants
6	67402200H7	Left spark plug inspection cover	1	Vehicle colour:Grey[713/B] Vehicle colour:BLACK[98/A] Vehicle colour:Blue[222/A] Vehicle colour:Brown[120/A] Vehicle colour:BLACK[98/A] ABS - NO ABS:ABS Version[ABS] Vehicle colour:White[566] ABS - NO ABS:ABS Version[ABS] Vehicle colour:Brown[120/A] ABS - NO ABS:ABS Version[ABS] Vehicle colour:Grey[713/B] ABS - NO ABS:ABS Version[ABS] Vehicle colour:Blue[222/A] ABS - NO ABS:ABS Version[ABS] Vehicle colour:Matt Black[93/B] ABS - NO ABS:ABS Version[ABS] Vehicle colour:Polished pastel white[595] ABS - NO ABS:ABS Version[ABS] Vehicle colour:Matt grey[773/B] ABS - NO ABS:ABS Version[ABS] Vehicle colour:Ice Grey[755/B] ABS - NO ABS:ABS Version[ABS]
6	67402300H7	Right spark plug inspection cover	1	Vehicle colour:BLACK[98/A] Vehicle colour:Grey[713/B] Vehicle colour:Blue[222/A] Vehicle colour:Brown[120/A] Vehicle colour:BLACK[98/A] ABS - NO ABS:ABS Version[ABS] Vehicle colour:White[566] ABS - NO ABS:ABS Version[ABS] Vehicle colour:Brown[120/A] ABS - NO ABS:ABS Version[ABS] Vehicle colour:Grey[713/B] ABS - NO ABS:ABS Version[ABS] Vehicle colour:Blue[222/A] ABS - NO ABS:ABS Version[ABS] Vehicle colour:Matt Black[93/B]

Group	Frame - Plastic parts - Coachwork
Code	02.31
Description	Central cover - Footrests
Service	1



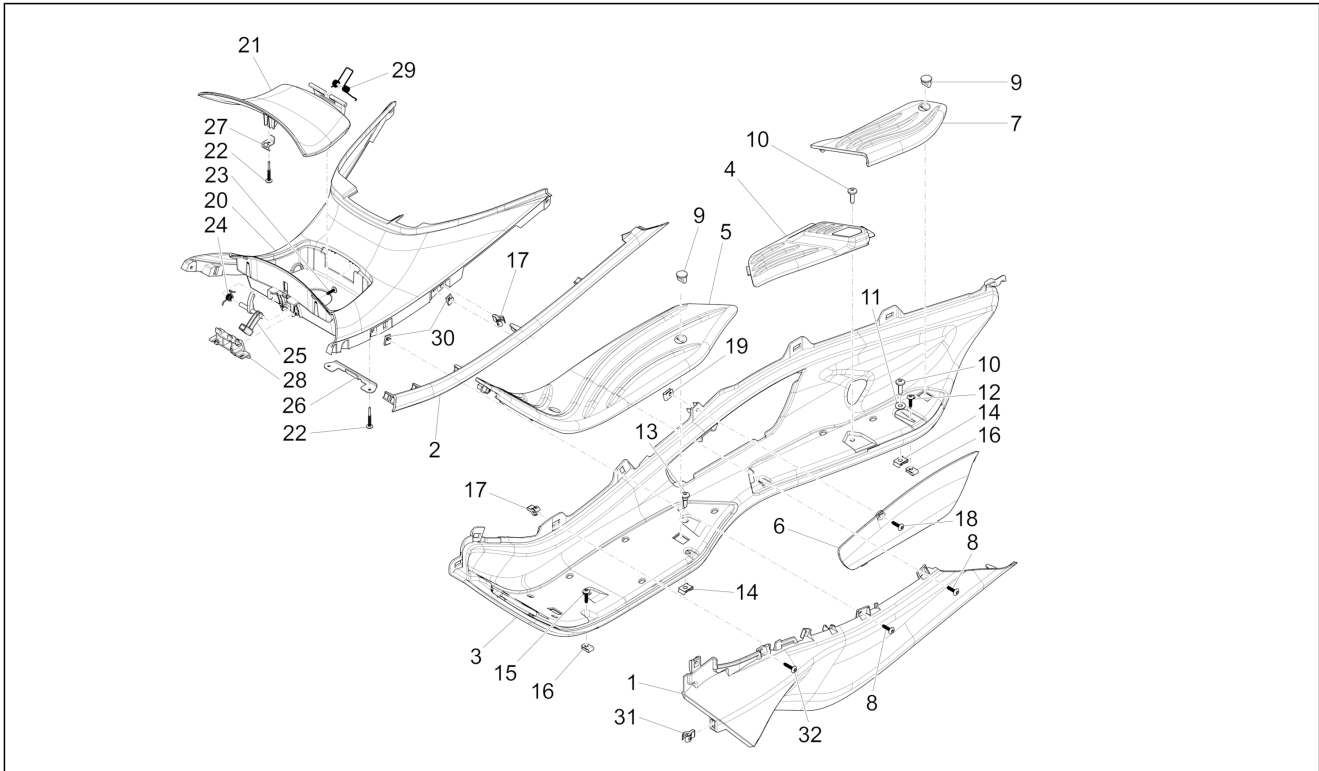
Pos.	Code	Description	Qty	Variants
				ABS - NO ABS: ABS Version[ABS] Vehicle colour: Polished pastel white[595] ABS - NO ABS: ABS Version[ABS] Vehicle colour: Matt grey[773/B] ABS - NO ABS: ABS Version[ABS] Vehicle colour: Ice Grey[755/B] ABS - NO ABS: ABS Version[ABS]
7	674204	Left passenger floor mat	1	
7	674205	Right passenger floor mat	1	
8	CM178603	Self tapping screw D4.2x13	4	
9	CM011101	Pin	8	
10	CM179302	Metric screw M6x22	6	
11	297029	Washer	4	
12	CM178602	Self tapping screw	12	
13	CM179201	Metric screw M6x22	12	
14	254485	Spring plate M6	20	
15	CM178610	Self-tapping screw	4	
16	CM017410	Spring plate	16	
	D9004468091	Gripper clip	20	
18	CM178603	Self tapping screw D4.2x13	2	
19	CM017410	Spring plate	2	
20	67344600H7	Centre tunnel	1	Vehicle colour: Brown[120/A] Vehicle colour: BLACK[98/A] Vehicle colour: Grey[713/B] Vehicle colour: Blue[222/A] Vehicle colour: BLACK[98/A] ABS - NO ABS: ABS Version[ABS] Vehicle colour: White[566] ABS - NO ABS: ABS Version[ABS] Vehicle colour: Brown[120/A] ABS - NO ABS: ABS Version[ABS] Vehicle colour: Grey[713/B] ABS - NO ABS: ABS Version[ABS]

Group	Frame - Plastic parts - Coachwork
Code	02.31
Description	Central cover - Footrests
Service	1



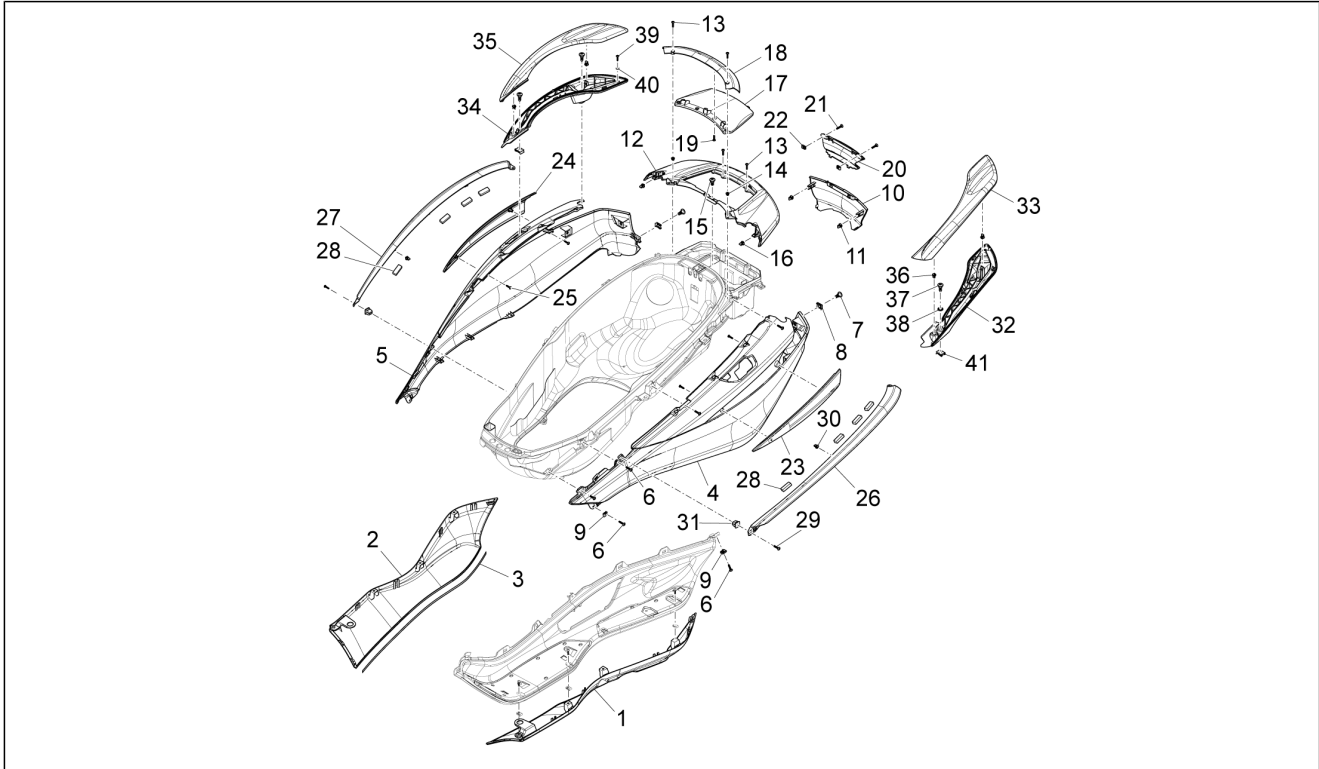
Pos.	Code	Description	Qty	Variants
				Vehicle colour:Blue[222/A] ABS - NO ABS:ABS Version[ABS] Vehicle colour:Matt Black[93/B] ABS - NO ABS:ABS Version[ABS] Vehicle colour:Polished pastel white[595] ABS - NO ABS:ABS Version[ABS] Vehicle colour:Matt grey[773/B] ABS - NO ABS:ABS Version[ABS] Vehicle colour:Ice Grey[755/B] ABS - NO ABS:ABS Version[ABS]
21	67344700H7	Tunnel door	1	Vehicle colour:Blue[222/A] Vehicle colour:Grey[713/B] Vehicle colour:BLACK[98/A] Vehicle colour:Brown[120/A] Vehicle colour:BLACK[98/A] ABS - NO ABS:ABS Version[ABS] Vehicle colour:White[566] ABS - NO ABS:ABS Version[ABS] Vehicle colour:Brown[120/A] ABS - NO ABS:ABS Version[ABS] Vehicle colour:Grey[713/B] ABS - NO ABS:ABS Version[ABS] Vehicle colour:Blue[222/A] ABS - NO ABS:ABS Version[ABS] Vehicle colour:Matt Black[93/B] ABS - NO ABS:ABS Version[ABS] Vehicle colour:Polished pastel white[595] ABS - NO ABS:ABS Version[ABS] Vehicle colour:Matt grey[773/B] ABS - NO ABS:ABS Version[ABS] Vehicle colour:Ice Grey[755/B] ABS - NO ABS:ABS Version[ABS]
22	297498	Self tapping screw M3,5x13	3	
23	CM180701	Self tapping screw D4x16	2	
24	575604	Spring	1	
25	576626	Cam lever	1	

Group	Frame - Plastic parts - Coachwork
Code	02.31
Description	Central cover - Footrests
Service	1



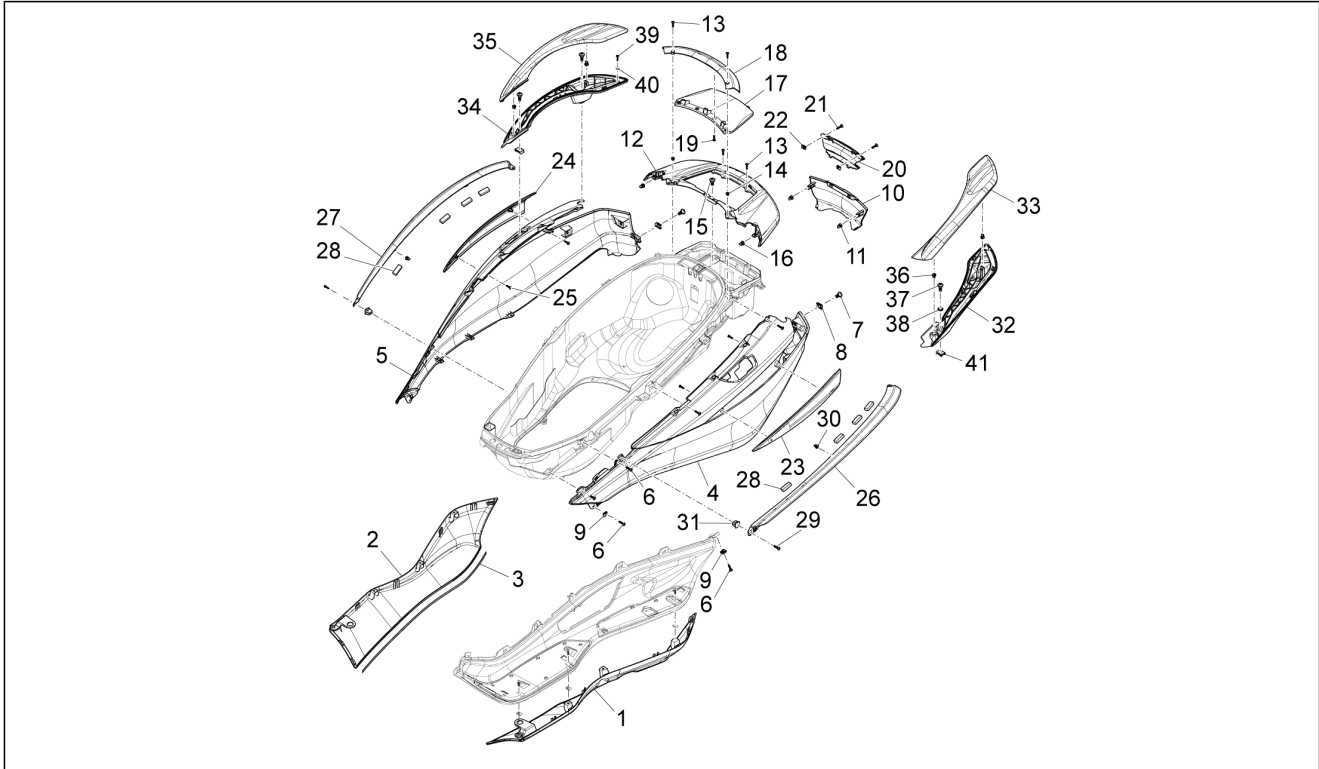
Pos.	Code	Description	Qty	Variants
26	674228	Flap fixing plate	1	
27	AP8161182	Plate	1	
28	620491	Maintenance	1	
29	621507	Spring	1	
30	CM017410	Spring plate	4	
31	D9004468091	Gripper clip	1	
32	CM178601	Self tapping screw D4.2x16	4	

Group	Frame - Plastic parts - Coachwork
Code	02.32
Description	Side cover - Spoiler
Service	1



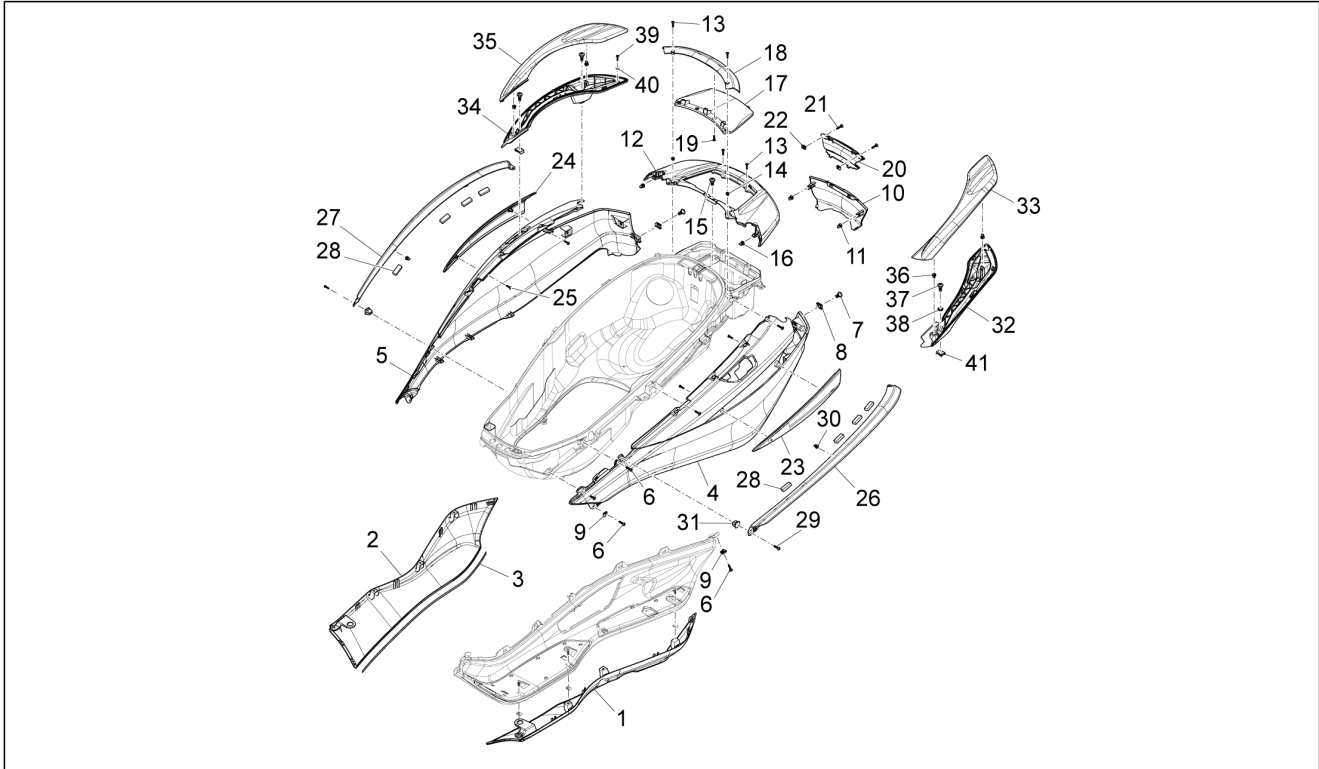
Pos.	Code	Description	Qty	Variants
1	1B000130	Left spoiler	1	Vehicle colour:Polished pastel white[595] ABS - NO ABS:No ABS[No ABS] Vehicle colour:Matt Black[93/B] ABS - NO ABS:No ABS[No ABS] Vehicle colour:Ice Grey[755/B] ABS - NO ABS:No ABS[No ABS] Vehicle colour:Matt grey[773/B] ABS - NO ABS:No ABS[No ABS]
1	673451	Left spoiler	1	
1	67345100BT	Left spoiler	1	Vehicle colour:White[566] ABS - NO ABS:ABS Version[ABS]
1	67345100DE	Left spoiler	1	Vehicle colour:Blue[222/A] Vehicle colour:Blue[222/A] ABS - NO ABS:ABS Version[ABS]
1	67345100EV	Left spoiler	1	Vehicle colour:Grey[713/B] Vehicle colour:Grey[713/B] ABS - NO ABS:ABS Version[ABS]
1	67345100XN2	Left spoiler	1	Vehicle colour:BLACK[98/A] Vehicle colour:BLACK[98/A] ABS - NO ABS:ABS Version[ABS]
1	67502800NM	Left spoiler	1	Vehicle colour:Brown[120/A] Vehicle colour:Brown[120/A] ABS - NO ABS:ABS Version[ABS] Vehicle colour:Matt Black[93/B] ABS - NO ABS:ABS Version[ABS] Vehicle colour:Polished pastel white[595] ABS - NO ABS:ABS Version[ABS] Vehicle colour:Matt grey[773/B] ABS - NO ABS:ABS Version[ABS] Vehicle colour:Ice Grey[755/B] ABS - NO ABS:ABS Version[ABS]
2	1B000131	Right spoiler	1	Vehicle colour:Polished pastel white[595] ABS - NO ABS:No ABS[No ABS] Vehicle colour:Matt Black[93/B] ABS - NO ABS:No ABS[No ABS]

Group	Frame - Plastic parts - Coachwork
Code	02.32
Description	Side cover - Spoiler
Service	1



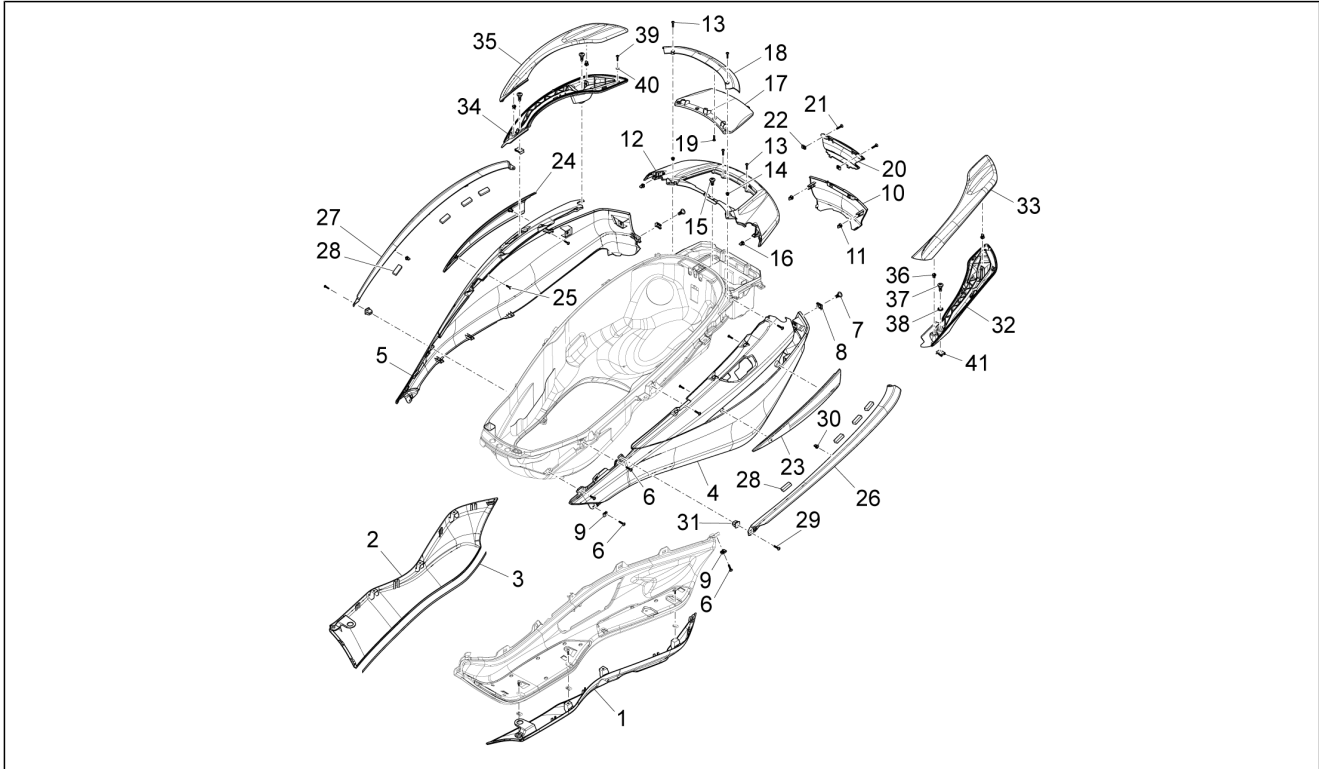
Pos.	Code	Description	Qty	Variants
				Vehicle colour:Ice Grey[755/B] ABS - NO ABS:No ABS[No ABS] Vehicle colour:Matt grey[773/B] ABS - NO ABS:No ABS[No ABS]
2	673452	Right spoiler	1	
2	67345200BT	Right spoiler	1	Vehicle colour:White[566] ABS - NO ABS:ABS Version[ABS]
2	67345200DE	Right spoiler	1	Vehicle colour:Blue[222/A] Vehicle colour:Blue[222/A] ABS - NO ABS:ABS Version[ABS]
2	67345200EV	Right spoiler	1	Vehicle colour:Grey[713/B] Vehicle colour:Grey[713/B] ABS - NO ABS:ABS Version[ABS]
2	67345200NM	Right spoiler	1	Vehicle colour:Brown[120/A] Vehicle colour:Brown[120/A] ABS - NO ABS:ABS Version[ABS] Vehicle colour:Matt Black[93/B] ABS - NO ABS:ABS Version[ABS] Vehicle colour:Polished pastel white[595] ABS - NO ABS:ABS Version[ABS] Vehicle colour:Matt grey[773/B] ABS - NO ABS:ABS Version[ABS] Vehicle colour:Ice Grey[755/B] ABS - NO ABS:ABS Version[ABS]
2	67345200XN2	Right spoiler	1	Vehicle colour:BLACK[98/A] Vehicle colour:BLACK[98/A] ABS - NO ABS:ABS Version[ABS]
3	CM017718	Gasket L=120 D = 7	1	
4	673455	Rear body side l.h.	1	
4	67345500BT	Rear body side l.h.	1	Vehicle colour:White[566] ABS - NO ABS:ABS Version[ABS]
4	67345500DE	Rear body side l.h.	1	Vehicle colour:Blue[222/A] Vehicle colour:Blue[222/A] ABS - NO ABS:ABS Version[ABS]

Group	Frame - Plastic parts - Coachwork
Code	02.32
Description	Side cover - Spoiler
Service	1



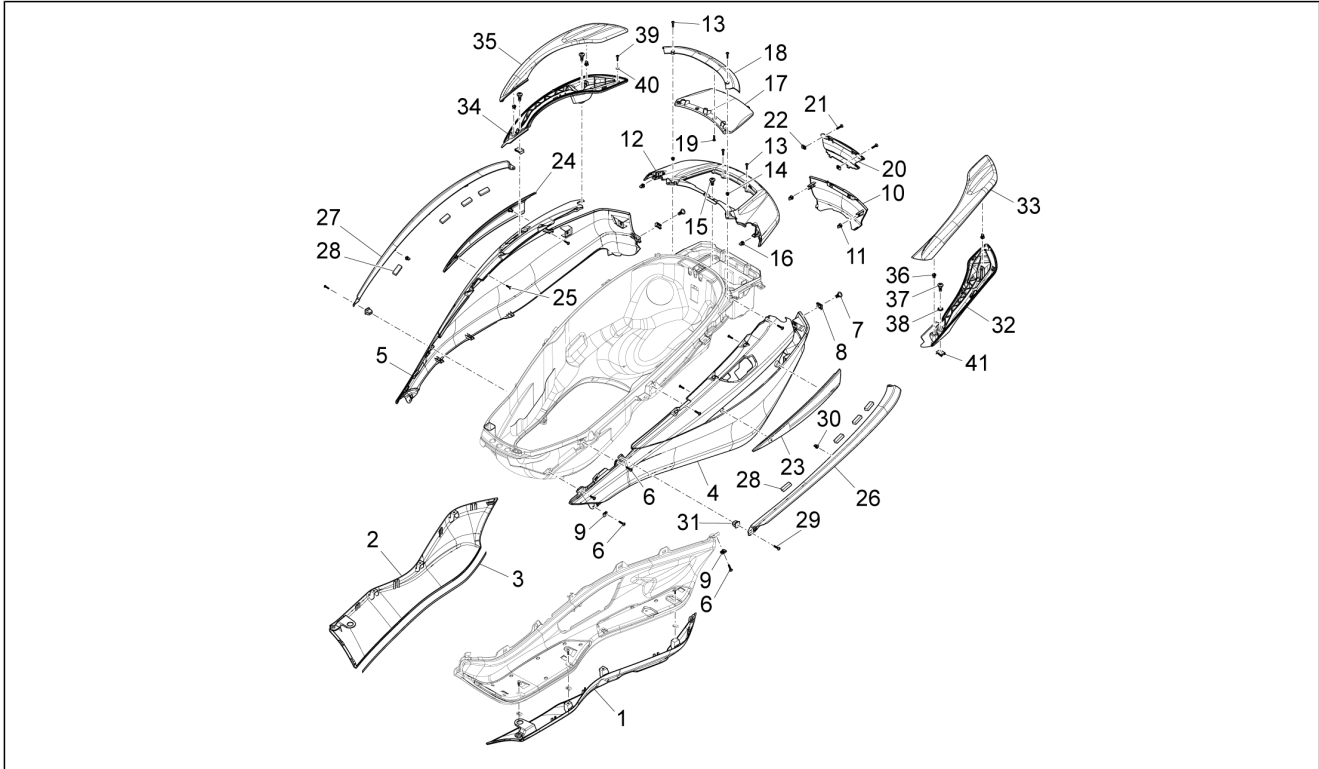
Pos.	Code	Description	Qty	Variants
4	67345500EV	Rear body side l.h.	1	Vehicle colour:Grey[713/B] Vehicle colour:Grey[713/B] ABS - NO ABS:ABS Version[ABS]
4	67345500M8	Rear body side l.h.	1	Vehicle colour:Brown[120/A] Vehicle colour:Brown[120/A] ABS - NO ABS:ABS Version[ABS]
4	67345500XN2	Rear body side l.h.	1	Vehicle colour:BLACK[98/A] Vehicle colour:BLACK[98/A] ABS - NO ABS:ABS Version[ABS]
4	67502700BU	Rear body side l.h.	1	Vehicle colour:Polished pastel white[595] ABS - NO ABS:No ABS[No ABS] Vehicle colour:Polished pastel white[595] ABS - NO ABS:ABS Version[ABS]
4	67502700H2	Rear body side l.h.	1	Vehicle colour:Ice Grey[755/B] ABS - NO ABS:ABS Version[ABS] Vehicle colour:Ice Grey[755/B] ABS - NO ABS:No ABS[No ABS]
4	67502700HC	Rear body side l.h.	1	Vehicle colour:Matt grey[773/B] ABS - NO ABS:ABS Version[ABS] Vehicle colour:Matt grey[773/B] ABS - NO ABS:No ABS[No ABS]
4	67502700NO	Rear body side l.h.	1	Vehicle colour:Matt Black[93/B] ABS - NO ABS:No ABS[No ABS] Vehicle colour:Matt Black[93/B] ABS - NO ABS:ABS Version[ABS]
5	673456	Rear body side r.h.	1	
5	67345600BT	Rear body side r.h.	1	Vehicle colour:White[566] ABS - NO ABS:ABS Version[ABS]
5	67345600BU	Rear body side r.h.	1	Vehicle colour:Polished pastel white[595] ABS - NO ABS:No ABS[No ABS] Vehicle colour:Polished pastel white[595] ABS - NO ABS:ABS Version[ABS]
5	67345600DE	Rear body side r.h.	1	Vehicle colour:Blue[222/A] Vehicle colour:Blue[222/A]

Group	Frame - Plastic parts - Coachwork
Code	02.32
Description	Side cover - Spoiler
Service	1



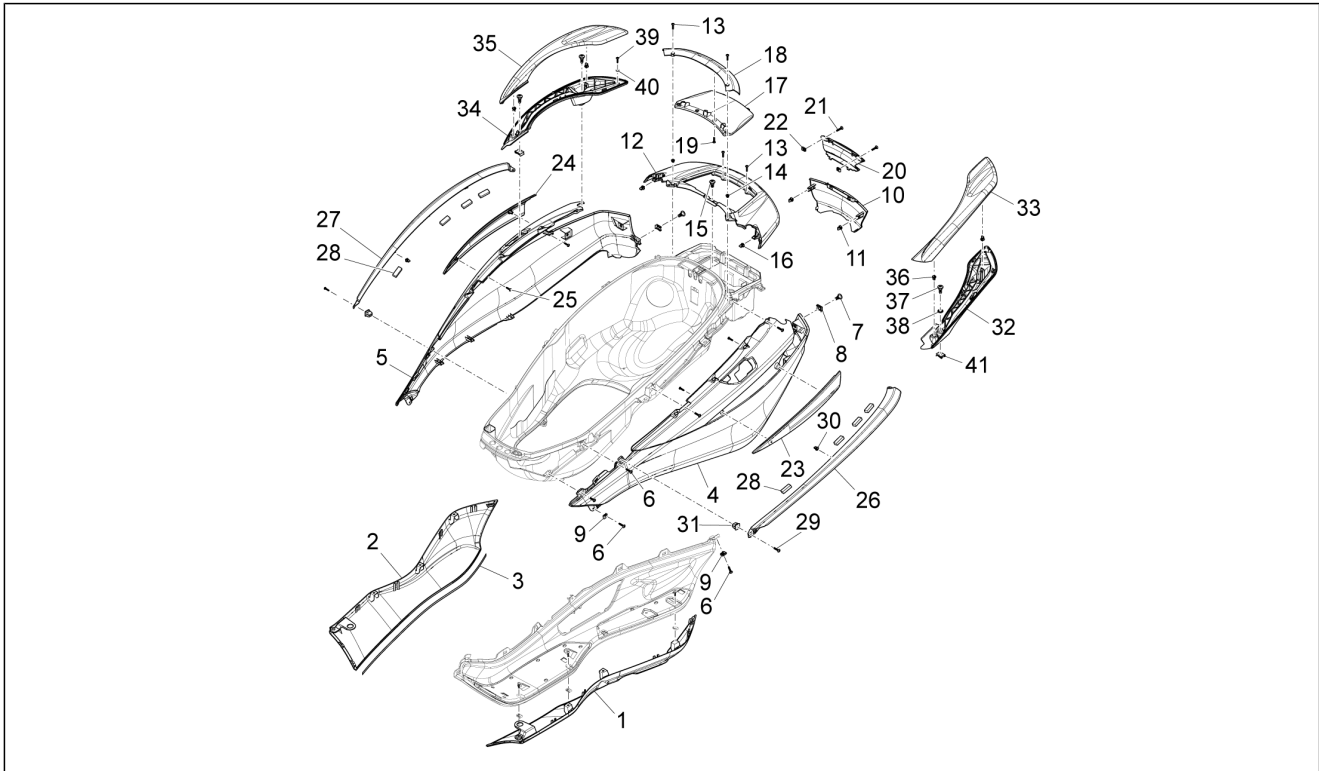
Pos.	Code	Description	Qty	Variants
				ABS - NO ABS:ABS Version[ABS]
5	67345600EV	Rear body side r.h.	1	Vehicle colour:Grey[713/B] Vehicle colour:Grey[713/B] ABS - NO ABS:ABS Version[ABS]
5	67345600H2	Rear body side r.h.	1	Vehicle colour:Ice Grey[755/B] ABS - NO ABS:ABS Version[ABS] Vehicle colour:Ice Grey[755/B] ABS - NO ABS:No ABS[No ABS]
5	67345600HC	Rear body side r.h.	1	Vehicle colour:Matt grey[773/B] ABS - NO ABS:ABS Version[ABS] Vehicle colour:Matt grey[773/B] ABS - NO ABS:No ABS[No ABS]
5	67345600M8	Rear body side r.h.	1	Vehicle colour:Brown[120/A] Vehicle colour:Brown[120/A] ABS - NO ABS:ABS Version[ABS]
5	67345600NO	Rear body side r.h.	1	Vehicle colour:Matt Black[93/B] ABS - NO ABS:ABS Version[ABS] Vehicle colour:Matt Black[93/B] ABS - NO ABS:No ABS[No ABS]
5	67345600XN2	Rear body side r.h.	1	Vehicle colour:BLACK[98/A] Vehicle colour:BLACK[98/A] ABS - NO ABS:ABS Version[ABS]
6	CM178603	Self tapping screw D4.2x13	12	
7	CM179301	Screw M6x16	2	
8	254485	Spring plate M6	2	
9	CM017410	Spring plate	4	
10	673458	Lower rear cover	1	
10	67345800BT	Lower rear cover	1	Vehicle colour:White[566] ABS - NO ABS:ABS Version[ABS]
10	67345800BU	Lower rear cover	1	Vehicle colour:Polished pastel white[595] ABS - NO ABS:No ABS[No ABS] Vehicle colour:Polished pastel white[595] ABS - NO ABS:ABS Version[ABS]

Group	Frame - Plastic parts - Coachwork
Code	02.32
Description	Side cover - Spoiler
Service	1



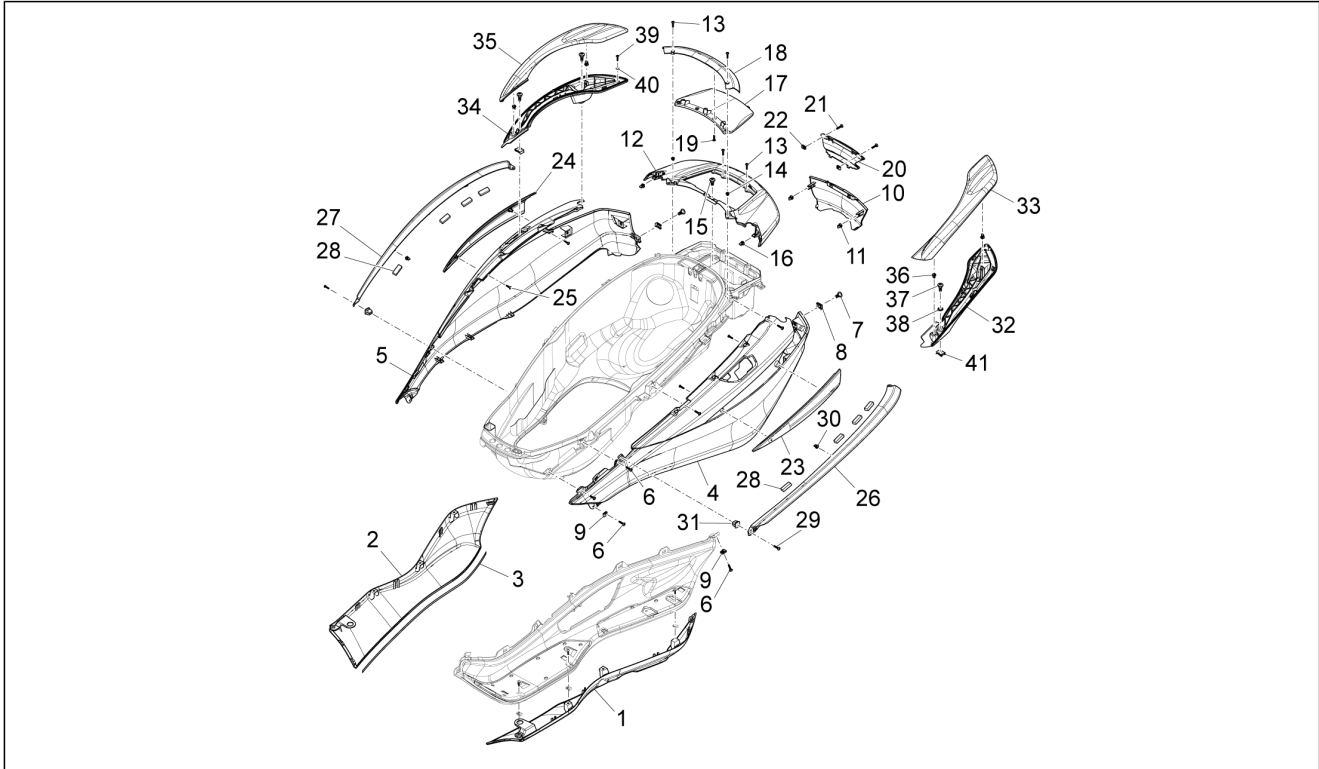
Pos.	Code	Description	Qty	Variants
10	67345800DE	Lower rear cover	1	Vehicle colour:Blue[222/A] Vehicle colour:Blue[222/A] ABS - NO ABS:ABS Version[ABS]
10	67345800EV	Lower rear cover	1	Vehicle colour:Grey[713/B] Vehicle colour:Grey[713/B] ABS - NO ABS:ABS Version[ABS]
10	67345800H2	Lower rear cover	1	Vehicle colour:Ice Grey[755/B] ABS - NO ABS:ABS Version[ABS] Vehicle colour:Ice Grey[755/B] ABS - NO ABS:No ABS[No ABS]
10	67345800HC	Lower rear cover	1	Vehicle colour:Matt grey[773/B] ABS - NO ABS:ABS Version[ABS] Vehicle colour:Matt grey[773/B] ABS - NO ABS:No ABS[No ABS]
10	67345800M8	Lower rear cover	1	Vehicle colour:Brown[120/A] Vehicle colour:Brown[120/A] ABS - NO ABS:ABS Version[ABS]
10	67345800NO	Lower rear cover	1	Vehicle colour:Matt Black[93/B] ABS - NO ABS:ABS Version[ABS] Vehicle colour:Matt Black[93/B] ABS - NO ABS:No ABS[No ABS]
10	67345800XN2	Lower rear cover	1	Vehicle colour:BLACK[98/A] Vehicle colour:BLACK[98/A] ABS - NO ABS:ABS Version[ABS]
11	D9004468091	Gripper clip	2	
12	674865	Upper rear cover	1	
12	67486500BT	Upper rear cover	1	Vehicle colour:White[566] ABS - NO ABS:ABS Version[ABS]
12	67486500BU	Upper rear cover	1	Vehicle colour:Polished pastel white[595] ABS - NO ABS:ABS Version[ABS] Vehicle colour:Polished pastel white[595] ABS - NO ABS:No ABS[No ABS]
12	67486500DE	Upper rear cover	1	Vehicle colour:Blue[222/A] Vehicle colour:Blue[222/A]

Group	Frame - Plastic parts - Coachwork
Code	02.32
Description	Side cover - Spoiler
Service	1



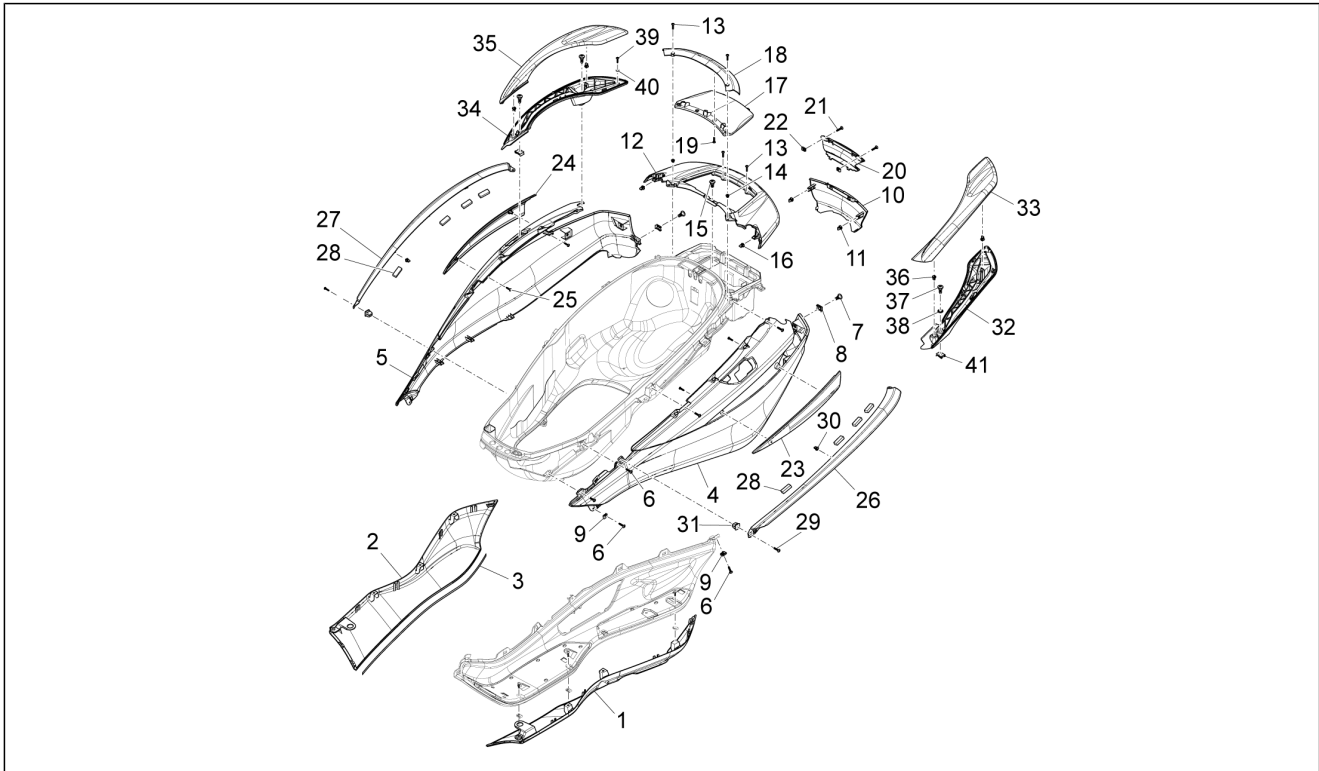
Pos.	Code	Description	Qty	Variants
				ABS - NO ABS:ABS Version[ABS]
12	67486500EV	Upper rear cover	1	Vehicle colour:Grey[713/B] Vehicle colour:Grey[713/B] ABS - NO ABS:ABS Version[ABS]
12	67486500H2	Upper rear cover	1	Vehicle colour:Ice Grey[755/B] ABS - NO ABS:ABS Version[ABS] Vehicle colour:Ice Grey[755/B] ABS - NO ABS:No ABS[No ABS]
12	67486500HC	Upper rear cover	1	Vehicle colour:Matt grey[773/B] ABS - NO ABS:ABS Version[ABS] Vehicle colour:Matt grey[773/B] ABS - NO ABS:No ABS[No ABS]
12	67486500M8	Upper rear cover	1	Vehicle colour:Brown[120/A] Vehicle colour:Brown[120/A] ABS - NO ABS:ABS Version[ABS]
12	67486500NO	Upper rear cover	1	Vehicle colour:Matt Black[93/B] ABS - NO ABS:ABS Version[ABS] Vehicle colour:Matt Black[93/B] ABS - NO ABS:No ABS[No ABS]
12	67486500XN2	Upper rear cover	1	Vehicle colour:BLACK[98/A] Vehicle colour:BLACK[98/A] ABS - NO ABS:ABS Version[ABS]
13	CM178603	Self tapping screw D4.2x13	4	
14	157716	Expansion plug	2	
15	CM179202	screw	1	
16	D9004468091	Gripper clip	2	
17	674867	Battery door	1	
17	67486700BT	Battery door	1	Vehicle colour:White[566] ABS - NO ABS:ABS Version[ABS]
17	67486700BU	Battery door	1	Vehicle colour:Polished pastel white[595] ABS - NO ABS:ABS Version[ABS] Vehicle colour:Polished pastel white[595] ABS - NO ABS:No ABS[No ABS]

Group	Frame - Plastic parts - Coachwork
Code	02.32
Description	Side cover - Spoiler
Service	1



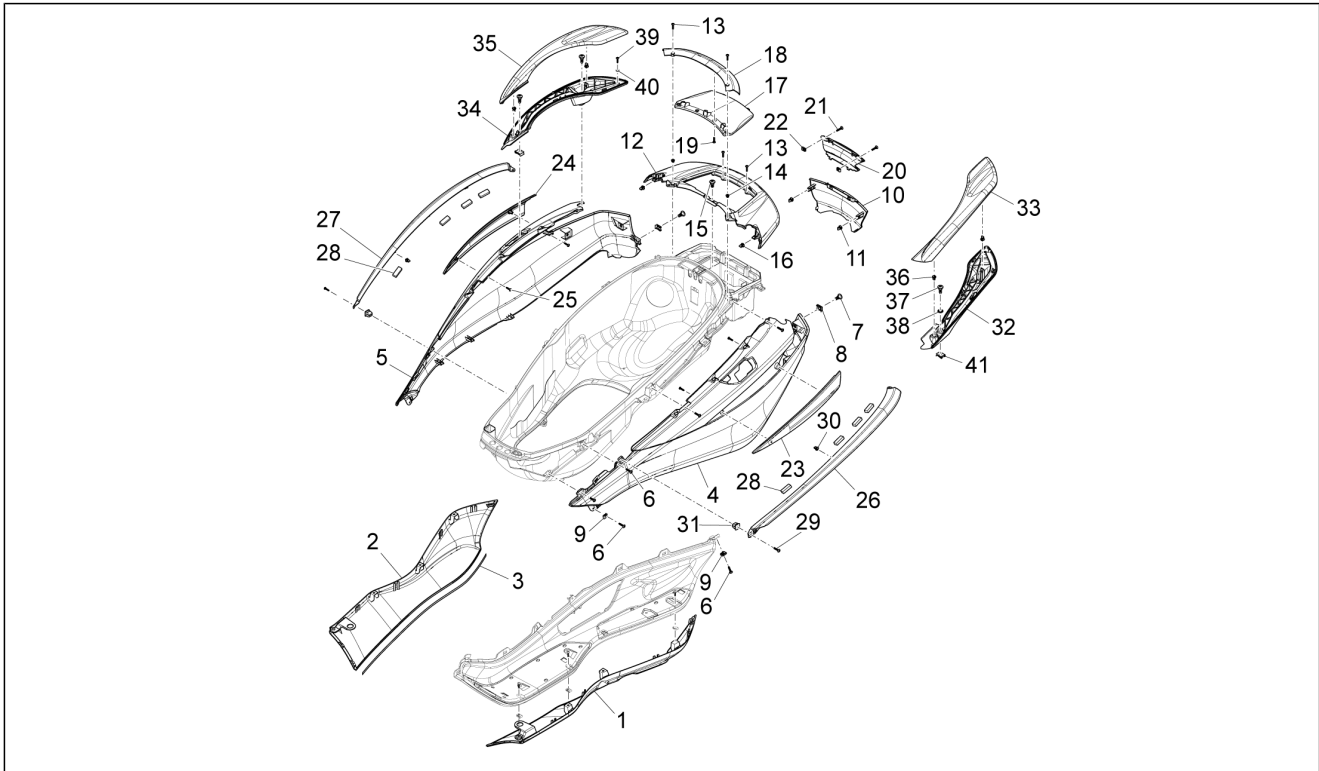
Pos.	Code	Description	Qty	Variants
17	67486700DE	Battery door	1	Vehicle colour:Blue[222/A] Vehicle colour:Blue[222/A] ABS - NO ABS:ABS Version[ABS]
17	67486700EV	Battery door	1	Vehicle colour:Grey[713/B] Vehicle colour:Grey[713/B] ABS - NO ABS:ABS Version[ABS]
17	67486700H2	Battery door	1	Vehicle colour:Ice Grey[755/B] ABS - NO ABS:ABS Version[ABS] Vehicle colour:Ice Grey[755/B] ABS - NO ABS:No ABS[No ABS]
17	67486700HC	Battery door	1	Vehicle colour:Matt grey[773/B] ABS - NO ABS:ABS Version[ABS] Vehicle colour:Matt grey[773/B] ABS - NO ABS:No ABS[No ABS]
17	67486700M8	Battery door	1	Vehicle colour:Brown[120/A] Vehicle colour:Brown[120/A] ABS - NO ABS:ABS Version[ABS]
17	67486700NO	Battery door	1	Vehicle colour:Matt Black[93/B] ABS - NO ABS:No ABS[No ABS] Vehicle colour:Matt Black[93/B] ABS - NO ABS:ABS Version[ABS]
17	67486700XN2	Battery door	1	Vehicle colour:BLACK[98/A] Vehicle colour:BLACK[98/A] ABS - NO ABS:ABS Version[ABS]
18	674866	Central rear frame	1	
19	CM180701	Self tapping screw D4x16	4	
20	673460	Central rear protection	1	
21	CM178601	Self tapping screw D4.2x16	2	
22	CM017410	Spring plate	2	
23	1B000142	LH lateral side fairing protection	1	
23	673461	Left rear lateral protection	1	Vehicle colour:Blue[222/A] Vehicle colour:White[566] Vehicle colour:BLACK[98/A]

Group	Frame - Plastic parts - Coachwork
Code	02.32
Description	Side cover - Spoiler
Service	1



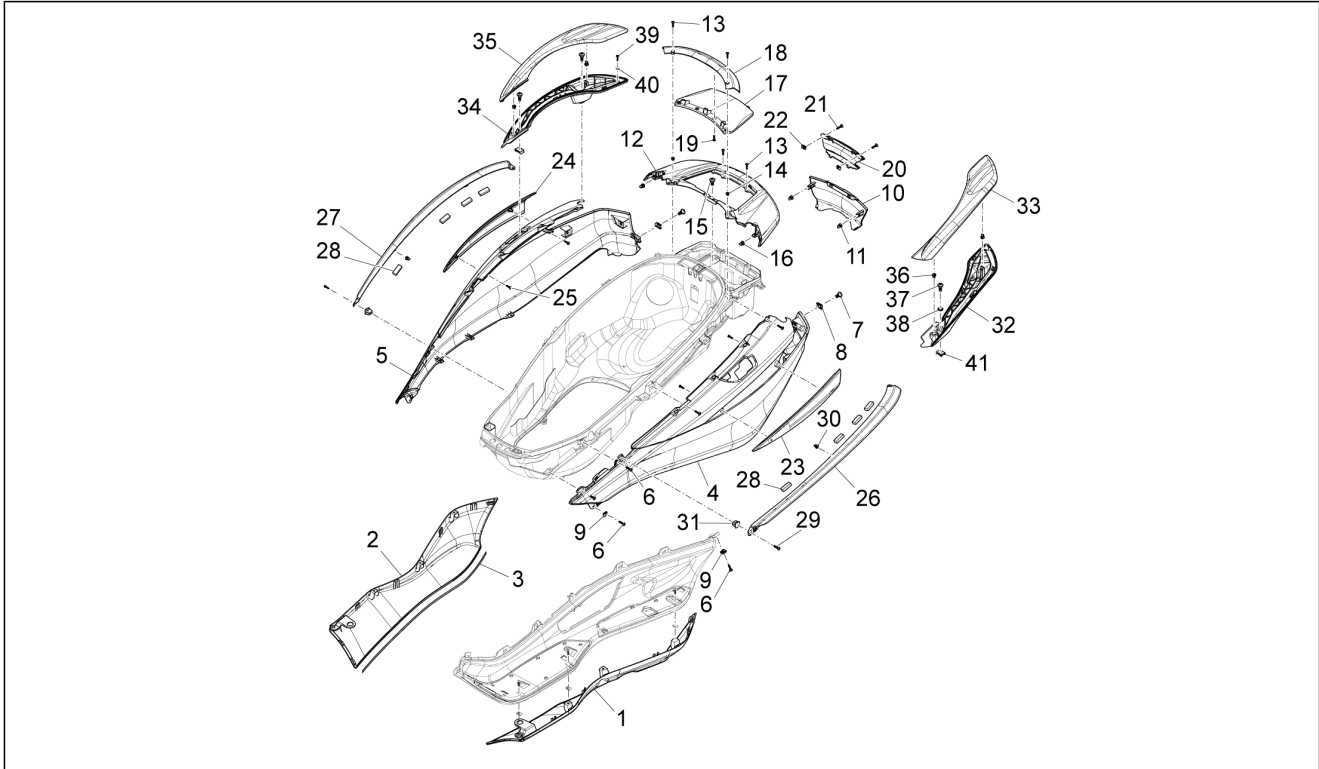
Pos.	Code	Description	Qty	Variants
				Vehicle colour:Grey[713/B] Vehicle colour:Brown[120/A]
24	1B000143	RH lateral side fairing protection	1	
24	673462	Right rear side protection	1	Vehicle colour:Brown[120/A] Vehicle colour:Grey[713/B] Vehicle colour:BLACK[98/A] Vehicle colour:White[566] Vehicle colour:Blue[222/A]
25	297498	Self tapping screw M3,5x13	4	
26	673465	Left lateral frame	1	
27	673464	Right lateral frame	1	
28	675517	Pad	8	
29	CM178603	Self tapping screw D4.2x13	4	
30	D9004468091	Gripper clip	6	
31	157716	Expansion plug	2	
32	1B000136	Left lower rear handle	1	
32	1B000136000BU	Left lower rear handle	1	Vehicle colour:Polished pastel white[595] ABS - NO ABS:ABS Version[ABS] Vehicle colour:Polished pastel white[595] ABS - NO ABS:No ABS[No ABS]
32	1B000136000H2	Left lower rear handle	1	Vehicle colour:Ice Grey[755/B] ABS - NO ABS:ABS Version[ABS] Vehicle colour:Ice Grey[755/B] ABS - NO ABS:No ABS[No ABS]
32	1B000136000HC	Left lower rear handle	1	Vehicle colour:Matt grey[773/B] ABS - NO ABS:ABS Version[ABS] Vehicle colour:Matt grey[773/B] ABS - NO ABS:No ABS[No ABS]
32	1B000136000NO	Left lower rear handle	1	Vehicle colour:Matt Black[93/B] ABS - NO ABS:ABS Version[ABS] Vehicle colour:Matt Black[93/B] ABS - NO ABS:No ABS[No ABS]

Group	Frame - Plastic parts - Coachwork
Code	02.32
Description	Side cover - Spoiler
Service	1



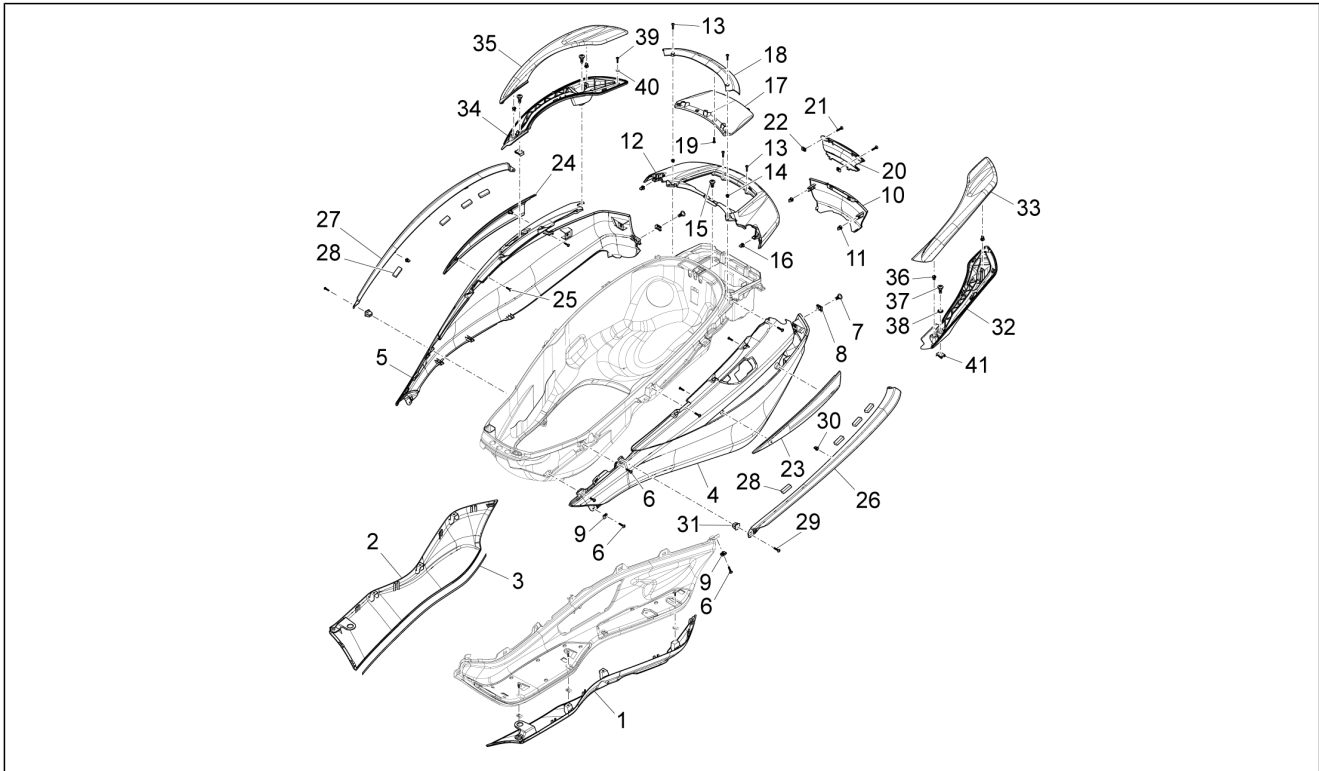
Pos.	Code	Description	Qty	Variants
32	674214	Left lower rear handle	1	
32	67421400BT	Left lower rear handle	1	Vehicle colour:White[566] ABS - NO ABS:ABS Version[ABS]
32	67421400DE	Left lower rear handle	1	Vehicle colour:Blue[222/A] Vehicle colour:Blue[222/A] ABS - NO ABS:ABS Version[ABS]
32	67421400EV	Left lower rear handle	1	Vehicle colour:Grey[713/B] Vehicle colour:Grey[713/B] ABS - NO ABS:ABS Version[ABS]
32	67421400M8	Left lower rear handle	1	Vehicle colour:Brown[120/A] Vehicle colour:Brown[120/A] ABS - NO ABS:ABS Version[ABS]
32	67421400XN2	Left lower rear handle	1	Vehicle colour:BLACK[98/A] Vehicle colour:BLACK[98/A] ABS - NO ABS:ABS Version[ABS]
33	674213	Left upper rear handle	1	
33	67421300BT	Left upper rear handle	1	Vehicle colour:White[566] ABS - NO ABS:ABS Version[ABS]
33	67421300DE	Left upper rear handle	1	Vehicle colour:Blue[222/A] Vehicle colour:Blue[222/A] ABS - NO ABS:ABS Version[ABS]
33	67421300EV	Left upper rear handle	1	Vehicle colour:Grey[713/B] Vehicle colour:Grey[713/B] ABS - NO ABS:ABS Version[ABS]
33	67421300M8	Left upper rear handle	1	Vehicle colour:Brown[120/A] Vehicle colour:Brown[120/A] ABS - NO ABS:ABS Version[ABS]
33	67421300NM	Left upper rear handle	1	Vehicle colour:Matt Black[93/B] ABS - NO ABS:ABS Version[ABS] Vehicle colour:Polished pastel white[595] ABS - NO ABS:ABS Version[ABS] Vehicle colour:Matt grey[773/B] ABS - NO ABS:ABS Version[ABS] Vehicle colour:Ice Grey[755/B]

Group	Frame - Plastic parts - Coachwork
Code	02.32
Description	Side cover - Spoiler
Service	1



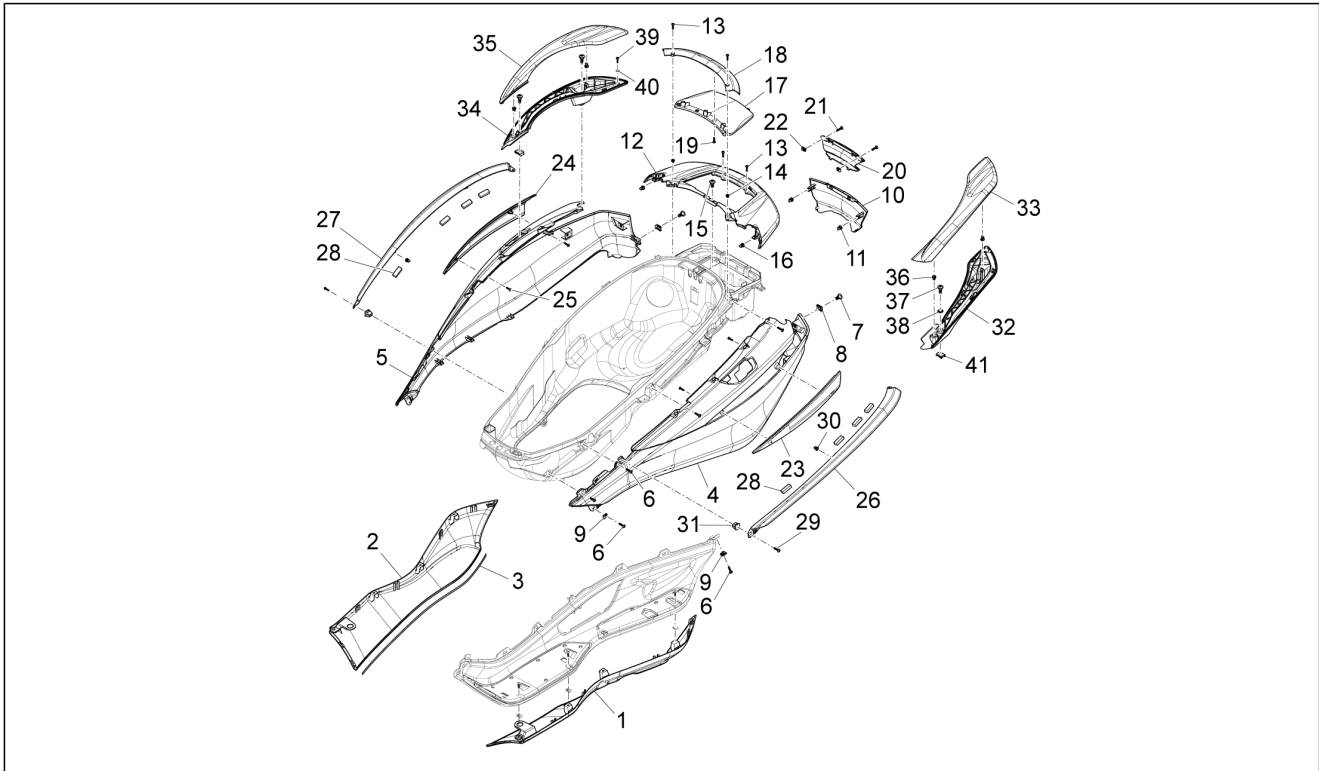
Pos.	Code	Description	Qty	Variants
				ABS - NO ABS: ABS Version[ABS] Vehicle colour: Polished pastel white[595] ABS - NO ABS: No ABS[No ABS] Vehicle colour: Matt Black[93/B] ABS - NO ABS: No ABS[No ABS] Vehicle colour: Ice Grey[755/B] ABS - NO ABS: No ABS[No ABS] Vehicle colour: Matt grey[773/B] ABS - NO ABS: No ABS[No ABS]
33	67421300XN2	Left upper rear handle	1	Vehicle colour: BLACK[98/A] Vehicle colour: BLACK[98/A] ABS - NO ABS: ABS Version[ABS]
34	1B000139	Right lower rear handle	1	
34	1B000139000BU	Right lower rear handle	1	Vehicle colour: Polished pastel white[595] ABS - NO ABS: ABS Version[ABS] Vehicle colour: Polished pastel white[595] ABS - NO ABS: No ABS[No ABS]
34	1B000139000H2	Right lower rear handle	1	Vehicle colour: Ice Grey[755/B] ABS - NO ABS: ABS Version[ABS] Vehicle colour: Ice Grey[755/B] ABS - NO ABS: No ABS[No ABS]
34	1B000139000HC	Right lower rear handle	1	Vehicle colour: Matt grey[773/B] ABS - NO ABS: ABS Version[ABS] Vehicle colour: Matt grey[773/B] ABS - NO ABS: No ABS[No ABS]
34	1B000139000NO	Right lower rear handle	1	Vehicle colour: Matt Black[93/B] ABS - NO ABS: ABS Version[ABS] Vehicle colour: Matt Black[93/B] ABS - NO ABS: No ABS[No ABS]
34	674216	Right lower rear handle	1	
34	67421600BT	Right lower rear handle	1	Vehicle colour: White[566] ABS - NO ABS: ABS Version[ABS]
34	67421600DE	Right lower rear handle	1	Vehicle colour: Blue[222/A] Vehicle colour: Blue[222/A] ABS - NO ABS: ABS Version[ABS]

Group	Frame - Plastic parts - Coachwork
Code	02.32
Description	Side cover - Spoiler
Service	1



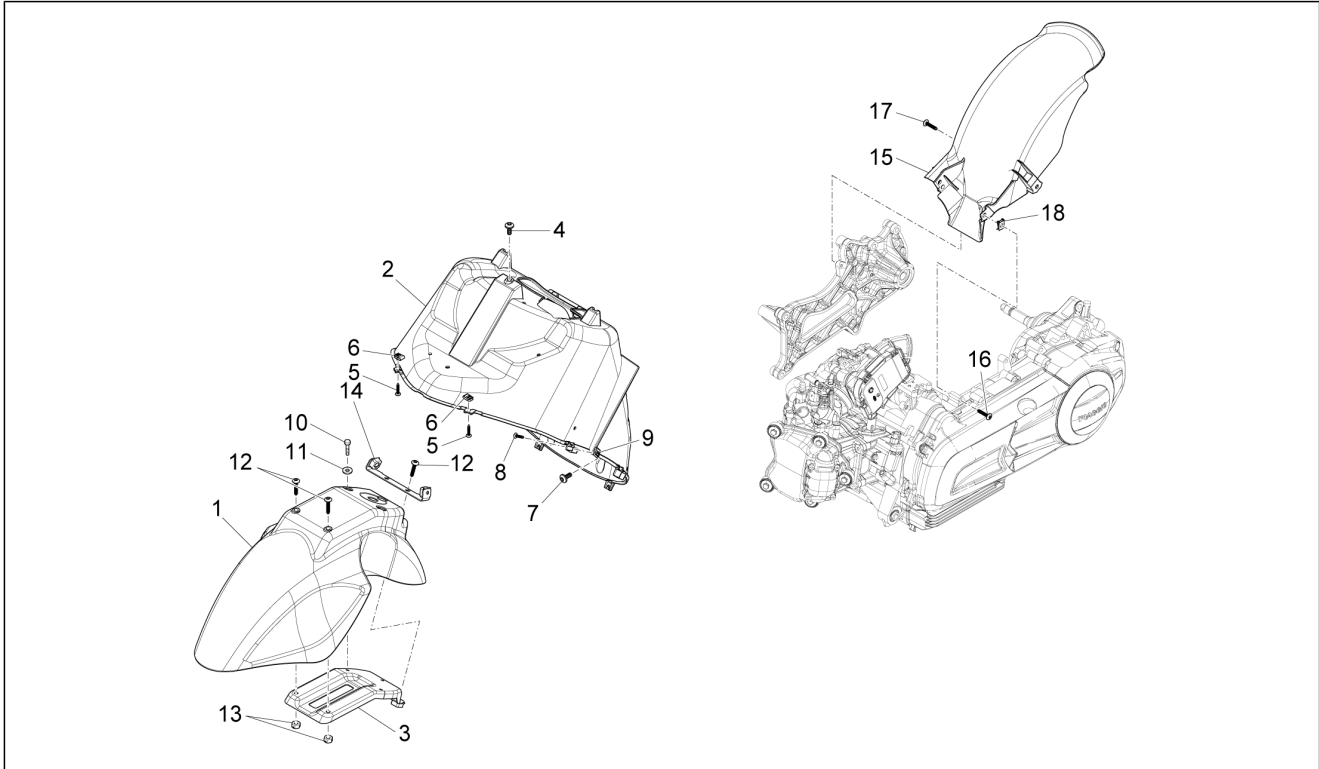
Pos.	Code	Description	Qty	Variants
34	67421600EV	Right lower rear handle	1	Vehicle colour:Grey[713/B] Vehicle colour:Grey[713/B] ABS - NO ABS:ABS Version[ABS]
34	67421600M8	Right lower rear handle	1	Vehicle colour:Brown[120/A] Vehicle colour:Brown[120/A] ABS - NO ABS:ABS Version[ABS]
34	67421600XN2	Right lower rear handle	1	Vehicle colour:BLACK[98/A] Vehicle colour:BLACK[98/A] ABS - NO ABS:ABS Version[ABS]
35	674215	Right upper rear handle	1	
35	67421500BT	Right upper rear handle	1	Vehicle colour:White[566] ABS - NO ABS:ABS Version[ABS]
35	67421500DE	Right upper rear handle	1	Vehicle colour:Blue[222/A] Vehicle colour:Blue[222/A] ABS - NO ABS:ABS Version[ABS]
35	67421500EV	Right upper rear handle	1	Vehicle colour:Grey[713/B] Vehicle colour:Grey[713/B] ABS - NO ABS:ABS Version[ABS]
35	67421500M8	Right upper rear handle	1	Vehicle colour:Brown[120/A] Vehicle colour:Brown[120/A] ABS - NO ABS:ABS Version[ABS]
35	67421500NM	Right upper rear handle	1	Vehicle colour:Matt Black[93/B] ABS - NO ABS:ABS Version[ABS] Vehicle colour:Polished pastel white[595] ABS - NO ABS:ABS Version[ABS] Vehicle colour:Matt grey[773/B] ABS - NO ABS:ABS Version[ABS] Vehicle colour:Ice Grey[755/B] ABS - NO ABS:ABS Version[ABS] Vehicle colour:Polished pastel white[595] ABS - NO ABS:No ABS[No ABS] Vehicle colour:Matt Black[93/B] ABS - NO ABS:No ABS[No ABS] Vehicle colour:Ice Grey[755/B] ABS - NO ABS:No ABS[No ABS]

Group	Frame - Plastic parts - Coachwork
Code	02.32
Description	Side cover - Spoiler
Service	1



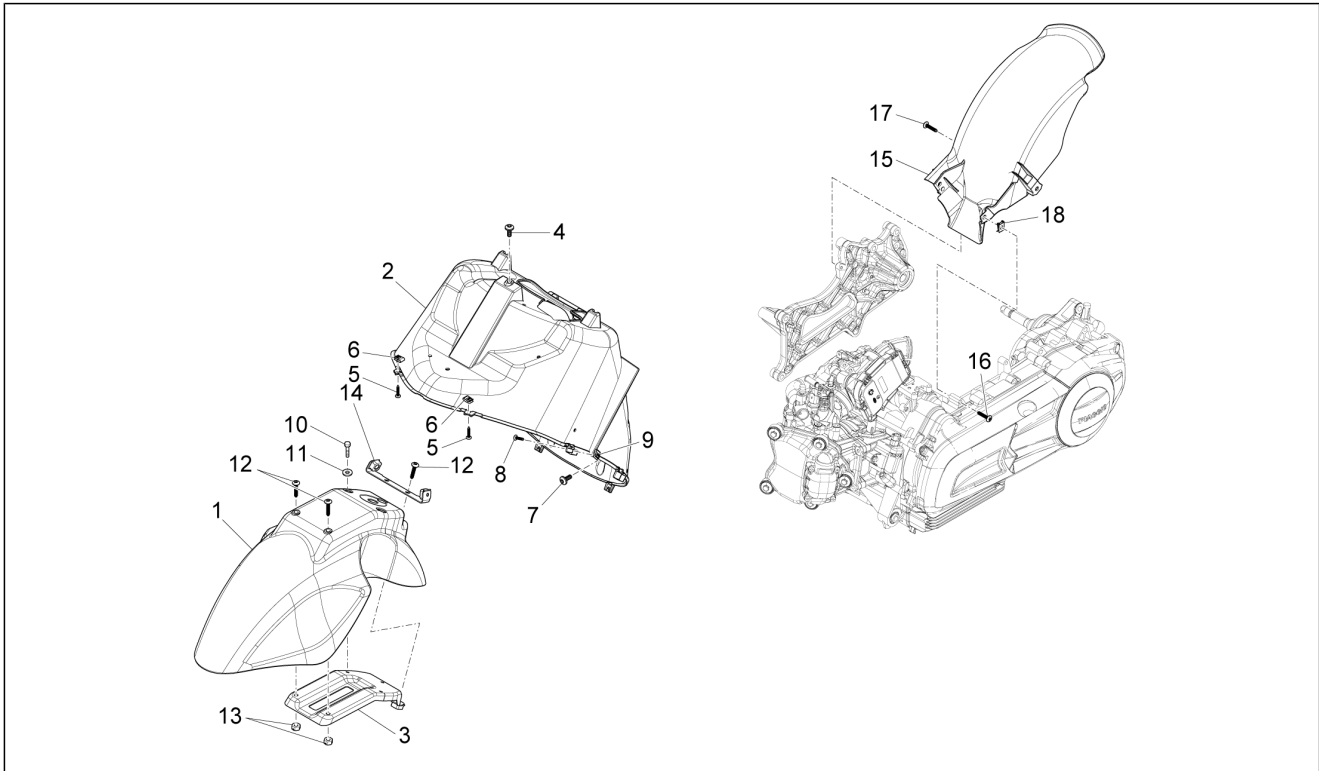
Pos.	Code	Description	Qty	Variants
				Vehicle colour:Matt grey[773/B] ABS - NO ABS:No ABS[No ABS]
35	67421500XN2	Right upper rear handle	1	Vehicle colour:BLACK[98/A] Vehicle colour:BLACK[98/A] ABS - NO ABS:ABS Version[ABS]
36	D9004468091	Gripper clip	4	
37	656894	Torx Screw	4	
38	012540	Notched washer 14x8,3x1,8	4	
39	296141	Self tapping screw	4	
40	003058	Plain washer 15x8,4x1,5	4	
41	575268	Spring plate M8	4	

Group	Frame - Plastic parts - Coachwork
Code	02.33
Description	Wheel huosing - Mudguard
Service	1



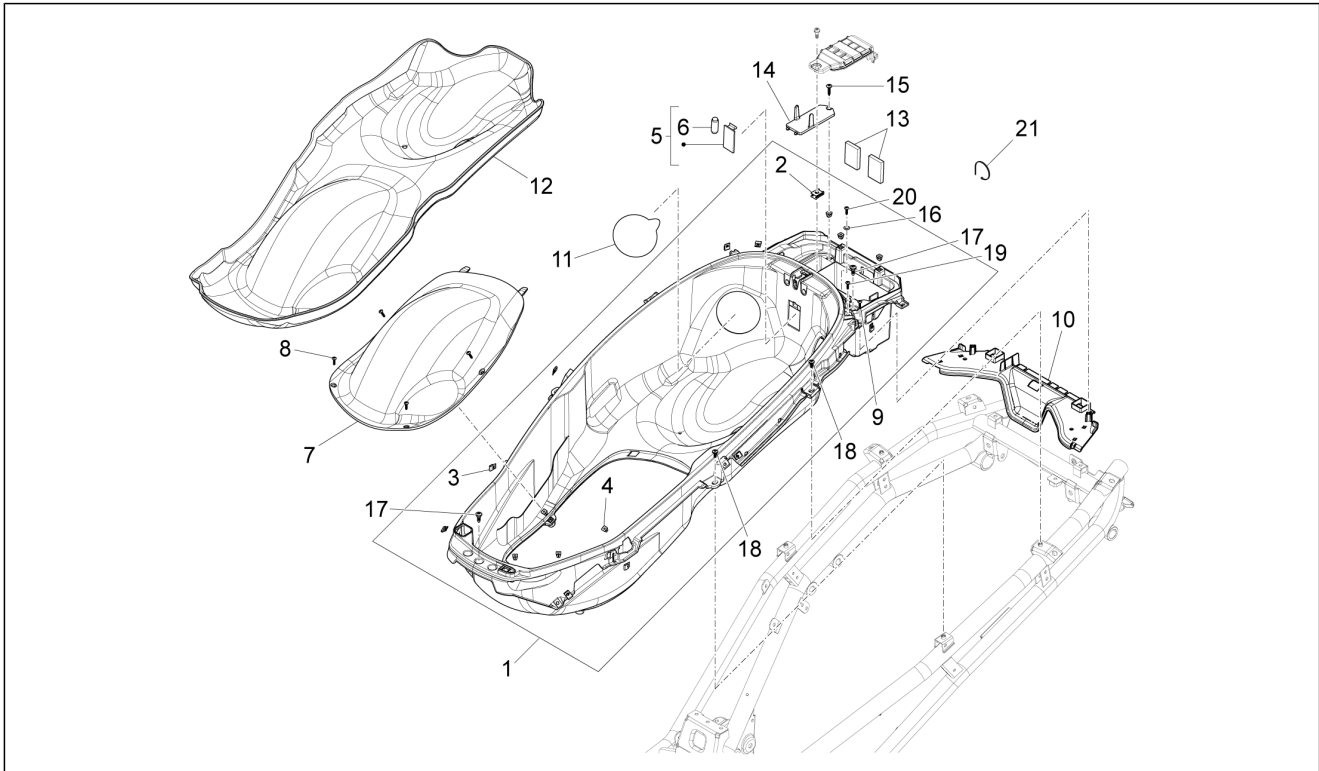
Pos.	Code	Description	Qty	Variants
1	673444	Front mudguard	1	
1	67344400BT	Front mudguard	1	Vehicle colour:White[566] ABS - NO ABS:ABS Version[ABS]
1	67344400BU	Front mudguard	1	Vehicle colour:Polished pastel white[595] ABS - NO ABS:ABS Version[ABS] Vehicle colour:Polished pastel white[595] ABS - NO ABS:No ABS[No ABS]
1	67344400DE	Front mudguard	1	Vehicle colour:Blue[222/A] Vehicle colour:Brown[120/A] ABS - NO ABS:ABS Version[ABS]
1	67344400EV	Front mudguard	1	Vehicle colour:Grey[713/B] Vehicle colour:Grey[713/B] ABS - NO ABS:ABS Version[ABS]
1	67344400H2	Front mudguard	1	Vehicle colour:Ice Grey[755/B] ABS - NO ABS:ABS Version[ABS] Vehicle colour:Ice Grey[755/B] ABS - NO ABS:No ABS[No ABS]
1	67344400HC	Front mudguard	1	Vehicle colour:Matt grey[773/B] ABS - NO ABS:ABS Version[ABS] Vehicle colour:Matt grey[773/B] ABS - NO ABS:No ABS[No ABS]
1	67344400M8	Front mudguard	1	Vehicle colour:Brown[120/A] Vehicle colour:Brown[120/A] ABS - NO ABS:ABS Version[ABS]
1	67344400NO	Front mudguard	1	Vehicle colour:Matt Black[93/B] ABS - NO ABS:ABS Version[ABS] Vehicle colour:Matt Black[93/B] ABS - NO ABS:No ABS[No ABS]
1	67344400XN2	Front mudguard	1	Vehicle colour:BLACK[98/A] Vehicle colour:BLACK[98/A] ABS - NO ABS:ABS Version[ABS]
2	673423	Wheel compartment	1	
3	674871	Mudguard fixing bracket	1	

Group	Frame - Plastic parts - Coachwork
Code	02.33
Description	Wheel huosing - Mudguard
Service	1



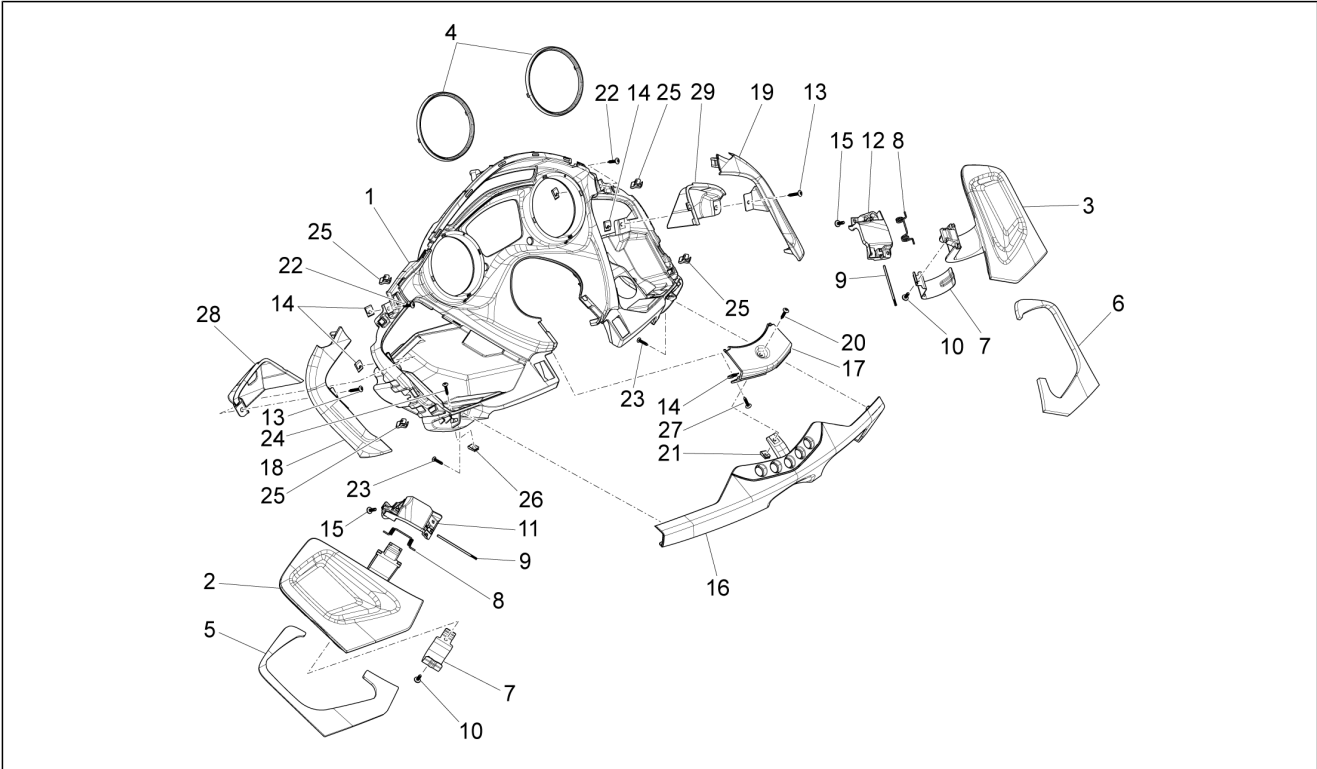
Pos.	Code	Description	Qty	Variants
4	CM179301	Screw M6x16	1	
5	CM178604	Self tapping screw	6	
6	CM017410	Spring plate	6	
7	CM179301	Screw M6x16	2	
8	CM178601	Self tapping screw D4.2x16	6	
9	CM017410	Spring plate	6	
10	031086	Screw m6x12	3	
11	006966	Spring washer 6,4x11x0,5	3	
12	CM179202	screw	4	
13	195482	Self locking nut M6	2	
14	668220	Piping coupling bracket	1	
15	674218	Rear mudguard	1	
16	CM179303	Metric screw M6x30	1	
17	CM179201	Metric screw M6x22	1	
18	254485	Spring plate M6	1	

Group	Frame - Plastic parts - Coachwork
Code	02.34
Description	Helmet huosing - Undersaddle
Service	1



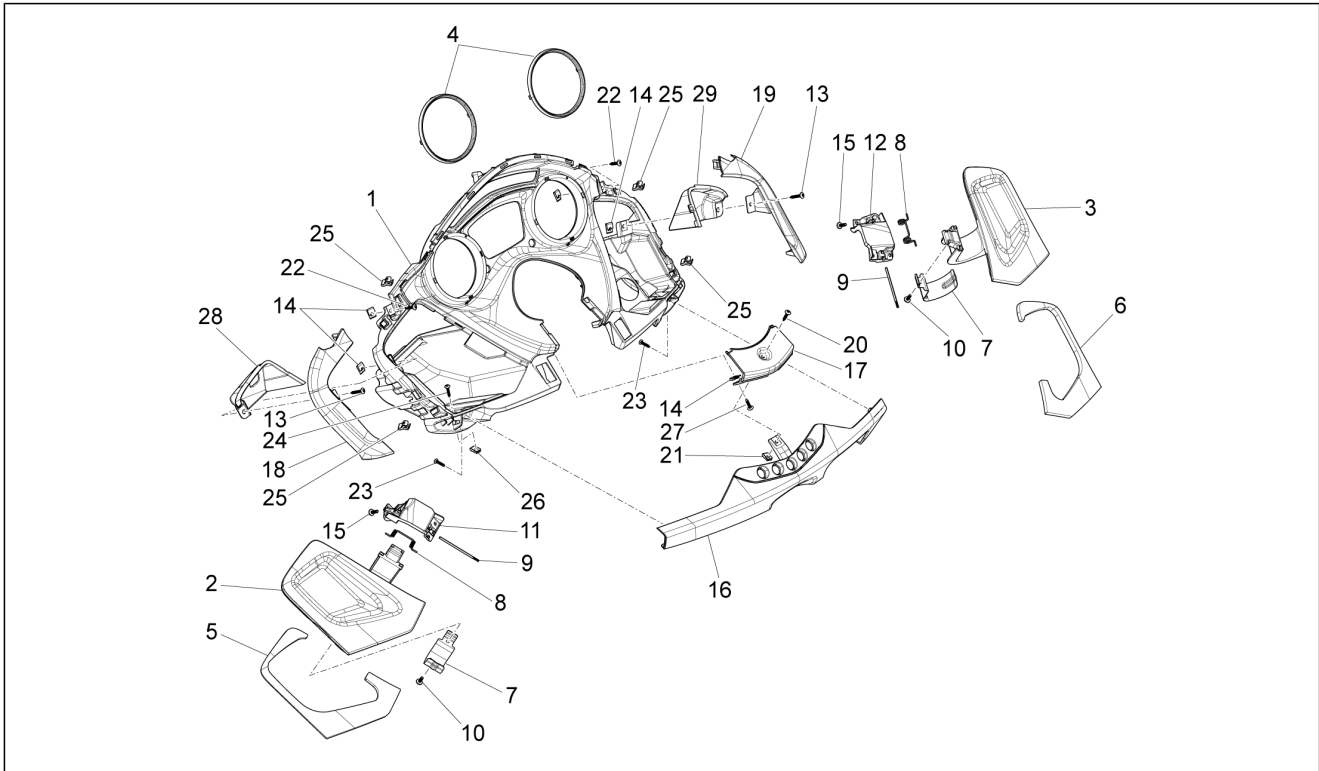
Pos.	Code	Description	Qty	Variants
1	673362	Complete helmet compartment	1	
2	254485	Spring plate M6	1	
3	CM017410	Spring plate	10	
4	157716	Expansion plug	7	
5	293154	Ceiling bowl	1	
6	071633	Torpedo shaped lamp 12V-5W	1	
7	673364	Engine access cover	1	
8	CM178603	Self tapping screw D4.2x13	4	
9	CM178603	Self tapping screw D4.2x13	2	
10	674241	Tyre	1	
11	674233	Cover	2	
12	675023	Helmet compartment mat	1	
13	258737	Pad	2	
14	673361	Top cover	1	
15	CM178603	Self tapping screw D4.2x13	1	
16	297029	Washer	2	
17	CM179201	Metric screw M6x22	3	
18	CM179301	Screw M6x16	4	
19	CM180701	Self tapping screw D4x16	2	
20	CM179302	Metric screw M6x22	2	
21	657229	Hose clamp	1	
21	CM013201	Spring	1	

Group	Frame - Plastic parts - Coachwork
Code	02.36
Description	Front covers - Mudflaps
Service	1



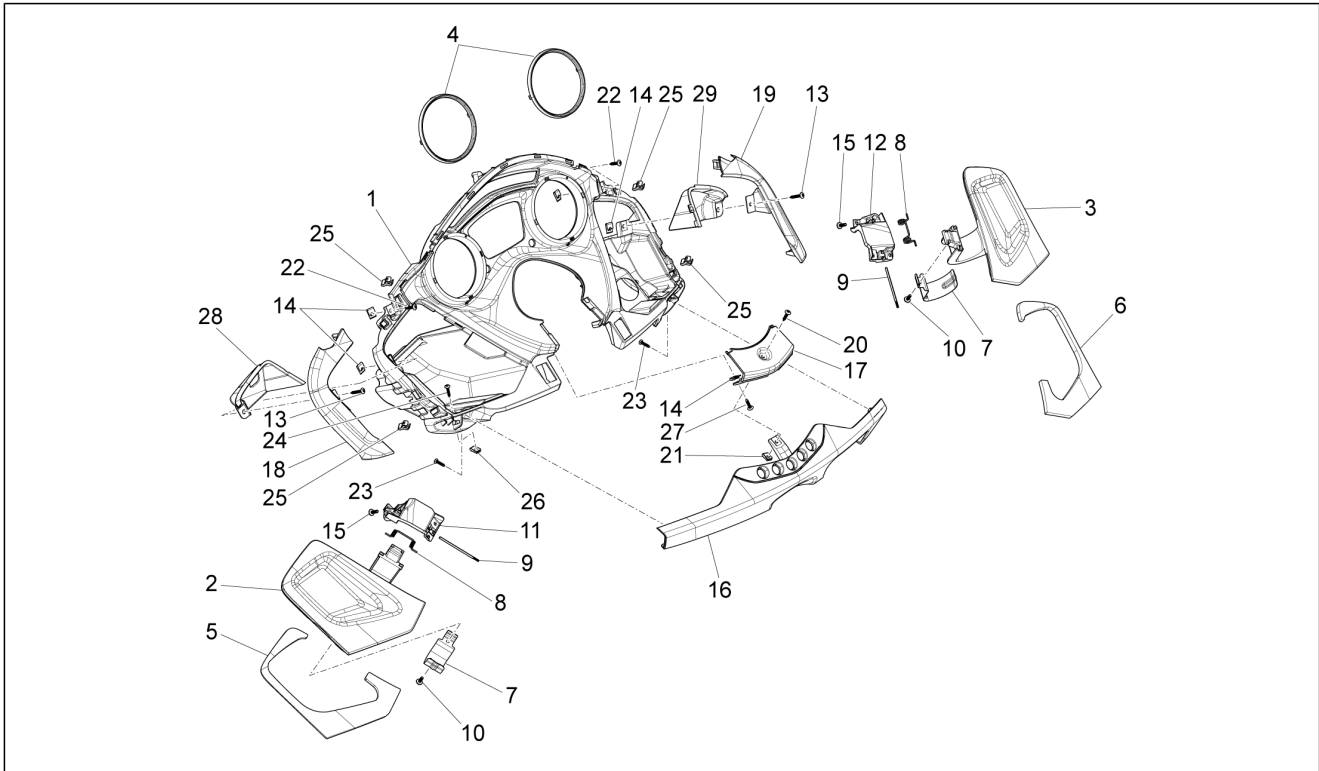
Pos.	Code	Description	Qty	Variants
1	67343000H7	Rear dashboard	1	Vehicle colour:Ice Grey[755/B] ABS - NO ABS:ABS Version[ABS] Vehicle colour:Matt grey[773/B] ABS - NO ABS:ABS Version[ABS] Vehicle colour:Polished pastel white[595] ABS - NO ABS:No ABS[No ABS] Vehicle colour:Matt Black[93/B] ABS - NO ABS:ABS Version[ABS] Vehicle colour:Blue[222/A] ABS - NO ABS:ABS Version[ABS] Vehicle colour:Polished pastel white[595] ABS - NO ABS:ABS Version[ABS] Vehicle colour:Grey[713/B] Vehicle colour:BLACK[98/A] Vehicle colour:Ice Grey[755/B] ABS - NO ABS:No ABS[No ABS] Vehicle colour:Matt Black[93/B] ABS - NO ABS:No ABS[No ABS] Vehicle colour:Matt grey[773/B] ABS - NO ABS:No ABS[No ABS] Vehicle colour:Brown[120/A] Vehicle colour:Grey[713/B] ABS - NO ABS:ABS Version[ABS] Vehicle colour:White[566] Vehicle colour:Blue[222/A] Vehicle colour:BLACK[98/A] ABS - NO ABS:ABS Version[ABS] Vehicle colour:Brown[120/A] ABS - NO ABS:ABS Version[ABS] Vehicle colour:White[566] ABS - NO ABS:ABS Version[ABS]
2	673437000C	Left dashboard door	1	Vehicle colour:Ice Grey[755/B] ABS - NO ABS:ABS Version[ABS] Vehicle colour:Matt grey[773/B] ABS - NO ABS:ABS Version[ABS] Vehicle colour:Polished pastel white[595] ABS - NO ABS:No ABS[No ABS]

Group	Frame - Plastic parts - Coachwork
Code	02.36
Description	Front covers - Mudflaps
Service	1



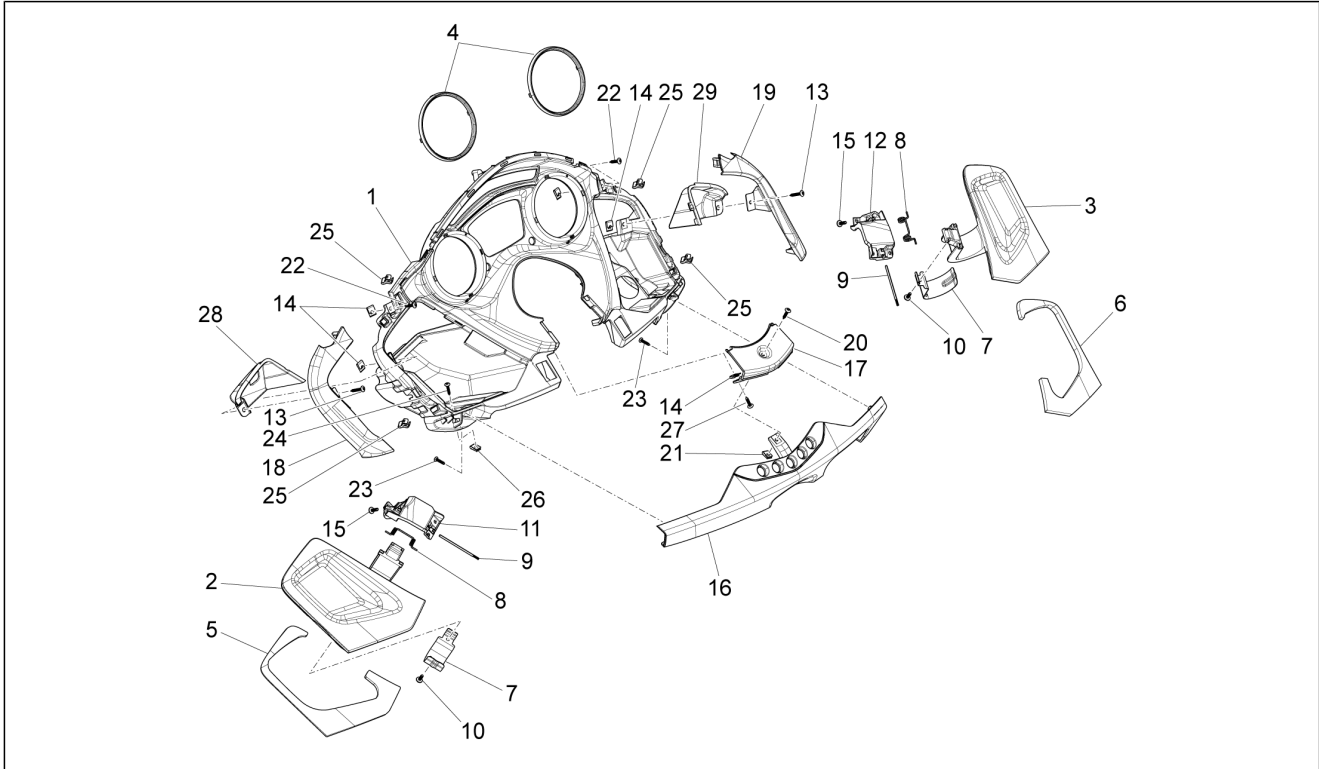
Pos.	Code	Description	Qty	Variants
				Vehicle colour:Matt Black[93/B] ABS - NO ABS:ABS Version[ABS] Vehicle colour:Blue[222/A] ABS - NO ABS:ABS Version[ABS] Vehicle colour:Polished pastel white[595] ABS - NO ABS:ABS Version[ABS] Vehicle colour:Grey[713/B] Vehicle colour:Ice Grey[755/B] ABS - NO ABS:No ABS[No ABS] Vehicle colour:Matt Black[93/B] ABS - NO ABS:No ABS[No ABS] Vehicle colour:Matt grey[773/B] ABS - NO ABS:No ABS[No ABS] Vehicle colour:Brown[120/A] Vehicle colour:Grey[713/B] ABS - NO ABS:ABS Version[ABS] Vehicle colour:Blue[222/A] Vehicle colour:Brown[120/A] ABS - NO ABS:ABS Version[ABS]
2	67343700MA	Left dashboard door	1	Vehicle colour:BLACK[98/A] Vehicle colour:White[566] Vehicle colour:BLACK[98/A] ABS - NO ABS:ABS Version[ABS] Vehicle colour:White[566] ABS - NO ABS:ABS Version[ABS]
3	673438000C	Right dashboard door	1	Vehicle colour:Ice Grey[755/B] ABS - NO ABS:ABS Version[ABS] Vehicle colour:Matt grey[773/B] ABS - NO ABS:ABS Version[ABS] Vehicle colour:Polished pastel white[595] ABS - NO ABS:No ABS[No ABS] Vehicle colour:Matt Black[93/B] ABS - NO ABS:ABS Version[ABS] Vehicle colour:Blue[222/A] ABS - NO ABS:ABS Version[ABS] Vehicle colour:Polished pastel white[595] ABS - NO ABS:ABS Version[ABS]

Group	Frame - Plastic parts - Coachwork
Code	02.36
Description	Front covers - Mudflaps
Service	1



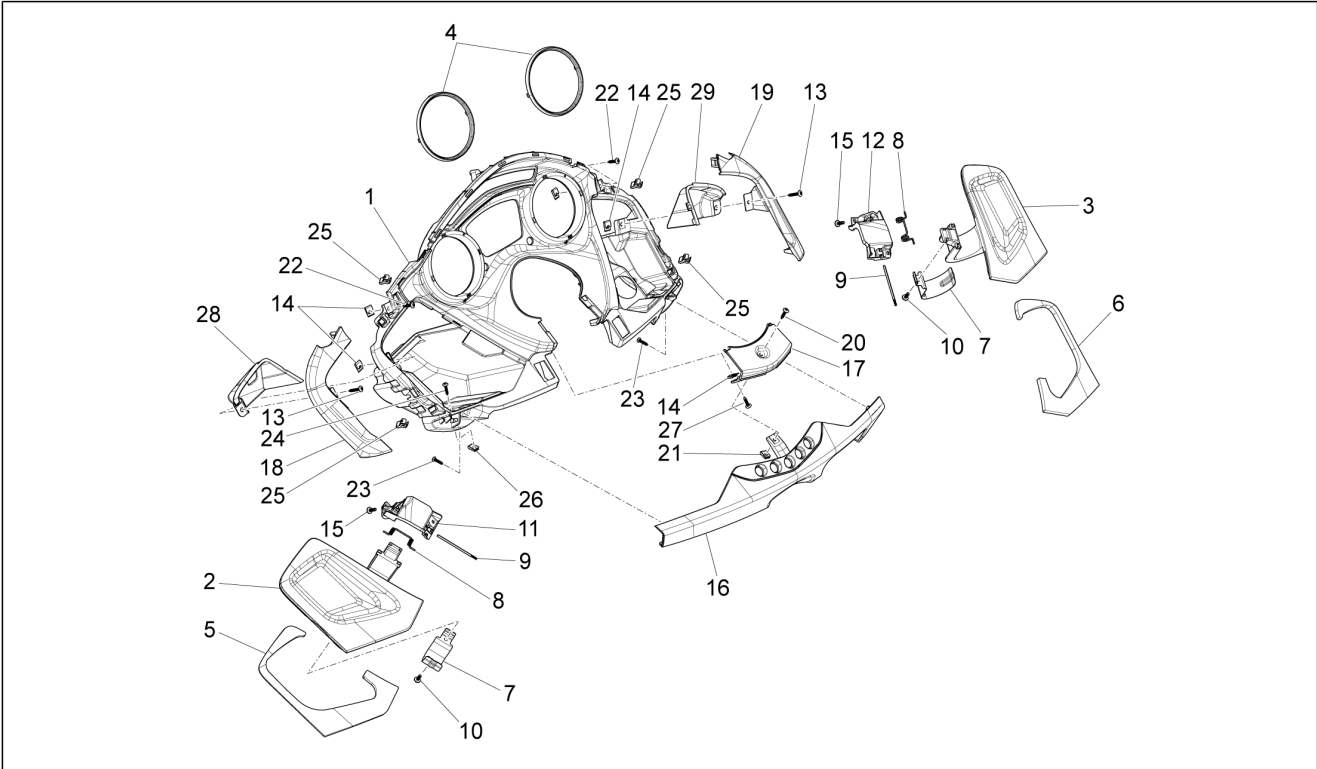
Pos.	Code	Description	Qty	Variants
				Vehicle colour:Grey[713/B] Vehicle colour:Ice Grey[755/B] ABS - NO ABS:No ABS[No ABS] Vehicle colour:Matt Black[93/B] ABS - NO ABS:No ABS[No ABS] Vehicle colour:Matt grey[773/B] ABS - NO ABS:No ABS[No ABS] Vehicle colour:Brown[120/A] Vehicle colour:Grey[713/B] ABS - NO ABS:ABS Version[ABS] Vehicle colour:Blue[222/A] Vehicle colour:Brown[120/A] ABS - NO ABS:ABS Version[ABS]
3	67343800MA	Right dashboard door	1	Vehicle colour:BLACK[98/A] Vehicle colour:White[566] Vehicle colour:BLACK[98/A] ABS - NO ABS:ABS Version[ABS] Vehicle colour:White[566] ABS - NO ABS:ABS Version[ABS]
4	674033	Instrument frame	2	
5	675405	Lh sound-proofing panel	1	
6	675406	Right soundproof	1	
7	674683	U-bolt	2	
8	975685	Spring	2	
9	675031	Door fulcrum pin	2	
10	CM178603	Self tapping screw D4.2x13	2	
11	674225	LH support	1	
12	674226	RH support	1	
13	CM178604	Self tapping screw	2	
14	CM017410	Spring plate	6	
15	CM178606	Self tapping screw 4,2x16	8	
16	1B000144	Rear dashboard cover	1	

Group	Frame - Plastic parts - Coachwork
Code	02.36
Description	Front covers - Mudflaps
Service	1



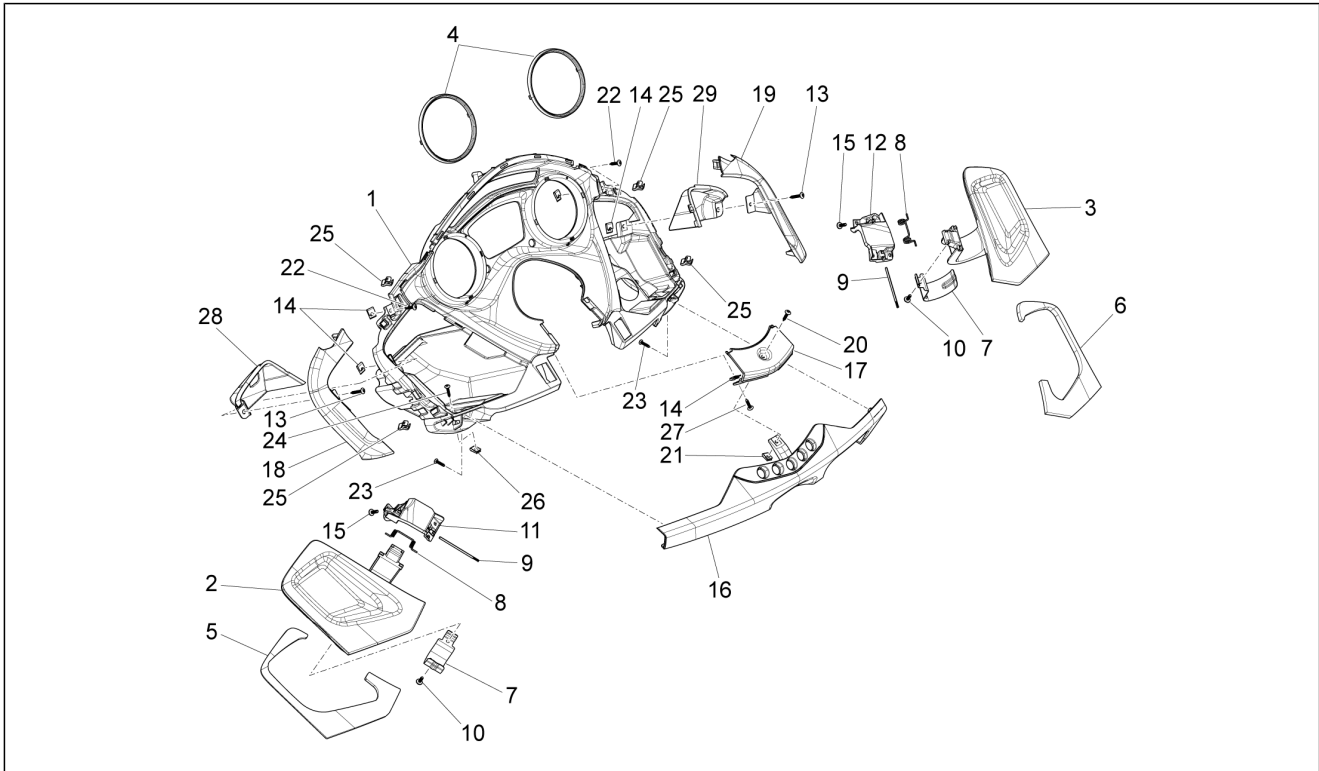
Pos.	Code	Description	Qty	Variants
16	673439	Rear dashboard cover	1	
17	67468000H7	Dashboard cover	1	Vehicle colour:Ice Grey[755/B] ABS - NO ABS:ABS Version[ABS] Vehicle colour:Matt grey[773/B] ABS - NO ABS:ABS Version[ABS] Vehicle colour:Polished pastel white[595] ABS - NO ABS:No ABS[No ABS] Vehicle colour:Matt Black[93/B] ABS - NO ABS:ABS Version[ABS] Vehicle colour:Polished pastel white[595] ABS - NO ABS:ABS Version[ABS] Vehicle colour:Grey[713/B] Vehicle colour:BLACK[98/A] Vehicle colour:Ice Grey[755/B] ABS - NO ABS:No ABS[No ABS] Vehicle colour:Matt Black[93/B] ABS - NO ABS:No ABS[No ABS] Vehicle colour:Matt grey[773/B] ABS - NO ABS:No ABS[No ABS] Vehicle colour:Brown[120/A] Vehicle colour:Grey[713/B] ABS - NO ABS:ABS Version[ABS] Vehicle colour:White[566] Vehicle colour:Blue[222/A] Vehicle colour:BLACK[98/A] ABS - NO ABS:ABS Version[ABS] Vehicle colour:Blue[222/A] ABS - NO ABS:ABS Version[ABS] Vehicle colour:Brown[120/A] ABS - NO ABS:ABS Version[ABS] Vehicle colour:White[566] ABS - NO ABS:ABS Version[ABS]
18	67343100H7	Dashboard left cover	1	Vehicle colour:Ice Grey[755/B] ABS - NO ABS:ABS Version[ABS] Vehicle colour:Polished pastel white[595] ABS - NO ABS:No ABS[No ABS] Vehicle colour:Matt Black[93/B]

Group	Frame - Plastic parts - Coachwork
Code	02.36
Description	Front covers - Mudflaps
Service	1



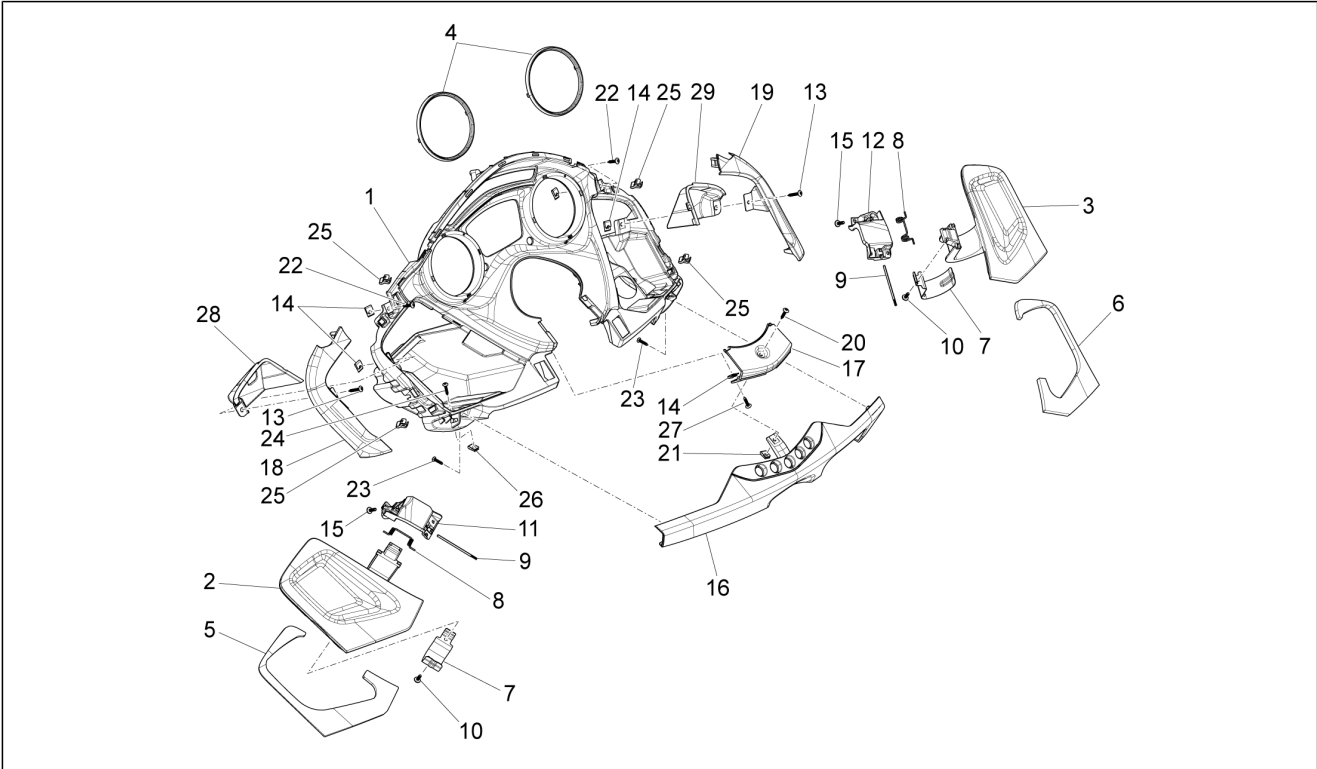
Pos.	Code	Description	Qty	Variants
				ABS - NO ABS:ABS Version[ABS] Vehicle colour:Matt grey[773/B] ABS - NO ABS:ABS Version[ABS] Vehicle colour:Polished pastel white[595] ABS - NO ABS:ABS Version[ABS] Vehicle colour:Grey[713/B] Vehicle colour:BLACK[98/A] Vehicle colour:Ice Grey[755/B] ABS - NO ABS:No ABS[No ABS] Vehicle colour:Matt Black[93/B] ABS - NO ABS:No ABS[No ABS] Vehicle colour:Matt grey[773/B] ABS - NO ABS:No ABS[No ABS] Vehicle colour:Brown[120/A] Vehicle colour:Grey[713/B] ABS - NO ABS:ABS Version[ABS] Vehicle colour:White[566] Vehicle colour:Blue[222/A] Vehicle colour:BLACK[98/A] ABS - NO ABS:ABS Version[ABS] Vehicle colour:Blue[222/A] ABS - NO ABS:ABS Version[ABS] Vehicle colour:Brown[120/A] ABS - NO ABS:ABS Version[ABS] Vehicle colour:White[566] ABS - NO ABS:ABS Version[ABS]
19	67343200H7	Right dashboard cover	1	Vehicle colour:Ice Grey[755/B] ABS - NO ABS:ABS Version[ABS] Vehicle colour:Polished pastel white[595] ABS - NO ABS:No ABS[No ABS] Vehicle colour:Matt Black[93/B] ABS - NO ABS:ABS Version[ABS] Vehicle colour:Matt grey[773/B] ABS - NO ABS:ABS Version[ABS] Vehicle colour:Polished pastel white[595] ABS - NO ABS:ABS Version[ABS] Vehicle colour:Grey[713/B]

Group	Frame - Plastic parts - Coachwork
Code	02.36
Description	Front covers - Mudflaps
Service	1



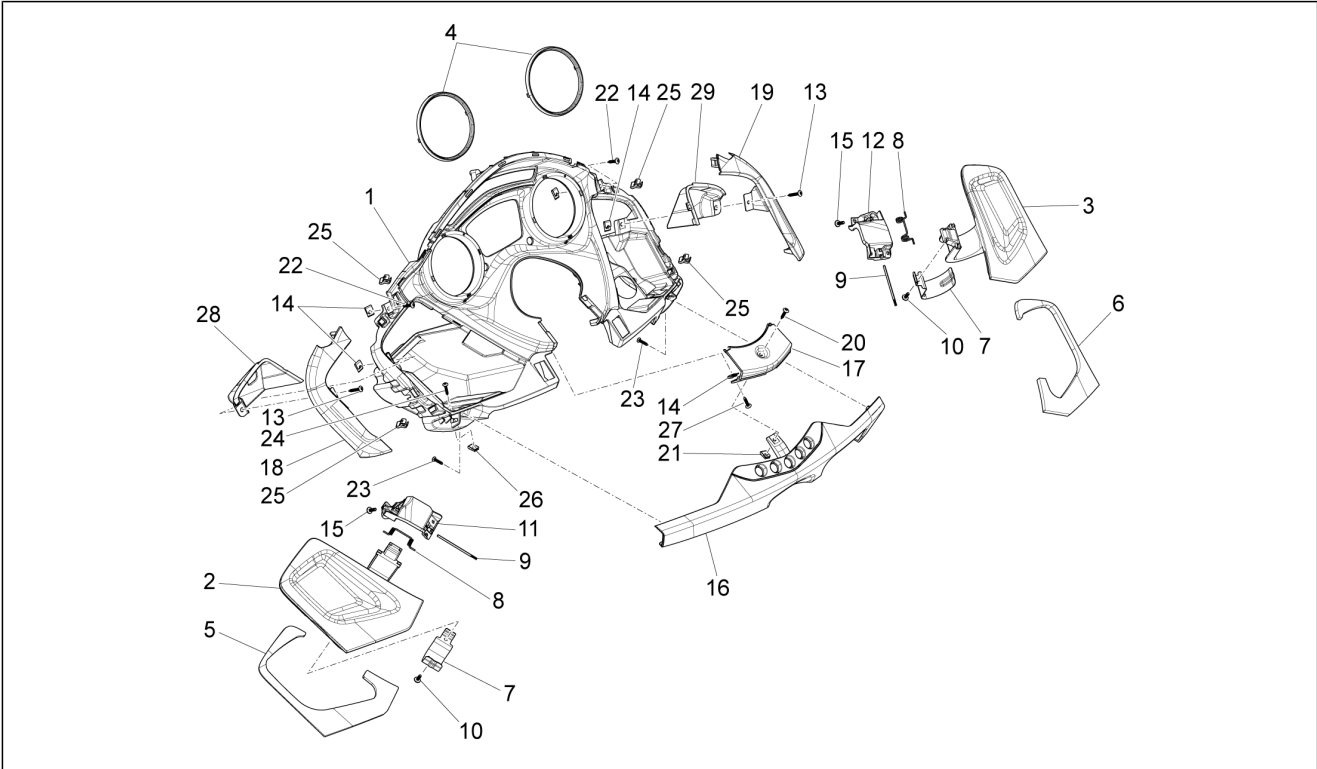
Pos.	Code	Description	Qty	Variants
				Vehicle colour:BLACK[98/A] Vehicle colour:Ice Grey[755/B] ABS - NO ABS:No ABS[No ABS] Vehicle colour:Matt Black[93/B] ABS - NO ABS:No ABS[No ABS] Vehicle colour:Matt grey[773/B] ABS - NO ABS:No ABS[No ABS] Vehicle colour:Brown[120/A] Vehicle colour:Grey[713/B] ABS - NO ABS:ABS Version[ABS] Vehicle colour:White[566] Vehicle colour:Blue[222/A] Vehicle colour:BLACK[98/A] ABS - NO ABS:ABS Version[ABS] Vehicle colour:Blue[222/A] ABS - NO ABS:ABS Version[ABS] Vehicle colour:Brown[120/A] ABS - NO ABS:ABS Version[ABS] Vehicle colour:White[566] ABS - NO ABS:ABS Version[ABS]
20	CM178603	Self tapping screw D4.2x13	1	
21	CM017410	Spring plate	1	
22	CM178603	Self tapping screw D4.2x13	2	
23	297498	Self tapping screw M3,5x13	2	
24	CM178604	Self tapping screw	2	
25	D9004468091	Gripper clip	4	
26	CM017410	Spring plate	2	
27	CM178603	Self tapping screw D4.2x13	2	
28	67422300H7	Left inspection hatch	1	Vehicle colour:Matt grey[773/B] ABS - NO ABS:ABS Version[ABS] Vehicle colour:Polished pastel white[595] ABS - NO ABS:No ABS[No ABS] Vehicle colour:Ice Grey[755/B] ABS - NO ABS:ABS Version[ABS] Vehicle colour:Matt Black[93/B]

Group	Frame - Plastic parts - Coachwork
Code	02.36
Description	Front covers - Mudflaps
Service	1



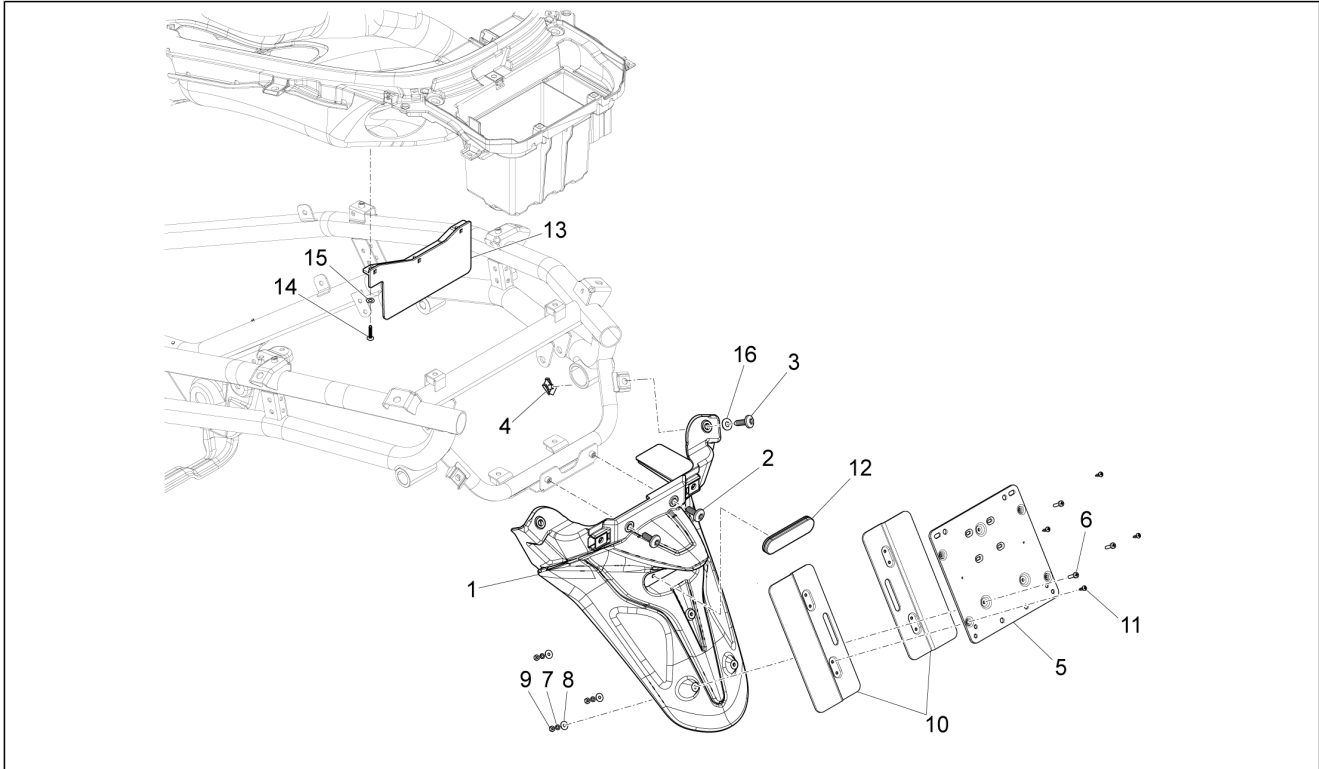
Pos.	Code	Description	Qty	Variants
				ABS - NO ABS:ABS Version[ABS] Vehicle colour:Blue[222/A] ABS - NO ABS:ABS Version[ABS] Vehicle colour:Polished pastel white[595] ABS - NO ABS:ABS Version[ABS] Vehicle colour:Grey[713/B] ABS - NO ABS:ABS Version[ABS] Vehicle colour:BLACK[98/A] ABS - NO ABS:ABS Version[ABS] Vehicle colour:Matt Black[93/B] ABS - NO ABS:No ABS[No ABS] Vehicle colour:Matt grey[773/B] ABS - NO ABS:No ABS[No ABS] Vehicle colour:Ice Grey[755/B] ABS - NO ABS:No ABS[No ABS] Vehicle colour:Brown[120/A] ABS - NO ABS:ABS Version[ABS] Vehicle colour:White[566] ABS - NO ABS:ABS Version[ABS] Vehicle colour:Blue[222/A] ABS - NO ABS:ABS Version[ABS] Vehicle colour:White[566] ABS - NO ABS:ABS Version[ABS] Vehicle colour:BLACK[98/A] ABS - NO ABS:ABS Version[ABS] Vehicle colour:Grey[713/B] ABS - NO ABS:ABS Version[ABS] Vehicle colour:Brown[120/A] ABS - NO ABS:ABS Version[ABS]
29	67422400H7	Right inspection hatch	1	Vehicle colour:Matt grey[773/B] ABS - NO ABS:ABS Version[ABS] Vehicle colour:Polished pastel white[595] ABS - NO ABS:No ABS[No ABS] Vehicle colour:Ice Grey[755/B] ABS - NO ABS:ABS Version[ABS] Vehicle colour:Matt Black[93/B] ABS - NO ABS:ABS Version[ABS] Vehicle colour:Blue[222/A] ABS - NO ABS:ABS Version[ABS] Vehicle colour:Polished pastel white[595] ABS - NO ABS:ABS Version[ABS] Vehicle colour:Grey[713/B]

Group	Frame - Plastic parts - Coachwork
Code	02.36
Description	Front covers - Mudflaps
Service	1



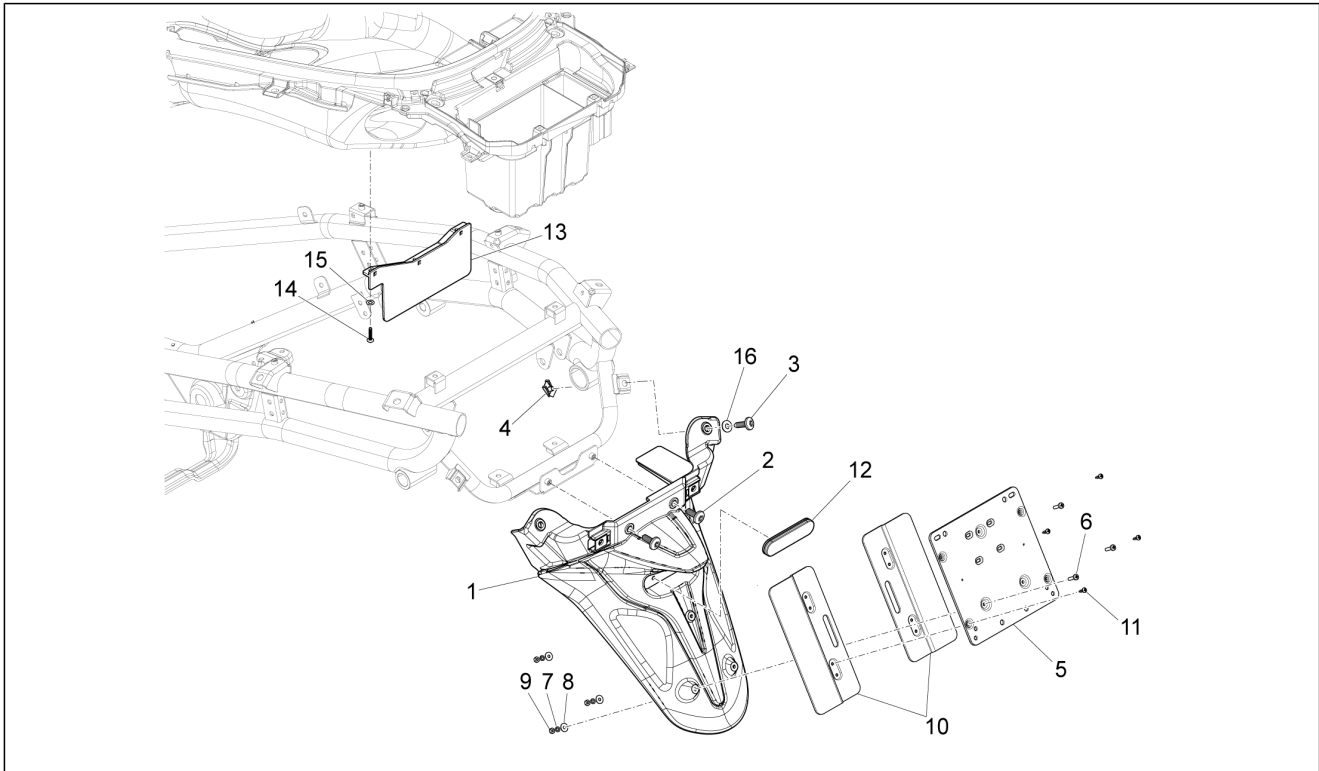
Pos.	Code	Description	Qty	Variants
				Vehicle colour:BLACK[98/A] Vehicle colour:Matt Black[93/B] ABS - NO ABS:No ABS[No ABS] Vehicle colour:Matt grey[773/B] ABS - NO ABS:No ABS[No ABS] Vehicle colour:Ice Grey[755/B] ABS - NO ABS:No ABS[No ABS] Vehicle colour:Brown[120/A] Vehicle colour:White[566] Vehicle colour:Blue[222/A] Vehicle colour:White[566] ABS - NO ABS:ABS Version[ABS] Vehicle colour:BLACK[98/A] ABS - NO ABS:ABS Version[ABS] Vehicle colour:Grey[713/B] ABS - NO ABS:ABS Version[ABS] Vehicle colour:Brown[120/A] ABS - NO ABS:ABS Version[ABS]

Group	Frame - Plastic parts - Coachwork
Code	02.37
Description	Rear cover - Splash guard
Service	1



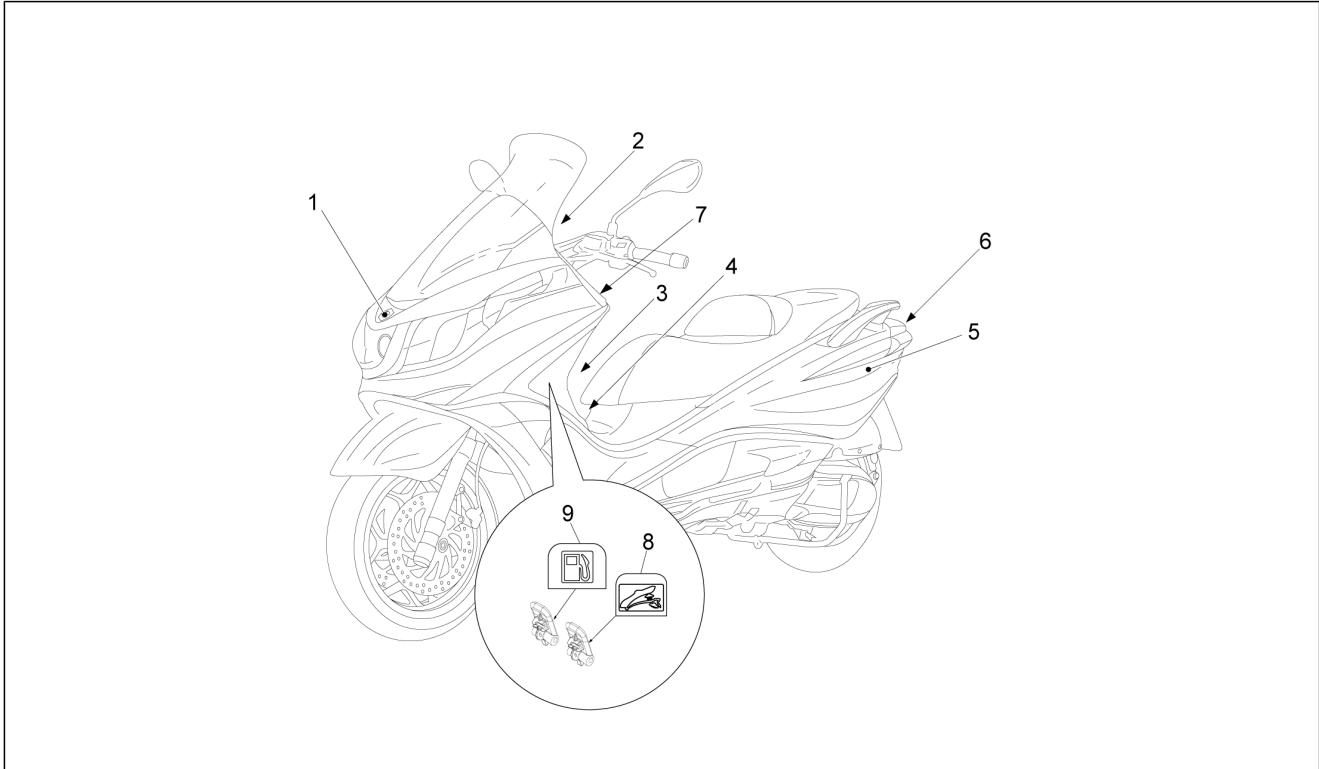
Pos.	Code	Description	Qty	Variants
1	67345900H7	Rear splash guard	1	Vehicle colour:Ice Grey[755/B] ABS - NO ABS:ABS Version[ABS] Vehicle colour:Matt grey[773/B] ABS - NO ABS:ABS Version[ABS] Vehicle colour:Polished pastel white[595] ABS - NO ABS:No ABS[No ABS] Vehicle colour:Matt Black[93/B] ABS - NO ABS:ABS Version[ABS] Vehicle colour:Blue[222/A] ABS - NO ABS:ABS Version[ABS] Vehicle colour:Polished pastel white[595] ABS - NO ABS:ABS Version[ABS] Vehicle colour:Grey[713/B] Vehicle colour:BLACK[98/A] Vehicle colour:Matt Black[93/B] ABS - NO ABS:No ABS[No ABS] Vehicle colour:Matt grey[773/B] ABS - NO ABS:No ABS[No ABS] Vehicle colour:Ice Grey[755/B] ABS - NO ABS:No ABS[No ABS] Vehicle colour:Brown[120/A] Vehicle colour:Grey[713/B] ABS - NO ABS:ABS Version[ABS] Vehicle colour:White[566] Vehicle colour:Blue[222/A] Vehicle colour:BLACK[98/A] ABS - NO ABS:ABS Version[ABS] Vehicle colour:Brown[120/A] ABS - NO ABS:ABS Version[ABS] Vehicle colour:White[566] ABS - NO ABS:ABS Version[ABS]
2	CM179301	Screw M6x16	2	
3	CM179201	Metric screw M6x22	2	
4	254485	Spring plate M6	2	
5	584884	Number plate holder	1	
6	018591	screw M4x14	3	

Group	Frame - Plastic parts - Coachwork
Code	02.37
Description	Rear cover - Splash guard
Service	1



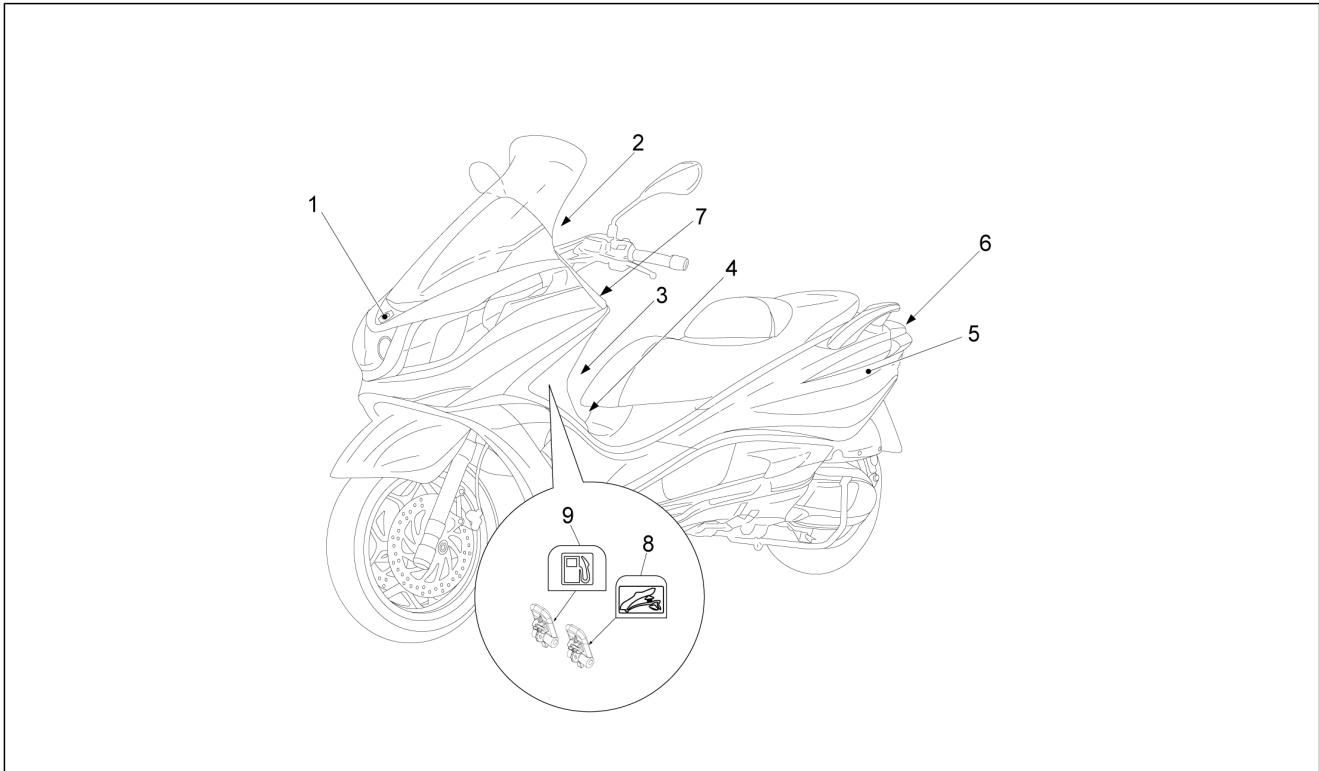
Pos.	Code	Description	Qty	Variants
7	013763	Flat washer 4,2x12x1	3	
8	016404	Flat washer 4,2x7,6x0,9	3	
9	020104	Nut M4	3	
10	584877	Number-plate extension	2	
11	268596	Self tapping screw D4x13	4	
12	58233R	Rear retroreflector	1	
13	674243	Engine splash guard	1	
14	297498	Self tapping screw M3,5x13	3	
15	013763	Flat washer 4,2x12x1	3	
16	709047	Spring washer	2	

Group	Frame - Plastic parts - Coachwork
Code	02.38
Description	Plates - Emblems
Service	1



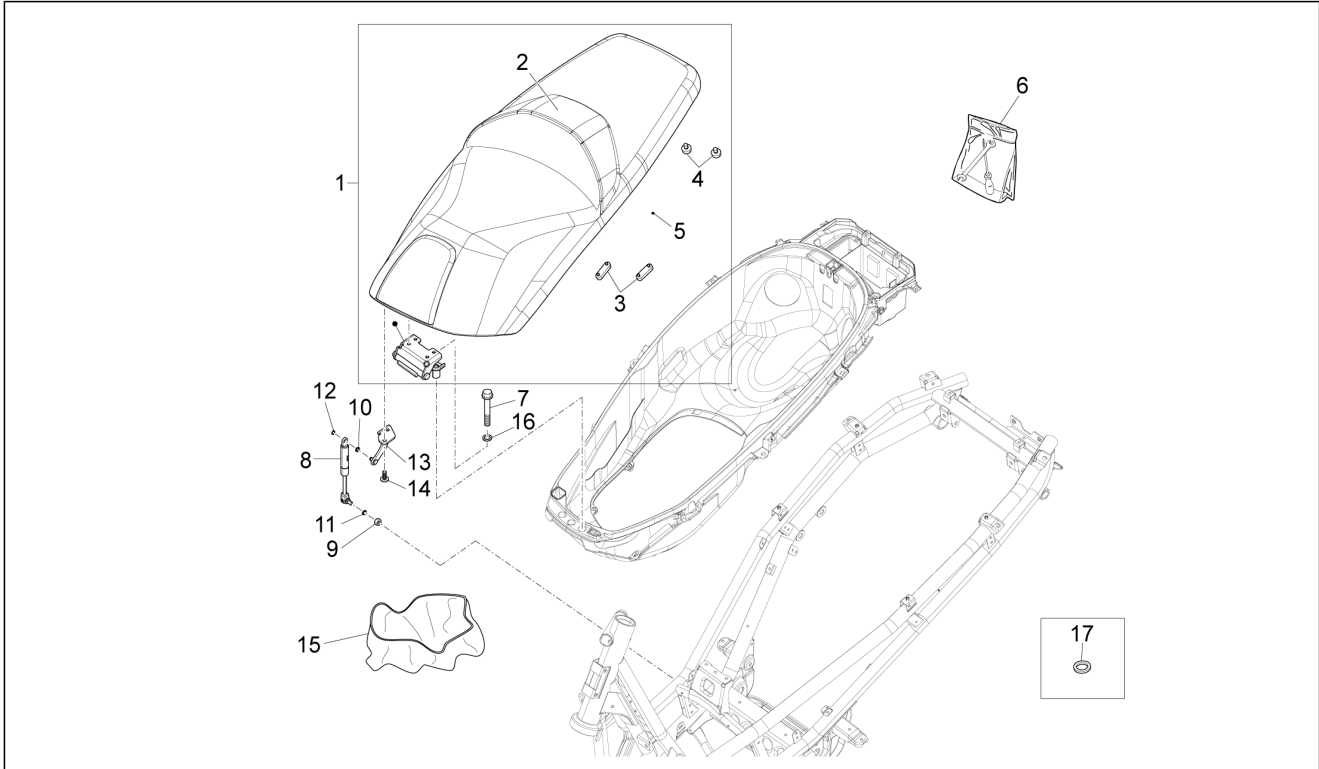
Pos.	Code	Description	Qty	Variants
1	624554	Piaggio shield	1	
2	1B000467	Piaggio shield	1	Vehicle colour: Grey[713/B] ABS - NO ABS: ABS Version[ABS] Vehicle colour: Brown[120/A] ABS - NO ABS: ABS Version[ABS] Vehicle colour: White[566] ABS - NO ABS: ABS Version[ABS] Vehicle colour: BLACK[98/A] ABS - NO ABS: ABS Version[ABS] Vehicle colour: Blue[222/A] ABS - NO ABS: ABS Version[ABS] Vehicle colour: Matt Black[93/B] ABS - NO ABS: ABS Version[ABS] Vehicle colour: Polished pastel white[595] ABS - NO ABS: ABS Version[ABS] Vehicle colour: Matt grey[773/B] ABS - NO ABS: ABS Version[ABS] Vehicle colour: Ice Grey[755/B] ABS - NO ABS: ABS Version[ABS]
2	624554	Piaggio shield	1	
3	672200	Name plate "Piaggio Technology"	1	
4	895839	""Eni"" label"	2	
5	1B000275	Name plate "X10"	2	
5	675466	Name plate "X10"	2	
6	675469	"Piaggio" Plate	1	
7	675467	ABS-ASR label	1	Vehicle colour: Grey[713/B] ABS - NO ABS: ABS Version[ABS] Vehicle colour: Brown[120/A] ABS - NO ABS: ABS Version[ABS] Vehicle colour: White[566] ABS - NO ABS: ABS Version[ABS] Vehicle colour: BLACK[98/A] ABS - NO ABS: ABS Version[ABS] Vehicle colour: Blue[222/A] ABS - NO ABS: ABS Version[ABS]

Group	Frame - Plastic parts - Coachwork
Code	02.38
Description	Plates - Emblems
Service	1



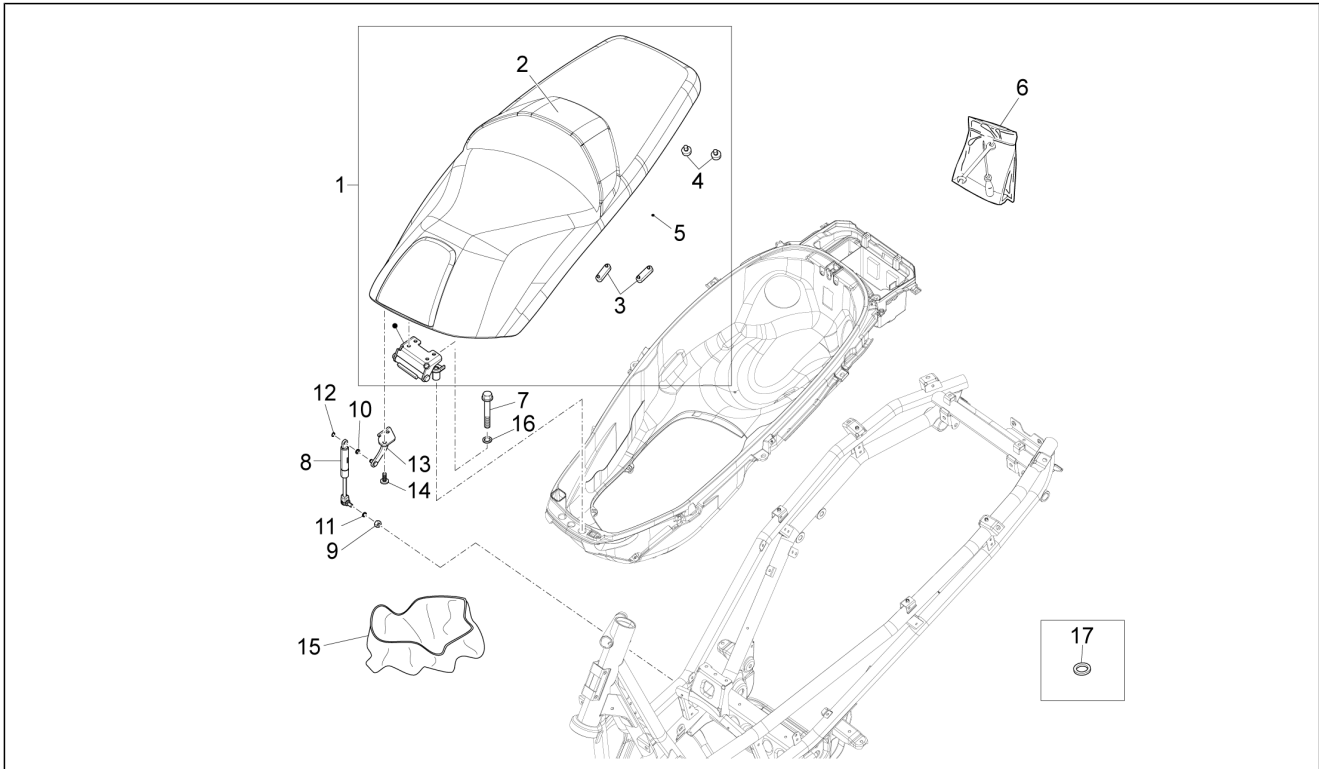
Pos.	Code	Description	Qty	Variants
				Vehicle colour:Matt Black[93/B] ABS - NO ABS:ABS Version[ABS] Vehicle colour:Polished pastel white[595] ABS - NO ABS:ABS Version[ABS] Vehicle colour:Matt grey[773/B] ABS - NO ABS:ABS Version[ABS] Vehicle colour:Ice Grey[755/B] ABS - NO ABS:ABS Version[ABS]
8	576473	Saddle opening warning label	1	
9	576474	Fuel flap open warning label	1	

Group	Frame - Plastic parts - Coachwork
Code	02.39
Description	Saddle/seats
Service	1



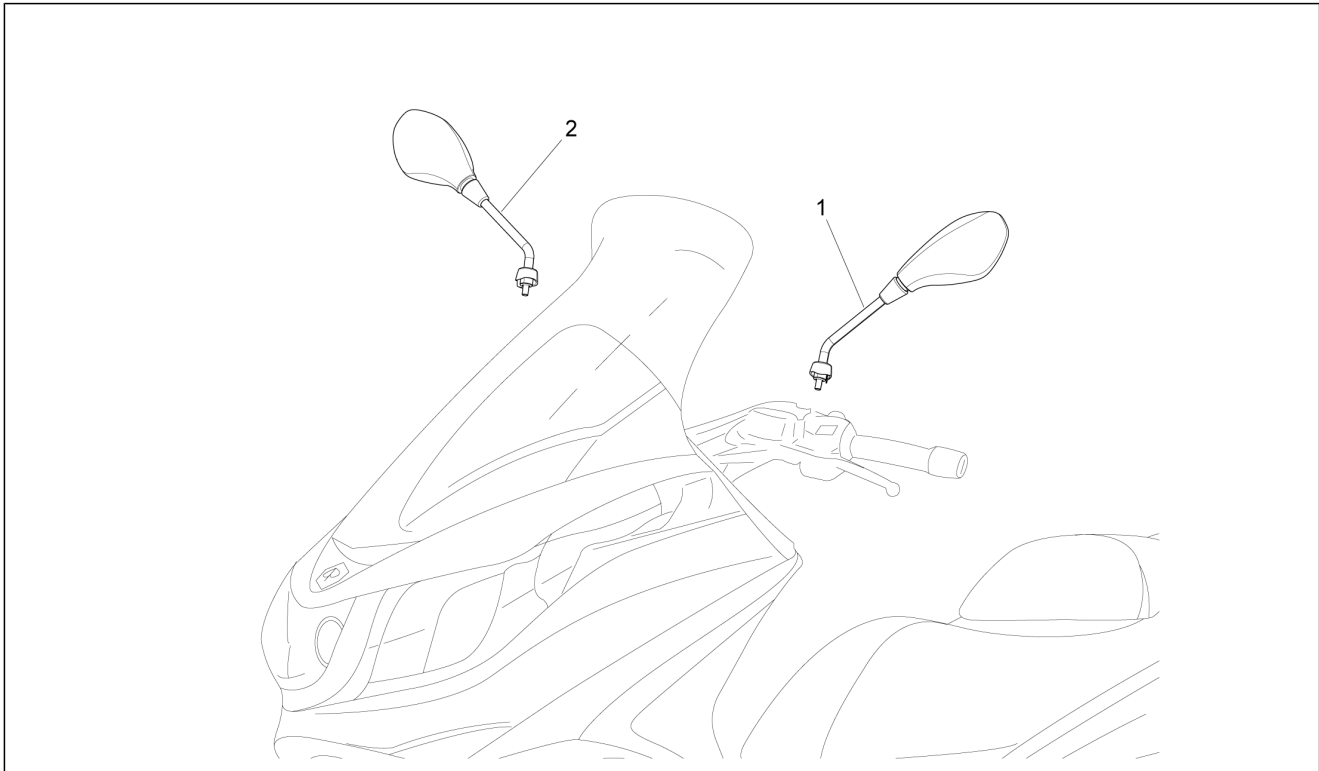
Pos.	Code	Description	Qty	Variants
1	1B000155000C1	Saddle assembly	1	Vehicle colour: Polished pastel white[595] ABS - NO ABS: ABS Version[ABS] Vehicle colour: Polished pastel white[595] ABS - NO ABS: No ABS[No ABS] Vehicle colour: Ice Grey[755/B] ABS - NO ABS: ABS Version[ABS] Vehicle colour: Ice Grey[755/B] ABS - NO ABS: No ABS[No ABS] Vehicle colour: Matt grey[773/B] ABS - NO ABS: ABS Version[ABS] Vehicle colour: Matt grey[773/B] ABS - NO ABS: No ABS[No ABS] Vehicle colour: Matt Black[93/B] ABS - NO ABS: ABS Version[ABS] Vehicle colour: Matt Black[93/B] ABS - NO ABS: No ABS[No ABS]
1	67335500C1	Saddle assembly	1	Vehicle colour: White[566] ABS - NO ABS: ABS Version[ABS] Vehicle colour: BLACK[98/A] ABS - NO ABS: ABS Version[ABS] Vehicle colour: BLACK[98/A]
1	67335500C2	Saddle assembly	1	Vehicle colour: Brown[120/A] Vehicle colour: Grey[713/B] Vehicle colour: Blue[222/A] Vehicle colour: Blue[222/A] ABS - NO ABS: ABS Version[ABS] Vehicle colour: Brown[120/A] ABS - NO ABS: ABS Version[ABS] Vehicle colour: Grey[713/B] ABS - NO ABS: ABS Version[ABS]
2	67394800C1	Backrest	1	Vehicle colour: White[566] ABS - NO ABS: ABS Version[ABS] Vehicle colour: BLACK[98/A] ABS - NO ABS: ABS Version[ABS] Vehicle colour: BLACK[98/A]
2	67394800C2	Backrest	1	Vehicle colour: Grey[713/B]

Group	Frame - Plastic parts - Coachwork
Code	02.39
Description	Saddle/seats
Service	1



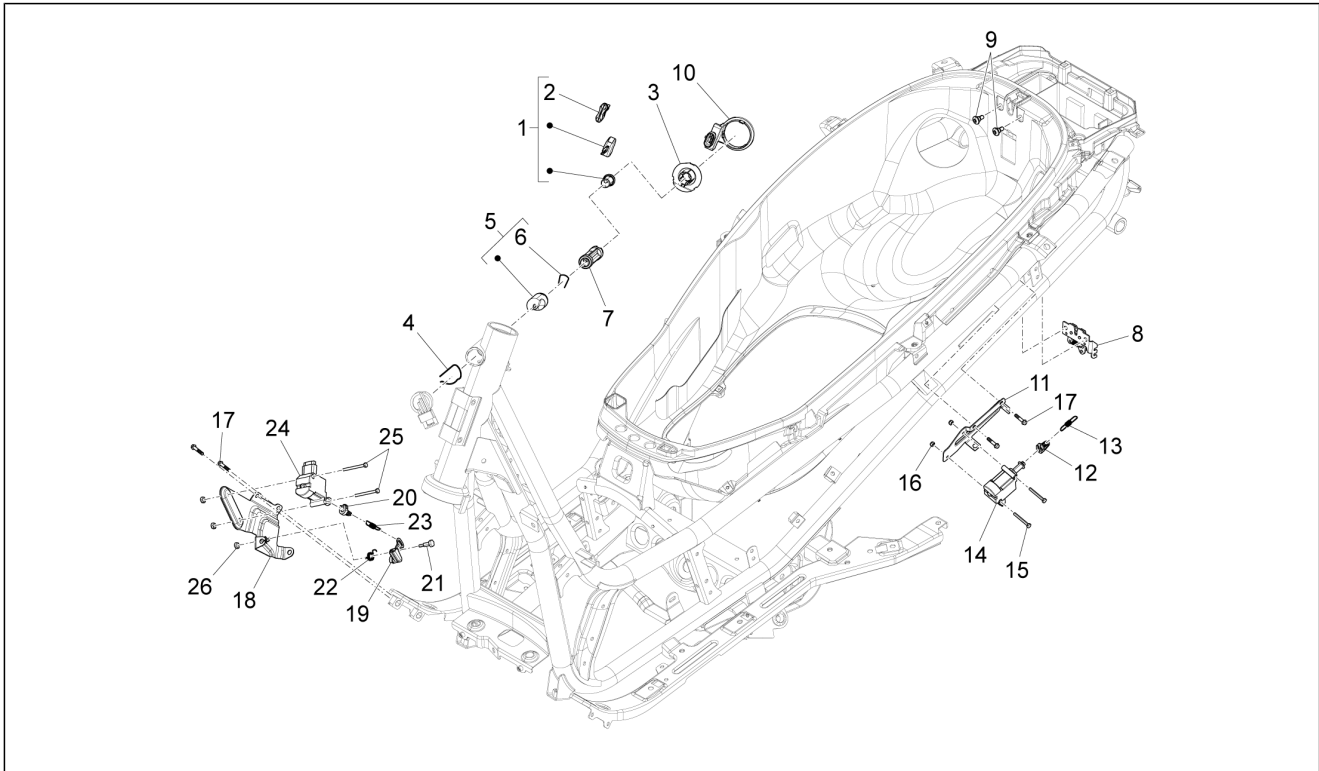
Pos.	Code	Description	Qty	Variants
				Vehicle colour:Brown[120/A] Vehicle colour:Blue[222/A] Vehicle colour:Blue[222/A] ABS - NO ABS:ABS Version[ABS] Vehicle colour:Grey[713/B] ABS - NO ABS:ABS Version[ABS] Vehicle colour:Brown[120/A] ABS - NO ABS:ABS Version[ABS]
3	296456	Pad	2	
4	577492	Pad	2	
5	013963	Washer	1	
6	668661	Tool set, standard l/jack	1	
7	8016210	Screw w/ flange	2	
8	674301	Spring	1	
9	020108	Nut M8x6,5	1	
10	673412	Flat washer	1	
11	012540	Notched washer 14x8,3x1,8	1	
12	005967	Ring	1	
13	674176	Bracket with U.P.	1	
14	018639	Hex screw M6x20	2	
15	675786	Seat protection	1	
16	006125	Flat washer	2	
17	013877	Washer	1	

Group	Frame - Plastic parts - Coachwork
Code	02.45
Description	Driving mirror/s
Service	1



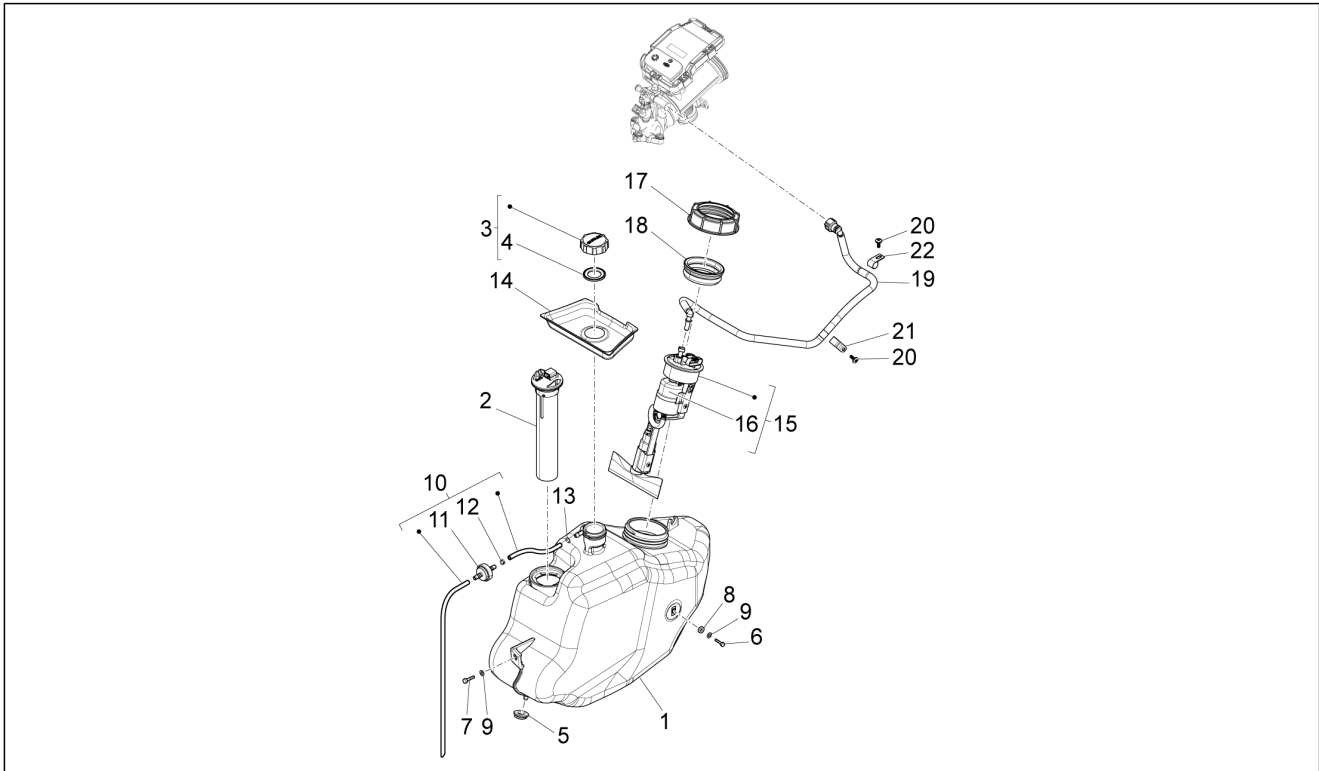
Pos.	Code	Description	Qty	Variants
1	CM182002	LH rearview mirror	1	
1	CM182005	LH rearview mirror	1	
2	CM182003	RH rearview mirror	1	
2	CM182006	RH rearview mirror	1	

Group	Frame - Plastic parts - Coachwork
Code	02.46
Description	Locks
Service	1



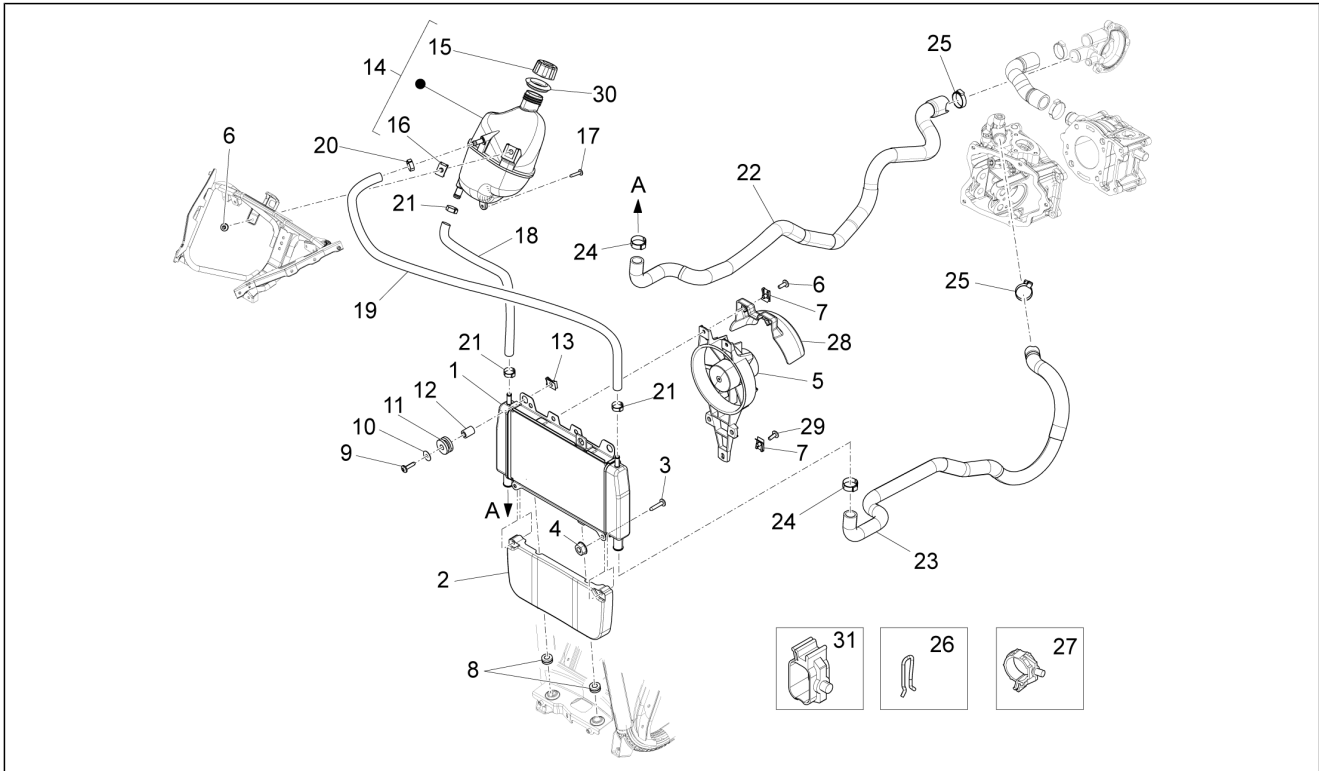
Pos.	Code	Description	Qty	Variants
1	674027	Lock kit	1	
2	675330	Key blank	1	
3	298581	Lock body	1	
4	253937	Spring	1	
5	577816	Block	1	
6	298838	Cylinder retainer spring	1	
7	674028	Lock block extension	1	
8	CM023701	Saddle lock	1	
9	CM179202	screw	2	
10	638534	Immobilizer antenna	1	
11	657224	Transmission support bracket	1	
12	577128	Joint	1	
13	623788	Saddle tightening spring actuator	1	
14	582990	Solenoid valve	1	
15	584121	Hexagonal-head screw	2	
16	577620	Self locking nut	2	
17	969296	Screw w/ flange M6x10	4	
18	674922	Actuator support bracket	1	
19	577129	Lever	1	
20	577128	Joint	1	
21	299972	Special screw	1	
22	577131	Spring	1	
23	620415	Spring	1	
24	582990	Solenoid valve	1	
25	584121	Hexagonal-head screw	2	
26	577620	Self locking nut	3	

Group	Frame - Plastic parts - Coachwork
Code	02.47
Description	Fuel tank
Service	1



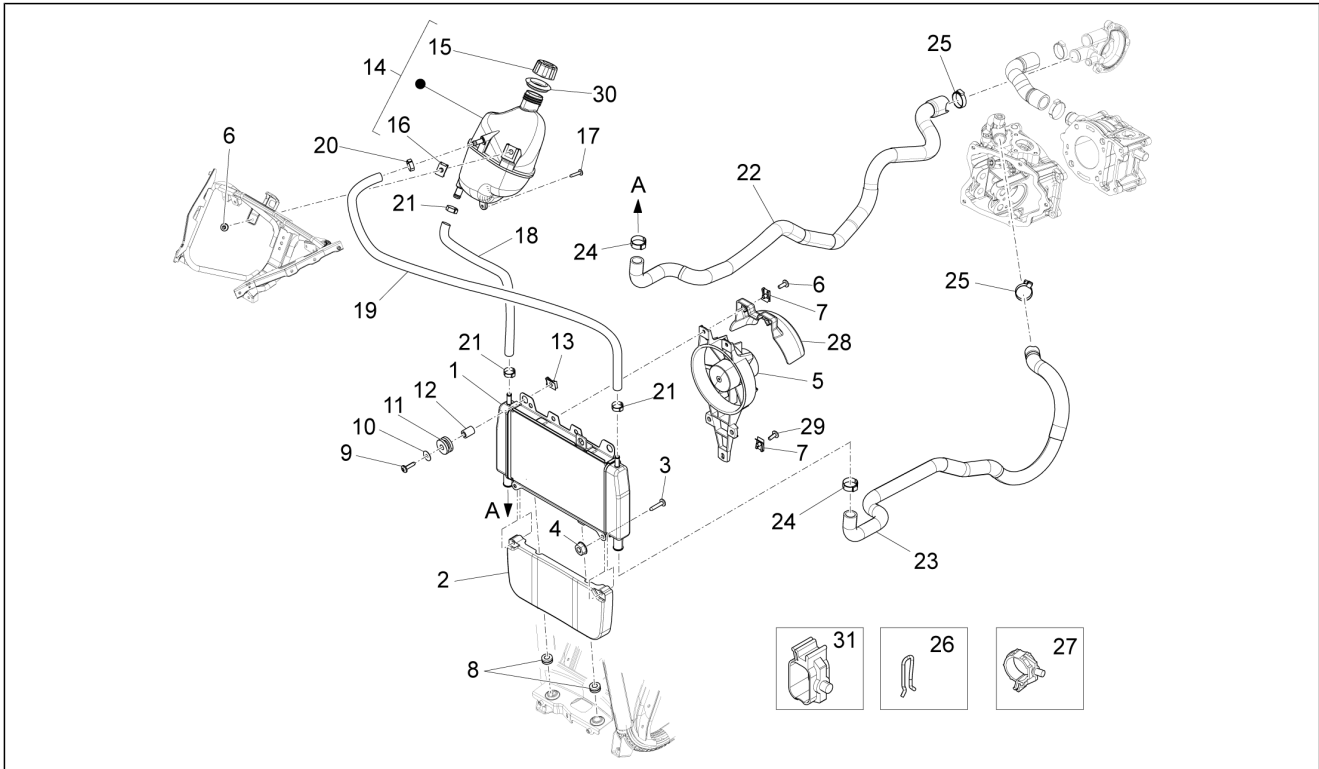
Pos.	Code	Description	Qty	Variants
1	673416	Fuel tank	1	
2	CM025707	Indicator fuel level	1	
3	656022	Plug	1	
4	656021	Tank cover gasket	1	
5	463195	Elastic drift	1	
6	031086	Screw m6x12	2	
7	031088	screw M6x16	1	
8	268304	Flat washer 6,5x21	2	
9	078307	Washer	3	
10	674687	Breather pipe	1	
11	576748	Safety valve	1	
12	CM001914	Hose clamp	1	
13	257134	Lock-strap L=277	1	
14	674888	Fuel recovery tank	1	
15	643138	Complete fuel pump assembly	1	
16	639357	Fuel pump filter	1	
17	576546	Ring nut	1	
18	656003	Gasket	1	
19	674811	Fuel tube	1	
20	CM179301	Screw M6x16	2	
21	482290	Hose clamp	1	
22	623743	Hose clamp	1	

Group	Frame - Plastic parts - Coachwork
Code	02.55
Description	Cooling system
Service	1



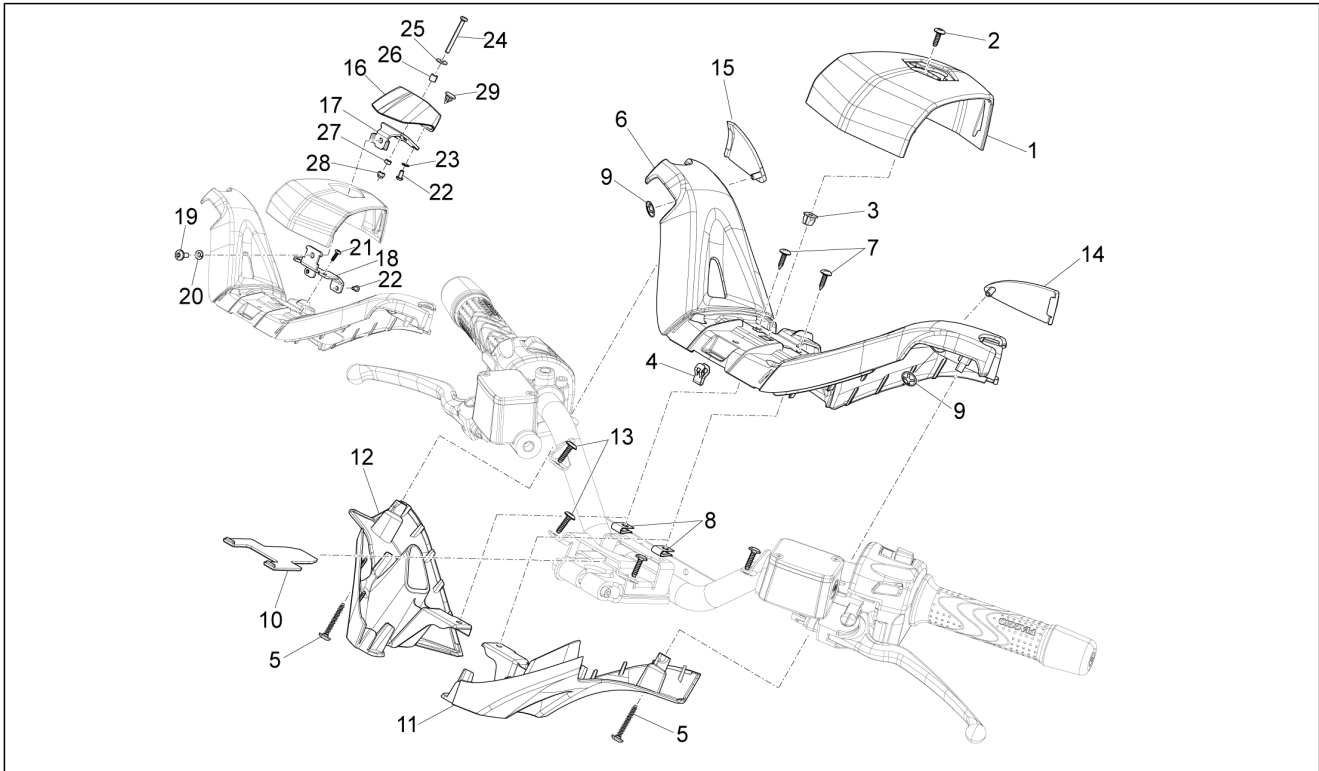
Pos.	Code	Description	Qty	Variants
1	657239	Water cooler	1	
2	674246	Radiator grill closure	1	
3	CM179303	Metric screw M6x30	2	
4	241936	Self locking nut M6	2	
5	58170R	Electric fan	1	
6	CM179305	screw M6x25	2	
7	254485	Spring plate M6	3	
8	258904	Lower rubber	2	
9	CM179305	screw M6x25	2	
10	013092	Washer d6,2x20x1	2	
11	351782	Upper rubber	2	
12	273288	Spacer	2	
13	254485	Spring plate M6	2	
14	674030	Coolant tank	1	
15	623673	Expansion tank plug	1	
16	254485	Spring plate M6	1	
17	CM178606	Self tapping screw 4,2x16	1	
18	CM007020	Water rad.feed pipe	1	
19	CM007019	Radiator return pipe	1	
20	CM001904	Hose clamp	1	
21	CM001902	Hose clamp	3	
22	674812	Pump-radiator pipe fitting	1	
23	674813	Radiator-head pipe fitting link	1	
24	CM001909	Hose clamp	2	
25	675874	Hose clamp	2	
25	AP8104097	Hose clamp	2	
26	672491	Elastic spring	1	
27	CM006914	Non return spring	2	

Group	Frame - Plastic parts - Coachwork
Code	02.55
Description	Cooling system
Service	1



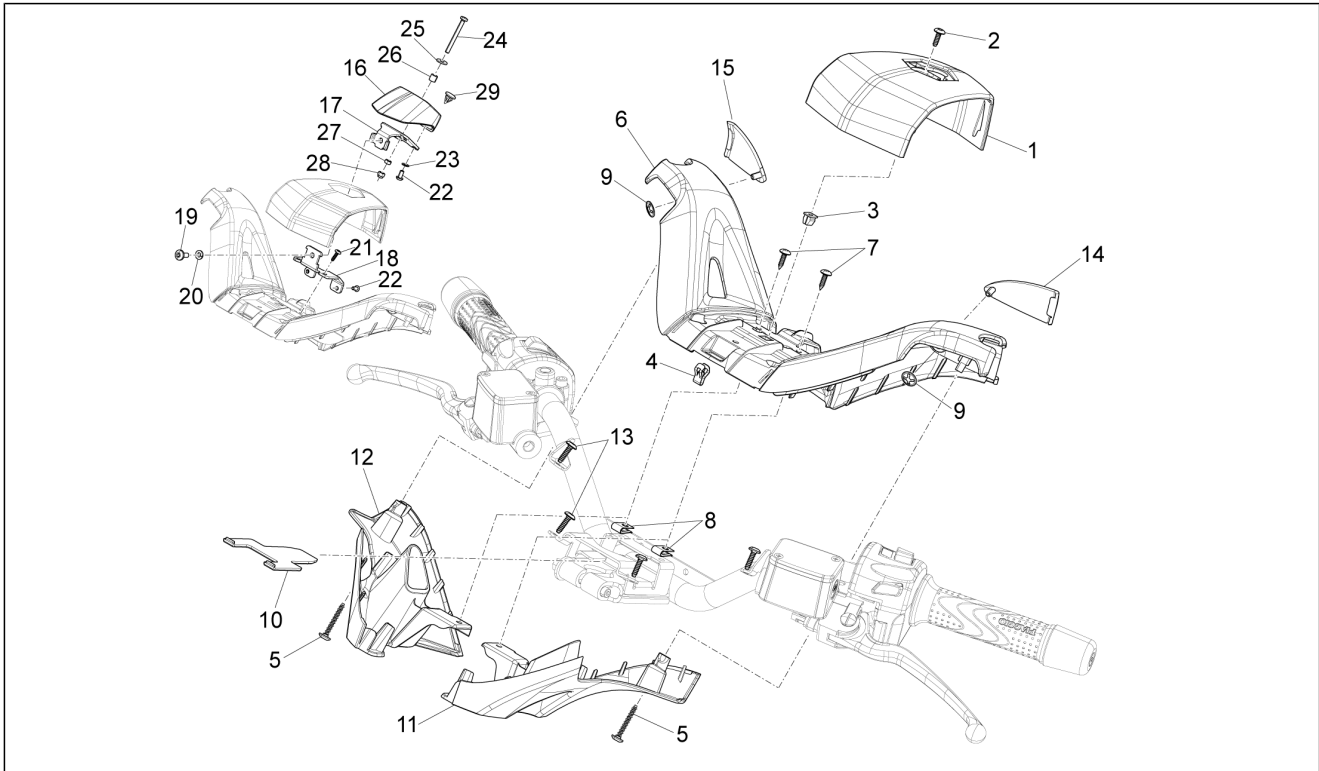
Pos.	Code	Description	Qty	Variants
28	672464	Fan shroud	1	
29	CM179301	Screw M6x16	1	
30	620737	Fuel tank gasket	1	
31	CM006906	Non return spring L=33	1	

Group	Handlebars/Steering
Code	03.01
Description	Handlebars coverages
Service	1



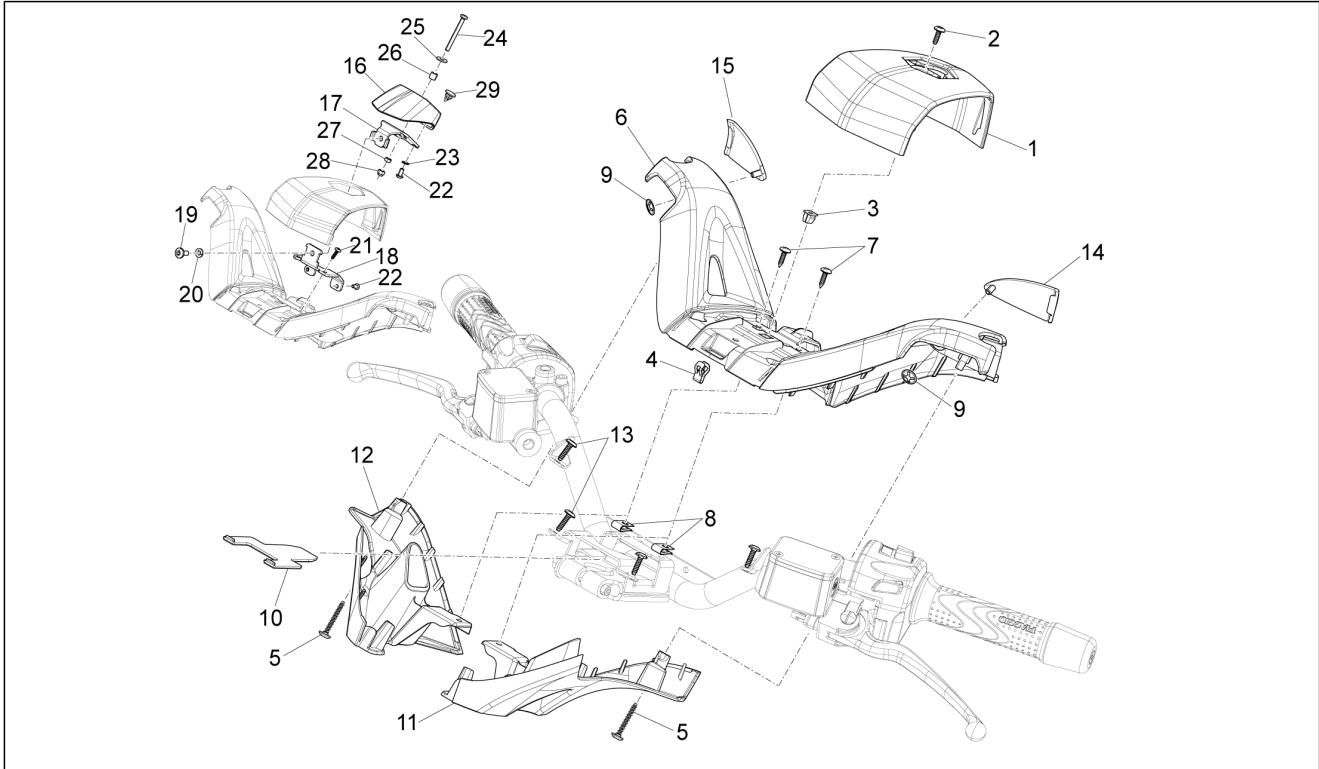
Pos.	Code	Description	Qty	Variants
1	1B000124	Central cover	1	
1	673402	Central cover	1	
1	6734020090	Central cover	1	Vehicle colour:Grey[713/B] Vehicle colour:BLACK[98/A] Vehicle colour:Blue[222/A] Vehicle colour:Brown[120/A] Vehicle colour:BLACK[98/A] ABS - NO ABS:ABS Version[ABS] Vehicle colour:White[566] ABS - NO ABS:ABS Version[ABS] Vehicle colour:Brown[120/A] ABS - NO ABS:ABS Version[ABS] Vehicle colour:Grey[713/B] ABS - NO ABS:ABS Version[ABS] Vehicle colour:Blue[222/A] ABS - NO ABS:ABS Version[ABS]
1	67340240NM	Central cover	1	Vehicle colour:Matt Black[93/B] ABS - NO ABS:ABS Version[ABS] Vehicle colour:Polished pastel white[595] ABS - NO ABS:ABS Version[ABS] Vehicle colour:Matt grey[773/B] ABS - NO ABS:ABS Version[ABS] Vehicle colour:Ice Grey[755/B] ABS - NO ABS:ABS Version[ABS]
2	CM178603	Self tapping screw D4.2x13	1	
3	157716	Expansion plug	1	
4	D9004468091	Gripper clip	1	
5	CM180703	Screw	2	
6	1B000128	Upper handlebar cover	1	
6	1B000128000BU	Upper handlebar cover	1	Vehicle colour:Polished pastel white[595] ABS - NO ABS:ABS Version[ABS] Vehicle colour:Polished pastel white[595] ABS - NO ABS:No ABS[No ABS]
6	1B000128000H2	Upper handlebar cover	1	Vehicle colour:Ice Grey[755/B]

Group	Handlebars/Steering
Code	03.01
Description	Handlebars coverages
Service	1



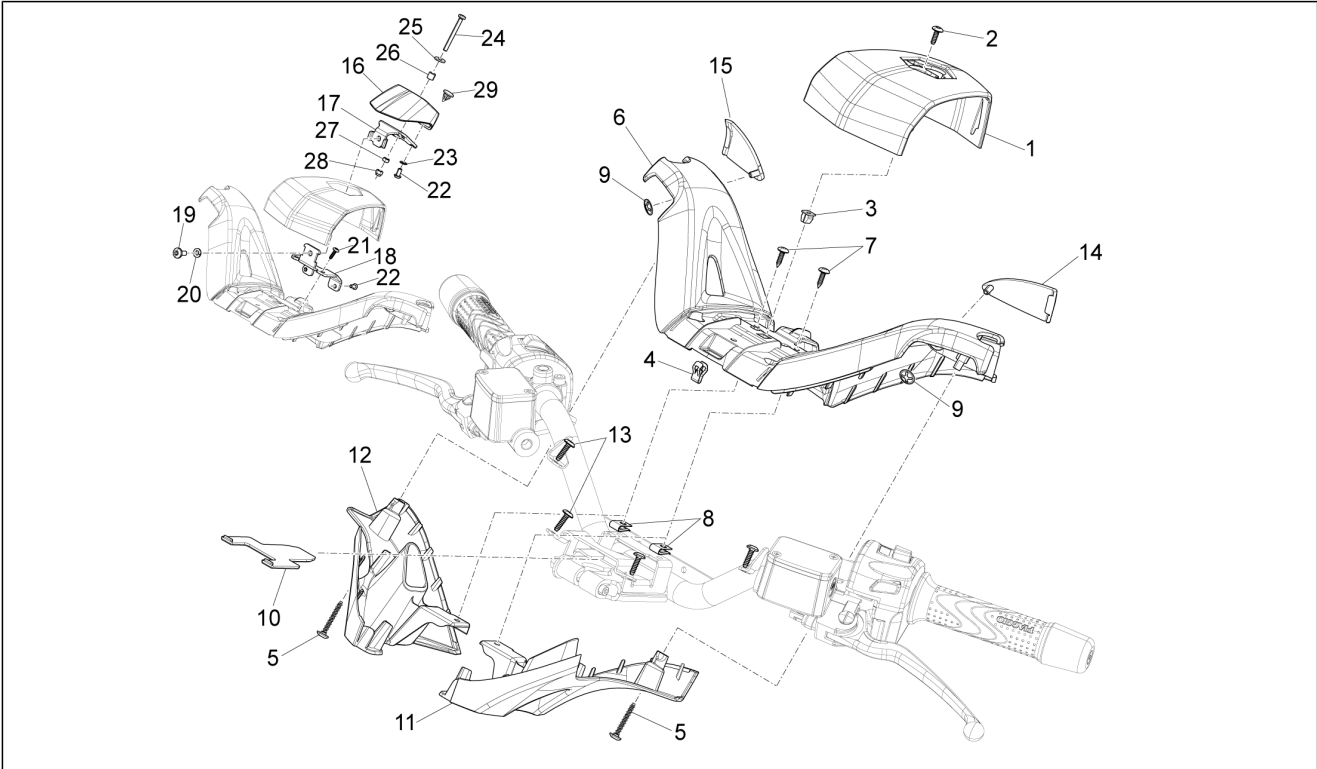
Pos.	Code	Description	Qty	Variants
				ABS - NO ABS:ABS Version[ABS] Vehicle colour:Ice Grey[755/B] ABS - NO ABS:No ABS[No ABS]
6	1B000128000HC	Upper handlebar cover	1	Vehicle colour:Matt grey[773/B] ABS - NO ABS:ABS Version[ABS] Vehicle colour:Matt grey[773/B] ABS - NO ABS:No ABS[No ABS]
6	1B000128000NO	Upper handlebar cover	1	Vehicle colour:Matt Black[93/B] ABS - NO ABS:ABS Version[ABS] Vehicle colour:Matt Black[93/B] ABS - NO ABS:No ABS[No ABS]
6	673379	Upper handlebar cover	1	
7	CM178602	Self tapping screw	2	
8	CM017410	Spring plate	2	
9	230359	Spring plate	2	
10	675011	Guard	1	
11	1B000127000BU	Left lower handlebar cover	1	Vehicle colour:Polished pastel white[595] ABS - NO ABS:No ABS[No ABS] Vehicle colour:Polished pastel white[595] ABS - NO ABS:ABS Version[ABS]
11	1B000127000H2	Left lower handlebar cover	1	Vehicle colour:Ice Grey[755/B] ABS - NO ABS:ABS Version[ABS] Vehicle colour:Ice Grey[755/B] ABS - NO ABS:No ABS[No ABS]
11	1B000127000HC	Left lower handlebar cover	1	Vehicle colour:Matt grey[773/B] ABS - NO ABS:ABS Version[ABS] Vehicle colour:Matt grey[773/B] ABS - NO ABS:No ABS[No ABS]
11	1B000127000NO	Left lower handlebar cover	1	Vehicle colour:Matt Black[93/B] ABS - NO ABS:ABS Version[ABS] Vehicle colour:Matt Black[93/B] ABS - NO ABS:No ABS[No ABS]
11	673380	Left lower handlebar cover	1	Vehicle colour:Brown[120/A] Vehicle colour:BLACK[98/A]

Group	Handlebars/Steering
Code	03.01
Description	Handlebars coverages
Service	1



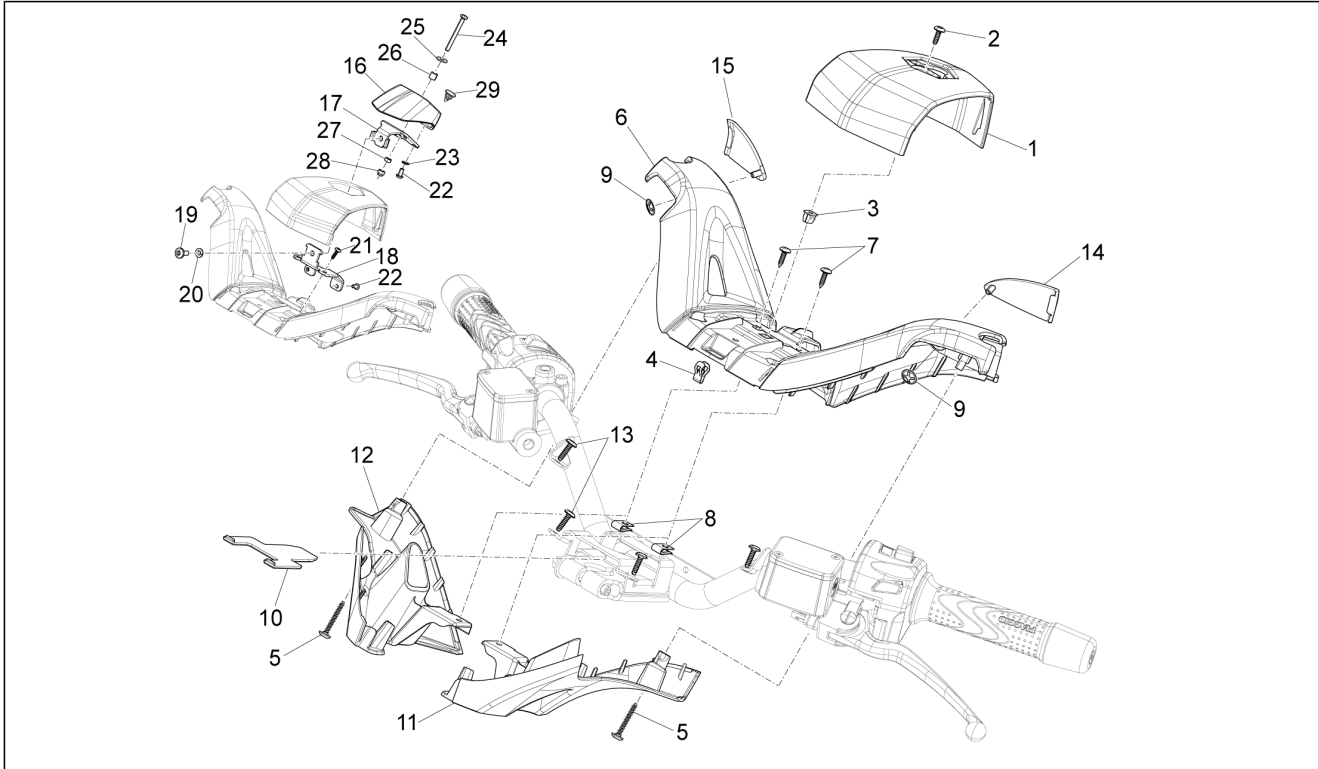
Pos.	Code	Description	Qty	Variants
				Vehicle colour:White[566] Vehicle colour:Blue[222/A] Vehicle colour:Grey[713/B] ABS - NO ABS:ABS Version[ABS] Vehicle colour:Brown[120/A] ABS - NO ABS:ABS Version[ABS] Vehicle colour:White[566] ABS - NO ABS:ABS Version[ABS] Vehicle colour:BLACK[98/A] ABS - NO ABS:ABS Version[ABS] Vehicle colour:Blue[222/A] ABS - NO ABS:ABS Version[ABS] Vehicle colour:Grey[713/B]
12	1B000126000BU	Right handlebar lower cover	1	Vehicle colour:Polished pastel white[595] ABS - NO ABS:No ABS[No ABS] Vehicle colour:Polished pastel white[595] ABS - NO ABS:ABS Version[ABS]
12	1B000126000H2	Right handlebar lower cover	1	Vehicle colour:Ice Grey[755/B] ABS - NO ABS:ABS Version[ABS] Vehicle colour:Ice Grey[755/B] ABS - NO ABS:No ABS[No ABS]
12	1B000126000HC	Right handlebar lower cover	1	Vehicle colour:Matt grey[773/B] ABS - NO ABS:ABS Version[ABS] Vehicle colour:Matt grey[773/B] ABS - NO ABS:No ABS[No ABS]
12	1B000126000NO	Right handlebar lower cover	1	Vehicle colour:Matt Black[93/B] ABS - NO ABS:ABS Version[ABS] Vehicle colour:Matt Black[93/B] ABS - NO ABS:No ABS[No ABS]
12	673378	Right handlebar lower cover	1	Vehicle colour:Brown[120/A] Vehicle colour:BLACK[98/A] Vehicle colour:White[566] Vehicle colour:Blue[222/A] Vehicle colour:Grey[713/B] ABS - NO ABS:ABS Version[ABS] Vehicle colour:Brown[120/A]

Group	Handlebars/Steering
Code	03.01
Description	Handlebars coverages
Service	1



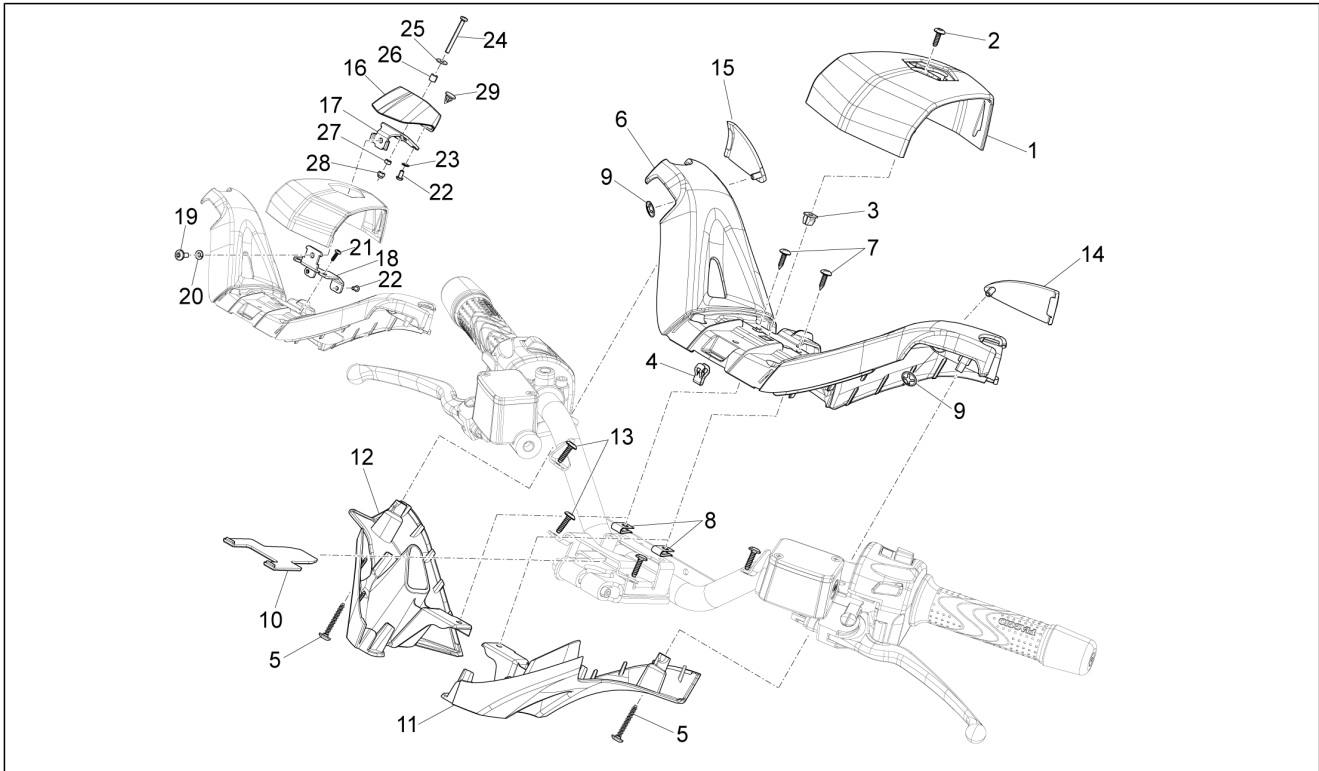
Pos.	Code	Description	Qty	Variants
				ABS - NO ABS:ABS Version[ABS] Vehicle colour:White[566] ABS - NO ABS:ABS Version[ABS] Vehicle colour:BLACK[98/A] ABS - NO ABS:ABS Version[ABS] Vehicle colour:Blue[222/A] ABS - NO ABS:ABS Version[ABS] Vehicle colour:Grey[713/B]
13	CM178606	Self tapping screw 4,2x16	4	
14	67407300H7	Left side handlebar cover	1	Vehicle colour:Grey[713/B] Vehicle colour:BLACK[98/A] Vehicle colour:Blue[222/A] Vehicle colour:Brown[120/A] Vehicle colour:BLACK[98/A] ABS - NO ABS:ABS Version[ABS] Vehicle colour:White[566] ABS - NO ABS:ABS Version[ABS] Vehicle colour:Brown[120/A] ABS - NO ABS:ABS Version[ABS] Vehicle colour:Grey[713/B] ABS - NO ABS:ABS Version[ABS] Vehicle colour:Blue[222/A] ABS - NO ABS:ABS Version[ABS]
14	67579600H7	Left side handlebar cover	1	Vehicle colour:Matt grey[773/B] ABS - NO ABS:ABS Version[ABS] Vehicle colour:Polished pastel white[595] ABS - NO ABS:No ABS[No ABS] Vehicle colour:Ice Grey[755/B] ABS - NO ABS:ABS Version[ABS] Vehicle colour:Blue[222/A] ABS - NO ABS:ABS Version[ABS] Vehicle colour:Polished pastel white[595] ABS - NO ABS:ABS Version[ABS] Vehicle colour:Matt Black[93/B] ABS - NO ABS:ABS Version[ABS] Vehicle colour:Grey[713/B] Vehicle colour:BLACK[98/A]

Group	Handlebars/Steering
Code	03.01
Description	Handlebars coverages
Service	1



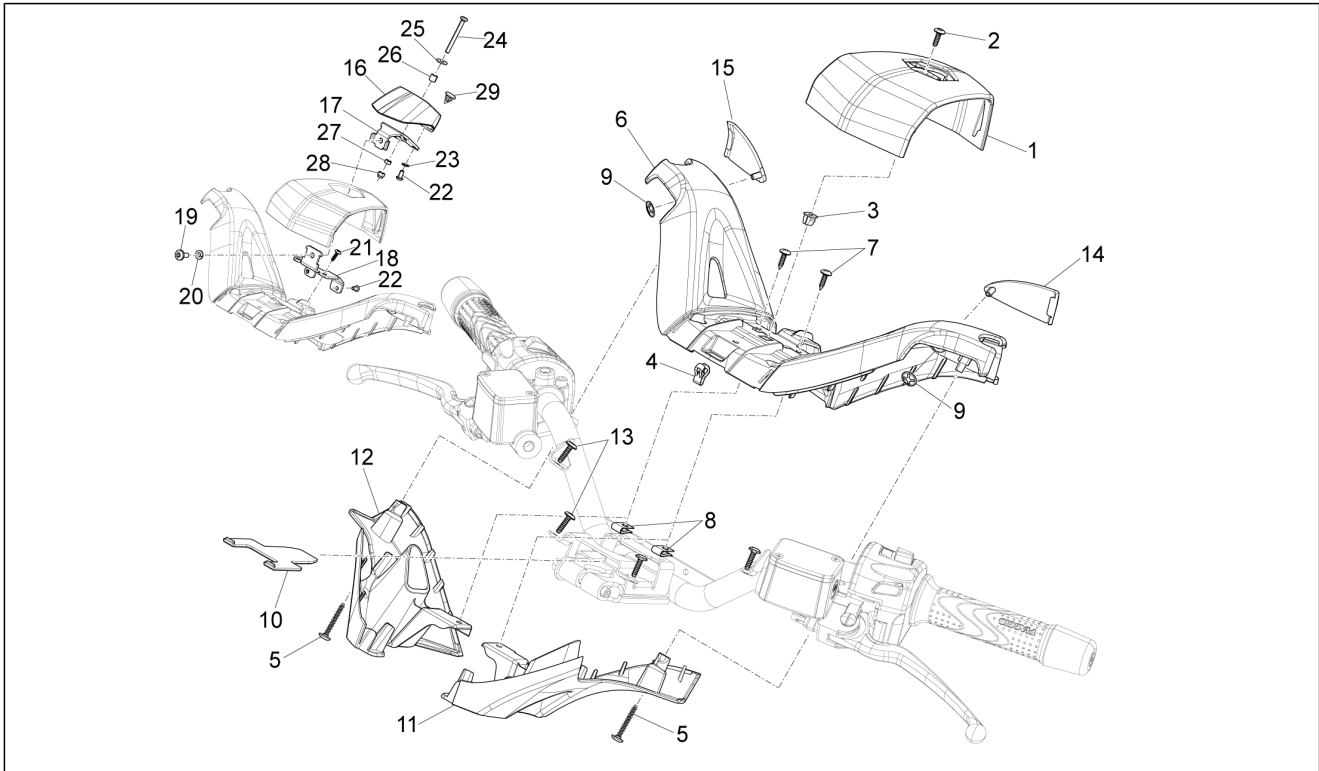
Pos.	Code	Description	Qty	Variants
				Vehicle colour:Matt Black[93/B] ABS - NO ABS:No ABS[No ABS] Vehicle colour:Matt grey[773/B] ABS - NO ABS:No ABS[No ABS] Vehicle colour:Ice Grey[755/B] ABS - NO ABS:No ABS[No ABS] Vehicle colour:Blue[222/A] Vehicle colour:Brown[120/A] Vehicle colour:White[566] Vehicle colour:White[566] ABS - NO ABS:ABS Version[ABS] Vehicle colour:BLACK[98/A] ABS - NO ABS:ABS Version[ABS] Vehicle colour:Grey[713/B] ABS - NO ABS:ABS Version[ABS] Vehicle colour:Brown[120/A] ABS - NO ABS:ABS Version[ABS]
15	67407400H7	Right side handlebar cover	1	Vehicle colour:Grey[713/B] Vehicle colour:BLACK[98/A] Vehicle colour:Blue[222/A] Vehicle colour:Brown[120/A] Vehicle colour:BLACK[98/A] ABS - NO ABS:ABS Version[ABS] Vehicle colour:White[566] ABS - NO ABS:ABS Version[ABS] Vehicle colour:Brown[120/A] ABS - NO ABS:ABS Version[ABS] Vehicle colour:Grey[713/B] ABS - NO ABS:ABS Version[ABS] Vehicle colour:Blue[222/A] ABS - NO ABS:ABS Version[ABS]
15	67579700H7	Right side handlebar cover	1	Vehicle colour:Matt grey[773/B] ABS - NO ABS:ABS Version[ABS] Vehicle colour:Polished pastel white[595] ABS - NO ABS:No ABS[No ABS] Vehicle colour:Ice Grey[755/B] ABS - NO ABS:ABS Version[ABS]

Group	Handlebars/Steering
Code	03.01
Description	Handlebars coverages
Service	1



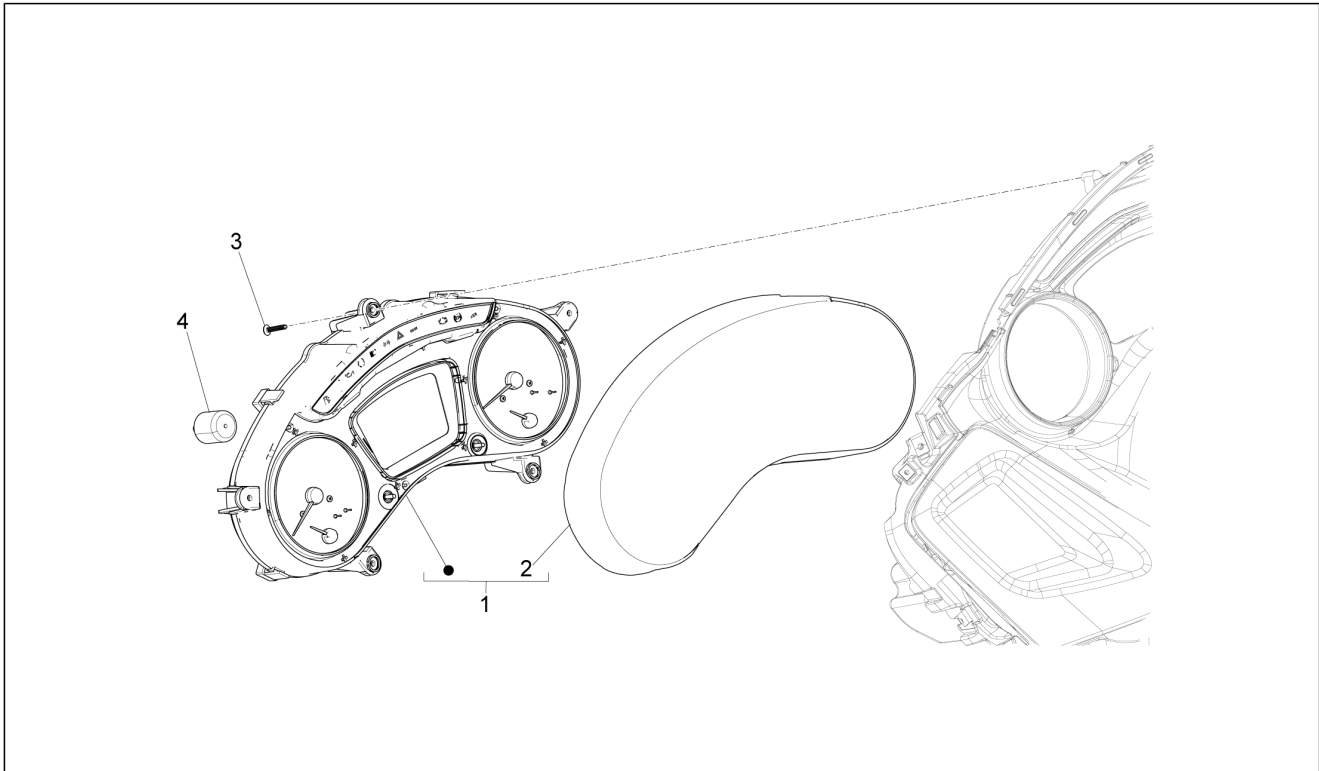
Pos.	Code	Description	Qty	Variants
				Vehicle colour:Blue[222/A] ABS - NO ABS:ABS Version[ABS] Vehicle colour:Polished pastel white[595] ABS - NO ABS:ABS Version[ABS] Vehicle colour:Matt Black[93/B] ABS - NO ABS:ABS Version[ABS] Vehicle colour:Grey[713/B] Vehicle colour:BLACK[98/A] Vehicle colour:Matt Black[93/B] ABS - NO ABS:No ABS[No ABS] Vehicle colour:Matt grey[773/B] ABS - NO ABS:No ABS[No ABS] Vehicle colour:Ice Grey[755/B] ABS - NO ABS:No ABS[No ABS] Vehicle colour:Blue[222/A] Vehicle colour:Brown[120/A] Vehicle colour:White[566] Vehicle colour:White[566] ABS - NO ABS:ABS Version[ABS] Vehicle colour:BLACK[98/A] ABS - NO ABS:ABS Version[ABS] Vehicle colour:Grey[713/B] ABS - NO ABS:ABS Version[ABS] Vehicle colour:Brown[120/A] ABS - NO ABS:ABS Version[ABS]
16	675246	Tyre	1	
17	675249	Bracket with U.P.	1	
18	675250	Bracket	1	
19	CM179301	Screw M6x16	1	
20	016406	Spring washer 6,4x11,8x1	1	
21	CM178604	Self tapping screw	2	
22	829312	Hexagonal-head screw m5x10	6	
23	003055	Plain washer 5,4x10x0,8	4	
24	015978	Screw	1	

Group	Handlebars/Steering
Code	03.01
Description	Handlebars coverages
Service	1



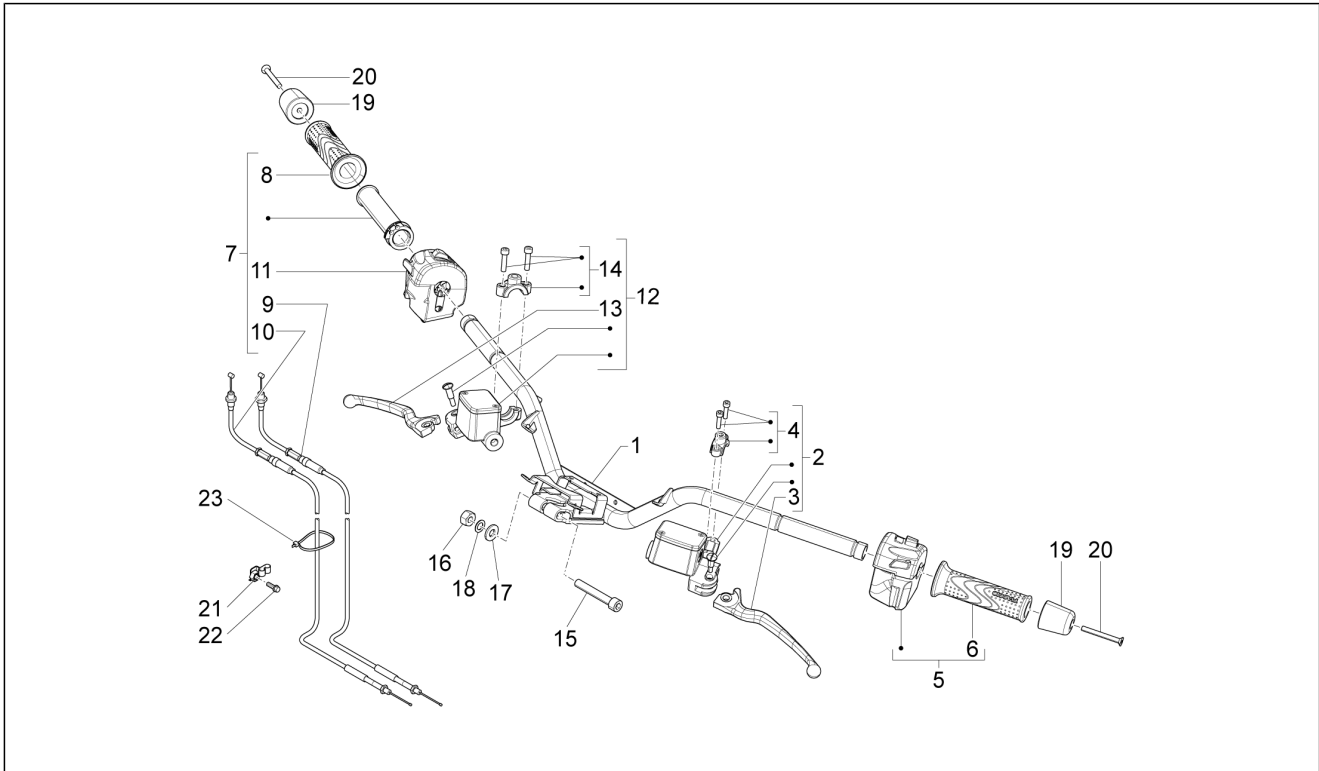
Pos.	Code	Description	Qty	Variants
25	565228	Flat washer	1	
26	656952	Spacer	1	
27	020105	Nut	1	
28	012112	Nut	1	
29	6252687101000	Cover	1	

Group	Handlebars/Steering
Code	03.02
Description	Meter combination - Cruscotto
Service	1



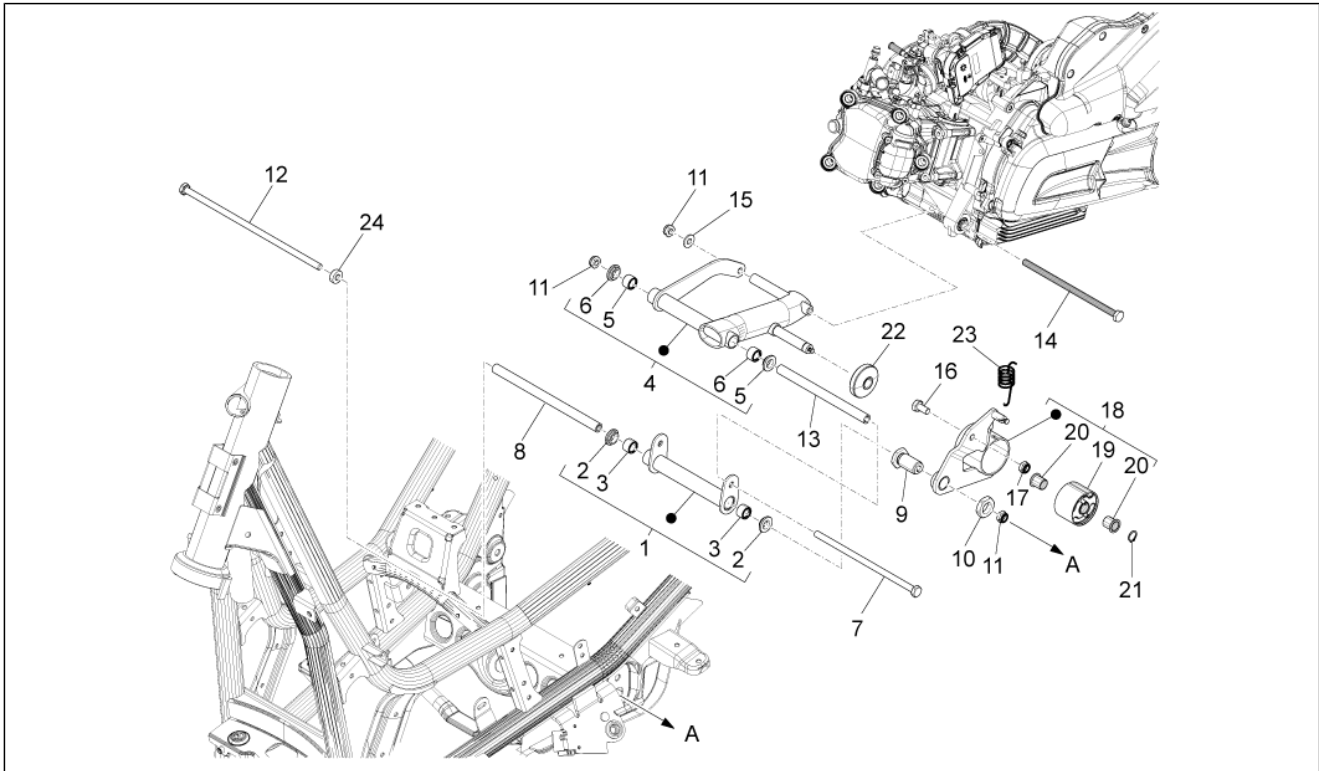
Pos.	Code	Description	Qty	Variants
1	642985	Meter combination	1	
2	680049	Instrument group cover	1	
3	CM178606	Self tapping screw 4,2x16	5	
4	272426	Pad	1	

Group	Handlebars/Steering
Code	03.06
Description	Handlebars - Master cil.
Service	1



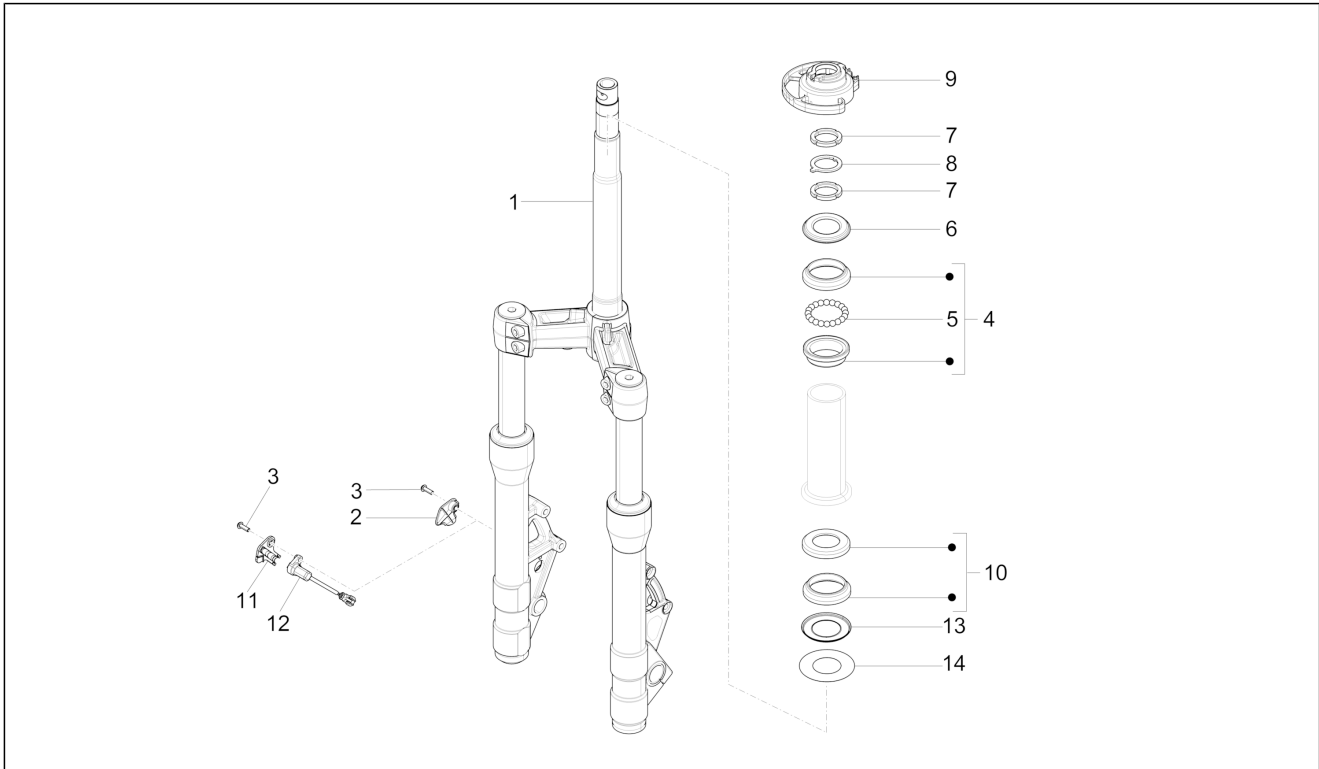
Pos.	Code	Description	Qty	Variants
1	6741055	Handlebar with U.P.	1	
2	CM086401	Left brake hydraulic pump	1	ABS - NO ABS:No ABS[No ABS]
2	CM086403	Left brake hydraulic pump	1	ABS - NO ABS:ABS Version[ABS]
2	CM086405	Left brake hydraulic pump	1	ABS - NO ABS:ABS Version[ABS]
3	668417	Brake lever	1	
4	668387	Bracket	1	
5	667957	LH Hose	1	
6	CM084201	Grip, l.h.	1	
7	CM088203	Complete right throttle control grip	1	
8	CM084202	Grip, r.h.	1	
9	667800	Throttle opening transmission	1	
10	667801	Throttle closing transmission	1	
11	643152	Electric control device DX	1	
12	CM086402	Right brake hydraulic pump	1	ABS - NO ABS:No ABS[No ABS]
12	CM086404	Right brake hydraulic pump	1	ABS - NO ABS:ABS Version[ABS]
12	CM086406	Right brake hydraulic pump	1	ABS - NO ABS:ABS Version[ABS]
13	668417	Brake lever	1	
14	668535	Bracket	1	
15	655554	Hex socket screw M10x65	1	
16	015330	Nut M10	1	
17	178790	Flat washer 22x10,3x2,5	1	
18	012543	Flat elastic washer with internal tothing 17x10,3x2	1	
19	673339	Terminal	2	
20	271434	screw M6x55	2	
21	666620	Fascetta con p.i.	1	
22	434541	Screw w/ flange M6x16	1	
23	257134	Lock-strap L=277	4	

Group	Suspensions - Wheels
Code	04.01
Description	Swinging arm
Service	1



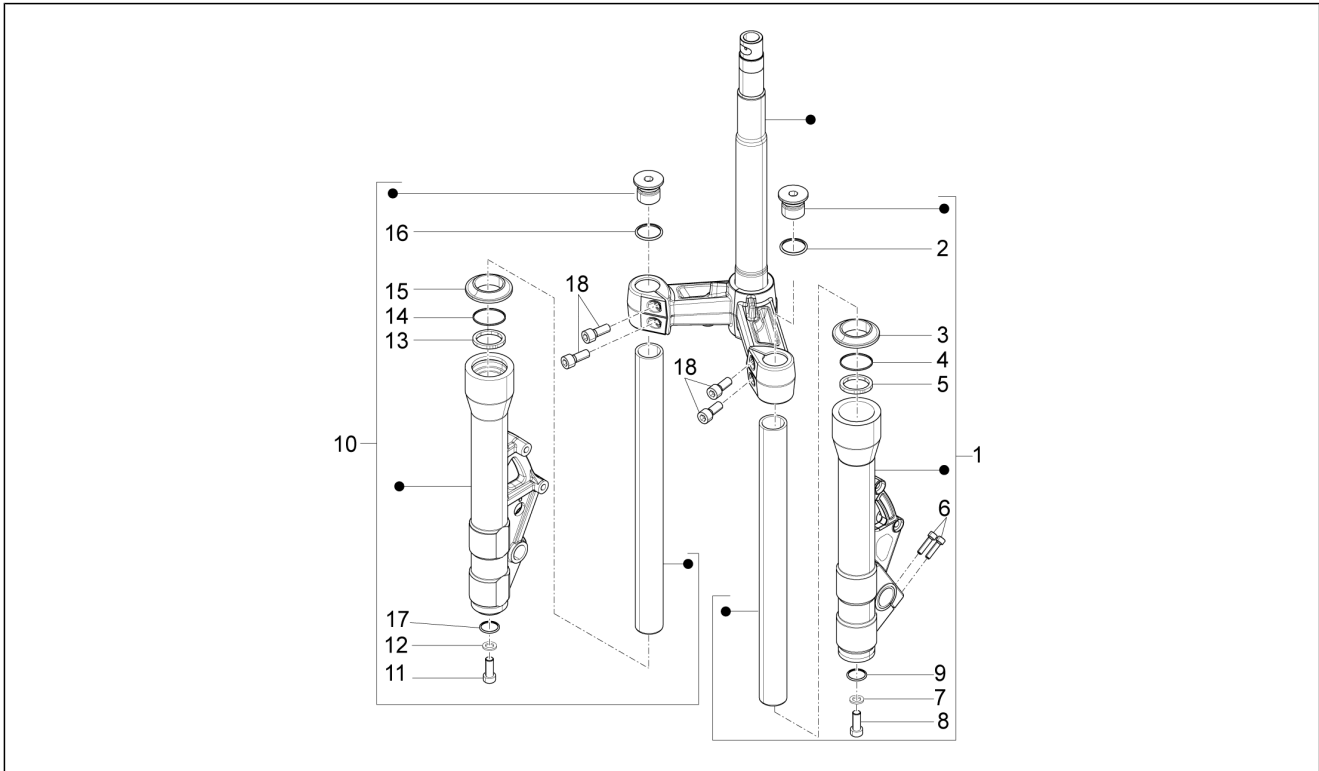
Pos.	Code	Description	Qty	Variants
1	666950	Chassis side swinging arm	1	
2	597317	Bush	2	
3	597374	Roller cage	2	
4	58648R	Engine side swinging arm	1	
4	668190	Engine side swinging arm	1	
5	597317	Bush	2	
6	597374	Roller cage	2	
7	667827	Hex screw M10x225	1	
8	CM067809	Spacer L=235.5	1	
9	668564	Threaded bush	1	
10	564611	Nut m22x2 h=8	1	
11	002440	Self locking nut M10	3	
12	667441	Hex screw	1	
13	CM067807	Spacer L=198	1	
14	597081	screw	1	
15	178790	Flat washer 22x10,3x2,5	1	
16	597893	Hex socket screw	1	
17	002440	Self locking nut M10	1	
18	668199	Complete silent block support bracket	1	
19	272750	Silent-block	1	
20	273460	Bush	2	
21	006416	Circlip	1	
22	599250	Silent-block	1	
23	667026	Spring	1	
24	668718	Spacer	1	

Group	Suspensions - Wheels
Code	04.02
Description	Fork/steering tube - Steering bearing unit
Service	1



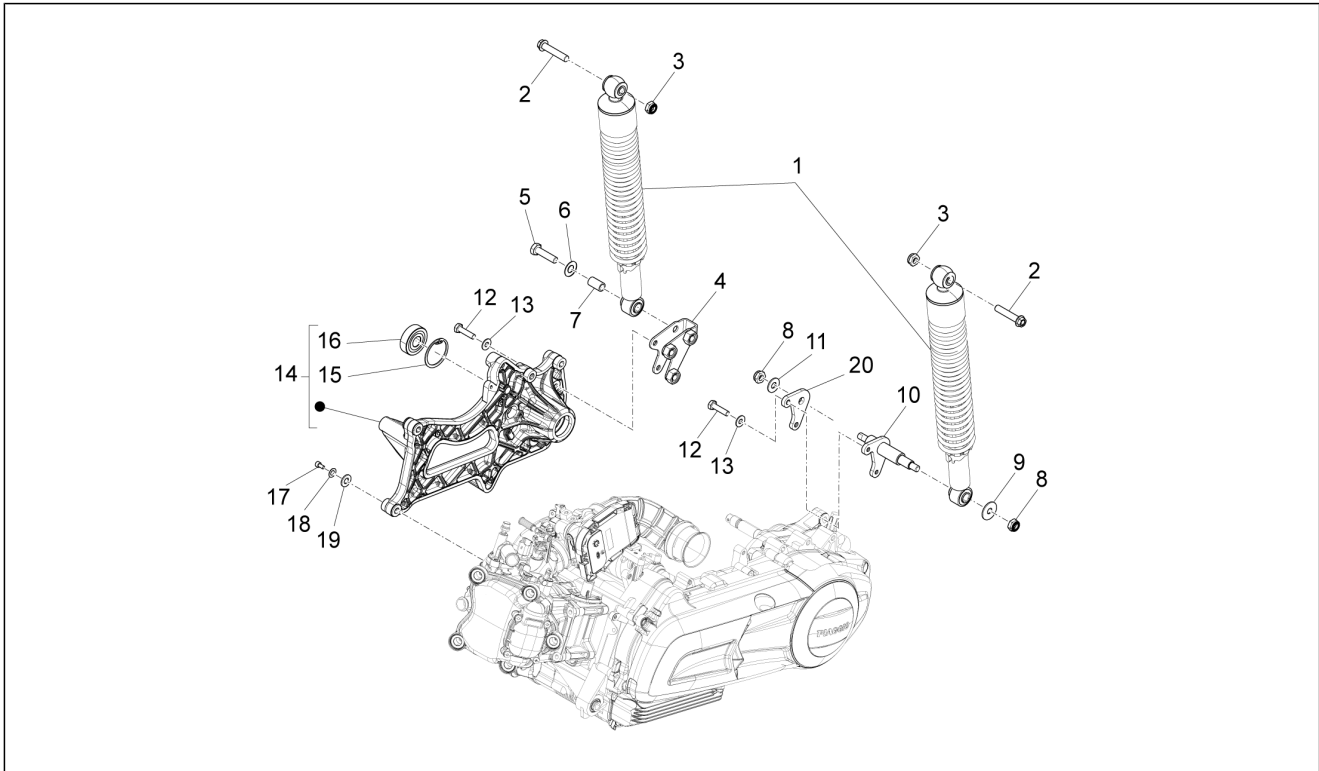
Pos.	Code	Description	Qty	Variants
1	58610R	Front fork	1	
2	668544	Complete cover	1	ABS - NO ABS:ABS Version[ABS]
3	842041	screw	1	ABS - NO ABS:ABS Version[ABS]
4	600750	Upper thrust ring	1	
5	564260	Ball cage	1	
6	600753	Cup	1	
7	0111094	Steering tube ring nut	2	
8	582787	Steering security plate	1	
9	666439	Protective collar	1	
10	56430R	Lower steering bearing	1	
11	668489	Complete cover	1	ABS - NO ABS:ABS Version[ABS]
12	6429875	ABS sensor	1	ABS - NO ABS:ABS Version[ABS]
13	600356	Guard washer	1	
14	600357	Washer	1	

Group	Suspensions - Wheels
Code	04.03
Description	Fork's components (Kayaba)
Service	1



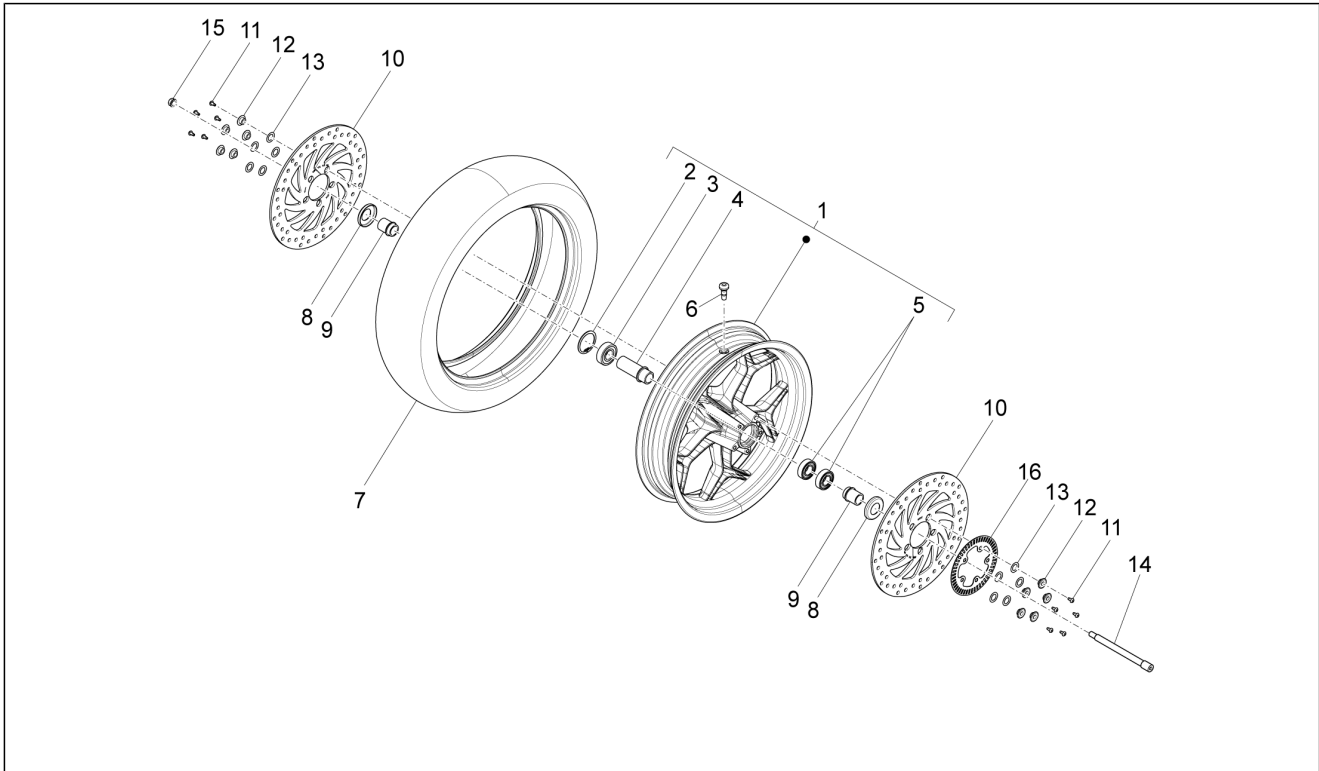
Pos.	Code	Description	Qty	Variants
1	669020	L.H. sleeve assy	1	
2	668498	O-ring	1	
3	669014	Dust cover	1	
4	669013	Snap ring	1	
5	669012	Oil seal	1	
6	668494	screw	2	
7	668941	Washer	1	
8	650433	screw Wuxi top	1	
9	668496	Ring	1	
10	669019	R.H. sleeve assy	1	
11	650433	screw Wuxi top	1	
12	668941	Washer	1	
13	669012	Oil seal	1	
14	669013	Snap ring	1	
15	669014	Dust cover	1	
16	668498	O-ring	1	
17	668496	Ring	1	
18	669018	Special cap screw	4	

Group	Suspensions - Wheels
Code	04.10
Description	Rear suspension - Shock absorber/s
Service	1



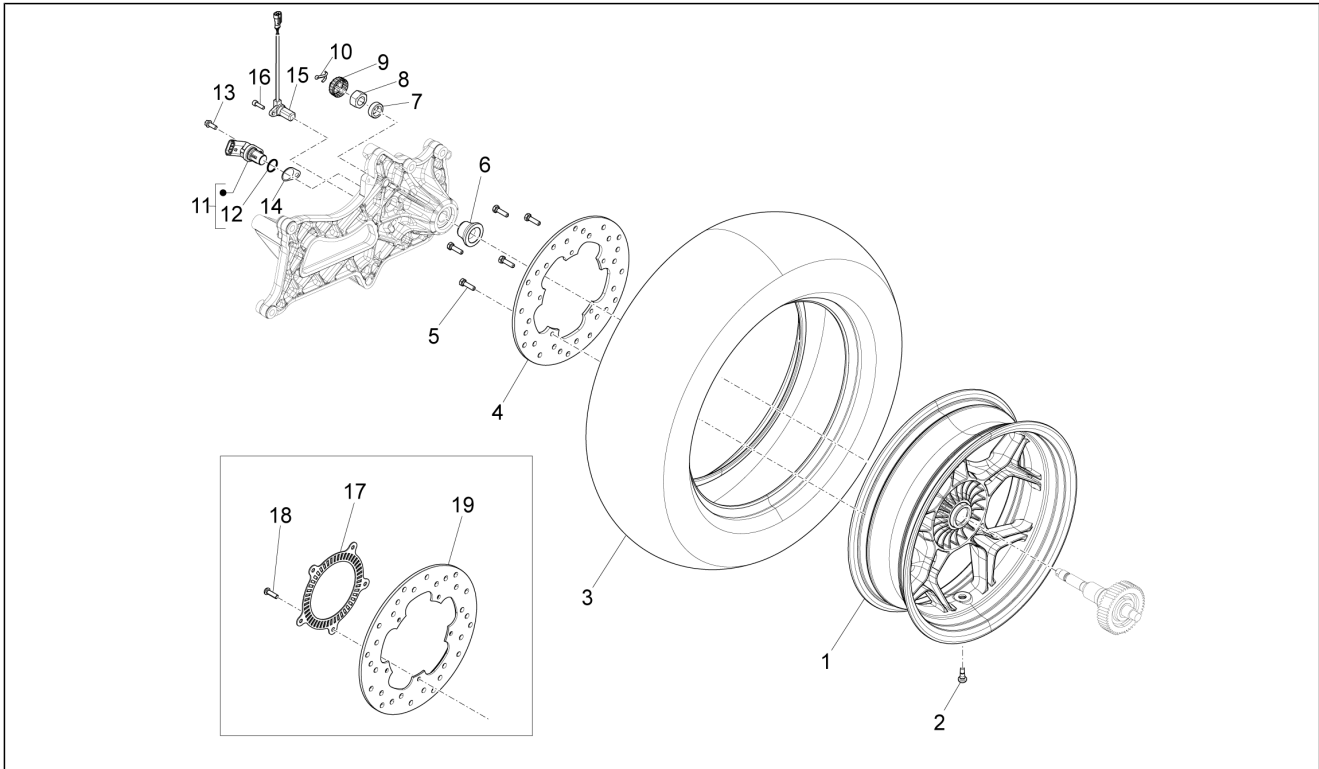
Pos.	Code	Description	Qty	Variants
1	58607R	Complete rear shock absorber	2	
2	598838	Screw w/ flange	2	
3	002440	Self locking nut M10	2	
4	667796	Right rear shock absorber connection bracket	1	
5	030097	screw M10x40	1	
6	709646	Washer	1	
7	AP8161031	Shock absorber bush	1	
8	002440	Self locking nut M10	2	
9	013962	Washer	1	
10	667975	Left rear shock absorber connection bracket	1	
11	016627	Washer	2	
12	030074	screw	4	
13	709047	Spring washer	4	
14	B015347	Braccio sospensione DX completo	1	
14	B019030	Braccio sospensione DX completo	1	
15	006647	Circlip	1	
16	82545R	Ball bearing	1	
17	826298	Hex socket screw	2	
18	834187	Spring washer 16x8,2x2,2	2	
19	013776	Washer	2	
20	667977	Shock absorber support bracket with U.P.	1	

Group	Suspensions - Wheels
Code	04.11
Description	Front wheel
Service	1



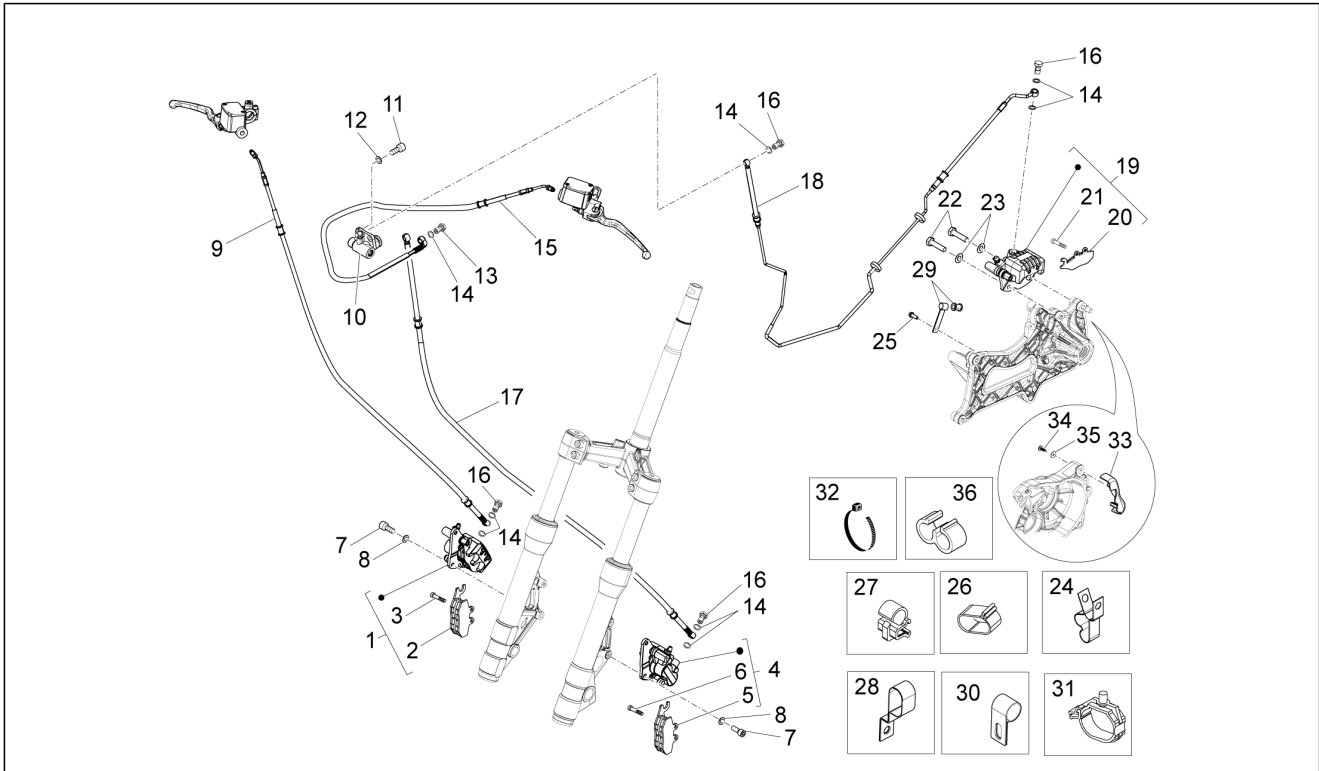
Pos.	Code	Description	Qty	Variants
1	667856	Front wheel complete	1	
2	434735	Bearing 20x47x14	1	
3	006647	Circlip	1	
4	667863	Bearing internal spacer	1	
5	649565	Radial ball bearing	2	
6	597679	Tubeless valve	1	
7	668140	(Michelin) Front tyre 120/70-15"	1	
7	668141	(Pirelli) Front tyre 120/70-15"	1	
7	668142	Front tyre (Sava) 120/70-15"	1	
7	669096	Front tyre (Sava) 120/70-15"	1	
8	667869	Cup	2	
9	667868	Front wheel spacer	2	
10	668824	Brake disc	2	
11	564606	Hex socket screw	10	
12	667828	Bush	10	
13	AP8121641	Ring	10	
14	667870	Front wheel spindle	1	
15	AP8221329	DAX flange nut M16x1,25	1	
16	667829	ABS phonic wheel	1	ABS - NO ABS:ABS Version[ABS]

Group	Suspensions - Wheels
Code	04.12
Description	Rear wheel
Service	1



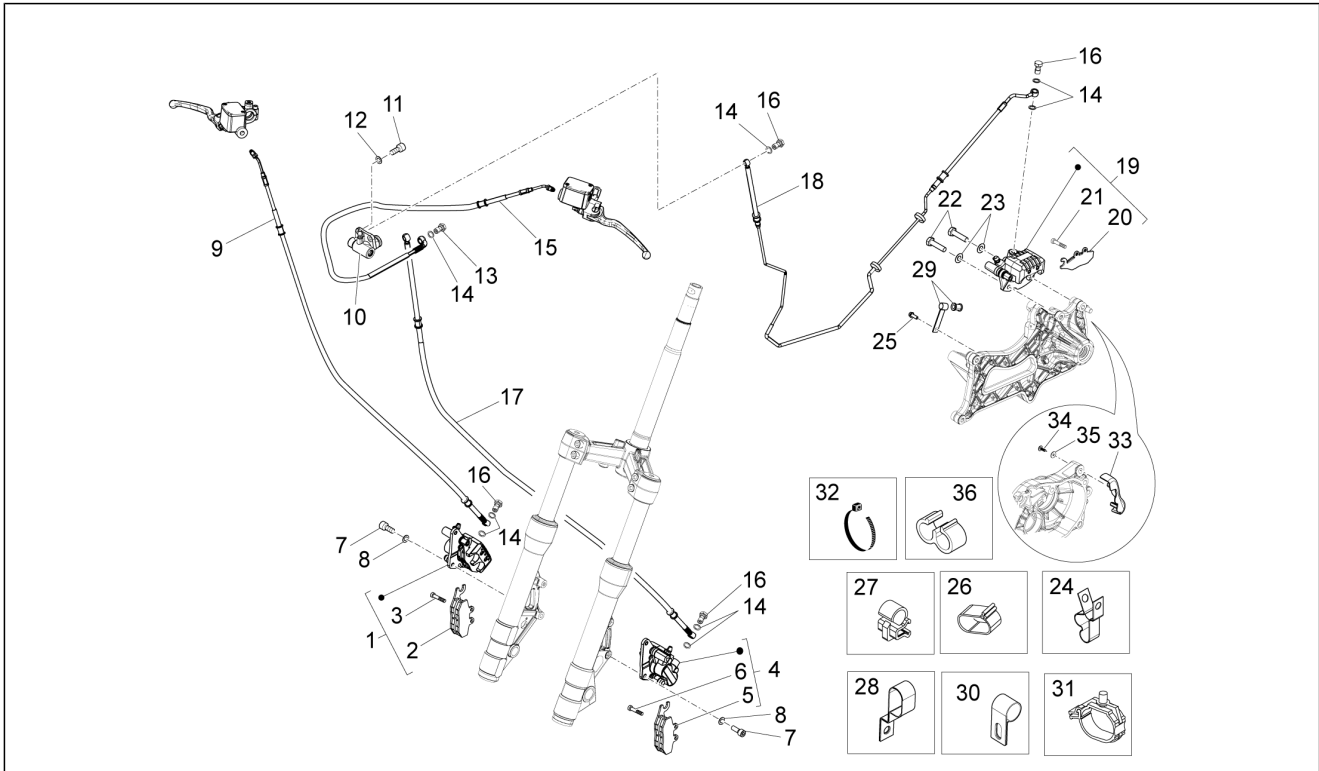
Pos.	Code	Description	Qty	Variants
1	667924	Rear wheel 4,00x13"	1	
2	597679	Tubeless valve	1	
3	668143	(Michelin) Tyre 150/70-13"	1	
3	668144	Tire (Pirelli) 150/70-13"	1	
3	668145	Tyre (Sava) 150/70-13"	1	
3	669097	Rear tyre (Sava) 150/70-13"	1	
4	56498R	Brake disc	1	
5	667153	Hex screw M6x22	5	
6	666659	Spacer	1	
7	597528	Spacer	1	
8	563728	Nut M16x13	1	
9	194423	Nut hold cap	1	
10	012789	Split pin	1	
11	832963	Phase/revolution sensor	1	
12	430044	O-ring	1	
13	434541	Screw w/ flange M6x16	1	
14	646760	Spacer for timing sensor	1	
15	642987	ABS rear sensor	1	ABS - NO ABS:ABS Version[ABS]
16	842041	screw	1	ABS - NO ABS:ABS Version[ABS]
17	667715	ABS rear tone wheel	1	ABS - NO ABS:ABS Version[ABS]
18	667152	Hex socket screw M6x20	5	ABS - NO ABS:ABS Version[ABS]
19	667851	Rear brake disc	1	ABS - NO ABS:ABS Version[ABS]

Group	Braking system - Transmissions
Code	05.01
Description	Brakes pipes - Calipers
Service	1



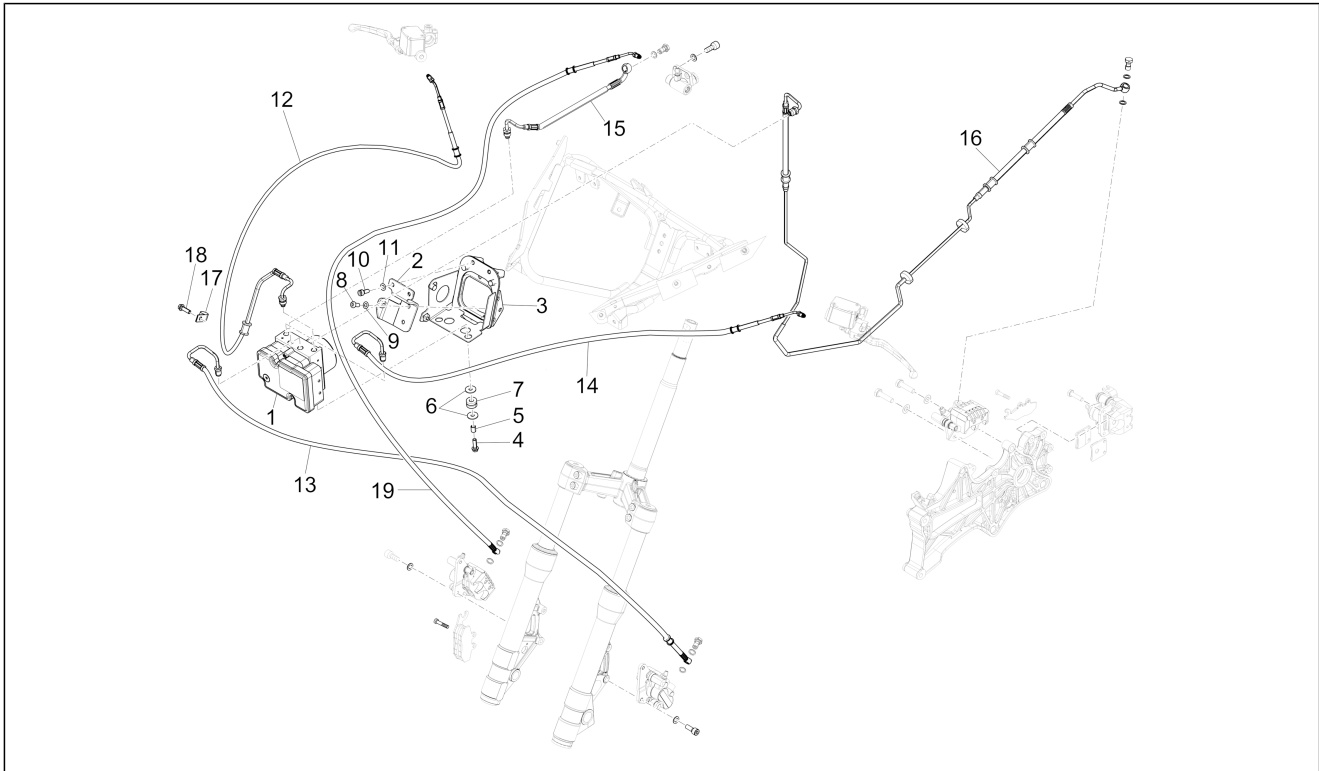
Pos.	Code	Description	Qty	Variants
1	CM068316	Rh brake caliper	1	
2	668017	Brake pads torque	1	
3	666139	Brake supp. plate pin	1	
4	CM068317	Lh brake caliper	1	
5	668021	Brake pads torque	1	
6	666139	Brake supp. plate pin	1	
7	651297	Torx convex big end screw	4	
8	709047	Spring washer	4	
9	668228	Hydraulic brake pipe	1	
10	CM086101	Pressure adjusting valve	1	
11	709099	Hex socket screw M6x16	2	
12	006976	Spring washer 12x6,4x0,5	2	
13	597633	Oil pipe screw *	1	
14	127927	Gasket	11	
15	668229	Brake pipe (valve-caliper L.H.)	1	
16	265451	Oil pipe screw M10x18	4	
17	668231	Brake pipe (valve-caliper)	1	
18	667799	Brake pipe (valve-caliper)	1	
18	668722	Brake pipe (valve-caliper)	1	
19	CM068318	Brake caliper	1	
20	665842	(Heng Tong) Brake pads torque	1	
21	666139	Brake supp. plate pin	1	
22	668136	Hex screw	2	
23	709646	Washer	2	
24	666047	Hose clamp	2	
25	434541	Screw w/ flange M6x16	5	
26	179013	Spring	1	
27	CM013201	Spring	1	

Group	Braking system - Transmissions
Code	05.01
Description	Brakes pipes - Calipers
Service	1



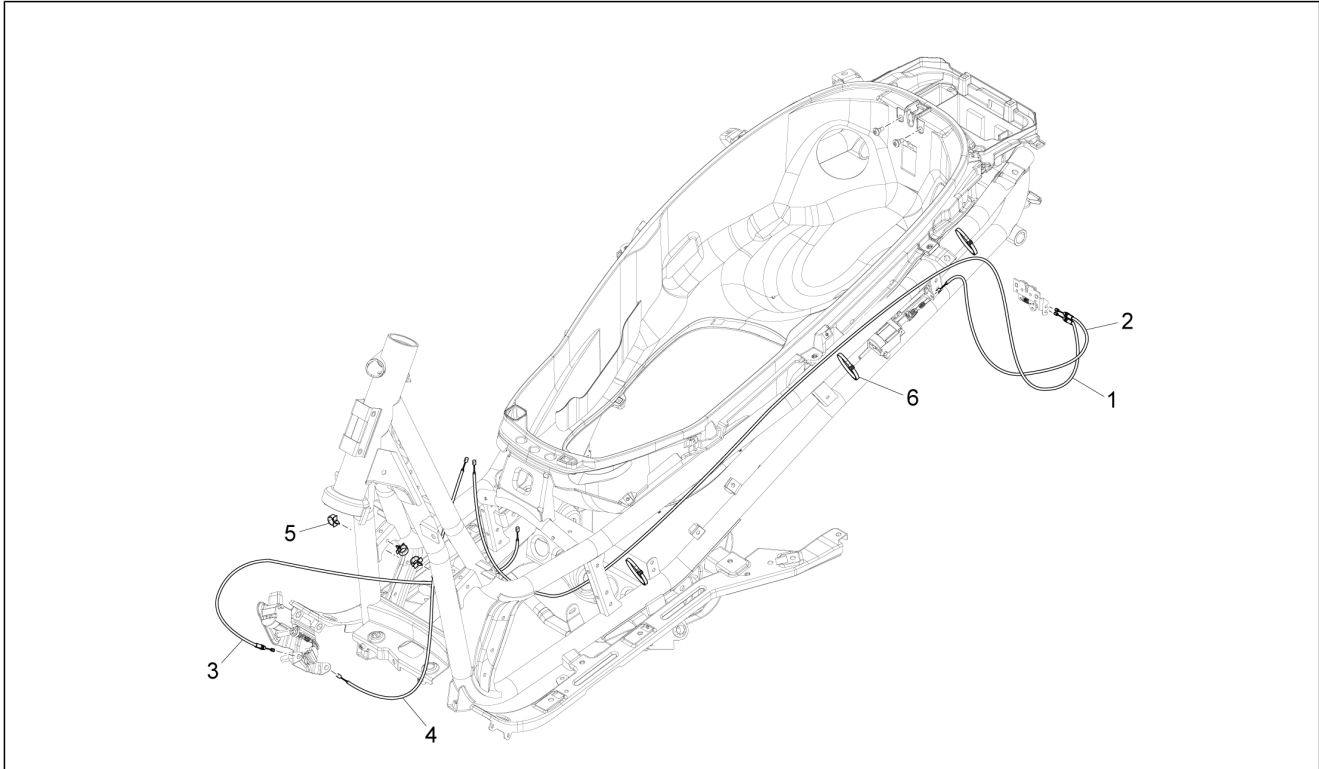
Pos.	Code	Description	Qty	Variants
28	668866	Hose clamp	1	
29	668448	Hose clamp	1	
30	623743	Hose clamp	2	
31	CM006902	Non return spring	3	
31	CM006904	Non return spring l=27	3	
32	145298	Lock-strap L=180mm	3	
33	672204	Pin connection cover	1	
34	CM178601	Self tapping screw D4.2x16	1	
35	013763	Flat washer 4,2x12x1	1	
36	667156	Hose clamp	2	

Group	Braking system - Transmissions
Code	05.02
Description	Brakes pipes - Calipers (ABS)
Service	1



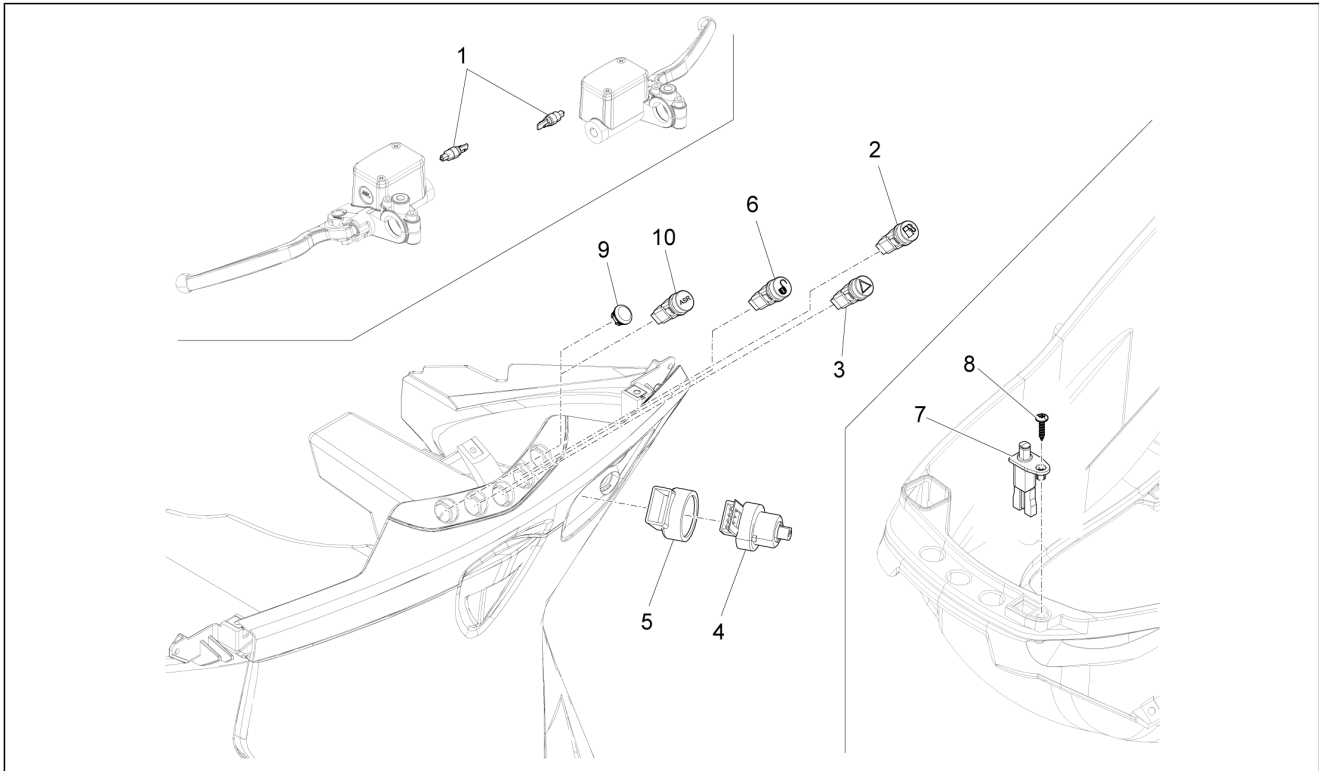
Pos.	Code	Description	Qty	Variants
1	667981	ABS electro-hydraulic control unit	1	
1	667999	ABS electro-hydraulic control unit	1	
2	668264	Support clamp	1	
3	668058	ABS SUPPORT BRACKET WITH I.P.	1	
4	018639	Hex screw M6x20	3	
5	174969	Spacer	3	
6	179575	Washer	6	
7	939278	Pad	3	
8	874554	Screw w/ flange M6x14	2	
8	877793	TBIC screw	2	
9	006966	Spring washer 6,4x11x0,5	2	
10	709099	Hex socket screw M6x16	3	
11	006976	Spring washer 12x6,4x0,5	3	
12	668215	ABS unit right brake pump pipe	1	
13	668216	ABS unit brake pipe - front brake pin	1	
14	668214	ABS unit - left brake pump pipe	1	
15	668217	ABS brake pipe - Valve	1	
16	668691	Rear brake pipe	1	
17	598795	Hose clamp	1	
18	874554	Screw w/ flange M6x14	1	
19	668231	Brake pipe (valve-caliper)	1	

Group	Braking system - Transmissions
Code	05.03
Description	Transmissions
Service	1



Pos.	Code	Description	Qty	Variants
1	CM012846	Saddle cable	1	
2	CM012847	Saddle cable	1	
3	CM012848	Fuel door opening transmission	1	
4	CM012849	Fuel emergency opening transmission	1	
5	231590	Elastic spring	3	
6	257134	Lock-strap L=277	3	

Group	Electrical system
Code	06.01
Description	Selectors - Switches - Buttons
Service	1



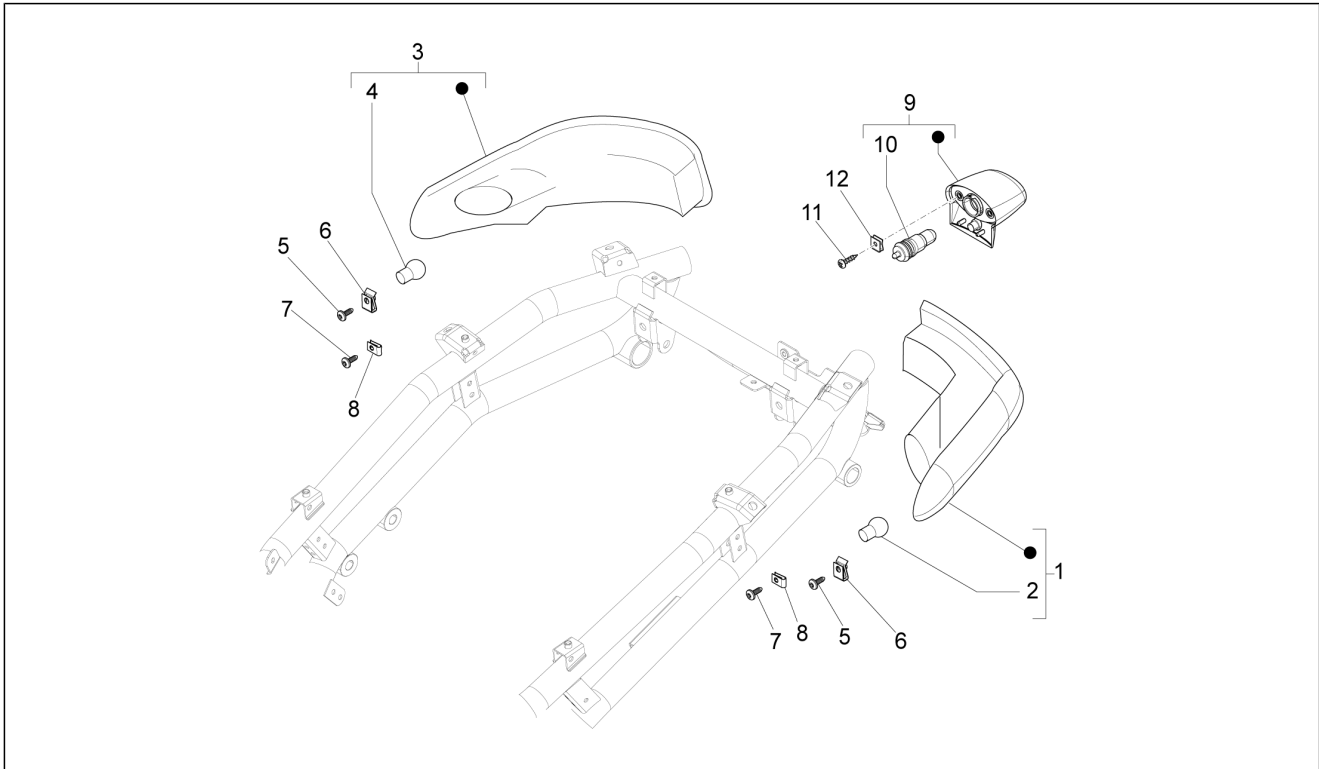
Pos.	Code	Description	Qty	Variants
1	642032	stop Button	2	
2	641707	Button	1	
3	642079	Emergency turn indicator button	1	
4	643132	Key switch	1	
5	582041	Commutator cap	1	
6	582988	Saddle opening button	1	
7	584826	Button	1	
8	018536	Self-tap screw 3,5x13	1	
9	581412	Cover	2	
10	643130	""ASR"" BUTTON"	1	ABS - NO ABS:ABS Version[ABS]

Group	Electrical system
Code	06.03
Description	Front headlamps - Turn signal lamps
Service	1



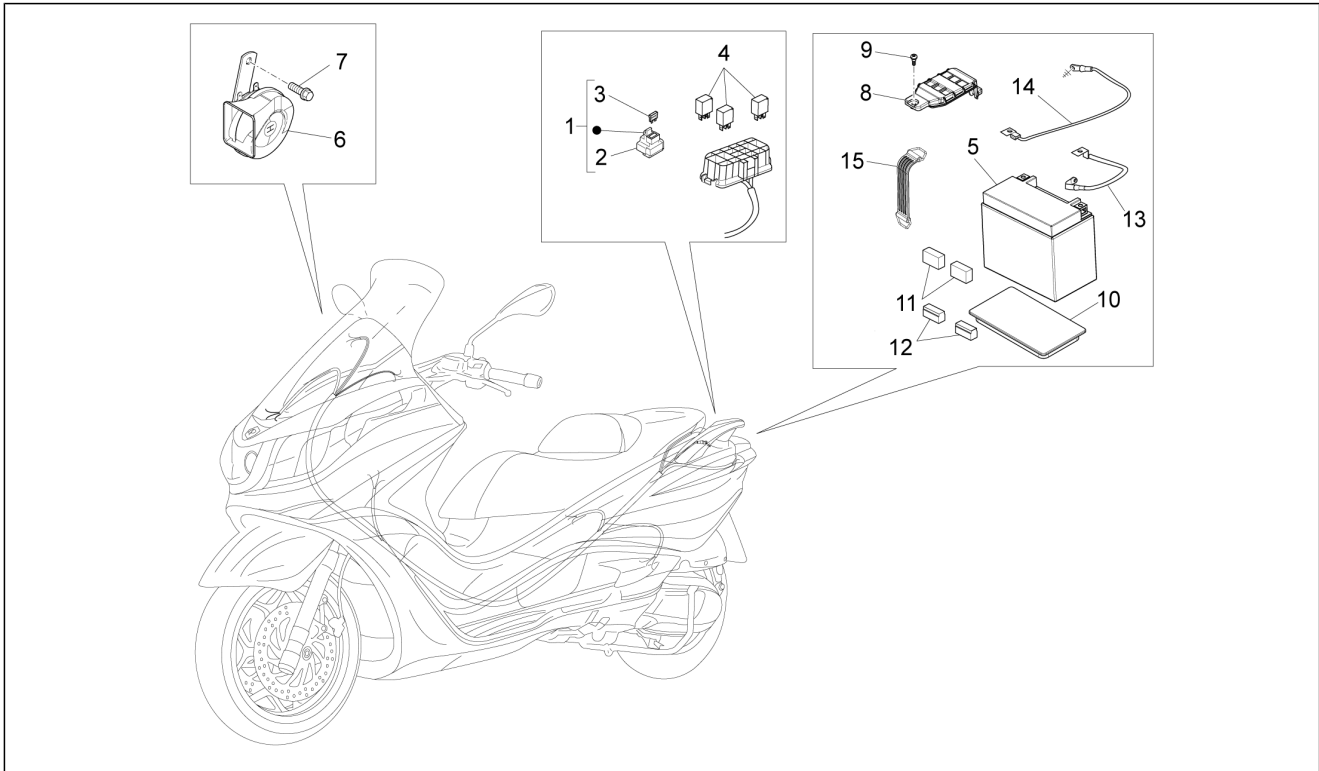
Pos.	Code	Description	Qty	Variants
1	642914	Headlamp, assy	1	
2	580734	Lamp 12V-35W H8	2	
3	580141	Lamp H1 12V-55W	1	
4	642915	Front right turn indicator	1	
5	584332	Lamp 12V-10W	1	
6	642916	Front left turn indicator	1	
7	584332	Lamp 12V-10W	1	
8	CM180701	Self tapping screw D4x16	2	
9	CM179302	Metric screw M6x22	6	
10	254485	Spring plate M6	6	

Group	Electrical system
Code	06.04
Description	Rear headlamps - Turn signal lamps
Service	1



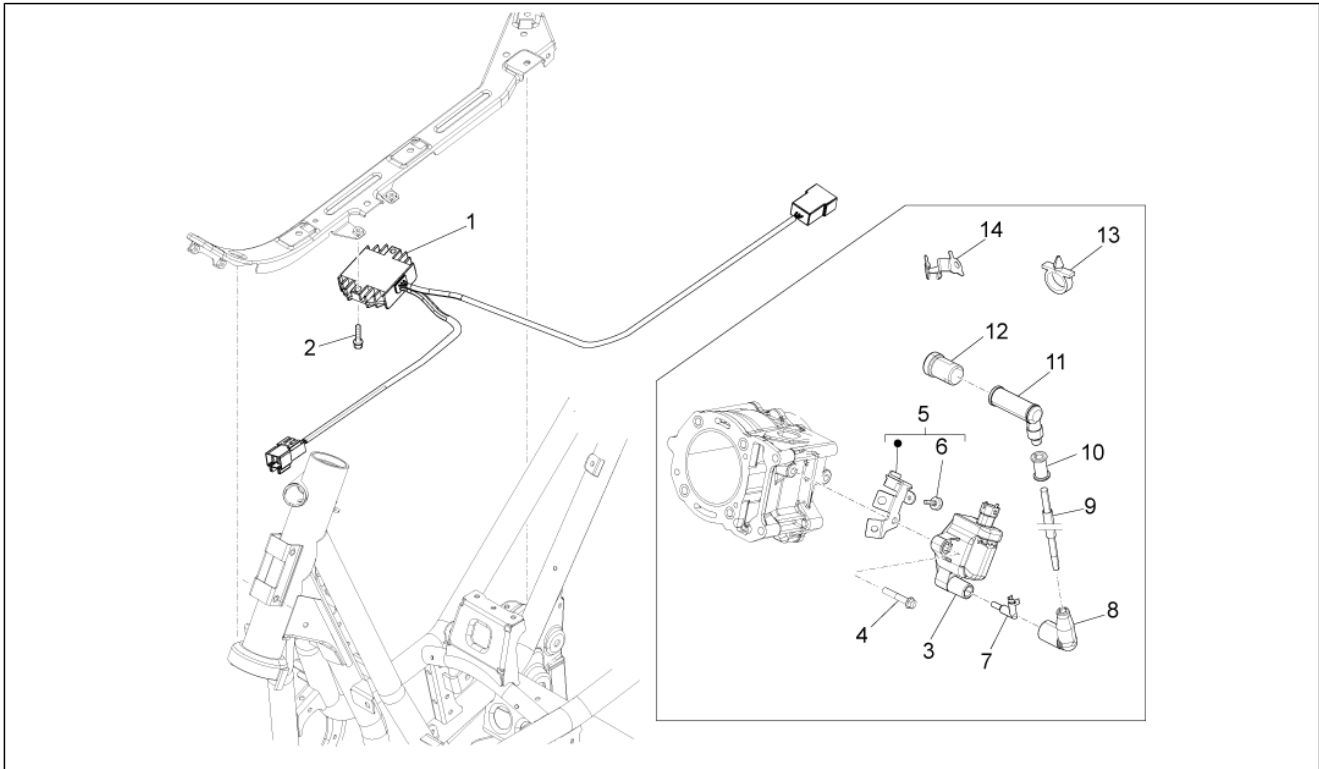
Pos.	Code	Description	Qty	Variants
1	642918	Lh rear light	1	
2	584332	Lamp 12V-10W	1	
3	642917	Rh rear light	1	
4	584332	Lamp 12V-10W	1	
5	CM179301	Screw M6x16	4	
6	254485	Spring plate M6	4	
7	CM178601	Self tapping screw D4.2x16	2	
8	CM017410	Spring plate	2	
9	642919	Rear licence plate light	1	
10	292022	Lamp 12V-5W	1	
11	015859	screw 3,5x16	2	
12	CM017403	Spring plate	2	

Group	Electrical system
Code	06.05
Description	Remote control switches - Battery - Horn
Service	1



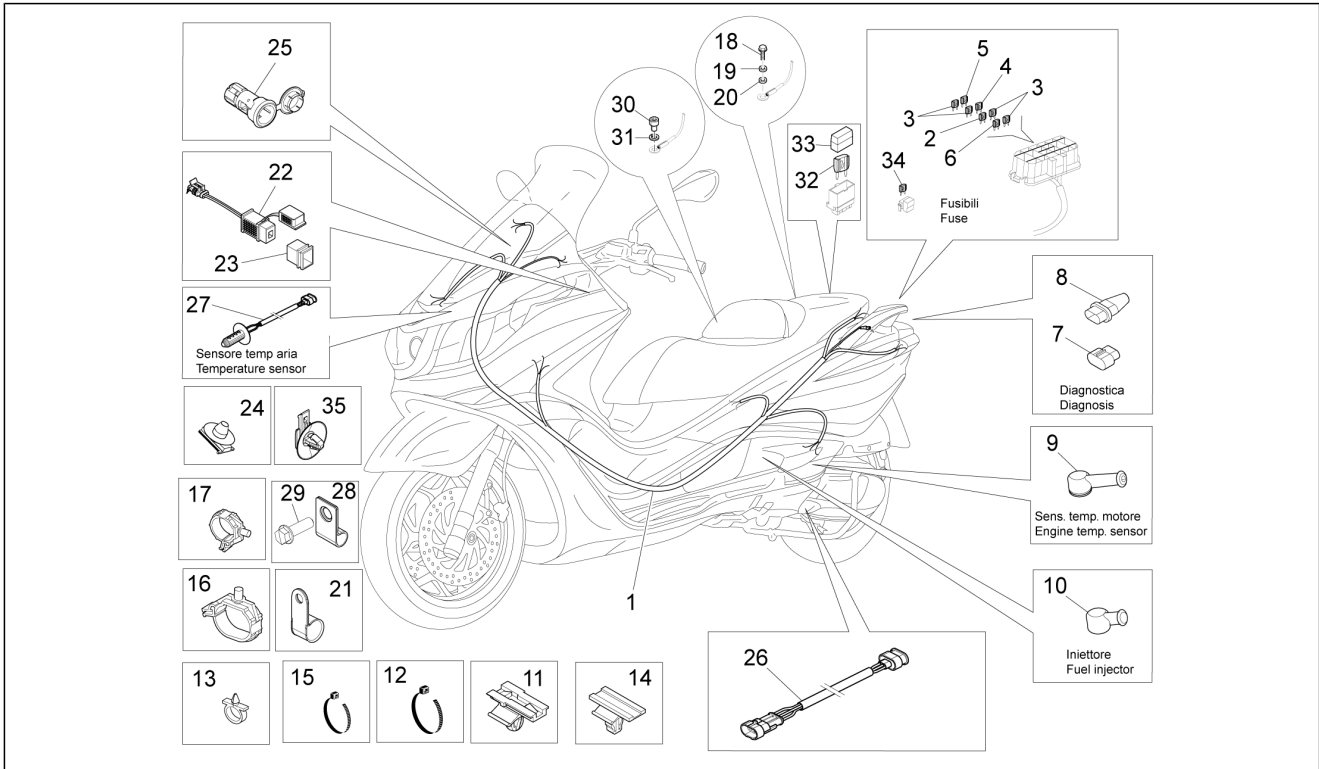
Pos.	Code	Description	Qty	Variants
1	582690	Starter relay	1	
2	582906	Flexible support	1	
3	581440	Fuse 30A	2	
4	642093	Microrelay with resistance 12V-30A	3	
4	643452	Microrelay with resistance 12V-30A/10A	3	
5	583158	Battery (Yuasa) 12V-10Ah	1	
6	643266	Warning horn 12V	1	
7	434541	Screw w/ flange M6x16	1	
8	674032	Battery bracket	1	
9	CM179301	Screw M6x16	1	
10	654139	Battery adapter	1	
11	575937	Stop buffer	2	
12	258737	Pad	2	
13	643275	Battery positive cable	1	
14	643380	Battery negative cable	1	
15	090854	Strip	1	

Group	Electrical system
Code	06.06
Description	Voltage Regulators - Electronic Control Units (ecu) - H.T. Coil
Service	1



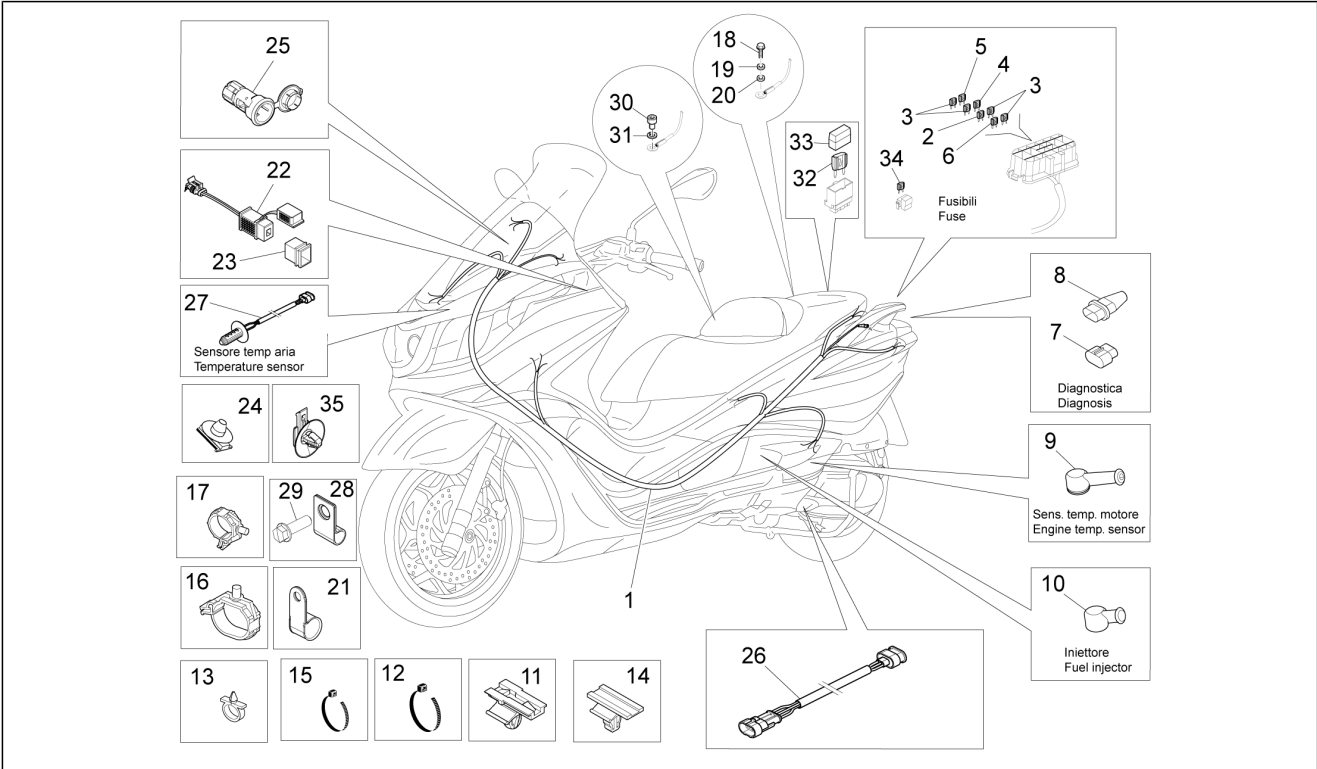
Pos.	Code	Description	Qty	Variants
1	641543	Voltage regulator	1	
2	289731	Screw w/ flange M6x30	2	
3	641901	HT coil	1	
4	B016774	Screw w/ flange M6x25	2	
5	B014673	Piping support bracket	1	
6	299071	Pad	1	
7	641725	HV terminal	1	
8	641040	Insulating cap	1	
9	080341	H.V. cable	1	
10	598083	Fairlead	1	
11	969348	Screened cap	1	
12	641643	Spark plug protection clamp	1	
13	140435	Spring	1	
14	B013022	Hose clamp	1	

Group	Electrical system
Code	06.08
Description	Main cable harness
Service	1



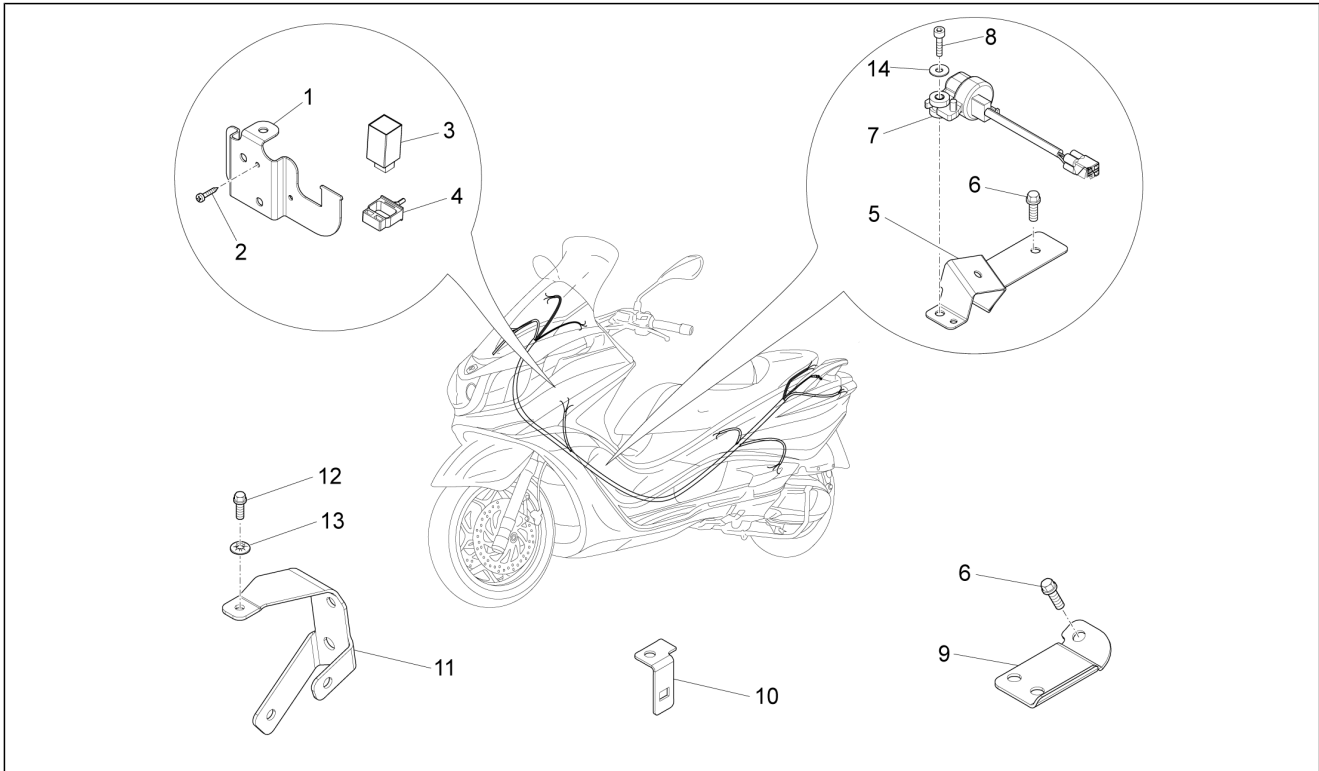
Pos.	Code	Description	Qty	Variants
1	643210	Frame harness	1	ABS - NO ABS:No ABS[No ABS]
1	643406	ABS frame cable assembly	1	ABS - NO ABS:ABS Version[ABS]
2	CM080906	Mini fuse 10A	1	
3	CM080905	Mini fuse 7,5A	3	
4	CM080904	Mini fuse 5A	1	
5	CM080902	Mini fuse 3A	1	
6	CM080907	Mini fuse 15A	1	
7	582928	Plug connect diagnos ECU	1	
8	292577	Cap	1	
9	581061	Cap	1	
10	583971	Cap	4	
11	584002	Maintenance	1	
12	257134	Lock-strap L=277	3	
13	641652	Spring	2	
14	639560	Spring for connector	1	
15	145298	Lock-strap L=180mm	17	
16	CM006904	Non return spring l=27	1	
16	CM006906	Non return spring L=33	1	
17	CM006907	Pipes/cables retainer spring L=16	1	
18	641204	Tri/lobed hexagonal self-tapping screw	2	
19	016406	Spring washer 6,4x11,8x1	2	
20	003056	Flat washer 6,4x12x1	2	
21	D9004461193	Hose clamp	1	
22	643277	Socket USB	1	
23	643310	Fairlead	1	
24	641769	Spring for connector	2	
25	294770	LV socket 12V	1	
26	643276	Speed sensor cable assembly	1	

Group	Electrical system
Code	06.08
Description	Main cable harness
Service	1



Pos.	Code	Description	Qty	Variants
27	581142	Ambient temperature sensor	1	
28	643413	Hose clamp	1	
29	AP8152277	Screw w/ flange M6x12	1	
30	581596	screw	1	
31	016405	Spring washer 8,5x5,1x1,5	1	
32	640394	Fuse 40A	1	ABS - NO ABS:
33	290404	Cover	1	ABS - NO ABS:
34	581440	Fuse 30A	1	
35	642552	Spring	1	

Group	Electrical system
Code	06.12
Description	Electrical system components
Service	1



Pos.	Code	Description	Qty	Variants
1	643256	Connector bracket	1	
2	018603	screw TBC 3,6x12	3	
3	640221	Turn indicator control device with hazard	1	
4	291017	Flexible support	1	
5	643264	Fall sensor bracket	1	
6	435634	Screw w/ flange	2	
7	680071	Fall sensor	1	
8	015856	screw M5x21	1	
9	643257	Wire fixing support	1	
10	643267	Bracket for connector	1	
11	643358	Cable harness bracket	1	
12	484123	Screw w/ flange	1	
13	012528	Washer	1	
14	060201	Flat washer 5,3x14x1	1	