



PIAGGIO & C.s.p.a.



PIAGGIO & C.s.p.a.

SPARE PARTS CATALOGUE



Typhoon 125 4T 2V E3 2010-2011

Chassis prefix: LBMM70100

Engine prefix: M701M

Typhoon 125

NSCD000CN2

Index

Finished products.....	4
Alphanumeric index.....	5
Engine.....	9
Table 01.02 - Engine, assembly.....	9
Table 01.05 - Crankcase.....	10
Table 01.06 - Crankshaft.....	12
Table 01.07 - Cylinder-piston-wrist pin unit.....	13
Table 01.10 - Head unit - Valve.....	14
Table 01.11 - Rocking levers support unit.....	15
Table 01.12 - Cylinder head cover.....	16
Table 01.13 - Driving pulley.....	17
Table 01.14 - Driven pulley.....	18
Table 01.15 - Crankcase cover - Crankcase cooling.....	19
Table 01.18 - Oil pump.....	20
Table 01.20 - Stater - Electric starter.....	22
Table 01.21 - Flywheel magneto.....	23
Table 01.23 - Flywheel magneto cover - Oil filter.....	24
Table 01.25 - Reduction unit.....	25
Table 01.35 - Rear brake - Brake jaw.....	26
Table 01.39 - Carburettor, assembly - Union pipe.....	27
Table 01.40 - Carburetor's components.....	28
Table 01.42 - Silencer.....	29
Table 01.45 - Air filter.....	30
Table 01.46 - Secondary air box.....	31
Frame - Plastic parts - Coachwork.....	32
Table 02.01 - Frame/bodywork.....	32
Table 02.25 - Stand/s.....	33
Table 02.26 - Front shield.....	34
Table 02.30 - Front glove-box - Knee-guard panel.....	36
Table 02.31 - Central cover - Footrests.....	37
Table 02.32 - Side cover - Spoiler.....	38
Table 02.33 - Wheel huosing - Mudguard.....	39
Table 02.34 - Helmet huosing - Undersaddle.....	40
Table 02.37 - Rear cover - Splash guard.....	41
Table 02.38 - Plates - Emblems.....	42
Table 02.39 - Saddle/seats.....	43
Table 02.45 - Driving mirror/s.....	44
Table 02.46 - Locks.....	45
Table 02.47 - Fuel tank.....	46
Handlebars/Steering.....	47
Table 03.01 - Handlebars coverages.....	47
Table 03.02 - Meter combination - Cruscotto.....	48
Table 03.06 - Handlebars - Master cil.....	49



Suspensions - Wheels.....	50
Table 04.01 - Swinging arm.....	50
Table 04.02 - Fork/steering tube - Steering bearing unit.....	51
Table 04.10 - Rear suspension - Shock absorber/s.....	52
Table 04.11 - Front wheel.....	53
Table 04.12 - Rear wheel.....	54
Braking system - Transmissions.....	55
Table 05.01 - Brakes pipes - Calipers.....	55
Table 05.03 - Transmissions.....	56
Electrical system.....	57
Table 06.01 - Selectors - Switches - Buttons.....	57
Table 06.03 - Front headlamps - Turn signal lamps.....	58
Table 06.04 - Rear headlamps - Turn signal lamps.....	59
Table 06.05 - Remote control switches - Battery - Horn.....	60
Table 06.06 - Voltage Regulators - Electronic Control Units (ecu) - H.T. Coil.....	61
Table 06.08 - Main cable harness.....	62



Finished products

Code	Validity
NSCD000CN2	
NSCD90ACN2	Vehicle colour: Shiny Black[94]
NSCDDNACN2	Vehicle colour: Neptune blue[253/A]
NSCDEZACN2	Vehicle colour: Technical grey[742/B]
NSCDGZACN2	Vehicle colour: Yellow metallic[952/A]
NSCDXBACN2	Vehicle colour: Cult white[553]



Code	No. table	Pos.	Code	No. table	Pos.	Code	No. table	Pos.
000267	01.21	4	257617	02.30	11	294131	06.03	3
000674	01.05	14	258146	01.15	4	294341	06.01	1
002440	02.25	6	258146	01.23	6	295409	04.01	10
002440	04.01	15	258146	01.45	5	296743	02.39	4
002440	04.10	5	258160	02.47	7	297498	01.46	13
003056	01.45	12	259151	01.21	8	297498	02.26	9
003058	02.37	13	259349	02.30	13	297498	02.30	7
0037514	04.02	16	259349	02.30	5	298581	02.46	4
006416	04.01	12	259349	02.31	9	298594	02.46	6
006635	01.15	10	259349	02.34	6	298604	02.01	2
006652	01.25	5	259349	06.04	3	298731	02.46	3
006975	01.21	9	259372	02.34	3	298838	02.46	7
008370	01.13	7	259577	01.12	17	298903	02.46	5
008457	03.01	2	259830	06.04	11	327187	04.11	2
00H01004131	06.03	2	259832	02.47	6	411295	01.05	8
0111094	04.02	17	265249	03.06	13	411311	01.05	5
012533	01.45	11	266040	05.03	6	414837	01.18	27
012543	03.06	4	266724	01.35	2	414838	01.35	7
012789	04.12	8	266725	01.35	3	430264	01.15	7
015330	03.06	5	267115	03.01	4	430585	01.14	9
015760	01.46	2	267115	03.01	6	431065	01.05	18
016404	06.04	17	267948	03.06	14	431089	01.14	8
016406	02.47	3	268158	04.10	3	4310935	01.14	10
016406	06.06	5	268304	02.47	4	431860	01.05	10
018575	01.05	26	268596	02.31	4	431860	01.15	11
018575	01.21	6	268596	02.39	5	432142	01.05	28
018591	06.04	16	268596	03.02	4	433232	01.14	14
018623	01.18	13	269136	02.39	9	434345	01.18	12
018639	01.11	5	269755	01.25	15	434541	01.18	30
018639	01.12	2	270310	05.03	4	434541	06.05	6
018639	01.20	2	270723	02.26	4	434716	01.10	11
018640	01.45	10	270723	02.30	2	4348555	01.13	2
020008	04.10	7	270723	02.31	6	435571	01.07	10
020104	06.04	18	270723	02.33	7	435629	01.10	10
030115	02.25	3	270723	06.03	4	436438	01.10	5
031092	02.47	2	270793	01.12	16	436695	01.18	6
060201	01.21	10	270793	01.15	5	436783	01.13	11
123394	03.06	15	270793	02.31	2	436783	01.21	7
127927	05.01	7	270991	04.11	8	436919	06.06	7
129953	06.04	2	270991	04.12	3	436947	01.42	10
145298	05.03	5	271147	04.11	10	478115	01.05	12
164634	03.02	3	271740	04.11	7	478984	01.25	4
178790	03.06	3	271807	04.01	14	478985	01.15	9
179640	05.03	3	272176	04.01	11	479132	01.45	6
184142	02.26	2	272750	04.01	8	479986	01.18	20
184142	02.26	5	272836	02.33	2	482291	05.01	9
184142	02.32	3	272836	06.06	4	482335	01.07	6
184142	02.32	6	272921	01.25	6	483226	01.14	5
184142	02.34	4	273099	04.12	5	483706	01.10	8
184142	06.04	4	273460	04.01	9	483707	01.10	7
194423	04.12	7	273754	02.25	4	483711	01.10	6
196868	02.47	10	274246	01.14	16	483767	01.05	21
197983	04.12	9	277916	01.05	29	483775	01.18	9
231027	02.47	5	277916	01.07	9	483776	01.23	11
231590	01.12	15	277916	01.18	21	483785	01.05	2
239388	01.05	16	285536	01.23	15	483841	01.23	12
239388	01.15	8	285846	01.10	2	483889	01.13	12
239397	01.10	9	287913	01.18	4	483914	01.10	3
252420	02.30	6	288474	01.23	13	483915	01.10	4
252945	06.08	5	289731	01.15	13	483918	01.18	22
253937	02.46	9	289731	01.18	16	484034	01.05	9
254485	01.23	3	289731	05.01	8	484123	01.11	13
254485	01.45	13	290404	06.08	3	484819	01.11	3
254485	02.31	10	290860	06.08	6	484993	01.05	7
254485	02.33	3	292022	06.04	14	485047	01.05	19
254485	06.05	7	293556	02.37	9	485603	01.10	15
257134	05.03	7	294076	06.05	3	485655	01.05	23



Code	No. table	Pos.	Code	No. table	Pos.	Code	No. table	Pos.
485703	01.25	16	584332	06.03	6	65746700EZ	02.32	1
485779	01.07	3	584332	06.03	9	65746700GZ	02.32	1
485868	01.18	28	584332	06.04	6	65746700XB	02.32	1
485912	01.05	13	584332	06.04	9	657468	02.26	6
485912	01.25	3	584426	06.01	5	65746900XH1	02.37	2
485913	01.05	15	584690	01.21	3	657470	03.01	1
485914	01.07	4	584695	01.21	2	6574700090	03.01	1
486075	01.23	17	584810	06.05	4	657471	02.39	1
486081	01.05	4	584877	02.37	11	657472	02.37	1
486082	01.18	3	584884	02.37	10	6574720090	02.37	1
486140	01.21	2	597016	04.01	16	65747300XH1	02.37	3
486324	01.14	17	597374	04.01	5	65747500XH1	02.33	5
486336	01.11	4	597499	04.01	1	657476	02.38	1
486339	01.11	10	598918	05.03	2	657476	02.38	1
486362	01.07	5	598919	05.01	3	657507	02.47	1
486972	01.11	6	600482	04.02	12	664044	02.46	2
486972	01.23	7	600486	04.02	10	664045	04.02	18
487115	01.25	12	600490	04.02	5	664170	06.03	11
487211	01.25	13	600495	04.02	10	664219	04.01	7
487665	01.42	5	600496	04.02	13	664303	02.32	9
487824	01.18	17	601205	04.12	4	664305	02.32	10
487832	01.11	7	601401	04.02	11	664306	02.26	12
487936	01.14	12	601645	02.39	12	664307	02.26	10
487937	01.18	14	624522	02.47	14	664308	02.26	13
487989	01.12	5	638852	01.12	19	664309	02.26	11
56127R	04.01	2	641541	01.23	16	664310	02.37	4
56294R	01.35	1	642014	06.08	1	664359	06.04	7
563728	04.12	6	642018	02.37	8	664360	06.03	7
563977	04.01	13	642019	03.02	5	664361	06.04	10
5641365	01.35	4	642021	06.03	1	664362	06.03	10
564215	01.35	5	642022	06.04	1	664379	06.03	12
56434R	04.11	11	642023	06.04	5	664434	02.37	5
564475	04.11	4	642024	06.04	8	664454	02.26	14
564527	04.11	3	642025	06.03	5	664454	02.32	11
564606	02.37	12	642026	06.03	8	664456	02.38	3
564681	03.06	12	642129	03.02	1	664457	06.04	3
573052	06.06	8	642318	06.05	1	666002	04.11	1
573512	02.46	1	642480	06.08	1	666005	04.11	5
575249	02.30	9	646832	03.06	17	666006	04.12	2
575249	02.33	4	649602	03.06	7	666007	04.12	1
575249	02.33	8	649603	03.06	8	666008	05.01	1
575249	02.34	2	649952	04.02	4	66609100XH1	02.33	1
575321	02.47	9	650075	04.02	14	666261	04.02	2
575819	02.30	12	650693	04.02	15	666262	04.02	3
577492	02.39	2	650983	05.01	2	666313	02.25	1
577557	02.47	11	651502	05.01	6	666719	04.11	5
580561	06.08	2	652697	02.39	8	666720	04.12	2
58056R	06.01	2	655554	03.06	2	666761	04.11	9
58057R	06.01	4	657461	02.26	1	666821	04.10	2
58058R	06.01	3	6574610090	02.26	1	666822	04.10	1
58059R	01.21	1	65746100DN	02.26	1	666823	04.10	4
580621	02.46	8	65746100EZ	02.26	1	666879	04.02	1
580653	06.08	4	65746100GZ	02.26	1	666929	05.03	8
58083R	06.06	6	65746100XB	02.26	1	666930	05.03	1
58090R	06.06	1	657462	02.26	8	67207000XH1	02.33	6
58093R	06.05	5	65746200XH1	02.26	8	67207100XH1	02.26	3
580953	06.01	6	657463	02.26	7	672173	06.06	3
581142	06.06	10	65746300XH1	02.26	7	672185	02.37	16
58115R	06.05	1	657466	02.32	4	672186	02.37	15
581248	02.25	8	6574660090	02.32	4	67219000XH1	02.34	1
581249	02.25	7	65746600DN	02.32	4	672327	02.39	6
581560	02.25	2	65746600EZ	02.32	4	672559	02.38	1
582042	06.05	2	65746600GZ	02.32	4	672560	02.38	1
582058	02.37	7	65746600XB	02.32	4	672562	02.38	2
582298	02.25	5	657467	02.32	1	672750	02.01	1
582428	02.37	6	6574670090	02.32	1	674424	03.06	3
583575	06.01	6	65746700DN	02.32	1	674425	04.12	5





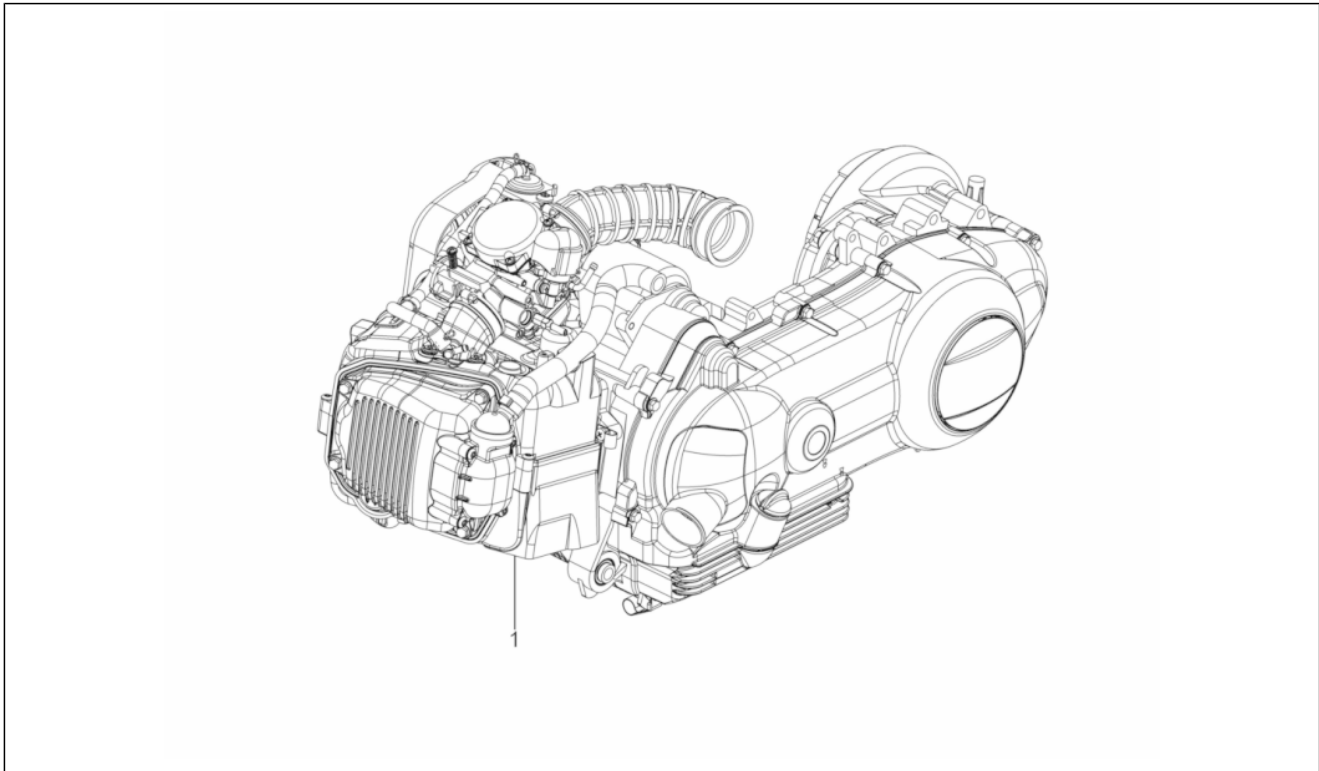
Code	No. table	Pos.	Code	No. table	Pos.	Code	No. table	Pos.
675125	02.38	1	82996R	01.46	1	848766	01.42	3
709012	01.42	9	830056	01.45	9	849465	01.39	2
709047	05.01	4	830061	01.05	20	85270000XH1	02.34	7
709532	01.39	5	830128	01.18	18	85299000XH1	02.34	5
709532	01.39	6	830446	01.11	8	853047	03.06	1
709532	01.45	15	830447	01.11	9	853050	03.01	5
709674	04.11	12	8304535	01.11	1	8530500090	03.01	5
82518R	01.14	4	830580	01.14	2	853058	04.11	6
825363	01.12	20	831259	01.46	4	85306100XH1	02.31	1
825364	01.12	4	831363	01.13	9	85643100XH1	02.31	5
825368	01.12	14	8319740001	01.07	2	85643300XH1	02.30	1
82538R	01.18	11	8319740002	01.07	2	856437	02.30	10
825430	01.21	11	8319740003	01.07	2	856440	03.02	2
825481	01.23	18	8319740004	01.07	2	856446	04.01	17
825620	01.18	10	831975	01.07	1	85645000XH1	02.31	7
825726	01.14	11	832130	01.05	24	85645100XH1	02.31	8
825952	01.18	32	832703	01.23	2	85645200XH1	02.32	7
82611R	01.20	1	832715	01.13	6	85645300XH1	02.32	8
82612R	01.20	3	832943	01.46	7	856454	02.32	12
826165	01.23	14	833308	01.11	12	8564540090	02.32	12
826275	01.12	11	833722	01.18	5	856459	02.37	14
826275	01.12	13	833802	01.23	4	856462	02.39	3
82635R	01.23	10	833821	01.12	12	856463	02.39	7
82643R	01.18	25	834187	01.42	8	856465	02.39	11
82649R	01.18	7	834473	01.23	1	856466	02.39	10
82650R	01.18	29	834476	01.46	12	85647100XH1	02.30	3
82681R	01.10	16	840510	01.18	26	856472	02.30	4
827085	01.05	25	841213	01.13	8	856473	02.30	8
8271120001	01.07	2	8412985001	01.06	1	85647400XH1	02.30	14
8271120002	01.07	2	8412985002	01.06	1	858180	06.04	13
8271120003	01.07	2	8417485	01.25	8	85824300XH1	02.31	3
8271120004	01.07	2	842093	01.15	3	858306	06.04	12
827113	01.07	1	842204	01.13	3	858318	04.02	13
827526	01.42	4	842360	01.10	12	858319	04.02	6
82753R	01.14	3	842507	01.10	13	858320	04.02	9
82777R	01.10	1	842514	01.40	1	858321	04.02	8
82782R	01.18	23	842517	01.40	3	858322	04.02	7
827831	01.45	7	842521	01.40	16	858334	06.04	15
82783R	01.18	8	842522	01.40	13	858542	05.03	9
828146	01.07	8	842523	01.40	14	858543	05.01	5
828147	01.07	8	842530	01.40	9	860535	03.02	6
828148	01.07	8	842737	01.12	9	860536	02.32	2
828152	01.39	3	843194	01.45	3	860536	02.32	5
82817R	01.11	2	843195	01.45	4	860902	04.01	4
828308	01.18	24	843364	01.18	19	871167	01.39	4
8285655	01.25	10	843443	01.12	10	871458	01.15	12
828583	01.23	8	843757	01.23	5	872877	01.14	11
828662	01.12	18	843761	01.18	15	872997	01.42	7
828662	01.21	5	843849	01.45	2	873682	01.15	6
828662	01.23	9	8440494	01.14	15	8738745	01.25	9
828708	01.12	19	844116	01.46	6	873980	01.25	14
828717	01.14	6	844483	01.42	6	874106	01.15	2
82877R	01.18	1	844483	04.10	6	876403	01.13	10
82878R	01.05	11	844582	01.05	6	876657	01.05	27
828831	01.40	11	844719	01.10	14	877140	01.12	1
828843	01.40	8	844964	01.15	15	877287	01.05	8
828844	01.40	6	845212	01.05	30	879002	01.14	7
828862	01.35	6	845607	01.13	5	879057	01.13	8
82898R	01.05	3	845635	01.46	10	880451	01.42	2
82899R	01.25	2	845753	01.12	7	880470	01.42	1
829001	01.45	14	845861	01.05	17	890103	02.34	8
829008	01.12	6	8459305	01.11	11	895839	02.38	4
82948R	01.18	1	8460245	01.25	1	963486	01.07	7
829593	01.18	2	846766	01.46	8	969348	06.06	9
82961R	01.39	7	847778	01.23	19	B013216	01.45	1
829661	01.05	22	847928	01.18	31	CM001904	01.12	8
829817	01.12	3	847930	01.25	7	CM001904	01.46	3





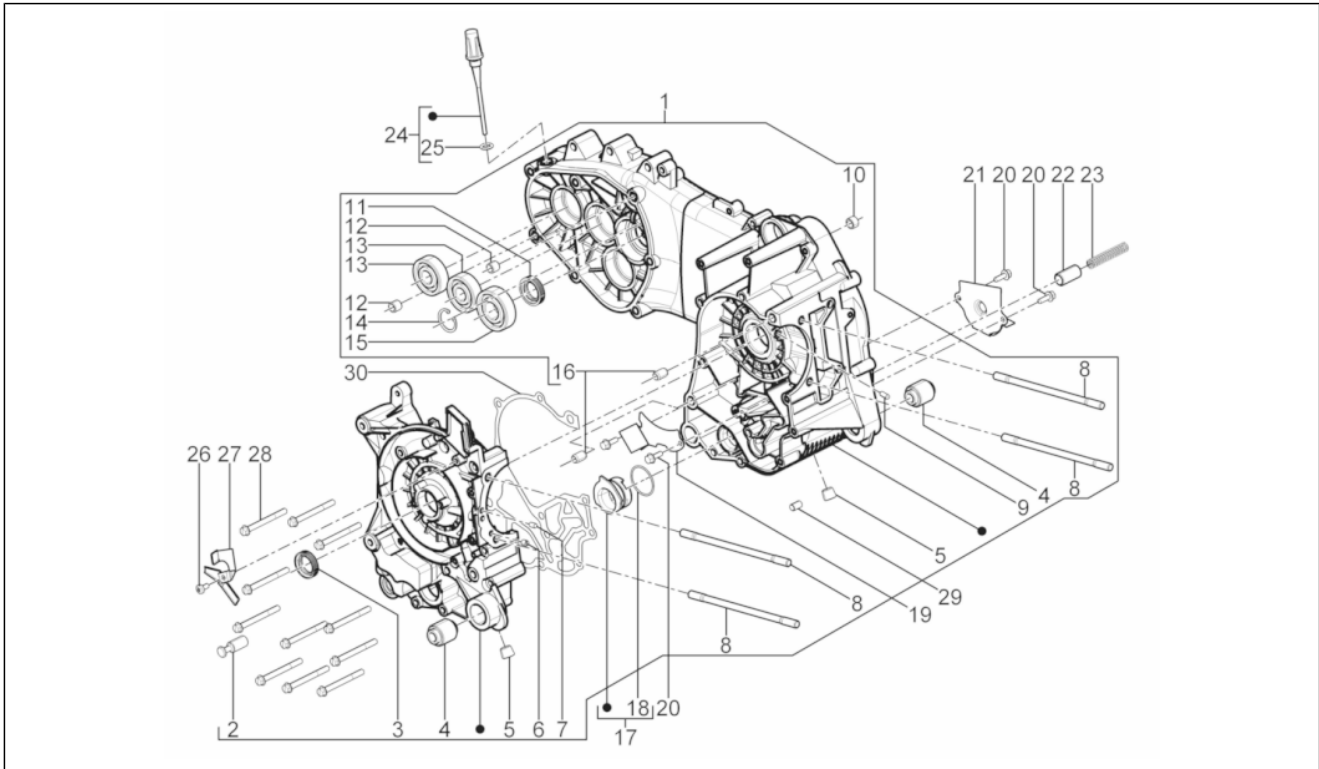
Code	No. table	Pos.
CM001904	01.46	5
CM001912	02.47	13
CM002902	01.39	8
CM002903	01.39	9
CM002904	01.46	9
CM002910	01.45	8
CM002917	01.46	11
CM006103	02.47	16
CM017409	03.01	3
CM025711	02.47	8
CM027914	02.47	12
CM027916	02.47	15
CM063805	03.06	11
CM064303	03.06	16
CM064305	03.06	16
CM067801	04.01	6
CM067803	04.01	3
CM078307	06.06	2
CM079734	03.06	6
CM084203	03.06	10
CM084204	03.06	9
CM1038035	01.13	4
CM1269A4	01.02	1
CM129914	01.40	10
CM140105	01.40	15
CM140210	01.40	4
CM140302	01.40	5
CM140820	01.15	1
CM140903	01.40	2
CM142905	01.40	7
CM144402	01.13	1
CM1485105001	01.05	1
CM1485105002	01.05	1
CM149404	01.40	17
CM155101	01.15	14
CM156006	01.39	1
CM156709	01.40	14
CM1612015	01.14	13
CM162202	01.25	11
CM162401	01.14	1
CM180601	02.45	1
CM180602	02.45	2

Group	Engine
Code	01.02
Description	Engine, assembly
Service	1



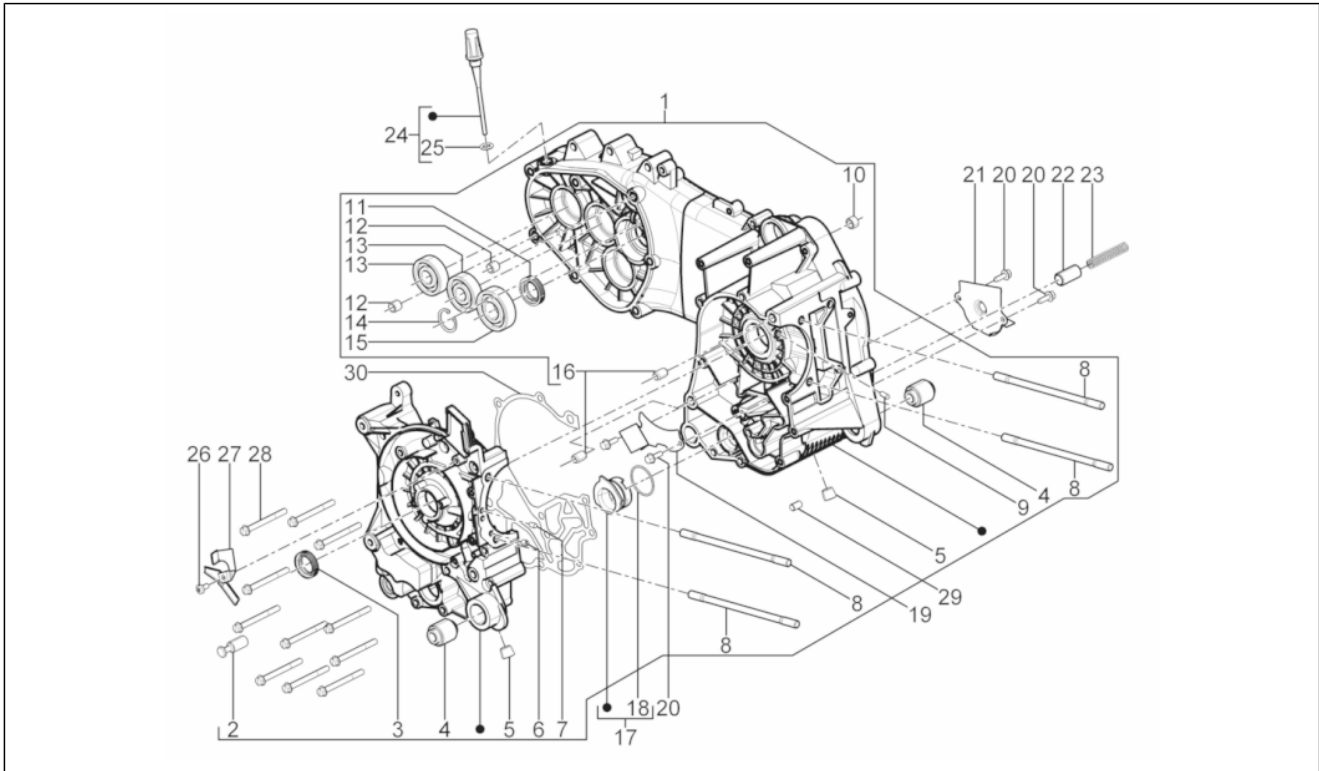
Pos.	Code	Description	Qty	Variants
1	CM1269A4	125 4T/2V E3 Complete engine	1	

Group	Engine
Code	01.05
Description	Crankcase
Service	1



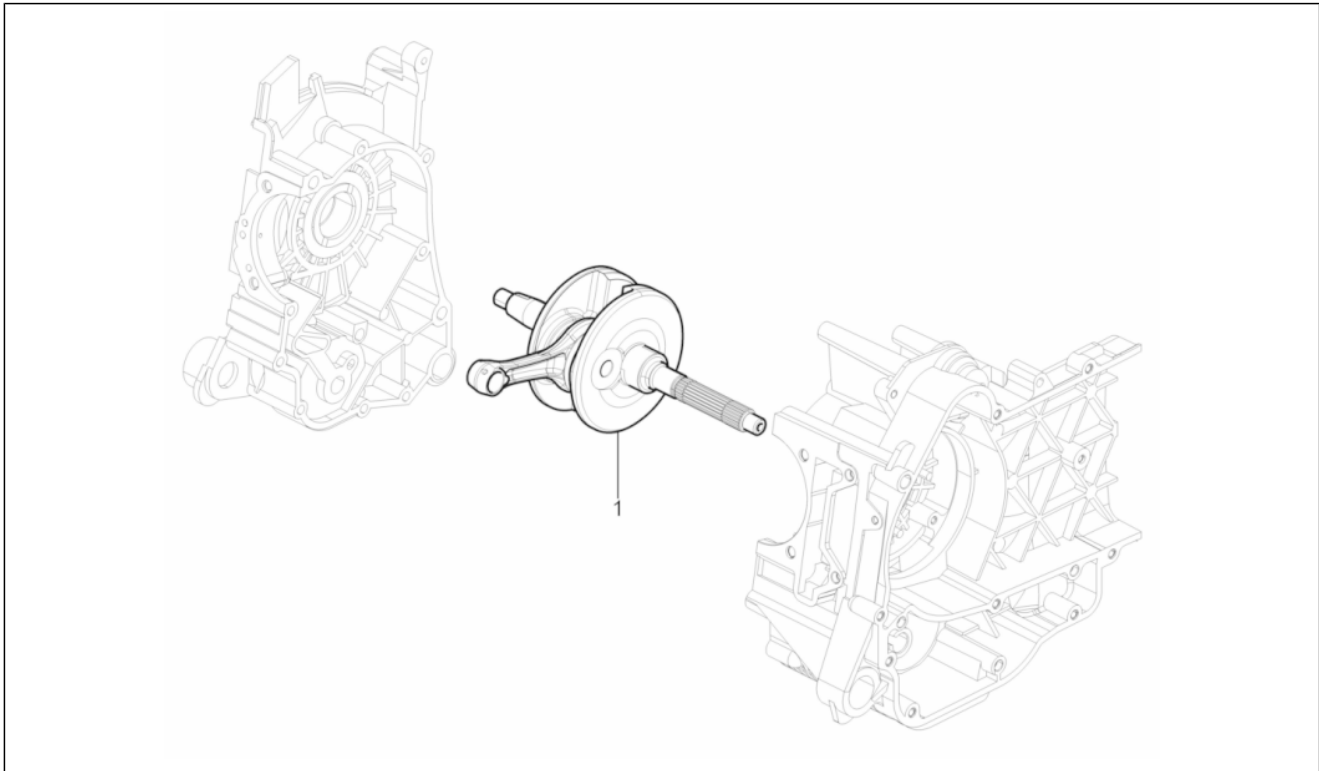
Pos.	Code	Description	Qty	Variants
1	CM1485105001	Complet crankcase engine Cat.1	1	
1	CM1485105002	Complet crankcase engine Cat.2	1	
2	483785	Springs fixing pin	1	
3	82898R	Gasket ring 20-30-7	1	
4	486081	Silent-block	2	
5	411311	Plug M12x1,5	2	
6	844582	Nozzle D 1.1	1	
7	484993	Locating dowel	1	
8	411295	Stud bolt	4	
8	877287	Stud bolt M8x165	4	
9	484034	Nozzle	1	
10	431860	Bush Ø8xØ12x8	1	
11	82878R	Gasket ring 20-32-7	1	
12	478115	Locating dowel Ø11xØ8,1x10	2	
13	485912	Radial ball bearing 15x42x13	2	
14	000674	Circlip 25x26.9x1.2	1	
15	485913	Radial bearing 20x47x14	1	
16	239388	Pin 6,5x9,5x15	2	
17	845861	Filter door insert	1	
18	431065	Gasket	1	
19	485047	Upper oil bulkhead	1	
20	830061	Screw w/ flange M5x16	4	
21	483767	Lower oil bulkhead	1	
22	829661	Oil pressure valve	1	
23	485655	Spring	1	
24	832130	Complete oil level dipstick	1	
25	827085	Gasket ring 14,43x9,19x2,62	1	
26	018575	Screw M5x10	1	

Group	Engine
Code	01.05
Description	Crankcase
Service	1



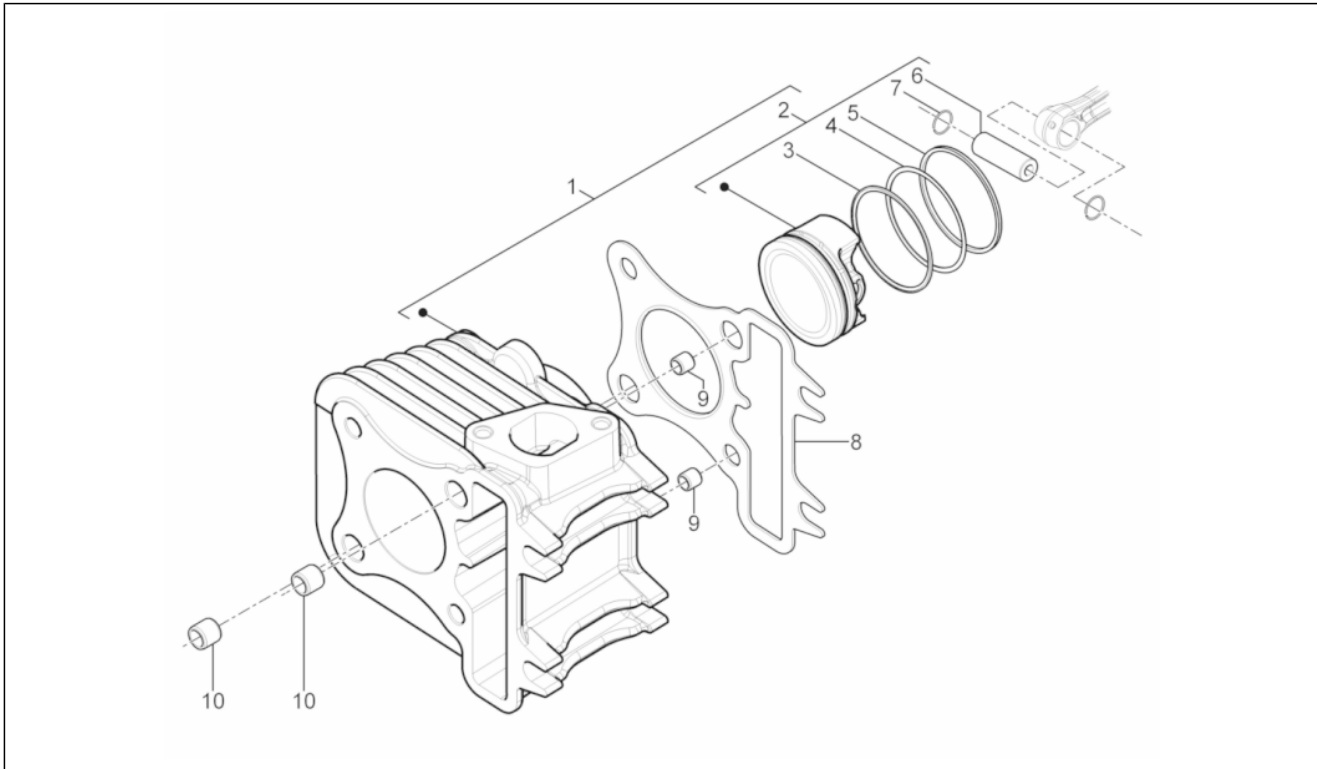
Pos.	Code	Description	Qty	Variants
27	876657	Plate	1	
28	432142	screw M6x60	11	
29	277916	Locating dowel	1	
30	845212	Half crankcase gasket	1	

Group	Engine
Code	01.06
Description	Crankshaft
Service	1



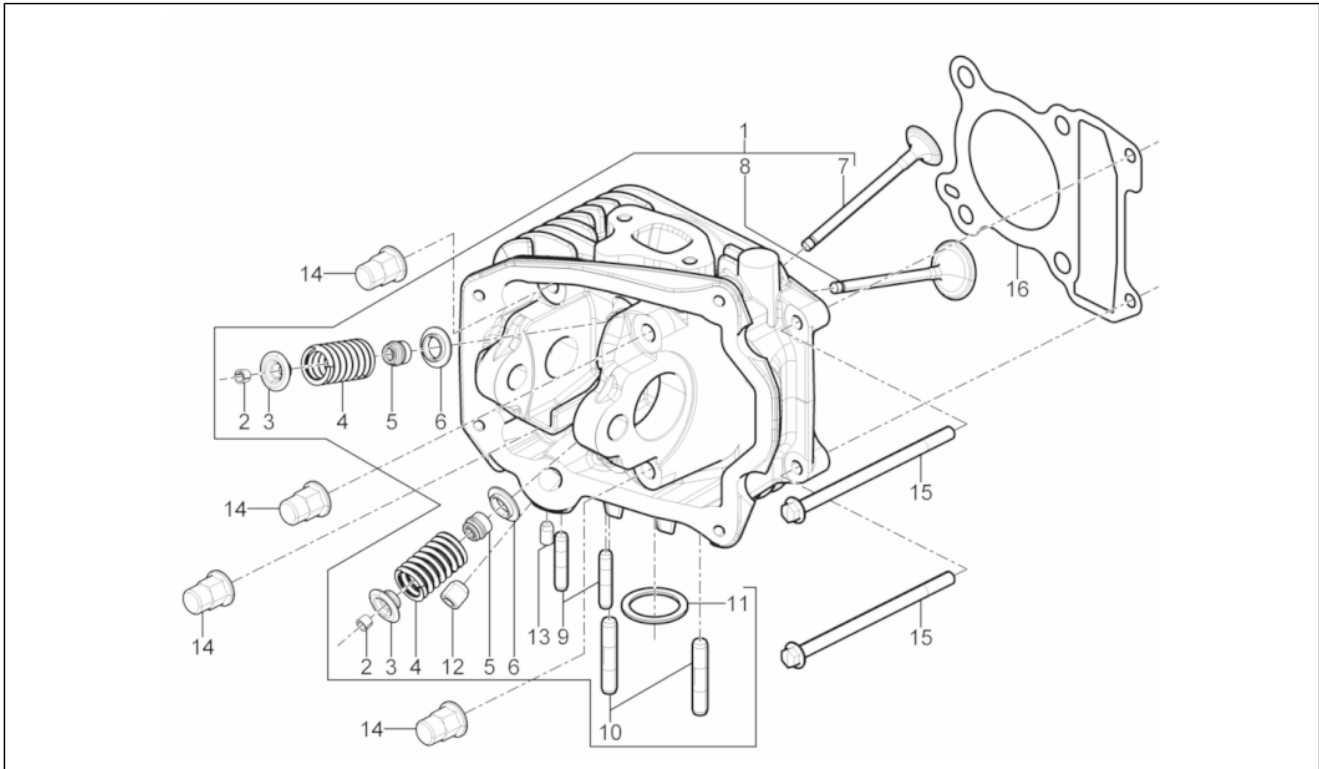
Pos.	Code	Description	Qty	Variants
1	8412985001	Crankshaft assembly Cat.1	1	
1	8412985002	Crankshaft assembly Cat.2	1	

Group	Engine
Code	01.07
Description	Cylinder-piston-wrist pin unit
Service	1



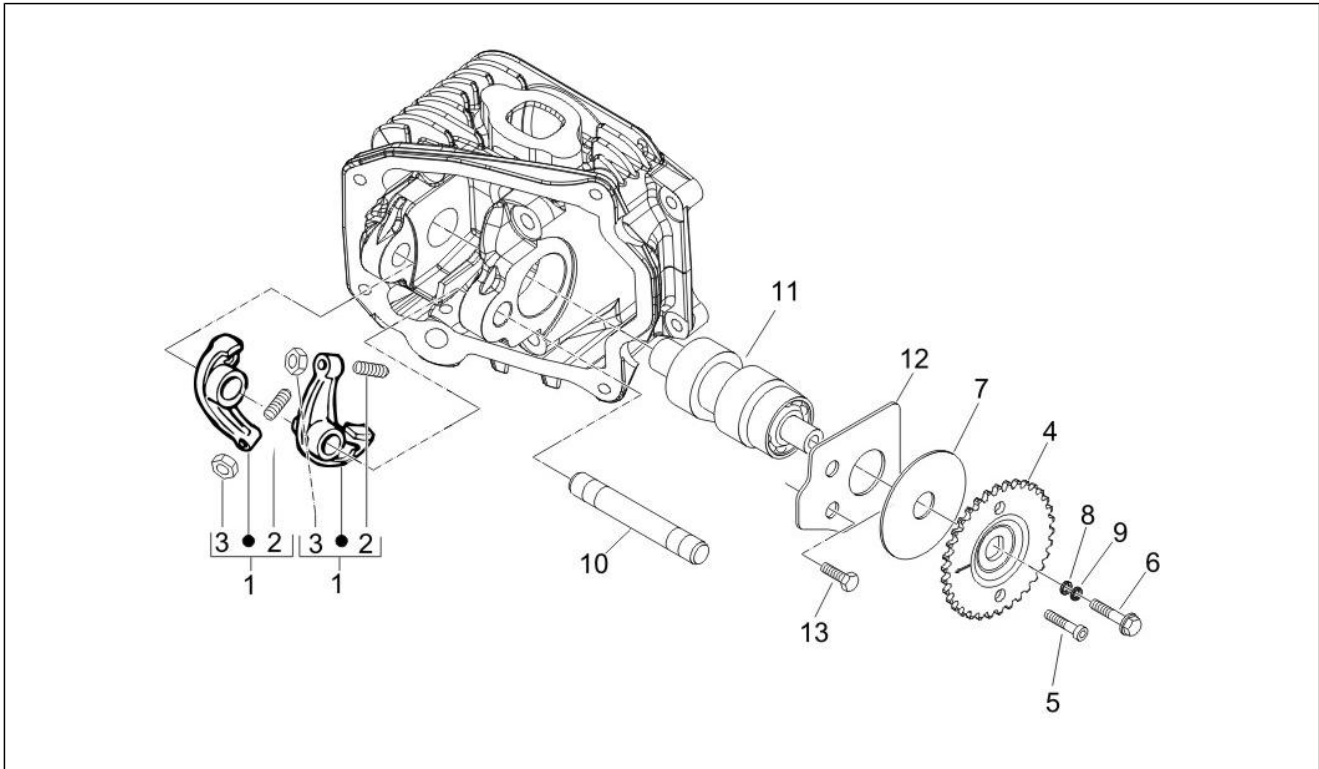
Pos.	Code	Description	Qty	Variants
1	827113	Cylinder assembly-piston-pin (Aluminium)	1	
1	831975	Cylinder assembly-piston-pin (Cast-iron)	1	
2	8271120001	Complete piston (Aluminium) Cat.A	1	
2	8271120002	Complete piston (Aluminium) Cat.B	1	
2	8271120003	Complete piston (Aluminium) Cat.C	1	
2	8271120004	Complete piston (Aluminium) Cat.D	1	
2	8319740001	Complete piston (Cast-iron) Cat.A	1	
2	8319740002	Complete piston (Cast-iron) Cat.B	1	
2	8319740003	Complete piston (Cast-iron) Cat.C	1	
2	8319740004	Complete piston (Cast-iron) Cat.D	1	
3	485779	Compression ring d.57x1	1	
4	485914	Oil scraper ring d.57x2,5	1	
5	486362	Oil scraper ring d.57x1	1	
6	482335	Piston pin	1	
7	963486	Snap ring	2	
8	828146	Cylinder base gasket 0,4 mm	1	
8	828147	Cylinder base gasket 0,6 mm	1	
8	828148	Cylinder base gasket 0,8 mm	1	
9	277916	Locating dowel	2	
10	435571	Locating dowel	2	

Group	Engine
Code	01.10
Description	Head unit - Valve
Service	1



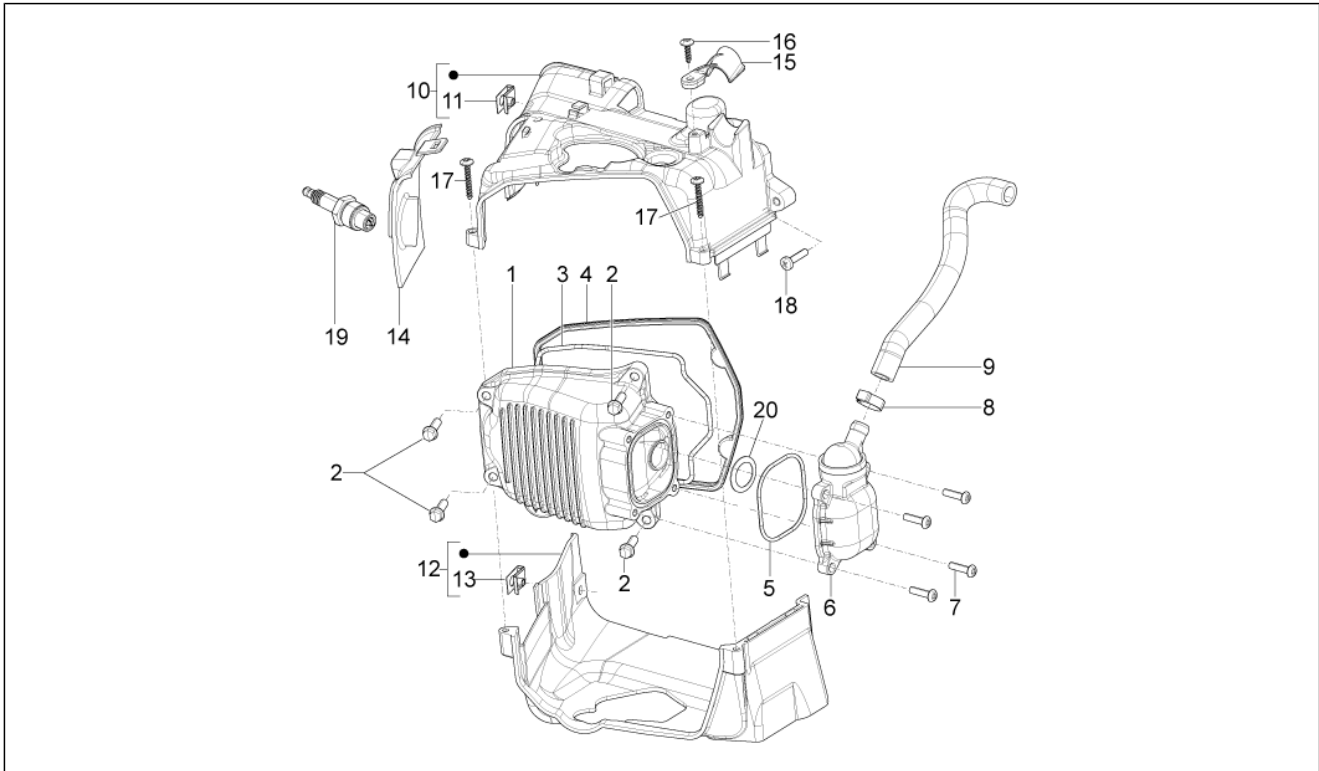
Pos.	Code	Description	Qty	Variants
1	82777R	Cylinder head assembly	1	
2	285846	Valve half-cone	4	
3	483914	Upper cap	2	
4	483915	Valve spring	2	
5	436438	Valve gasket ring	2	
6	483711	Lower cap	2	
7	483707	Exhaust valve	1	
8	483706	Intake valve	1	
9	239397	Stud bolt M6	2	
10	435629	Stud bolt M7	2	
11	434716	Big end-silencer gasket	1	
12	842360	Plug M6x10	1	
13	842507	Plug M10x1,25	1	
14	844719	Cap nut	4	
15	485603	Screw w/ flange	2	
16	82681R	Cylinder head gasket	1	

Group	Engine
Code	01.11
Description	Rocking levers support unit
Service	1



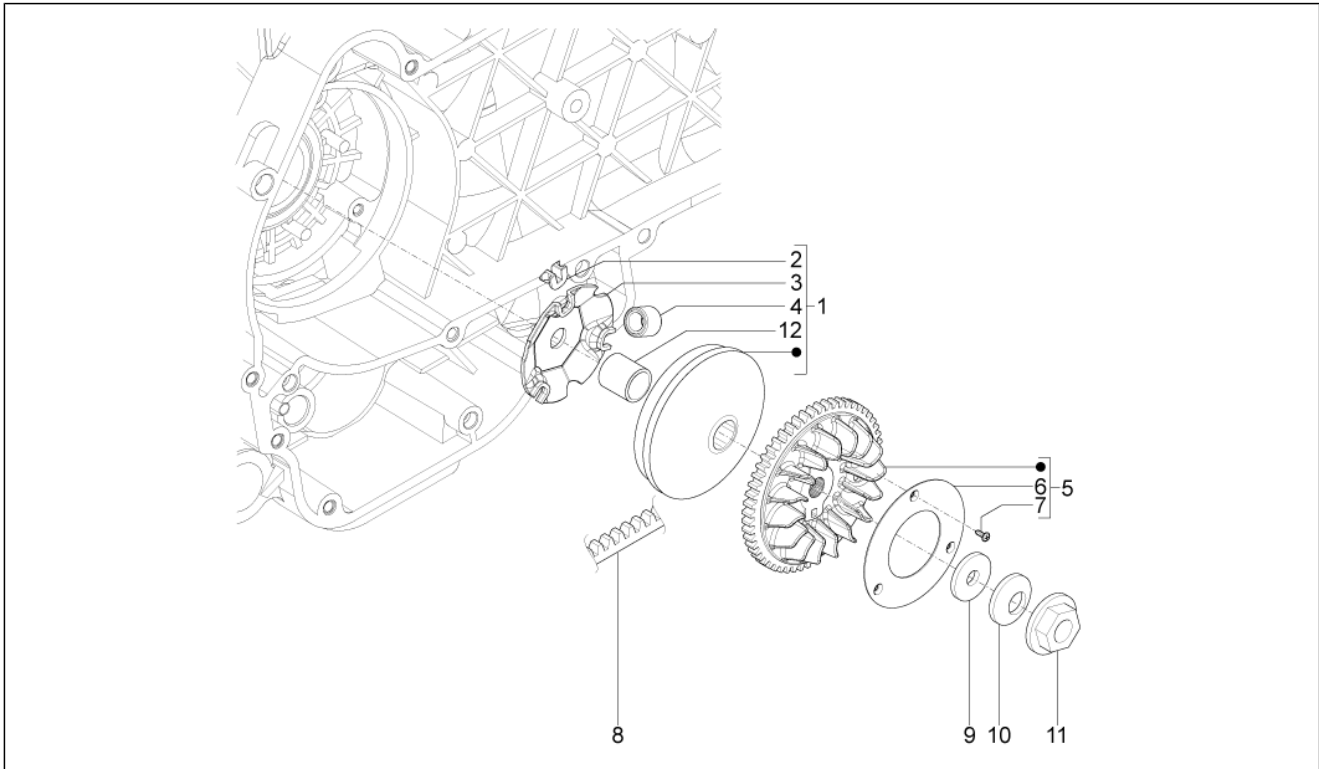
Pos.	Code	Description	Qty	Variants
1	8304535	Rocker arm cpl.	2	
2	82817R	Adjuster screw	1	
3	484819	Nut	1	
4	486336	Timing system gear	1	
5	018639	Hex screw M6x20	1	
6	486972	Hex socket screw M5x25	1	
7	487832	Washer	1	
8	830446	Plain washer	1	
9	830447	Plain washer	1	
10	486339	Rocker arms axis	1	
11	8459305	Camshaft	1	
12	833308	Camshaft plate	1	
13	484123	Screw w/ flange	2	

Group	Engine
Code	01.12
Description	Cylinder head cover
Service	1



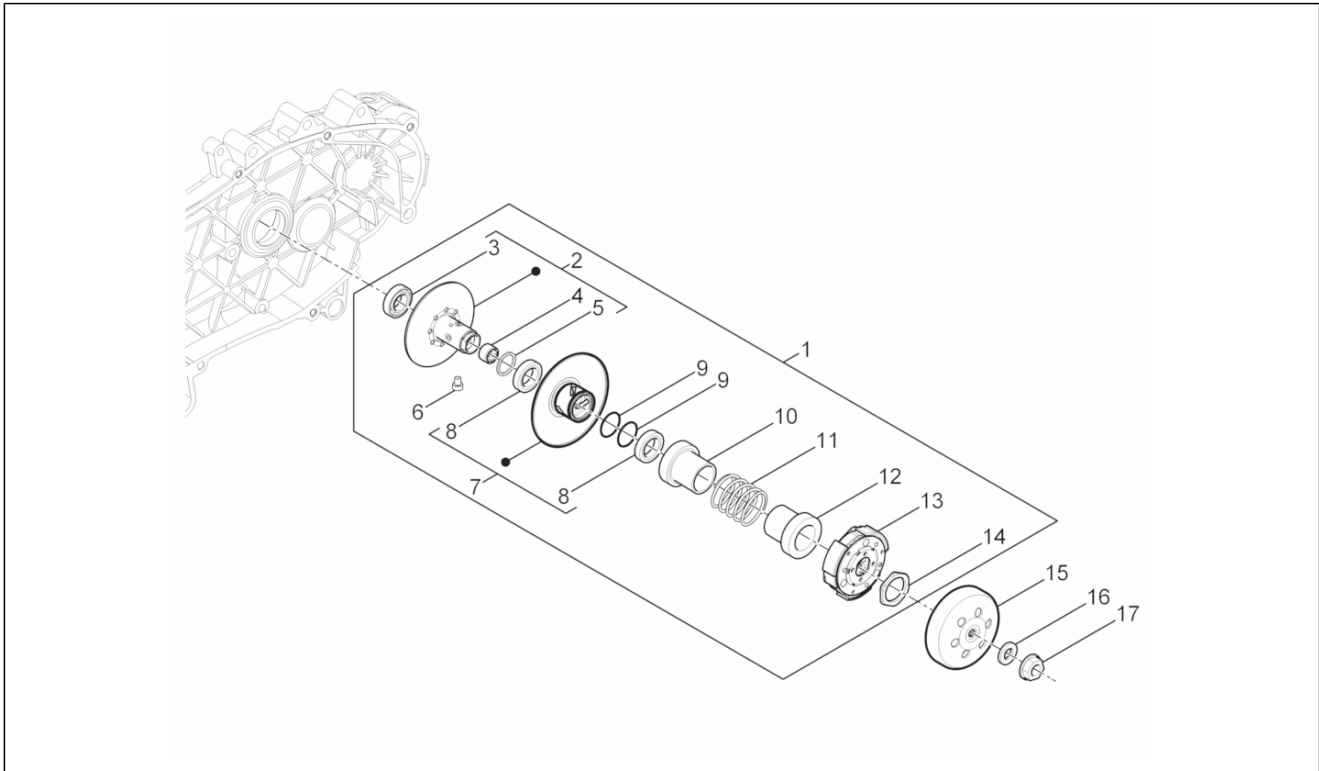
Pos.	Code	Description	Qty	Variants
1	877140	Head cover	1	
2	018639	Hex screw M6x20	4	
3	829817	Packing	1	
4	825364	Cylinder head gasket	1	
5	487989	Gasket	1	
6	829008	Oil bleed cover	1	
7	845753	Hex socket screw M5x20	4	
8	CM001904	Hose clamp	1	
9	842737	Oil breather pipe	1	
10	843443	Intake side hood	1	
11	826275	Spring plate	1	
12	833821	Exhaust side hood	1	
13	826275	Spring plate	1	
14	825368	Spark plug cover	1	
15	231590	Elastic spring	1	
16	270793	TBCIC Screw 3,8x16	1	
17	259577	screw	2	
18	828662	Screw M5x22	1	
19	638852	Spark plug CR7EB (NGK)	1	
19	828708	Spark plug RG6YC (Champion)	1	
20	825363	Washer	1	

Group	Engine
Code	01.13
Description	Driving pulley
Service	1



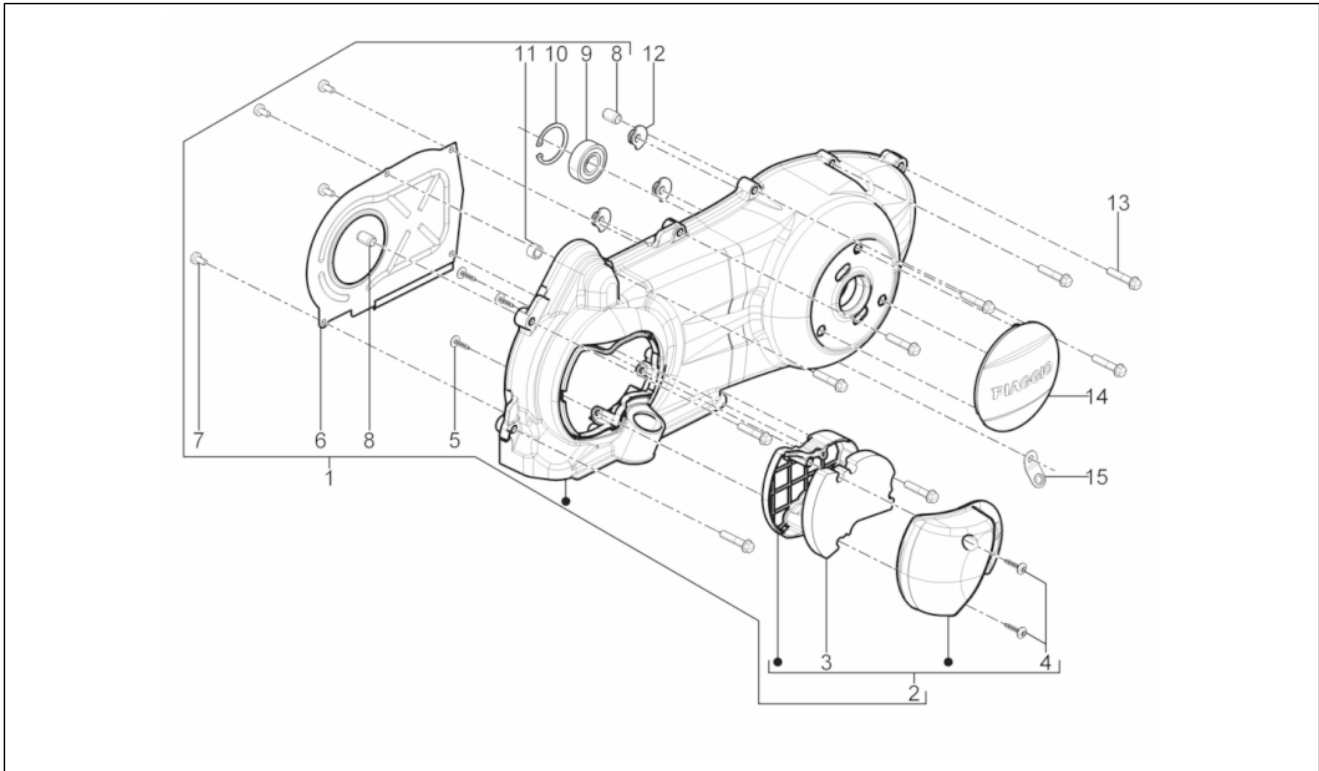
Pos.	Code	Description	Qty	Variants
1	CM144402	Complete roller housing	1	
2	4348555	Sliding block	3	
3	842204	Roller contrast	1	
4	CM1038035	Rollers kit	6	
5	845607	Complete fixed driving half-pulley	1	
6	832715	Plate	1	
7	008370	screw	3	
8	841213	(Mitsuboshi) V-belt	1	
8	879057	(Gates) V-belt	1	
9	831363	Plain washer	1	
10	876403	Flat washer	1	
11	436783	Nut M12	1	
12	483889	Spacer	1	

Group	Engine
Code	01.14
Description	Driven pulley
Service	1



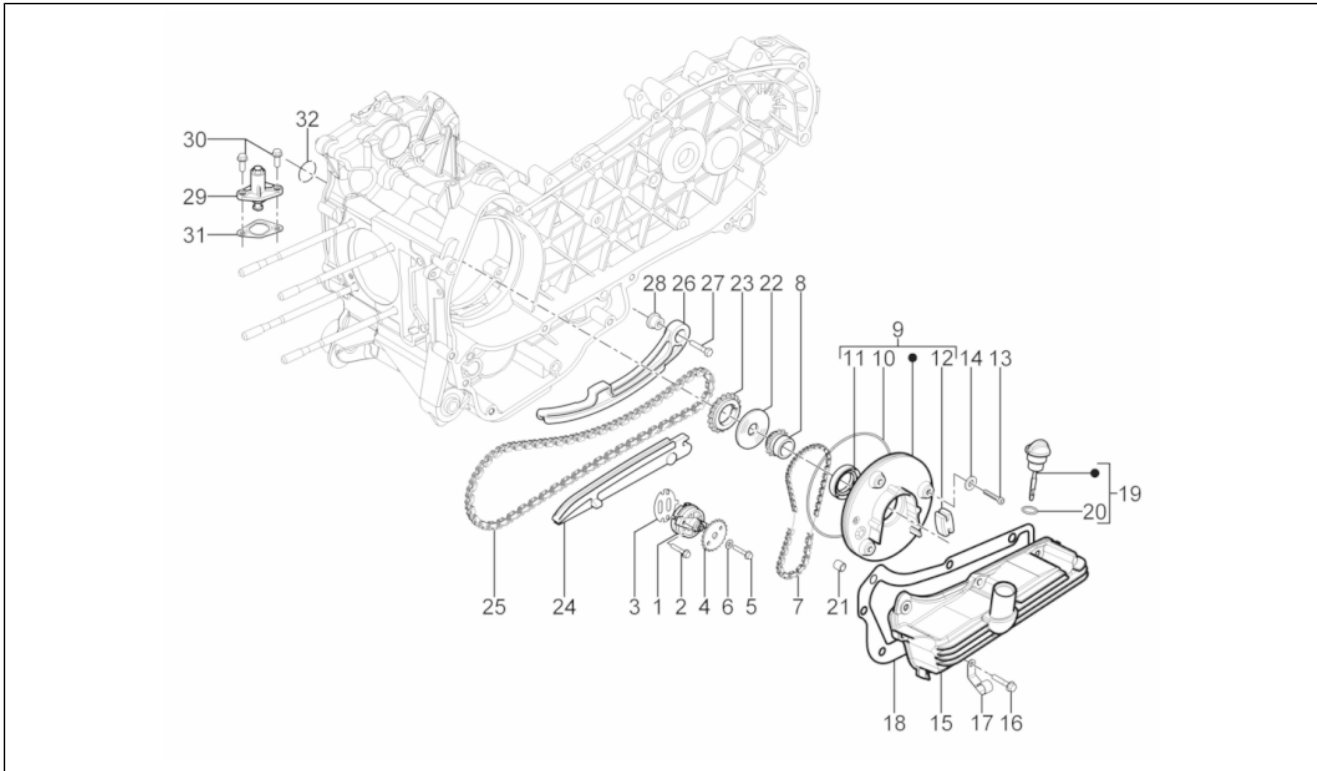
Pos.	Code	Description	Qty	Variants
1	CM162401	Clutch driven pulley assy.	1	
2	830580	Fixed driven half pulley	1	
3	82753R	Bearing 17x30x7	1	
4	82518R	Roller cage 20x29x18	1	
5	483226	Snap ring	1	
6	828717	Guide pin L=12,5	4	
7	879002	Adjustable pulley, half	1	
8	431089	Gasket ring	2	
9	430585	Gasket	2	
10	4310935	Pulley side cap	1	
11	825726	Variator spring	1	
11	872877	Variator spring	1	
12	487936	Clutch side cap	1	
13	CM1612015	Complete centrifugal clutch assembly	1	
14	433232	Ring nut	1	
15	8440494	Clutch drum	1	
16	274246	Flat washer 22x12,1x1	1	
17	486324	Nut M12x1.25	1	

Group	Engine
Code	01.15
Description	Crankcase cover - Crankcase cooling
Service	1



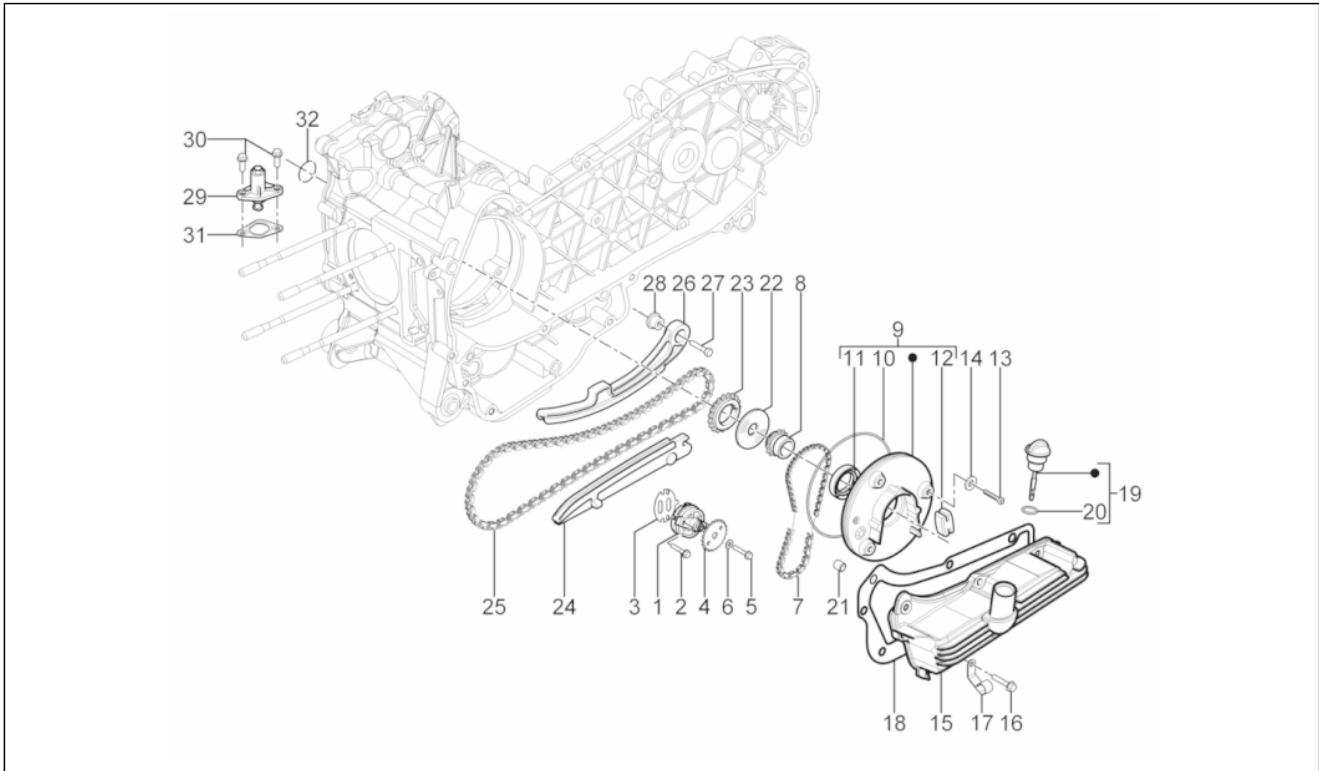
Pos.	Code	Description	Qty	Variants
1	CM140820	Complete transmission cover	1	
2	874106	Coperchio raffreddamento completo	1	
3	842093	Filtering element	1	
4	258146	Self-tap screw M3x20	2	
5	270793	TBCIC Screw 3,8x16	3	
6	873682	Air deflector	1	
7	430264	Self-tapping screw	4	
8	239388	Pin 6,5x9,5x15	2	
9	478985	Bearing	1	
10	006635	Snap ring	1	
11	431860	Bush Ø8xØ12x8	1	
12	871458	Retainer buffer	3	
13	289731	Screw w/ flange M6x30	9	
14	CM155101	Plug	1	
15	844964	Hose clamp	1	

Group	Engine
Code	01.18
Description	Oil pump
Service	1



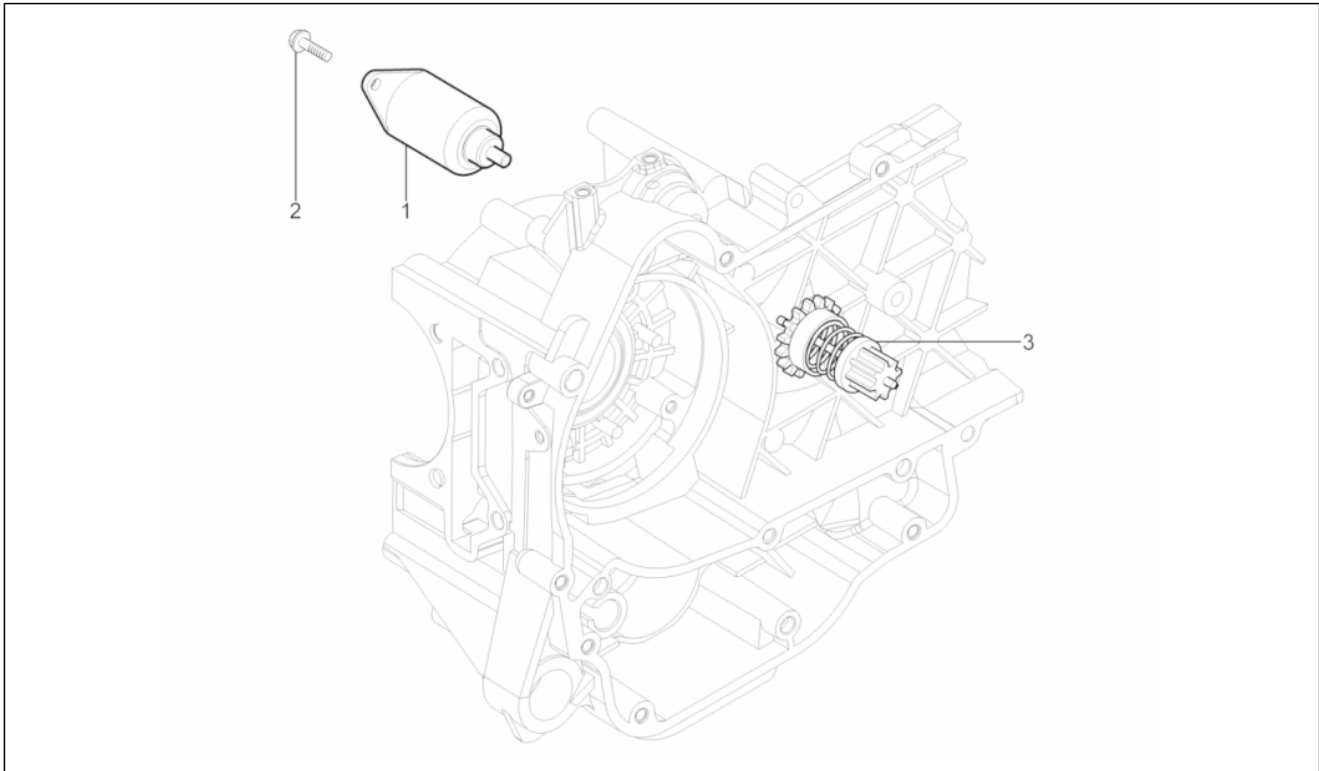
Pos.	Code	Description	Qty	Variants
1	82877R	Oil pump assembly	1	
1	82948R	Oil pump assembly	1	
2	829593	Screw w/ flange M5x35	2	
3	486082	Carter-oil pump gasket	1	
4	287913	Oil pump gear	1	
5	833722	Screw w/ flange M6x14	1	
6	436695	Belleville spring Ø6,4xØ20x2	1	
7	82649R	Oil pump chain	1	
8	82783R	Oil pump control pinion	1	
9	483775	Timing system cover	1	
10	825620	Gasket ring	1	
11	82538R	Gasket ring	1	
12	434345	Oil pump chain drift	1	
13	018623	Self-tapping screw	3	
14	487937	Plain washer	3	
15	843761	Motor oil cup	1	
16	289731	Screw w/ flange M6x30	7	
17	487824	Retainer clamp	1	
18	830128	Sump gasket	1	
19	843364	Oil plug assembly	1	
20	479986	O-ring	1	
21	277916	Locating dowel	3	
22	483918	Oil seal washer	1	
23	82782R	Timing chain pinion	1	
24	828308	Chain tensioner sliding block	1	
25	82643R	Camshaft chain	1	
26	840510	Chain tensioner rod	1	
27	414837	Screw w/ flange M6x25	1	

Group	Engine
Code	01.18
Description	Oil pump
Service	1



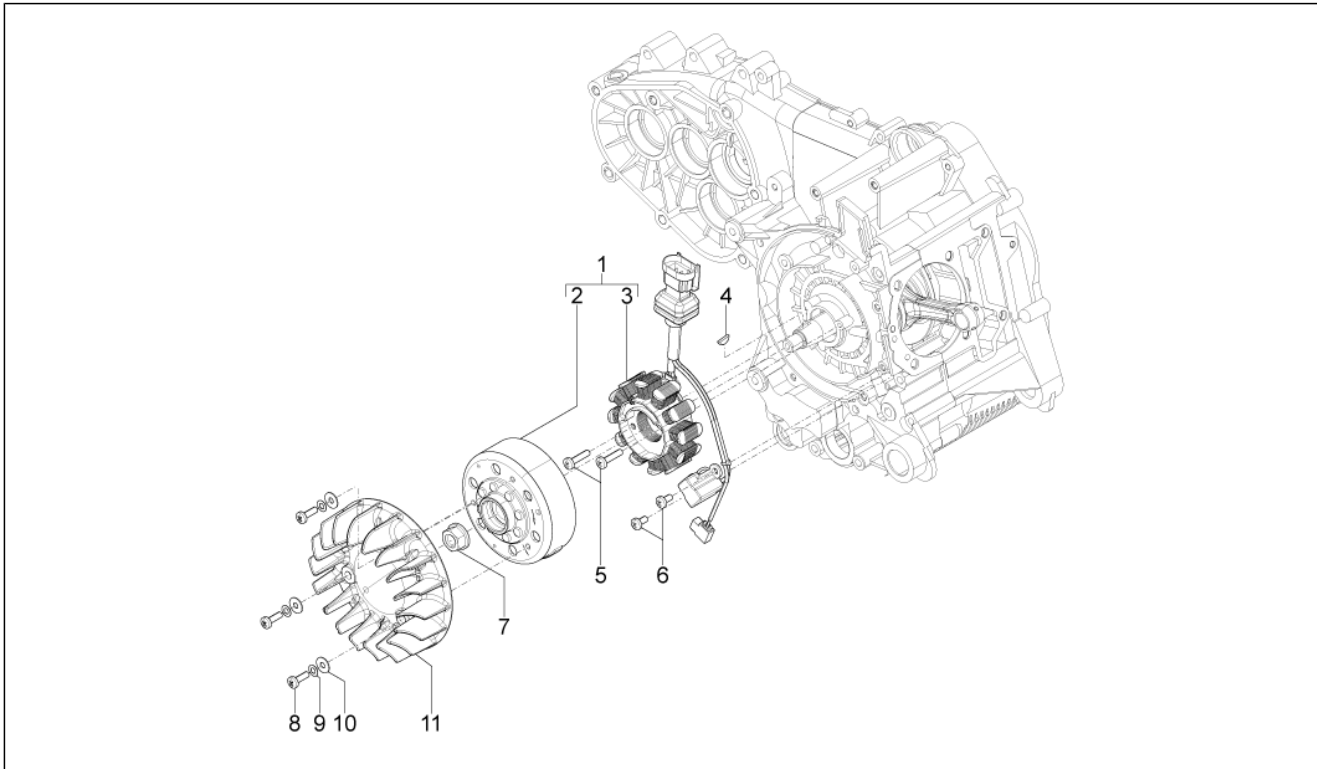
Pos.	Code	Description	Qty	Variants
28	485868	Spacer	1	
29	82650R	Complete chain tensioner	1	
30	434541	Screw w/ flange M6x16	2	
31	847928	Gasket	1	
32	825952	O-Ring seal ring	1	

Group	Engine
Code	01.20
Description	Stater - Electric starter
Service	1



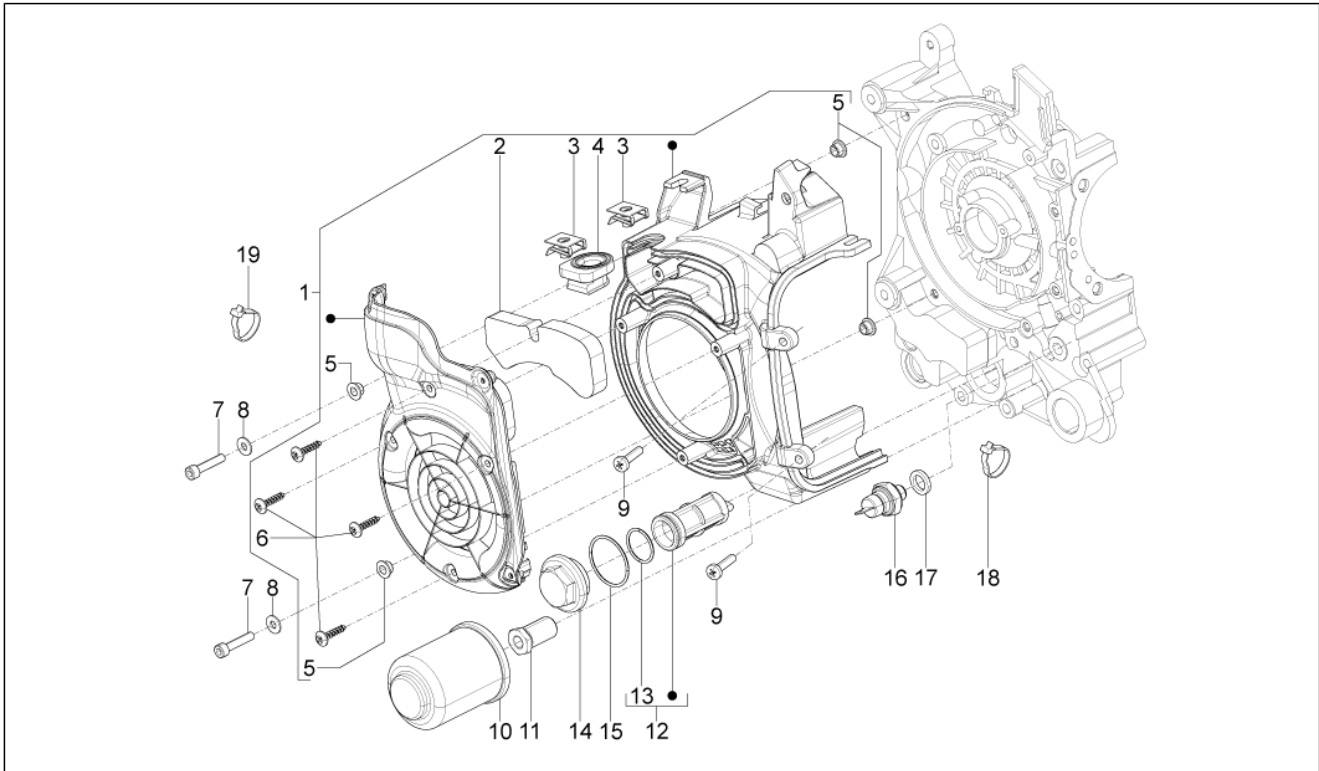
Pos.	Code	Description	Qty	Variants
1	82611R	Starter motor	1	
2	018639	Hex screw M6x20	2	
3	82612R	Starter motor gear	1	

Group	Engine
Code	01.21
Description	Flywheel magneto
Service	1



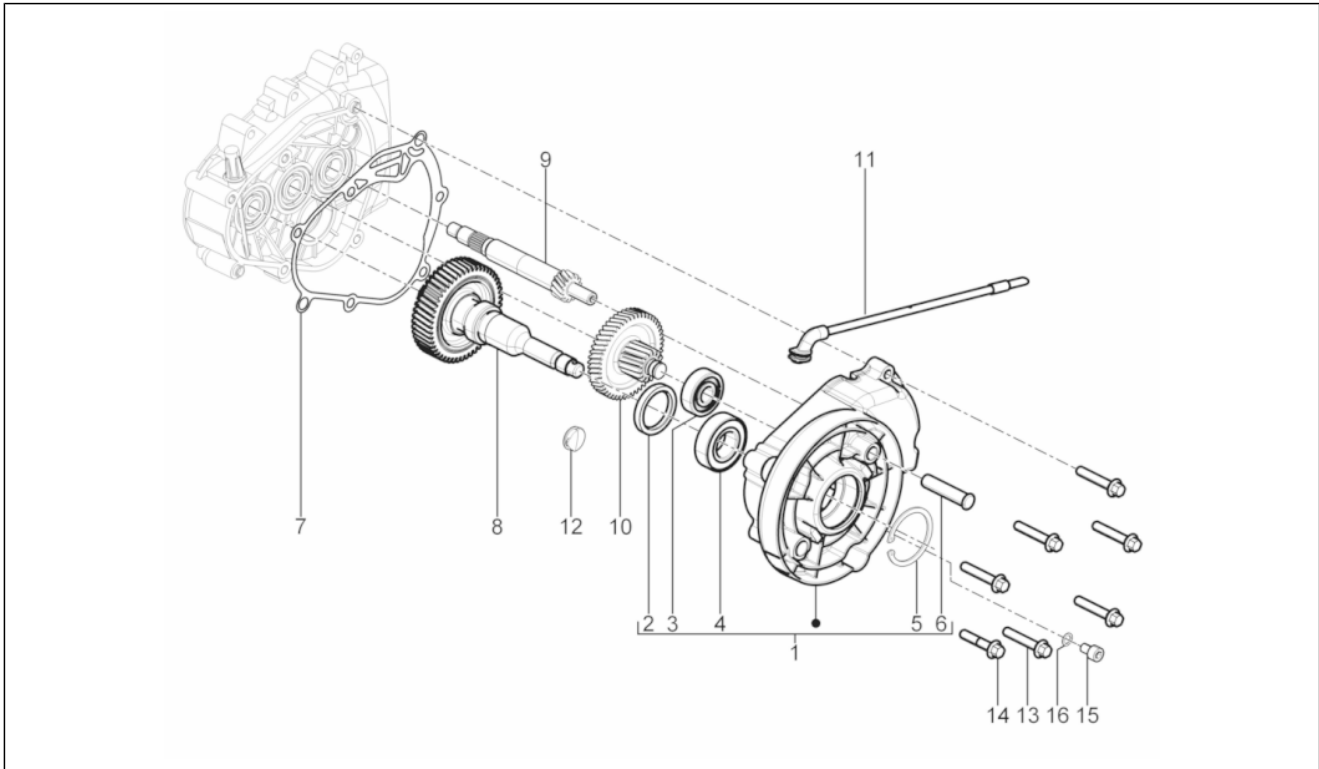
Pos.	Code	Description	Qty	Variants
1	58059R	Complete magneto flywheel	1	
2	486140	(Mitsuba) complete rotor	1	
2	584695	Complete rotor (Kokusan)	1	
3	584690	Complete stator (Kokusan)	1	
4	000267	Transmission key	1	
5	828662	Screw M5x22	2	
6	018575	Screw M5x10	2	
7	436783	Nut M12	1	
8	259151	screw M5x16	3	
9	006975	Washer Ø5,3xØ10x0,5	3	
10	060201	Flat washer 5,3x14x1	3	
11	825430	Fan	1	

Group	Engine
Code	01.23
Description	Flywheel magneto cover - Oil filter
Service	1



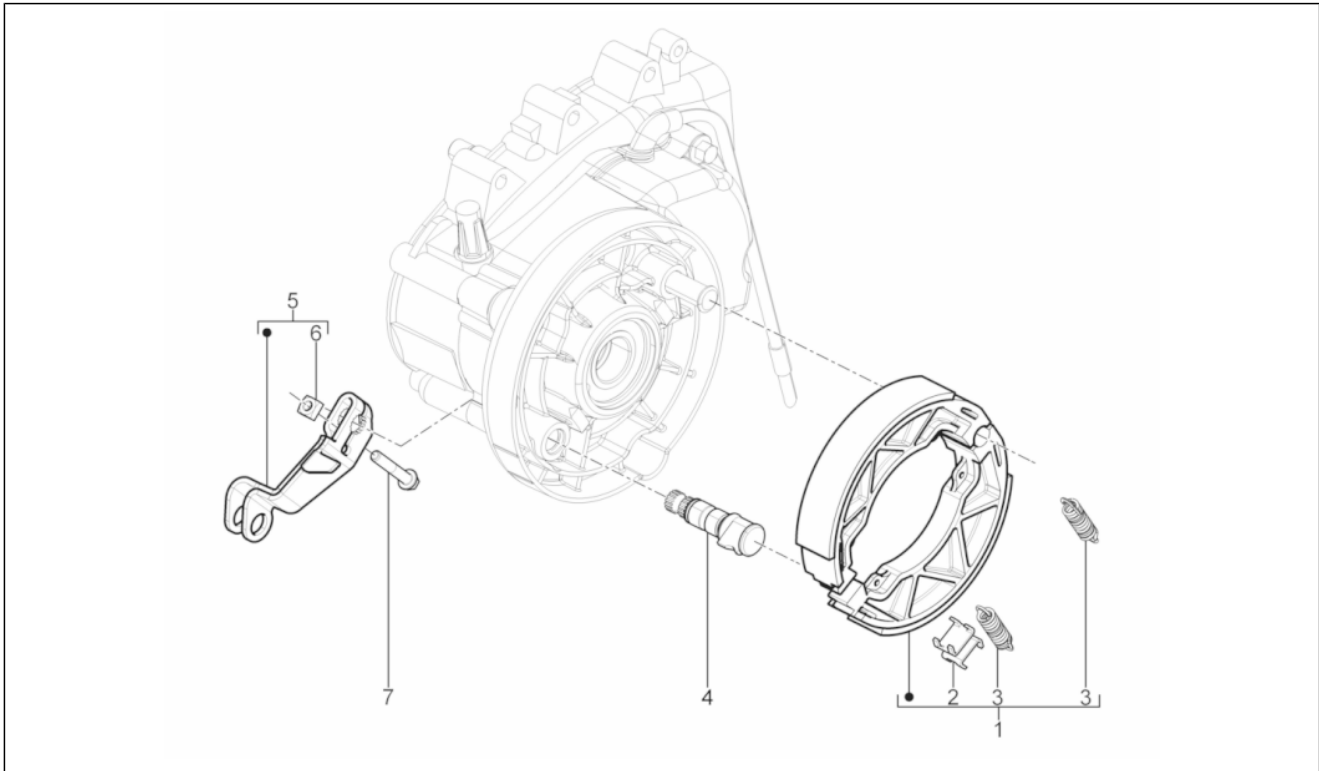
Pos.	Code	Description	Qty	Variants
1	834473	Complete air duct	1	
2	832703	Filtering element	1	
3	254485	Spring plate M6	2	
4	833802	Gasket	1	
5	843757	Bush	4	
6	258146	Self-tap screw M3x20	4	
7	486972	Hex socket screw M5x25	2	
8	828583	Washer $\varnothing 5 \times \varnothing 12 \times 1.1$	2	
9	828662	Screw M5x22	2	
10	82635R	Oil filter	1	
11	483776	Special screw	1	
12	483841	Intake oil filter	1	
13	288474	O-ring 20,35x1,78	1	
14	826165	Oil filter plug	1	
15	285536	O-ring 31,47x1,78	1	
16	641541	Oil pressure sensor	1	
17	486075	Washer 10.5X16X2.5	1	
18	825481	Hose clamp	1	
19	847778	Hose clamp	1	

Group	Engine
Code	01.25
Description	Reduction unit
Service	1



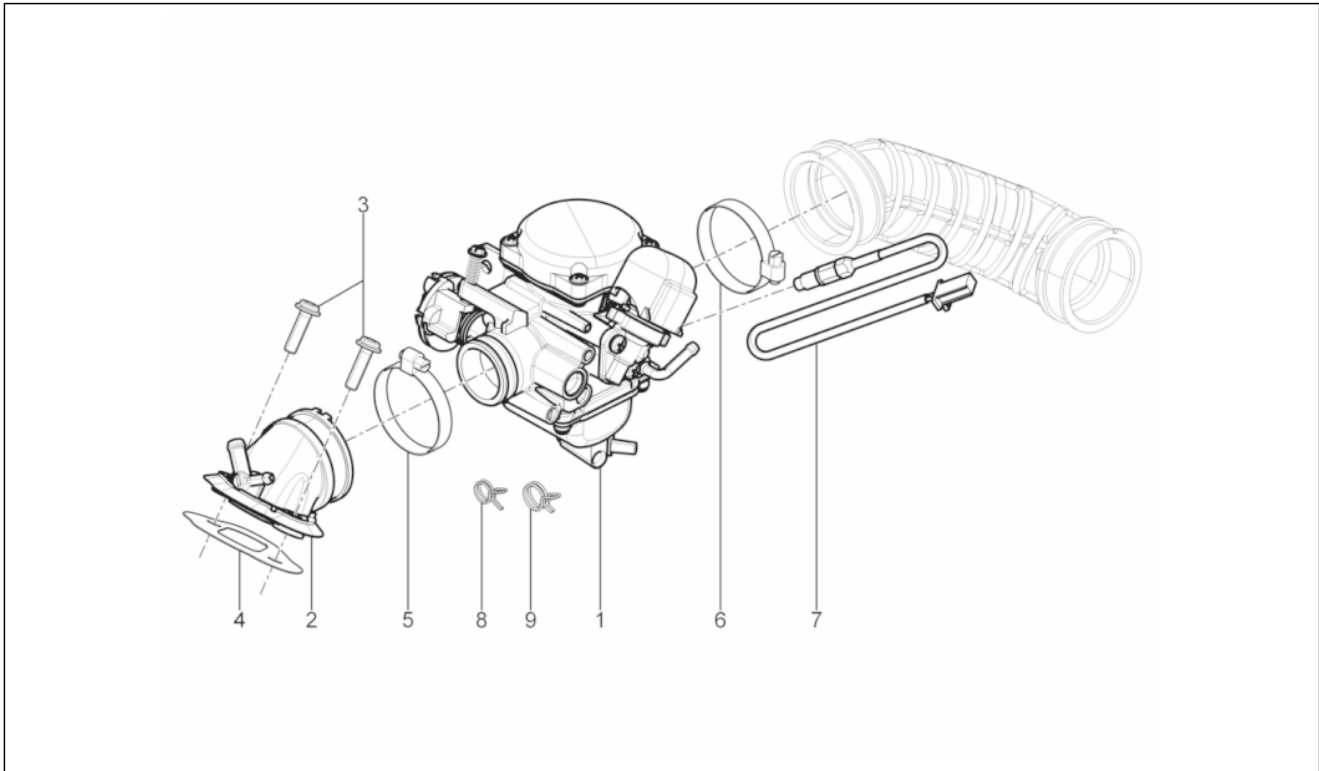
Pos.	Code	Description	Qty	Variants
1	8460245	Complete reducer cover	1	
2	82899R	Gasket ring	1	
3	485912	Radial ball bearing 15x42x13	1	
4	478984	Radial bearing 25x52x15	1	
5	006652	Snap ring	1	
6	272921	Shoe fulcrum pin	1	
7	847930	Reduction unit cover gasket	1	
8	8417485	Rear wheel axle	1	
9	8738745	Driven pulley shaft	1	
10	8285655	Transmission shaft	1	
11	CM162202	Reduction unit breather pipe assembly	1	
12	487115	Cover	1	
13	487211	Screw w/ flange M8x45	5	
14	873980	Screw w/ flange M8x40	1	
15	269755	Hex socket screw M8x12	1	
16	485703	Washer 8.2x12x1	1	

Group	Engine
Code	01.35
Description	Rear brake - Brake jaw
Service	1



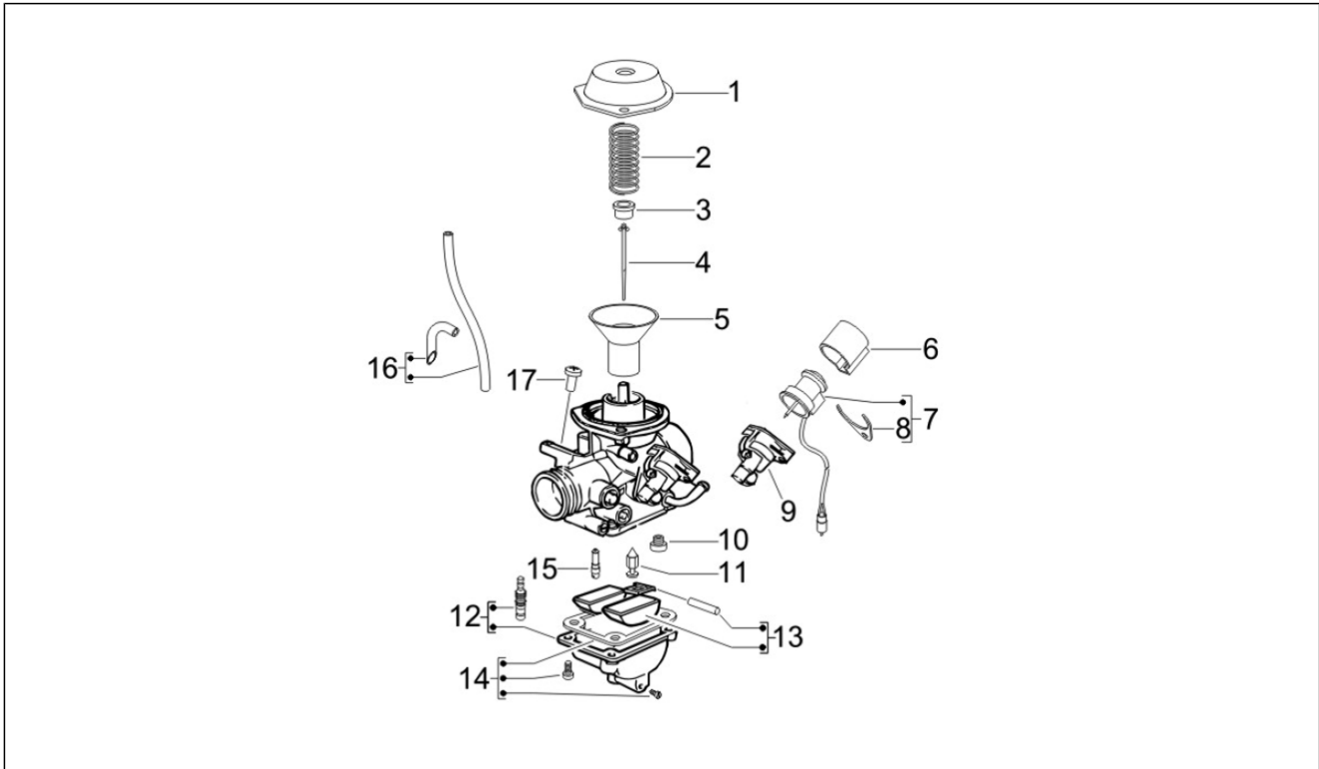
Pos.	Code	Description	Qty	Variants
1	56294R	Pair of brake shoes	1	
2	266724	Plate	2	
3	266725	Brake shoes return spring	2	
4	5641365	Brake lever shaft	1	
5	564215	Rear brake control lever	1	
6	828862	Square nut	1	
7	414838	screw M6x35	1	

Group	Engine
Code	01.39
Description	Carburettor, assembly - Union pipe
Service	1



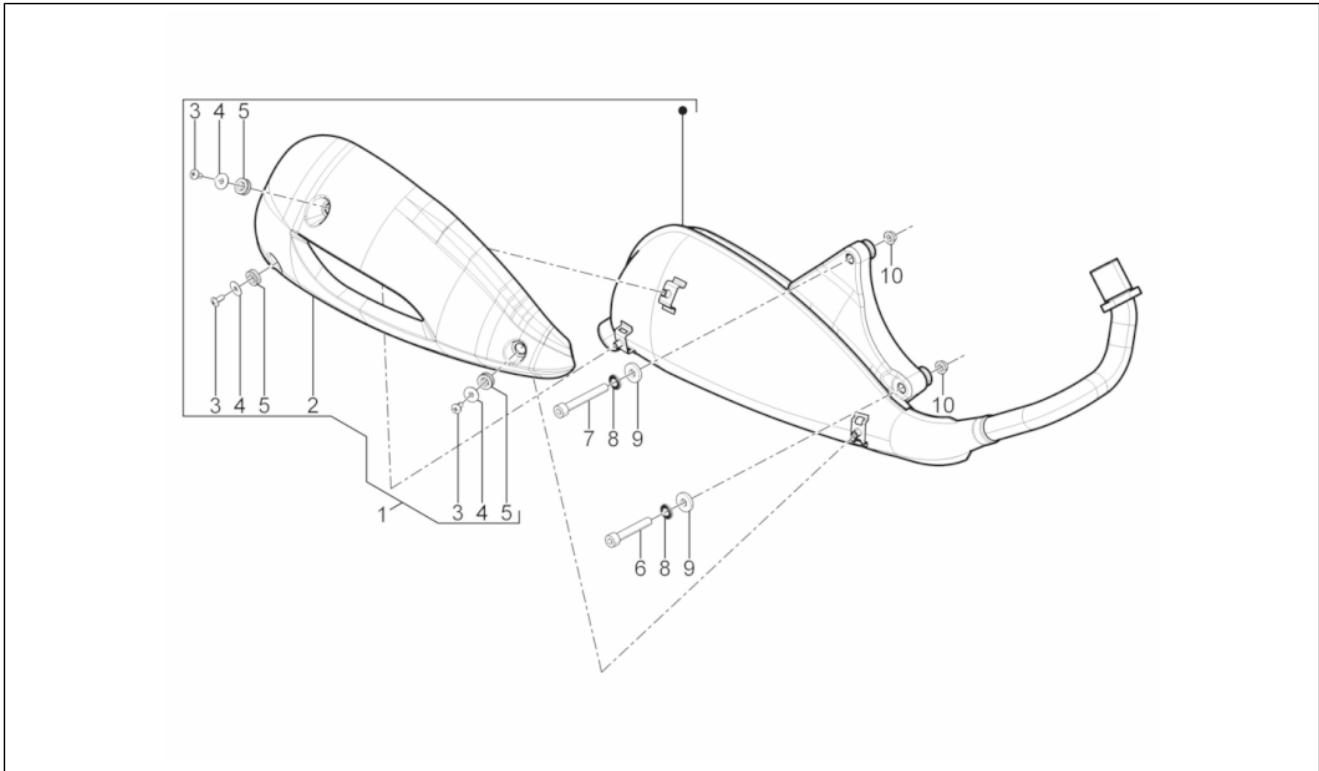
Pos.	Code	Description	Qty	Variants
1	CM156006	Carburetor assembly keihin	1	
2	849465	Induction joint with U.P.	1	
3	828152	screw M6x22	2	
4	871167	Induction joint gasket	1	
5	709532	Hose clamp	1	
6	709532	Hose clamp	1	
7	82961R	Resistor Module	1	
8	CM002902	Hose clamp	1	
9	CM002903	Hose clamp	1	

Group	Engine
Code	01.40
Description	Carburetor's components
Service	1



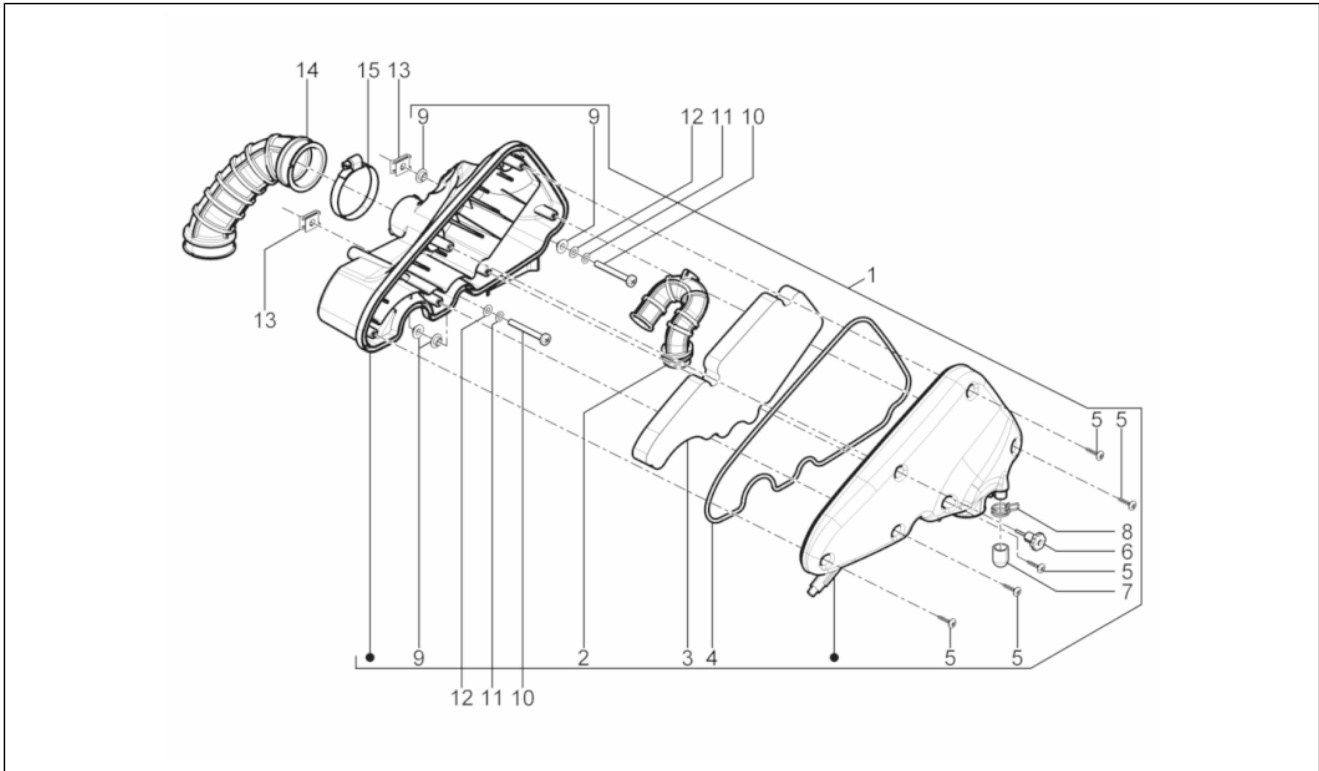
Pos.	Code	Description	Qty	Variants
1	842514	Gas valve cover	1	
2	CM140903	Gas valve spring	1	
3	842517	Tapered pin cap	1	
4	CM140210	Conical pin NJHA	1	
5	CM140302	Diaphragm	1	
6	828844	Cap	1	
7	CM142905	Complete automatic starter	1	
8	828843	Plate	1	
9	842530	Starter device	1	
10	CM129914	Main jet 82	1	
11	828831	Petrol needle	1	
13	842522	Float kit	1	
14	842523	Float chamber kit	1	
14	CM156709	Complete reservoir	1	
15	CM140105	Idle jet	1	
16	842521	Pipes kit	1	
17	CM149404	Adj. min. eng. speed screw	1	

Group	Engine
Code	01.42
Description	Silencer
Service	1



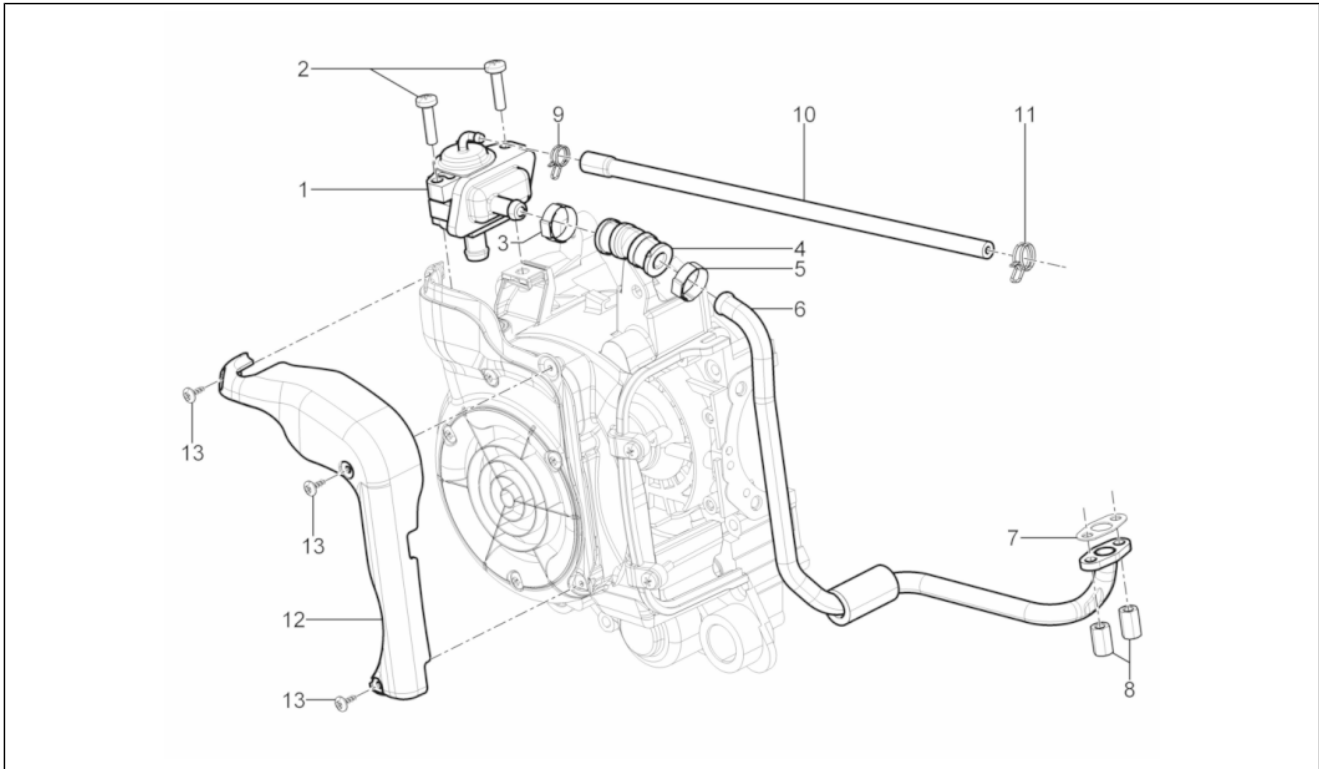
Pos.	Code	Description	Qty	Variants
1	880470	Muffler, assy.	1	
2	880451	Protection	1	
3	848766	screw	3	
4	827526	Flat washer	3	
5	487665	Fairlead	3	
6	844483	Hex socket screw M8x50	1	
7	872997	Hex socket screw M8x55	1	
8	834187	Spring washer 16x8,2x2,2	2	
9	709012	Washer	2	
10	436947	Nut	2	

Group	Engine
Code	01.45
Description	Air filter
Service	1



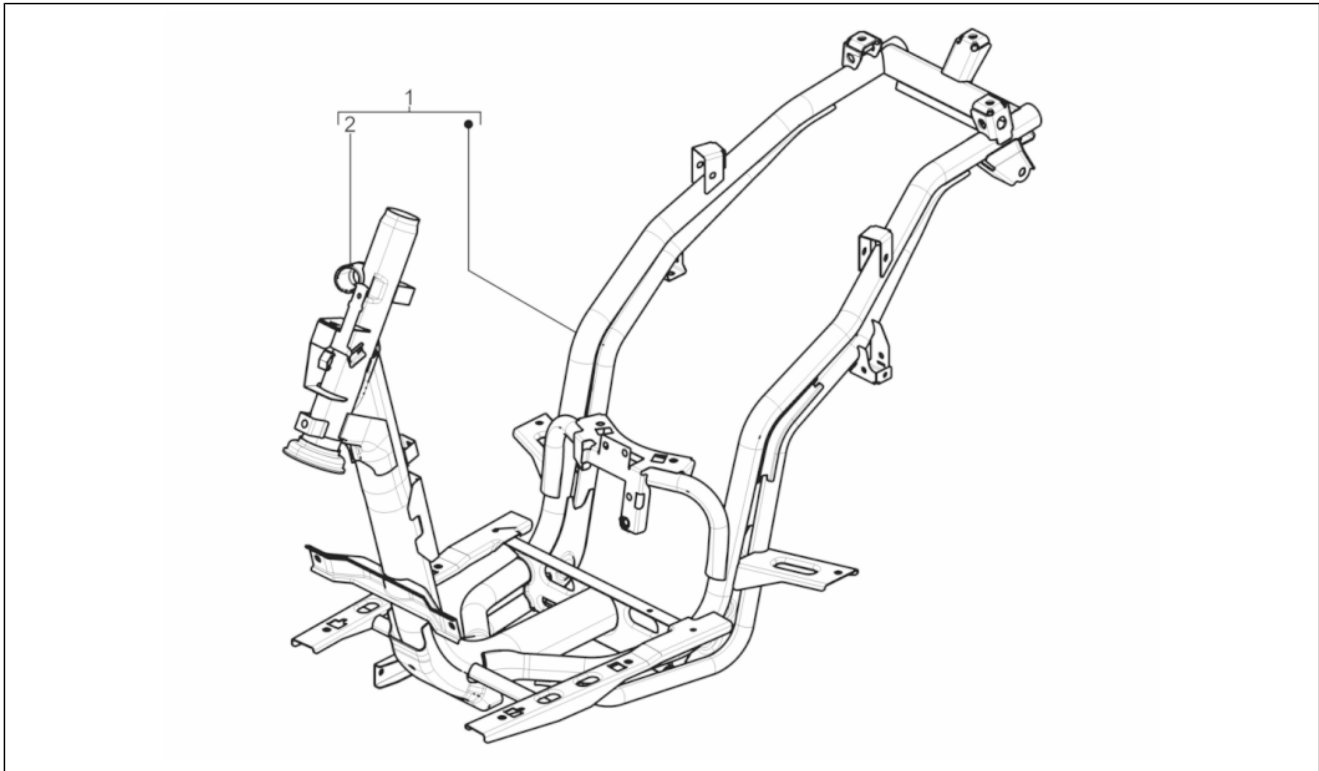
Pos.	Code	Description	Qty	Variants
1	B013216	Complete air cleaner box	1	
2	843849	Air calibration tube	1	
3	843194	Air filter	1	
4	843195	Gasket	1	
5	258146	Self-tap screw M3x20	5	
6	479132	Knob	1	
7	827831	Cap	1	
8	CM002910	Hose clamp	1	
9	830056	Knurled bushing	4	
10	018640	Special cap screw M6x50	2	
11	012533	Notched washer 6,6x11x0	2	
12	003056	Flat washer 6,4x12x1	2	
13	254485	Spring plate M6	2	
14	829001	Filter box carburettor sleeve	1	
15	709532	Hose clamp	1	

Group	Engine
Code	01.46
Description	Secondary air box
Service	1



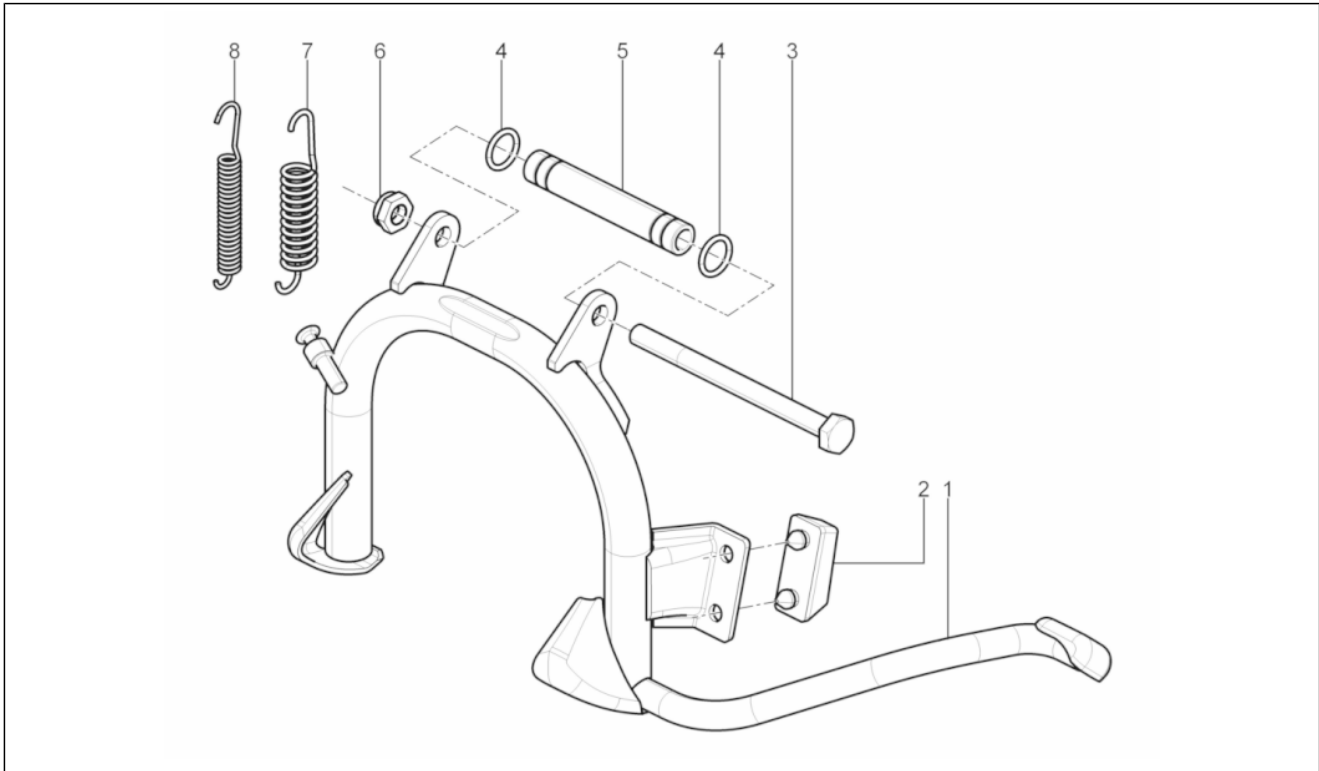
Pos.	Code	Description	Qty	Variants
1	82996R	SAS valve	1	
2	015760	Screw	2	
3	CM001904	Hose clamp	1	
4	831259	s.a.s. joint pipe	1	
5	CM001904	Hose clamp	1	
6	844116	Complete s.a.s. pipe	1	
7	832943	Gasket	1	
8	846766	Nut	2	
9	CM002904	Hose clamp	1	
10	845635	Depression pipe	1	
11	CM002917	Hose clamp	1	
12	834476	Flywheel cover	1	
13	297498	Self tapping screw M3,5x13	3	

Group	Frame - Plastic parts - Coachwork
Code	02.01
Description	Frame/bodywork
Service	1



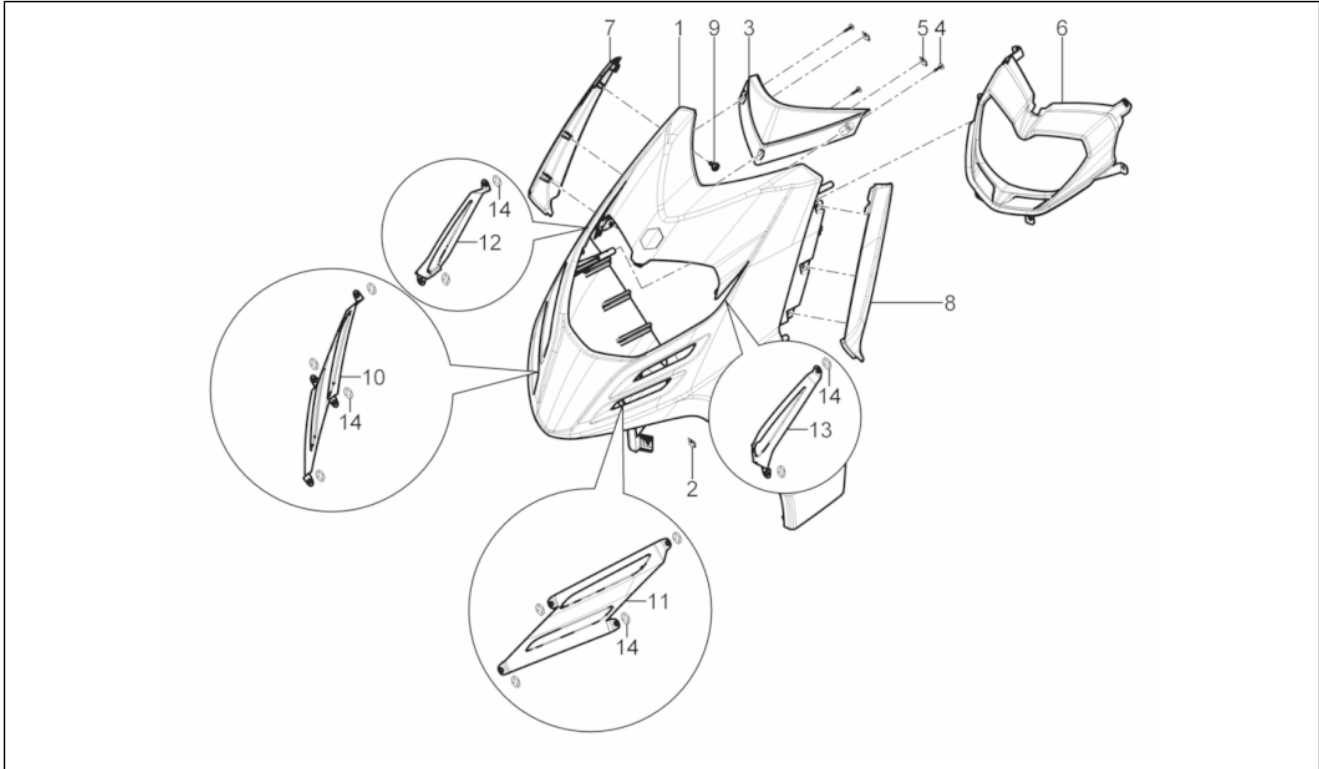
Pos.	Code	Description	Qty	Variants
1	672750	Frame with u.p.	1	
2	298604	Lock support	1	

Group	Frame - Plastic parts - Coachwork
Code	02.25
Description	Stand/s
Service	1



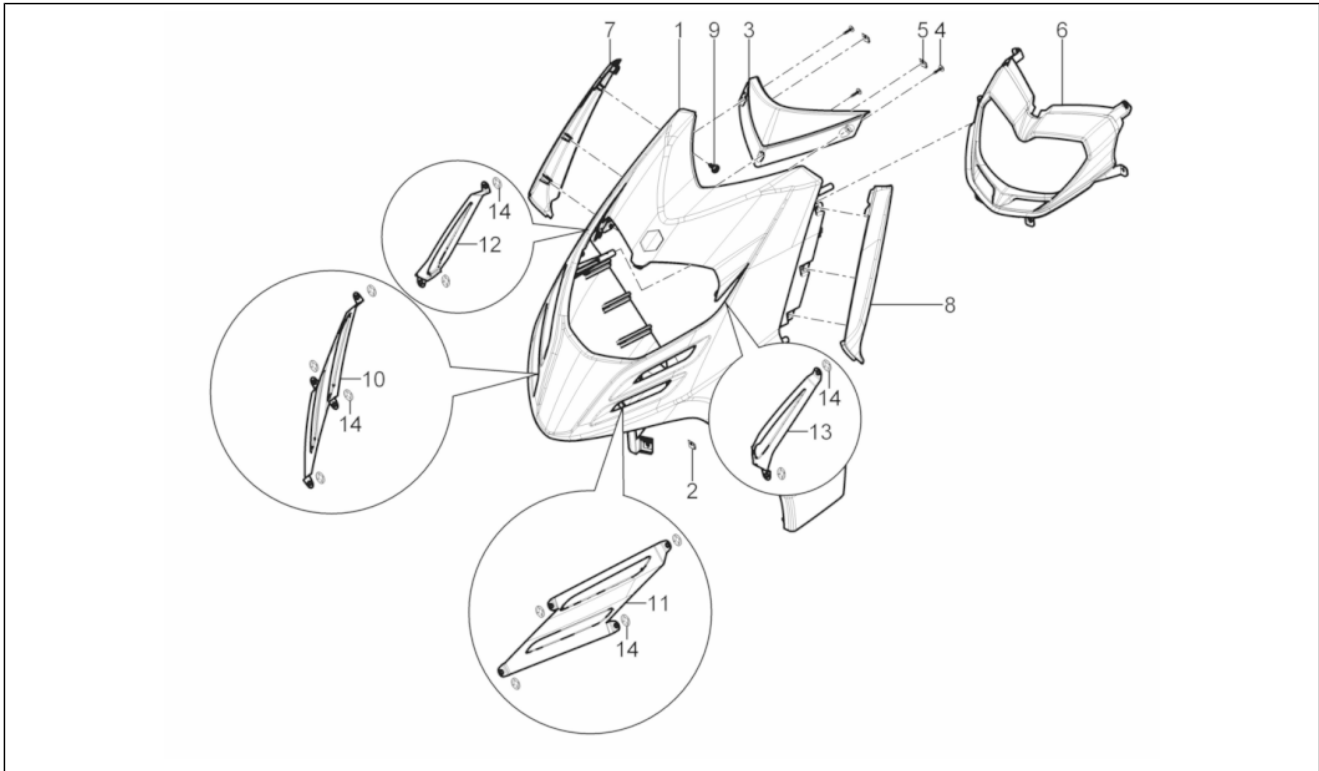
Pos.	Code	Description	Qty	Variants
1	666313	Complete centre stand	1	
2	581560	Pad	1	
3	030115	Hex screw M10x130	1	
4	273754	O-ring	2	
5	582298	Spacer	1	
6	002440	Self locking nut M10	1	
7	581249	Spring	1	
8	581248	Spring	1	

Group	Frame - Plastic parts - Coachwork
Code	02.26
Description	Front shield
Service	1



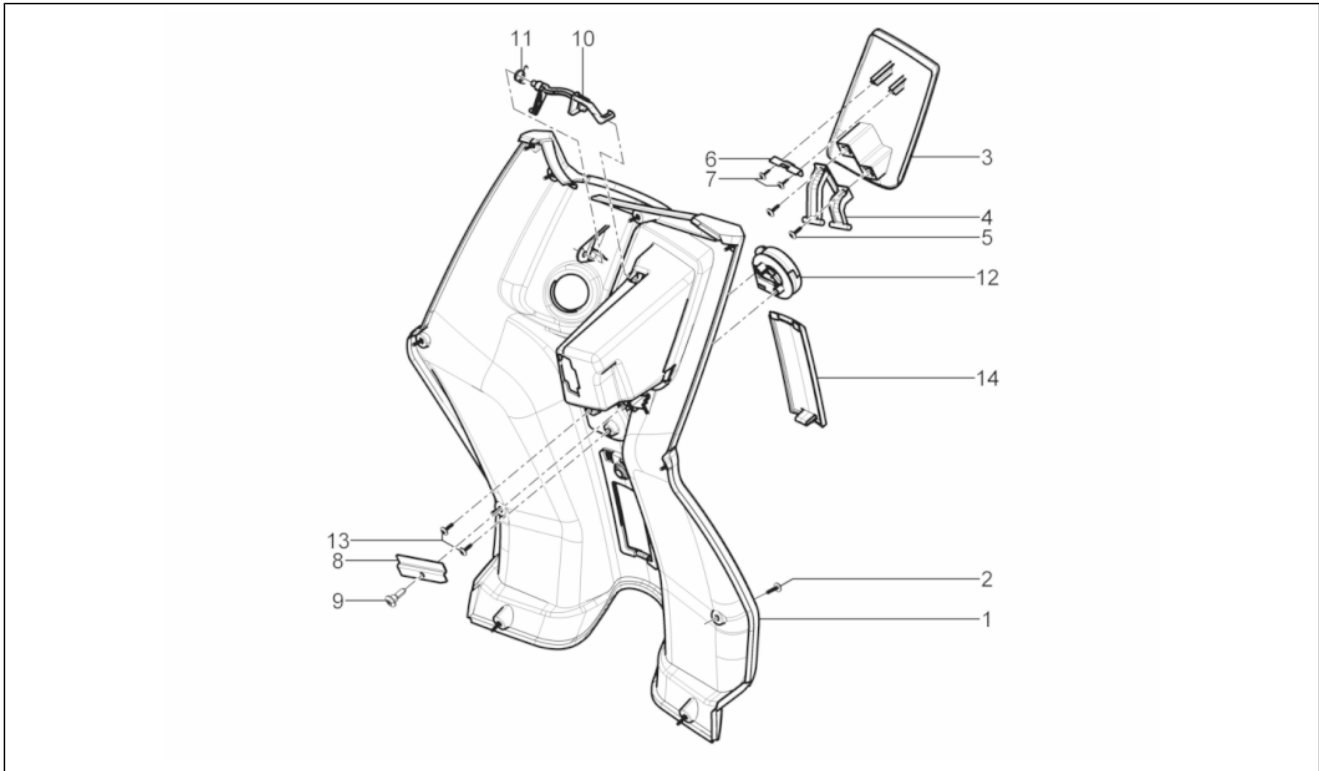
Pos.	Code	Description	Qty	Variants
1	657461	Front shield	1	
1	6574610090	Front shield	1	Vehicle colour:Shiny Black[94]
1	65746100DN	Front shield	1	Vehicle colour:Neptune blue[253/A]
1	65746100EZ	Front shield	1	Vehicle colour:Technical grey[742/B]
1	65746100GZ	Front shield	1	Vehicle colour:Yellow metallic[952/A]
1	65746100XB	Front shield	1	Vehicle colour:Cult white[553]
2	184142	Spring plate	6	
3	67207100XH1	Shield upper closing	1	Vehicle colour:Technical grey[742/B] Vehicle colour:Shiny Black[94] Vehicle colour:Yellow metallic[952/A] Vehicle colour:Cult white[553] Vehicle colour:Neptune blue[253/A]
4	270723	Self tapping screw	3	
5	184142	Spring plate	2	
6	657468	Front headlight surround	1	
7	657463	Deflector r.h.	1	
7	65746300XH1	Deflector r.h.	1	Vehicle colour:Technical grey[742/B] Vehicle colour:Shiny Black[94] Vehicle colour:Yellow metallic[952/A] Vehicle colour:Cult white[553] Vehicle colour:Neptune blue[253/A]
8	657462	Deflector l.h.	1	
8	65746200XH1	Deflector l.h.	1	Vehicle colour:Technical grey[742/B] Vehicle colour:Shiny Black[94] Vehicle colour:Yellow metallic[952/A] Vehicle colour:Cult white[553] Vehicle colour:Neptune blue[253/A]
9	297498	Self tapping screw M3,5x13	6	
10	664307	Right lower shield metallic retina	1	
11	664309	Left lower shield metallic retina	1	
12	664306	Right upper shield metallic retina	1	

Group	Frame - Plastic parts - Coachwork
Code	02.26
Description	Front shield
Service	1



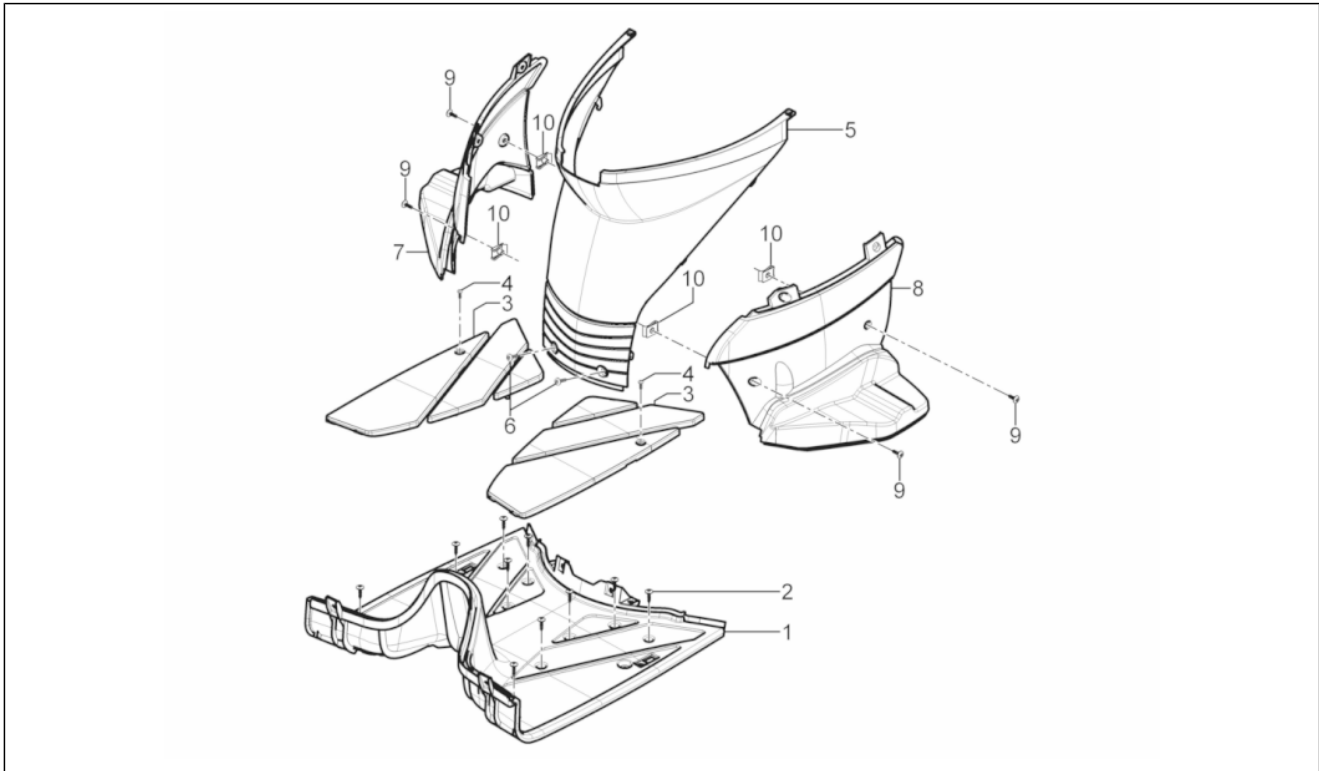
Pos.	Code	Description	Qty	Variants
13	664308	Left upper shield metallic retina	1	
14	664454	Washer	12	

Group	Frame - Plastic parts - Coachwork
Code	02.30
Description	Front glove-box - Knee-guard panel
Service	1



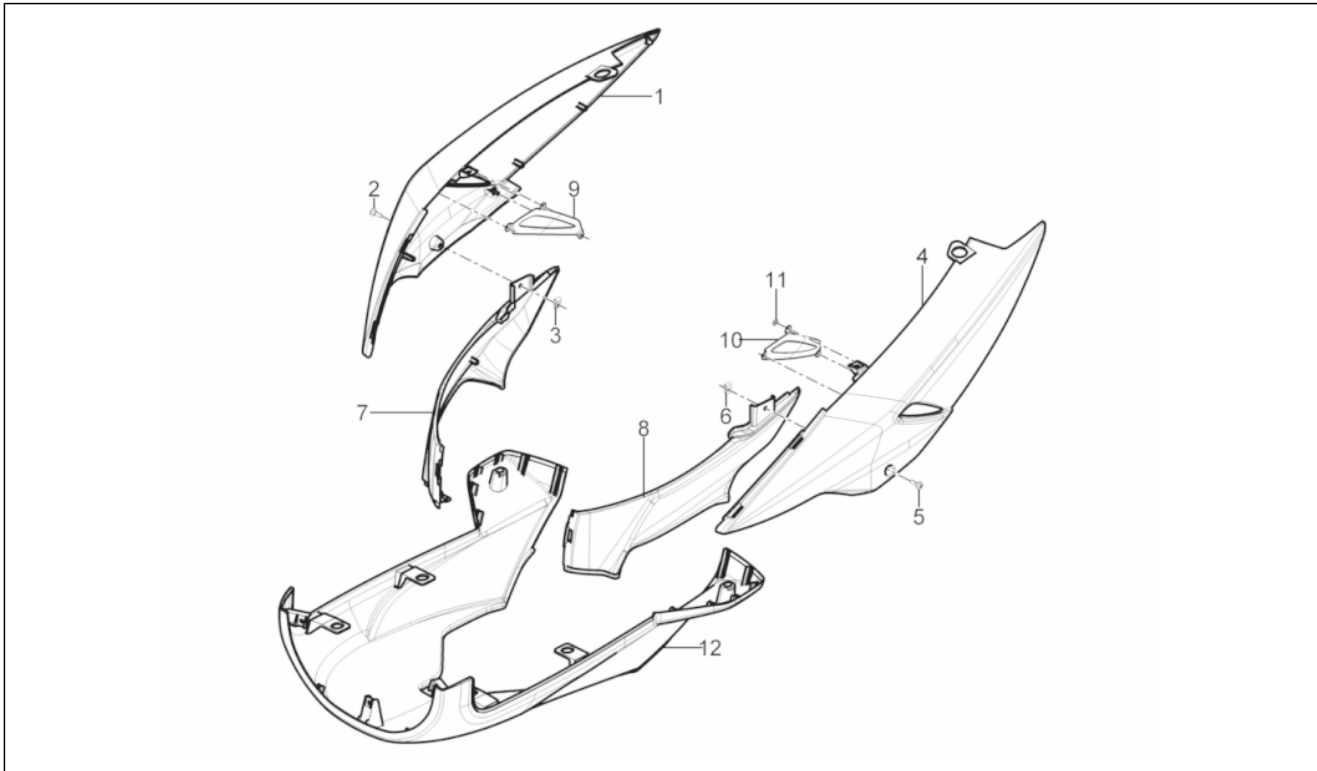
Pos.	Code	Description	Qty	Variants
1	85643300XH1	Internal shield, grey	1	
2	270723	Self tapping screw	10	
3	85647100XH1	Glove comp.door, grey	1	
4	856472	Hinge	1	
5	259349	Screw M4,2x13	2	
6	252420	Square	1	
7	297498	Self tapping screw M3,5x13	2	
8	856473	Plate	1	
9	575249	Screw with shank M6	1	
10	856437	Lockup hook door	1	
11	257617	Spring	1	
12	575819	Bag holder hook	1	
13	259349	Screw M4,2x13	2	
14	85647400XH1	Chassis number inspection cover	1	

Group	Frame - Plastic parts - Coachwork
Code	02.31
Description	Central cover - Footrests
Service	1



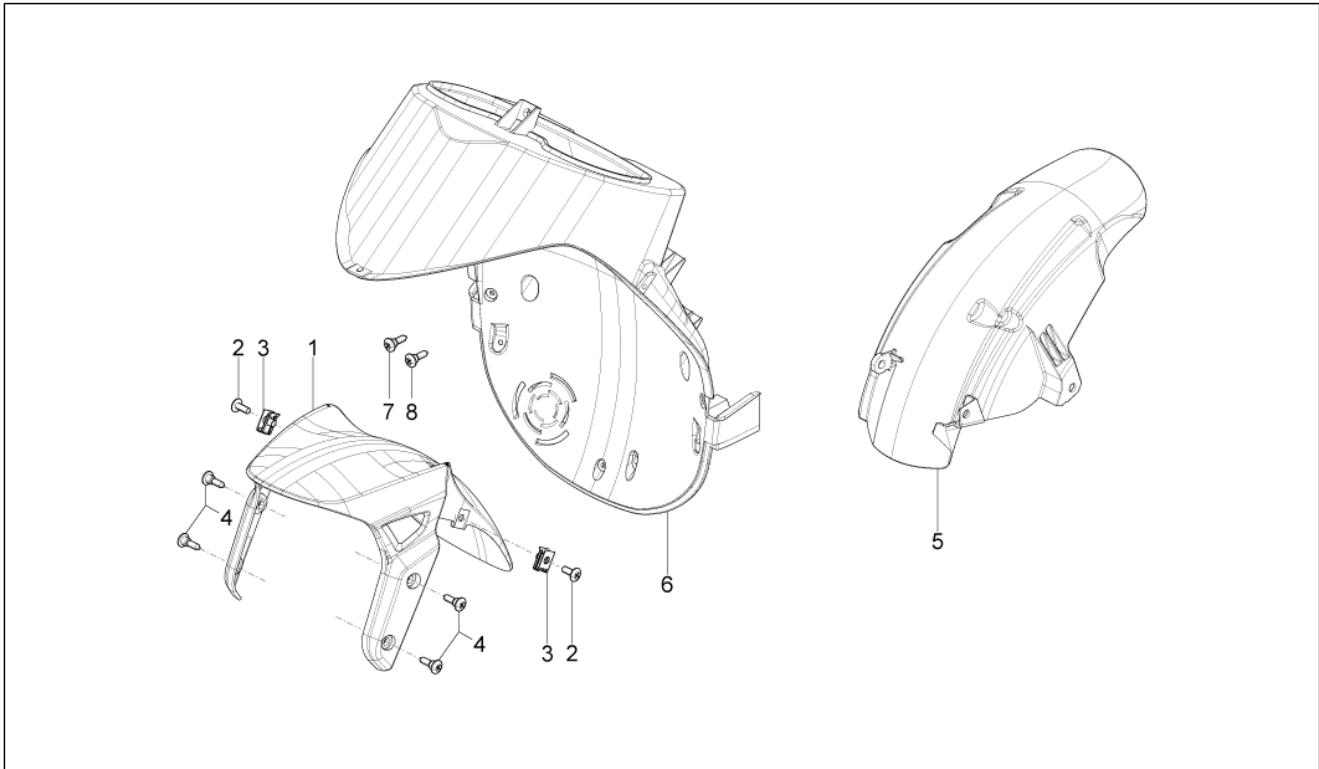
Pos.	Code	Description	Qty	Variants
1	85306100XH1	Footrest	1	
2	270793	TBCIC Screw 3,8x16	10	
3	85824300XH1	Carpets kit grey	1	
4	268596	Self tapping screw D4x13	2	
5	85643100XH1	Upper shield lockup, grey Pha	1	
6	270723	Self tapping screw	2	
7	85645000XH1	RH rear footrest, grey	1	
8	85645100XH1	LH rear footrest, grey	1	
9	259349	Screw M4,2x13	4	
10	254485	Spring plate M6	4	

Group	Frame - Plastic parts - Coachwork
Code	02.32
Description	Side cover - Spoiler
Service	1



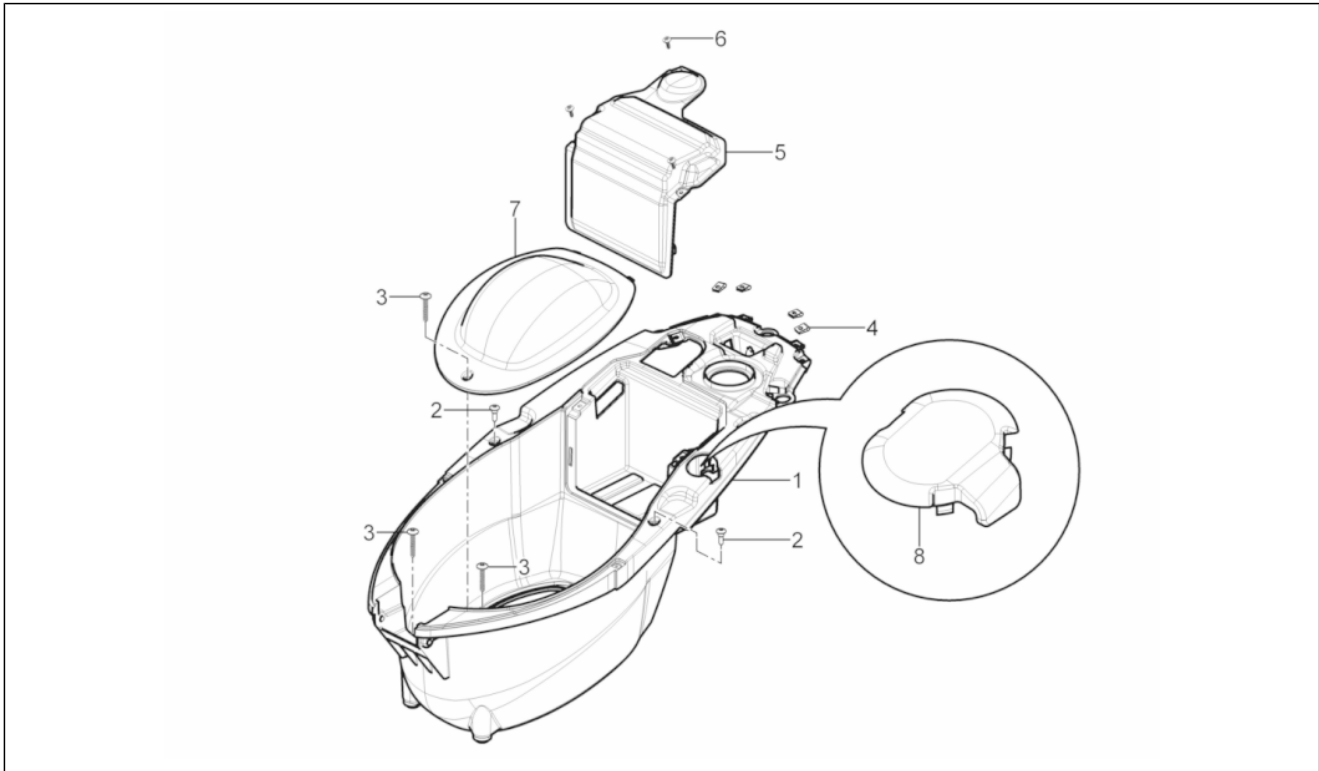
Pos.	Code	Description	Qty	Variants
1	657467	Fairing,rh.	1	
1	6574670090	Fairing,rh.	1	Vehicle colour:Shiny Black[94]
1	65746700DN	Fairing,rh.	1	Vehicle colour:Neptune blue[253/A]
1	65746700EZ	Fairing,rh.	1	Vehicle colour:Technical grey[742/B]
1	65746700GZ	Fairing,rh.	1	Vehicle colour:Yellow metallic[952/A]
1	65746700XB	Fairing,rh.	1	Vehicle colour:Cult white[553]
2	860536	Hex socket screw	1	
3	184142	Spring plate	1	
4	657466	Fairing,lh.	1	
4	6574660090	Fairing,lh.	1	Vehicle colour:Shiny Black[94]
4	65746600DN	Fairing,lh.	1	Vehicle colour:Neptune blue[253/A]
4	65746600EZ	Fairing,lh.	1	Vehicle colour:Technical grey[742/B]
4	65746600GZ	Fairing,lh.	1	Vehicle colour:Yellow metallic[952/A]
4	65746600XB	Fairing,lh.	1	Vehicle colour:Cult white[553]
5	860536	Hex socket screw	1	
6	184142	Spring plate	1	
7	85645200XH1	RH Covers,gray Phantom	1	
8	85645300XH1	Left closing Phantom Grey	1	
9	664303	Right side metallic retina	1	
10	664305	Left side metallic retina	1	
11	664454	Washer	6	
12	856454	Blank Underpanel	1	
12	8564540090	Underpanel, black	1	

Group	Frame - Plastic parts - Coachwork
Code	02.33
Description	Wheel huosing - Mudguard
Service	1



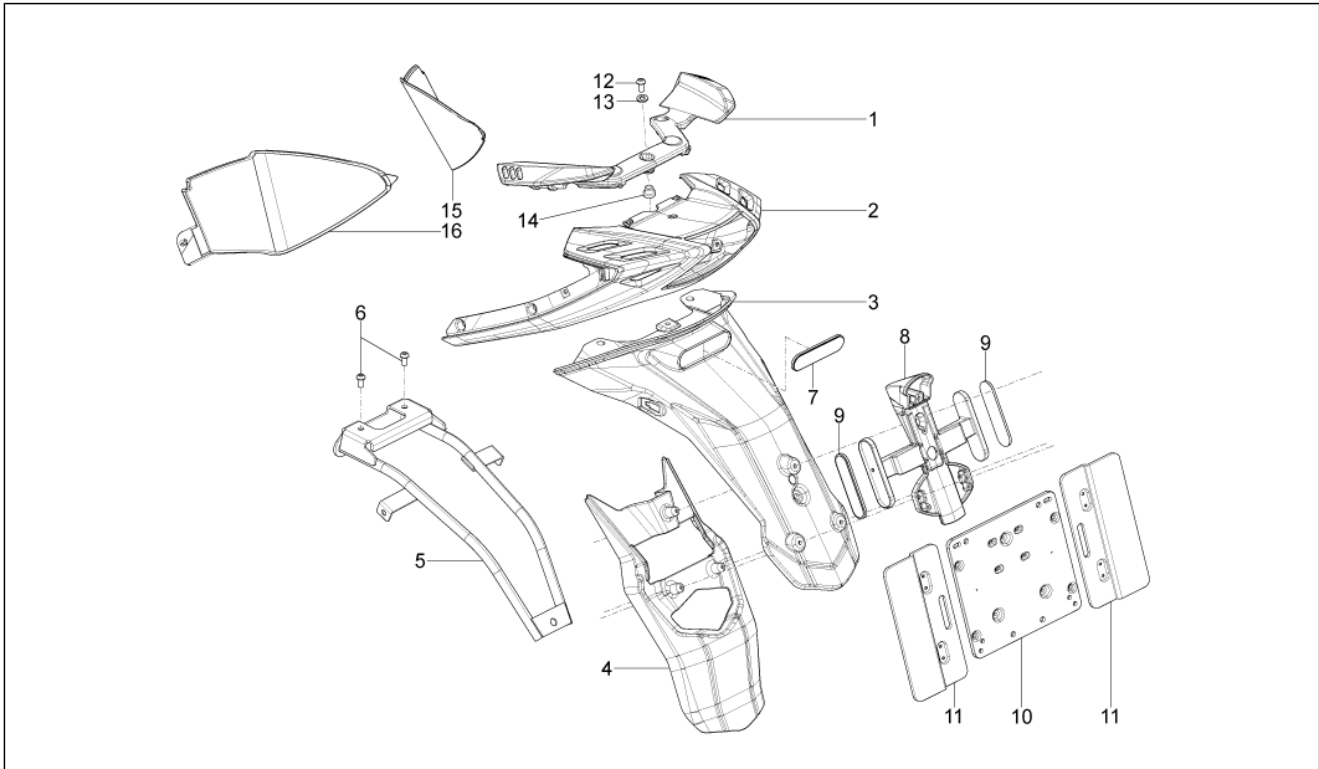
Pos.	Code	Description	Qty	Variants
1	66609100XH1	Front mudguard	1	
2	272836	Screw M6x16	2	
3	254485	Spring plate M6	2	
4	575249	Screw with shank M6	4	
5	65747500XH1	Rear mudguard	1	
6	67207000XH1	Wheel compartment	1	
7	270723	Self tapping screw	10	
8	575249	Screw with shank M6	3	

Group	Frame - Plastic parts - Coachwork
Code	02.34
Description	Helmet huosing - Undersaddle
Service	1



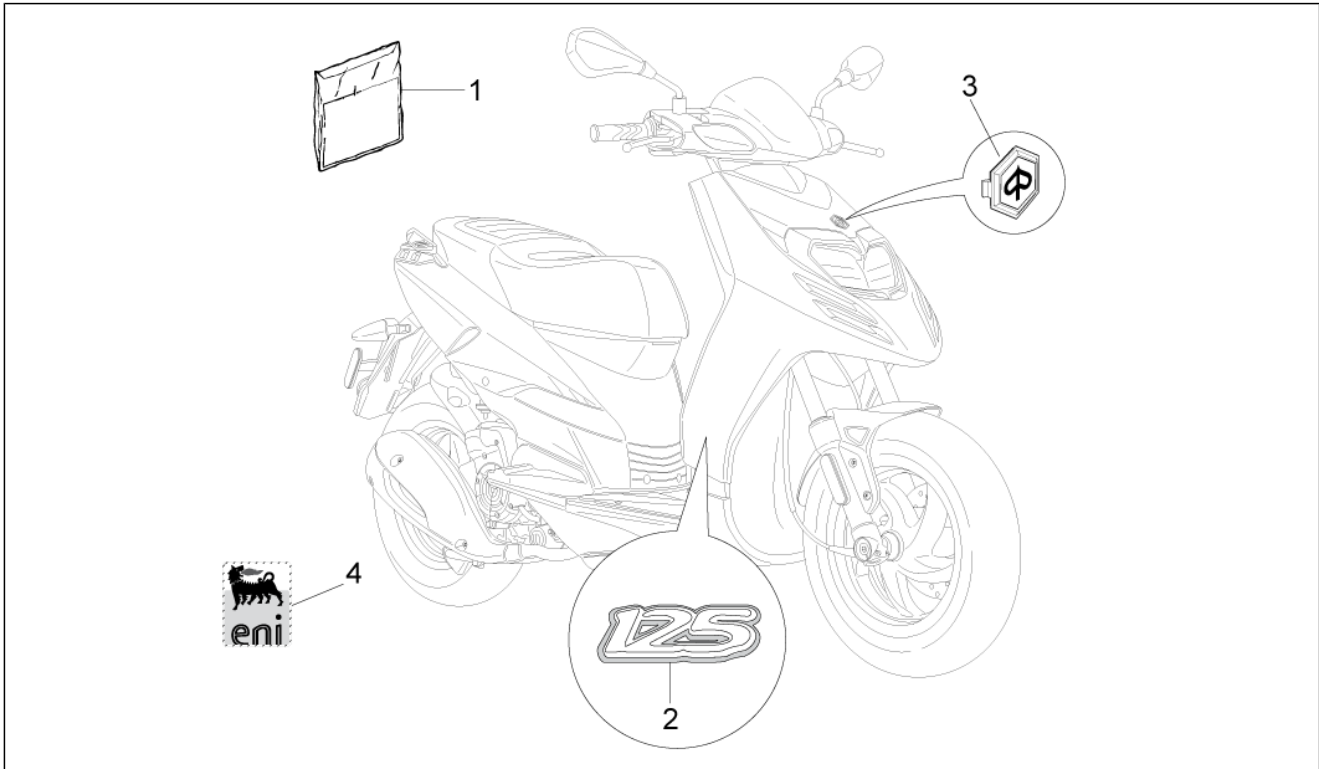
Pos.	Code	Description	Qty	Variants
1	67219000XH1	Helmet compartment	1	
2	575249	Screw with shank M6	2	
3	259372	Self tapping screw M4,2x25	3	
4	184142	Spring plate	4	
5	85299000XH1	Battery cover	1	
6	259349	Screw M4,2x13	3	
7	85270000XH1	Inspection cover, grey	1	
8	890103	Oil tank compartment cover	1	

Group	Frame - Plastic parts - Coachwork
Code	02.37
Description	Rear cover - Splash guard
Service	1



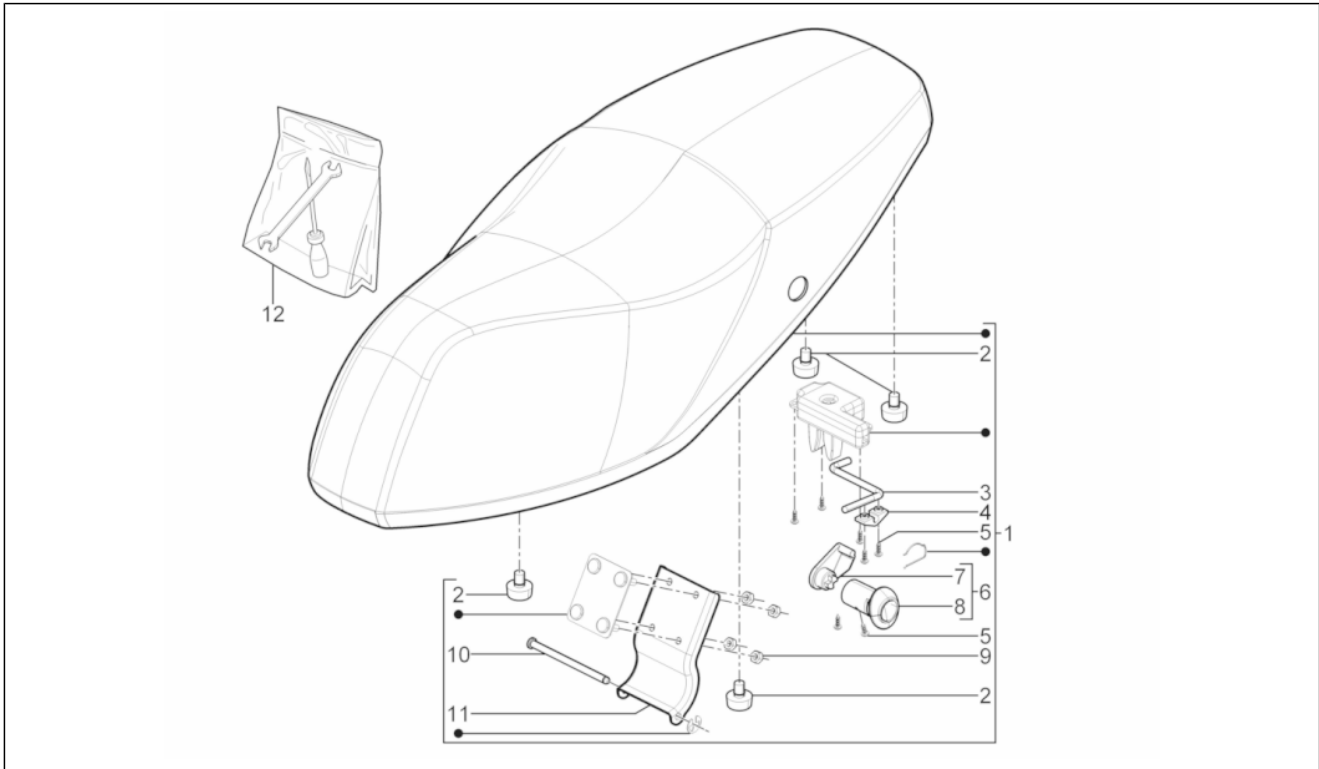
Pos.	Code	Description	Qty	Variants
1	657472	Passenger handle	1	
1	6574720090	Passenger handle	1	
2	65746900XH1	Fairings rear closing	1	
3	65747300XH1	Rear splash guard	1	
4	664310	Splash guard extension	1	
5	664434	Licence plate support sub-frame	1	
6	582428	Hex socket screw	2	
7	582058	Rear retroreflector	1	
8	642018	Number plate holder support	1	
9	293556	Lateral reflector	2	
10	584884	Number plate holder	1	
11	584877	Number-plate extension	2	
12	564606	Hex socket screw	3	
13	003058	Plain washer 15x8,4x1,5	3	
14	856459	Bush	3	
15	672186	RH rear wall	1	
16	672185	LH rear wall	1	

Group	Frame - Plastic parts - Coachwork
Code	02.38
Description	Plates - Emblems
Service	1



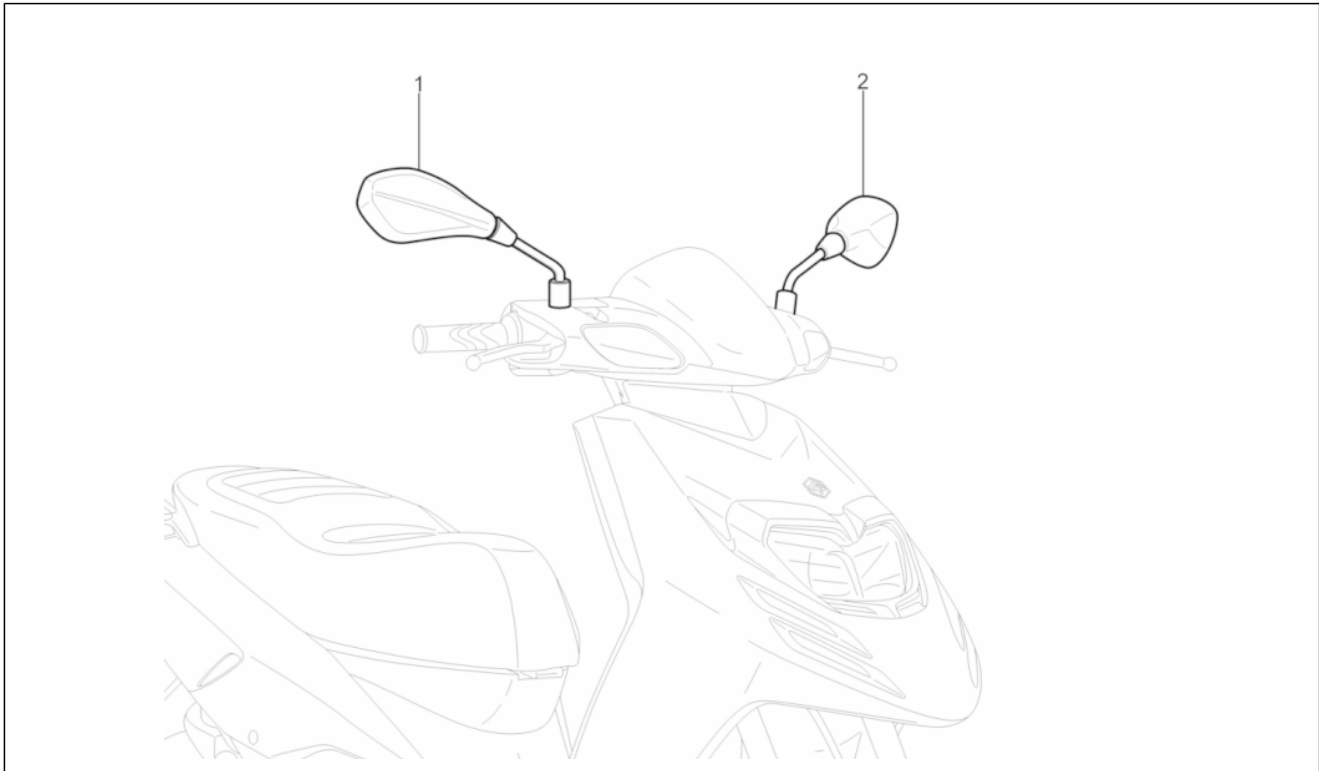
Pos.	Code	Description	Qty	Variants
1	657476	Trimmings kit	1	Vehicle colour:Yellow metallic[952/A]
1	657476	Trimmings kit	1	Vehicle colour:Shiny Black[94]
1	672559	Trimmings kit	1	Vehicle colour:Technical grey[742/B]
1	672560	Trimmings kit	1	Vehicle colour:Cult white[553]
1	675125	Trimmings kit	1	Vehicle colour:Neptune blue[253/A]
2	672562	"125" name plate	2	
3	664456	Piaggio shield	1	
4	895839	""Eni"" label"	2	

Group	Frame - Plastic parts - Coachwork
Code	02.39
Description	Saddle/seats
Service	1



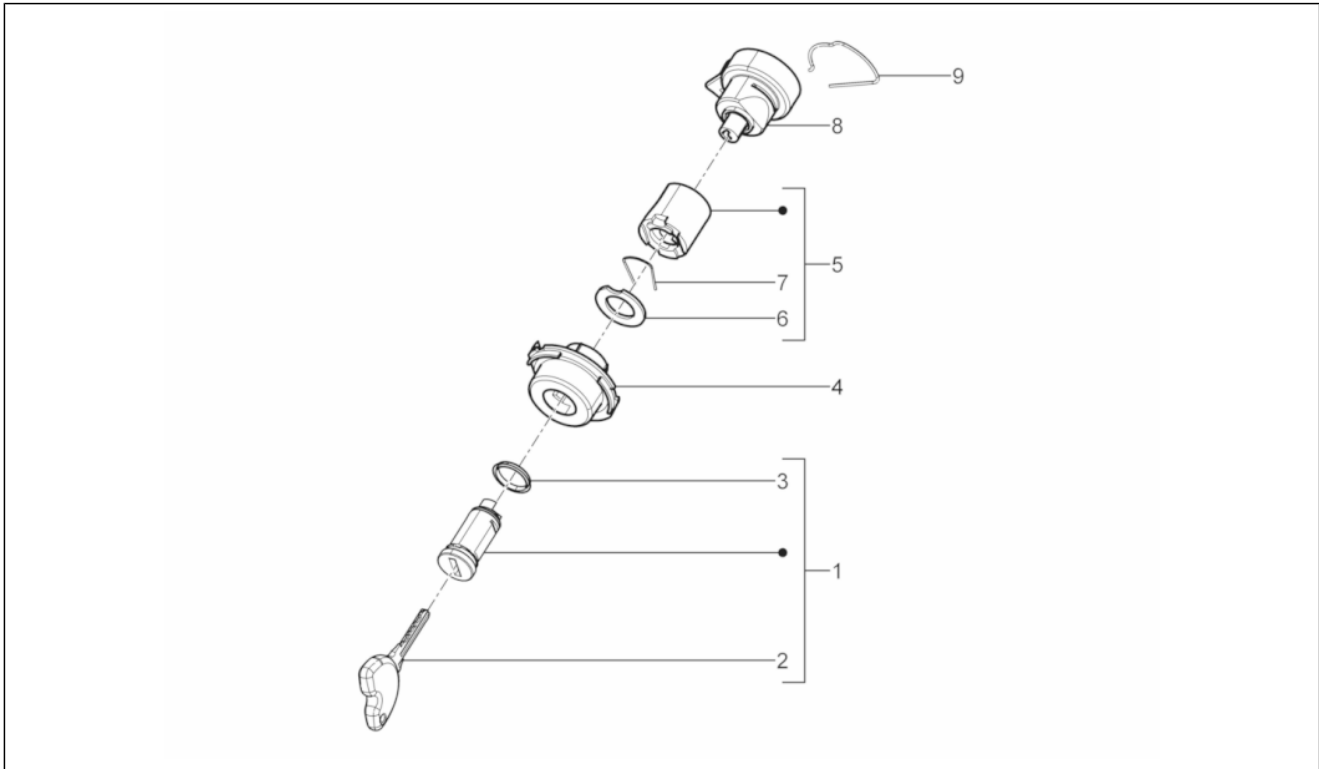
Pos.	Code	Description	Qty	Variants
1	657471	Saddle assembly	1	
2	577492	Pad	4	
3	856462	Lock lever	1	
4	296743	Bracket	1	
5	268596	Self tapping screw D4x13	7	
6	672327	Saddle lock hardware kit	1	
7	856463	Eccentric tightening	1	
8	652697	Lock body	1	
9	269136	Nut	4	
10	856466	Pin	1	
11	856465	Saddle hinge	1	
12	601645	Toolkit	1	

Group	Frame - Plastic parts - Coachwork
Code	02.45
Description	Driving mirror/s
Service	1



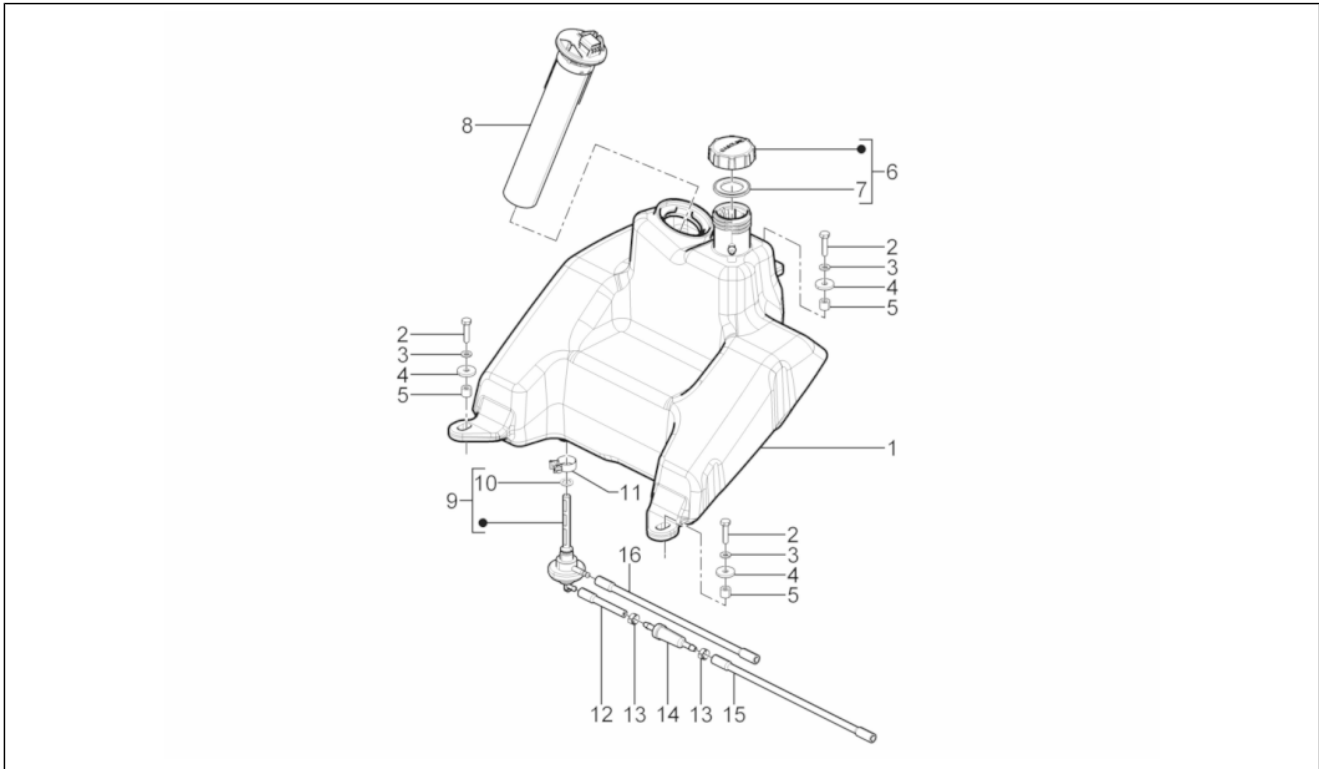
Pos.	Code	Description	Qty	Variants
1	CM180601	RH rearview mirror	1	
2	CM180602	LH rearview mirror	1	

Group	Frame - Plastic parts - Coachwork
Code	02.46
Description	Locks
Service	1



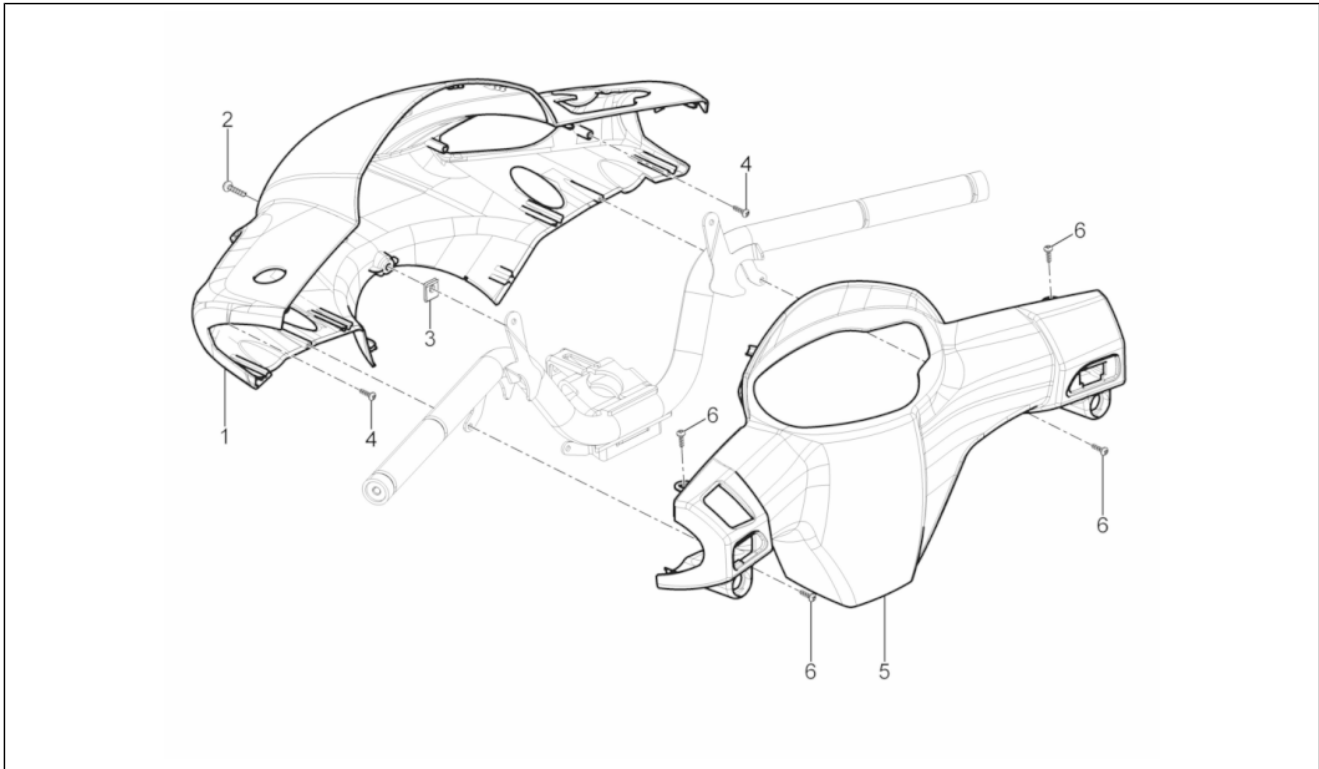
Pos.	Code	Description	Qty	Variants
1	573512	Cylinder set	1	
2	664044	Key	2	
3	298731	Gasket ring	2	
4	298581	Lock body	1	
5	298903	Complete lock block	1	
6	298594	Flat washer	1	
7	298838	Cylinder retainer spring	1	
8	580621	Key switch	1	
9	253937	Spring	1	

Group	Frame - Plastic parts - Coachwork
Code	02.47
Description	Fuel tank
Service	1



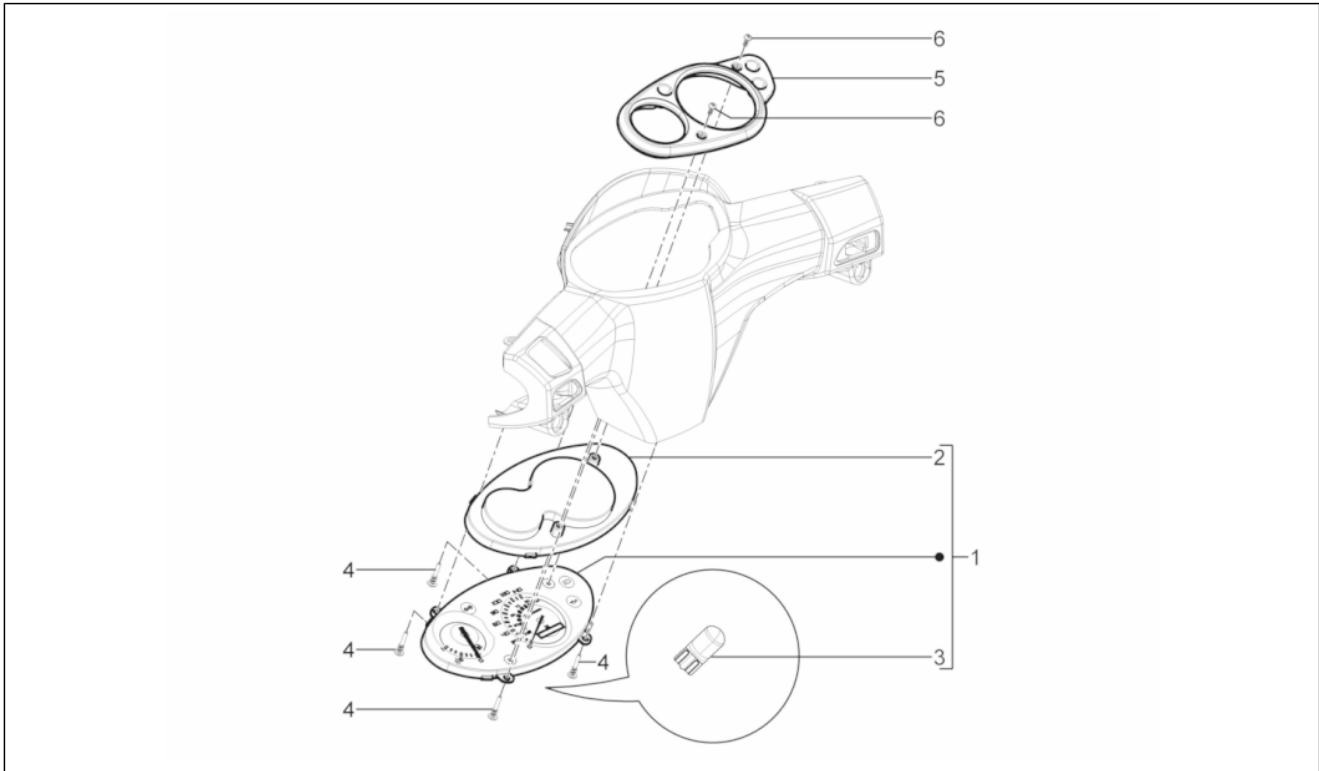
Pos.	Code	Description	Qty	Variants
1	657507	Fuel tank	1	
2	031092	screw M6x25	3	
3	016406	Spring washer 6,4x11,8x1	3	
4	268304	Flat washer 6,5x21	3	
5	231027	Spacer	3	
6	259832	Tank cap	1	
7	258160	Tank cover gasket	1	
8	CM025711	Fuel level probe	1	
9	575321	Depression tap	1	
10	196868	Gasket	1	
11	577557	Hose clamp	1	
12	CM027914	pipe 3,25x8x70	1	
13	CM001912	Hose clamp	2	
14	624522	Vacuum filter	1	
15	CM027916	pipe 3,25x8x420	1	
16	CM006103	pipe 4x9x350	1	

Group	Handlebars/Steering
Code	03.01
Description	Handlebars coverages
Service	1



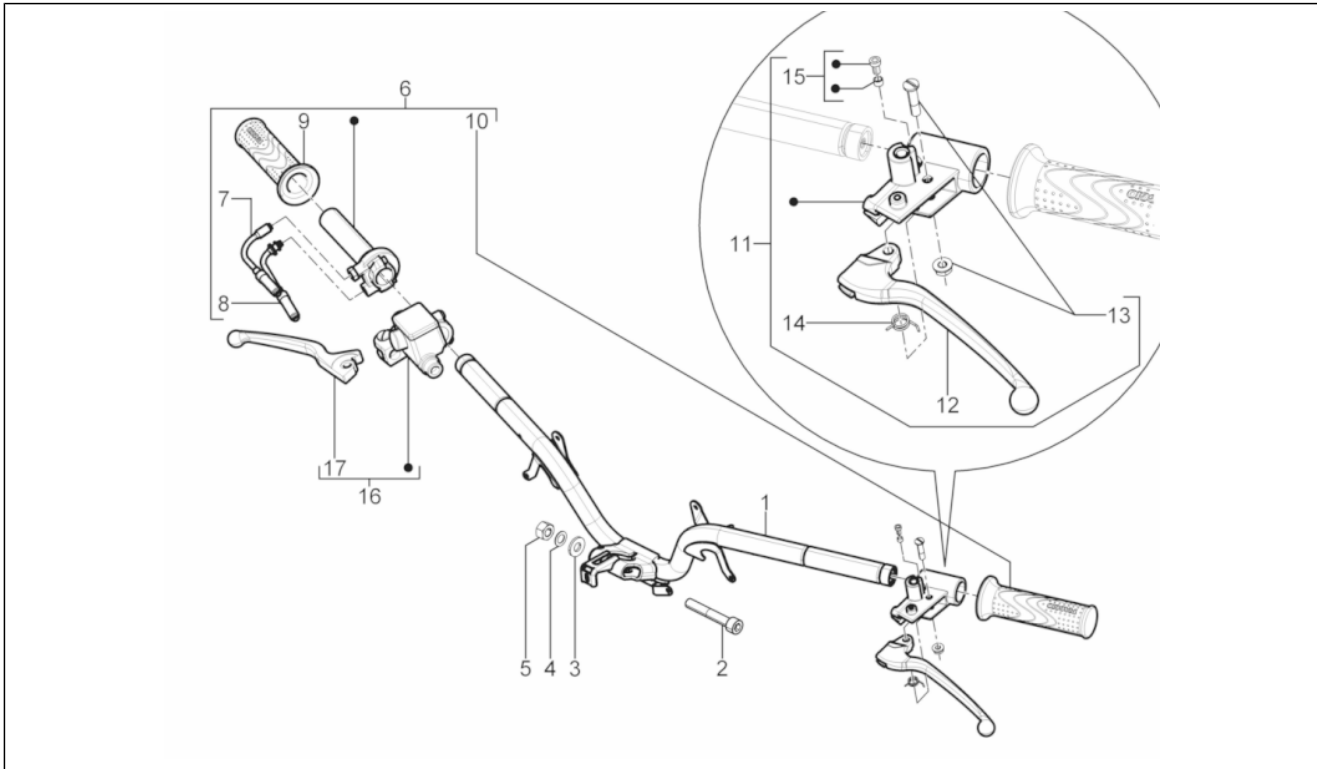
Pos.	Code	Description	Qty	Variants
1	657470	Front handlebars cover	1	
1	6574700090	Front handlebars cover	1	
2	008457	Self-tap screw M4,2x19	1	
3	CM017409	Spring plate	1	
4	267115	Self tapping screw M4x16	2	
5	853050	Rear handlebars cover	1	
5	8530500090	Rear handlebars cover	1	
6	267115	Self tapping screw M4x16	4	

Group	Handlebars/Steering
Code	03.02
Description	Meter combination - Cruscotto
Service	1



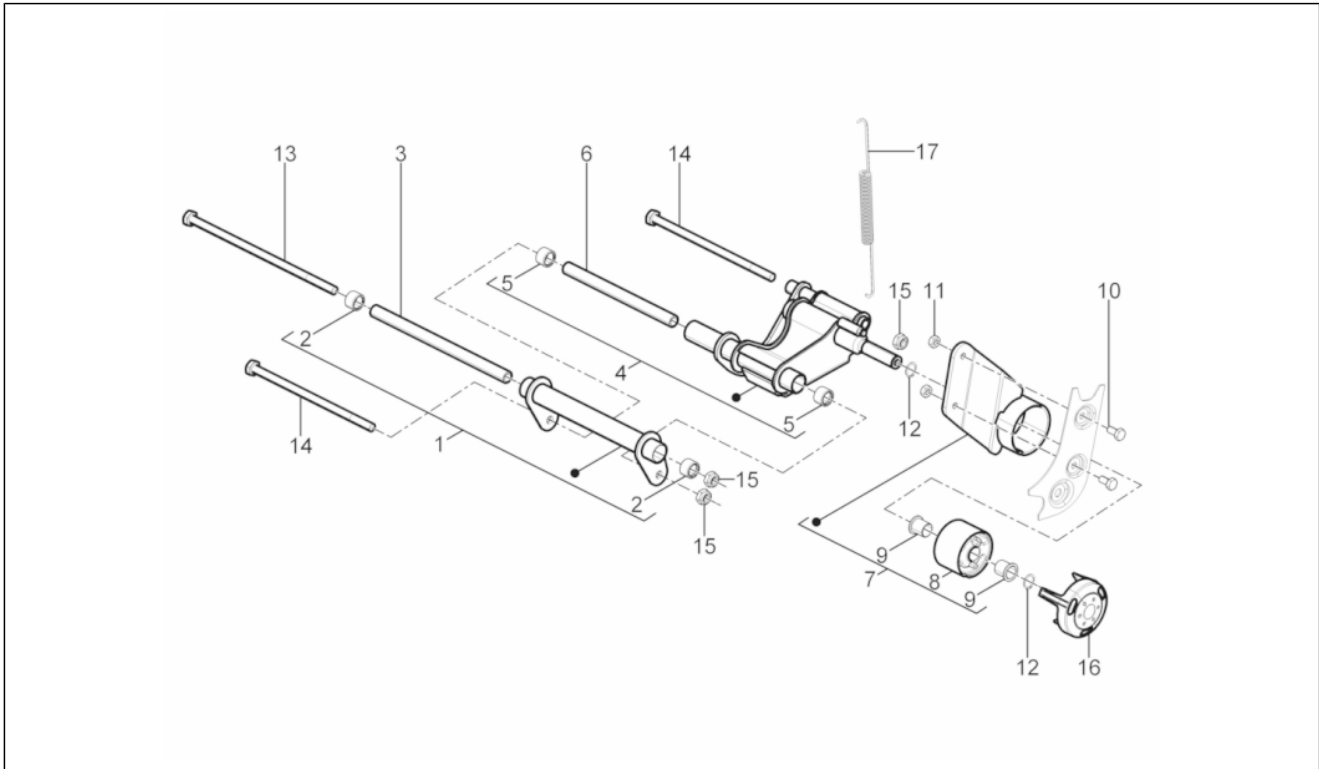
Pos.	Code	Description	Qty	Variants
1	642129	Meter combination	1	
2	856440	Instrument panel glass	1	
3	164634	12v-1.2w bulb	5	
4	268596	Self tapping screw D4x13	4	
5	642019	Dashboard panel blank	1	
6	860535	Hex socket screw	2	

Group	Handlebars/Steering
Code	03.06
Description	Handlebars - Master cil.
Service	1



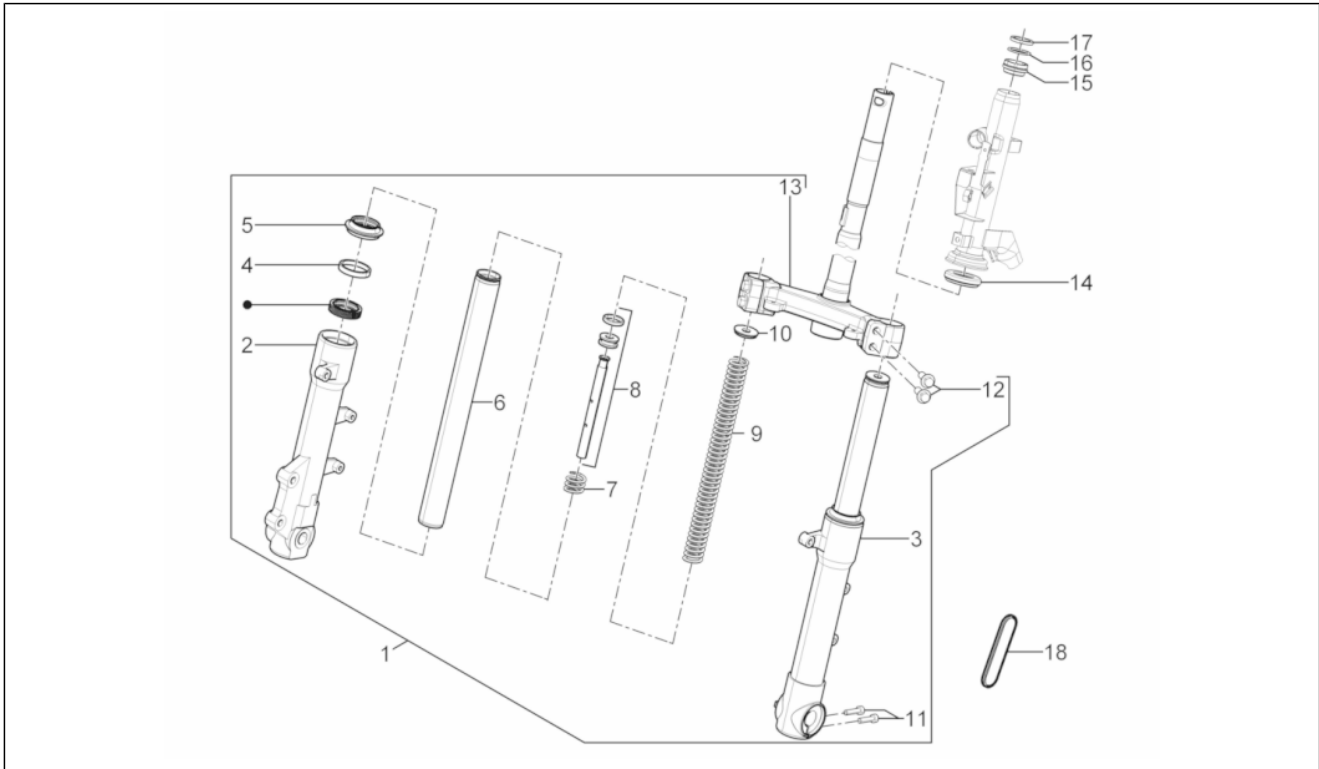
Pos.	Code	Description	Qty	Variants
1	853047	Handlebar	1	
2	655554	Hex socket screw M10x65	1	
3	178790	Flat washer 22x10,3x2,5	1	
3	674424	Flat washer	1	
4	012543	Flat elastic washer with internal tothing 17x10,3x2	1	
5	015330	Nut M10	1	
6	CM079734	Throttle control sleeve assembly	1	
7	649602	Opening throttle cable	1	
8	649603	Closure throttle cable	1	
9	CM084204	Grip, r.h.	1	
10	CM084203	Grip, l.h.	1	
11	CM063805	Sleeve with rear brake lever	1	
12	564681	Lever	1	
13	265249	screw	1	
14	267948	Spring	1	
15	123394	Screw with bushing	1	
16	CM064303	Brake m.cyl.	1	
16	CM064305	(Heng Tong) Brake pump	1	
17	646832	Brake lever (Heng Tong)	1	

Group	Suspensions - Wheels
Code	04.01
Description	Swinging arm
Service	1



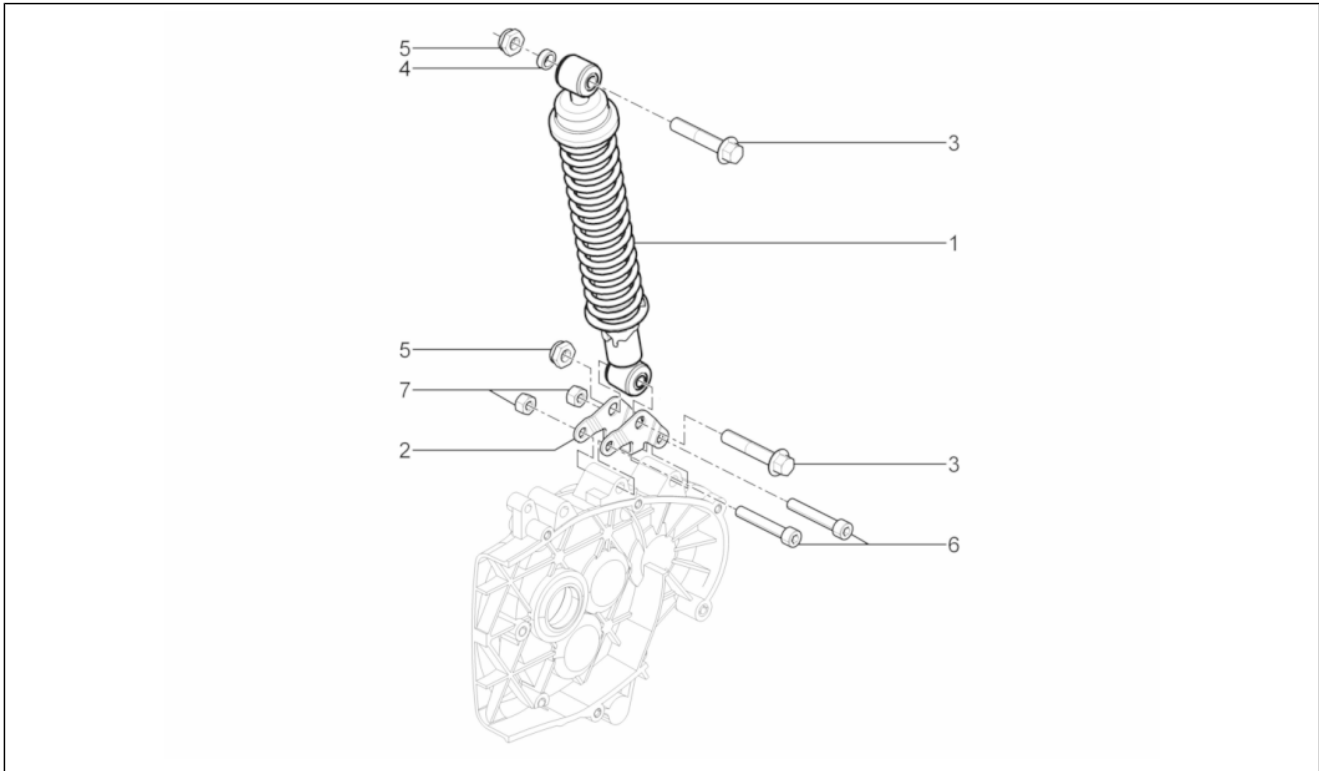
Pos.	Code	Description	Qty	Variants
1	597499	Chassis side swinging arm	1	
2	56127R	Roller cage	2	
3	CM067803	Spacer L=228 mm	1	
4	860902	Engine side swinging arm	1	
5	597374	Roller cage	2	
6	CM067801	Spacer L=183 mm	1	
7	664219	Silent block support bracket	1	
8	272750	Silent-block	1	
9	273460	Bush	2	
10	295409	Hex screw M8x2,5	2	
11	272176	Nut	2	
12	006416	Circlip	2	
13	563977	Hex screw M10x245	1	
14	271807	Hex screw M10x202	2	
15	002440	Self locking nut M10	3	
16	597016	Swinging arm cover	1	
17	856446	Spring	1	

Group	Suspensions - Wheels
Code	04.02
Description	Fork/steering tube - Steering bearing unit
Service	1



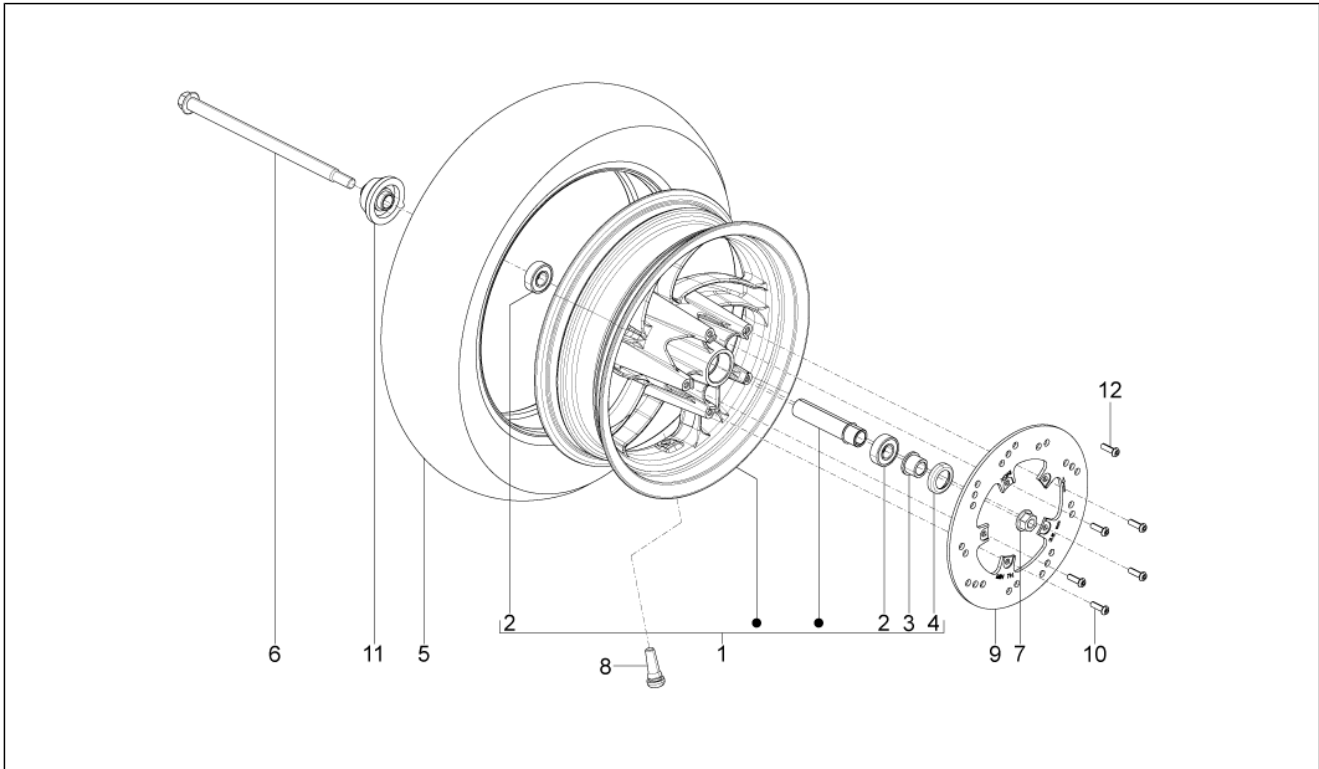
Pos.	Code	Description	Qty	Variants
1	666879	Stirrup assy.	1	
2	666261	RH sleeve	1	
3	666262	LH sleeve	1	
4	649952	Oil seal	2	
5	600490	Dust cover	2	
6	858319	Fork stanchion	2	
7	858322	Secondary Spring	2	
8	858321	Fork piston	2	
9	858320	Fork spring	2	
10	600486	Fork tube cap	2	
10	600495	Cover	2	
11	601401	screw	2	
12	600482	Screw w/ flange	4	
13	600496	Sterms bracket	1	
13	858318	Steering column tube	1	
14	650075	Lower steering bearing	1	
15	650693	Upper thrust ring	1	
16	0037514	Washer of the steering	1	
17	0111094	Steering tube ring nut	1	
18	664045	Lateral reflector	1	

Group	Suspensions - Wheels
Code	04.10
Description	Rear suspension - Shock absorber/s
Service	1



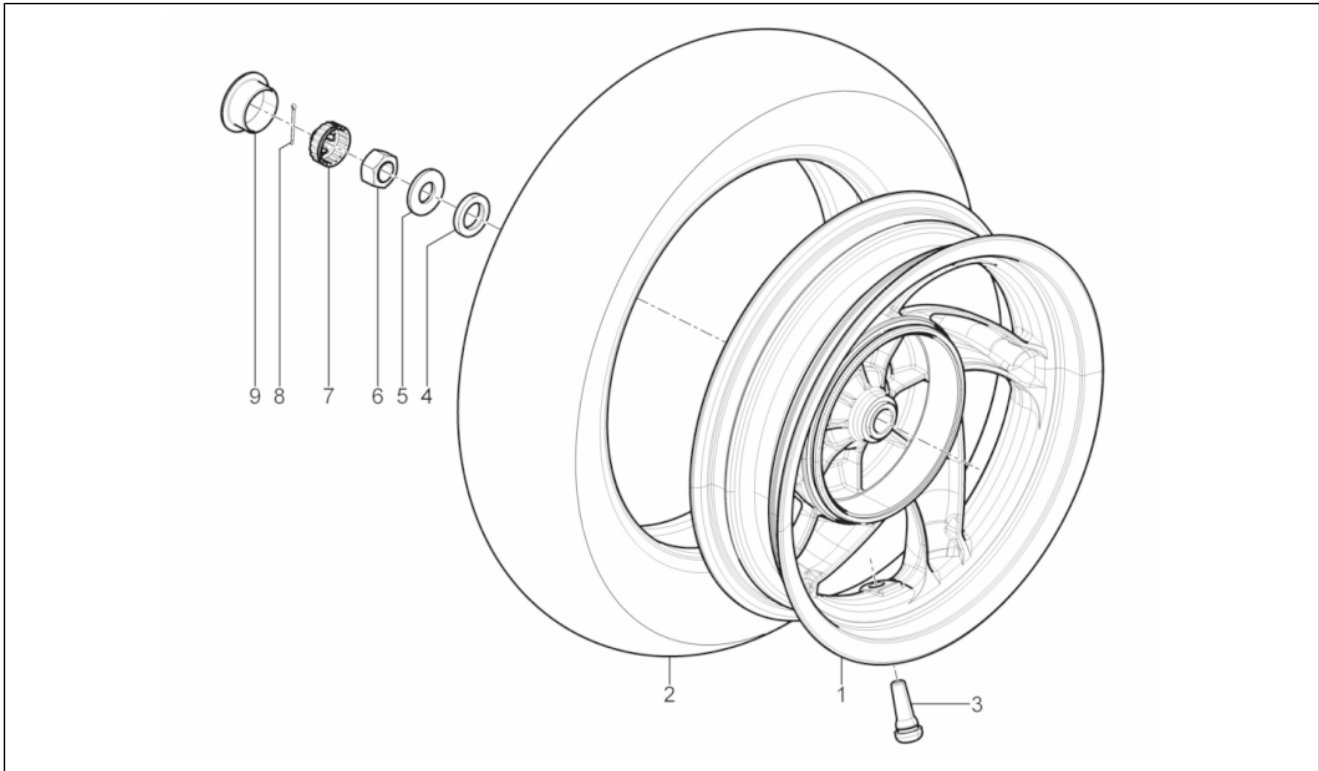
Pos.	Code	Description	Qty	Variants
1	666822	Complete rear shock absorber	1	
2	666821	Shock absorber connection bracket	1	
3	268158	Screw w/ flange M10	2	
4	666823	Spacer	1	
5	002440	Self locking nut M10	2	
6	844483	Hex socket screw M8x50	2	
7	020008	Nut M8	2	

Group	Suspensions - Wheels
Code	04.11
Description	Front wheel
Service	1



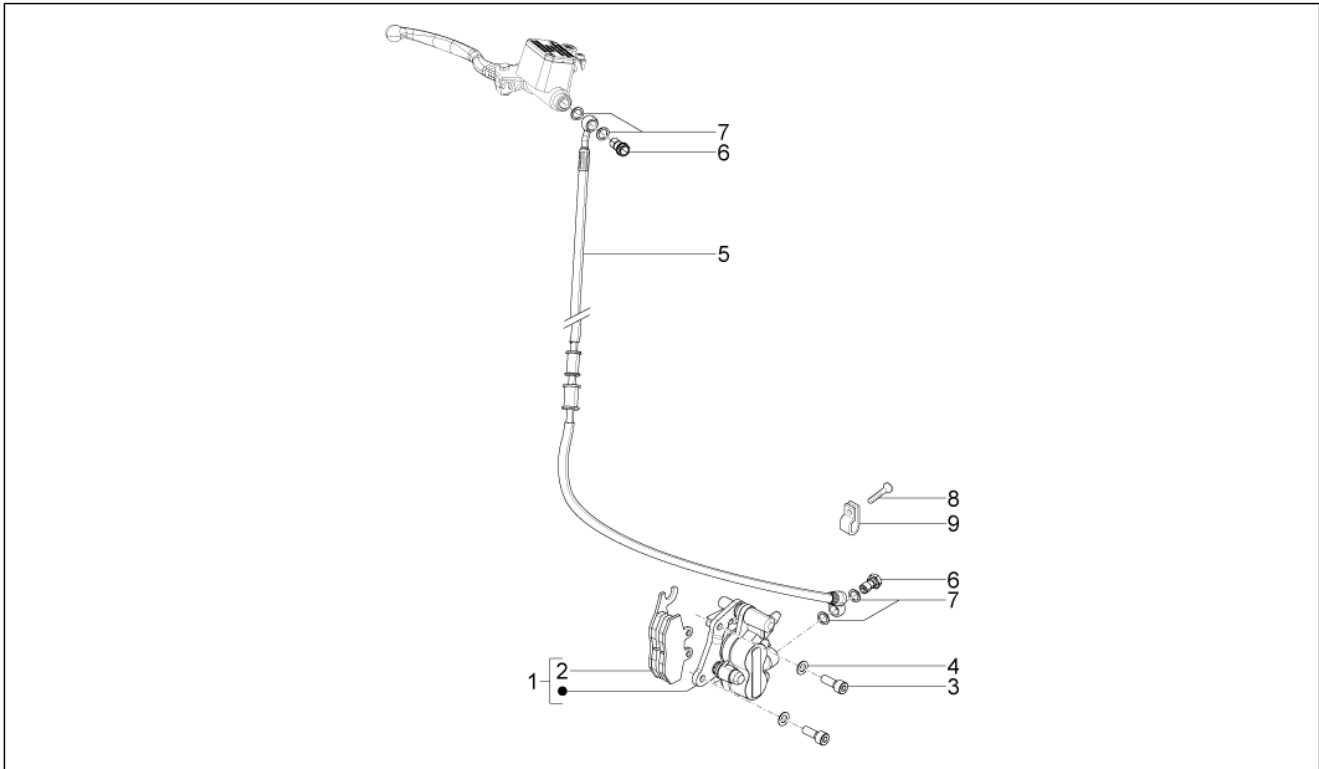
Pos.	Code	Description	Qty	Variants
1	666002	Front wheel	1	
2	327187	Bearing	2	
3	564527	Front wheel spacer	1	
4	564475	Cup	1	
5	666005	Pneumatico (Maxxis) 120/80-12"	1	
5	666719	Pneumatico (Vee Rubber) 120/80-12"	1	
6	853058	Front wheel axle	1	
7	271740	Nut M12	1	
8	270991	Tubeless tyre valve	1	
9	666761	Brake disc	1	
10	271147	Hex socket screw M6x20	5	
11	56434R	Kilometre counter movement socket	1	
12	709674	Hex socket screw M6x20	2	

Group	Suspensions - Wheels
Code	04.12
Description	Rear wheel
Service	1



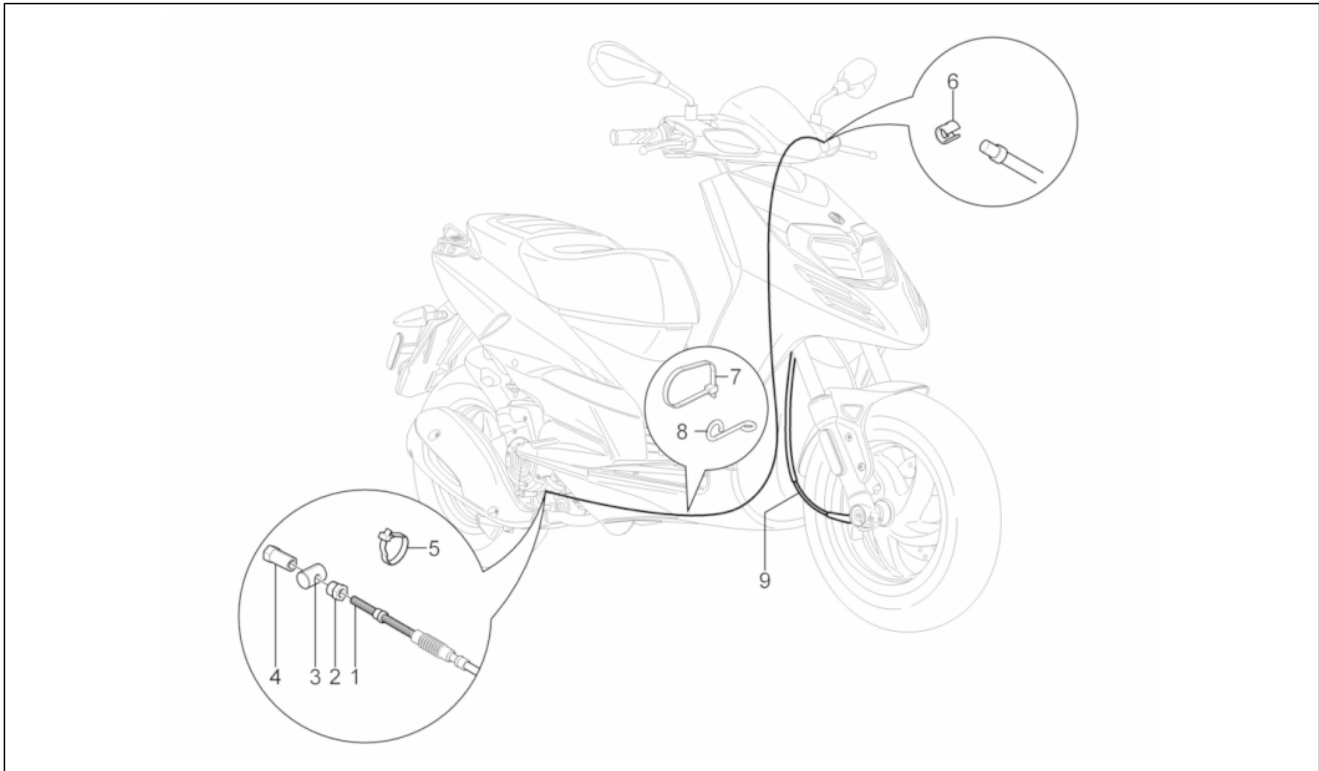
Pos.	Code	Description	Qty	Variants
1	666007	Rear wheel rim	1	
2	666006	Pneumatico (Maxxis) 130/80-12"	1	
2	666720	Pneumatico (Vee Rubber) 130/80-12"	1	
3	270991	Tubeless tyre valve	1	
4	601205	Spacer	1	
5	273099	Plain washer 34,8x16,2x3	1	
5	674425	Flat washer	1	
6	563728	Nut M16x13	1	
7	194423	Nut hold cap	1	
8	012789	Split pin	1	
9	197983	Cover	1	

Group	Braking system - Transmissions
Code	05.01
Description	Brakes pipes - Calipers
Service	1



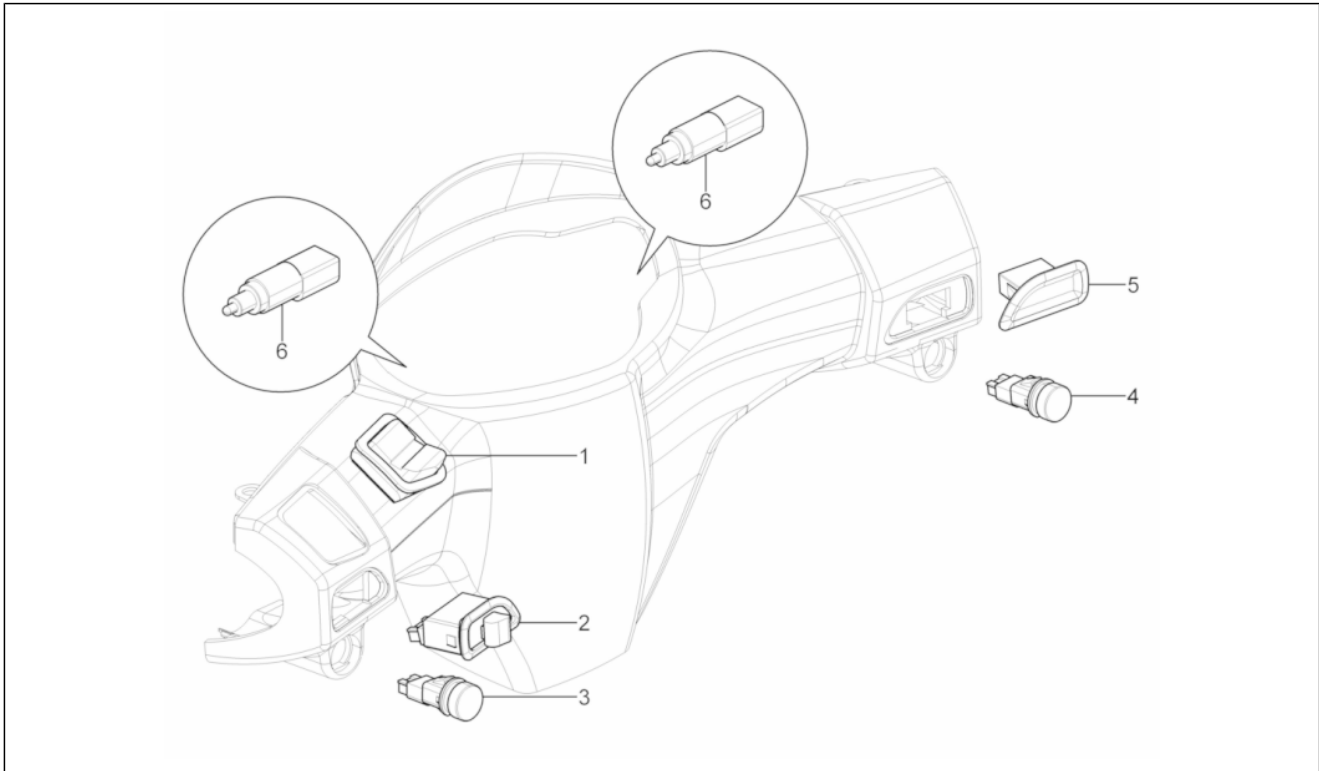
Pos.	Code	Description	Qty	Variants
1	666008	Brake hydraulic pin	1	
2	650983	Brake pads kit	1	
3	598919	screw	2	
4	709047	Spring washer	2	
5	858543	Brake fluid line	1	
6	651502	Oil pipe screw M10x18	2	
7	127927	Gasket	4	
8	289731	Screw w/ flange M6x30	1	
9	482291	Hose clamp	1	

Group	Braking system - Transmissions
Code	05.03
Description	Transmissions
Service	1



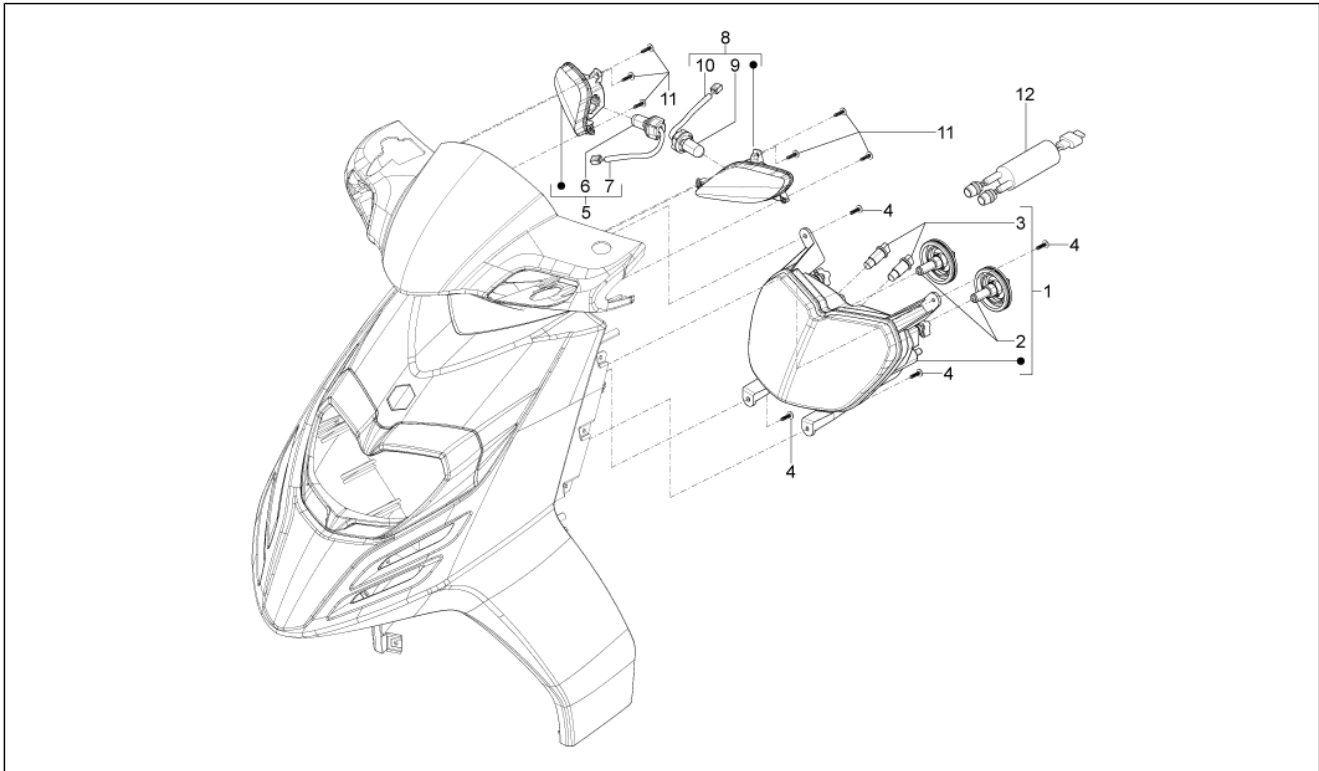
Pos.	Code	Description	Qty	Variants
1	666930	Rear brake transmission	1	
2	598918	Registro freno posteriore	1	
3	179640	Pin	1	
4	270310	Registro freno posteriore	1	
5	145298	Lock-strap L=180mm	1	
6	266040	Bush	1	
7	257134	Lock-strap L=277	2	
8	666929	Fairlead	1	
9	858542	Speedometer transmission	1	

Group	Electrical system
Code	06.01
Description	Selectors - Switches - Buttons
Service	1



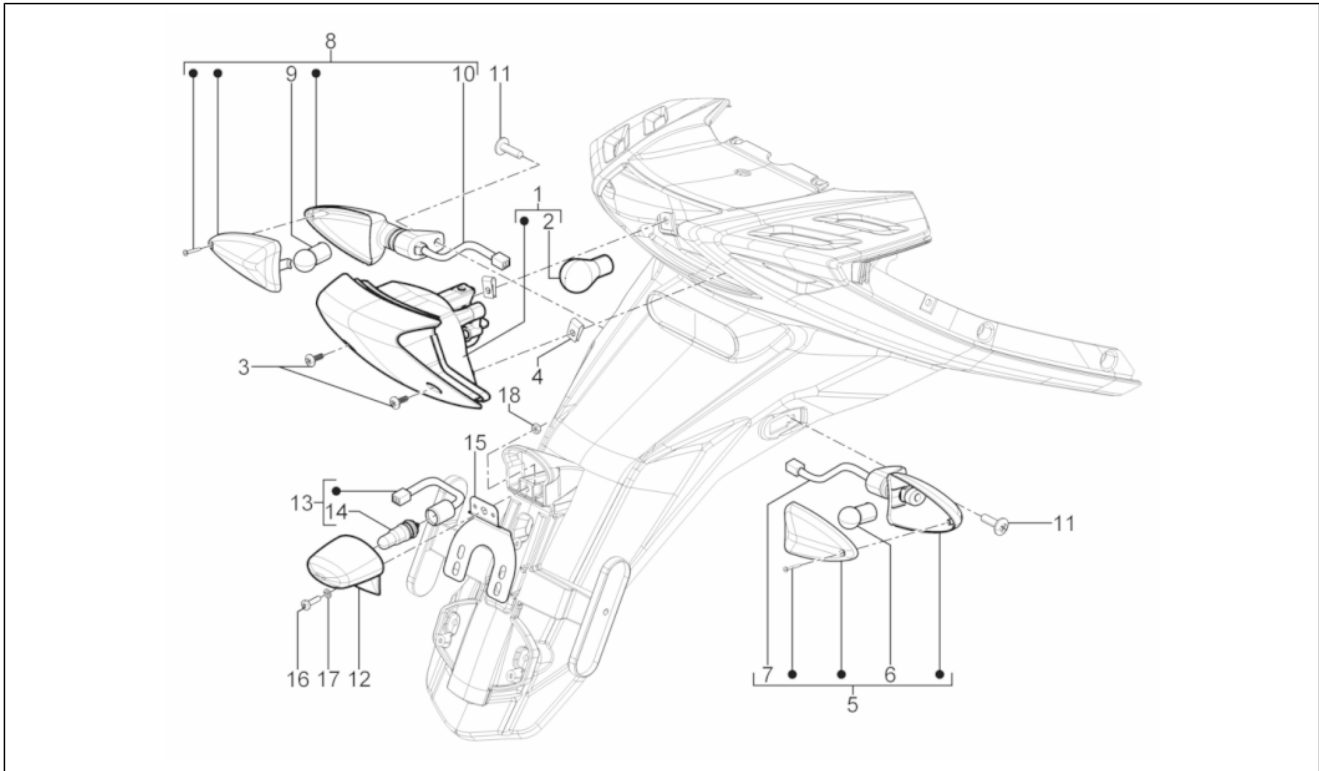
Pos.	Code	Description	Qty	Variants
1	294341	Headlight selector	1	
2	58056R	Turn signal lamps switch	1	
3	58058R	Horn button	1	
4	58057R	Start pushbutton	1	
5	584426	Light switch seat cover	1	
6	580953	stop Button	2	
6	583575	stop Button	2	

Group	Electrical system
Code	06.03
Description	Front headlamps - Turn signal lamps
Service	1



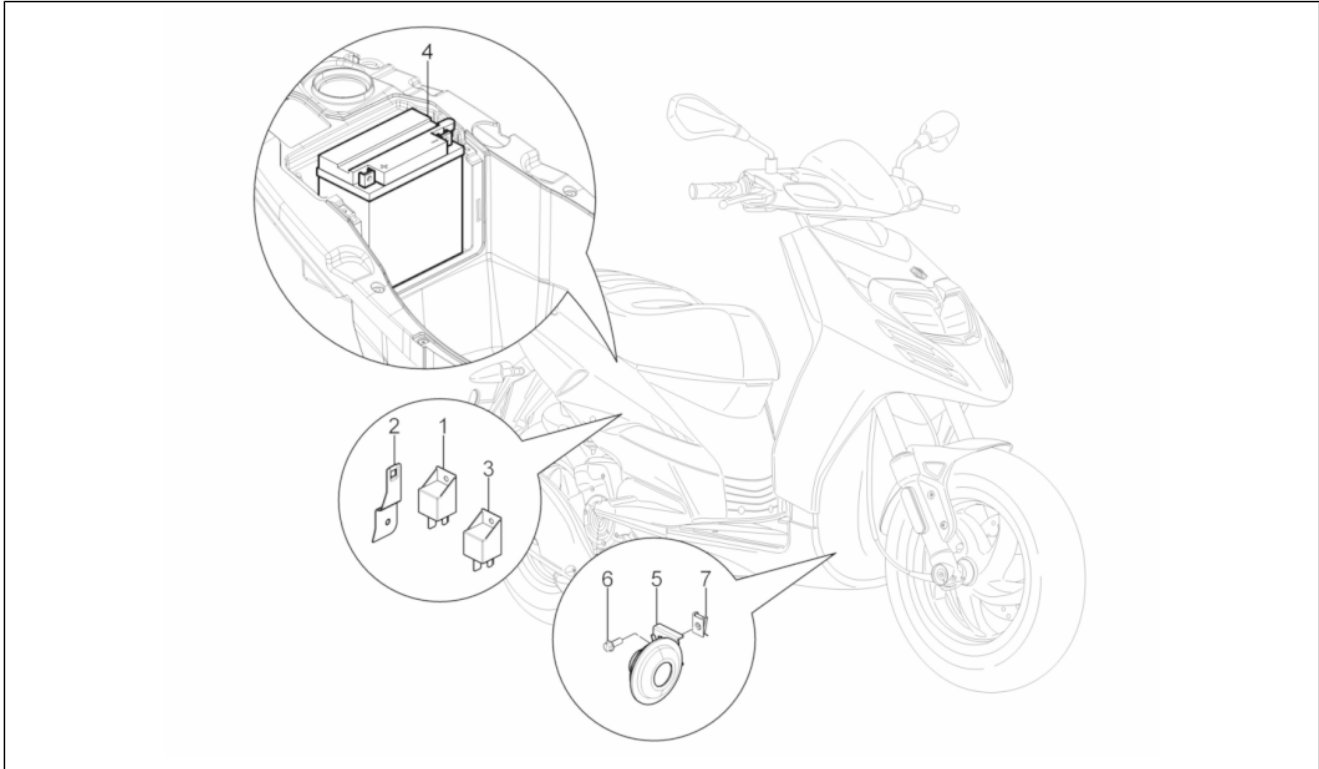
Pos.	Code	Description	Qty	Variants
1	642021	Front headlight	1	
2	00H01004131	Lamp H8	2	
3	294131	Lamp 12V-3W	2	
4	270723	Self tapping screw	4	
5	642025	Front right turn indicator	1	
6	584332	Lamp 12V-10W	1	
7	664360	Indicator cable assembly	1	
8	642026	Front left turn indicator	1	
9	584332	Lamp 12V-10W	1	
10	664362	Indicator cable assembly	1	
11	664170	screw	6	
12	664379	Headlight cable assembly	1	

Group	Electrical system
Code	06.04
Description	Rear headlamps - Turn signal lamps
Service	1



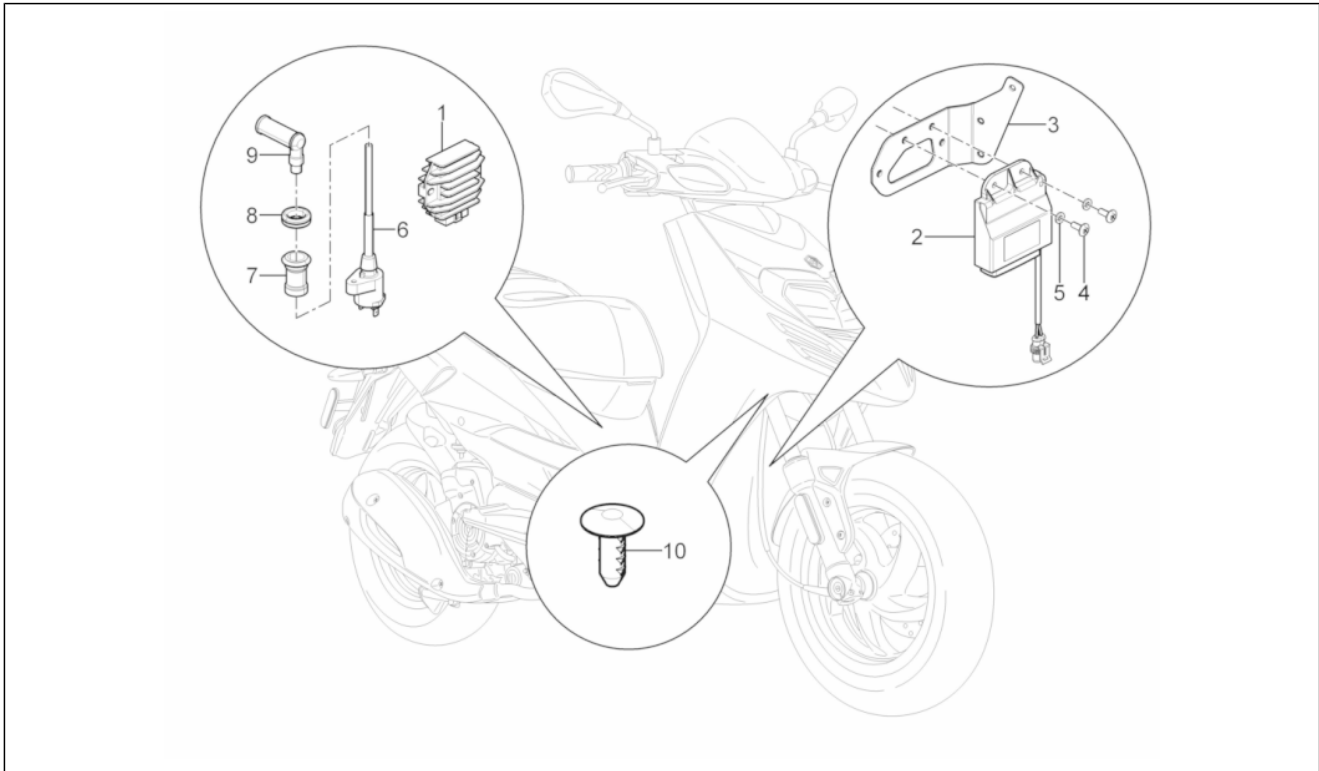
Pos.	Code	Description	Qty	Variants
1	642022	Taillight	1	
2	129953	Lamp 12V-21/5W	1	
3	259349	Screw M4,2x13	2	
3	664457	ZPF screw	2	
4	184142	Spring plate	2	
5	642023	Right rear turn indicator	1	
6	584332	Lamp 12V-10W	1	
7	664359	Right indicator cable assembly	1	
8	642024	Left rear turn indicator	1	
9	584332	Lamp 12V-10W	1	
10	664361	Left indicator cable assembly	1	
11	259830	Metric screw M6x20	2	
12	858306	Number plate lamp	1	
13	858180	Plate light wiring	1	
14	292022	Lamp 12V-5W	1	
15	858334	License plate lamp bracket	1	
16	018591	screw M4x14	2	
17	016404	Flat washer 4,2x7,6x0,9	2	
18	020104	Nut M4	2	

Group	Electrical system
Code	06.05
Description	Remote control switches - Battery - Horn
Service	1



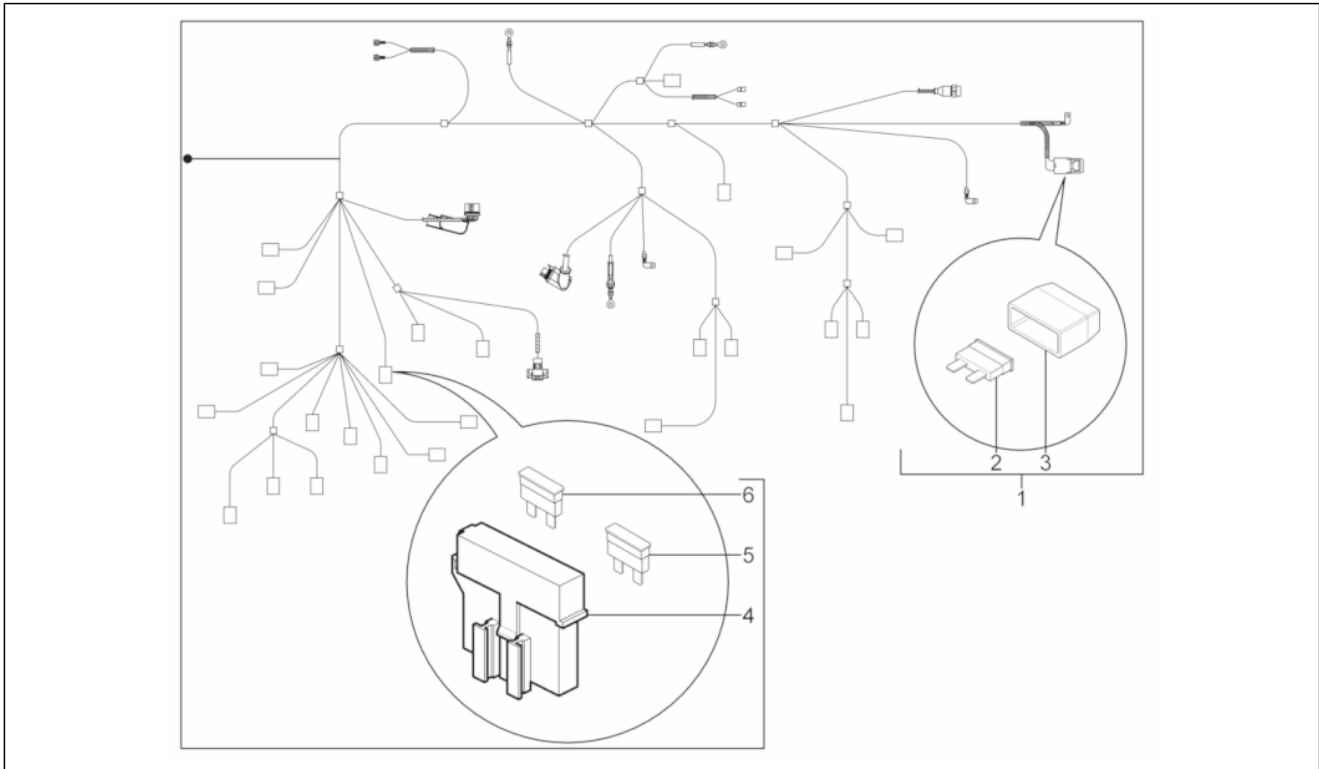
Pos.	Code	Description	Qty	Variants
1	58115R	Starter relay 12V-80A	1	
1	642318	Starter relay 12V-80A	1	
2	582042	Solenoid bracket	1	
3	294076	Rem. control switch 12V-30A	1	
4	584810	Battery 12V-9Ah	1	
5	58093R	Horn	1	
6	434541	Screw w/ flange M6x16	1	
7	254485	Spring plate M6	1	

Group	Electrical system
Code	06.06
Description	Voltage Regulators - Electronic Control Units (ecu) - H.T. Coil
Service	1



Pos.	Code	Description	Qty	Variants
1	58090R	Voltage regulator	1	
2	CM078307	CDI unit assy	1	
3	672173	Control unit sup. bracket	1	
4	272836	Screw M6x16	2	
5	016406	Spring washer 6,4x11,8x1	2	
6	58083R	Coil	1	
7	436919	Protection collar	1	
8	573052	Fairlead	1	
9	969348	Screened cap	1	
10	581142	Ambient temperature sensor	1	

Group	Electrical system
Code	06.08
Description	Main cable harness
Service	1



Pos.	Code	Description	Qty	Variants
1	642014	Cable harness	1	
1	642480	Cable harness	1	
2	580561	Fuse 20A	1	
3	290404	Cover	1	
4	580653	Fuse holder	1	
5	252945	Fuse 7,5A	1	
6	290860	Fuse 15A	1	