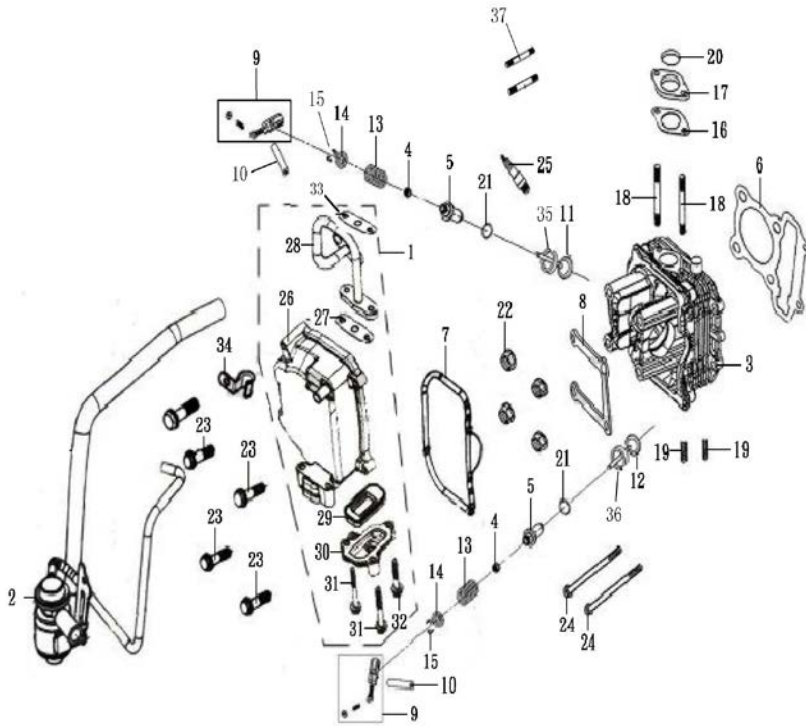


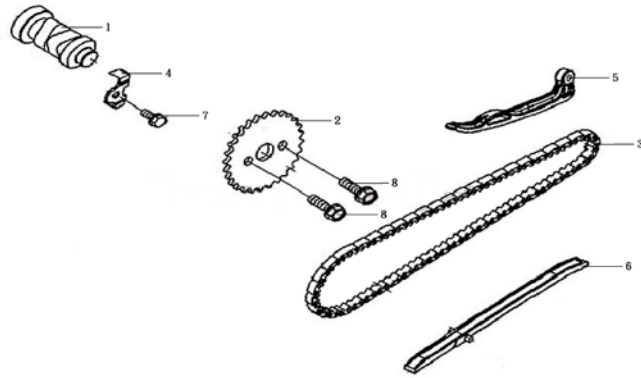
序号 No.	件号 Part No.	中文名称 Chinese	英文名称 Description	单位 Unit
1	3J3-21005-0000	风扇罩	FAN COVER COMP.	1
2	3J3-21001-0000	A罩	SHROUD A ASSY.	1
3	3J3-21003-0000	B罩	SHROUD B ASSY.	1
4	9168-ST4.8*15-H	自攻螺钉ST4.8×15	TAPPING SCREW ST4.8×15	6
5	9103-M6*25-C	螺栓M6×25	SH.FLANGE BOLT M6×25	4
7	3J3-21008-0000	补气控制管夹	BREATHER TUBE CLAMP	1



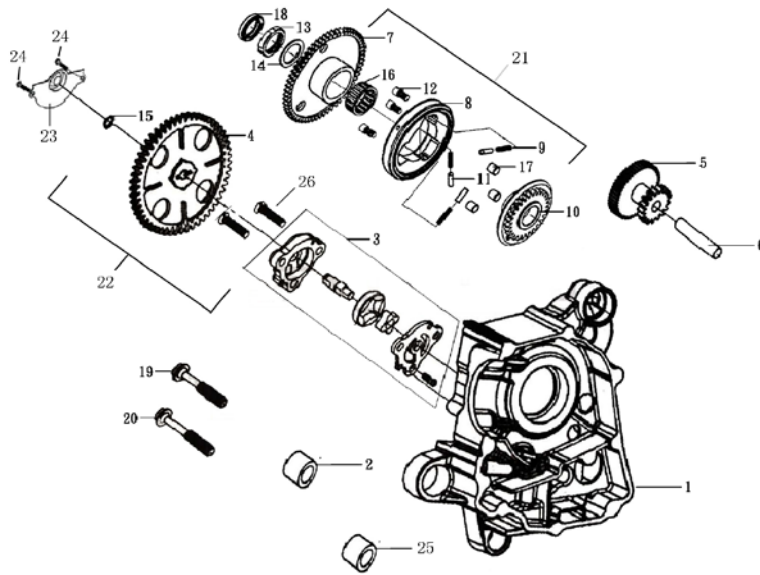
序号 No.	件号 Part No.	中文名称 Chinese	英文名称 Description	单位 Unit
1	3J3-01100-0000	气缸头盖分组件	CYLINDER HEAD COVER ASSY.	1
2	3J3-27200-0000	控制阀组件	A.I.C.V.ASSY.	1
3	3J3-02010-0000	气缸头分组件	CYLINDER HEAD COMP	1
4	3J3-03003-0000	气门油封	VALVE STEM SEAL	2
5	3J3-02012-0000	气门导管	VALVE GUIDE	2



6	3J3-02005-0000	气缸头垫片	CYLINDER HEAD GASKET	1
7	3J3-01004-0000	气缸头盖密封圈	HEAD COVER PACKING	1
8	3J3-02006-000H	气缸头螺栓挡板	CLYLINDER HEAD STAY	1
9	3J3-03100-0000	摇臂组件	VALVE ROCKER ARM ASSY.	2
10	3J3-03008-0000	摇臂轴	IN.ROCKER ARM SHAFT	2
11	3J3-03001-0000	进气门	IN.VAIVE	1
12	3J3-03002-0000	排气门	EX.VALVE	1
13	3J3-03004-0000	气门弹簧	VALVE SPG.	2
14	3J3-03007-0000	气门摇臂弹簧	RETAINER VALVE SPRING	2
15	3J3-03006-0000	气门锁夹	VALVE COTTER	4
16	3J3-22001-0000	隔热垫垫片	CARB.INSULATOR GASKET	1
17	3J3-22002-0000	隔热垫	CARB.INSULATOR	1
18	3J3-02001-000C	双头螺栓M6×65	STUD BOLT M6X65	2
19	7B1-02005-000C	双头螺栓M8×40	SPECIAL STUD BOLT M8X40	2
20	9601-27*2-NB	O型环27×2	O RING Ø27X2	1
21	9601-9*1.6-NB	O型环9×1.6	O RING Ø9X1.6	2
22	9203-M8-C	螺母M8	NUT FLANGE M8	4
23	9103-M6*30-C	螺栓M6×30	SH.FLANGE BOLT M6X30	4
24	9103-M6*95-C	螺栓M6×95	SH.FLANGE BOLT M6X95	2
25	3J3-02004-0000	火花塞(NGK CR7HSA)	PLUG.SPARK(NGK CR7HSA)	1
26	3J3-01010-0000	气缸头盖	CYLINDER HEAD COVER COMP.	1
27	3J3-27001-0000	补气钢管垫片A	A/I PIPE GASKET A	1
28	3J3-27002-0000	补气钢管	AIR PIPE COMP.	1
29	3J3-27100-0000	簧片阀组件	REED VALVE COMP.	1
30	3J3-27004-0000	簧片阀盖	REED VALVE COVER	1
31	9103-M6*40-B	螺栓M6×40	FLANGE BOLT M6X40	2
32	9103-M6*25-B	螺栓M6×25	FLANGE BOLT M6X25	1
33	3J3-27003-0000	补气钢管垫片B	A/I PIPE GASKET B	1
34	9503-1.8*18-C	补气管卡箍	VACUUM TUBE CLIP	1
35	3J3-02013-0000	进气门座圈	IN.VAIVE SEAT	1
36	3J3-02014-0000	排气门座圈	EX.VALVE SEAT	1
37	3J3-02003-000C	补气管螺栓	STUD BOLT M6X24	2

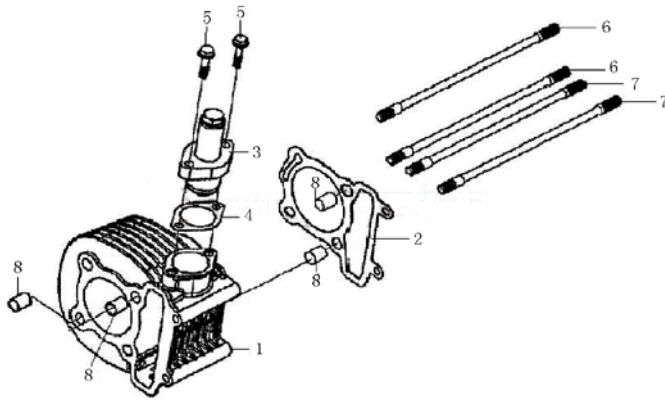


序号 No.	件号 Part No.	中文名称 Chinese	英文名称 Description	单位 Unit
1	3J3-03020-0000	凸轮轴总成	CAM SHAFT COMP.	1
2	3J3-04005-0000	正时链轮	CAM SPROCKET	1
3	3J3-04004-0000	正时链条	CAM CHAIN	1
4	3J3-03009-000H	凸轮轴挡板	CAM SHAFT SETTING PLATE	1
5	3J3-04001-0000	张紧板	CAM CHAIN TENSIONER	1
6	3J3-04003-0000	导向板	CAM CHAIN GUIDE	1
7	9103-M6*16-B	螺栓M6×16	SH.FLANGE BOLT M6X16	1
8	3J3-04007-0000	螺栓 M6×10凸缘	KNOCK BOLT	2

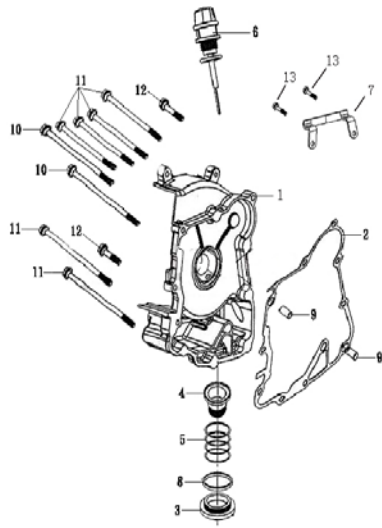


序号 No.	件号 Part No.	中文名称 Chinese	英文名称 Description	单位 Unit
1	3J3-11002-0000	右曲轴箱体	R.CRANK CASE COMP.	1
2	3J3-11005-0000	前减震套	ENG.HANGER RUBBER BUSH	1
3	3J3-08010-0000	机油泵组件	OIL PUMP ASSY.	1
4	3J3-08021-0000	机油泵驱动齿轮	OIL PUMP DRIVEN GEAR	1
5	3J3-18001-0000	起动减速齿轮	STARTER REDUCTION GEAR	1
6	3J3-18002-0000	起动减速齿轮轴	START.RED.GEAR SHAFT	1
7	3J3-18020-0000	起动大齿轮总成	START.CLUTCH GEAR COMP.	1
8	3J3-18031-0000	单向离合器外圈	STARTING CLUTCH OUTER COMP.	1

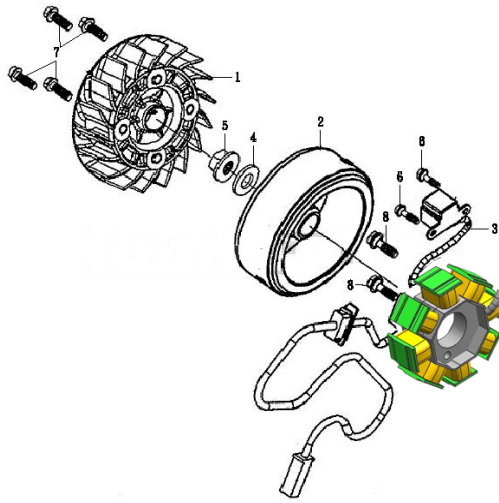
9	3J3-18032-0000	单向离合器弹簧	STARTER CLUTCH ROLLER SPRING	3
10	3J3-18033-0000	单向离合器法兰	STARTING CLUTCH FLANGE COMP.	1
11	3J3-18034-0000	单向离合器顶销	STARTING ROLLER SPRING CAP	3
12	9151-M6*10-C	内六角螺钉M6×10	SOCKET BOLT M6X10	3
13	9209-M22*1-LH-C	自锁螺母M22	LOCK NUT M22	1
14	9301-22.2*31*2-H	垫圈22.2×31×2	THRUST WASHER Ø22.2XØ31X2	1
15	9311-8*1-B	挡圈 8	C-CLIP 8mm	1
16	9704-K28*32*17	滚针轴承K28×32×17	NEEDLE BEARING Ø28XØ32X17	3
17	3J3-18035-0000	滚子	ROLLER Ø10X10	1
18	9602-FB19.8*30*5-VI	油封19.8×30×5R	OIL SEAL Ø19.8XØ30X5R	1
19	9103-M6*45-C	螺栓M6×45	FLANGE BOLT M6X45	1
20	9103-M6*55-C	螺栓M6×55	FLANGE BOLT M6X55	1
21	3J3-18200-0000	单向离合器总成	STARTING CLUTCH FLANGE COMP.	1
22	3J3-08100-0000	机油泵总成	OIL PUMP SEPARATOR	1
23	3J3-08001-0000	机油泵盖板	OIL PUMP COVER	1
24	9103-M6*12-C	螺栓M6×12	FLANGE BOLT M6X12	2
25	3J3-11008-0000	主支撑衬套	BUSH	1
26	9143-M6*25-A	十字沉头螺钉M6×25	HEAVY HEAD SCREW M6×25	2



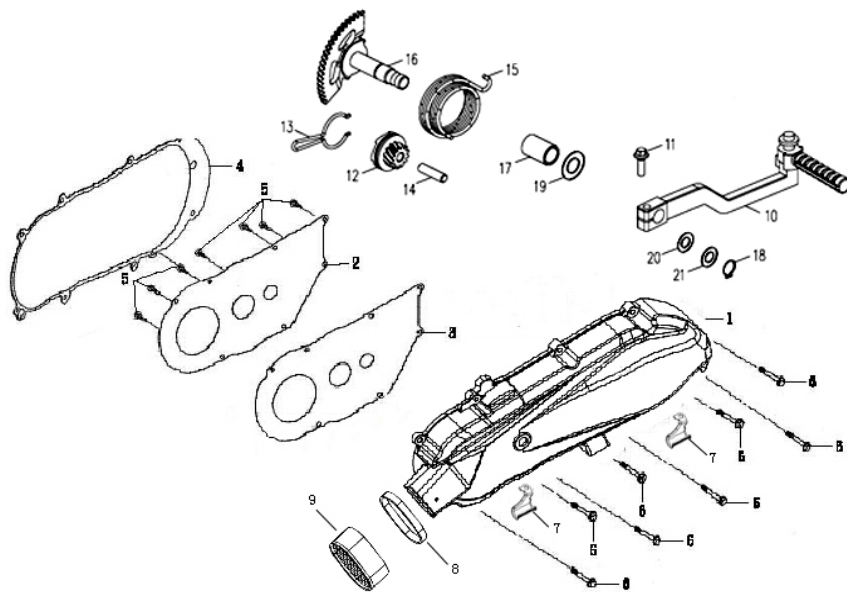
序号 No.	件号 Part No.	中文名称 Chinese	英文名称 Description	单位 Unit
1	3J3-05001-0000	气缸体	CYLINDER	1
2	3J3-05002-0000	气缸体垫片	CYLINDER GASKET	1
3	3J3-04100-0000	张紧器组件	TENSIONER LIFTER ASSY.	1
4	3J3-04006-0000	张紧器垫片	TENSIONER LIFTER GASKET	1
5	9103-M6*22-A	螺栓M6×22	SH.FLANGE BOLT M6X22	2
6	3J3-11004-000C	双头螺柱A	CYLINDER STUD BOLT A	2
7	3J3-11003-000C	双头螺柱B	CYLINDER STUD BOLT B	2
8	9402-10*14	定位销10×14	DOWEL PIN 10X14	4



序号 No.	件号 Part No.	中文名称 Chinese	英文名称 Description	单位 Unit
1	3J3-12001-0000	右盖	R.CRANK CASE COVER	1
2	3J3-12002-0000	右盖垫片	R.COVER GASKET	1
3	3J3-12005-0000	机油过滤网盖	TAPPET ADJUSTING HOLE CAP	1
4	3J3-12020-0000	机油过滤网组件	OIL FILTER SCREEN	1
5	3J3-12004-0000	机油过滤网弹簧	OIL FILTER SCREEN SPG.	1
6	3J3-12006-0000	机油尺	OIL LEVEL GAUGE	1
7	3J3-19002-000C	线夹	ACG CORD CLAMPER	1
8	9601-29.8*3.1-NB	O型密封圈29.8×3.1	O-RING 29.8mm	1
9	9402-8*14	定位销8×14	DOWEL PIN 8X14	2
10	9103-M6*100-C	螺栓M6×100	SH FLANGE BOLT M6X100	2
11	9103-M6*95-C	螺栓M6×95	SH FLANGE BOLT M6X95	6
12	9103-M6*30-C	螺栓M6×30	SH FLANGE BOLT M6X30	2
13	9101-M5*12-C	螺栓M5×12	HEX BOLT M5X12	2

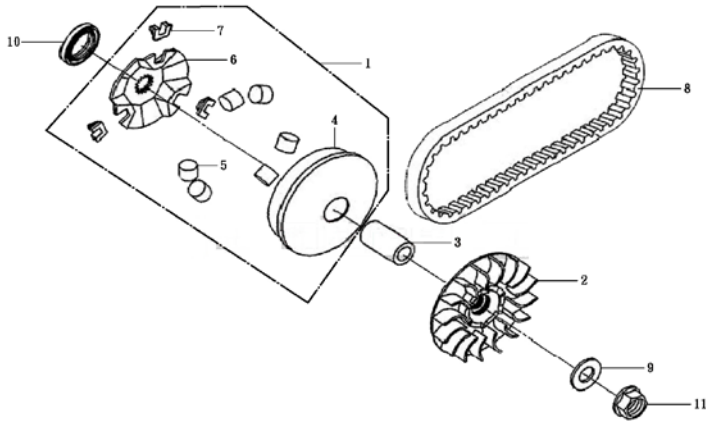


序号 No.	件号 Part No.	中文名称 Chinese	英文名称 Description	单位 Unit
1	3J3-21006-0000	风扇	COOLING FAN COMP.	1
2	3J3-19200-0000	转子总成	FLYWHEEL COMP	1
3	3J3-19100-0000	定子总成	STATOR COMP.	1
4	9301-12*25*2.5-B	垫圈12	PLAIN WASHER 12mm	1
5	9224-M12*1.25-C	螺母M12×1.25	FLANGE NUT M12	1
6	9101-M5*12-C	螺栓M5×12	HEX BOLT M5X12	2
7	9103-M6*18-C	螺栓M6×18	FLANGE BOLT M6X18	4
8	9103-M6*25-C	螺栓M6×25	SH.FLANGE BOLT M6X25	2

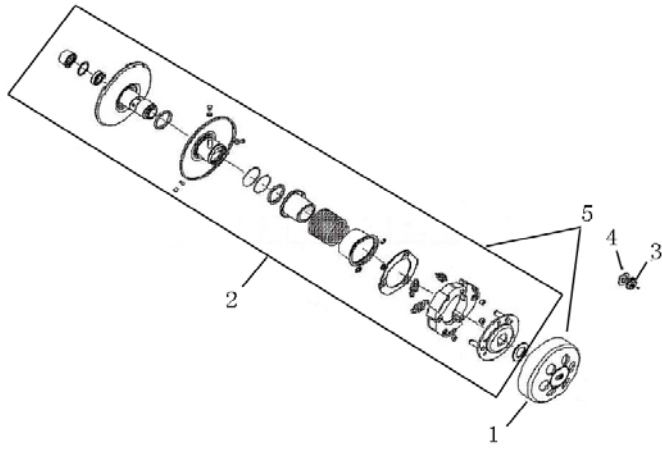


序号 No.	件号 Part No.	中文名称 Chinese	英文名称 Description	单位 Unit
1	3J3-09001-0000	左曲轴箱盖	L.CRANK CASE COVER	1
2	3J3-09005-0000	脚起动护板	L.SIDE COVER PLATE	1
3	3J3-09006-0000	脚起动护板垫片	L.SIDE COVER PLATE GASKET	1
4	3J3-09002-0000	左盖垫片	L.COVER GASKET	1
5	9142-M5*12-C	圆柱头螺钉M5×12	PAN SCREW M5X12	7
6	9103-M6*28-C	螺栓M6×28	SH FLANGE BOLT M6X28	8
7	3J3-09004-0000	后制动线夹	CLIP, REAR BRAKE	2
8	3J3-09008-0000	左盖进气管卡箍	HOSE CLAMP ASSY.	1
9	3J3-09007-0000	左盖进气管	AIR CLEANER,COVER L	1
10	3J3-17010-0000	起动踏杆总成	KICK CRANK ASSY	1
11	9103-M6*25-C	螺栓M6×25	FLANGE BOLT M6X25	1
12	3J3-17021-0000	脚起动爪	KICK PINION ASSY	1
13	3J3-17022-0000	脚起动爪卡簧	CLIP SPRING	1
14	3J3-09012-0000	脚启动爪轴	SHAFT	1
15	3J3-17001-0000	脚启动轴弹簧	SPRING,TORSION	1
16	3J3-17031-0000	脚启动轴	KICK SHAFT ASSY	1
17	3J3-17032-0000	脚启动轴套	BUSH,SOLID	1
18	9312-14-F	挡圈14	CIRCLIP 14	1
19	9301-14*21*2-F	脚启动轴套垫圈	WASHER,PLATE	1
20	9303-14*20*0.3-F	脚启动轴套波形垫圈	WASHER,WAVE PLATE	1
21	9301-12*21*1-F	平垫片12×21×1	WASHER	1

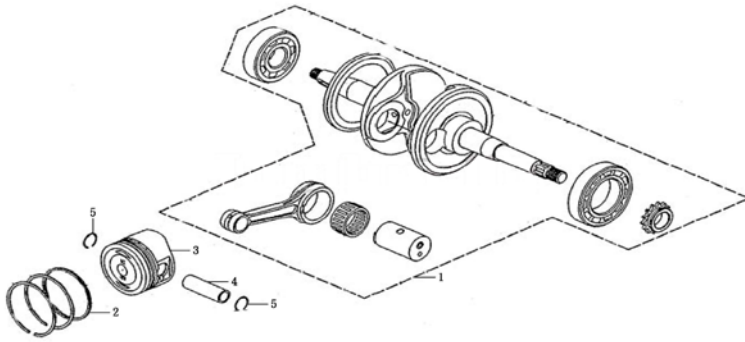




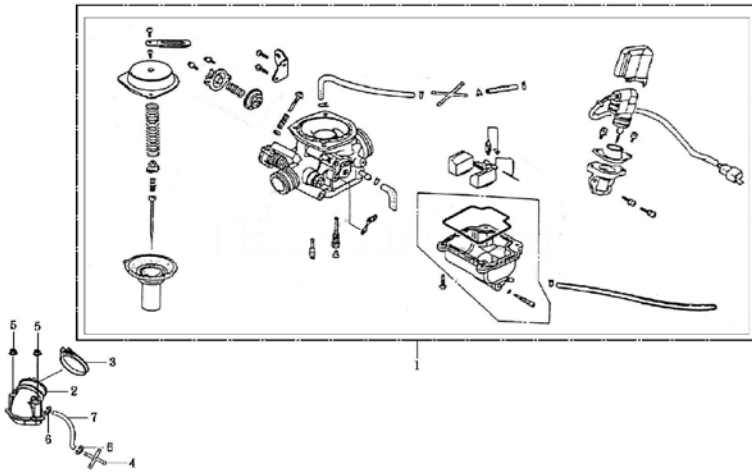
序号 No.	件号 Part No.	中文名称 Chinese	英文名称 Description	单位 Unit
1	3J3-13100-0000	主动轮组件	MOVABLE DRIVE FACE ASSY	1
2	3J3-1300F-0000	主动定盘	DRIVE FACE COMP.	1
3	3J3-1300E-000E	轴套	DRIVE FACE BOSS	1
4	3J3-1300D-0000	主动轮凸轮	MOVABLE DRIVE FACE COMP.	1
5	3J3-1300C-0000	滚子	WEIGHT ROLLER COMP.	6
6	3J3-1300B-000F	滚道动盘	RMAP PLATE	1
7	3J3-1300H-0000	滑件	SLIDE PIECE	3
8	3J3-13001-0000	皮带	DRIVE BELT	1
9	9301-12*25*2.5-B	垫片12	PLAIN WASHER 12mm	1
10	9602-FB25*40*7-VI	油封25×40×7	OIL SEAL Ø25XØ40X7	1
11	9224-M12*1.25-C	螺母M12×1.25	FLANGE NUT M12×1.25	1



序号 No.	件号 Part No.	中文名称 Chinese	英文名称 Description	单位 Unit
1	3J3-13003-0000	离合器鼓	CLUTCH OUTER	1
2	3J3-13010-0000	离合器离心块总成	CLUTCH WEIGHT	1
3	9224-M12*1.25-C	螺母M12×1.25	FLANGE NUT M12×1.25	1
4	9301-12*25*2.5-B	垫片12	PLAIN WASHER 12mm	1
5	3J3-13400-0000	从动轮组件	DRIVEN PULLEY SET	1



序号 No.	件号 Part No.	中文名称 Chinese	英文名称 Description	单位 Unit
1	3J3-06100-0000	曲柄连杆组件	CRANK SHAFT COMP.	1
2	3J3-06200-0000	活塞环组	PISTON RING SET	1
3	3J3-06001-0000	活塞	PISTON	1
4	3J3-06002-0000	活塞销	PISTON PIN 7X10X29.2	1
5	3J3-06003-0000	活塞销挡圈	PISTON PIN CLIP	2



序号 No.	件号 Part No.	中文名称 Chinese	英文名称 Description	单位 Unit
1	3J3-23100-0000	化油器总成	CARBURETOR ASSY.	1
2	3J3-22110-0000	进气管分组件	INLET PIPE COMP.	1
3	3J3-22120-0000	进气管卡箍	INSULATOR BAND	1
4	3J3-22104-0000	四通	4-WAY JOINT ASSY	1
5	9203-M6-C	螺母M6	FLANGE NUT M6	2
6	3J3-22103-0000	管箍	TUBE CLIP B7	2
7	3J3-22102-0000	负压管	TUBE 3.5X110	1