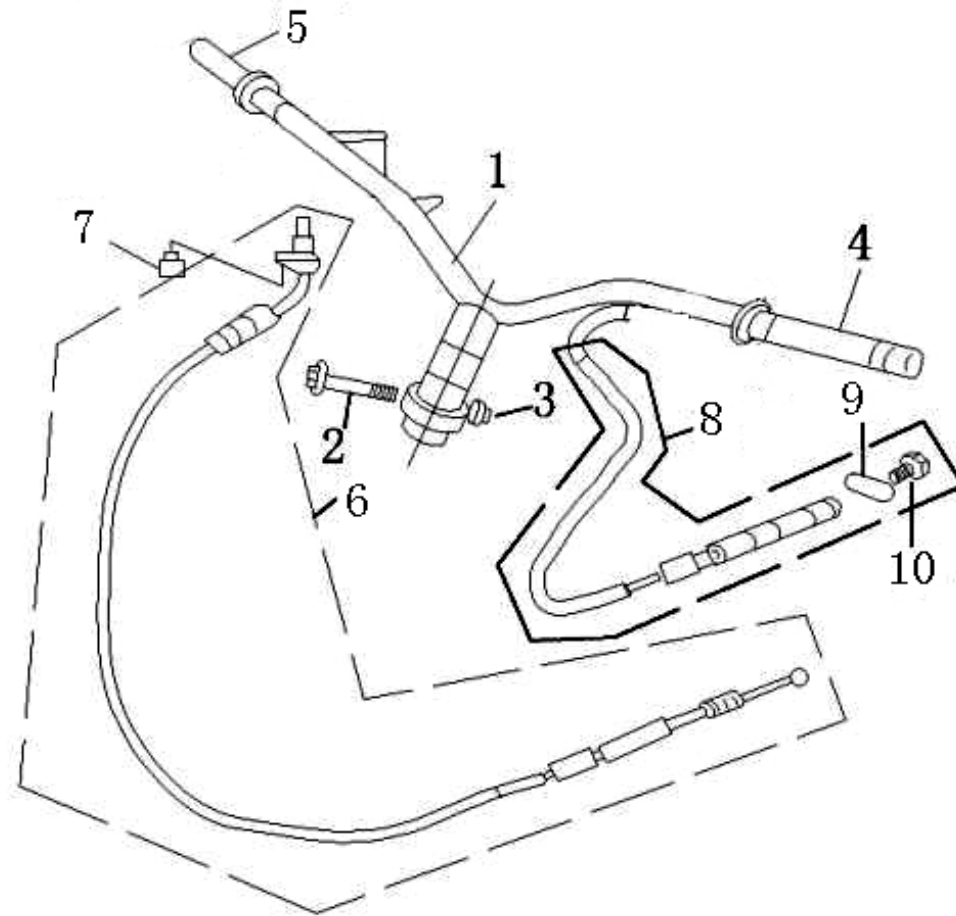


# CONTENTS

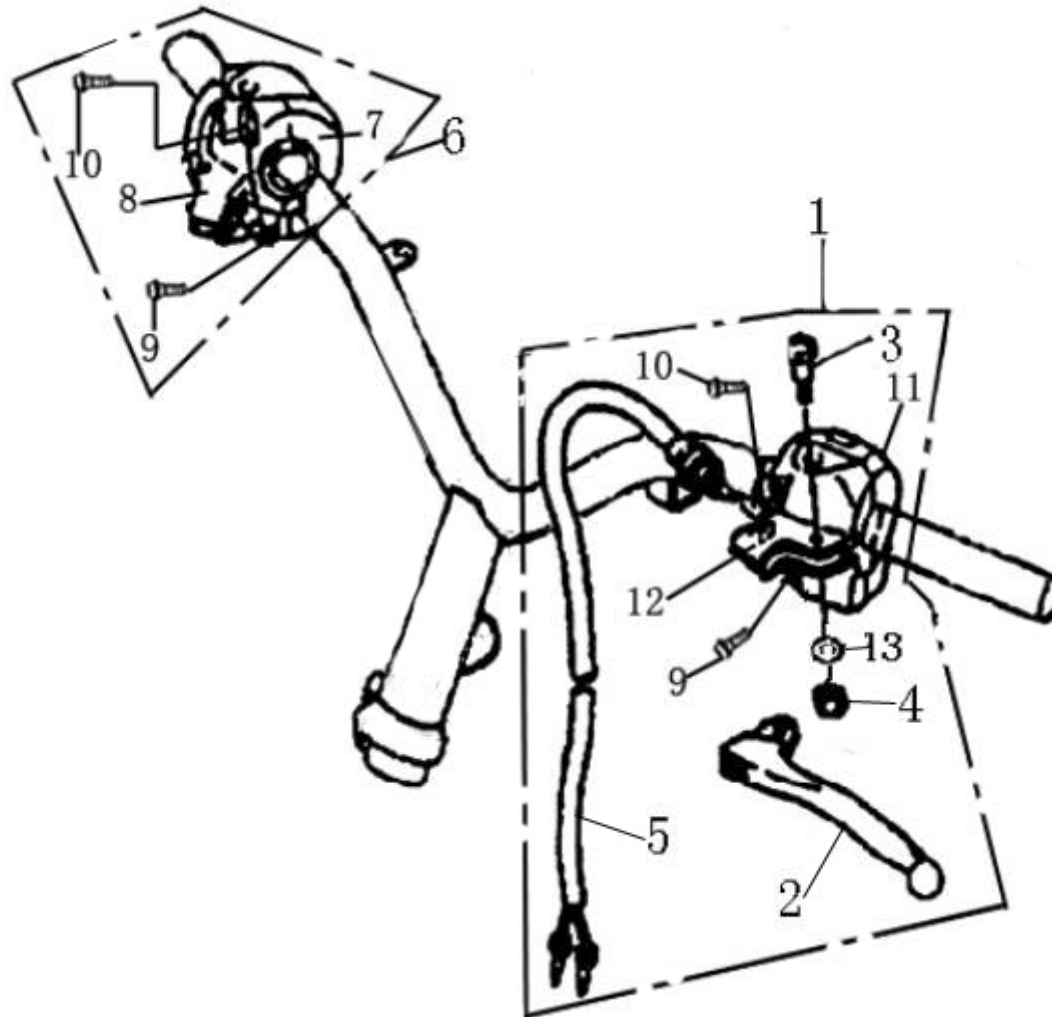
F-1	STEERING .....	2	F-20	SPEEDOMETER .....	40
F-2	R.L.S/W ASSY .....	4	F-21	/ FLASHER LIGHT/HEAD LIGHT .....	42
F-3	FRONT FORK .....	6	F-22	TAIL LIGHT .....	44
F-4	FRONT WHEEL ASSY .....	8	F-23	I ELECTRICAL EQUIPMENT I .....	46
F-5	FRONT DISK BRAKE .....	10	F-24	II ELECTRICAL EQUIPMENT II .....	48
F-6	MUFFLER ASSY .....	12	F-25	TOOL KIT .....	50
F-7	AIR CLEANER ASSY .....	14	F-26	ENGINE ATTACHMENT .....	52
F-8	FUEL TANK ASSY .....	16	E-1	CRANK CASE .....	54
F-9	SEAT ASSY .....	18	E-2	CYLINDER HEAD ASSY .....	58
F-10	REAR WHEEL ASSY .....	20	E-3	CARBURETOR .....	60
F-11	FRAME ASSY .....	22	E-4	CRANK SHAFT PISTON .....	62
F-12	REAR SHOCK ABSORBER ASSY .....	24	E-5	MAGNETO ASSY .....	64
F-13	OIL TANK ASSY .....	26	E-6	OIL PUMP ASSY .....	66
F-14	FRONT FENDER .....	28	E-7	AIR COOLING SYSTEM .....	68
F-15	HANDLE COVER .....	30	E-8	KICK STARTER ASSY .....	70
F-16	COVER.FB ASSY .....	32	E-9	CLUTCH ASSY .....	72
F-17	/ FOOTREST/STAND .....	34	E-10	TRANSMISSION SYSTEM ASSY .....	74
F-18	/ LEG SHIELD .....	36	E-11	REED VALVE ASSY .....	76
F-19	SIDE COVER .....	38			



**F-1 STEERING**

## F-1 STEERING

Ref No	Part No	Chinese	Description	Qty	\$/PCS
1	TBFF0101	□□□□□□□	HANDLE COMP.	1	
2	TBFF0102	□□	FLANGE BOLT 10×1.25×45	1	
3	TBFF0103	□□	U NUT 10×1.25MM	1	
4	TBFF0104	□□□	L. GRIP	1	
5	TBFF0105	□□□□	R. GRIP	1	
6	TBFF0106	□□□	BRAKE CABLE	1	
7	TBFF0107	□□	PAN HEAD SCREW 5×10	1	
8	TBFF0108	□□□	BRAKE CABLE	1	
9	TBFF0109	□□□	PIN, STOPPER	1	
10	TBFF0110	□□□□	NUT, ADJUSTING	1	

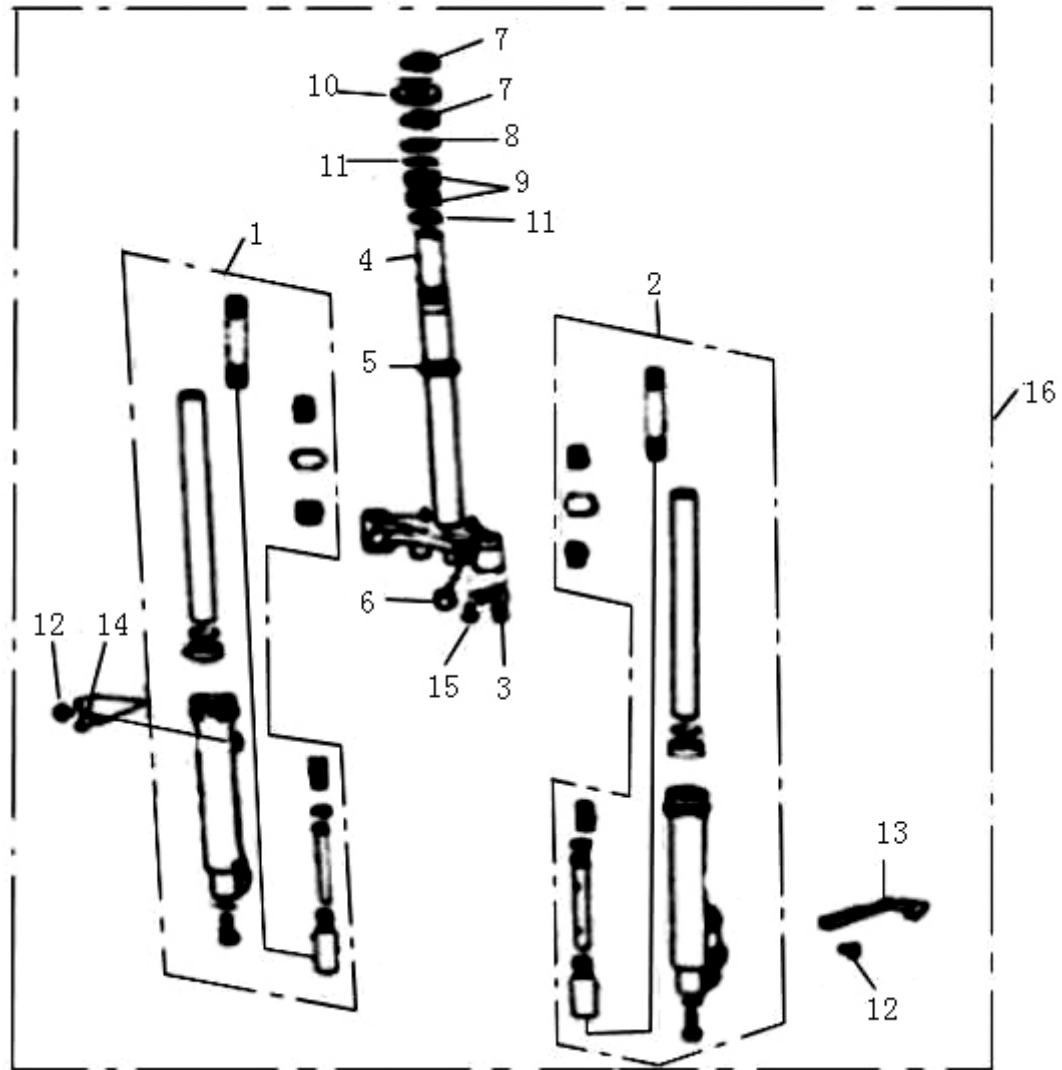


**F-2**

**R.L.S/W ASSY**

**F-2****R.-L.S/W ASSY**

<b>Ref No</b>	<b>Part No</b>	<b>Chinese</b>	<b>Description</b>	<b>Qty</b>	<b>\$/PCS</b>
1	TBFF0201	□□□□□	LEFT HANDLE SWITCH ASSY.	1	
2	TBFF0202	□□□	LEFT LEVER	1	
3	TBFF0203	□□□□□□ M5	LEVER MOUNTING SCREW	1	
4	TBFF0204	□□ M5	U NUT 5MM	1	
5	TBFF0205	□□□□□	STOP SWITCH ASSY.	1	
6	TBFF0206	□□□□□	RIGHT HANDLE SWITCH ASSY.	1	
7	TBFF0207	□□□□	RIGHT HANDLE SWITCH	1	
8	TBFF0208	□□□□□□□□	R. SWITCH FI×ING SEAT	1	
9	TBFF0209	□□□□ M5×20	PAN HEAD SCREW 5×20	2	
10	TBFF0210	□□□□ M5×25	PAN HEAD SCREW 5×25	2	
11	TBFF0211	□□□□	LEFT HANDLE SWITCH	1	
12	TBFF0212	□□□□□□□□	L. SWITCH FIXING SEAT	1	
13	TBFF0213	□□ 5	WASHER	1	

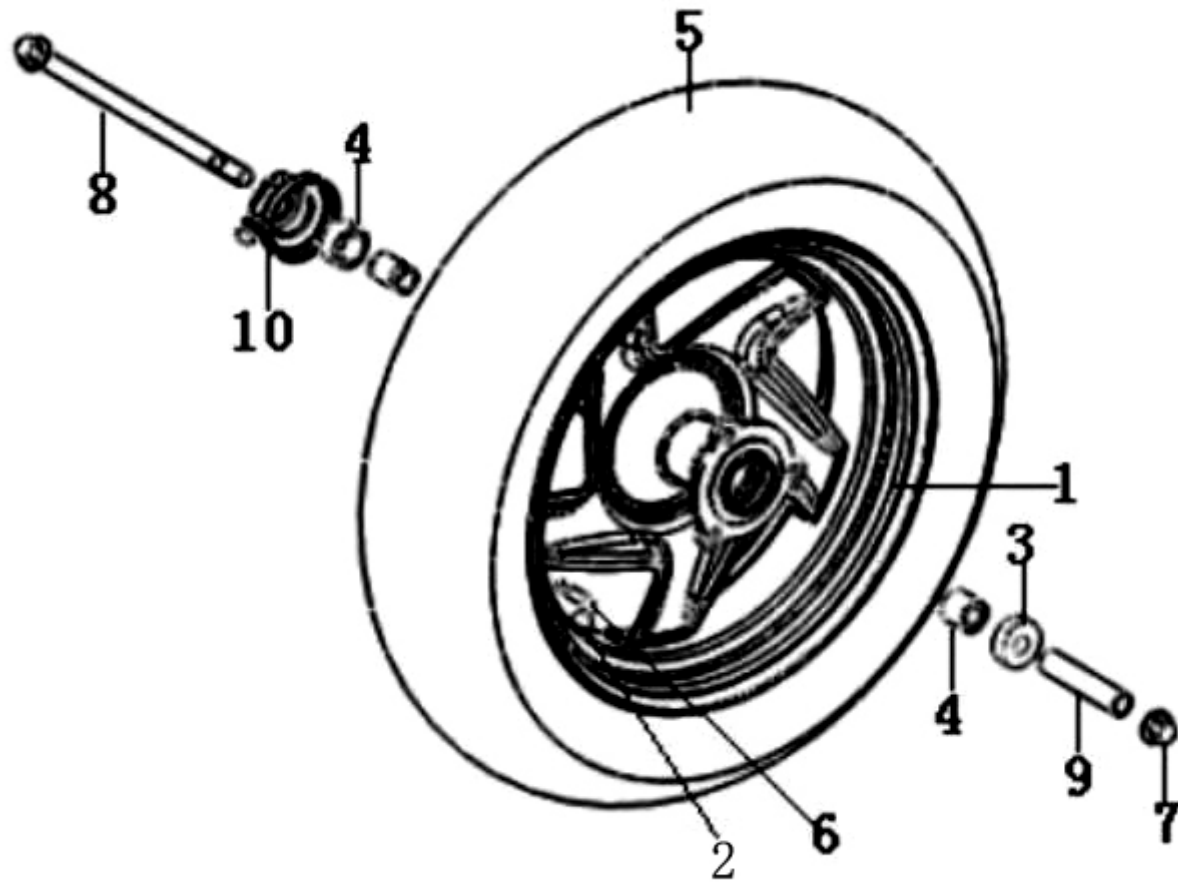


**F-3**

**FRONT FORK**

**F-3****FRONT FORK**

Ref No	Part No	Chinese	Description	Qty	\$/PCS
1	TBFF0301	□□□□□□□	F.R. FORK ASSY.	1	
2	TBFF0302	□□□□□□□	F.L. FORK ASSY.	1	
3	TBFF0303	□□□□ 2	BRAKE HOSE HOLDER 2	1	
4	TBFF0304	□□□□□□□	UNDER BRACKET COMP.	1	
5	TBFF0305	□□□□□□	BALLRACE, 4	1	
6	TBFF0306	□□ M10×1.25×30	FLANGE BOLT 10×1.25×30	2	
7	TBFF0307	□□□□	NUT	□	
8	TBFF0308	□□□□	BALLRACE, CONNECTING	1	
9	TBFF0309	□□□□□□	BALLRACE, 2	2	
10	TBFF0310	□□□	BALLRACECOVER	1	
11	TBFF0311	□□φ5	STEEL BALLφ5	42	
12	TBFF0312	□□ M6×16	PAN HEAD SCREW 6×16	2	
13	TBFF0313	□□□□ 1	FR. BRAKE HOSE HOLDER	1	
14	TBFF0314	□□□□□□□	CABLE HOLDER	1	
15	TBFF0315	□□	FLANGE BOLT 6×12	1	
16	TBFF0316	□□□□	FRONT FORK ASSY.	1	



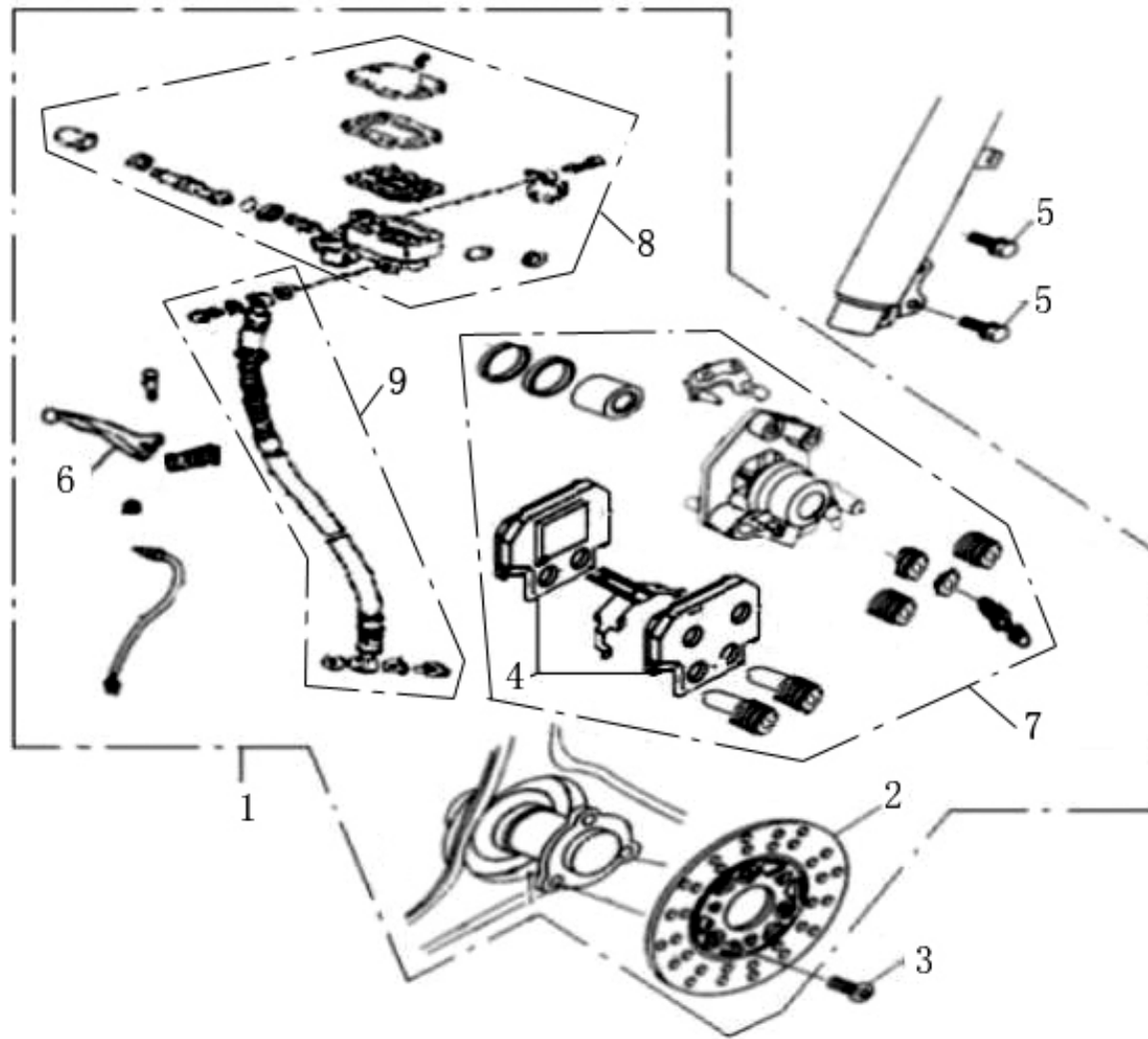
**F-4**

**FRONT WHEEL ASSY**



**F-4****FRONT WHEEL ASSY**

<b>Ref No</b>	<b>Part No</b>	<b>Chinese</b>	<b>Description</b>	<b>Qty</b>	<b>\$/PCS</b>
1	TBFF0401	□□□	RIM COMP. 3.5×12	1	
2	TBFF0402	□□□□	CAP, VALVE	1	
3	TBFF0403	□□ 22×35×7	OIL SEAL 22×35×7, R.	2	
4	TBFF0404	□□ 6201-2RS	BALL BEARING 6201-2RS	2	
5	TBFF0405	□□□	TIRE 120/70-12	1	
6	TBFF0406	□□□ Z2-01-1	RIM VALVE	1	
7	TBFF0407	□□ GB6187	FLANGE U NUT 12×1.25MM	1	
8	TBFF0408	□□□ M12×1.25×224	FR. WHEEL AXLE M12×1.25×22	1	
9	TBFF0409	□□□□□	COLLAR	1	
10	TBFF0410	□□□□□	SPEEDOMETER GEAR COMP.	1	

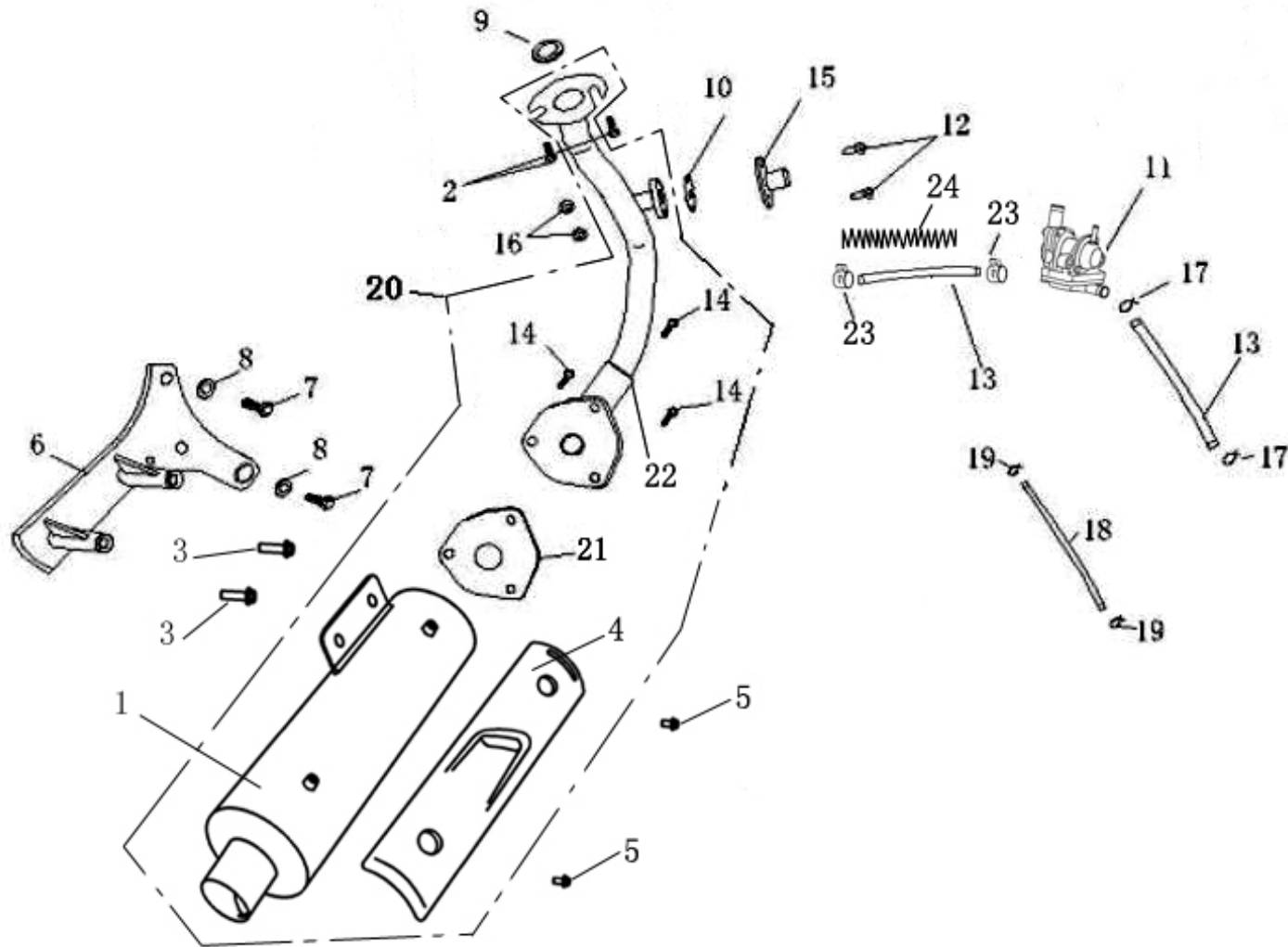


**F-5**

**FRONT DISK BRAKE**

## F-5                      FRONT DISK BRAKE

Ref No	Part No	Chinese	Description	Qty	\$/PCS
1	TBFF0501	□□□□	DISCBRAKEASSY,FR.	1	
2	TBFF0502	□□□□	BRAKE DISC	1	
3	TBFF0503	□□□□□□□□	BOLT	3	
4	TBFF0504	□□□□□□□□	BRAKE PAD KIT	1 □	
5	TBFF0505	□□ M8×36	BOLT	2	
6	TBFF0506	□□□	DISC BRAKE LEVER	1	
7	TBFF0507	□□□□□□	CALIPER ASSY	1	
8	TBFF0508	□□□□□□	CYLINDER COMP	1	
9	TBFF0509	□□□□□□	FR.BRAKE HOSE	1	

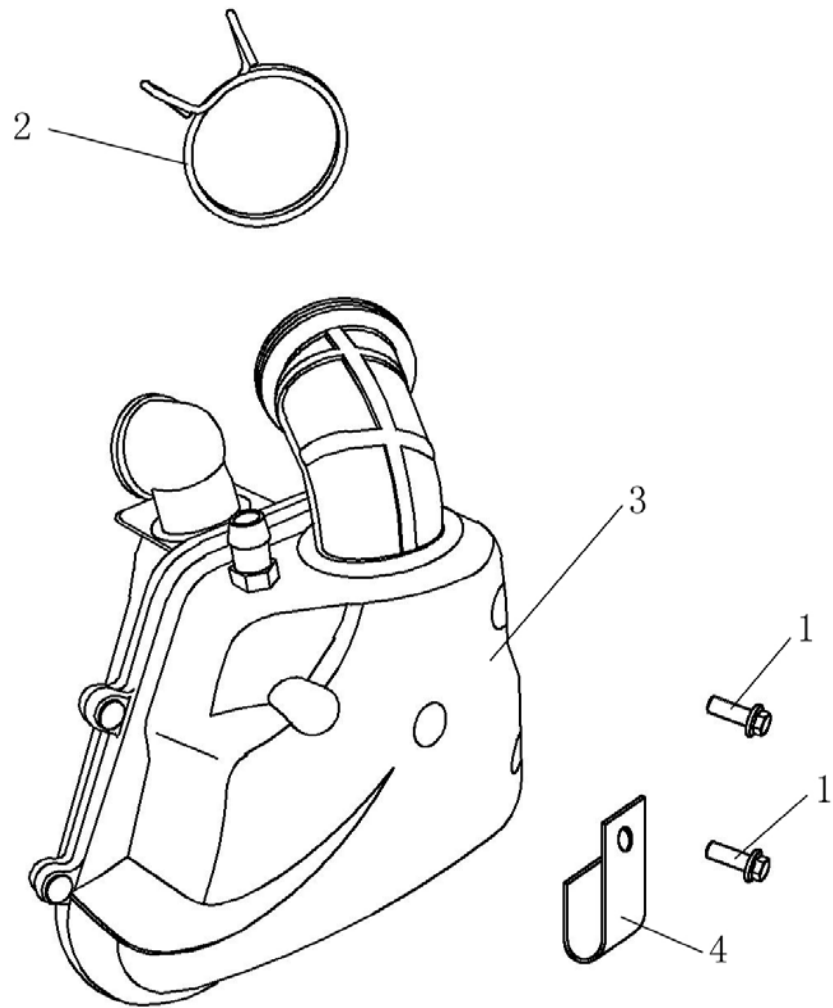


**F-6**

**MUFFLER ASSY**

## F-6 MUFFLER ASSY

Ref No	Part No	Chinese	Description	Qty	\$/PCS
1	TBKF0601	□□□□	MUFFLER JOINTING COMP	1	
2	TBFF0602	□□ M6×16	BOLT M6×16	2	
3	TBFF0603	□□ M8×40	BOLT M8×40	2	
4	TBKF0604	□□□	SHIELD	1	
5	TBKFF0605	□□ M6×12□□□□	BOLT M10×12	2	
6	TBFF0606	□□□	COVER □EXHAUST	1	
7	TBFF0607	□□ M6×25	BOLT M6×25	2	
8	TBFF0608	□□	WASHER	2	
9	TBFF0609	□□□□□□	GROMMET□EXHAUSTPIPE	2	
10	TBFF0610	□□□□□□	GASKET	1	
11	TBFF0611	□□□□□	VALVE SECOND AIR IN	1	
12	TBFF0612	□□ M6×12	BOLT M6×12	2	
13	TBFF0613	□□φ15	RUBBER TUBEφ15	2	
14	TBFF0614	□□ M8×20	BOLT M8×20	3	
15	TBFF0615	□□□□□	SYNTHETASE	1	
16	TBFF0616	□□	NUT	2	
17	TBFF0617	□□ 15	CLIP 15	2	
18	TBFF0618	□□φ9	RUBBER TUBEφ9	1	
19	TBFF0619	□□ 9	CLIP 9	2	
20	TBFF0620	□□□□□□□	MVFFLER ASSY	1	
21	TBFF0621	□□□□□□	GASKET	1	
22	TBFF0622	□□□	VENT-PIPE	1	
23	TBFF0623	□□	CLIP	2	
24	TBFF0624	□□□□	SPRING	1	

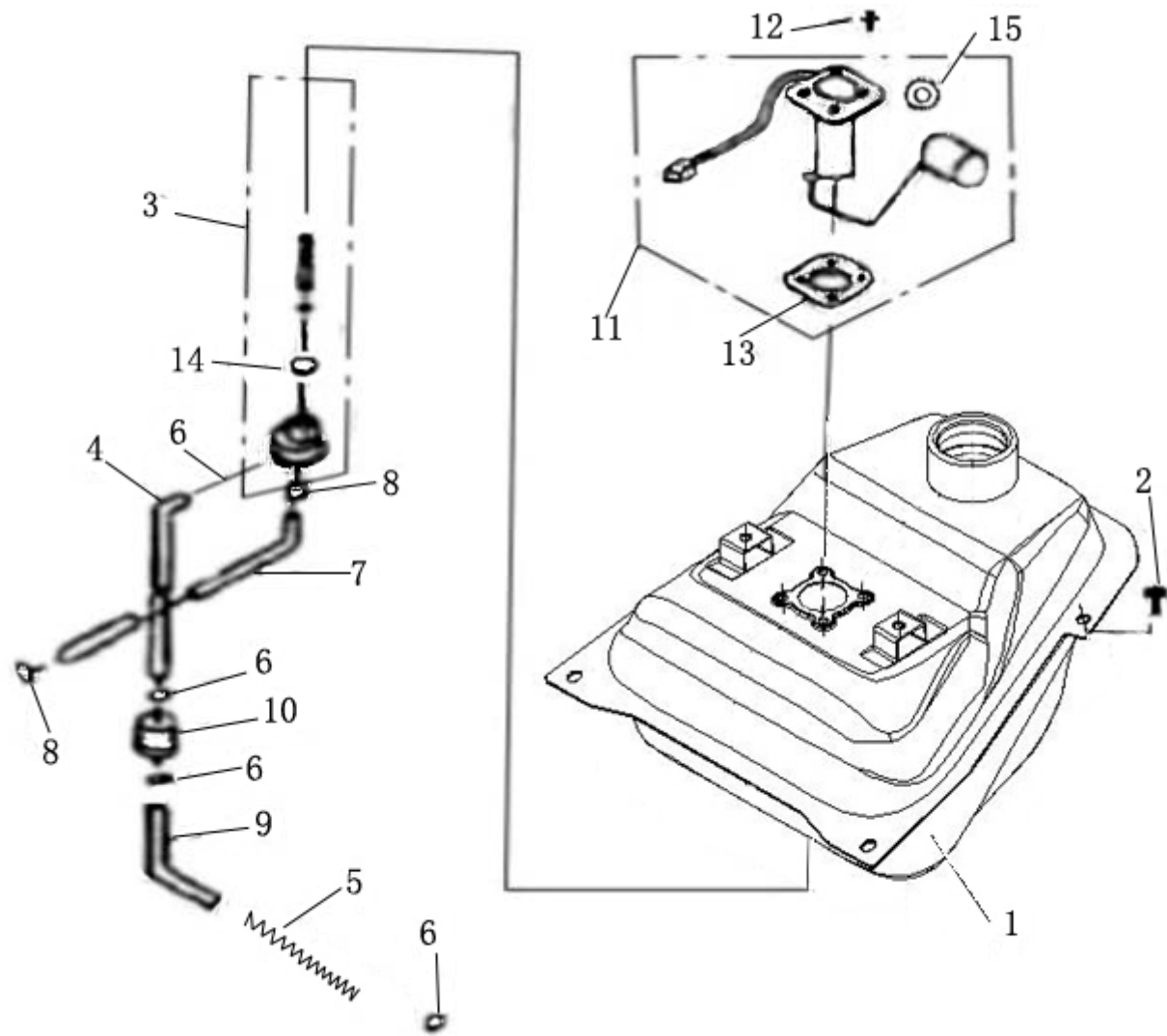


**F-7**

**AIR CLEANER ASSY**

**F-7****AIR CLEANER ASSY**

<b>Ref No</b>	<b>Part No</b>	<b>Chinese</b>	<b>Description</b>	<b>Qty</b>	<b>\$/PCS</b>
1	TBFF0701	□□ M6×20	BOLT 6×20MM	2	
2	TBFF0702	□□ 42.5	CLIP	1	
3	TBFF0703	□□□□□	AIR CLEANER ASSY.	1	
4	TBFF0704	□□□□□	GUIDE, BRAKE CABLE	1	



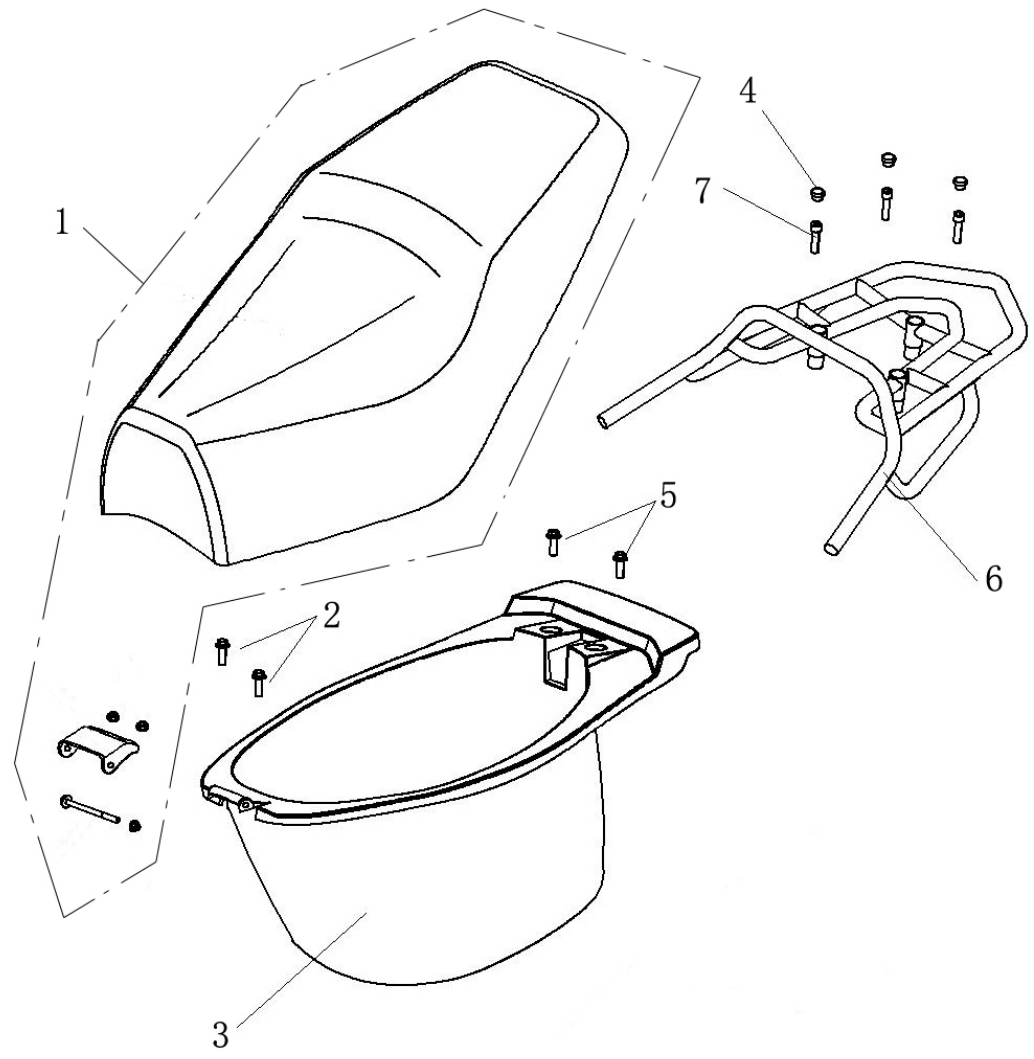
**F-8**

**FUEL TANK ASSY**



## F-8 FUEL TANK ASSY

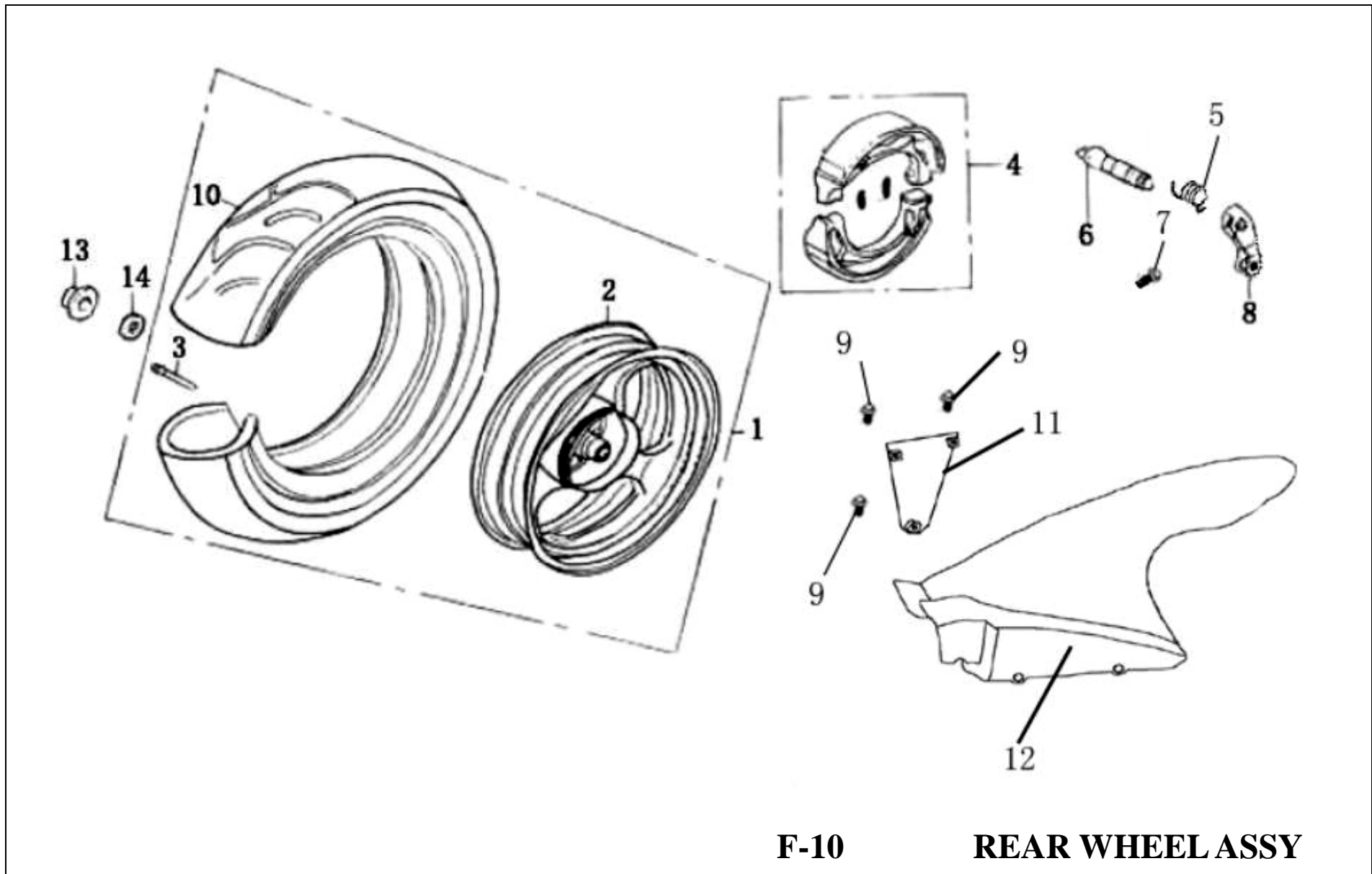
Ref No	Part No	Chinese	Description	Qty	\$/PCS
1	TBFF0801	□□□□	FUEL TANK COMP.	1	
2	TBFF0802	□□ M6×16	FLANGE BOLT 6×16	4	
3	TBFF0803	□□□□□□	FUEL COCK ASSY.	1	
4	TBFF0804	□□ 1 90mm	FUEL HOSE, 1 (4.5×8.5)	1	
5	TBFF0805	□□□□	SPRING	1	
6	TBFF0806	□□ 8mm	CLIP 8mm	4	
7	TBFF0807	□□□ 360mm	VACUUM HOSE, 1 (4×8)	1	
8	TBFF0808	□□ 7mm	CLIP 7mm	2	
9	TBFF0809	□□ 2 280mm	FUEL HOSE, 2 (4.5×8.5)	1	
10	TBFF0810	□□□	FUEL FILTER ASSY.	1	
11	TBFF0811	□□□□□	SENDER UNIT	1	
12	TBFF0812	□□ M5×14	BOLT 5×14	4	
13	TBFF0813	□□□□□□□□	SENDER UNIT GASKET	1	
14	TBFF0814	□□□□	SEAL RING	1	
15	TBFF0815	□□ 5	WASHER 5	4	



**F-9 SEAT ASSY**

**F-9****SEAT ASSY**

<b>Ref No</b>	<b>Part No</b>	<b>Chinese</b>	<b>Description</b>	<b>Qty</b>	<b>\$/PCS</b>
1	TBKF0901	□□□□	SEAT ASSY.	1	
2	TBFF0902	□□□□ M6×14	BOLT M6×14	2	
3	TBFF0903	□□□	LUGGAGE BOX	1	
4	TBKF0904	□□□□	SET OFF APERTURE LID	3	
5	TBFF0905	□□□□	FLANGE BOLT M6×12	2	
6	TBKF0906	□□□	RR..ARMREST	1	
7	TBKF0907	□□□□□ M8×35	SOCKET BOLT M8×35	3	

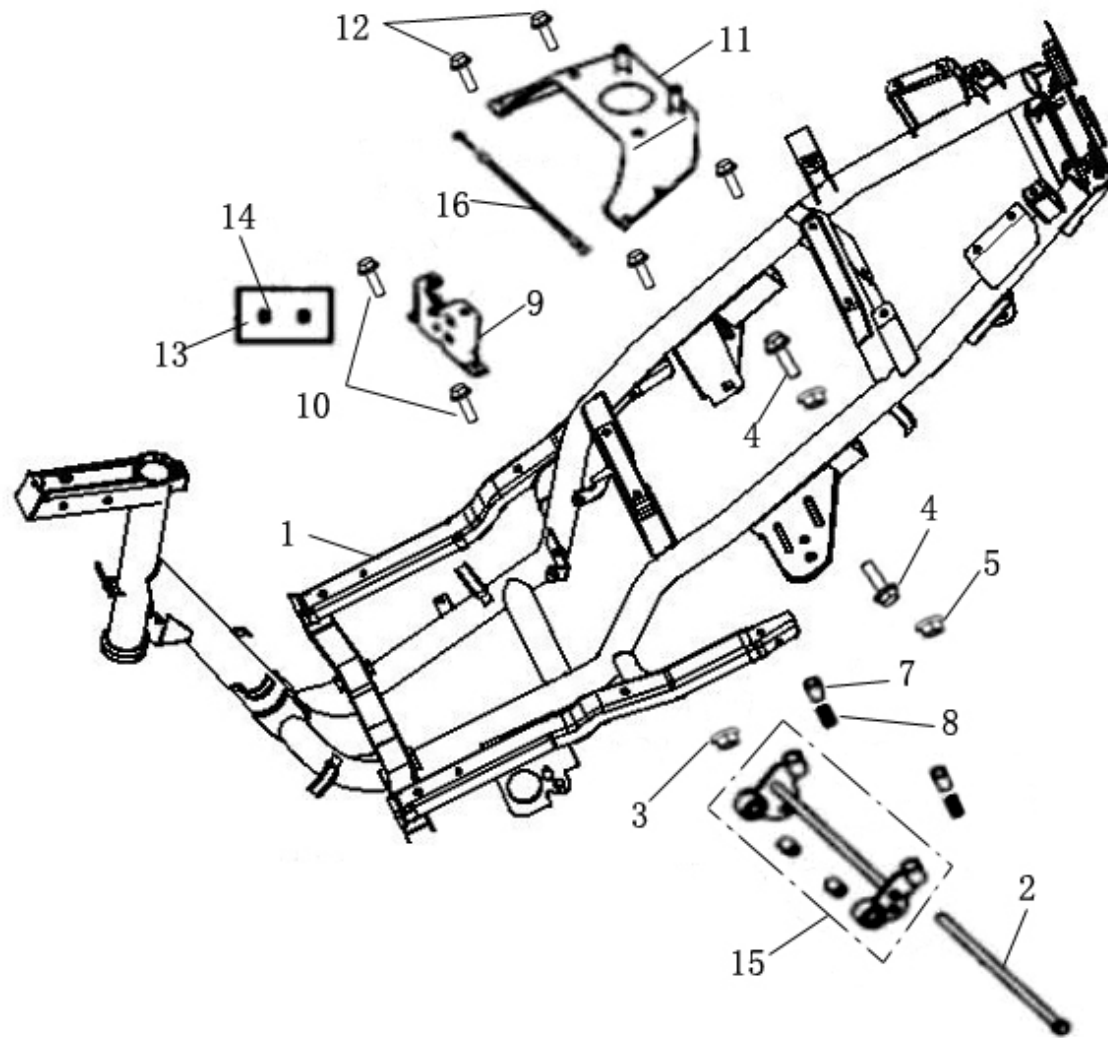


**F-10**

**REAR WHEEL ASSY**

**F-10****REAR WHEEL ASSY**

<b>Ref No</b>	<b>Part No</b>	<b>Chinese</b>	<b>Description</b>	<b>Qty</b>	<b>\$/PCS</b>
1	TBFF1001	□□□□□	WHEEL ASS'.,RR	1	
2	TBFF1002	□□□	WHEEL.RR.CASTING	1	
3	TBFF1003	□□□	VALVE,RIM,TR412	1	
4	TBFF1004	□□□□□□□	SHOE ASS'Y.,BRAKE	1	
5	TBFF1005	□□□□□□	SPRING	1	
6	TBFF1006	□□□□□□	CAM,RR.BRAKE	1	
7	TBFF1007	□□	BOLT	1	
8	TBFF1008	□□□□□	ARM,RR.BRAKE	1	
9	TBFF1009	□□ M6×12	BOLT M6×12	3	
10	TBFF1010	□□□	ARM,RR.BRAKE	2	
11	TBFF1011	□□□□□□	LEFT BRACKET, REAR FENDER	1	
12	TBFF1012	□□□□□	REAR FENDER	1	
13	TBFF1013	□□ M14×1.5	NUT,U,14MM	1	
14	TBFF1014	□□	WASHER	1	

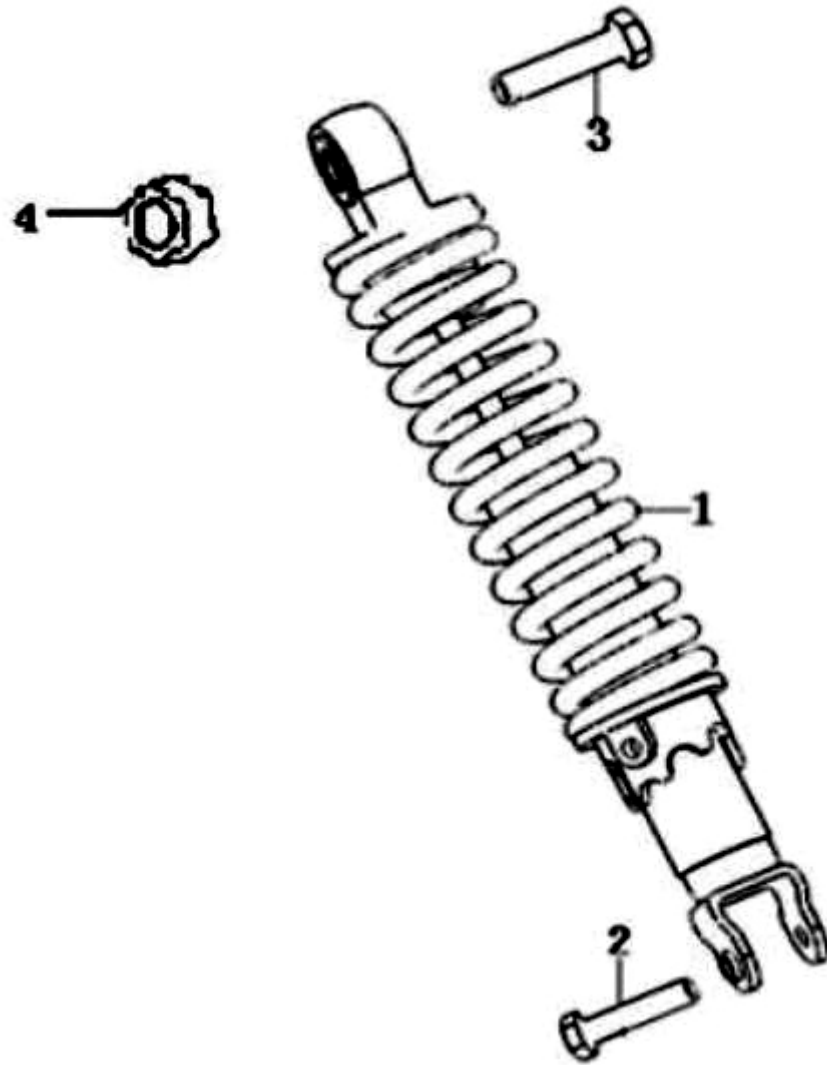


**F-11**

**FRAME ASSY**

**F-11****FRAME ASSY**

<b>Ref No</b>	<b>Part No</b>	<b>Chinese</b>	<b>Description</b>	<b>Qty</b>	<b>\$/PCS</b>
1	TBKF1101	□□□□□□	FRAME BODY	1	
2	TBFF1102	□□□□□□	BOLT, ENGINE HANGER	1	
3	TBFF1103	□□ M12×1.25	FLANGE U NUT M12×1.25	1	
4	TBFF1104	□□□□□□	E/G MOUNTING BOLT	2	
5	TBFF1105	□□ M10×1.25	FLANGE U NUT M10×1.25	2	
6	TBFF1106	□□□□□□□□	E/G BRKT JOINING. COMP.	1	
7	TBFF1107	□□□	DAMPER	2	
8	TBFF1108	□□□□	SPRING	2	
9	TBFF1109	□□□□□□	SEAT CATCH COMP.	1	
10	TBFF1110	□□ M6×25	FLANGE BOLT 6×25	2	
11	TBFF1111	□□□□□	CARRIER BRACKET	1	
12	TBFF1112	□□ M6×12	FLANGE BOLT 6×12	4	
13	TBFF1113	□□□□	FRAME BODY NO. PLATE	1	
14	TBFF1114	□□□□ 3.2×7	RIVET3.2×7	2	
15	TBFF1115	□□□□□□□□	HANGER COMP ENGINE	1	
16	TBFF1116	□□□	SEAT CABLE	1	



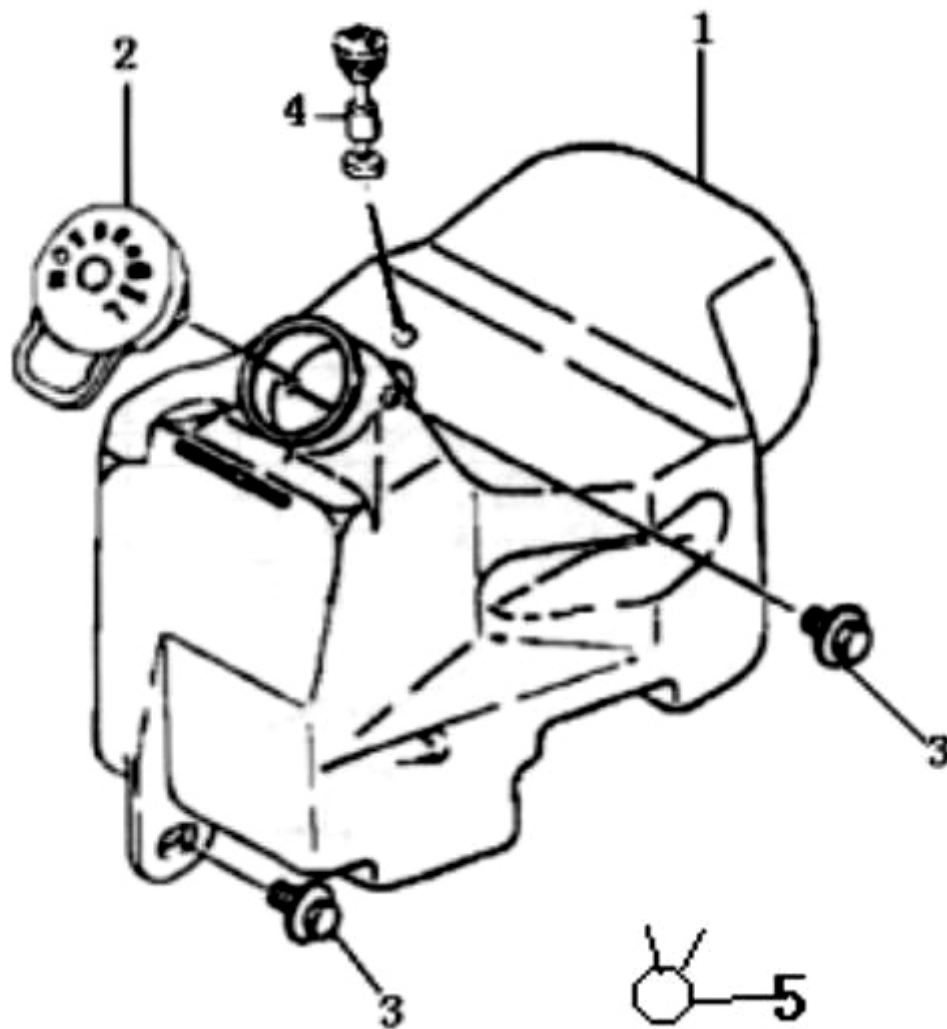
**F-12**

**REAR SHOCK ABSORBER ASSY**



**F-12****REAR SHOCK ABSORBER ASSY**

<b>Ref No</b>	<b>Part No</b>	<b>Chinese</b>	<b>Description</b>	<b>Qty</b>	<b>\$/PCS</b>
1	TBFF1201	□□□□□□	RR. SHOCK ABSORBER COMP. ASSY	1	
2	TBFF1202	□□ M8×31	FLANGE BOLT M8×31	1	
3	TBFF1203	□□ M10×40	BOLT W/HOLE 10×40	1	
4	TBFF1204	□□ M10×1.25	NUT 10×1.25	1	

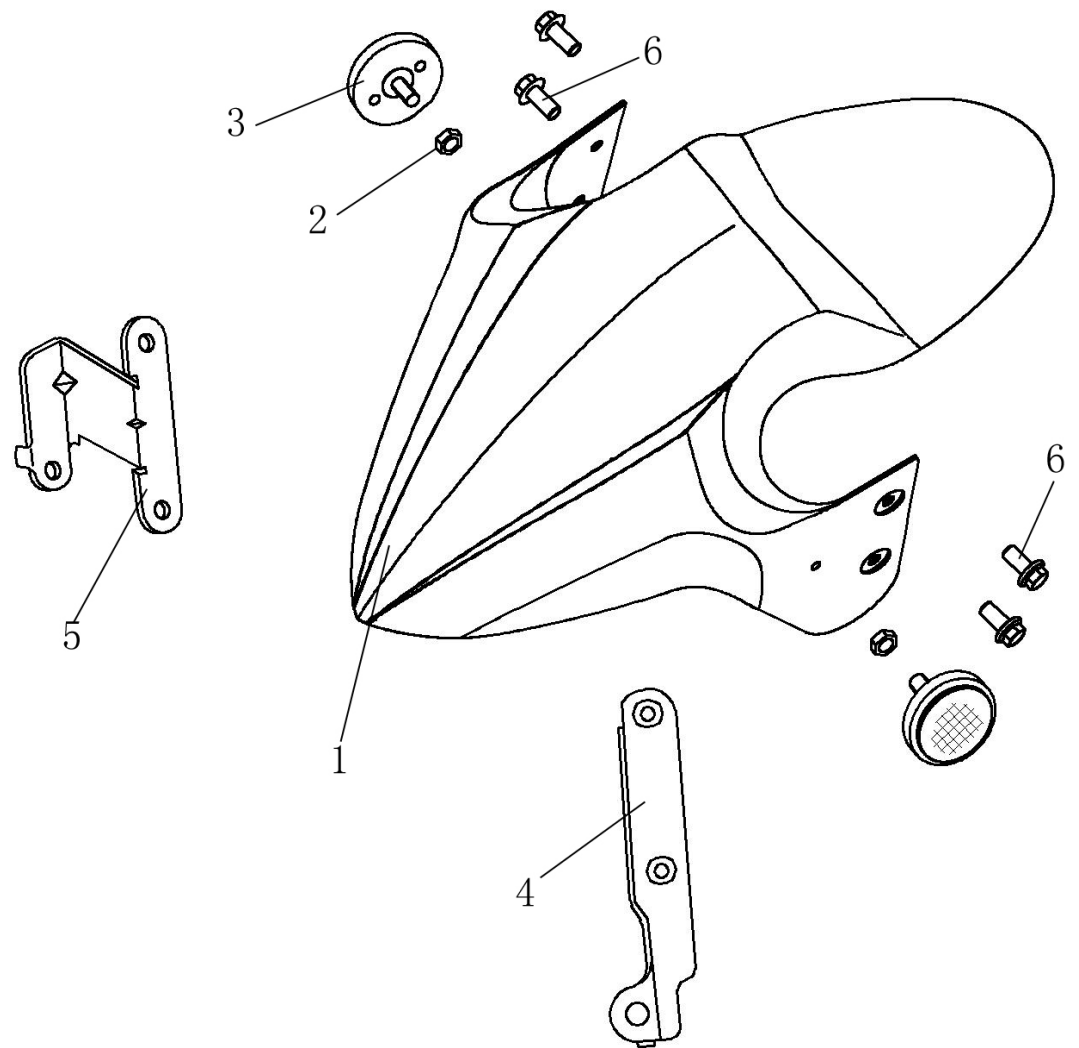


F-13

OIL TANK ASSY

**F-13****OIL TANK ASSY**

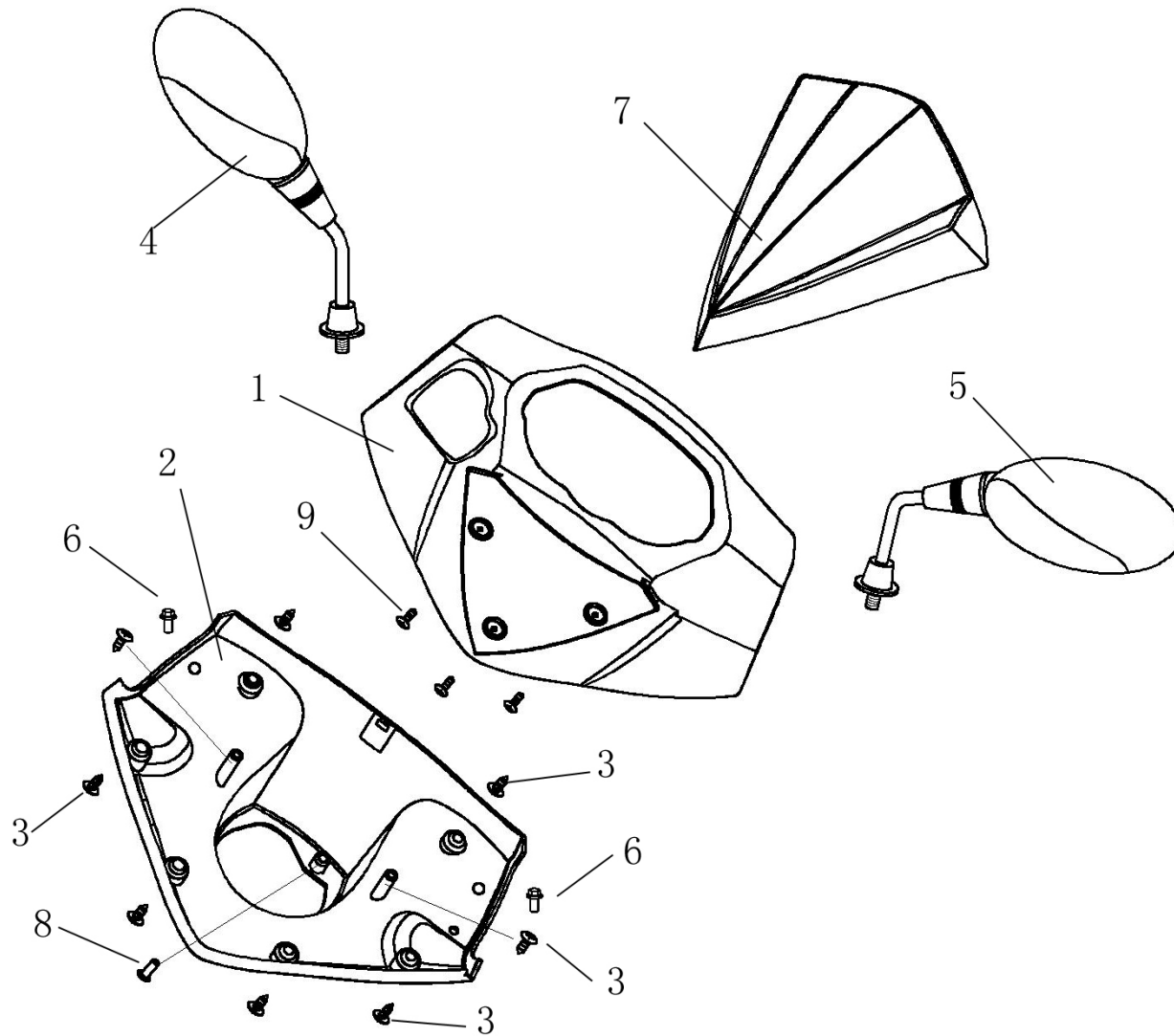
<b>Ref No</b>	<b>Part No</b>	<b>Chinese</b>	<b>Description</b>	<b>Qty</b>	<b>\$/PCS</b>
1	TBFF13 01	□□□	OIL TANK	1	
2	TBFF1302	□□□□□□	OIL TANK CAP	1	
3	TBFF1303	□□ GB5789	BOLT 6×16	2	
4	TBFF1304	□□□□□□□	OIL LEVER GAUGE ASSY.	1	
5	TBFF1305	□□ 8	CLIP 8	1	



**F-14 FRONT FENDER**

**F-14****FRONT FENDER**

<b>Ref No</b>	<b>Part No</b>	<b>Chinese</b>	<b>Description</b>	<b>Qty</b>	<b>\$/PCS</b>
1	TBKF1401	□□□□	FRONT FENDER □ SILVER	1	
2	TBFF1402	□□ GB6177	FLANGE NUT 6MM	2	
3	TBFF1403	□□□□	REAR REFLECTOR	2	
4	TBFF1404	□□□□□□, 1	FRONT FENDER BRACKET, 1	1	
5	TBFF1405	□□□□□□, 2	FRONT FENDER BRACKET, 2	1	
6	TBKF1406	□□□□□□□□	SCREW W/WASHER 6×16	4	

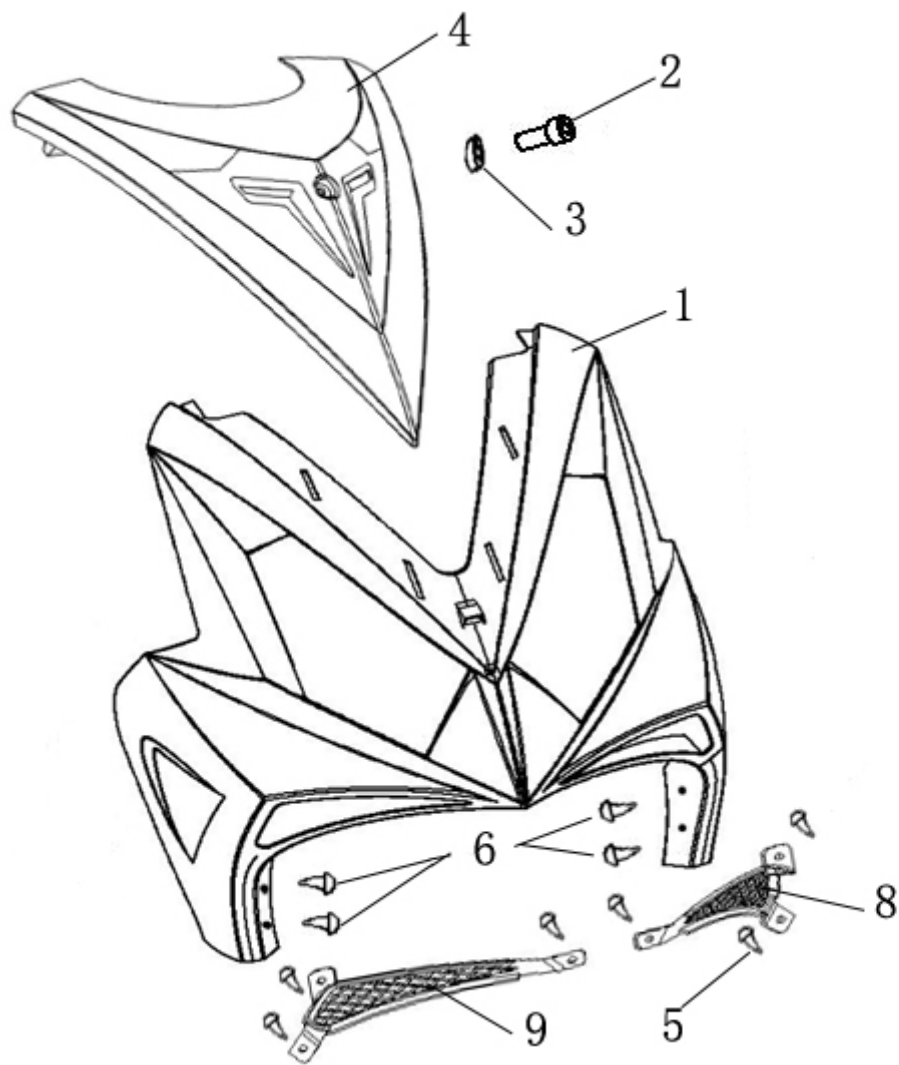


**F-15**

**HANDLE COVER**

**F-15****HANDLE COVER**

<b>Ref No</b>	<b>Part No</b>	<b>Chinese</b>	<b>Description</b>	<b>Qty</b>	<b>\$/PCS</b>
1	TBKF1501	□ □ □ □ □ □	HANDLE COVER, 1, ANTHRAZIT	1	
2	TBKF1502	□ □ □ □ □ □	HANDLE COVER, 2	1	
3	TBKF1503	□ □ □ □ ST	TAPPING SCREW 4.8×12	8	
4	TBFF1504	□ □ □ □	REAR VIEW MIRROR ASSY., 2	1	
5	TBFF1505	□ □ □ □	REAR VIEW MIRROR ASSY., 1	1	
6	TBKF1506	□ □ M6×12	TAPPING SCREW M6×12	2	
7	TBKF1507	□ □ □ □ □ □	METER VISION ASSY.	1	
8	TBKF1508	□ □ M5×14	SCREW M5×14	1	
9	TBKF1509	□ □ □ □ ST3×10	TAPPING SCREW 3×10	3	



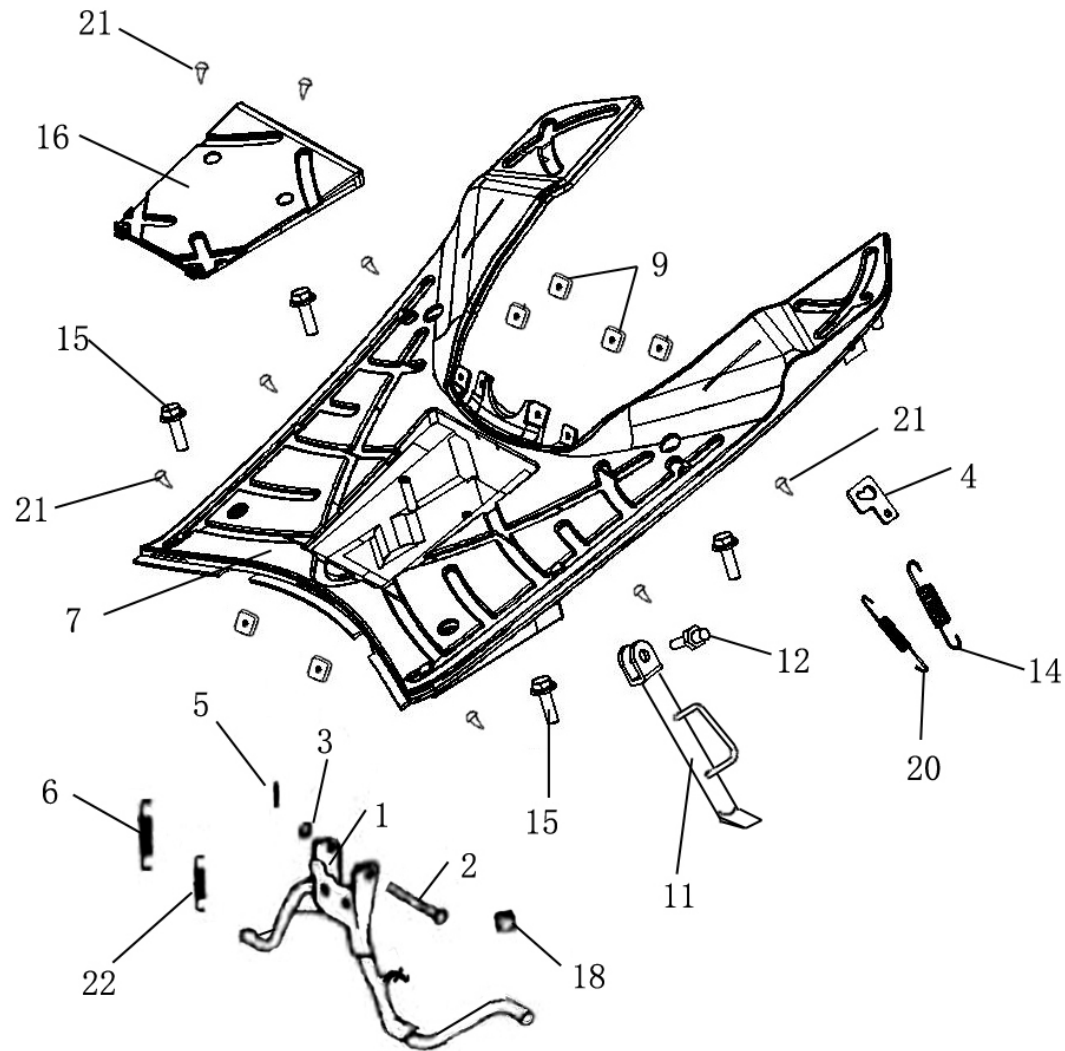
**F-16**

**COVER.FB ASSY**



**F-16****COVER.FB ASSY**

<b>Ref No</b>	<b>Part No</b>	<b>Chinese</b>	<b>Description</b>	<b>Qty</b>	<b>\$/PCS</b>
1	TBKF1601	□□	FRONT SHIELD	1	
2	TBFF1602	□□□□□□□□	SCREW	1	
3	TBFF1603	□□□□	SET OFF APERUTRE LID	1	
4	TBKF1604	□□□	FRONT SMALL SHIELD	1	
5	TBKF1605	□□□□ ST4.2×12	TAPPING SCREW 4.2×12	6	
6	TBKF1606	□□□□ ST4.8×12	TAPPING SCREW 4.8×12	4	
8	TBKF1608	□□□□	LEFT BLOWHOLE	1	
9	TBKF1609	□□□□	RIGHT BLOWHOLE	1	



**F-17**

**/**

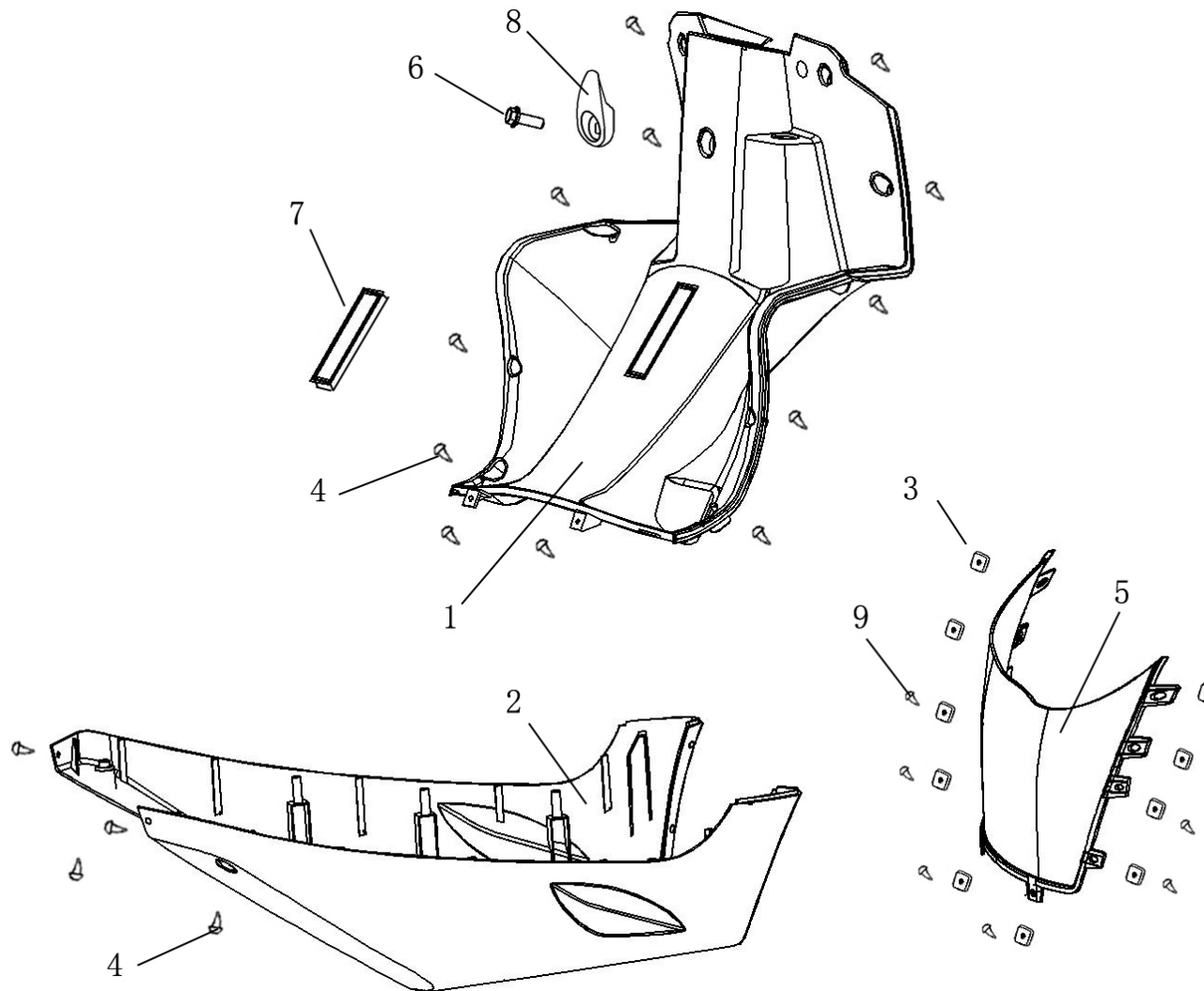
**FOOTREST/STAND**

**F-17**

/

**FOOTREST/STAND**

Ref No	Part No	Chinese	Description	Qty	\$/PCS
1	TBFF1701	□□□□	MAIN STAND COMP.	1	
2	TBFF1702	□□□	PIN	1	
3	TBFF1703	□□	O-RING 10×1.8	1	
4	TJ7F0305	□□□□□	IRON SLICE	1	
5	TBFF1705	□□□	SPLIT PIN	1	
6	TBFF1706	□□□□	TENSION SPRING	1	
7	TBKF1707	□□□	FLOOR	1	
9	TBFF1709	□□ 4.2	SPRING NUT 4	6	
11	TBFF1711	□□□□	SIDE STAND COMP.	1	
12	TBFF1712	□□□□	BOLT, SIDE STAND MOUNTING	1	
14	TBFF1714	□□□□	TENSION SPRING	1	
15	TBFF1715	□□	BOLT 6×12	4	
16	TBKF1716	□□□□	BATTERY COVER	1	
18	TBFF1718	□□□□□□	CUSHION, MID STAND	1	
20	TBFF1720	□□□□ 2	TENSION SPRING	1	
21	TBFF1721	□□□□ ST4.8×12	TAPPING SCREW 4.8×12	8	
22	TBFF1722	□□□□ 2	TENSION SPRING	1	



**F-18**

/

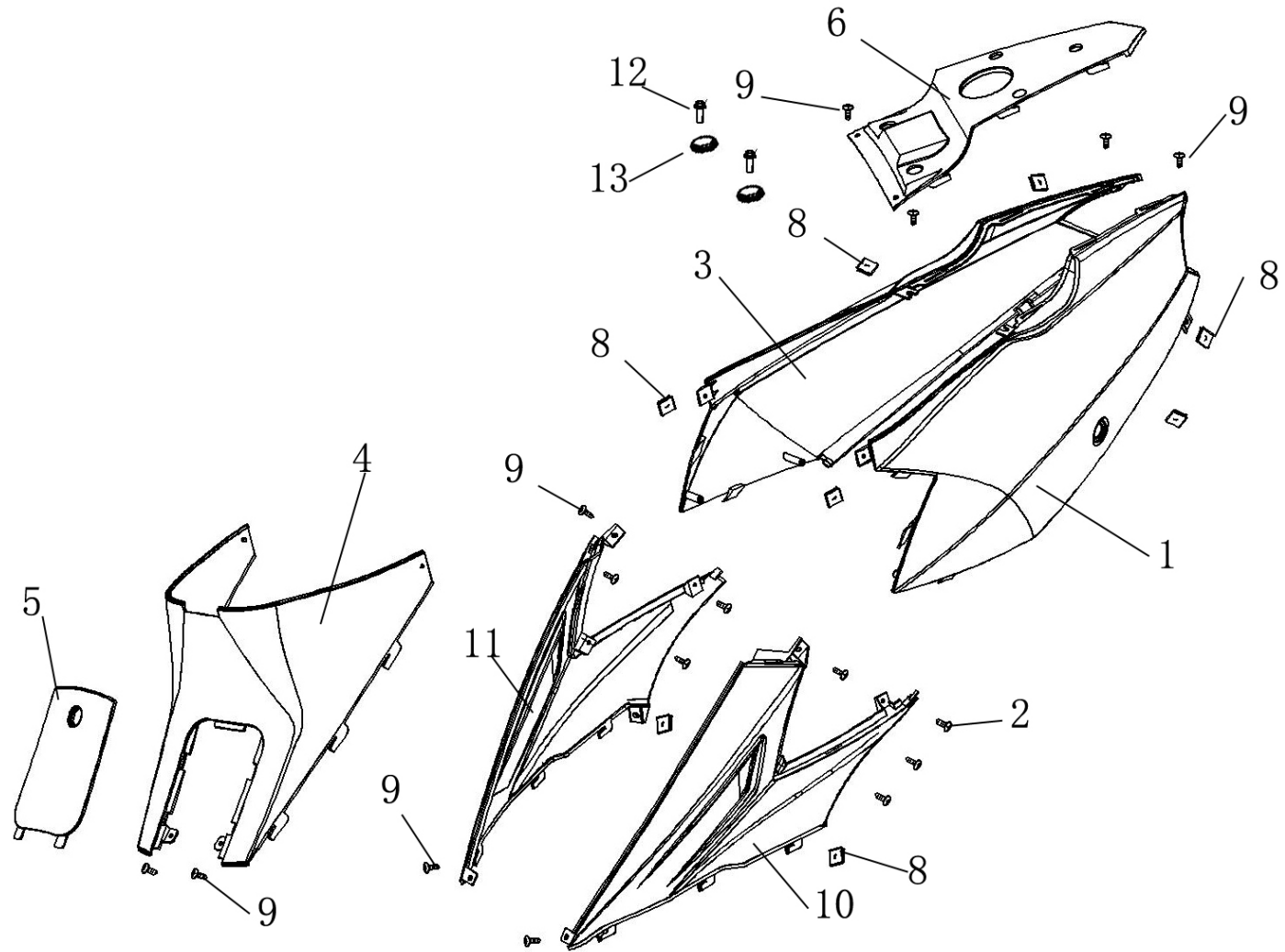
**LEG SHIELD**

**F-18**

/

**LEG SHIELD**

<b>Ref No</b>	<b>Part No</b>	<b>Chinese</b>	<b>Description</b>	<b>Qty</b>	<b>\$/PCS</b>
1	TBKF1801	□□□□	LEG SHIELD, 2	1	
2	TBKF1802	□□□□□	UNDER COVER	1	
3	TBFF1803	□□ 4.2	SPRING NUT 4MM	10	
4	TBFF1804	□□□□ ST4.8×16	TAPPING SCREW 4.8	16	
5	TBKF1805	□□□□□	INNER FENDER	1	
6	TBFF1806	□□ GB5789	BOLT6×30	1	
7	TBKF1807	□□□□□	INSPECT COVER	1	
8	TBFF1808	□□□□	HOOK, HELMET	1	
9	TBFF1809	□□□□ ST4×16	TAPPING SCREW 4×16	6	

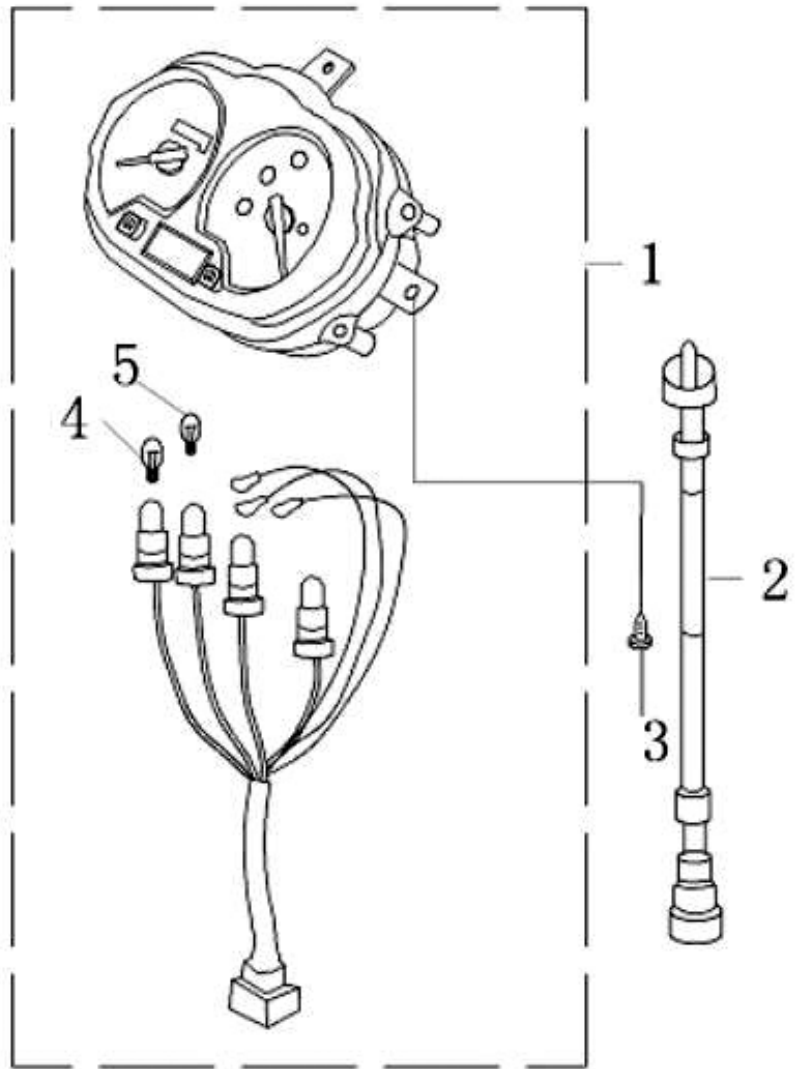


**F-19**

**SIDE COVER**

**F-19****SIDE COVER**

<b>Ref No</b>	<b>Part No</b>	<b>Chinese</b>	<b>Description</b>	<b>Qty</b>	<b>\$/PCS</b>
1	TBKF1901	□□□	LEFT SIDE COVER	1	
2	TBKF1902	□□□□ ST4.2×12	TAPPING SCREW 4.2×12	6	
3	TBKF1903	□□□	RIGHT SIDE COVER	1	
4	TBKF1904	□□□	CENT COVER	1	
5	TBKF1905	□□□	OIL COVER	1	
6	TBKF1906	□□□	TAIL COVER	1	
8	TBKF1908	□□ 4.2	SPRING NUT 4.2	8	
9	TBKF1909	□□□□ ST4.8×12	TAPPING SCREW 4.8×12	10	
10	TBKF1610	□□□□	FL SIDE COVER	1	
11	TBKF1611	□□□□	FR SIDE COVER	1	
12	TBKF1612	□□	WASHER	2	
13	TBKF1613	□□ M6×10	BOLT M6×10	2	

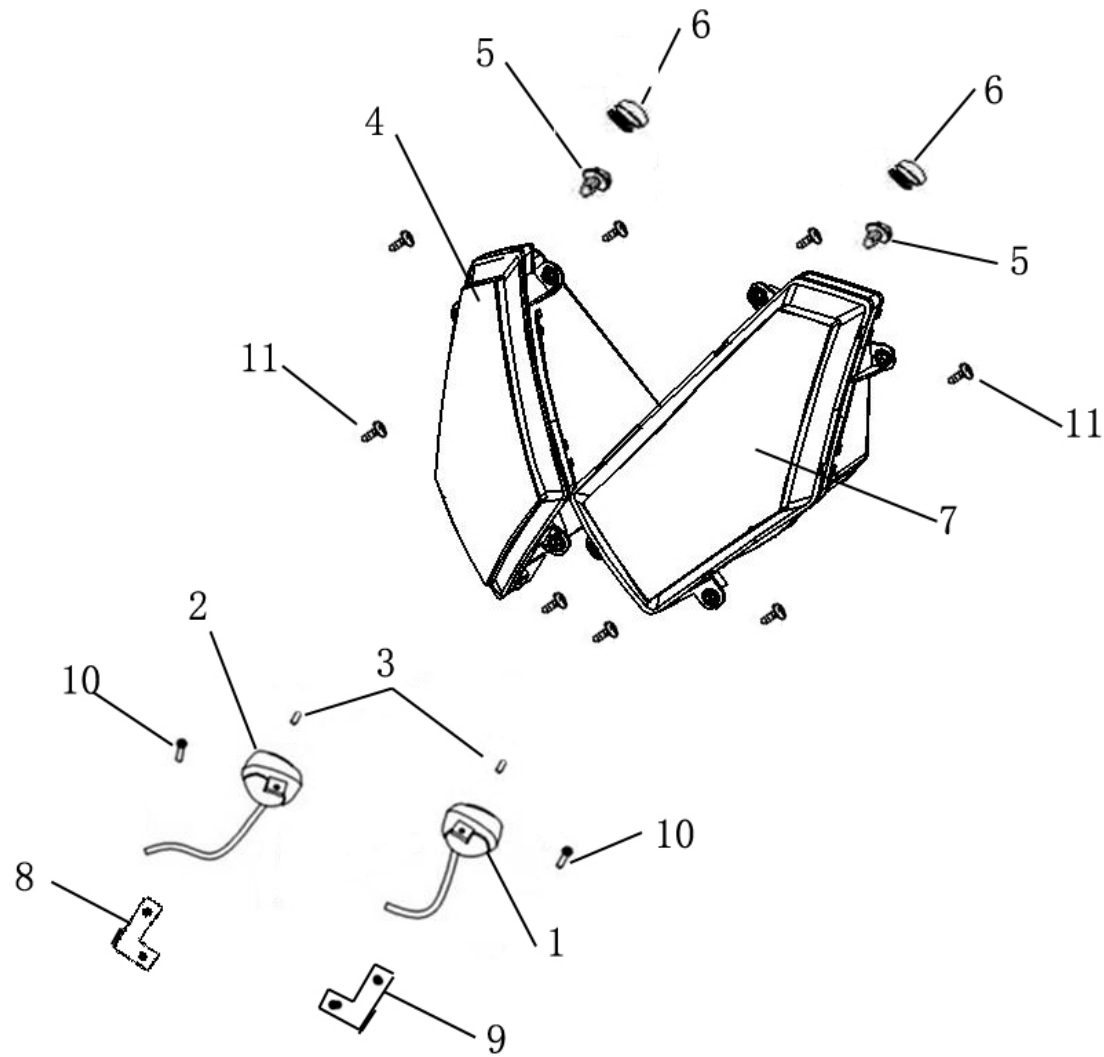


**F-20      SPEEDOMETER**



## F-20      SPEEDOMETER

Ref No	Part No	Chinese	Description	Qty	\$/PCS
1	TBFF2001	□□□□	SPEEDOMETER COMP.	1	
2	TBFF2002	□□□□	SPEEDOMETER CABLE COMP.	1	
3	TBFF2003	□□□□ ST4×12	TAPPING SCREW 4×12	3	
4	TBFF2004	□□ 12V-3.4W	BULB 12V-3.4W	1	
5	TBFF2005	□□ 12V-1.7W	BULB 12V-1.7W	4	



**F-21**

/

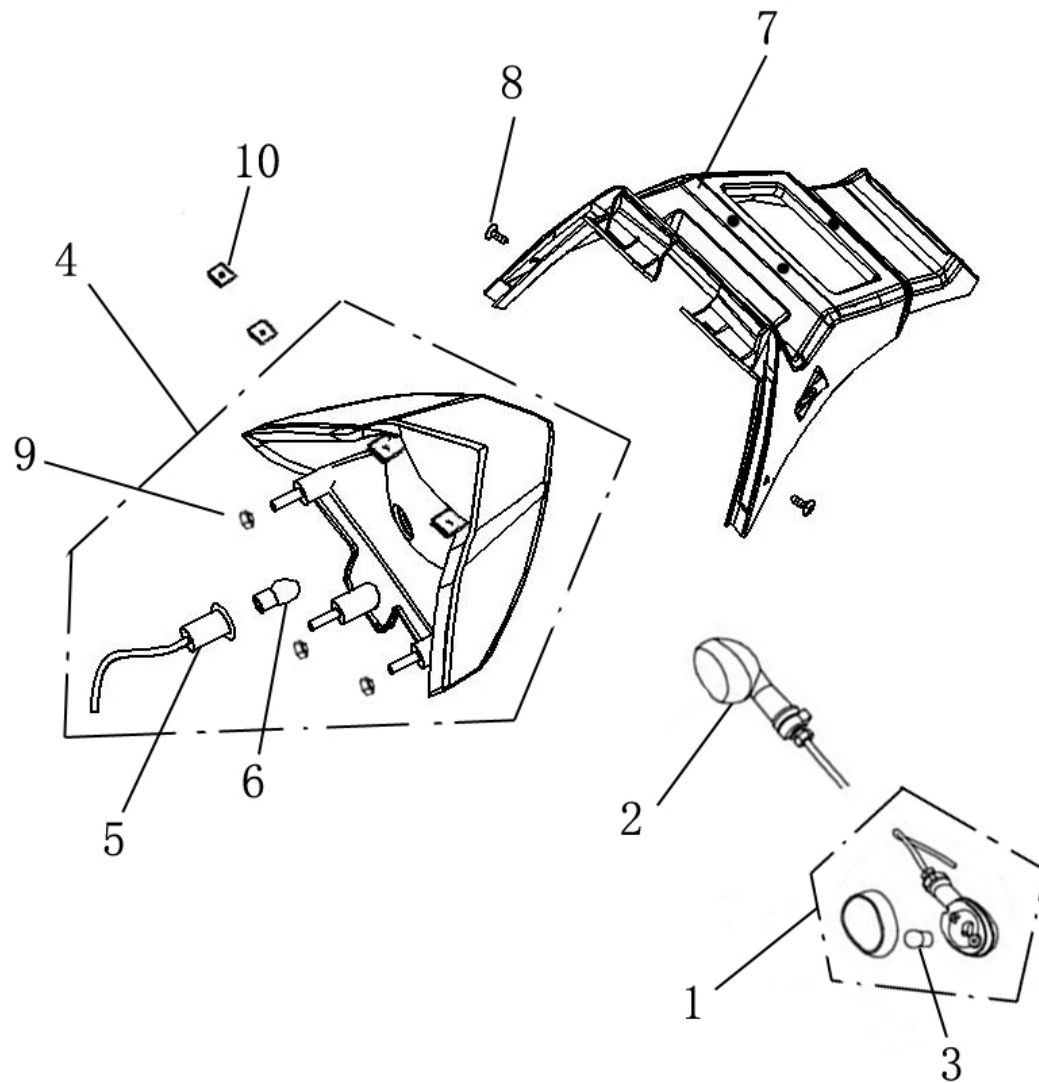
**FLASHER LIGHT/HEAD LIGHT**

**F-21**

/

**FLASHER LIGHT/HEAD LIGHT**

<b>Ref No</b>	<b>Part No</b>	<b>Chinese</b>	<b>Description</b>	<b>Qty</b>	<b>\$/PCS</b>
1	TBFF2101	□□□□□	FLASHERLIGHTASSY,L	1	
2	TBFF2102	□□□□□	FLASHERLIGHTASSY,R	1	
3	TBFF2103	□□	BULB,12V/10W	2	
4	TBKF2104	□□□□	RIGHTHEADLIGHTASSY.	1	
5	TBKF2105	□□□□□□	BULB 1,HEADLIGHT	2	
6	TBKF2106	□□□□□	HEADLIGHTBASE	2	
7	TBKF2107	□□□□	LEFTHEADLIGHTASSY.	1	
8	TBKF2108	□□□□□□□	LEFTHOLDER□FLASHERLIGHT.	1	
9	TBKF2109	□□□□□□□	RIGHTHOLDER□FLASHERLIGHT.	1	
10	TBKF2110	□□ ST5×16	BOLTM5×16	2	
11	TBKF2111	□□□□ ST4.8×12	TAPPINGSCREW4.8×12	8	

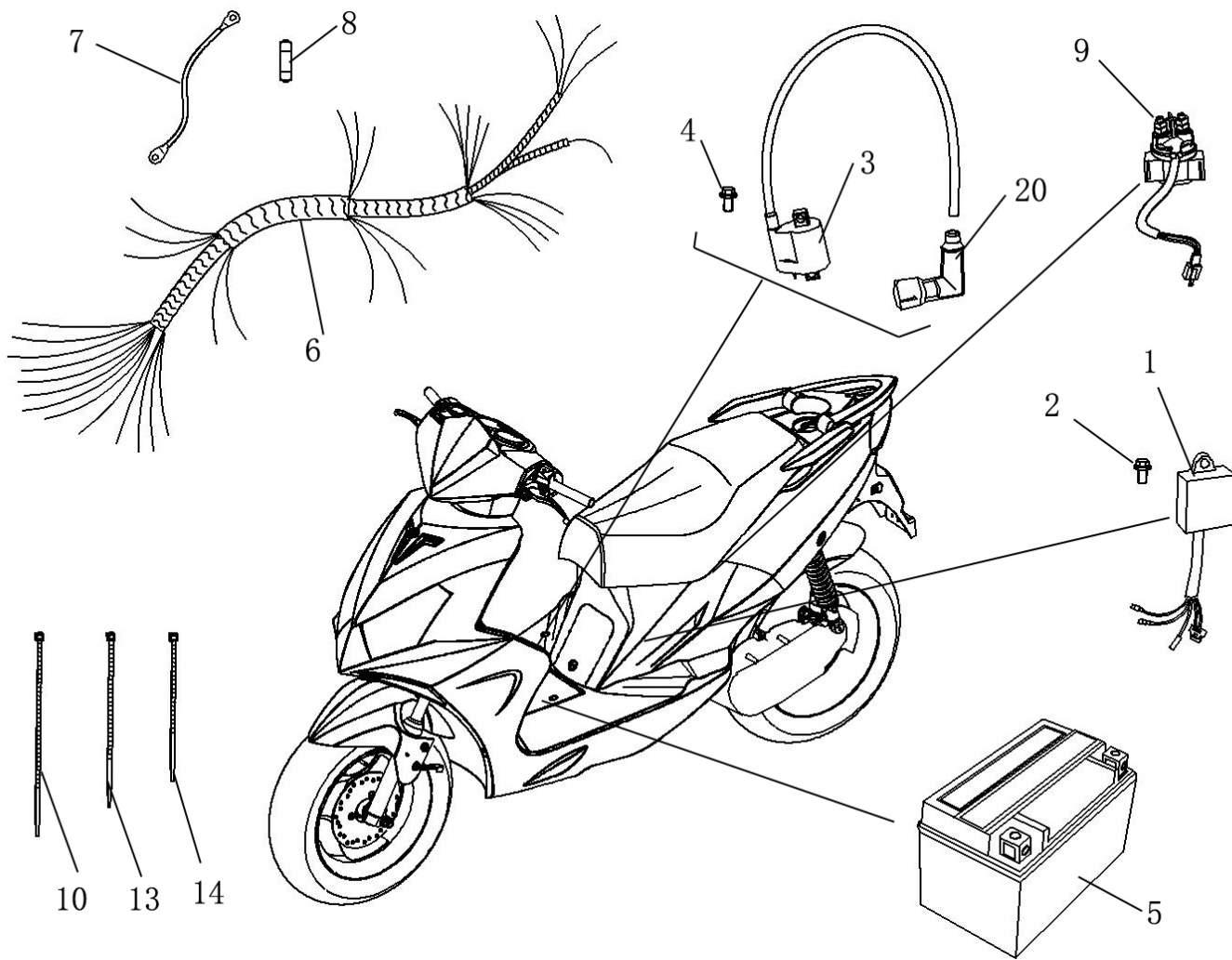


**F-22**

**TAIL LIGHT**

**F-22****TAIL LIGHT**

<b>Ref No</b>	<b>Part No</b>	<b>Chinese</b>	<b>Description</b>	<b>Qty</b>	<b>\$/PCS</b>
1	TBFF2201	□□□□□□□	FLASHER LIGHT ASSY., R	1	
2	TBFF2202	□□□□□□□	FLASHER LIGHT ASSY., L	1	
3	TBFF2203	□□□□	INDICATOR BULB □12V/10W	2	
4	TBKF2204	□□□□	TAIL LIGHT ASSY.	1	
5	TBKF2205	□□□□	TAIL LIGHT BASE	3	
6	TBKF2206	□□/□□□□□	BULB 12V 21/5W	1	
7	TBKF2207	□□□	LICENSE BRACKET	1	
8	TBKF2208	□□□□ ST4.8×12	TAPPING SCREW 4.8×12	3	
9	TBKF2209	□□□□	FLANGE NUT 6MM	3	
10	TBKF2210	□□ 4.2	SPRING NUT 4.2	2	

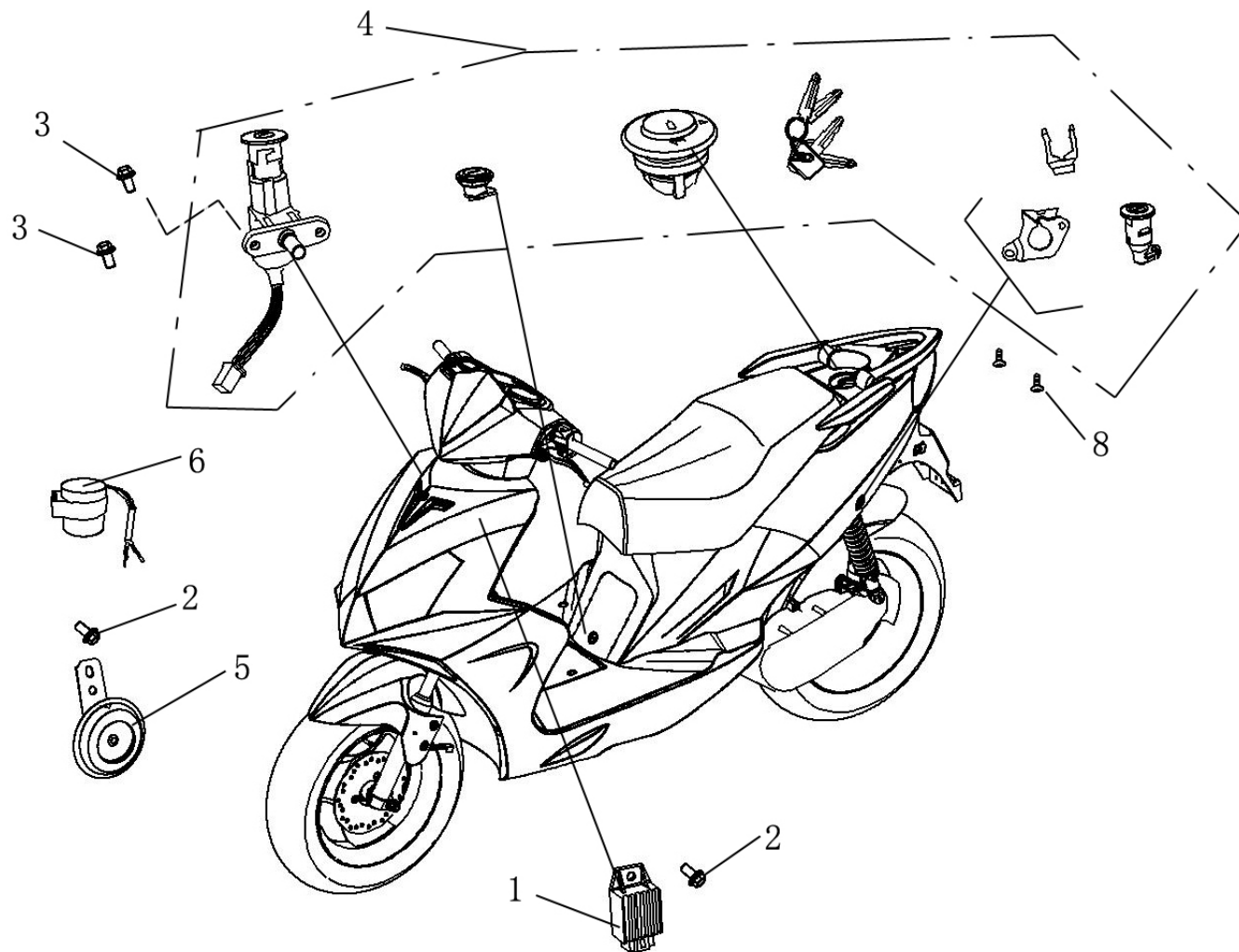


**F-23**

**I ELECTRICAL EQUIPMENT I**

**F-23****I ELECTRICAL EQUIPMENT I**

<b>Ref No</b>	<b>Part No</b>	<b>Chinese</b>	<b>Description</b>	<b>Qty</b>	<b>\$/PCS</b>
1	TBFF2301	□□□	C.D.I. UNIT COMP.	1	
2	TBFF2302	□□	BOLT 6×16	1	
3	TBFF2303	□□□□	IGNITION COIL ASSY.	1	
4	TBFF2304	□□	SCREW 5×20	1	
5	TBFF2305	□□□ 12V,4AH	BATTERY ASSY.	1	
6	TBFF2306	□□□□	WIRE HARNESS ASSY	1	
7	TBFF2307	□□□	WIRE HARNESS	2	
8	TBFF2308	□□□	FUSE 8A,250V	1	
9	TBFF2309	□□□	STARTER RELAY COMP.	1	
10	TBFF2310	□□ 250mm	BAND 250MM	2	
13	TBFF2313	□□ 200mm	BAND 200MM	2	
14	TBFF2314	□□ 150mm	BAND 150MM	1	
20	TBFF2320	□□□□□□	COVER, IGNITION COIL	1	



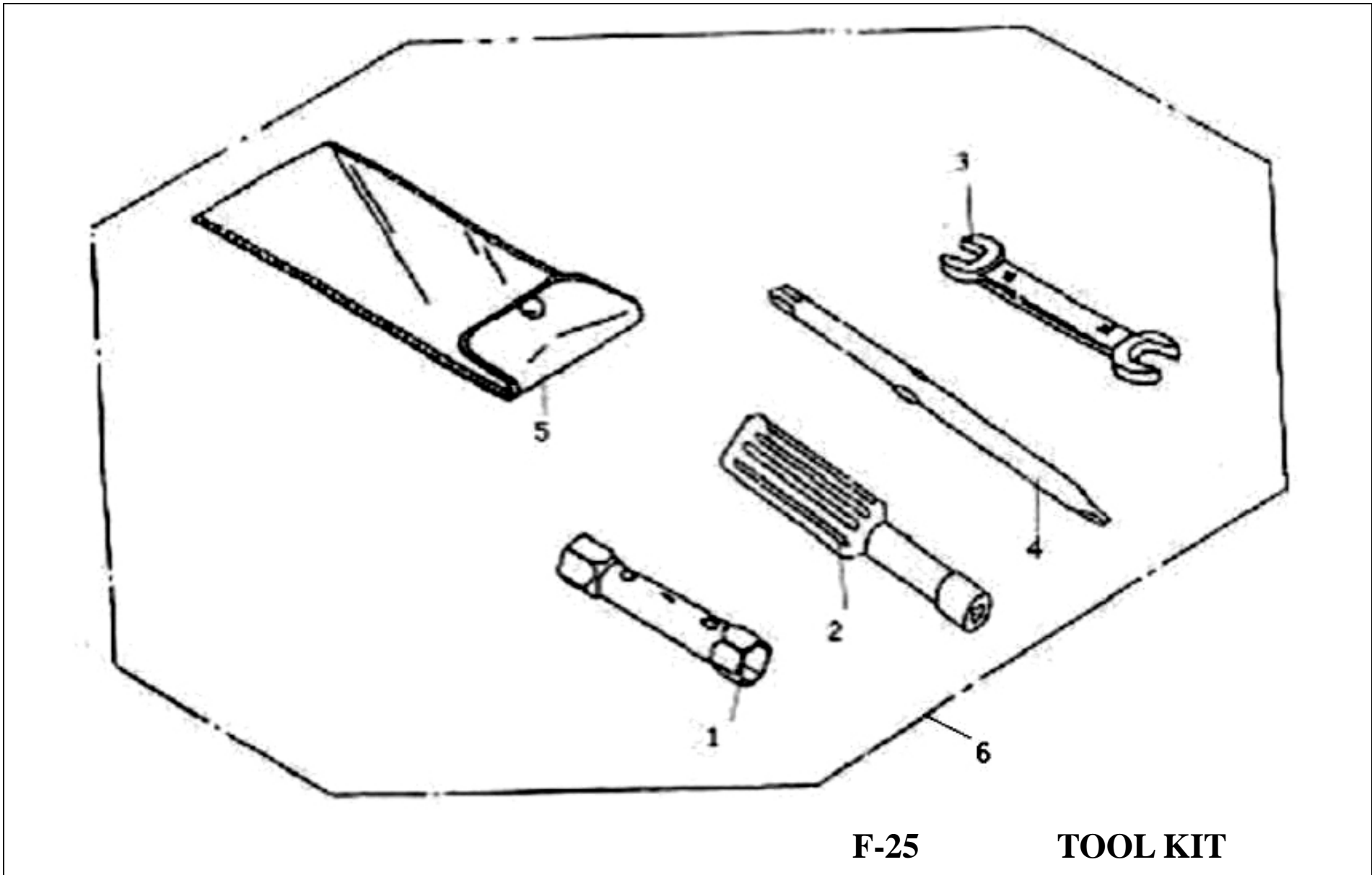
F-24

II ELECTRICAL EQUIPMENT II



**F-24****II ELECTRICAL EQUIPMENTII**

<b>Ref No</b>	<b>Part No</b>	<b>Chinese</b>	<b>Description</b>	<b>Qty</b>	<b>\$/PCS</b>
1	TBFF2401	□□□	REGULATOR COMP.	1	
2	TBFF2402	□□ M6×12	BOLT 6×12	2	
3	TBFF2403	□□□□	BOLT 6×16	2	
4	TBFF2404	□□□□	LOCK ASSY.	1	
5	TJ7F2909	□□	HORN	1	
6	TJ7F2905	□□□	FLASHER	1	
8	TBFF2408	□□□□ SJ2823	TAPPING SCREW 4×10	2	



**F-25****TOOL KIT**

<b>Ref No</b>	<b>Part No</b>	<b>Chinese</b>	<b>Description</b>	<b>Qty</b>	<b>\$/PCS</b>
1	TBFF2501	□□□□	WRENCH□EVE□18×19□	1	
2	TJ7F3102	□□□□	HANDLE□SCREW DRIVER	1	
3	TJ7F3103	□□□□	SPANNER□8×10	1	
4	TJ7F3104	□□□□□	SCREW DRIVER□DOUBLE USE	1	
5	TJ7F3105	□□□	TOOLS BAG	1	
6	TBFF2506	□□□□	TOOL KIT	1	

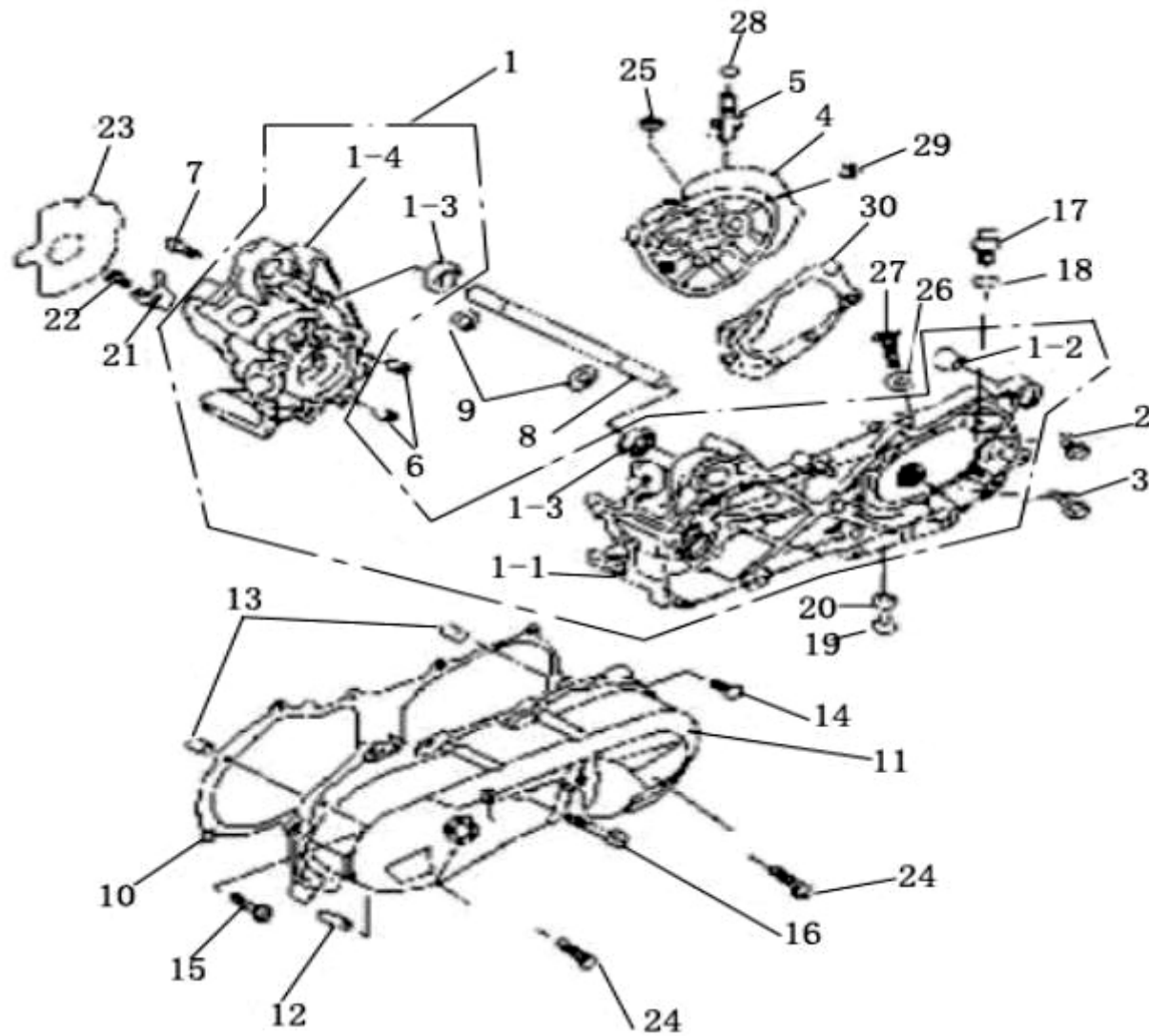


**F-26**

**ENGINE ATTACHMENT**

**F-26****ENGINE ATTACHMENT**

<b>Ref No</b>	<b>Part No</b>	<b>Chinese</b>	<b>Description</b>	<b>Qty</b>	<b>\$/PCS</b>
1	TBFF2601	□□□□	STARTING SHAFT	1	
2	TBFF2602	□□ M6×25	SCREW 6×25	1	

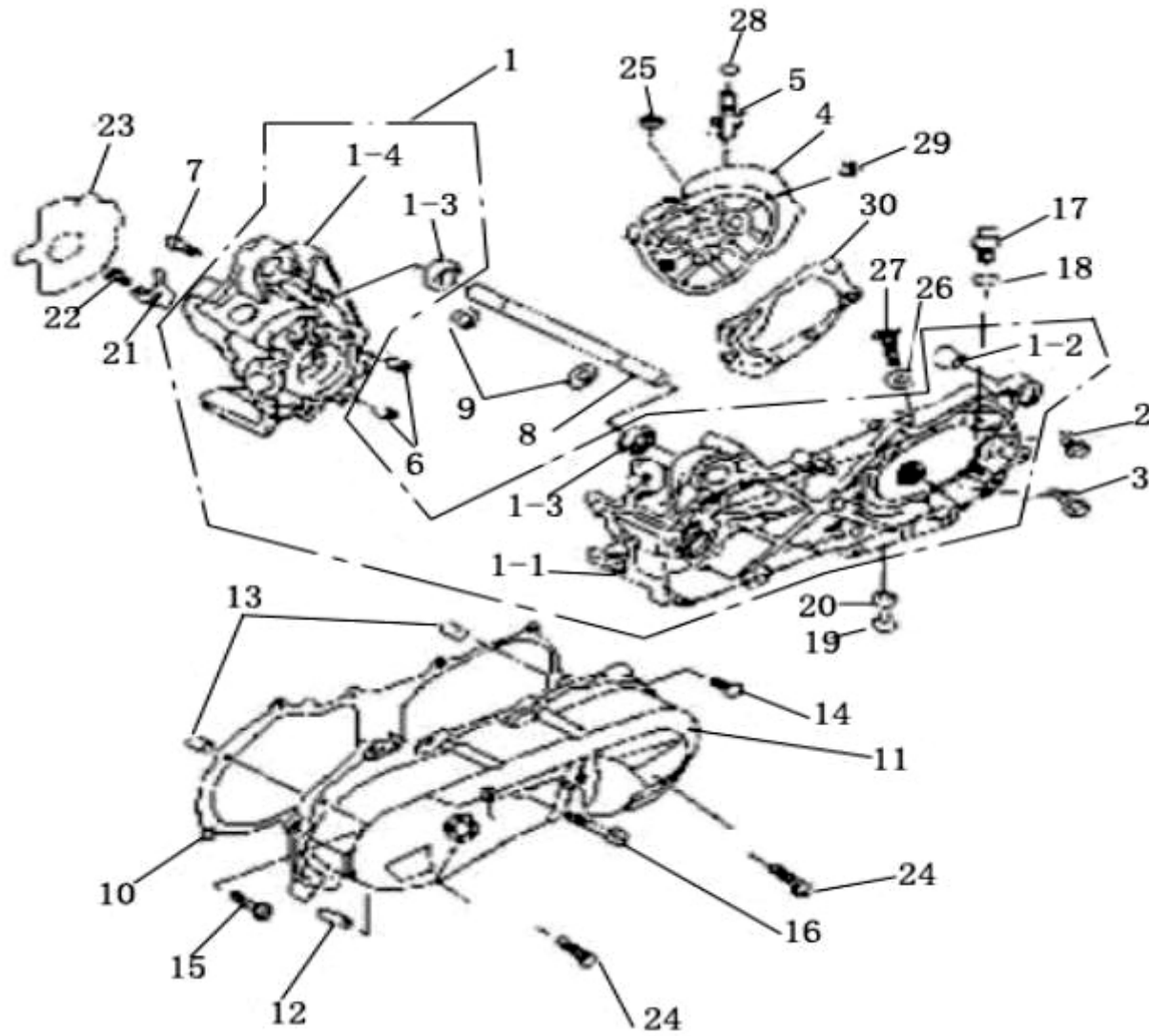


**E-1**

**CRANK CASE**

## E-1 CRANK CASE

Ref No	Part No	Chinese	Description	Qty	\$/PCS
1	TBFE0101	□□□□□□	CRANKCASE ASSY	1	
1-1	TBFE0131	□□□□	CRANKCASE,LH	1	
1-2	TBFE0132	□□□	GROMMT	1	
1-3	TBFE0133	□□ 6003	BEARING	2	
1-4	TBFE0134	□□□□	CRANKCASE,RH	1	
2	TBFE0102	□□ M8X55	SCREW M8X55	2	
3	TBFE0103	□□ M8X50	SCREW M8X50	5	
4	TBFE0104	□□□□	MISSION CASE	1	
5	TBFE0105	□□□□□□	BRAKE SHOE ANCHOR PIN ASSY	1	
6	TBFE0106	□□□ 12×16	DOWEL PIN	2	
7	TBFE0107	□□ M6×35	PAN HEAD SCREW	6	
8	TBFE0108	□□□□□□	AXLE, ENGINE MOUNT	1	
9	TBFE0109	□□ 17	CIRCLIP	2	
10	TBFE0110	□□□□	GASKET,L CRANKCASE	1	
11	TBFE0111	□□	L CRANKCASE COVER	1	
12	TBFE0112	□□	IDLE GEAR	1	
13	TBFE0113	□□□ 10×14	DOWEL PIN	2	
14	TBFE0114	□□ M6×25	PAN HEAD SCREW	8	
15	TBFE0115	□□ M6×35	PAN HEAD SCREW	2	
16	TBFE0116	□□ M6×65	PAN HEAD SCREW	1	
17	TBFE0117	□□	OIL PLUG	1	
18	TBFE0118	□□□	O RING	1	
19	TBFE0119	□□□□□□□ M8×16	FLANGE BOLT	1	



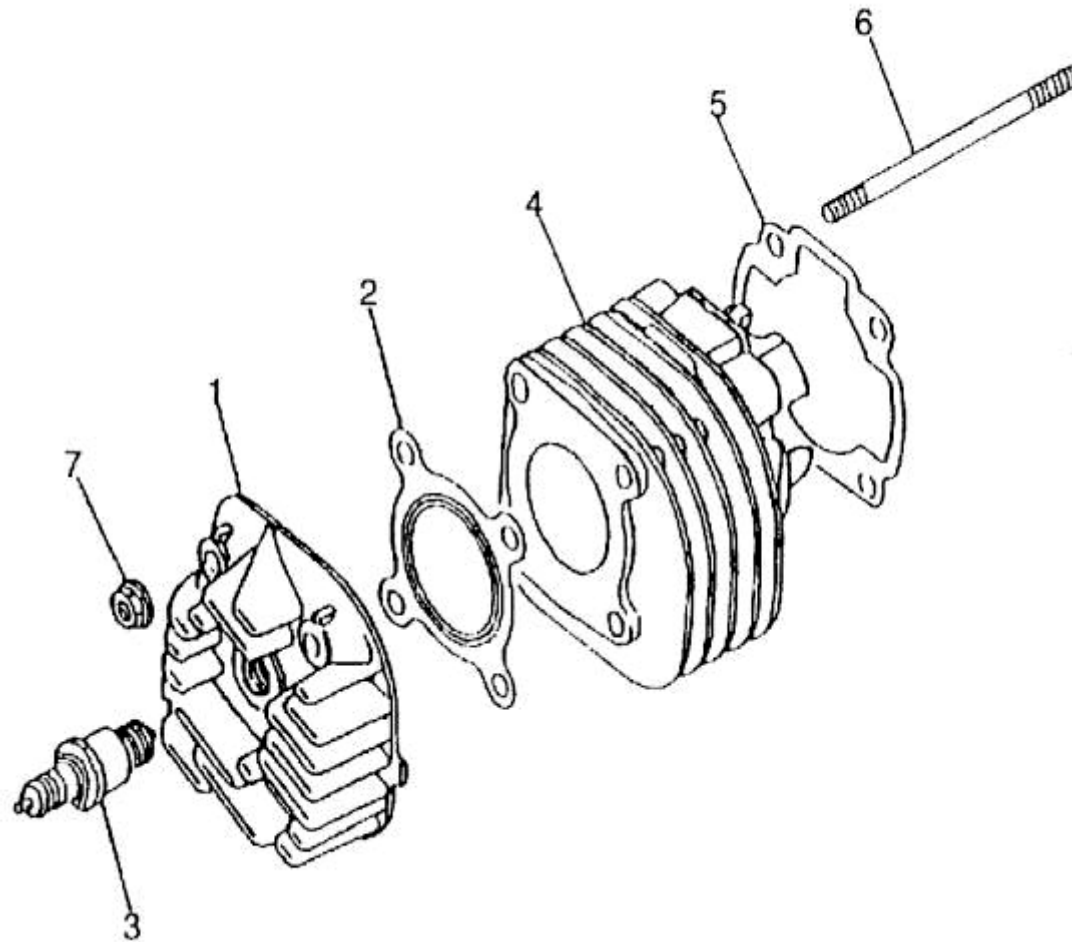
**E-1**

**CRANK CASE**



## E-1      CRANK CASE

Ref No	Part No	Chinese	Description	Qty	\$/PCS
20	TBFE0120	□□□ 8	PLATE WASHER	1	
21	TBFE0121	□□	OIL SEAL HOLDER	1	
22	TBFE0122	□□ M6×12	PAN HEAD SCREW	1	
23	TBFE0123	□□	GASKET	1	
24	TBFE0124	□□□□□□ M6×12	PAN HEAD SCREW	2	
25	TBFE0125	□□ M8	NUT	1	
26	TBFE0126	□□	PLATE WASHER	1	
27	TBFE0127	□□ M6×10	PAN HEAD SCREW	1	
28	TBFE0128	O □□□□	O-RING	1	
29	TBFE0129	□□□ 12×16	DOWEL PIN	2	
30	TBFE0130	□□□□□□	MISSION CASE GASKET	1	

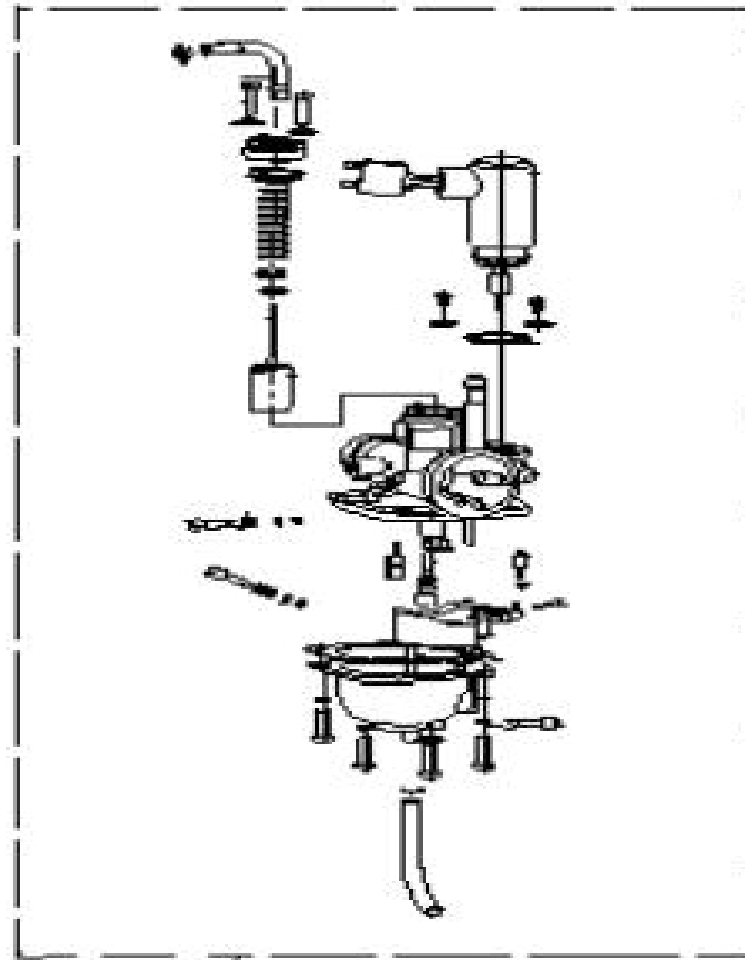


**E-2**

**CYLINDER HEAD ASSY**

## E-2 □□□□ CYLINDER HEAD ASSY

Ref No	Part No	Chinese	Description	Qty	\$/PCS
1	TBFE0201	□□□	HEAD□CYLINDER	1	
2	TBFE0202	□□□□□	GASKET□CYLINDER HEAD	1	
3	TBFE0203	□□□	SPEAK PLUG	1	
4	TBFE0204	□□□	CYLINDER	1	
5	TBFE0205	□□□□□	GASKET□CYLINDER	1	
6	TBFE0206	□□□□	STUD BOLT	4	
7	TBFE0207	□□□□□□□ M7	NUT	4	



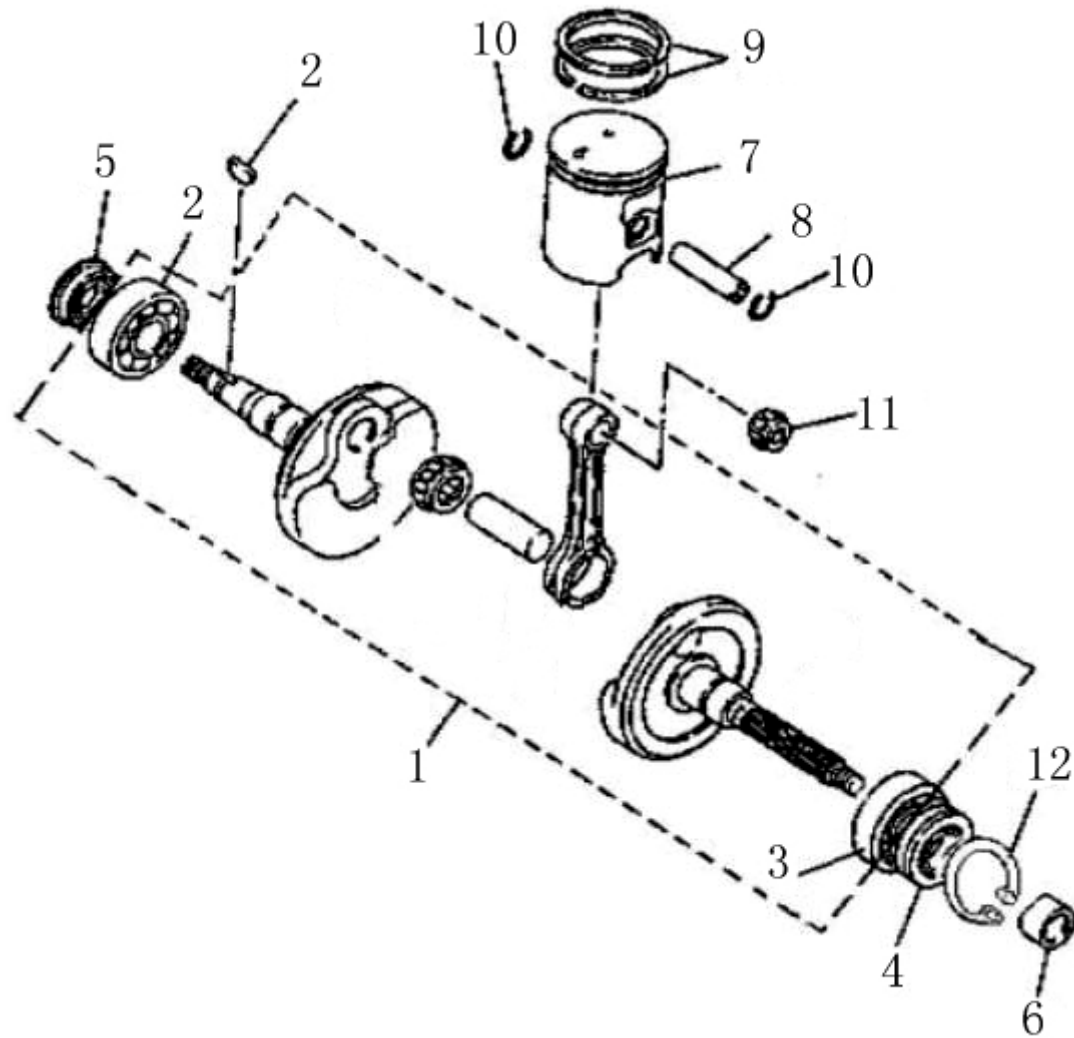
1

**E-3**

**CARBURETOR**

**E-3****CARBURETOR**

<b>Ref No</b>	<b>Part No</b>	<b>Chinese</b>	<b>Description</b>	<b>Qty</b>	<b>\$/PCS</b>
1	TBFE0301	□□□□□	CARBURETOR ASSY	1	

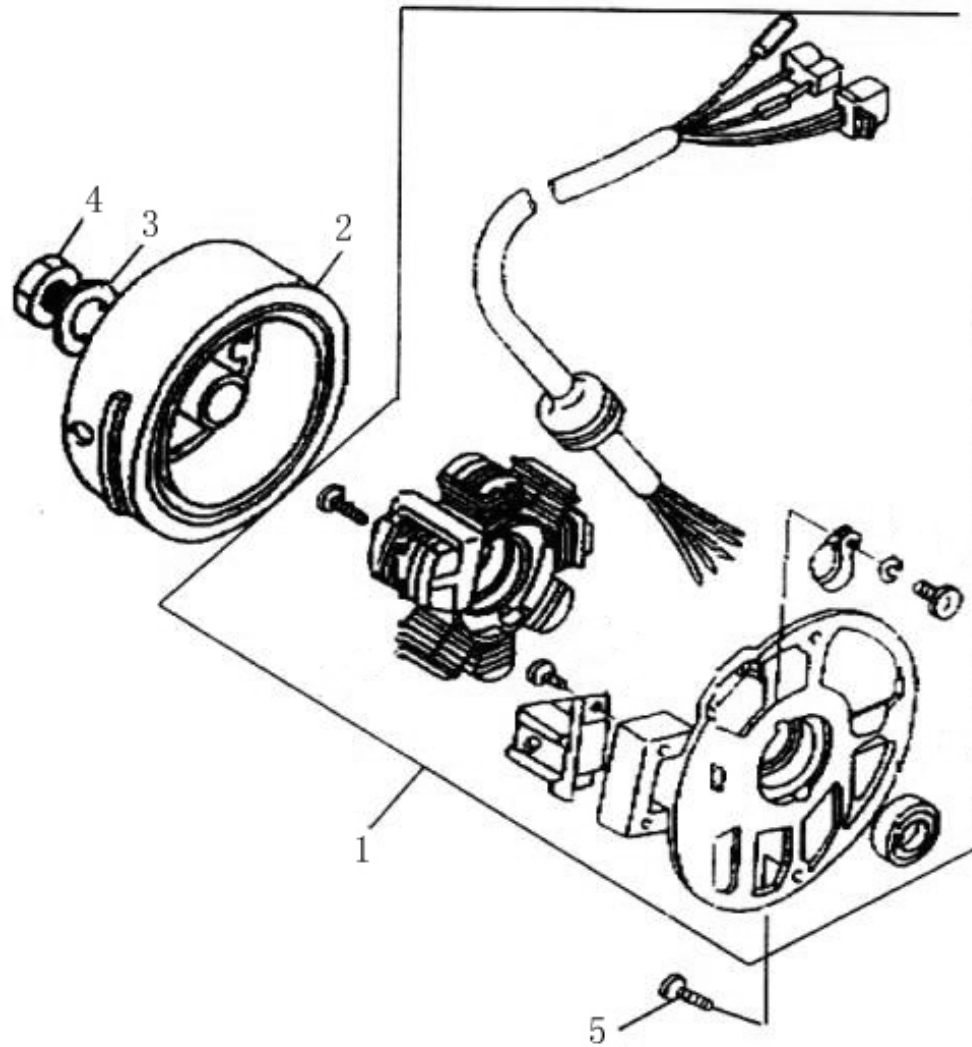


**E-4**

**CRANK SHAFT PISTON**

**E-4****CRANK SHAFT PISTON**

<b>Ref No</b>	<b>Part No</b>	<b>Chinese</b>	<b>Description</b>	<b>Qty</b>	<b>\$/PCS</b>
1	TBFE0401	□□□□□□	CRANKCHAFT□ASSY	1	
2	TBFE0402	□ 3X5X13	WOODRUFF KEY	1	
3	TBFE0403	□□□□ 6204/P53	NEEDLE BEATRING	2	
4	TBFE0404	□□□□ 20×42×8	OIL SEAL	1	
5	TBFE0405	□□□□ 20×30×6	OIL SEAL ASSY	1	
6	TBFE0406	□□	COLLAR	1	
7	TBFE0407	□□□□	PISTON ASSY	1	
8	TBFE0408	□□□	PISTON PIN	1	
9	TBFE0409	□□□	PISTON RING ASSY	2	
10	TBFE0410	□□	CIRCLIP	2	
11	TBFE0411	□□□□	NEEDLE BEARING	1	
12	TBFE0412	□□	CIRCLIP	1	



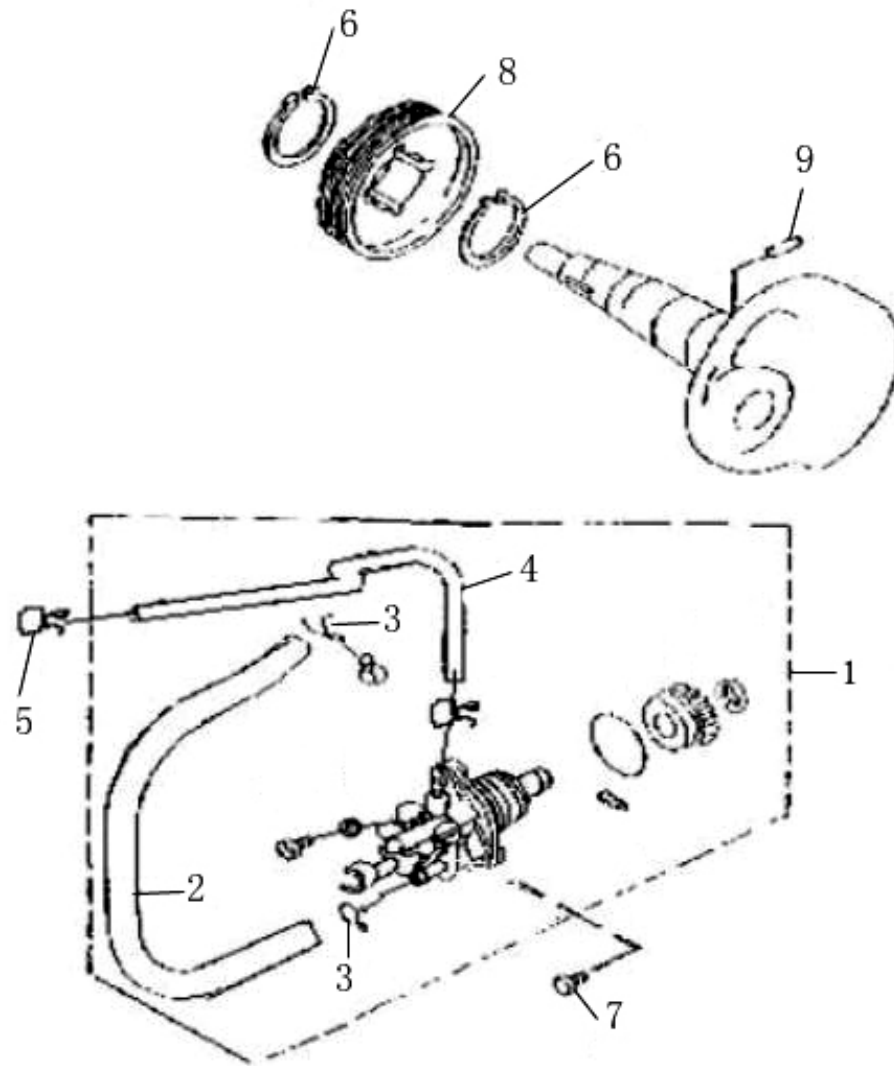
**E-5**

**MAGNETO ASSY**



## E-5                      MAGNETO ASSY

<b>Ref No</b>	<b>Part No</b>	<b>Chinese</b>	<b>Description</b>	<b>Qty</b>	<b>\$/PCS</b>
1	TBFE0501	□□□□	STATOR ASSY	1	
2	TBFE0502	□□□□	ROTOR ASSY	1	
3	TBFE0503	□□ 12-140HV	WASHER	1	
4	TBFE0504	□□ M12X1.25	NUT	1	
5	TBFE0505	□□ M6X16	NUT	2	

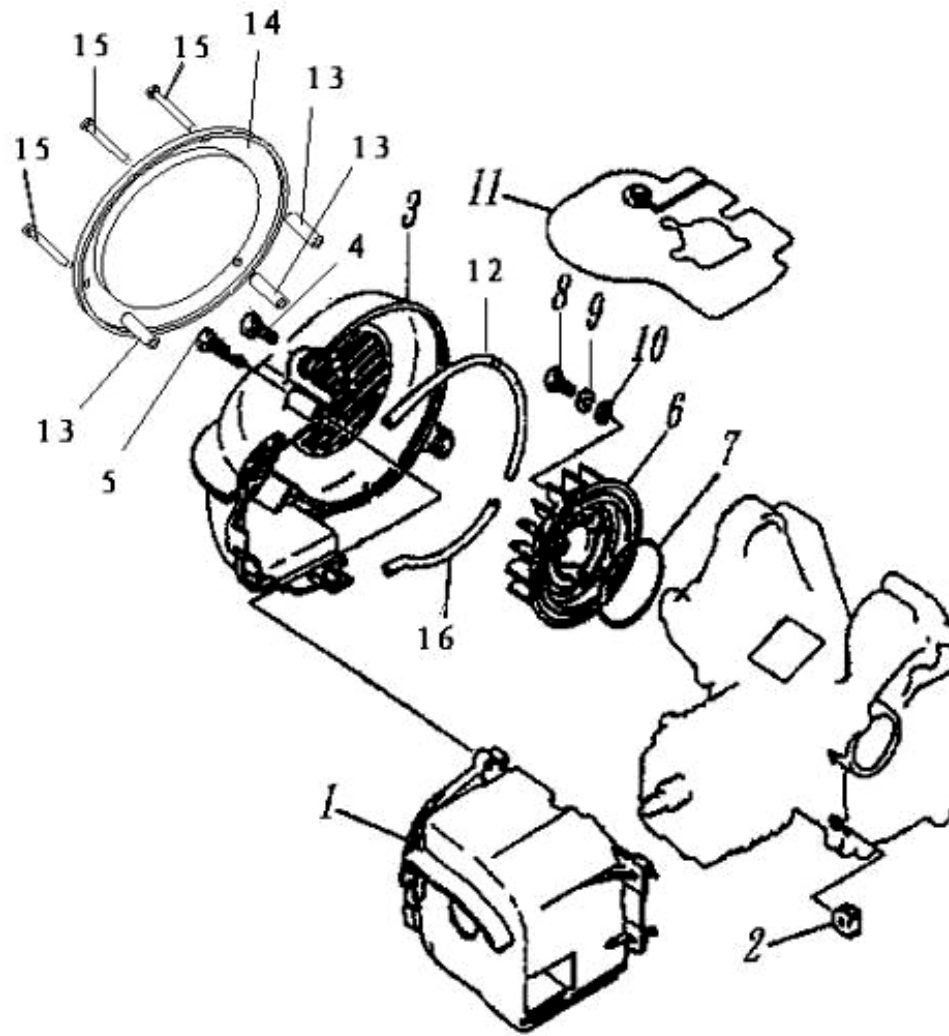


**E-6**

**OIL PUMP ASSY**

**E-6****OIL PUMP ASSY**

<b>Ref No</b>	<b>Part No</b>	<b>Chinese</b>	<b>Description</b>	<b>Qty</b>	<b>\$/PCS</b>
1	TBFE0601	□□□□□□	OIL PUMP ASSY	1	
2	TBFE0602	□□□	HOSE	1	
3	TBFE0603	□□□□□	HOSE CLIP	2	
4	TBFE0604	□□□	HOSE	1	
5	TBFE0605	□□□□□	HOSE CLIP	1	
6	TBFE0606	□□ 19	CIRCLIP	2	
7	TBFE0607	□□ M5×14	SCREW	2	
8	TBFE0608	□□	PUMP DRIVE GEAR	1	
9	TBFE0609	□ C3×14	PIN	1	

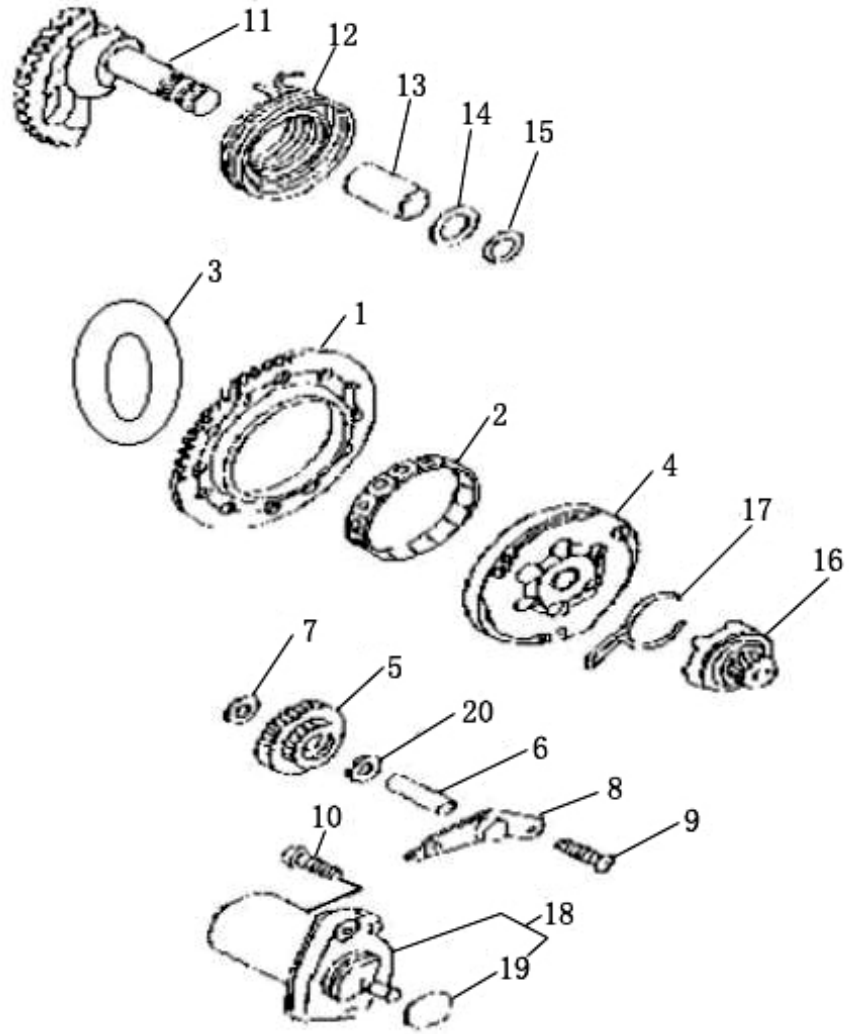


E-7

AIR COOLING SYSTEM

**E-7****AIR COOLING SYSTEM**

<b>Ref No</b>	<b>Part No</b>	<b>Chinese</b>	<b>Description</b>	<b>Qty</b>	<b>\$/PCS</b>
1	TBFE0701	□□□□□	COWLINGCYLINDER	1	
2	TBFE0702	□□□	GROMMET	2	
3	TBFE0703	□□□□□	COELINGEAN	1	
4	TBFE0704	□□ M6×20	BOLT	2	
5	TBFE0705	□□□□ ST5.5×40-E	SCREW	1	
6	TBFE0706	□□□□	EAN ASSY	1	
7	TBFE0707	□□ 70×3.1	RUBBER RING	1	
8	TBFE0708	□□ M6×16	SCREW	3	
9	TBFE0709	□□□□Φ6	WASHER	3	
10	TBFE0710	□□□Φ6	WASHER	3	
11	TBFE0711	□□□	PLATE	1	
12	TBFE0712	□□□	MOLD,COWLING	1	
13	TBFE0713	□□	COLLOR	3	
14	TBFE0714	□□□	COVER	1	
15	TBFE0715	□□ M4×35	SCREW	3	
16	TBFE0716	□□□	MOLD,COWLING	1	

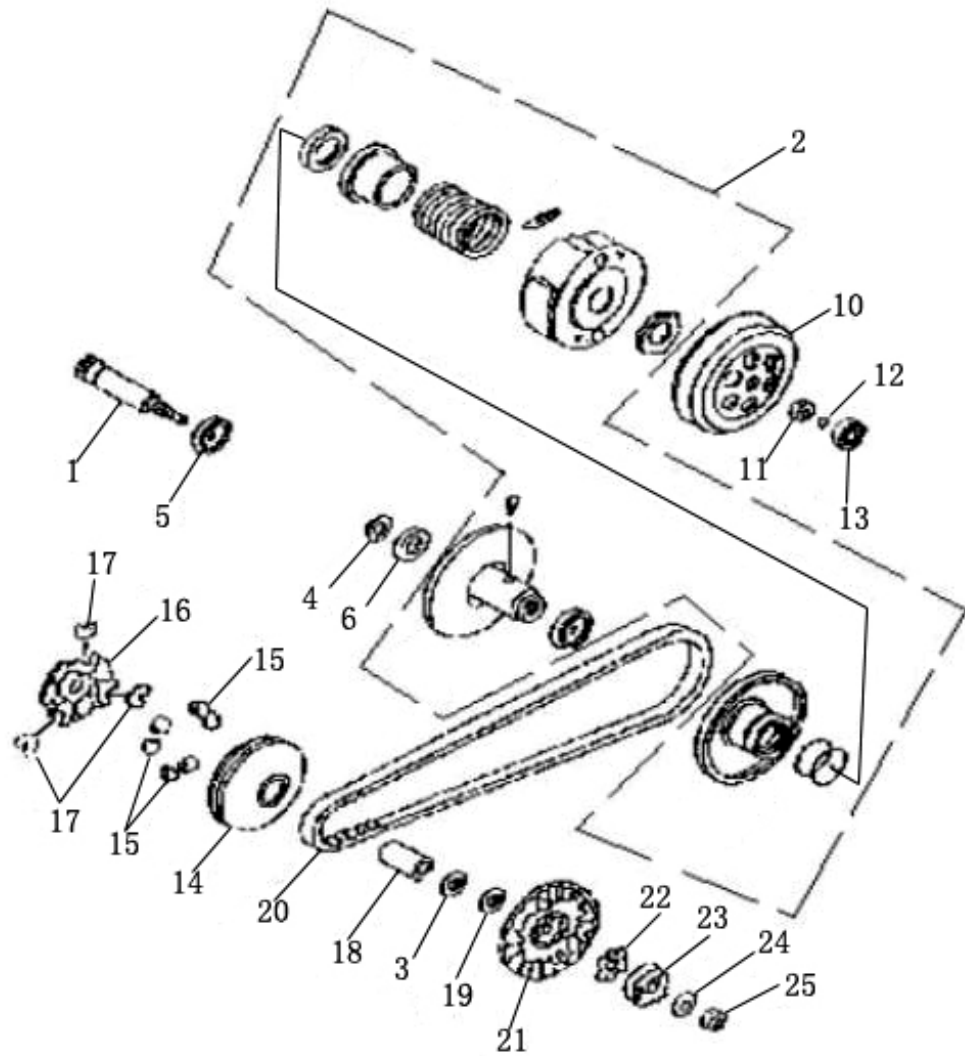


**E-8**

**KICK STARTER ASSY**

**E-8****KICK STARTER ASSY**

<b>Ref No</b>	<b>Part No</b>	<b>Chinese</b>	<b>Description</b>	<b>Qty</b>	<b>\$/PCS</b>
1	TBFE0801	□□□□□□□	START GEAR ASSY	1	
2	TBFE0802	□□□□ 26400	NEEDLE BEARING	1	
3	TBFE0803	□□□	THRUST WASHER	1	
4	TBFE0804	□□□□□□□□	START CLUTCH ASSY	1	
5	TBFE0805	□□□□□□□	IDLE GEAR	1	
6	TBFE0806	□□	IDLE GEAR SHAFT	1	
7	TBFE0807	□□ 8	PLATE WASHER	1	
8	TBFE0808	□□	IDLE GEAR HOLDER	1	
9	TBFE0809	□□ M6×10	SCREW	2	
10	TBFE0810	□□ M6×20	SCREW	2	
11	TBFE0811	□□□□□□	SHAFT, KICK STARTER	1	
12	TBFE0812	□□□□□□	SPRING	1	
13	TBFE0813	□□□□□	BUSH	1	
14	TBFE0814	□□□□□□	WASHER KICK STARTER	1	
15	TBFE0815	□□ 15	CIRCLIP	1	
16	TBFE0816	□□□□□□	KICK PINION ASSY	1	
17	TBFE0817	□□□□□□	CLIP	1	
18	TBFE0818	□□□□□□□	STARTING MOTOR ASSY	1	
19	TBFE0819	O □□□□ 21.2×2.65	O-RING	1	
20	TBFE0820	□□ 8	PLATE WASHER	1	



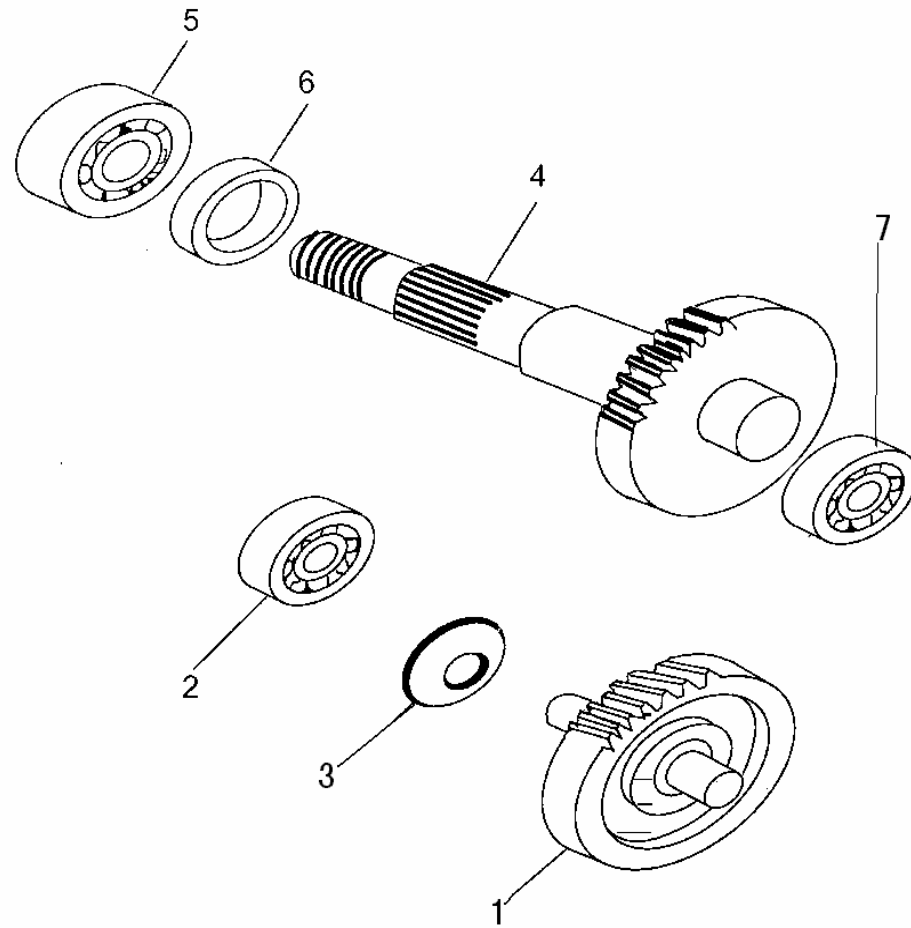
**E-9**

**CLUTCH ASSY**



**E-9****CLUTCH ASSY**

Ref No	Part No	Chinese	Description	Qty	\$/PCS
1	TBFE0901	□□□□□	PRIMARYDRIVEGEAR	1	
2	TBFE0902	□□□□□□□□□	DRIVEN PULLY and CLUTCH ASSY	1	
3	TBFE0903	□□□□	WASHER	1	
4	TBFE0904	□□□□ 17	CIRCLIP	1	
5	TBFE0905	□□ 6203	ROLING BEARING	1	
6	TBFE0906	□□ 17X35X7	OIL SEAL	1	
10	TBFE0910	□□□□□	HOUSING	1	
11	TBFE0911	□□□ M10×1	NUT	1	
12	TBFE0912	O □□ 6.7×3	O-RING	1	
13	TBFE0913	□□ 638Z	BEARING	1	
14	TBFE0914	□□□□□□□□□	FACE,MOVABLE DRIVE	1	
15	TBFE0915	□□□□	ROLLER	6	
16	TBFE0916	□□□□	PLATE,MOVABLE DRIVE	1	
17	TBFE0917	□□□	DAMPER	3	
18	TBFE0918	□□	COLLER	1	
19	TBFE0919	□□□□	WASHER	1	
20	TBFE0920	□□□□□□	V BELT□DRIVE	1	
21	TBFE0921	□□□□□□□	FACE□FIXED DRIVE	1	
22	TBFE0922	□□□	PLATE□WOODRUFF KEY	1	
23	TBFE0923	□□□	STARTING DISC	1	
24	TBFE0924	□□□□	WASHER□SPRING	1	
25	TBFE0925	□□ M12×1.25	NUT	1	

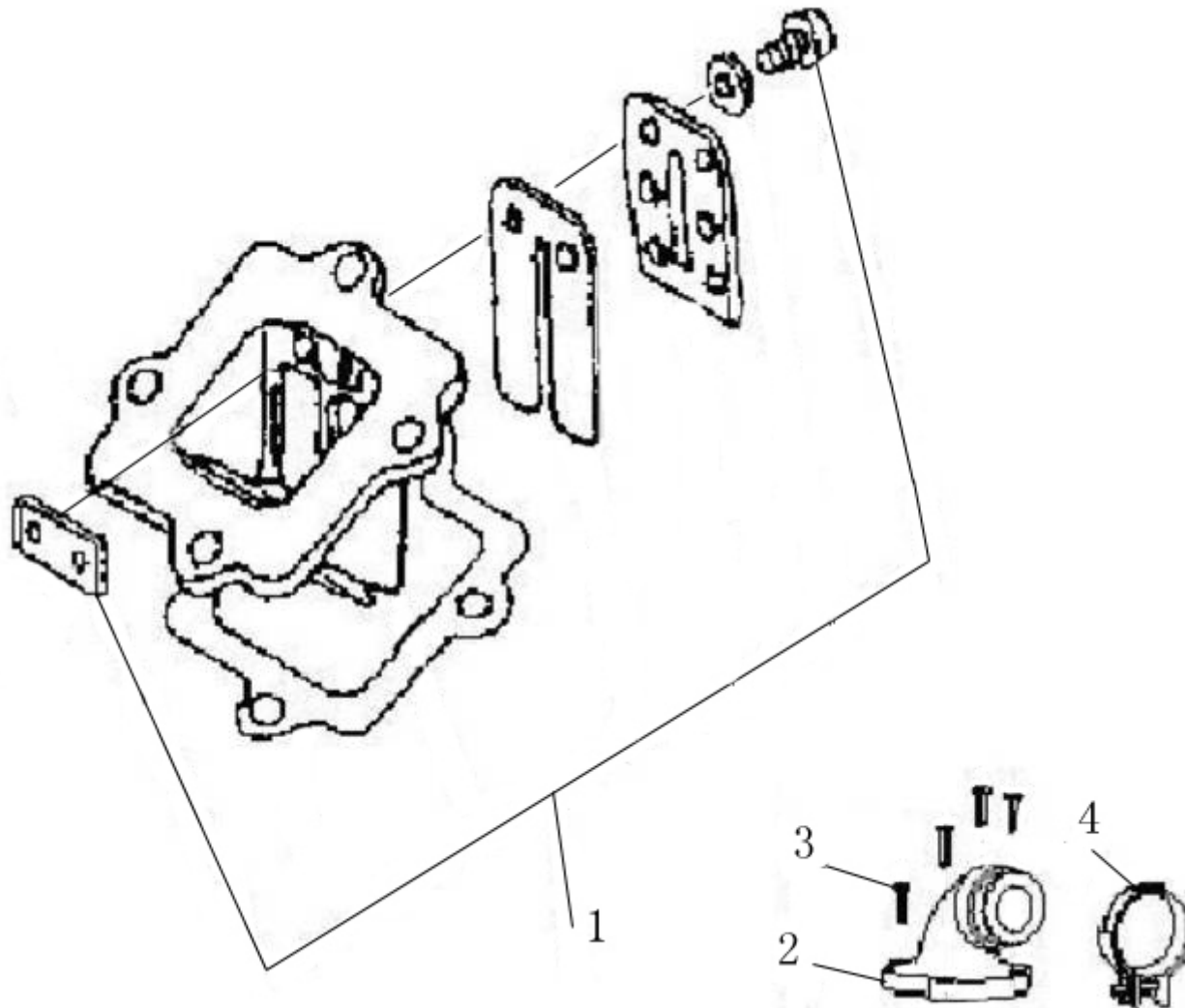


**E-10**

**TRANSMISSION SYSTEM ASSY**

**E-10****TRANSMISSION SYSTEM ASSY**

<b>Ref No</b>	<b>Part No</b>	<b>Chinese</b>	<b>Description</b>	<b>Qty</b>	<b>\$/PCS</b>
1	TBFE1001	□□□□□	SHAFT□IDLE	1	
2	TBFE1002	□□ 6200	BEARING 6200	1	
3	TBFE1003	□□□	WASHER□CONICAL	1	
4	TBFE1004	□□□□□	SHAFT□REAR BOX	1	
5	TBFE1005	□□□□ 6004	NEEDLE BEARING	1	
6	TBFE1006	□□□□□ 25×44×7	OIL SEAL	1	
7	TBFE1007	□□□□ 6202	NEEDLE BEARING	1	



**E-11**

**REED VALVE ASSY**

**E-11****REED VALVE ASSY**

<b>Ref No</b>	<b>Part No</b>	<b>Chinese</b>	<b>Description</b>	<b>Qty</b>	<b>\$/PCS</b>
1	TBFE1101	□□□□□□□□	REED VALVE ASSY	1	
2	TBFE1102	□□□	PIPE, INTAKE	1	
3	TBFE1103	□□□□□□□ M6×20	SCREW	4	
4	TBFE1104	□□	CLIP	1	

