



PIAGGIO & C.s.p.a.

aprilia

SPARE PARTS CATALOGUE



SRV 850 4T 8V E3 2012-2013

Chassis prefix: ZAPM55103, ZD4M55104, ZAPM55104

Engine prefix: M554M

SRV

NSG5000U01

Index

Finished products.....	4
Alphanumeric index.....	6
Engine.....	13
Table 01.02 - Engine, assembly.....	13
Table 01.05 - Crankcase.....	14
Table 01.06 - Crankshaft.....	16
Table 01.07 - Cylinder-piston-wrist pin unit.....	17
Table 01.10 - Head unit - Valve.....	18
Table 01.11 - Rocking levers support unit.....	20
Table 01.12 - Cylinder head cover.....	22
Table 01.13 - Driving pulley.....	23
Table 01.14 - Driven pulley.....	24
Table 01.15 - Crankcase cover - Crankcase cooling.....	25
Table 01.18 - Oil pump.....	26
Table 01.19 - Cooler pump.....	28
Table 01.20 - Stater - Electric starter.....	29
Table 01.21 - Flywheel magneto.....	30
Table 01.23 - Flywheel magneto cover - Oil filter.....	31
Table 01.25 - Reduction unit.....	32
Table 01.26 - Transmission assembly.....	33
Table 01.36 - Throttle body - Injector - Union pipe.....	35
Table 01.42 - Silencer.....	36
Table 01.45 - Air filter.....	38
Frame - Plastic parts - Coachwork.....	39
Table 02.01 - Frame/bodywork.....	39
Table 02.25 - Stand/s.....	40
Table 02.26 - Front shield.....	41
Table 02.27 - Windshield - Glass.....	43
Table 02.30 - Front glove-box - Knee-guard panel.....	44
Table 02.31 - Central cover - Footrests.....	46
Table 02.32 - Side cover - Spoiler.....	50
Table 02.33 - Wheel housing - Mudguard.....	52
Table 02.34 - Helmet housing - Undersaddle.....	54
Table 02.37 - Rear cover - Splash guard.....	55
Table 02.38 - Plates - Emblems.....	56
Table 02.39 - Saddle/seats - Tool roll.....	58
Table 02.45 - Driving mirror/s.....	59
Table 02.46 - Locks.....	60
Table 02.47 - Fuel tank.....	61
Table 02.55 - Cooling system.....	63
Handlebars/Steering.....	65
Table 03.02 - Meter combination - Cruscotto.....	65
Table 03.06 - Handlebars - Master cil.....	66

Suspensions - Wheels.....	68
Table 04.01 - Swinging arm.....	68
Table 04.02 - Fork/steering tube - Steering bearing unit.....	69
Table 04.10 - Rear suspension - Shock absorber/s.....	70
Table 04.11 - Front wheel.....	72
Table 04.12 - Rear wheel.....	73
Braking system - Transmissions.....	74
Table 05.01 - Brakes pipes - Calipers.....	74
Table 05.02 - Brakes pipes - Calipers (ABS).....	76
Table 05.03 - Transmissions.....	78
Electrical system.....	79
Table 06.01 - Selectors - Switches - Buttons.....	79
Table 06.03 - Front headlamps - Turn signal lamps.....	80
Table 06.04 - Rear headlamps - Turn signal lamps.....	81
Table 06.05 - Remote control switches - Battery - Horn.....	82
Table 06.06 - Voltage Regulators - Electronic Control Units (ecu) - H.T. Coil.....	83
Table 06.08 - Main cable harness.....	85

Finished products

Code	Validity
ESG5000HR1	
ESG5000HR2	
ESG5BMCHR1	
ESG5XNCHR1	
ESG5XNCHR2	
ESG6000HR1	
ESG6000HR2	
ESG6000J01	
ESG6000J02	
ESG6BMCHR1	
ESG6BMCJ01	Vehicle colour:White[525]
ESG6BMCJ02	
ESG6H4CHR1	Vehicle colour:Grey[760/B]
ESG6H4CHR2	Vehicle colour:Grey[760/B]
ESG6H4CJ01	Vehicle colour:Grey[760/B]
ESG6XNCHR1	
ESG6XNCJ01	
ESG6XNCJ02	
NSG5000U01	
NSG5000U02	
NSG5000U03	
NSG5BMCU01	Vehicle colour:White[525]
NSG5BMCU02	
NSG5BMCU03	Vehicle colour:White[525]
NSG5BMCZ01	
NSG5BMCZ03	
NSG5XNCU01	Vehicle colour:BLACK[98/A]
NSG5XNCU02	
NSG5XNCU03	Vehicle colour:BLACK[98/A]
NSG5XNCZ02	Vehicle colour:BLACK[98/A]
NSG6000U01	
NSG6000U02	
NSG6000U03	
NSG6000U04	
NSG6BMCU01	
NSG6BMCU02	
NSG6H4CU01	Vehicle colour:Grey[760/B]
NSG6H4CU02	Vehicle colour:Grey[760/B]
NSG6H4CU03	
NSG6H4CU04	Vehicle colour:Grey[760/B]
NSG6NNNU95	
NSG6XNCU01	



SRV
NSG5000U01 - SRV 850 4T 8V E3 2012-2013

Chassis prefix: ZAPM55103, ZD4M55104,
ZAPM55104
Engine prefix: M554M

Code	Validity
NSG6XNCU02	

Code	No. table	Pos.	Code	No. table	Pos.	Code	No. table	Pos.
000267	01.21	4	015911	06.01	4	191189	02.25	15
002139	02.31	39	015996	02.34	2	194945	01.15	10
002139	02.31	49	016404	02.37	7	195483	01.26	43
002440	02.25	10	016404	05.01	33	199190	02.34	23
002440	02.25	16	016405	01.20	12	217163	02.33	11
002440	04.01	11	016406	06.05	17	217163	02.33	5
002440	04.01	18	016406	06.06	11	217280	05.03	7
002440	04.10	28	016626	02.25	9	217280	06.08	16
003056	02.32	21	016626	04.01	17	217280	06.08	8
003056	06.06	36	016661	01.11	38	230359	02.30	16
003058	05.01	51	016670	02.31	15	230359	02.34	13
003058	05.02	51	016670	02.34	3	230359	02.34	6
003062	02.25	3	018509	02.47	28	231590	02.46	19
006408	02.31	40	018553	02.32	18	231590	06.08	11
006408	02.31	50	018553	02.45	3	239388	01.05	15
006624	04.10	38	018575	01.05	39	239388	01.15	6
006624	05.01	55	018575	01.05	41	241936	02.01	5
006624	05.02	55	018575	01.05	43	241936	02.46	8
006642	01.15	5	018575	01.18	13	246976	04.01	20
006647	04.10	2	018575	03.06	22	248419	01.45	21
006652	01.15	3	018603	01.15	22	248419	02.31	7
006662	01.05	2	018639	05.02	62	252945	06.08	10
006965	01.18	3	020104	02.37	9	254485	02.01	10
006965	01.18	9	020104	06.06	13	254485	02.30	11
006966	04.10	7	020104	06.06	23	254485	02.30	3
006966	05.01	14	020108	02.39	3	254485	02.31	22
006966	05.02	14	020208	05.01	39	254485	02.33	17
006970	01.26	26	030039	01.18	2	254485	02.33	7
006970	05.01	20	030039	01.18	8	254485	02.34	25
006970	05.02	20	030062	01.26	29	254485	06.05	10
006975	05.02	64	030102	04.01	19	254485	06.05	22
006975	05.02	67	030117	04.01	2	254485	06.06	3
006975	05.02	70	031056	05.02	71	254485	06.08	19
006976	01.18	27	063435	01.10	25	255256	06.08	2
006976	01.26	30	063435	01.10	27	257134	02.47	23
006976	02.01	17	071633	02.34	17	257134	02.55	22
006976	04.10	13	071671	06.06	17	257134	05.01	29
006976	05.01	28	071671	06.06	6	257134	05.02	29
006976	05.01	37	078307	02.47	18	257134	06.08	15
006976	05.01	43	078307	02.55	3	257301	01.45	9
006976	05.01	47	080341	06.06	18	257302	01.45	8
006976	05.02	28	080341	06.06	7	258146	01.15	16
006976	05.02	47	106009	01.05	37	258146	01.45	7
006976	05.03	5	122637	02.45	4	258904	01.45	17
006976	06.06	27	122675	04.10	12	258904	02.55	16
012112	04.10	11	127927	05.01	22	258904	02.55	4
012138	01.42	21	127927	05.01	25	259348	01.10	23
012531	06.06	12	127927	05.02	22	259830	01.45	15
012531	06.06	22	127927	05.02	25	261319	02.25	6
012532	06.01	7	145298	01.45	22	265451	05.01	21
012533	02.01	12	145298	01.45	24	265451	05.01	24
012535	06.04	9	145298	02.46	20	265451	05.01	7
012538	02.39	4	145298	02.47	22	265451	05.02	21
012543	03.06	7	145298	04.10	40	265451	05.02	24
013092	01.45	16	145298	05.01	44	265451	05.02	7
013763	02.37	8	145298	05.01	54	266040	05.01	40
013763	02.55	7	145298	05.02	44	268158	04.10	25
013777	02.31	13	145298	05.02	54	268596	02.37	14
013880	01.42	20	145298	06.08	13	270361	01.15	12
013880	02.01	13	145298	06.08	3	270361	01.15	19
013880	02.32	22	157716	02.26	19	270793	02.30	5
013880	06.05	18	164245	02.25	19	270793	03.02	2
013963	02.31	9	168201	01.23	4	271147	05.01	12
015014	06.06	16	174969	05.02	59	271434	03.06	20
015014	06.06	5	178790	01.10	13	272836	06.08	18
015341	01.42	9	178790	04.01	10	273754	02.25	5
015859	06.04	8	179575	05.02	61	273779	04.10	23

Code	No. table	Pos.	Code	No. table	Pos.	Code	No. table	Pos.
274369	04.10	34	478012	01.11	35	5848135	01.36	17
274369	05.01	53	478115	01.05	16	584826	06.01	3
274369	05.02	53	478895	01.42	19	584838	01.05	45
285846	01.10	8	478984	04.11	3	584877	02.37	10
288245	01.10	15	479986	01.23	7	584884	02.37	5
289919	01.11	28	484123	01.18	21	584953	05.01	34
290860	06.08	10	484123	01.20	7	597038	04.10	3
291017	06.06	29	484123	01.45	20	597043	02.25	8
292022	06.04	13	484819	01.11	17	597679	04.11	9
292332	06.05	6	484819	01.11	20	597679	04.12	11
292500	05.01	32	484819	01.11	3	598288	02.33	4
292507	06.08	10	484819	01.11	6	599265	04.02	22
292889	06.01	6	484993	01.05	8	599265	04.02	9
293154	02.34	16	485693	01.23	5	599266	04.02	21
293256	06.08	10	485693	01.26	5	599266	04.02	8
293717	01.15	20	485703	01.26	9	599267	04.02	20
294013	06.08	17	487211	01.42	10	599267	04.02	7
294770	02.34	18	487665	01.42	29	599268	04.02	10
294839	04.10	9	487948	01.23	18	599268	04.02	23
295788	02.25	17	497573	01.19	6	599269	04.02	12
295789	02.25	18	497583	01.02	3	599269	04.02	25
296456	02.39	9	497612	01.02	2	599270	04.02	11
297029	02.34	15	497663	03.06	17	599270	04.02	24
297029	02.47	19	561886	01.45	5	599271	04.02	19
297498	01.15	18	564606	04.11	11	599271	04.02	6
297498	02.31	8	564606	04.12	13	599272	04.02	18
297498	02.47	16	564606	05.01	50	599272	04.02	5
299972	02.46	15	564606	05.02	50	599274	04.02	17
316144	01.26	37	564629	01.23	17	599274	04.02	4
316144	01.42	18	564632	01.26	25	599724	04.10	4
319165	01.42	17	564632	03.06	6	599786	02.25	4
411311	01.05	18	564878	04.01	3	599806	04.12	10
411311	01.10	29	567672	01.42	24	599893	04.11	8
411311	01.18	15	567672	01.42	32	600075	05.01	8
414837	01.18	18	57341R	02.55	1	600075	05.02	8
414837	01.36	13	575937	06.05	12	600354	04.11	7
414837	06.05	16	576546	02.47	7	600354	04.12	15
414838	01.15	7	577128	02.46	12	600359	04.11	4
414838	01.23	16	577129	02.46	14	600443	02.25	13
414838	01.36	2	577131	02.46	16	600526	02.25	1
414838	02.01	15	577471	02.46	7	6006885	04.02	14
414838	02.39	6	577492	02.39	10	600711	04.11	2
414838	06.06	26	577594	03.02	3	600712	04.11	6
430044	01.05	52	577620	02.46	11	600713	04.11	5
430045	01.10	24	581061	01.20	10	601173	04.12	2
430045	01.10	26	581061	06.04	11	601174	04.12	6
434541	01.05	46	581142	06.06	32	601184	04.12	7
434541	01.10	20	581174	02.27	2	601550	01.26	4
434541	01.11	29	581424	06.08	22	601552	01.26	6
434541	01.20	4	581440	06.05	3	614188	01.36	9
434541	02.01	11	58146R	01.21	1	620365	04.10	6
434541	02.01	16	581560	02.25	20	620415	02.46	13
434541	02.01	4	581596	01.20	11	620737	02.55	13
434541	02.01	7	581767	05.03	8	621381	04.01	4
434541	02.01	9	58183R	01.21	5	621397	02.55	28
434541	02.30	9	582058	02.37	4	621498	02.39	12
434541	02.39	5	582906	06.05	2	622053	02.55	30
434541	03.06	24	582988	06.01	8	622055	02.55	5
434541	05.01	36	582990	02.46	9	622235	02.47	25
434541	05.01	42	583342	04.10	10	622306	02.55	8
434541	05.01	46	583480	03.06	5	622969	04.01	16
434541	05.02	46	584002	06.08	12	623162	04.10	31
434541	05.03	4	584121	02.46	10	623250	03.02	4
434541	06.05	14	584332	02.45	5	623673	02.55	12
436438	01.10	5	584332	06.04	5	623743	02.47	27
463195	02.31	25	584332	06.04	7	6238555	04.01	14
478012	01.10	22	584509	06.06	30	623857	01.05	9

Code	No. table	Pos.	Code	No. table	Pos.	Code	No. table	Pos.
638733	06.05	7	649514	01.23	15	65313600NI	02.32	12
639187	06.06	15	649554	05.01	19	653139000C	02.31	26
639187	06.06	4	649554	05.02	19	653144	02.30	4
639537	01.15	9	649587	04.01	7	65314400BM	02.30	4
639542	06.01	5	649587	04.01	9	65314400H4	02.30	4
639640	06.05	20	649657	05.01	38	65314400XN2	02.30	4
639806	01.42	11	649672	04.10	14	653147	02.31	11
640221	06.06	31	649679	05.01	15	65314700H6	02.31	11
640244	06.04	4	649735	01.23	13	653148	02.31	10
640245	06.04	6	649768	05.01	52	65314800H6	02.31	10
6403935	06.05	1	649821	02.25	2	653150	02.31	5
640394	06.05	4	649823	01.26	32	65315000H6	02.31	5
640459	01.20	9	649826	01.26	28	653151	02.31	4
640474	06.05	13	649830	05.01	49	65315100H6	02.31	4
640485	01.10	28	649885	04.10	30	653169	03.06	23
640648	01.15	8	649888	04.10	32	65316900BM	03.06	23
640715	06.06	19	649890	04.10	33	65316900XN2	03.06	23
640754	06.03	2	649912	05.01	26	653174	03.06	1
640805	06.08	14	649912	05.02	26	653175	03.06	2
641143	06.08	4	649925	05.01	35	653318	06.05	8
641204	06.06	35	649928	01.26	20	6533315	02.01	8
641220	01.36	1	649941	05.01	41	653337	02.31	24
641251	02.47	8	649981	04.10	18	65333700H6	02.31	24
641355000C	06.04	12	649982	04.10	20	653343	03.06	4
641541	01.05	51	649987	04.10	8	654117	02.55	18
641630	05.01	9	650031	04.10	5	654118	02.55	20
641643	06.06	9	650058	04.10	27	654139	06.05	23
641711	06.06	1	650083	04.11	12	654173	06.06	10
641933	06.05	5	650083	04.12	14	654184	01.19	8
642032	06.01	9	650084	01.26	12	654184	02.47	11
642302	06.06	33	650097	05.01	2	654190	01.36	15
642348	06.01	1	650097	05.01	4	654190	01.36	18
643176	06.08	9	650097	05.02	2	654191	02.46	4
643178	03.02	1	650097	05.02	4	654203	03.06	8
643179	06.01	2	650103	01.25	3	654477	02.47	15
643272	06.08	14	650103	01.26	38	654479	02.47	13
643301	06.08	23	650132	01.26	24	654483	03.06	3
643302	06.04	1	650144	02.25	12	654484	02.31	51
643331	01.05	45	650145	02.25	11	654484	03.06	9
643368	06.01	2	650153	01.26	23	654487	04.10	35
643399	06.08	1	650169	04.10	26	654707	06.05	11
643422	06.06	38	650181	05.02	69	654714	04.01	1
643484	06.08	9	650279	05.02	58	654770	04.01	15
646935	04.11	14	650506	02.25	21	654808	02.30	18
647007	04.12	16	650714	03.06	10	654810	02.34	14
647078	05.01	18	650715	03.06	13	654813	02.30	17
647078	05.02	18	650743	01.26	41	654814	04.01	6
647595	02.25	14	650745	01.26	42	654815	04.01	8
648468	04.10	19	650901	01.26	11	654818	02.47	29
648481	04.10	24	650965	03.06	12	654820	02.47	12
648705	04.10	16	650966	03.06	15	654878	02.55	9
648707	04.10	17	651041	04.11	10	654965	02.31	52
648708	04.10	21	651042	04.12	12	654969	02.47	9
648979	02.25	7	651095	01.26	39	654970	01.15	15
649076	05.01	23	651234	05.01	16	655169	04.01	12
649077	04.12	4	651295	01.26	40	655314	01.15	23
649157	05.01	31	651297	05.01	5	655778	01.36	23
649378	05.02	45	651297	05.02	5	655783	02.31	12
649378	05.03	3	652897	02.55	23	655786	02.31	30
649407	05.03	1	652898	02.55	26	655787	02.31	29
649408	05.03	2	652908	02.30	7	655789	02.47	26
649415	01.26	10	652917	02.30	6	656003	02.47	6
649427	01.26	15	653031	02.55	11	656021	02.47	3
649472	04.12	5	653038	06.06	20	656028	02.46	21
649474	01.26	21	653135	02.32	11	656048	02.34	5
649481	01.26	31	65313500NI	02.32	11	656136	02.30	19
649484	01.26	18	653136	02.32	12	656139	02.25	22

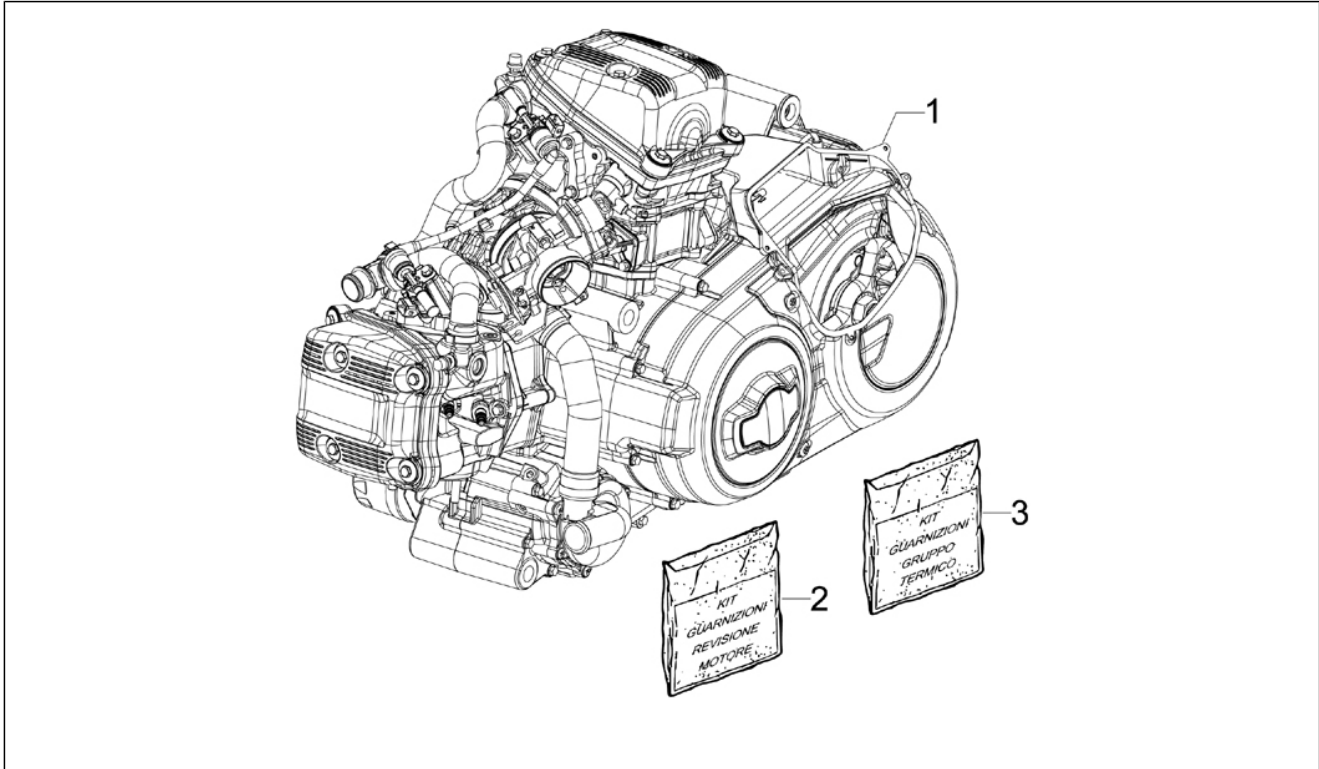
Code	No. table	Pos.	Code	No. table	Pos.	Code	No. table	Pos.
656176	02.39	2	674469000C	02.37	1	825737	01.11	32
656194000C	02.30	12	674470000C	02.32	6	826027	01.11	15
656196000C	02.30	15	674472	02.39	1	8260275	01.11	1
656197000C	02.31	1	674473	02.33	12	826028	01.11	18
656311	02.34	19	674476	02.33	1	8260285	01.11	4
656388	02.39	13	67447600XN2	02.33	1	826103	01.10	6
6563895	02.01	1	674477000C	02.33	2	826117	01.42	34
656420	02.34	12	674478	02.26	1	826256	01.10	4
656421	02.34	8	67447800BM	02.26	1	826298	01.26	36
656422	02.39	14	67447800H4	02.26	1	82656R	01.15	4
656423	02.39	8	67447800XN2	02.26	1	82697R	01.20	1
656428	02.31	31	674479000C	02.26	4	827018	01.10	9
656429000C	02.31	32	674481	02.26	2	827209	01.05	29
656507	02.31	41	67448100NI	02.26	2	82756R	01.18	16
656509000C	02.31	42	67448100XN2	02.26	2	82778R	01.05	28
656510	02.31	34	674482	02.26	3	827820	01.07	6
656510	02.31	44	67448200NI	02.26	3	827953	01.10	10
656511	02.31	36	67448200XN2	02.26	3	827991	01.11	21
656511	02.31	46	674483000C	02.26	13	827991	01.11	7
656512	03.06	21	674484000C	02.26	14	828116	01.07	7
6565120090	03.06	21	674488	02.32	8	82817R	01.10	19
656516	02.30	1	674489	02.32	7	82817R	01.11	16
65651600NI	02.30	1	6744965	02.01	3	82817R	01.11	19
656875	02.47	20	6744985	02.01	2	82817R	01.11	2
656883	02.34	1	674659	02.01	18	82817R	01.11	5
665578	02.39	7	674797	02.47	1	828321	01.10	2
665617	04.02	13	674798	02.47	4	828322	01.10	3
665645	03.06	11	674800000C	02.37	2	828396	01.10	7
665646	03.06	14	674820000C	02.31	16	828566	01.42	14
666047	05.01	45	674821000C	02.31	17	828800	06.05	19
666139	05.01	10	674822	06.04	3	8290405	01.23	6
666139	05.02	10	674823	02.46	1	829121	06.05	15
666798	04.11	1	674824	02.46	2	829232	01.14	21
666801	04.12	1	674825	02.33	21	82924R	01.26	17
667993	04.11	1	674827	02.01	14	82925R	01.26	13
667994	04.12	1	674828	02.33	20	82926R	01.05	3
668011	05.02	52	674829	02.33	19	82929R	01.05	47
668130	05.02	16	674839	02.47	2	82945R	01.21	7
668131	05.02	72	674860	03.06	19	82960R	01.23	9
668132	05.02	56	6749255	02.01	6	82965R2	01.10	1
668133	05.02	23	674927	02.27	4	82991R	01.05	26
668222	03.06	26	674930	02.27	1	829981	01.12	9
668365	04.02	1	674934	02.39	11	830056	05.01	11
668366	04.10	1	6749375	02.01	2	830056	06.08	21
668419	03.06	13	675307	06.04	10	830061	01.36	16
668568	04.10	22	675320	02.47	9	830061	01.36	19
668577	05.02	57	67532900A1	02.38	1	830249	01.12	3
668615	03.06	26	67532900A2	02.38	1	830249	01.12	7
668703	03.06	13	675888	02.45	7	830275	01.07	8
668704	03.06	10	675889	02.45	6	830276	01.07	8
668710	04.02	2	709047	05.01	6	830277	01.07	8
668711	04.02	3	709047	05.02	6	830380	01.14	19
668902	05.01	60	709099	05.01	13	830390	01.21	8
668902	05.02	81	709099	05.02	13	830666	01.05	17
669056	05.02	58	709141	02.47	24	830819	01.12	1
672200	02.38	3	709674	02.32	19	830819	01.12	5
673983	02.38	4	709674	02.46	3	830820	01.12	4
674463000C	02.32	2	709690	01.19	10	830820	01.12	8
674464000C	02.32	1	709718	02.37	6	831130	01.18	29
674467	02.32	4	825023	01.05	4	831195	01.14	5
67446700BM	02.32	4	825023	01.14	17	831203	01.10	17
67446700H4	02.32	4	825481	06.08	5	831333	01.18	30
67446700XN2	02.32	4	825597	01.05	19	831335	01.05	49
674468	02.32	3	825597	01.10	16	831393	01.05	12
67446800BM	02.32	3	825597	01.26	27	831588	01.13	6
67446800H4	02.32	3	825649	01.05	31	831615	01.14	14
67446800XN2	02.32	3	825725	01.21	3	831618	01.14	2

Code	No. table	Pos.	Code	No. table	Pos.	Code	No. table	Pos.
831619	01.14	13	842908	01.42	23	873433	01.26	7
831623	01.14	11	842908	01.42	27	873494	01.15	17
831920	01.14	4	842908	01.42	31	873495	01.15	11
831921	01.14	8	842917	01.14	18	873513	01.15	14
832011	01.36	4	843060	01.11	13	873521	01.45	23
832029	01.10	19	843060	01.11	26	873934	01.05	25
832275	01.11	11	843079	01.11	12	8742050001	01.06	1
832278	01.18	22	843079	01.11	25	8742050002	01.06	1
832292	01.11	36	843080	01.10	18	874451	01.05	23
832293	01.11	31	843186	01.05	48	874480	01.42	15
832783	01.10	12	843317	01.05	40	874554	01.07	10
832848	04.12	3	843370	01.23	8	874572	01.14	16
832906	01.18	25	843404	01.36	8	874578	01.14	12
832926	01.19	4	843406	01.36	6	874579	01.14	1
832963	01.05	44	843750	01.14	10	874706	01.23	11
832981	01.05	38	843864	01.23	2	874707	01.23	10
832985	01.05	14	8444545	01.18	20	874745	01.23	14
832987	01.05	13	844806	01.14	15	874746	01.05	34
832989	01.15	13	844941	01.07	3	874746	01.10	14
832990	01.23	12	844942	01.07	4	874747	01.05	35
8329915	01.23	1	844943	01.07	5	874748	01.05	36
833007	01.23	19	845010	01.13	8	874946	01.42	3
833011	01.20	6	845246	01.18	5	874946	01.42	6
8330455	01.15	1	845316	01.11	14	874957	01.42	4
833046	01.18	11	845316	01.11	27	874957	01.42	7
833046	01.18	6	845367	01.14	9	874981	01.25	4
833051	01.14	7	845439	01.05	6	874981	01.26	2
833052	01.14	20	845443	01.05	7	8749880001	01.07	2
833054	01.05	27	8456015	01.25	2	8749880002	01.07	2
833055	01.18	4	845684	01.05	10	8749880003	01.07	2
833701	01.05	5	8465765	01.11	22	8749880004	01.07	2
833722	01.18	26	846606	01.26	16	874989	01.07	1
833722	06.06	14	846607	01.26	14	875160	01.18	24
833722	06.06	24	846609	01.26	8	875371	01.42	36
833965	01.45	14	846763	01.13	9	8753764	01.26	3
834025	01.18	7	846883	01.13	5	875427	01.14	6
834031	01.18	17	846967	01.13	2	875442	01.05	11
834033	01.18	28	847118	01.13	7	875518	01.05	33
834043	01.18	10	847277	01.11	28	875733	01.42	37
834179	01.18	14	847376	01.19	12	875845	01.42	1
834195	01.18	19	847421	01.18	23	876014	01.26	19
834232	02.55	24	847421	01.26	22	876490	01.26	1
834311	01.19	13	847928	01.07	11	876695	01.19	9
8343295	01.18	12	847928	01.11	30	876835	01.20	8
834345	01.05	42	851582	01.42	8	876841	01.18	1
834951	01.42	35	854970	01.36	3	877281	01.05	20
840135	01.07	9	858703	06.03	1	877376	01.19	15
840542	01.20	2	859792	05.02	63	877514	01.13	4
840543	06.06	21	859792	05.02	68	877519	01.13	1
840543	06.06	37	860744	03.06	25	878050	01.19	1
841113	01.20	3	871993	01.45	2	878608	01.19	17
841461	01.10	21	871994	01.45	18	8787875	01.11	8
841512	01.13	10	871995	01.45	3	878867	01.23	3
841513	01.13	11	8720235	01.36	14	879186	01.11	23
841532	01.15	2	872025	01.05	21	879186	01.11	9
841697	01.36	7	872117	01.36	21	880256	01.19	16
841698	01.36	5	872232	01.45	19	880285	02.27	3
841821	01.42	28	872256	01.42	16	880285	05.02	65
841821	01.42	33	872625	01.05	32	880285	05.02	66
842071	01.19	14	872635	01.12	2	880652	01.36	10
842199	01.36	20	872635	01.12	6	880652	01.36	11
842202	01.19	10	872966	01.45	6	893929	06.03	3
842202	01.19	8	873102	01.05	30	895839	02.38	2
842331	01.13	3	873102	01.05	50	897690	02.26	7
842360	01.10	11	873325	01.45	1	939278	05.02	60
8425645	01.14	3	873412	01.15	21	959263	02.34	4
842879	01.20	5	873432	01.45	4	959614	02.47	17

Code	No. table	Pos.	Code	No. table	Pos.	Code	No. table	Pos.
967363	04.01	13	B0173160001	01.05	1	CM088002	06.06	25
967384	04.10	29	B0173160002	01.05	1	CM178601	02.26	10
969296	02.55	2	B0176015	01.42	13	CM178601	02.26	17
969296	06.05	21	B017636	01.10	9	CM178601	02.26	20
969348	06.06	8	B017638	01.36	25	CM178601	02.26	5
974290	01.05	22	B018029	01.19	3	CM178601	02.30	13
975110	04.01	5	CM001309	04.10	36	CM178601	02.31	27
975633	03.06	16	CM001432	02.34	26	CM178601	02.32	13
AP8102375	06.03	10	CM001902	02.55	19	CM178601	02.32	5
AP8110117	01.26	34	CM001903	02.55	21	CM178601	02.33	18
AP8120405	06.03	12	CM001904	02.55	17	CM178601	02.33	22
AP8121133	02.31	38	CM001905	01.45	25	CM178601	02.37	11
AP8121133	02.31	48	CM001907	02.55	25	CM178601	02.37	3
AP8121464	02.55	10	CM001908	01.19	11	CM178601	02.55	14
AP8121571	04.12	8	CM001908	02.47	14	CM178603	02.32	10
AP8121641	04.11	13	CM001913	01.45	11	CM178603	02.34	11
AP8121641	04.12	9	CM001917	01.19	7	CM178604	02.31	18
AP8121811	01.36	24	CM001921	01.45	10	CM178604	02.32	16
AP8127699	02.45	7	CM001923	02.47	21	CM178604	02.32	20
AP8127700	02.45	6	CM001924	01.19	5	CM178604	02.33	25
AP8134451	02.31	37	CM001924	02.55	29	CM178604	02.34	9
AP8134451	02.31	47	CM001925	02.55	27	CM178605	02.32	14
AP8150270	02.55	6	CM002902	04.10	37	CM178610	02.31	2
AP8150382	06.03	8	CM002908	01.45	13	CM179201	02.30	8
AP8150509	06.03	7	CM006902	02.33	24	CM179201	02.33	13
AP8150515	06.03	11	CM006902	05.01	30	CM179201	02.33	9
AP8152277	05.01	27	CM006902	05.02	30	CM179201	02.47	10
AP8152277	05.02	27	CM006902	06.08	20	CM179201	04.10	15
AP8152302	02.31	6	CM006904	06.08	6	CM179202	02.26	16
AP8152302	06.03	9	CM006905	06.08	7	CM179202	02.30	2
AP8161074	01.26	33	CM006910	05.03	6	CM179202	02.31	21
AP8161076	01.26	35	CM006912	02.33	8	CM179202	02.33	6
AP9150472	01.05	24	CM012837	02.46	17	CM179202	02.37	13
B005629	05.02	80	CM012838	02.46	18	CM179202	02.46	6
B013207	01.21	9	CM013201	01.45	26	CM179301	02.30	10
B013222	01.25	1	CM013201	02.33	10	CM179301	02.31	19
B013443	01.11	33	CM013201	04.10	39	CM179301	02.31	23
B013444	01.11	34	CM013201	06.06	28	CM179301	02.34	22
B013446	01.11	37	CM013202	06.06	28	CM179301	02.34	24
B013463	01.21	6	CM017403	06.04	14	CM179301	02.34	7
B013480	01.19	3	CM017410	02.26	11	CM179301	06.05	9
B014598	01.11	10	CM017410	02.26	15	CM179302	02.33	3
B014598	01.11	24	CM017410	02.26	18	CM179303	02.31	14
B0148020001	01.07	2	CM017410	02.26	6	CM179304	02.33	14
B0148020002	01.07	2	CM017410	02.26	9	CM180701	02.26	8
B0148020003	01.07	2	CM017410	02.30	14	CM180701	02.32	17
B0148020004	01.07	2	CM017410	02.31	20	CM180701	06.04	2
B014803	01.07	12	CM017410	02.31	28	CM182202	02.45	2
B014804	01.07	13	CM017410	02.31	3	CM182203	02.45	1
B015563	01.21	2	CM017410	02.32	15	CM18270100A1	02.38	7
B0163255	01.42	2	CM017410	02.32	9	CM18270100A2	02.38	7
B0163275	01.42	5	CM017410	02.33	15	CM18270100A3	02.38	7
B016357	01.42	12	CM017410	02.33	16	CM18270200A1	02.38	8
B016365	01.42	25	CM017410	02.33	23	CM18270200A2	02.38	8
B016426	01.18	26	CM017410	02.34	10	CM18270200A3	02.38	8
B016615	01.36	25	CM017410	02.37	12	CM18270300A1	02.38	6
B016774	01.18	18	CM017410	02.55	15	CM18270300A2	02.38	6
B016774	01.36	13	CM023708	02.46	5	CM18270300A3	02.38	6
B016777	06.06	34	CM024103	01.45	12	CM18270400A1	02.38	10
B016792	06.06	2	CM025712	02.47	5	CM18270400A2	02.38	10
B016808	01.19	2	CM068308	05.01	17	CM18270400A3	02.38	10
B016934	01.42	30	CM068308	05.02	17	CM18270500A1	02.38	9
B016935	01.42	26	CM081901	05.01	1	CM18270500A2	02.38	9
B016936	01.42	22	CM081901	05.02	1	CM18270500A3	02.38	9
B0169375	01.02	1	CM081902	05.01	3	CM18270600A1	02.38	11
B017116	01.19	18	CM081902	05.02	3	CM18270600A2	02.38	11
B017118	01.36	12	CM084601	05.01	48	CM18270600A3	02.38	11

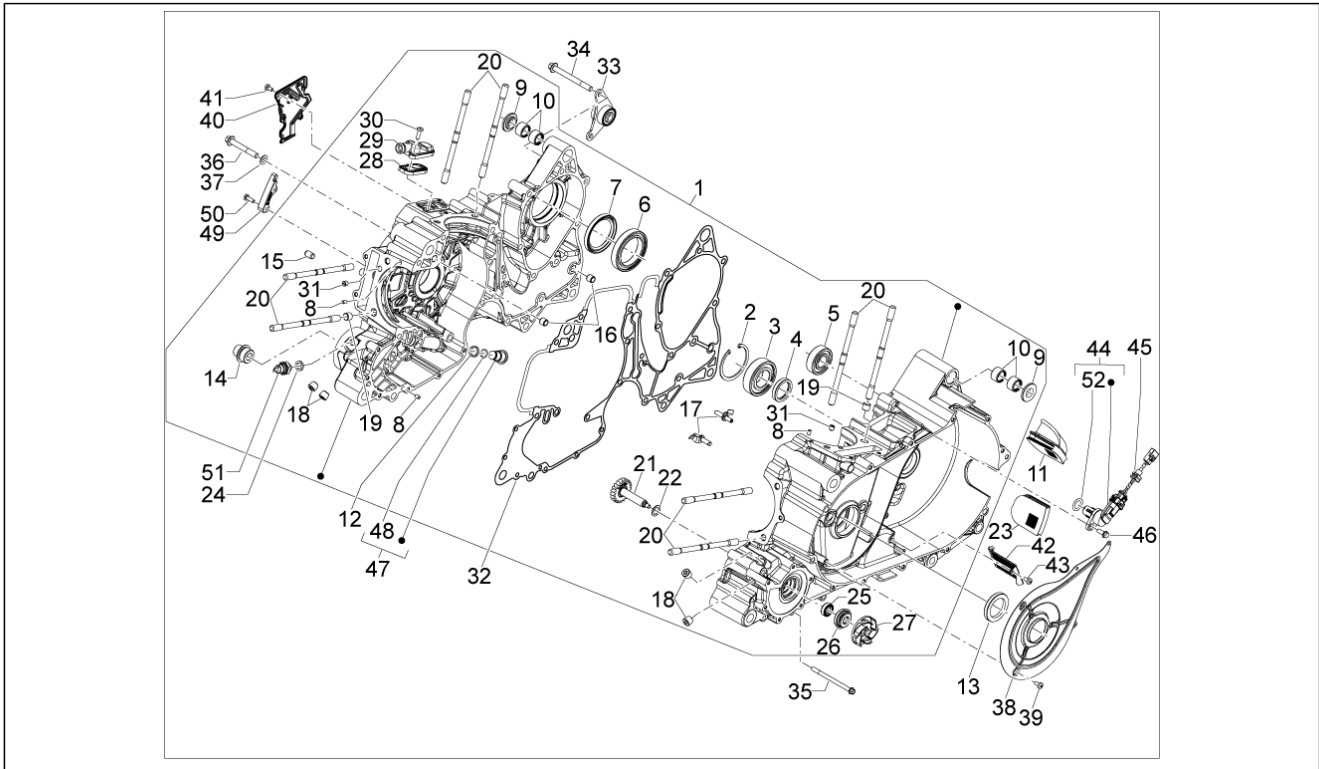
Code	No. table	Pos.
CM18270700A1	02.38	5
CM18270700A2	02.38	5
CM18270700A3	02.38	5
CM183202	02.45	2
CM183203	02.45	1
D9004468091	02.26	12
GU32441210	02.31	35
GU32441210	02.31	45
GU32443210	02.31	33
GU32443211	02.31	43

Group	Engine
Code	01.02
Description	Engine, assembly
Service	1



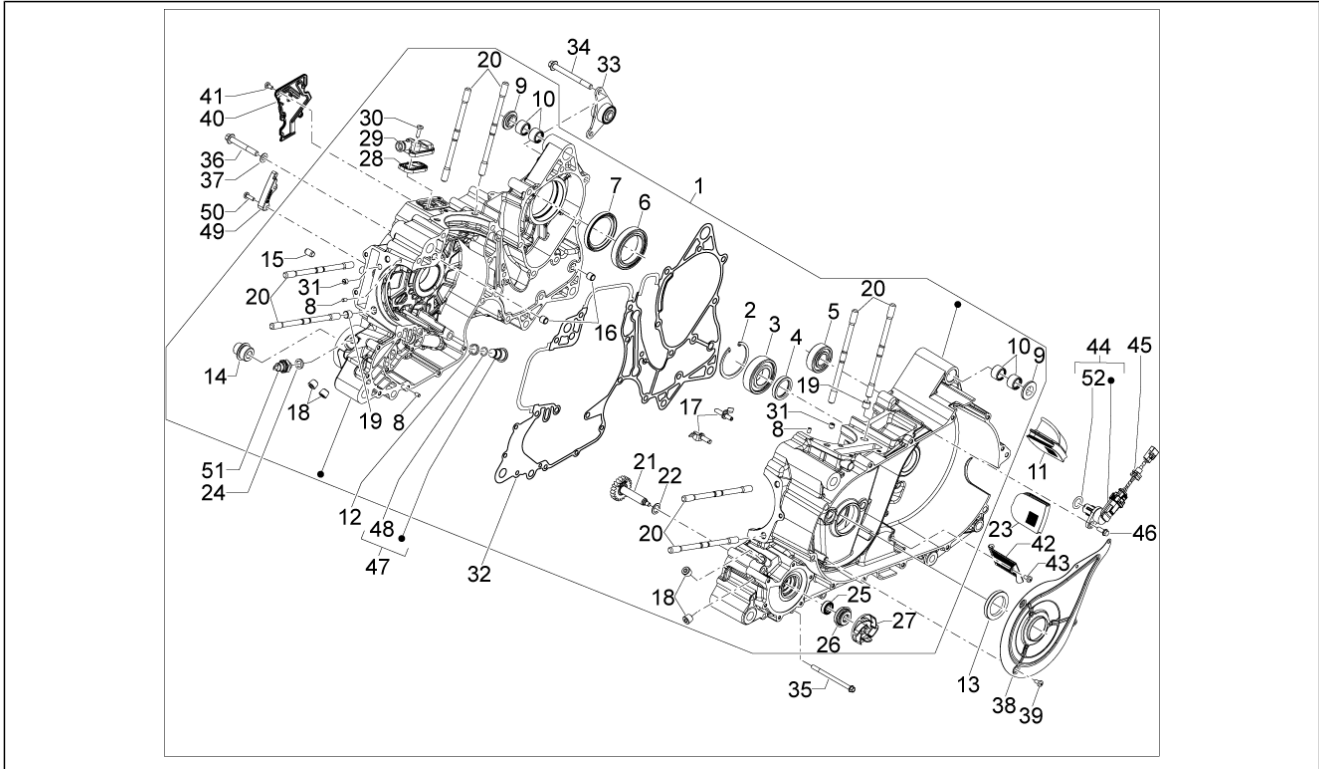
Pos.	Code	Description	Qty	Variants
1	B0169375	850 4T 8V E3 engine	1	
2	497612	Cylinder gasket kit	1	
3	497583	Cylinder gasket kit	1	

Group	Engine
Code	01.05
Description	Crankcase
Service	1



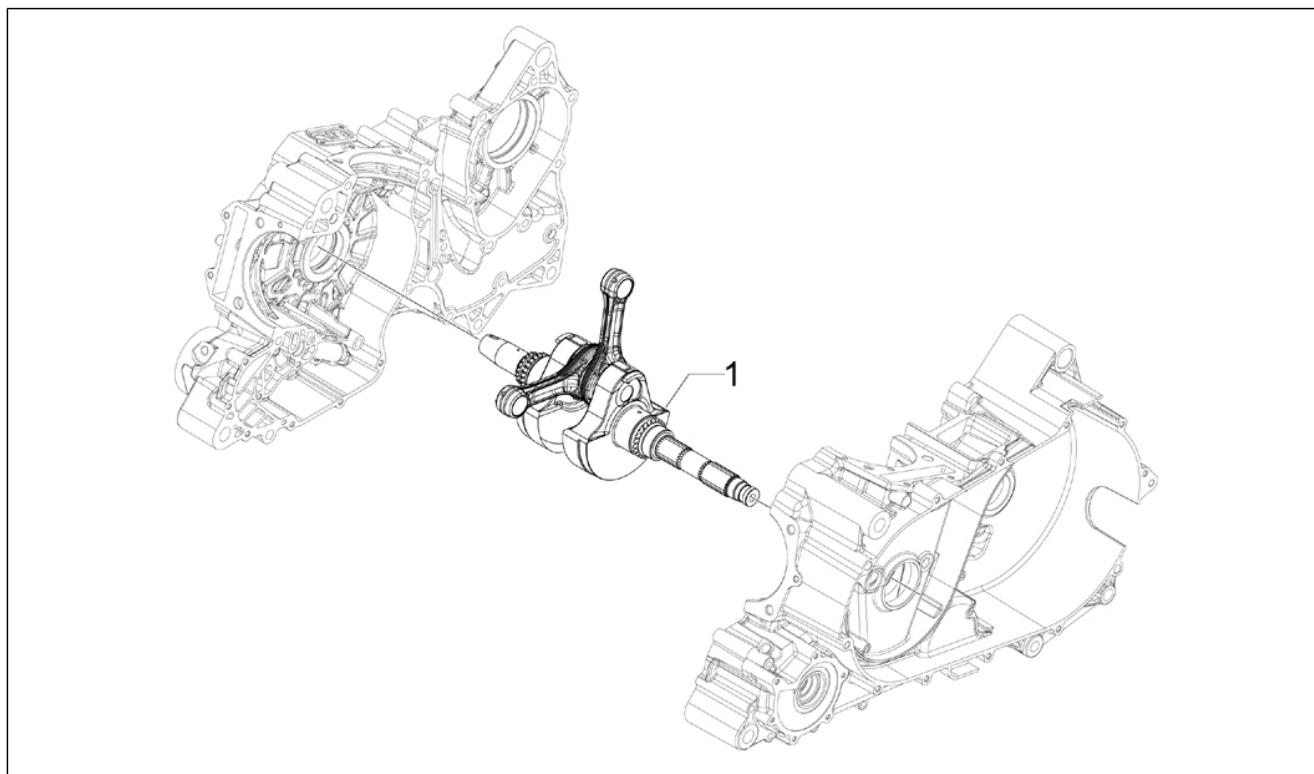
Pos.	Code	Description	Qty	Variants
1	B0173160001	Complete crankcase 1st cat.	1	
1	B0173160002	2nd cat. complete crankcase	1	
2	006662	Snap ring	1	
3	82926R	Bearing	1	
4	825023	Gasket ring	1	
5	833701	Radial ball bearing 20x47x14	1	
6	845439	Radial bearing 50x72x12	1	
7	845443	Gasket ring 50-68	1	
8	484993	Locating dowel	6	
9	623857	Bush	2	
10	845684	Roller cage	4	
11	875442	Fuel baffle	1	
12	831393	Gasket	1	
13	832987	Gasket ring 35x50x7	1	
14	832985	Oil filter union	1	
15	239388	Pin 6,5x9,5x15	2	
16	478115	Locating dowel Ø11xØ8,1x10	2	
17	830666	Nozzle	2	
18	411311	Plug m10x1,5	3	
19	825597	Pin 11,8X10	2	
20	877281	Stud bolt M10X1.25X166	8	
21	872025	Water pump shaft assy.	1	
22	974290	Shim washer	1	
23	874451	Air deflector	1	
24	AP9150472	Washer 10,5x17x1,5	1	
25	873934	Gasket ring	1	
26	82991R	Gasket ring	1	
27	833054	Impeller	1	

Group	Engine
Code	01.05
Description	Crankcase
Service	1



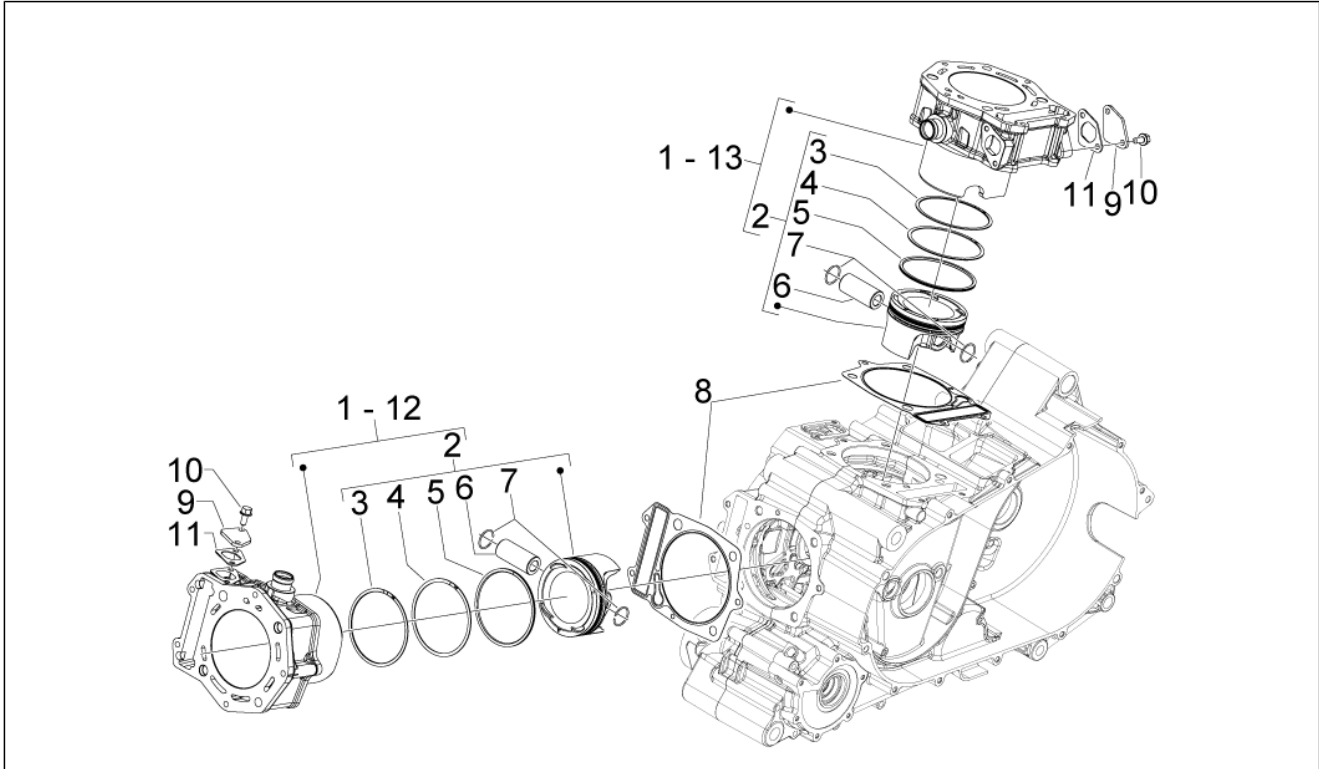
Pos.	Code	Description	Qty	Variants
28	82778R	Reed valve support	1	
29	827209	Cover sas	1	
30	873102	screw	2	
31	825649	Nozzle	2	
32	872625	Half crankcase gasket mm 0,3	1	
33	875518	Exhaust pipe support clamp	1	
34	874746	Screw w/ flange M6x90	6	
35	874747	Screw w/ flange M8x60	11	
36	874748	Screw w/ flange M8x85	9	
37	106009	Washer	7	
38	832981	Air deflector	1	
39	018575	Screw M5x10	5	
40	843317	Plate	1	
41	018575	Screw M5x10	5	
42	834345	Grid	1	
43	018575	Screw M5x10	3	
44	832963	Phase/revolution sensor	1	
45	584838	Joint.p.	1	
45	643331	Joint.p.	1	
46	434541	Screw w/ flange M6x16	1	
47	82929R	Oil unload plug	1	
48	843186	O-ring	1	
49	831335	Chain guide plate	1	
50	873102	screw	2	
51	641541	Oil pressure sensor	1	
52	430044	O-ring	1	

Group	Engine
Code	01.06
Description	Crankshaft
Service	1



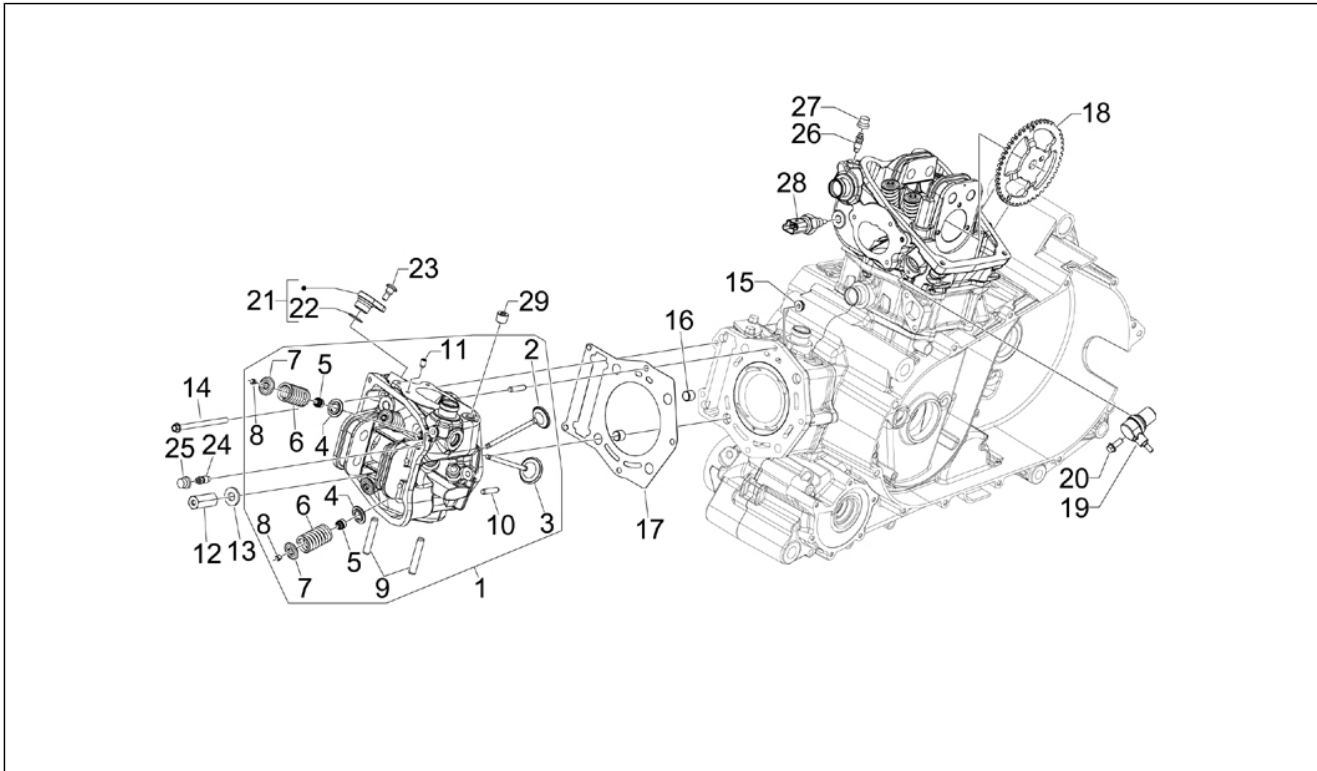
Pos.	Code	Description	Qty	Variants
1	8742050001	Crankshaft, assy. class 1	1	
1	8742050002	Crankshaft, assy. class 2	1	

Group	Engine
Code	01.07
Description	Cylinder-piston-wrist pin unit
Service	1



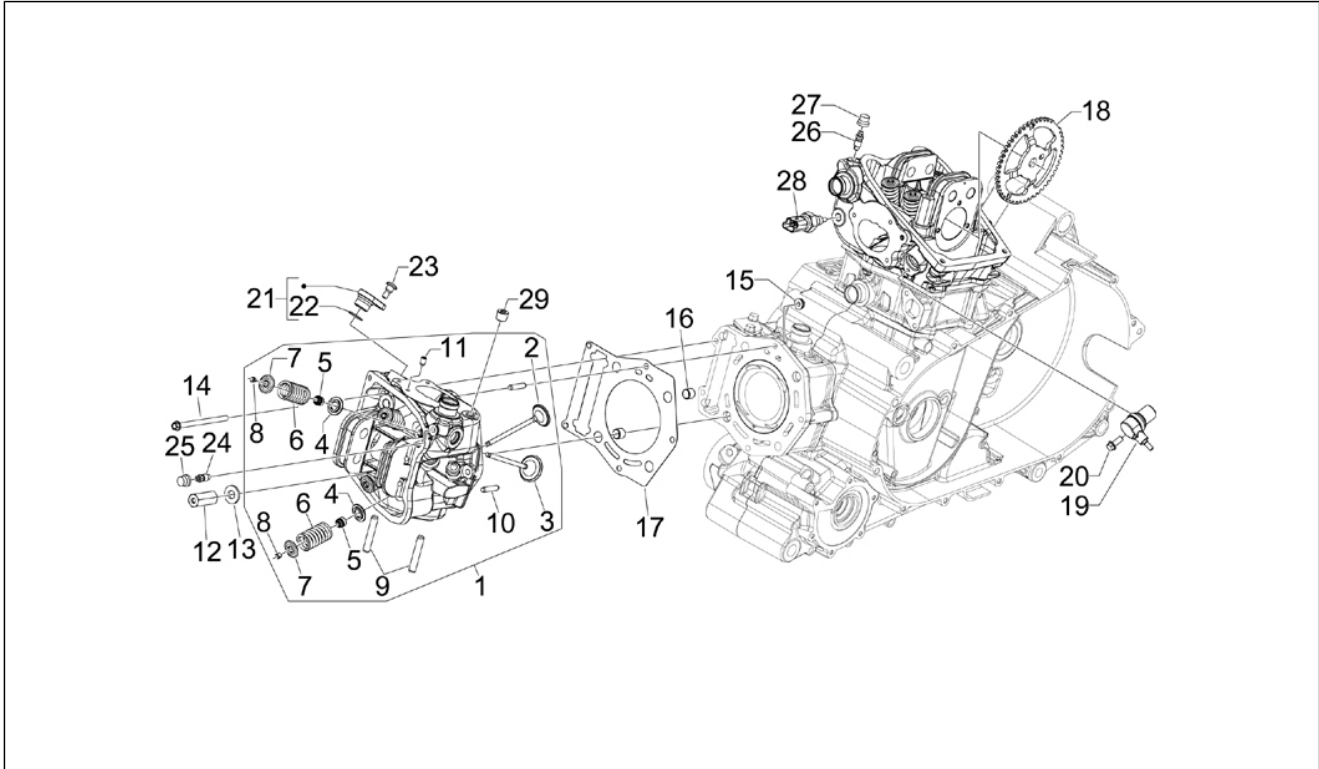
Pos.	Code	Description	Qty	Variants
1	874989	Cylinder with piston	2	Technical specification: Aluminum Cylinder[AL]
2	8749880001	Piston assy cat.1	2	Technical specification: Aluminum Cylinder[AL]
2	8749880002	Piston assy cat.2	2	Technical specification: Aluminum Cylinder[AL]
2	8749880003	Piston assy cat.3	2	Technical specification: Aluminum Cylinder[AL]
2	8749880004	Piston assy cat.4	2	Technical specification: Aluminum Cylinder[AL]
2	B0148020001	Piston assy cat.1	2	Technical specification: Cylinder with piston[GH]
2	B0148020002	Piston assy cat.2	2	Technical specification: Cylinder with piston[GH]
2	B0148020003	Piston assy cat.3	2	Technical specification: Cylinder with piston[GH]
2	B0148020004	Piston assy cat.4	2	Technical specification: Cylinder with piston[GH]
3	844941	Compression ring	2	
4	844942	Oil scraper ring	2	
5	844943	Oil scraper ring	2	
6	827820	Piston pin	2	
7	828116	Stop ring	4	
8	830275	Cylinder base gasket 0,8	2	
8	830276	Cylinder base gasket 0,6	2	
8	830277	Cylinder base gasket 0,4	2	
9	840135	Plate	2	
10	874554	Screw w/ flange M6x14	4	
11	847928	Gasket	2	
12	B014803	Front cylinder assembly	1	Technical specification: Cylinder with piston[GH]
13	B014804	Rear cylinder assembly	1	Technical specification: Cylinder with piston[GH]

Group	Engine
Code	01.10
Description	Head unit - Valve
Service	1



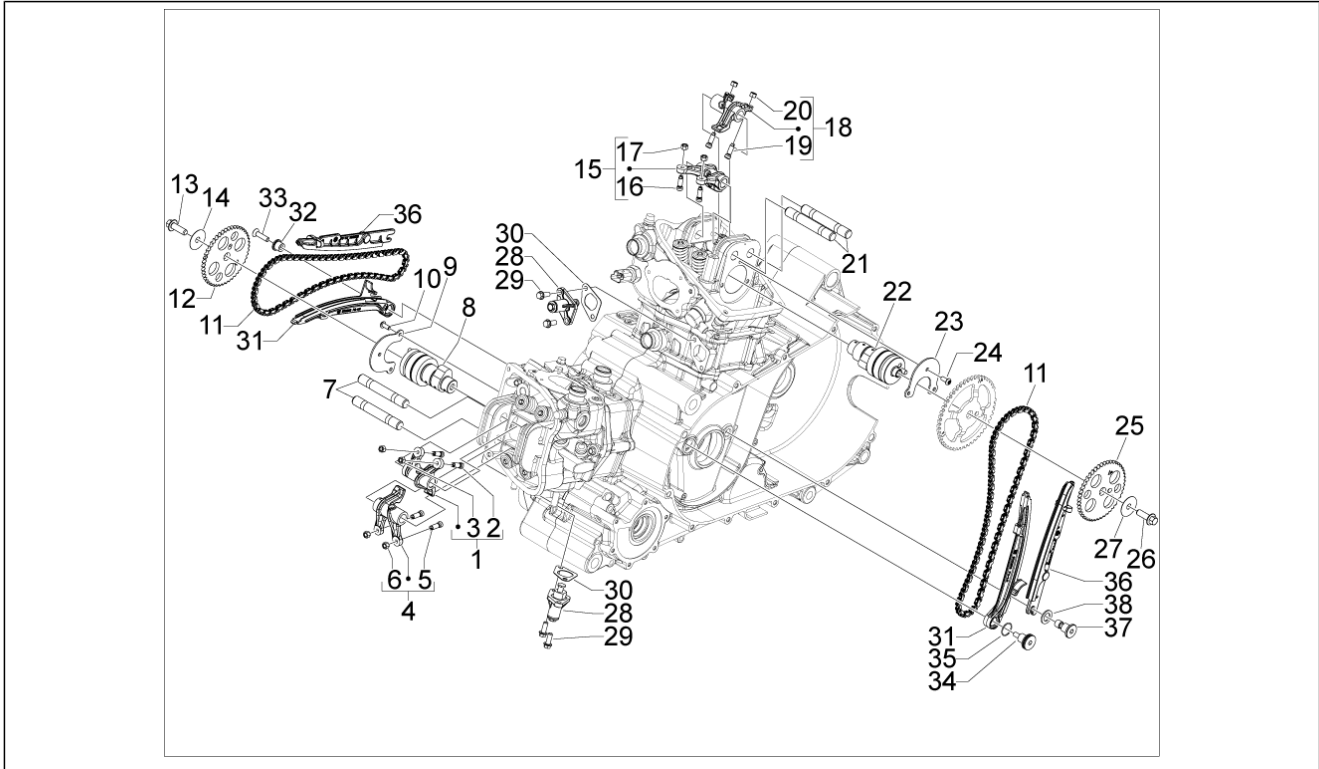
Pos.	Code	Description	Qty	Variants
1	82965R2	Cylinder head assy.	2	
2	828321	Exhaust valve	4	
3	828322	Intake valve	4	
4	826256	Lower cup	8	
5	436438	Valve gasket ring	8	
6	826103	Valve spring	8	
7	828396	Upper cup	8	
8	285846	Valve half-cone	16	
9	827018	Exhaust pipe stud bolt M8X3X46	4	
9	8017636	Exhaust pipe stud bolt	4	
10	827953	Stud bolt M6	2	
11	842360	Plug M6x10	2	
12	832783	High hexagonal nut	8	
13	178790	Flat washer 22x10,3x2,5	8	
14	874746	Screw w/ flange M6x90	6	
15	288245	Self locking nut M6	4	
16	825597	Pin 11,8X10	4	
17	831203	Cylinder head gasket	2	
18	843080	Wheel speed sensor, left front	1	
19	82817R	Adjuster screw	2	
19	832029	Encoder sensor	1	
20	434541	Screw w/ flange M6x16	1	
21	841461	Plug cpl.	1	
22	478012	O-ring	1	
23	259348	Cap screw+shank	1	
24	430045	Bleed screw	1	
25	063435	Bleed valve cap	1	
26	430045	Bleed screw	1	

Group	Engine
Code	01.10
Description	Head unit - Valve
Service	1



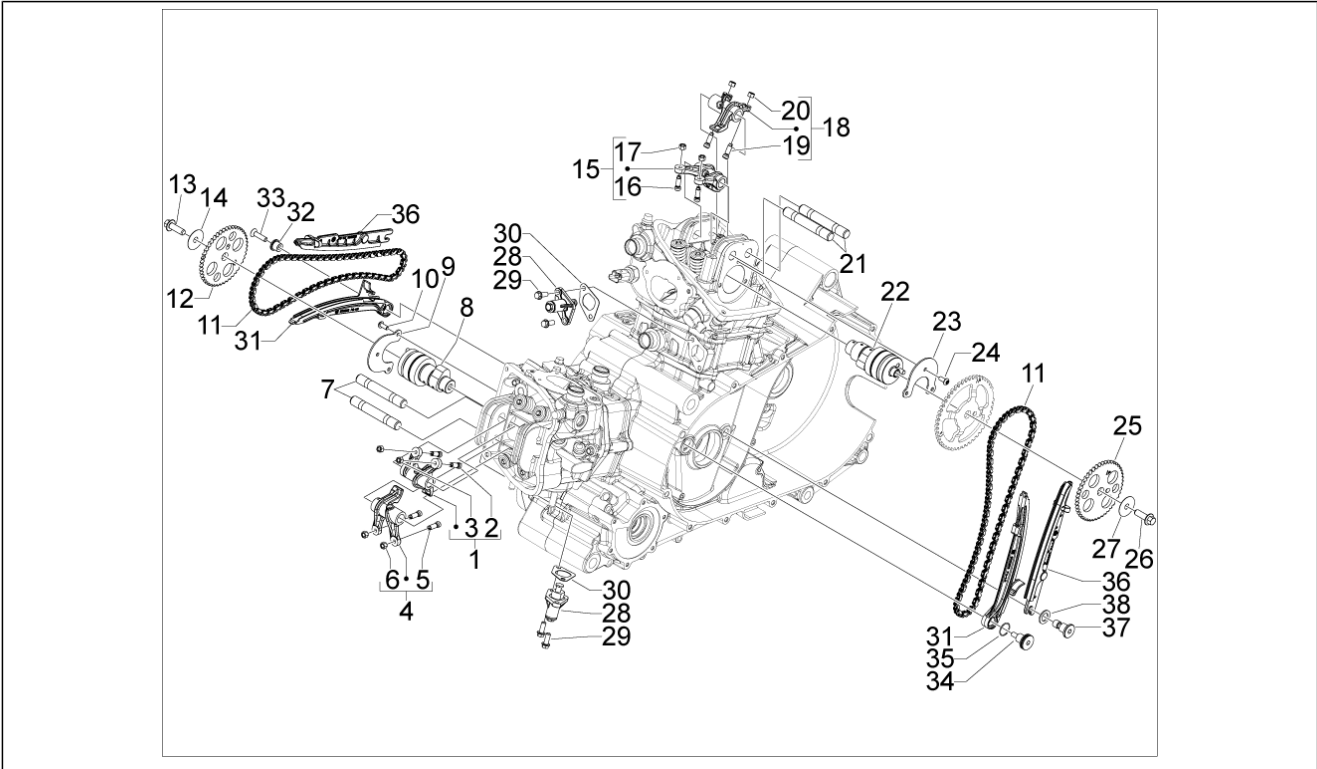
Pos.	Code	Description	Qty	Variants
27	063435	Bleed valve cap	1	
28	640485	Temperature gauge	1	
29	411311	Plug m10x1,5	1	

Group	Engine
Code	01.11
Description	Rocking levers support unit
Service	1



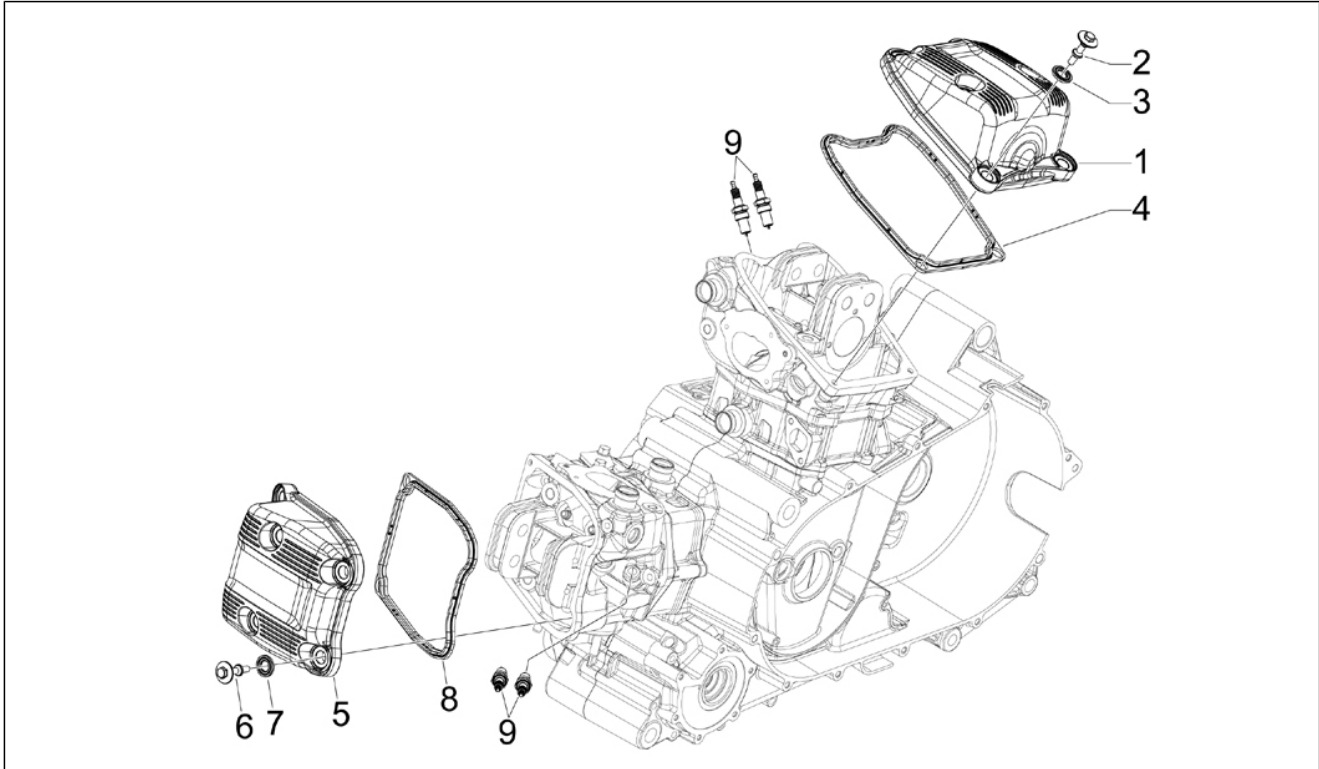
Pos.	Code	Description	Qty	Variants
1	8260275	Intake cpl. rocker	1	
2	82817R	Adjuster screw	1	
3	484819	Nut	1	
4	8260285	Exhaust cpl. rocker	1	
5	82817R	Adjuster screw	1	
6	484819	Nut	1	
7	827991	Rocker shaft	2	
8	8787875	Front camshaft	1	
9	879186	Plate	1	
10	B014598	Torx Screw M5x12	3	
11	832275	Camshaft chain	2	
12	843079	Timing system gear	1	
13	843060	Screw w/ flange	1	
14	845316	Flat washer	1	
15	826027	Rocker arm inlet	1	
16	82817R	Adjuster screw	2	
17	484819	Nut	2	
18	826028	Rocker arm exhaust	1	
19	82817R	Adjuster screw	2	
20	484819	Nut	2	
21	827991	Rocker shaft	2	
22	8465765	Camshaft	1	
23	879186	Plate	1	
24	B014598	Torx Screw M5x12	3	
25	843079	Timing system gear	1	
26	843060	Screw w/ flange	1	
27	845316	Flat washer	1	
28	289919	Chain tensioner	2	

Group	Engine
Code	01.11
Description	Rocking levers support unit
Service	1



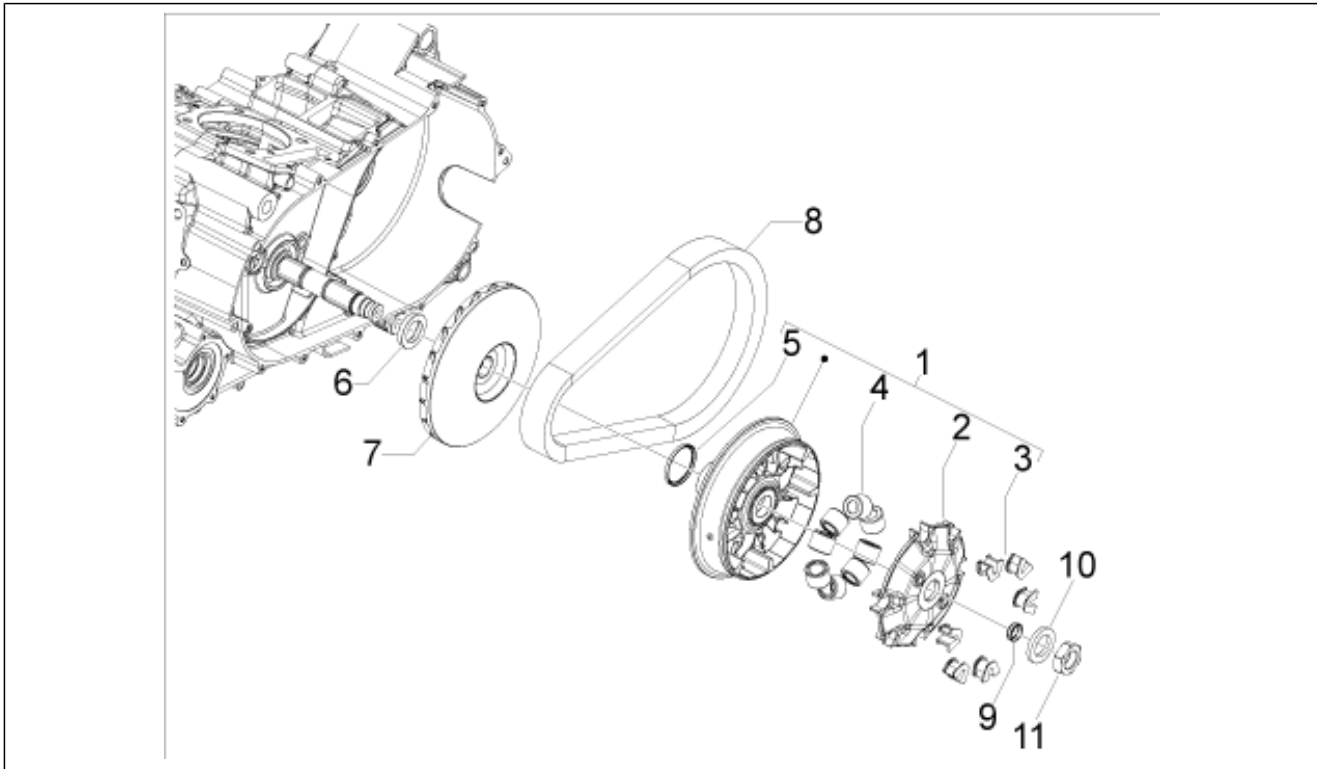
Pos.	Code	Description	Qty	Variants
28	847277	Chain tensioner bracket	2	
29	434541	Screw w/ flange M6x16	4	
30	847928	Gasket	2	
31	832293	Chain tensioner rod	2	
32	825737	Spacer	1	
33	B013443	Screw M6x25	1	
34	B013444	Special screw M6	1	
35	478012	O-ring	1	
36	832292	Chain guide plate	2	
37	B013446	Special screw	1	
38	016661	Flat washer	1	

Group	Engine
Code	01.12
Description	Cylinder head cover
Service	1



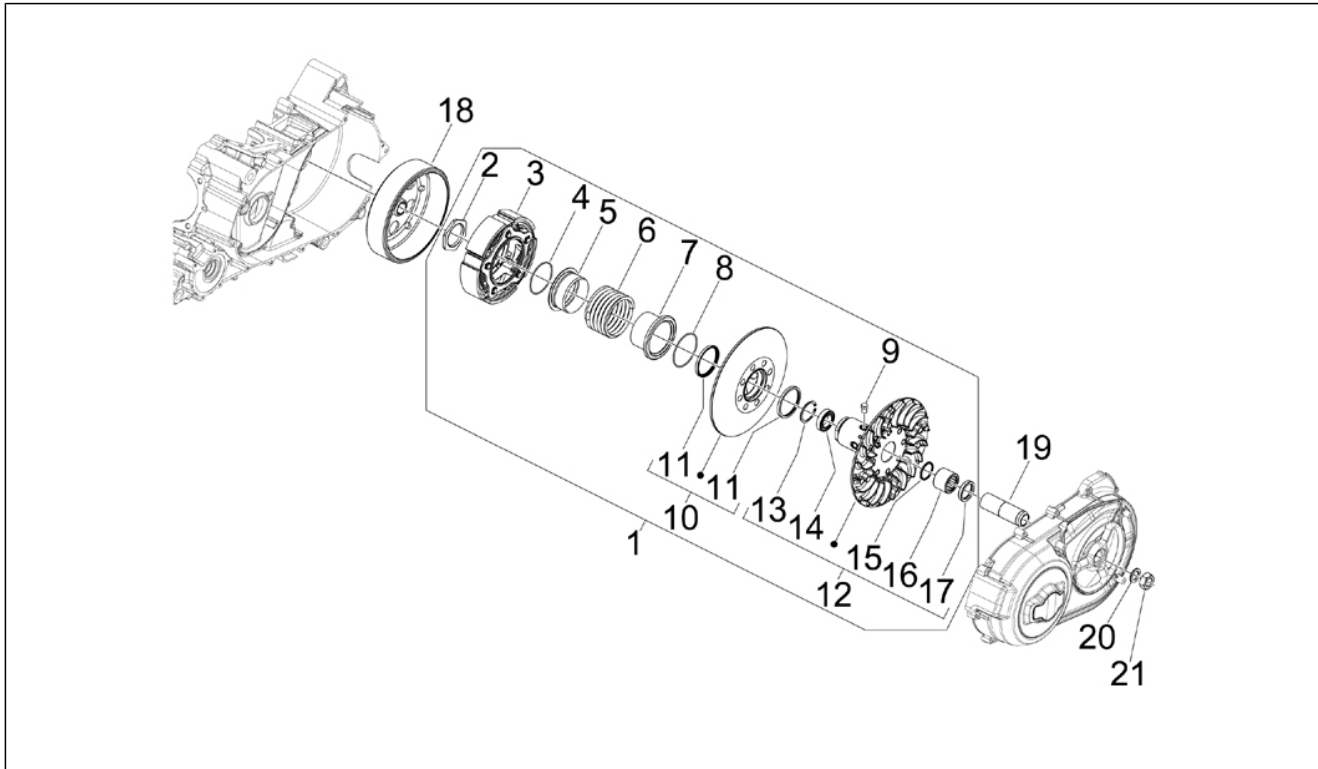
Pos.	Code	Description	Qty	Variants
1	830819	Head cover	1	
2	872635	Special screw	6	
3	830249	Damper drift	6	
4	830820	Head cover gasket	1	
5	830819	Head cover	1	
6	872635	Special screw	6	
7	830249	Damper drift	6	
8	830820	Head cover gasket	1	
9	829981	Spark plug NGK R CR7EK	4	

Group	Engine
Code	01.13
Description	Driving pulley
Service	1



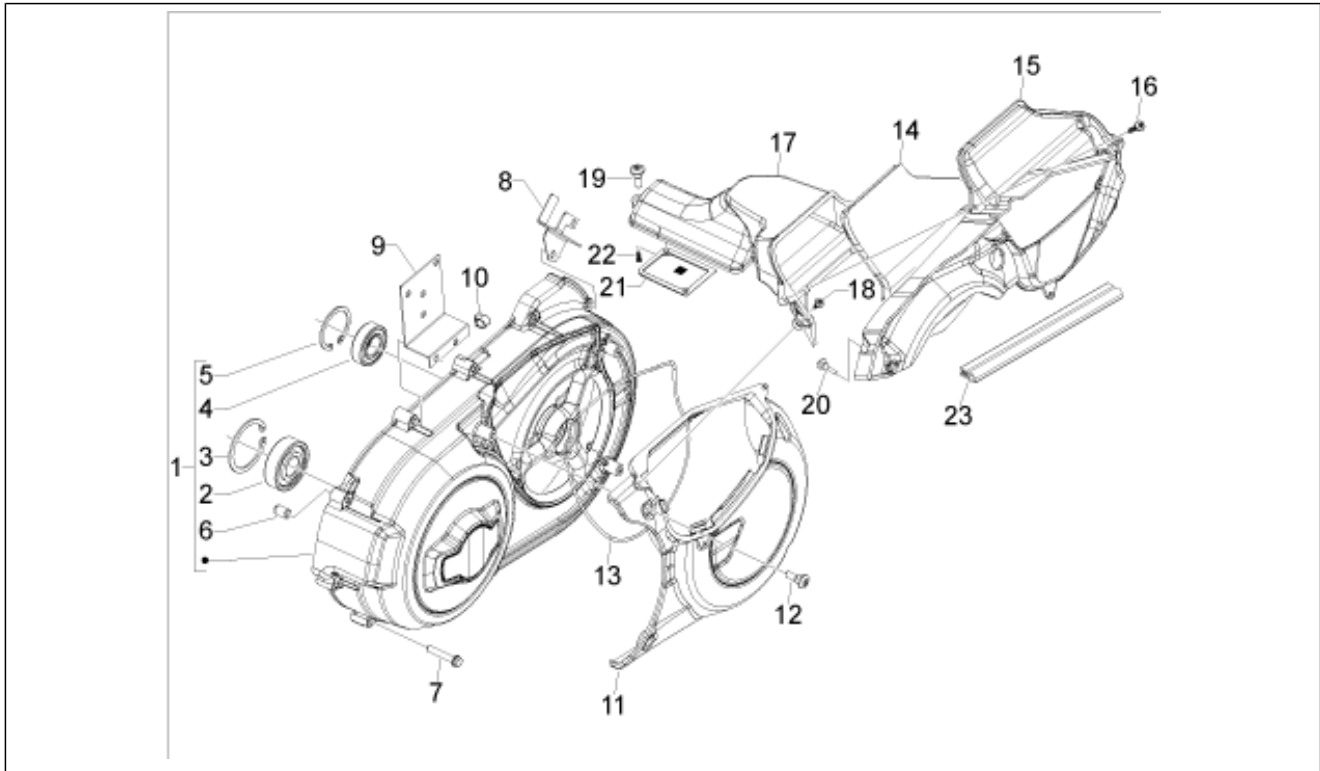
Pos.	Code	Description	Qty	Variants
1	877519	Complete roller housing	1	
2	846967	Roller contrast	1	
3	842331	Sliding block	6	
4	877514	roller complete	8	
5	846883	Sealing ring 40.47.4	1	
6	831588	Spacer	1	
7	847118	Half-pulley assy., driving	1	
8	845010	V-belt	1	
9	846763	Compensator ring	1	
10	841512	Belleville spring	1	
11	841513	Nut	1	

Group	Engine
Code	01.14
Description	Driven pulley
Service	1



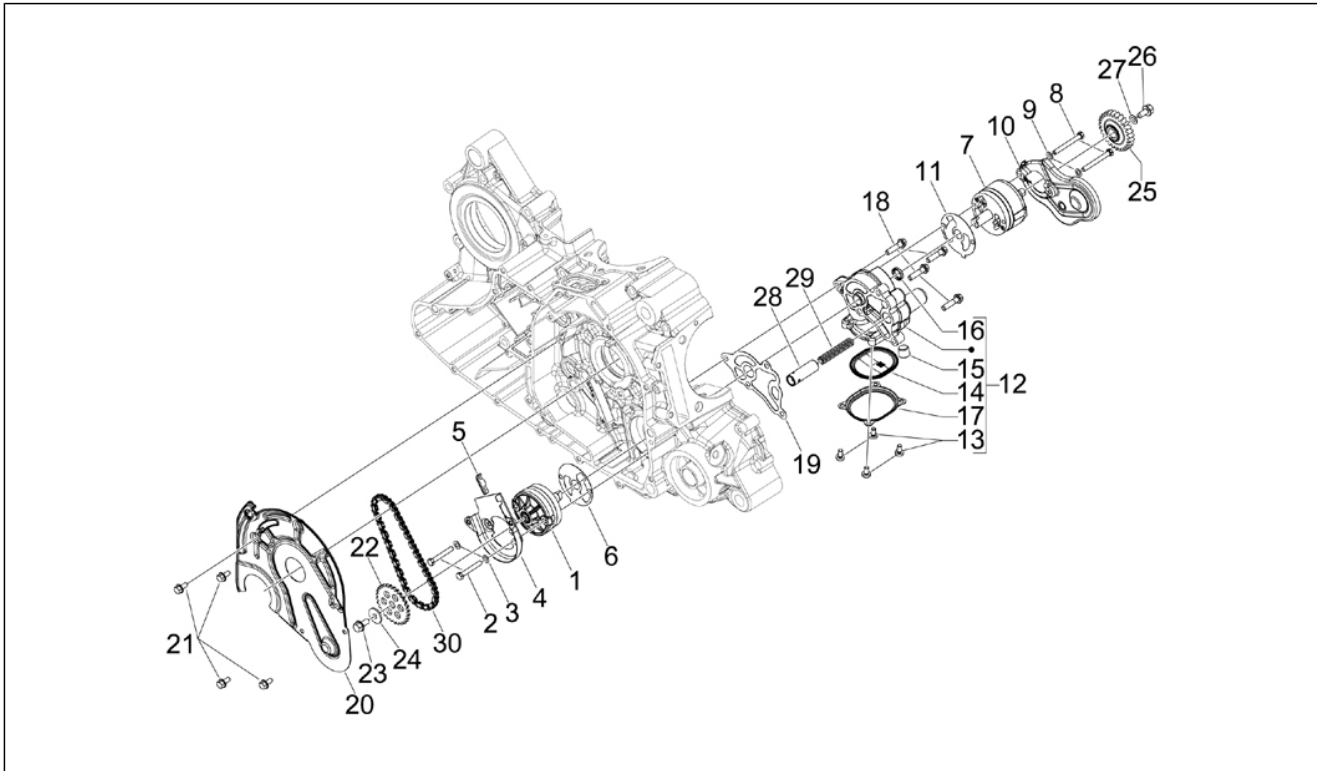
Pos.	Code	Description	Qty	Variants
1	874579	Driven pulley complete with clutch	1	
2	831618	Ring nut	1	
3	8425645	Centrifugal clutch assy	1	
4	831920	O-ring	1	
5	831195	New cup type	1	
6	875427	Variator spring	1	
7	833051	Cup	1	
8	831921	O-ring	1	
9	845367	Pin	4	
10	843750	Driven mobile half-pulley	1	
11	831623	Gasket ring	2	
12	874578	Complete fixed driven half-pulley	1	
13	831619	Snap ring	1	
14	831615	Bearing	1	
15	844806	Gasket ring	1	
16	874572	Cage à rouleaux	1	
17	825023	Gasket ring	1	
18	842917	Aluminium clutch drum	1	
19	830380	Spacer	1	
20	833052	Flat washer	1	
21	829232	Nut M18x1,5	1	

Group	Engine
Code	01.15
Description	Crankcase cover - Crankcase cooling
Service	1



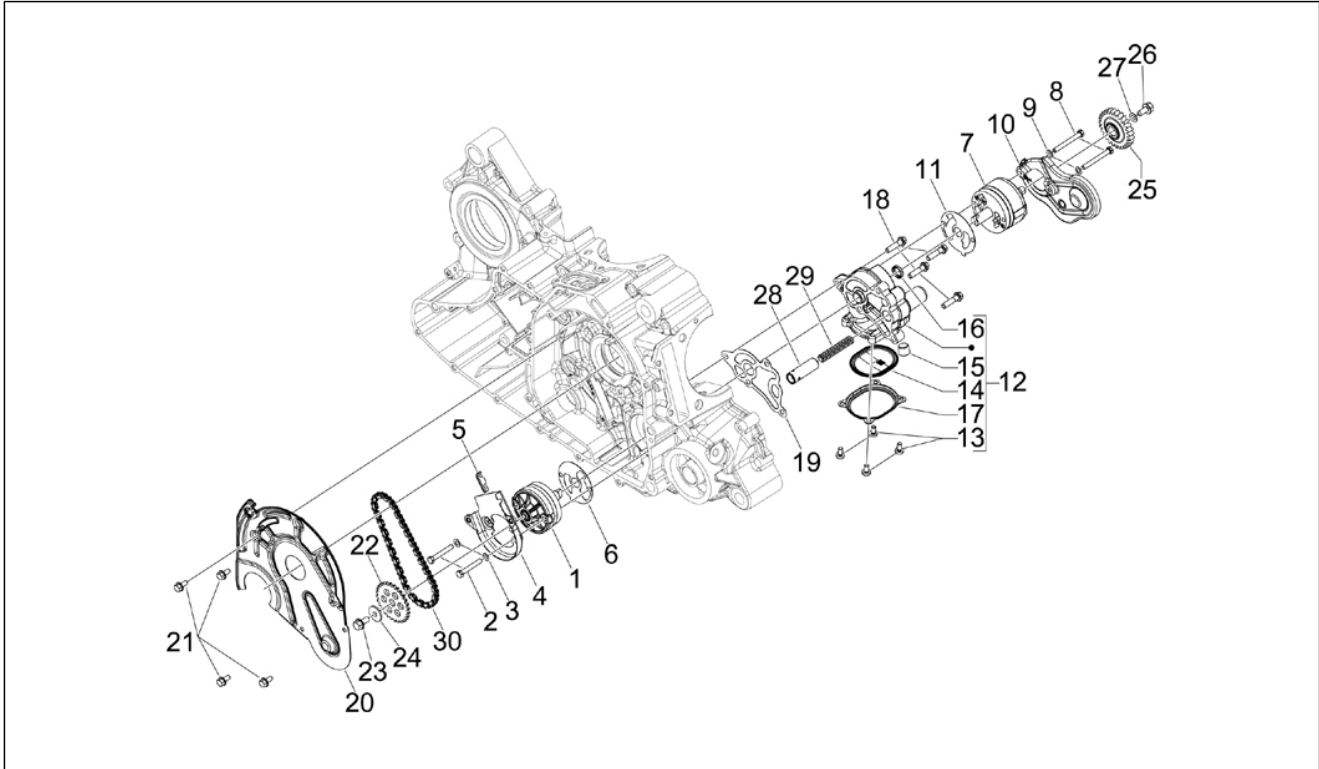
Pos.	Code	Description	Qty	Variants
1	8330455	Transmission cover with U.P.	1	
2	841532	Radial ball bearing	1	
3	006652	Snap ring	1	
4	82656R	Bearing 20x42x1	1	
5	006642	Circlip	1	
6	239388	Pin 6,5x9,5x15	2	
7	414838	screw M6x35	12	
8	640648	Connectors support bracket	1	
9	639537	Clamp support bracket	1	
10	194945	Spring	1	
11	873495	Cooling Cover	1	
12	270361	Screw M6x20	4	
13	832989	cooling cover gasket	1	
14	873513	Transmission housing air filter	1	
15	654970	Belt cooling duct	1	
16	258146	Self-tap screw M3x20	2	
17	873494	Belt/transm. cooling conduit	1	
18	297498	Self tapping screw M3,5x13	3	
19	270361	Screw M6x20	4	
20	293717	Cover	1	
21	873412	Mesh filter	1	
22	018603	screw TBC 3,6x12	2	
23	655314	Duct gasket	1	

Group	Engine
Code	01.18
Description	Oil pump
Service	1



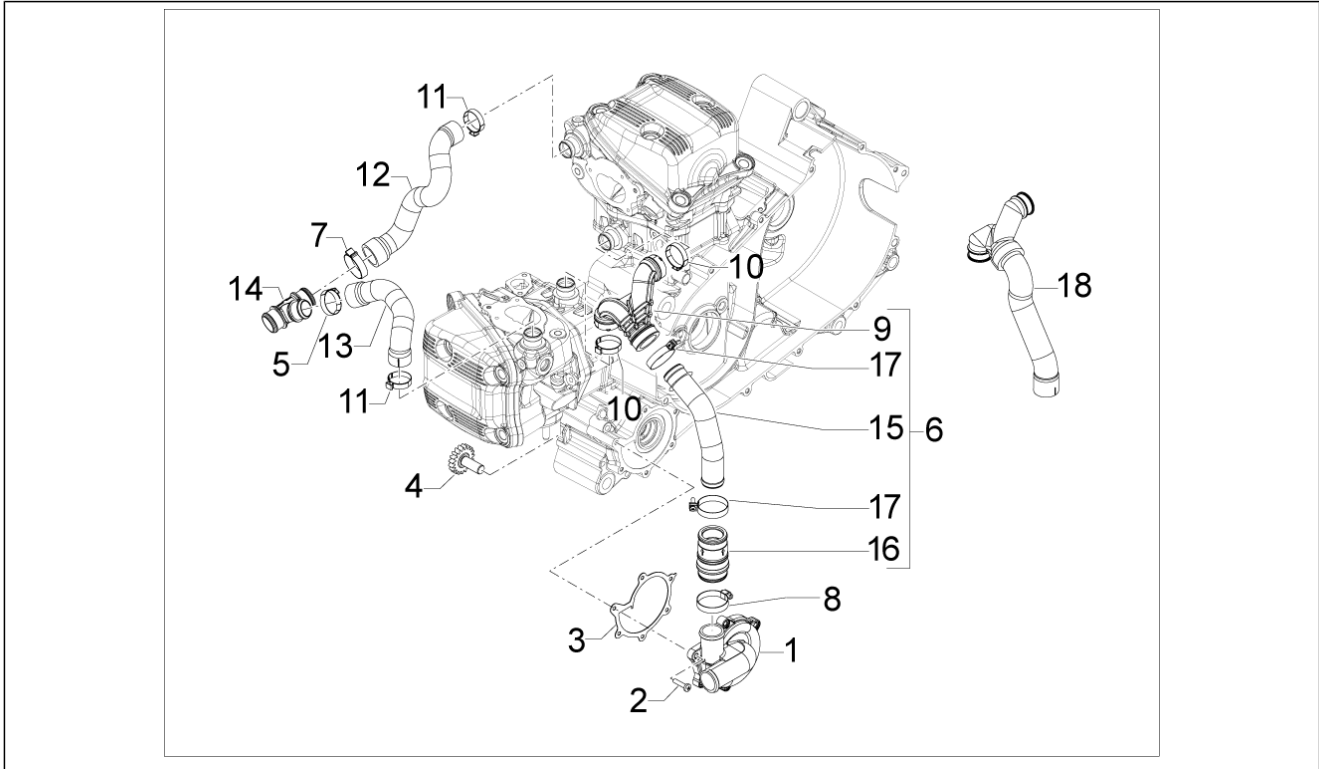
Pos.	Code	Description	Qty	Variants
1	876841	Oil pump delivery	1	
2	030039	Hex screw	2	
3	006965	Washer 5.3x10x10	2	
4	833055	Plate	1	
5	845246	Sliding block	1	
6	833046	Gasket	1	
7	834025	Oil pump recover	1	
8	030039	Hex screw	2	
9	006965	Washer 5.3x10x10	2	
10	834043	Protection	1	
11	833046	Gasket	1	
12	8343295	Oil pump support	1	
13	018575	Screw M5x10	4	
14	834179	Intake oil filter	1	
15	411311	Plug m10x1,5	1	
16	82756R	Gasket ring	1	
17	834031	Plate	1	
18	414837	Screw w/ flange M6x25	4	
18	B016774	Screw w/ flange M6x25	4	
19	834195	Gasket	1	
20	8444545	Oil bulhead	1	
21	484123	Screw w/ flange	4	
22	832278	Oil pump gear	1	
23	847421	Hex screw M6x16	1	
24	875160	Stop washer	1	
25	832906	Oil pump gear	1	
26	833722	Screw w/ flange M6x14	1	
26	B016426	Screw w/ flange M6x14	1	

Group	Engine
Code	01.18
Description	Oil pump
Service	1



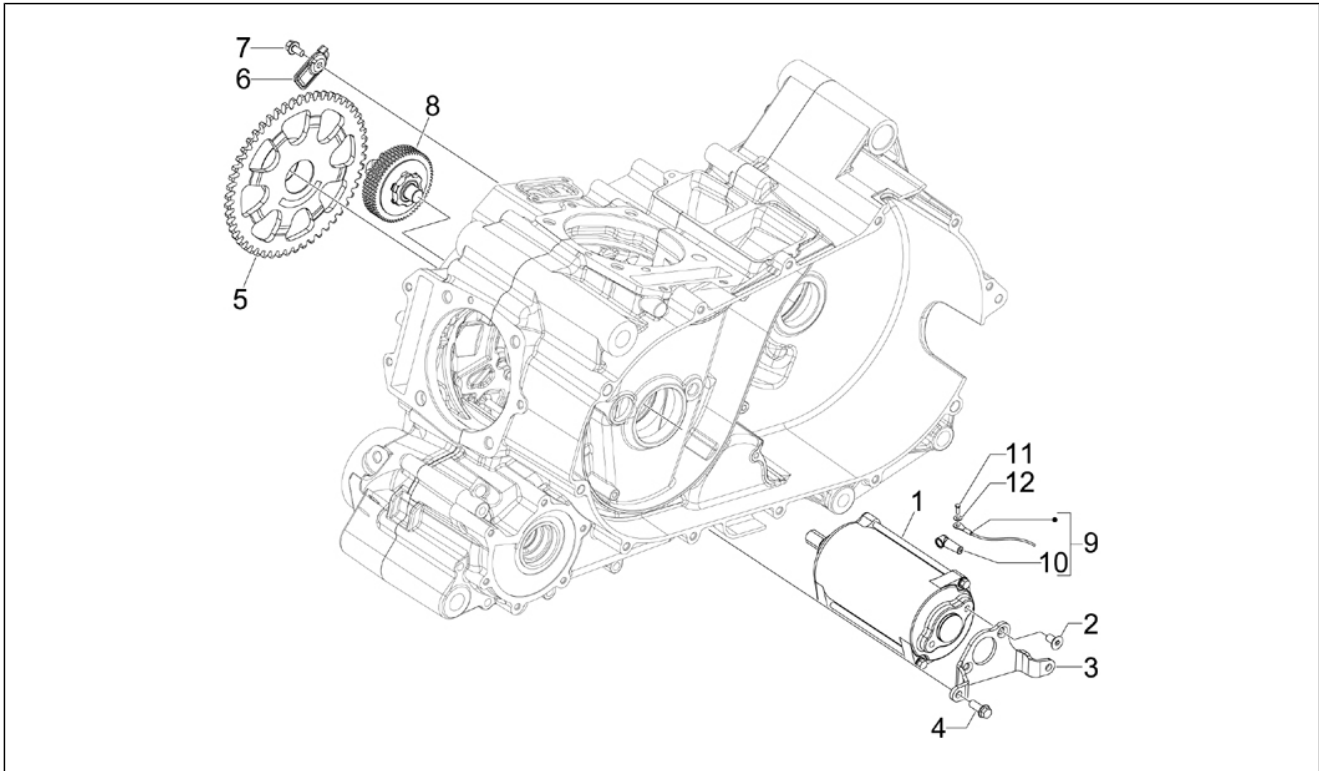
Pos.	Code	Description	Qty	Variants
27	006976	Spring washer 12x6,4x0,5	1	
28	834033	Pressure valve	1	
29	831130	Valve spring	1	
30	831333	Oil pump chain	1	

Group	Engine
Code	01.19
Description	Cooler pump
Service	1



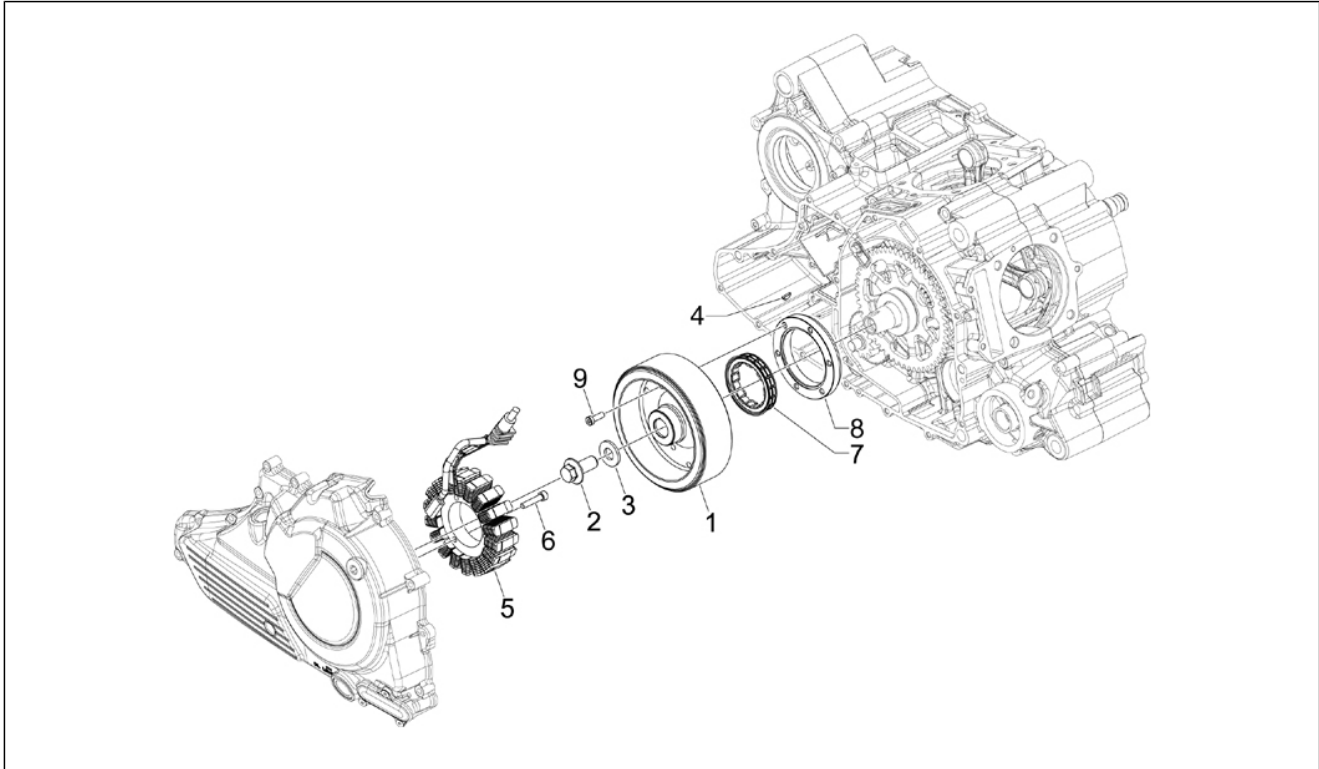
Pos.	Code	Description	Qty	Variants
1	878050	Water pump cover	1	
2	B016808	Torx Screw M5x20	6	
3	B013480	Water pump cover gasket	1	
3	B018029	Water pump cover gasket	1	
4	832926	Gear	1	
5	CM001924	Hose clamp	1	
6	497573	cooling system kit "GP800"	1	
7	CM001917	Hose clamp	1	
8	654184	Hose clamp	1	
8	842202	Hose clamp	1	
9	876695	Delivery water pipe	1	
10	709690	Hose clamp	2	
10	842202	Hose clamp	4	
11	CM001908	Hose clamp	2	
12	847376	Rear head joint pipe	1	
13	834311	Front head joint pipe	1	
14	842071	Tee union	1	
15	877376	Delivery water pipe	1	
16	880256	Hose union	1	
17	878608	Hose clamp 32-38	2	
18	B017116	Delivery water pipe	1	

Group	Engine
Code	01.20
Description	Stater - Electric starter
Service	1



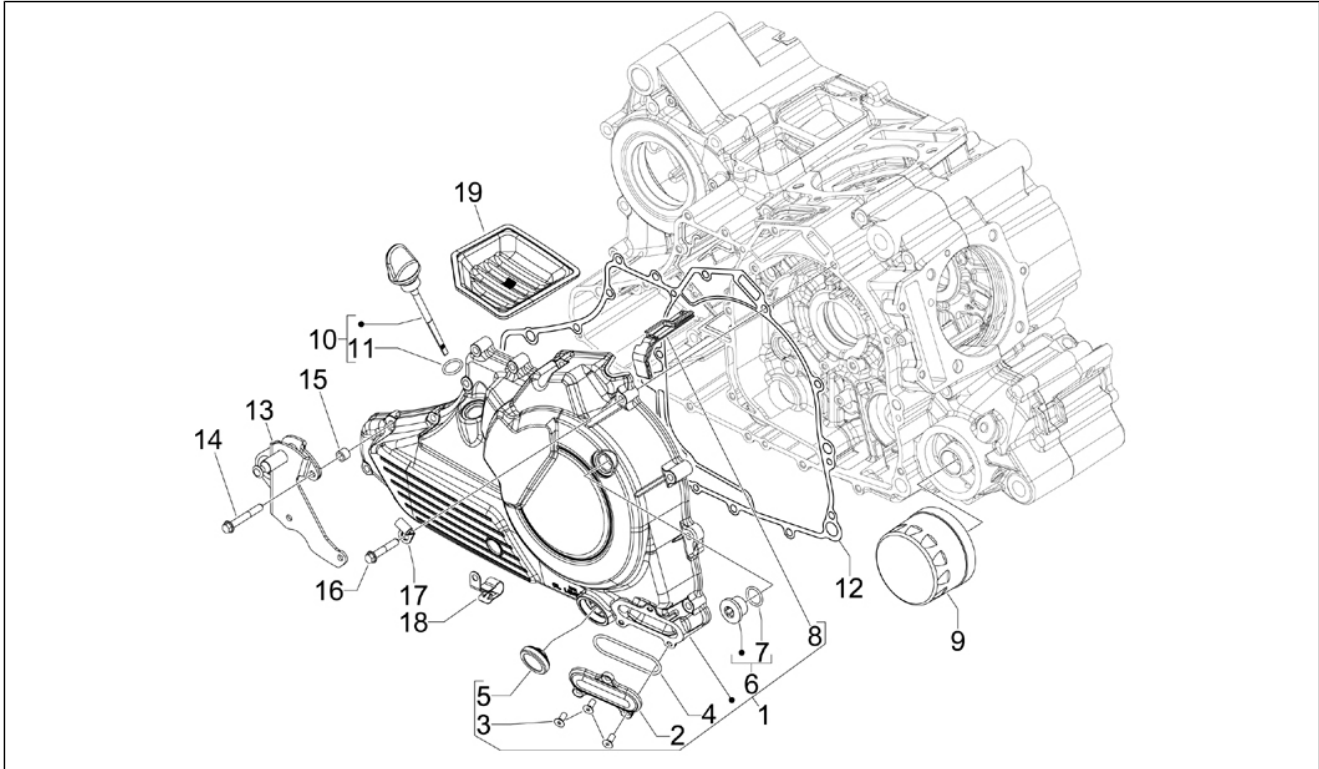
Pos.	Code	Description	Qty	Variants
1	82697R	Starter motor	1	
2	840542	Screw	2	
3	841113	Support clamp	1	
4	434541	Screw w/ flange M6x16	2	
5	842879	Starter motor gear	1	
6	833011	Plate	1	
7	484123	Screw w/ flange	1	
8	876835	Torque limiter	1	
9	640459	Starter cable	1	
10	581061	Cap	1	
11	581596	screw	1	
12	016405	Spring washer 8,5x5,1x1,5	1	

Group	Engine
Code	01.21
Description	Flywheel magneto
Service	1



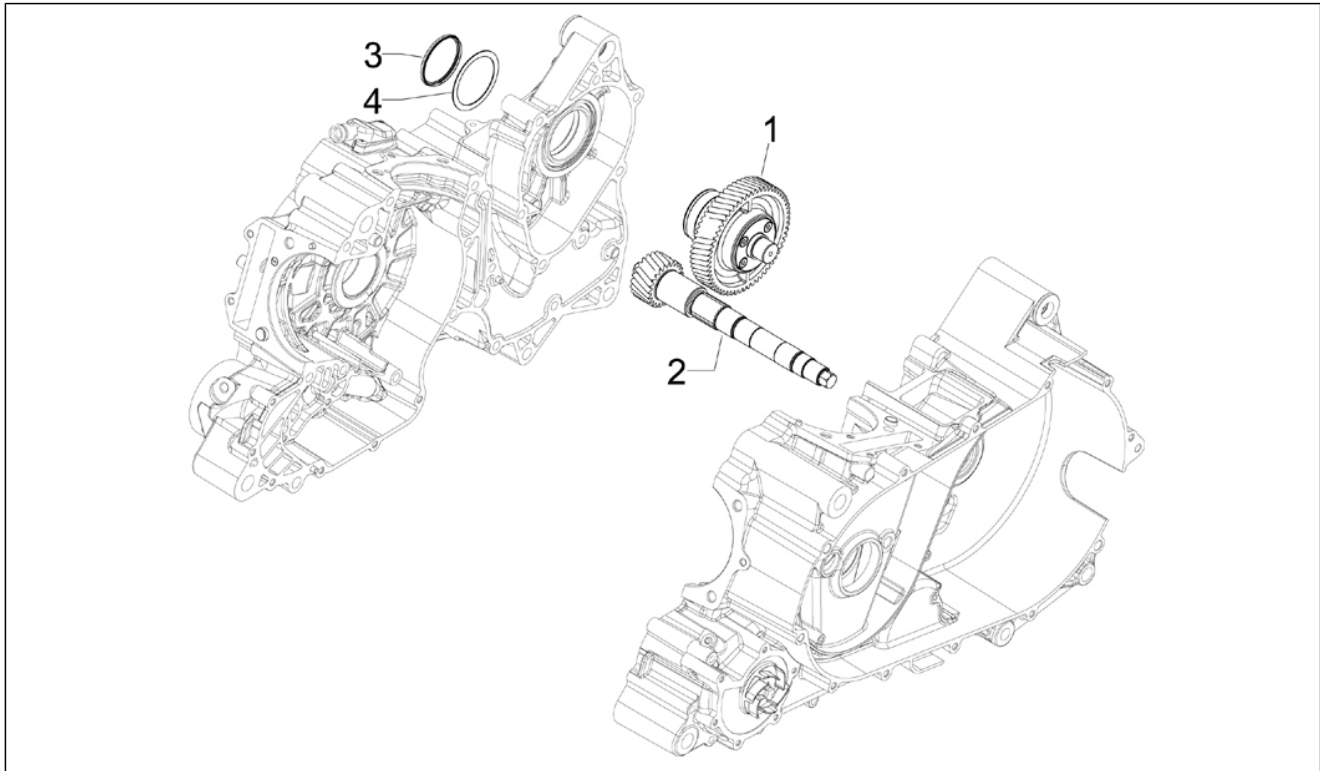
Pos.	Code	Description	Qty	Variants
1	58146R	Rotor cpl.	1	
2	B015563	Screw w/ flange M14x30	1	
3	825725	Flat washer 14.1x30x3	1	
4	000267	Transmission key	1	
5	58183R	Stator cpl.	1	
6	B013463	Hex socket screw M6x30	3	
7	82945R	Sprag clutch	1	
8	830390	Sprag clutch housing	1	
9	B013207	Hex socket screw M6x18	6	

Group	Engine
Code	01.23
Description	Flywheel magneto cover - Oil filter
Service	1



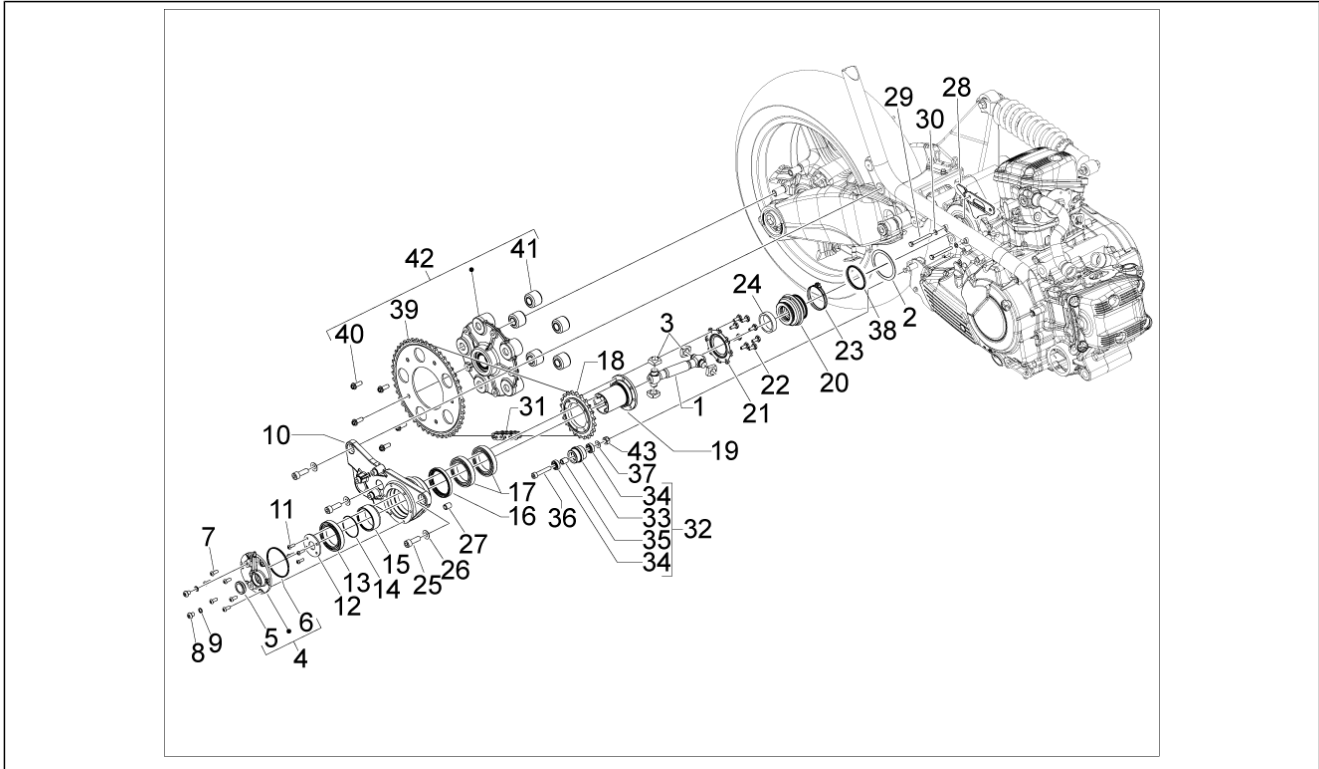
Pos.	Code	Description	Qty	Variants
1	8329915	Flywheel side cover	1	
2	843864	Oil cover	1	
3	878867	screw	3	
4	168201	Gasket	1	
5	485693	Oil level indicator	1	
6	8290405	Timing plug assembly	1	
7	479986	O-ring	1	
8	843370	Protection	1	
9	82960R	Oil filter	1	
10	874707	Oil plug rod	1	
11	874706	O-ring	1	
12	832990	Gasket	1	
13	649735	Chain support bracket with i.p.	1	
14	874745	Screw w/ flange M6x45	5	
15	649514	Spacer	3	
16	414838	screw M6x35	13	
17	564629	Hose clamp	2	
18	487948	Hose clamp	1	
19	833007	Oil filter	1	

Group	Engine
Code	01.25
Description	Reduction unit
Service	1



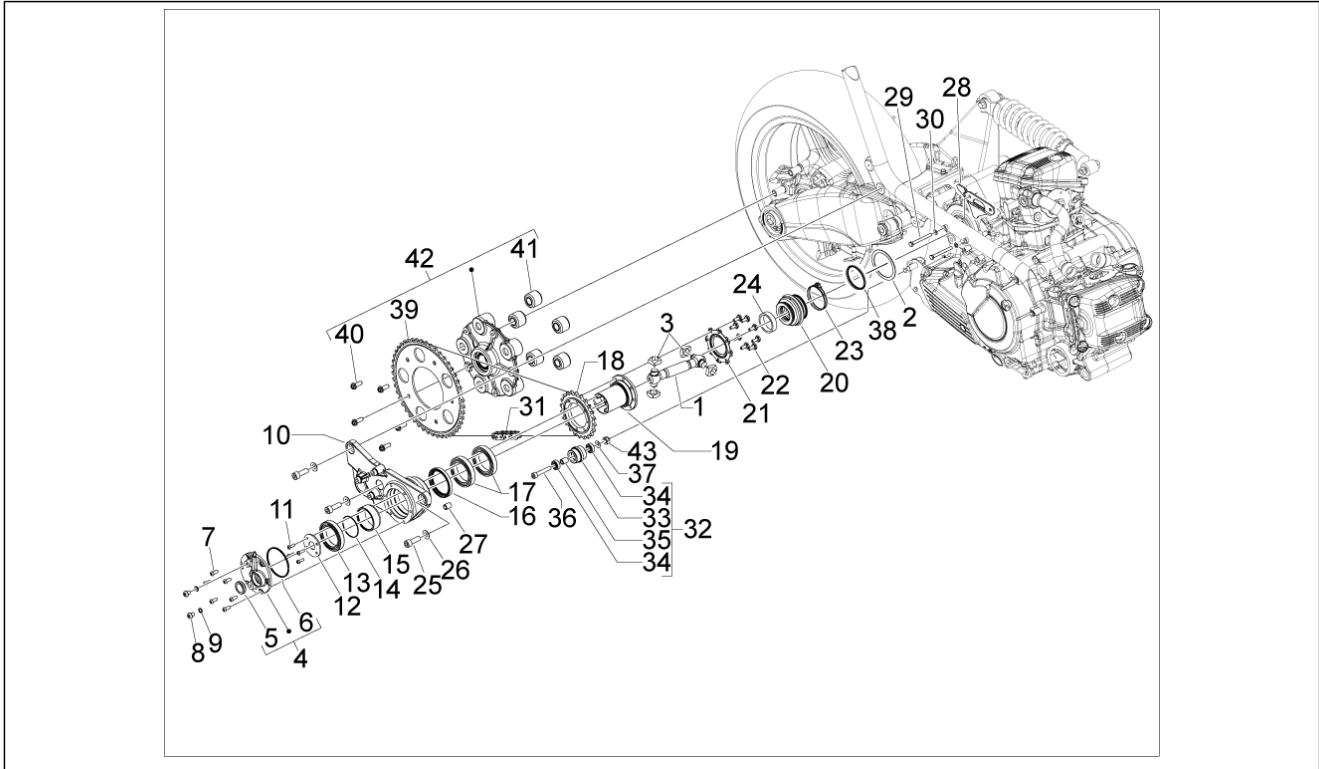
Pos.	Code	Description	Qty	Variants
1	B013222	Toothed wheel	1	
2	8456015	Driven pulley shaft	1	
3	650103	Snap ring	1	
4	874981	Flat washer	1	

Group	Engine
Code	01.26
Description	Transmission assembly
Service	1



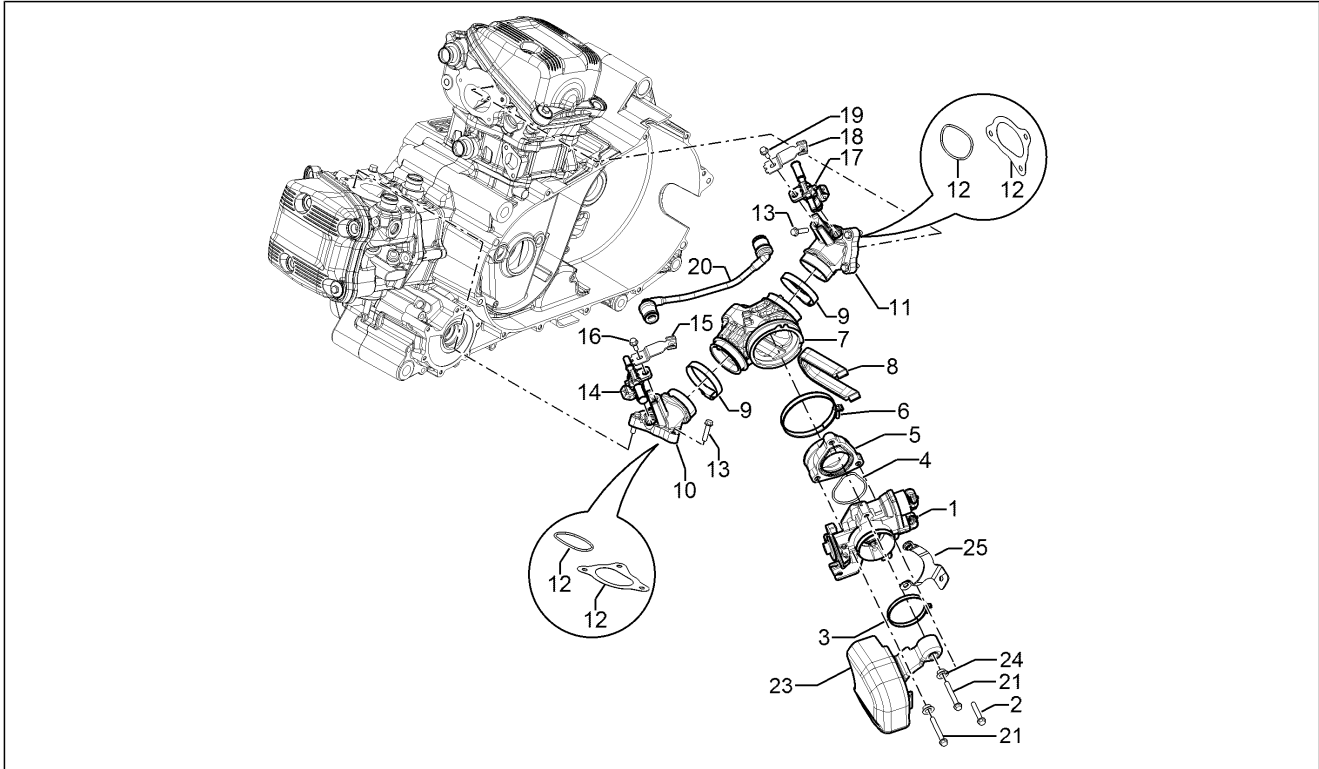
Pos.	Code	Description	Qty	Variants
1	876490	Complete carding axle	1	
2	874981	Flat washer	1	
3	8753764	Sliding block	4	
4	601550	Joint cover	1	
5	485693	Oil level indicator	1	
6	601552	Gasket ring	1	
7	873433	Hex socket screw	6	
8	846609	screw M8x10	2	
9	485703	Washer 8.2x12x1	2	
10	649415	Carding support with i.p.	1	
11	650901	Hex socket screw	4	
12	650084	Washer	1	
13	82925R	Radial bearing	1	
14	846607	Gasket	1	
15	649427	Spacer	1	
16	846606	Gasket ring 58-72-8	1	
17	82924R	Radial bearing 50x72x12	2	
18	649484	Pinion 5/8" X 5/16"	1	
19	876014	Bushing	1	
20	649928	Complete oil seal hood	1	
21	649474	Hood fixing ring	1	
22	847421	Hex screw M6x16	8	
23	650153	Hose clamp M4	1	
24	650132	Ring	1	
25	564632	Special cap screw	3	
26	006970	Washer	3	
27	825597	Pin 11,8X10	1	
28	649826	Pinion protection	1	

Group	Engine
Code	01.26
Description	Transmission assembly
Service	1



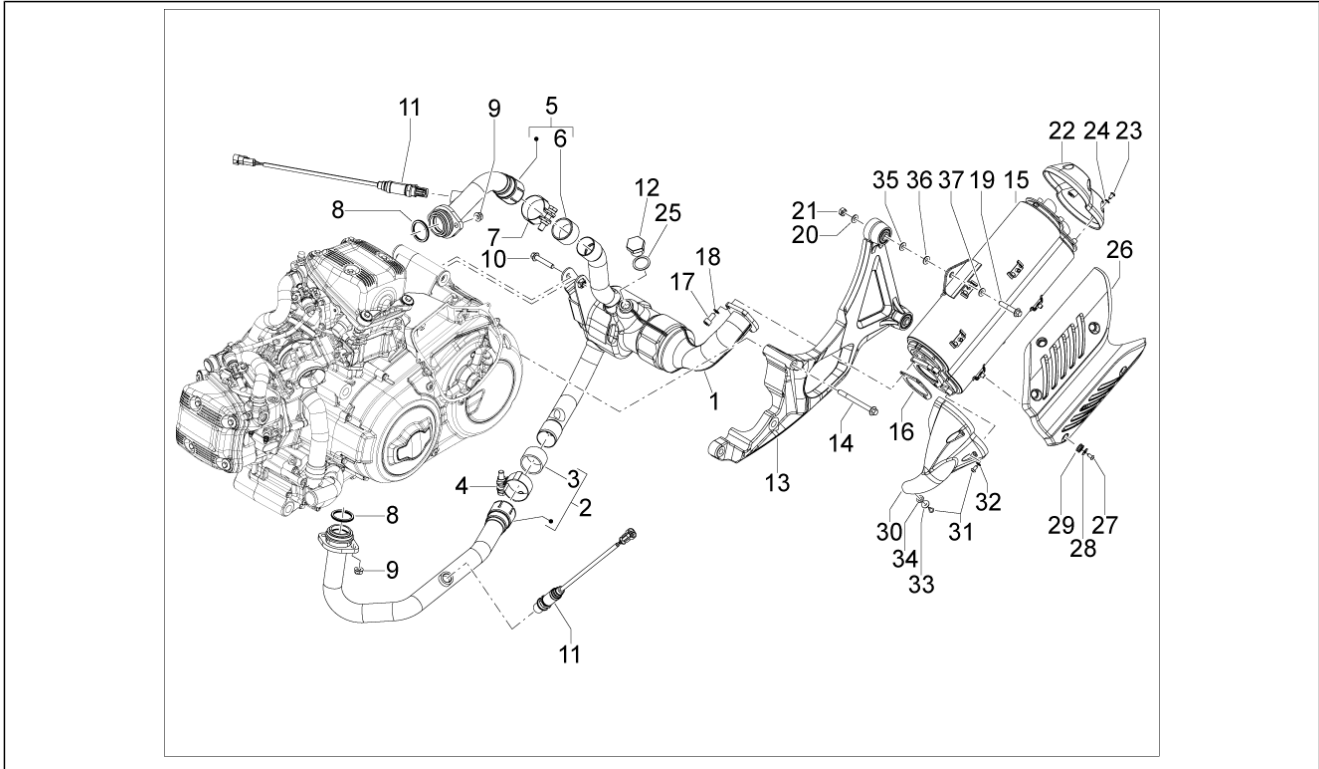
Pos.	Code	Description	Qty	Variants
29	030062	screw	2	
30	006976	Spring washer 12x6,4x0,5	2	
31	649481	Chain 137/525	1	
32	649823	Chain tensioner roller	1	
33	AP8161074	Black chain guide roller	1	
34	AP8110117	Bearing	2	
35	AP8161076	Spacer	1	
36	826298	Hex socket screw	1	
37	316144	Washer	1	
38	650103	Snap ring	1	
39	651095	Chain ring 5/16	1	
40	651295	Screw w/ flange	5	
41	650743	Spring drive rubber	5	
42	650745	Gruppo parastrappi completo	1	
43	195483	Self locking nut M8	1	

Group	Engine
Code	01.36
Description	Throttle body - Injector - Union pipe
Service	1



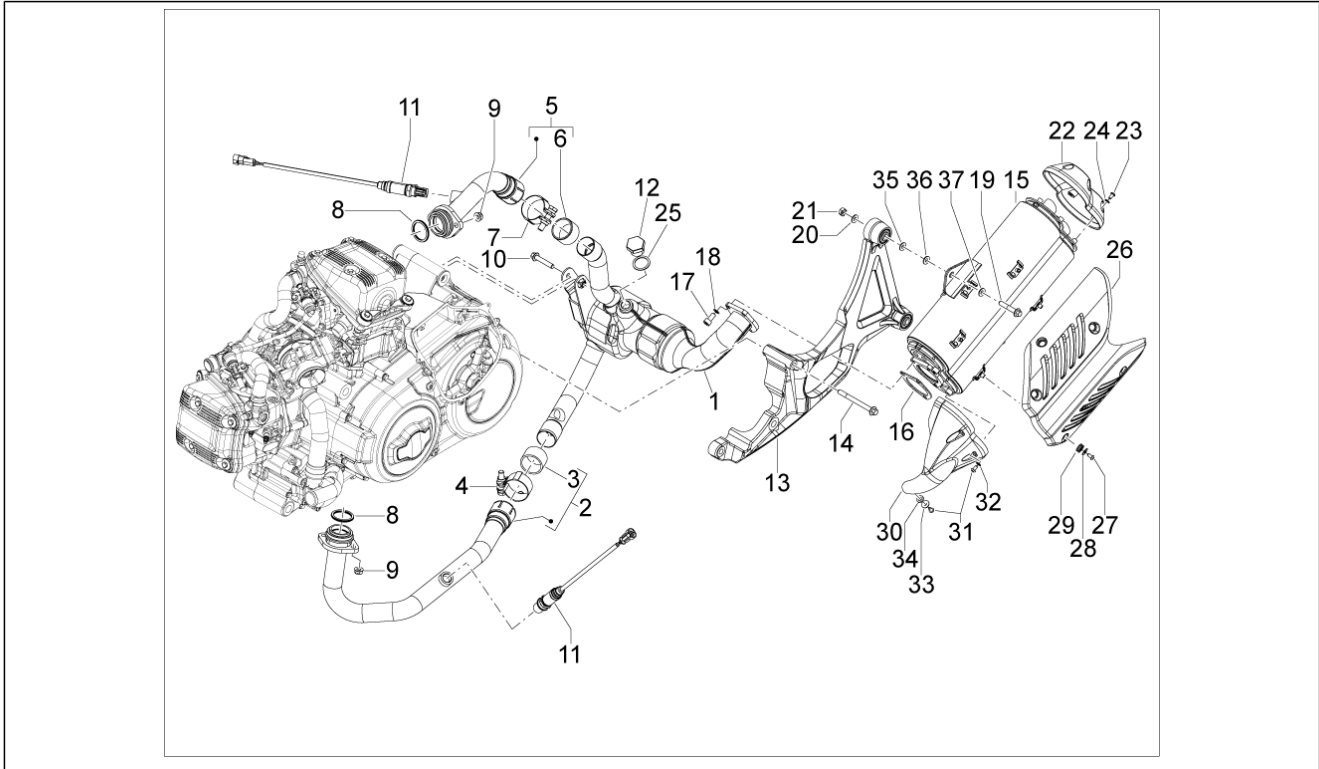
Pos.	Code	Description	Qty	Variants
1	641220	Throttle body cpl.	1	
2	414838	screw M6x35	1	
3	854970	Hose clamp SM9C W1 6	1	
4	832011	Gasket	1	
5	841698	Maintenance	1	
6	843406	Hose clamp	1	
7	841697	Intake manifold	1	
8	843404	Insert	1	
9	614188	Hose clamp	2	
10	880652	Union	1	
11	880652	Union	1	
12	B017118	Induction joint gasket	2	
13	414837	Screw w/ flange M6x25	6	
13	B016774	Screw w/ flange M6x25	6	
14	8720235	Complete injector	1	
15	654190	Fuel pipe plate	1	
16	830061	Screw w/ flange M5x16	1	
17	5848135	Injector kit complete	1	
18	654190	Fuel pipe plate	1	
19	830061	Screw w/ flange M5x16	1	
20	842199	pipe	1	
21	872117	Screw w/ flange	2	
23	655778	Throttle body cover	1	
24	AP8121811	T bush	2	
25	B016615	Plate	1	
25	B017638	Plate with i.p.	1	

Group	Engine
Code	01.42
Description	Silencer
Service	1



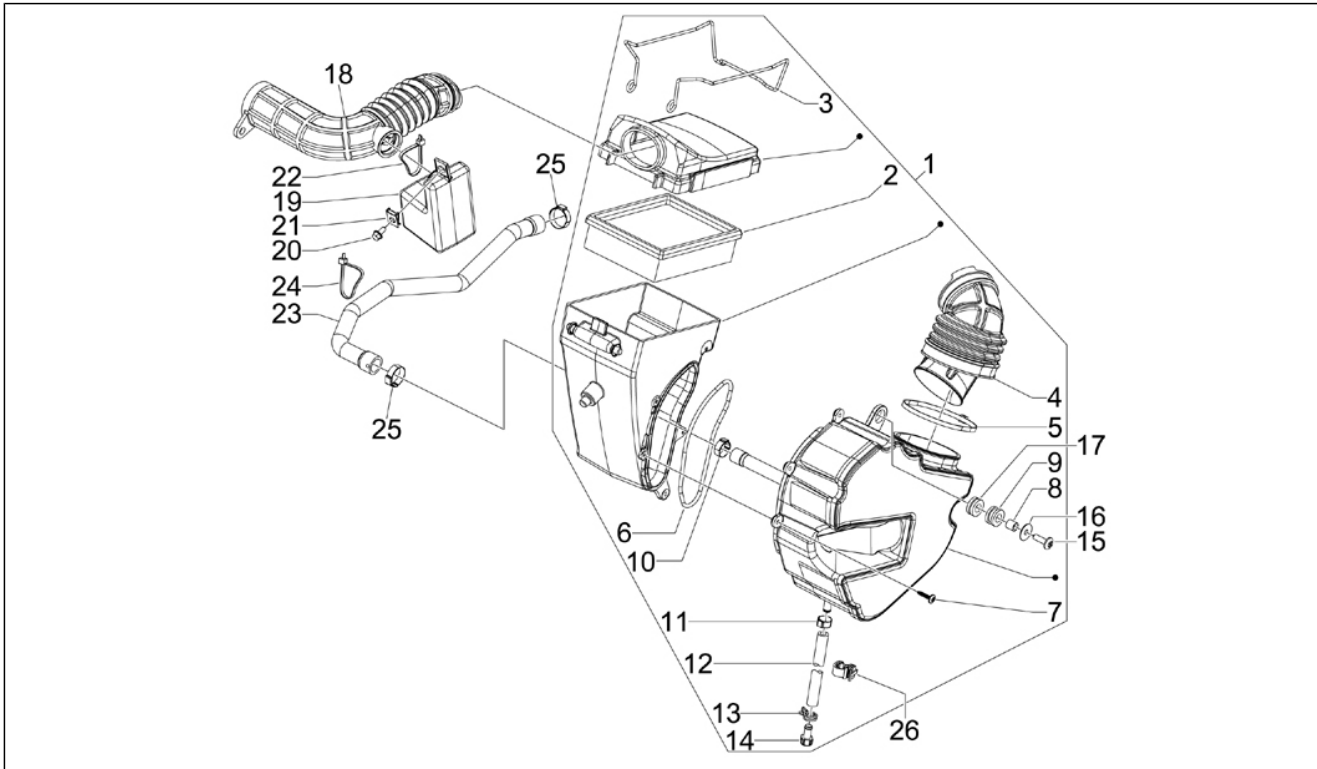
Pos.	Code	Description	Qty	Variants
1	875845	Silencer with I.P.	1	
2	B0163255	Front cylinder pipe with i.p.	1	
3	874946	Graphite bushing	1	
4	874957	Hose clamp	2	
5	B0163275	Head side rear cylinder pipe	1	
6	874946	Graphite bushing	1	
7	874957	Hose clamp	2	
8	851582	Exhaust pipe gasket	2	
9	015341	Flanged nut	4	
10	487211	Screw w/ flange M8x45	1	
11	639806	Lamda sensor	2	
12	B016357	Bushing	1	
13	B0176015	Silencer connection arm	1	
14	828566	Hexagonal-head screw m8x90	1	
15	874480	Silencer	1	
16	872256	Gasket	1	
17	319165	screw	3	
18	316144	Washer	3	
19	478895	Screw w/ flange	2	
20	013880	Flat washer 16x6,5x1,5	2	
21	012138	Nut	2	
22	B016936	Protection	1	
23	842908	screw M5x10	7	
24	567672	Washer	7	
25	B016365	gasket	1	
26	B016935	Protection	1	
27	842908	screw M5x10	6	
28	841821	Washer 6,6x18x1,6	6	

Group	Engine
Code	01.42
Description	Silencer
Service	1



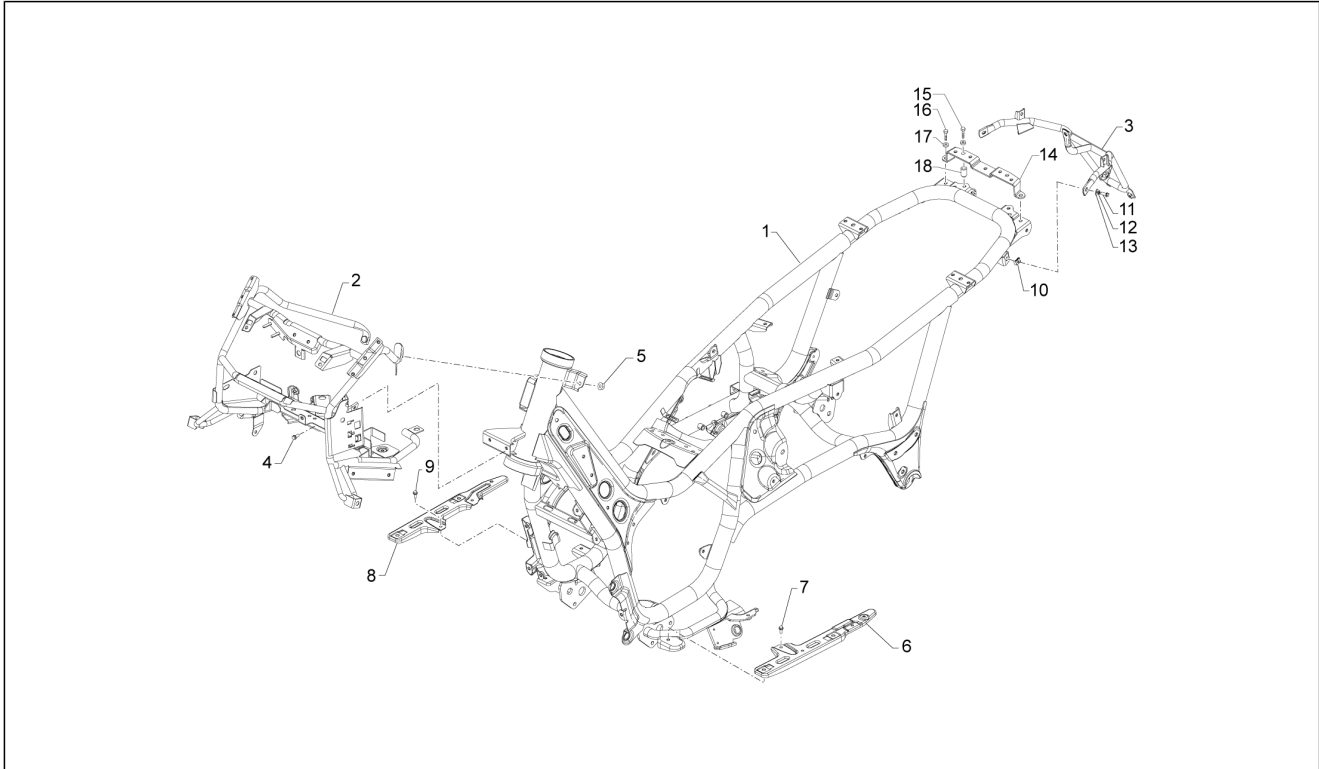
Pos.	Code	Description	Qty	Variants
29	487665	Fairlead	6	
30	B016934	Protection	1	
31	842908	screw M5x10	3	
32	567672	Washer	2	
33	841821	Washer 6,6x18x1,6	1	
34	826117	Spacer	1	
35	834951	Conical washer	2	
36	875371	Flat washer	2	
37	875733	Flat washer	2	

Group	Engine
Code	01.45
Description	Air filter
Service	1



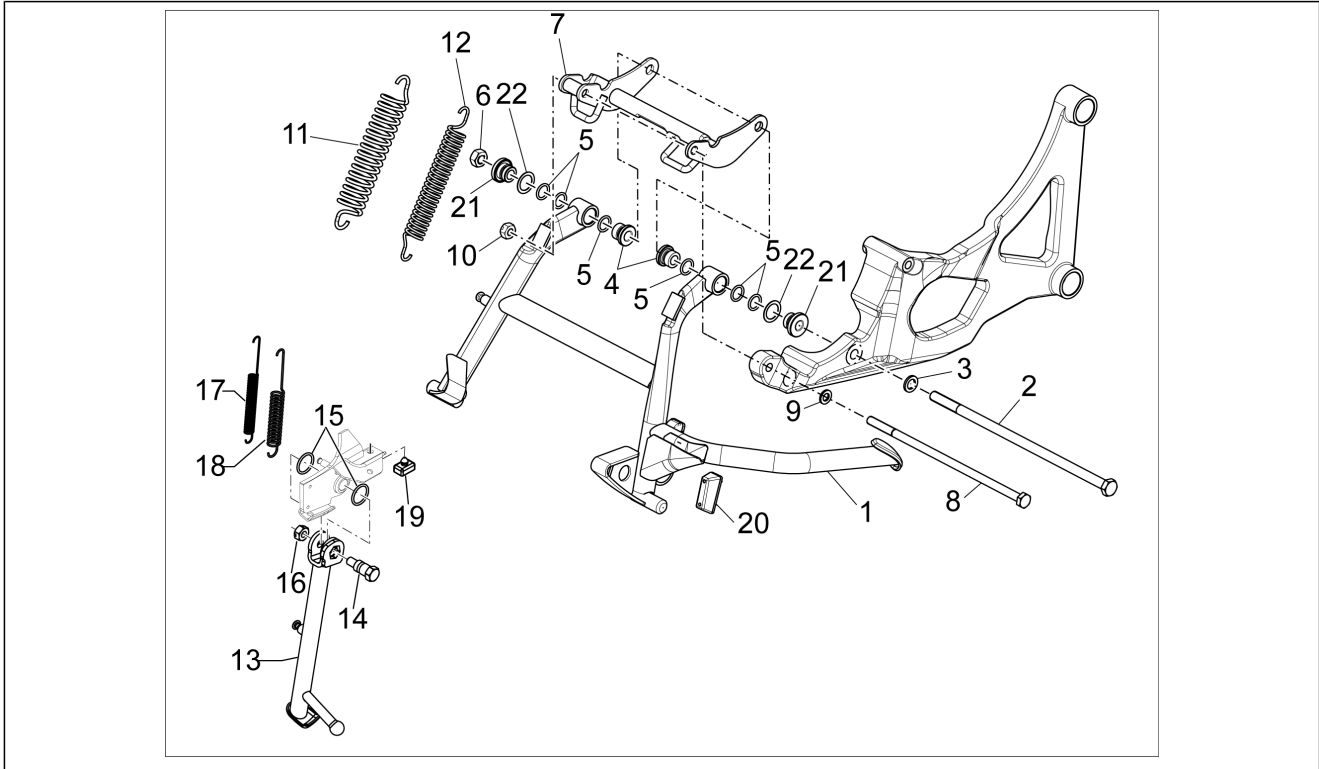
Pos.	Code	Description	Qty	Variants
1	873325	Complete air cleaner box.	1	
2	871993	Filtering element (UFI)	1	
3	871995	Air cleaner closing spring	1	
4	873432	Air cleaner sleeve / throttle body	1	
5	561886	Hose clamp	1	
6	872966	Gasket	1	
7	258146	Self-tap screw M3x20	5	
8	257302	Spacer	2	
9	257301	Pad	2	
10	CM001921	Hose clamp	1	
11	CM001913	Hose clamp	1	
12	CM024103	pipe Diametro 7x12 L.300	1	
13	CM002908	Hose clamp	1	
14	833965	Cover	1	
15	259830	Metric screw M6x20	2	
16	013092	Washer d6,2x20x1	2	
17	258904	Lower rubber	1	
18	871994	Intake hose	1	
19	872232	Intake resonator	1	
20	484123	Screw w/ flange	1	
21	248419	Spring plate m5	1	
22	145298	Lock-strap L=180mm	1	
23	873521	Blow-by pipe (external)	1	
24	145298	Lock-strap L=180mm	1	
25	CM001905	Hose clamp	2	
26	CM013201	Spring	1	

Group	Frame - Plastic parts - Coachwork
Code	02.01
Description	Frame/bodywork
Service	1



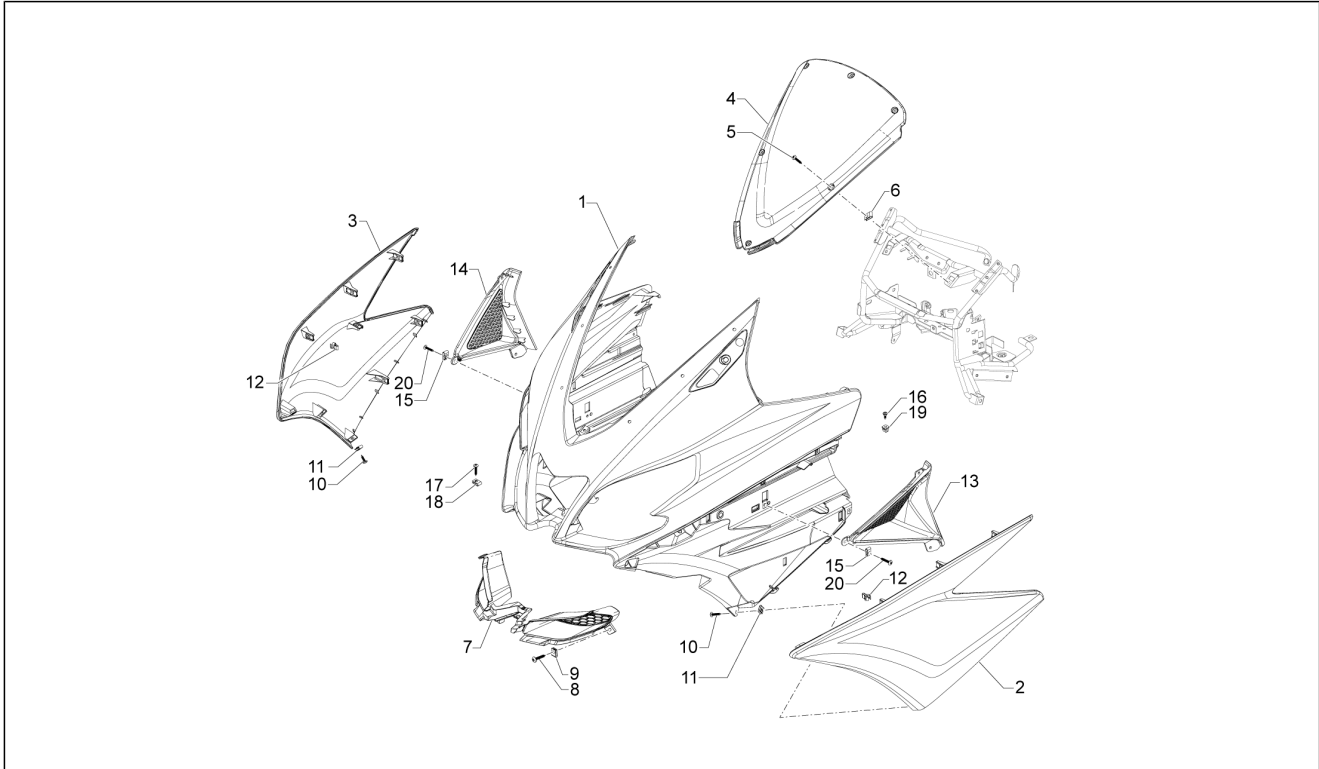
Pos.	Code	Description	Qty	Variants
1	6563895	Frame with u.p.	1	
2	6744985	Front sub-chassis with U.P.	1	
2	6749375	Front sub-chassis with U.P.	1	
3	6744965	Rear sub-chassis with U.P.	1	
4	434541	Screw w/ flange M6x16	3	
5	241936	Self locking nut M6	2	
6	6749255	Footrest support left cross pin	1	
7	434541	Screw w/ flange M6x16	2	
8	6533315	Footrest support with u.p. right cross pin	1	
9	434541	Screw w/ flange M6x16	2	
10	254485	Spring plate M6	3	
11	434541	Screw w/ flange M6x16	5	
12	012533	Notched washer 6,6x11x0	5	
13	013880	Flat washer 16x6,5x1,5	5	
14	674827	Handle support plate	1	
15	414838	screw M6x35	2	
16	434541	Screw w/ flange M6x16	2	
17	006976	Spring washer 12x6,4x0,5	4	
18	674659	Spacer	2	

Group	Frame - Plastic parts - Coachwork
Code	02.25
Description	Stand/s
Service	1



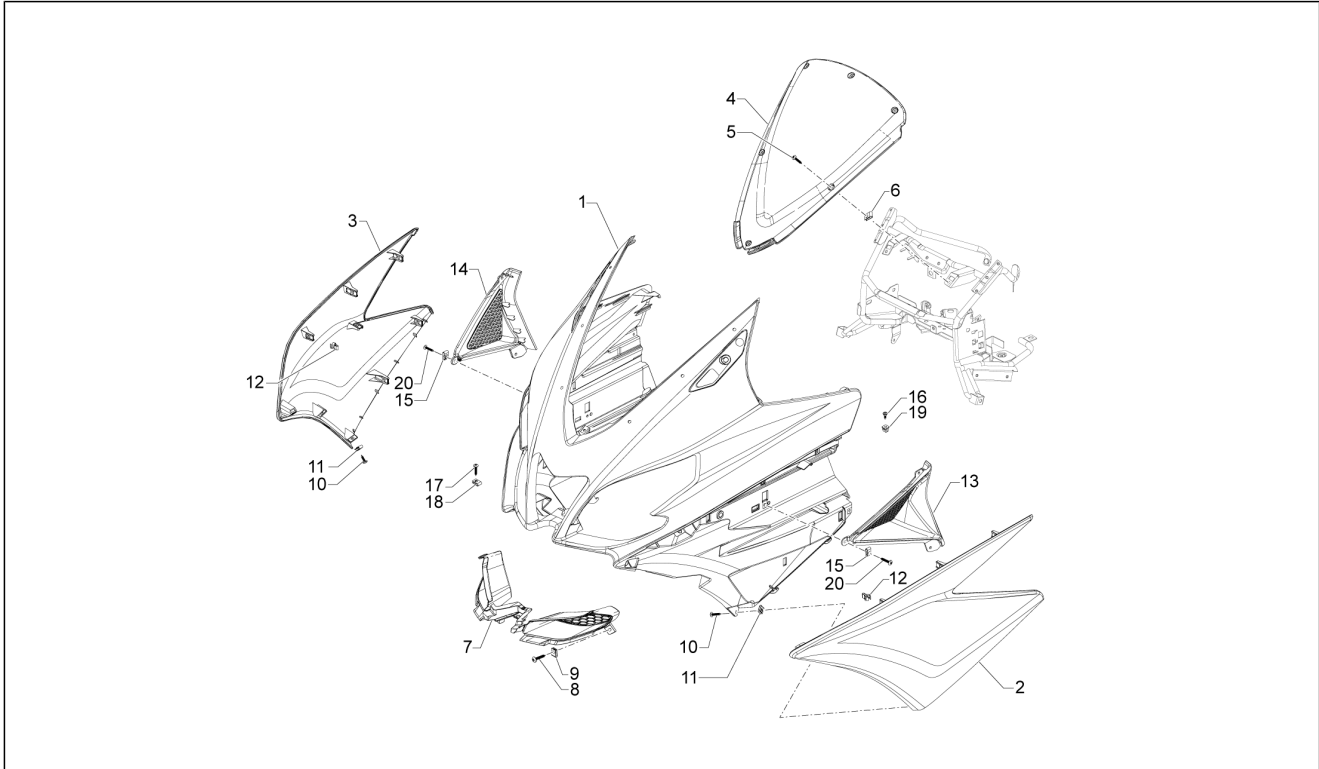
Pos.	Code	Description	Qty	Variants
1	600526	Stand with U.P. (unmovable parts)	1	
2	649821	Hex socket screw	1	
3	003062	Washer	1	
4	599786	Bushing	2	
5	273754	O-ring	6	
6	261319	Nut m12x1,25 h=12,5	1	
7	648979	Plate coupling bilancelle with i.p.	1	
8	597043	screw	1	
9	016626	Plain washer 10,4x18x2	1	
10	002440	Self locking nut M10	1	
11	650145	Spring	1	
12	650144	Spring	1	
13	600443	Side Stand with i.p.	1	
14	647595	Side stand fixing screw.	1	
15	191189	Gasket	2	
16	002440	Self locking nut M10	1	
17	295788	Spring	1	
18	295789	Spring	1	
19	164245	Stop buffer	1	
20	581560	Pad	1	
21	650506	Bushing	2	
22	656139	Flat washer	2	

Group	Frame - Plastic parts - Coachwork
Code	02.26
Description	Front shield
Service	1



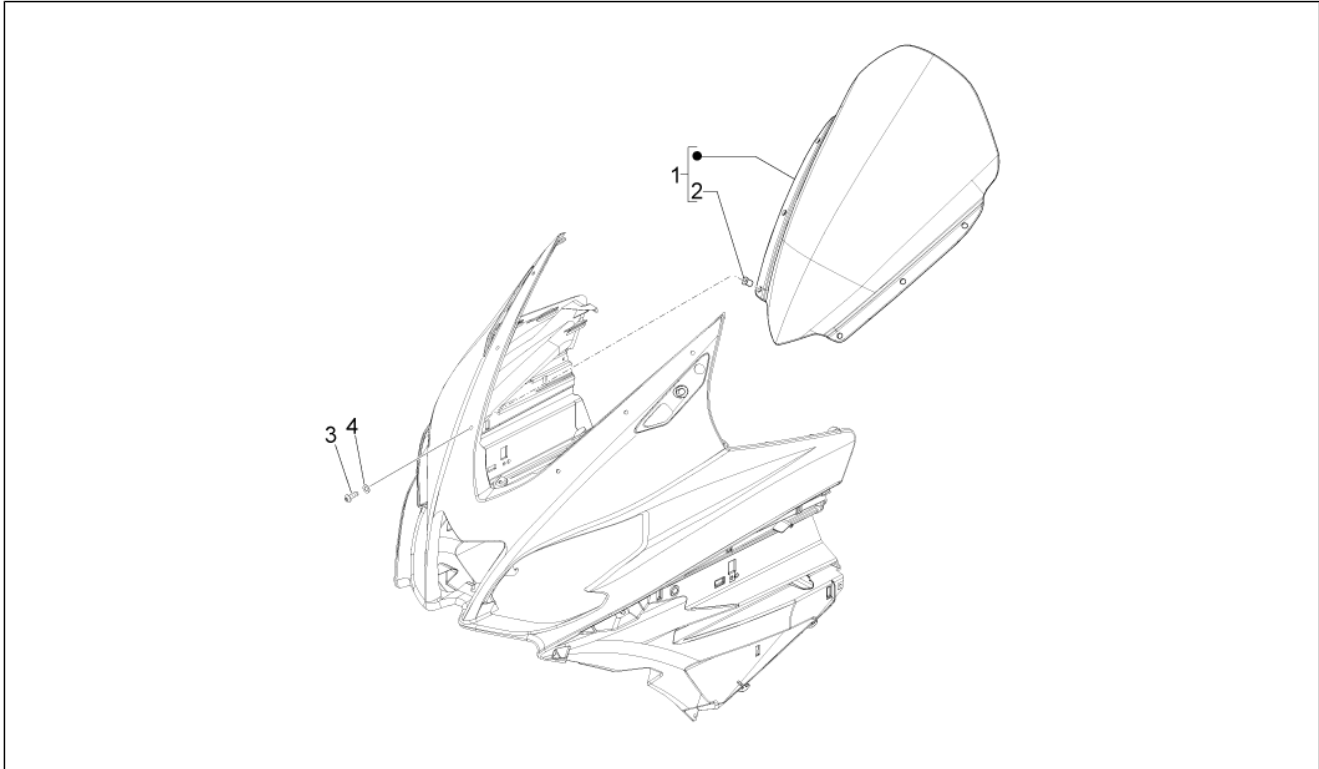
Pos.	Code	Description	Qty	Variants
1	674478	Front shield	1	
1	67447800BM	Front shield	1	Vehicle colour:White[525]
1	67447800H4	Front shield	1	Vehicle colour:Grey[760/B]
1	67447800XN2	Front shield	1	Vehicle colour:BLACK[98/A] Vehicle colour:BLACK[98/A]
2	674481	Left lateral shield	1	
2	67448100NI	Left lateral shield	1	Vehicle colour:BLACK[98/A] Vehicle colour:BLACK[98/A]
2	67448100XN2	Left lateral shield	1	Vehicle colour:White[525] Vehicle colour:White[525] Vehicle colour:Grey[760/B]
3	674482	Right lateral shield	1	
3	67448200NI	Right lateral shield	1	Vehicle colour:BLACK[98/A] Vehicle colour:BLACK[98/A]
3	67448200XN2	Right lateral shield	1	Vehicle colour:White[525] Vehicle colour:White[525] Vehicle colour:Grey[760/B]
4	674479000C	Shield upper cover	1	Vehicle colour:White[525] Vehicle colour:BLACK[98/A] Vehicle colour:White[525] Vehicle colour:BLACK[98/A] Vehicle colour:Grey[760/B]
5	CM178601	Self tapping screw D4.2x16	6	
6	CM017410	Spring plate	6	
7	897690	Headlight closing	1	
8	CM180701	Self tapping screw D4x16	2	
9	CM017410	Spring plate	2	
10	CM178601	Self tapping screw D4.2x16	6	
11	CM017410	Spring plate	6	
12	D9004468091	Gripper clip	12	

Group	Frame - Plastic parts - Coachwork
Code	02.26
Description	Front shield
Service	1



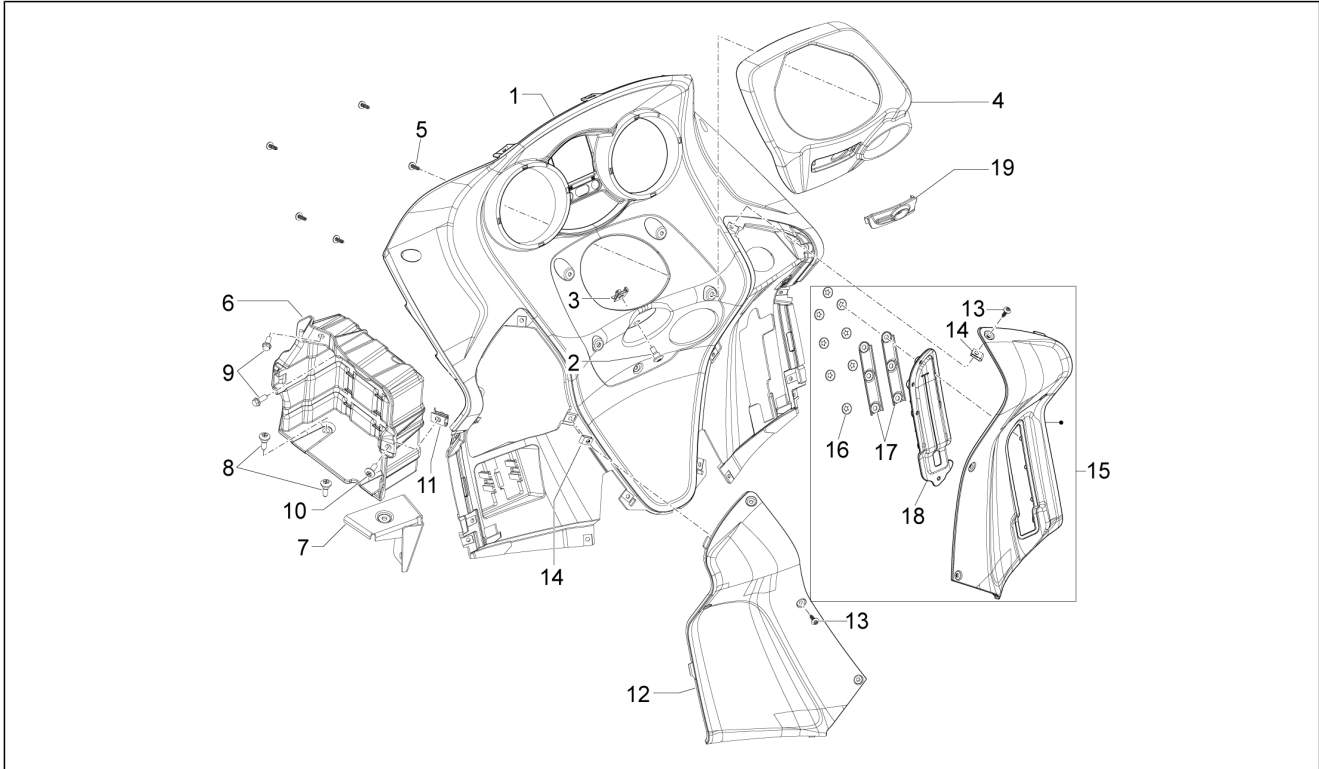
Pos.	Code	Description	Qty	Variants
13	674483000C	LH baffle	1	Vehicle colour:White[525] Vehicle colour:BLACK[98/A] Vehicle colour:White[525] Vehicle colour:BLACK[98/A] Vehicle colour:Grey[760/B]
14	674484000C	RH baffle	1	Vehicle colour:White[525] Vehicle colour:BLACK[98/A] Vehicle colour:BLACK[98/A] Vehicle colour:White[525] Vehicle colour:Grey[760/B]
15	CM017410	Spring plate	6	
16	CM179202	screw	2	
17	CM178601	Self tapping screw D4.2x16	15	
18	CM017410	Spring plate	13	
19	157716	Expansion plug	2	
20	CM178601	Self tapping screw D4.2x16	6	

Group	Frame - Plastic parts - Coachwork
Code	02.27
Description	Windshield - Glass
Service	1



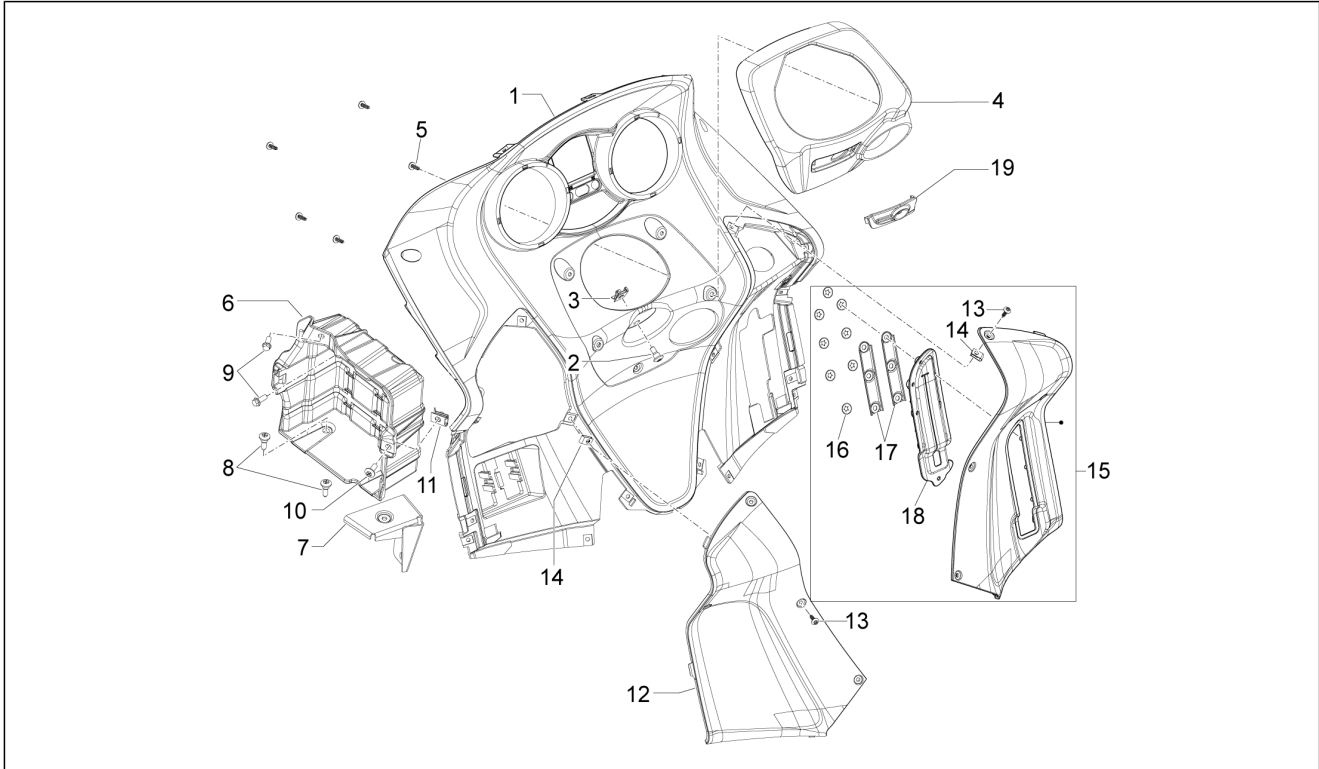
Pos.	Code	Description	Qty	Variants
1	674930	Windscreen	1	
2	581174	Bush	6	
3	880285	Torx Screw	6	
4	674927	Spring washer	6	

Group	Frame - Plastic parts - Coachwork
Code	02.30
Description	Front glove-box - Knee-guard panel
Service	1



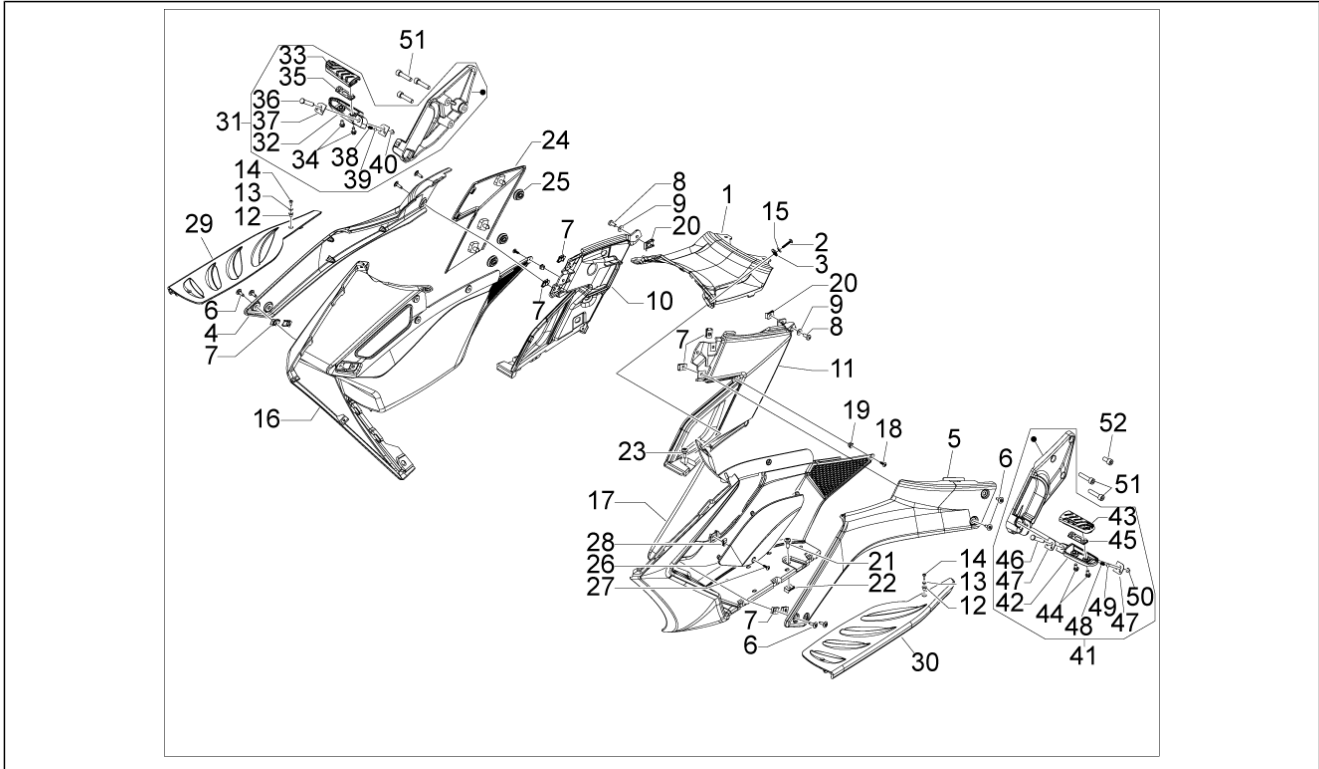
Pos.	Code	Description	Qty	Variants
1	656516	Counter shield	1	
1	65651600NI	Counter shield	1	Vehicle colour:White[525] Vehicle colour:BLACK[98/A] Vehicle colour:BLACK[98/A] Vehicle colour:White[525] Vehicle colour:Grey[760/B]
2	CM179202	screw	1	
3	254485	Spring plate M6	1	
4	653144	Leg shield back plate central element	1	
4	65314400BM	Leg shield back plate central element	1	Vehicle colour:White[525] Vehicle colour:White[525]
4	65314400H4	Leg shield back plate central element	1	Vehicle colour:Grey[760/B]
4	65314400XN2	Leg shield back plate central element	1	Vehicle colour:BLACK[98/A] Vehicle colour:BLACK[98/A]
5	270793	TBCIC Screw 3,8x16	5	
6	652917	Battery box	1	
7	652908	Sub-frame attachment left bracket	1	
8	CM179201	Metric screw M6x22	2	
9	434541	Screw w/ flange M6x16	2	
10	CM179301	Screw M6x16	1	
11	254485	Spring plate M6	2	
12	656194000C	Battery inspection flap	1	Vehicle colour:White[525] Vehicle colour:BLACK[98/A] Vehicle colour:White[525] Vehicle colour:BLACK[98/A] Vehicle colour:Grey[760/B]
13	CM178601	Self tapping screw D4.2x16	8	
14	CM017410	Spring plate	8	
15	656196000C	Coolant insp. door	1	Vehicle colour:White[525] Vehicle colour:BLACK[98/A] Vehicle colour:BLACK[98/A]

Group	Frame - Plastic parts - Coachwork
Code	02.30
Description	Front glove-box - Knee-guard panel
Service	1



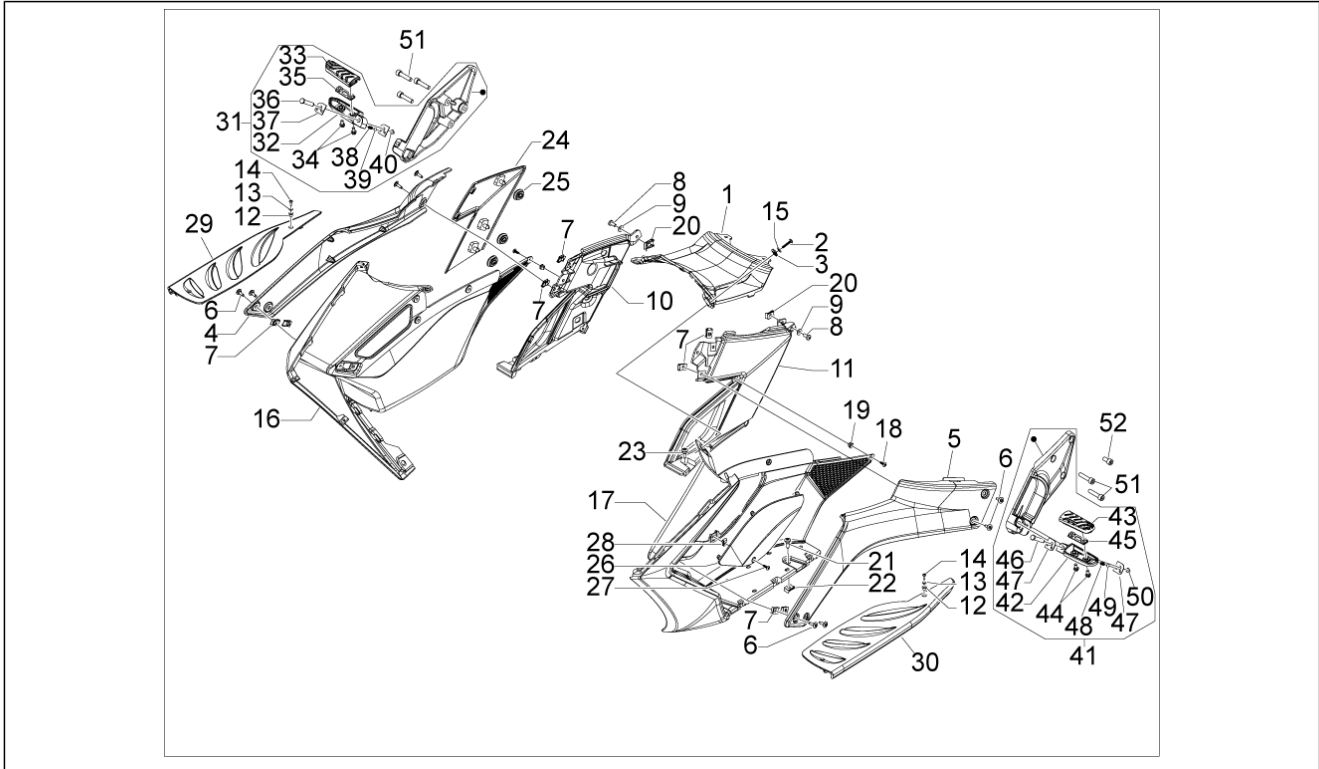
Pos.	Code	Description	Qty	Variants
				Vehicle colour:White[525] Vehicle colour:Grey[760/B]
16	230359	Spring plate	8	
17	654813	Stop plate	2	
18	654808	Parking brake lever gasket	1	
19	656136	Leg shield back plate small cover	1	

Group	Frame - Plastic parts - Coachwork
Code	02.31
Description	Central cover - Footrests
Service	1



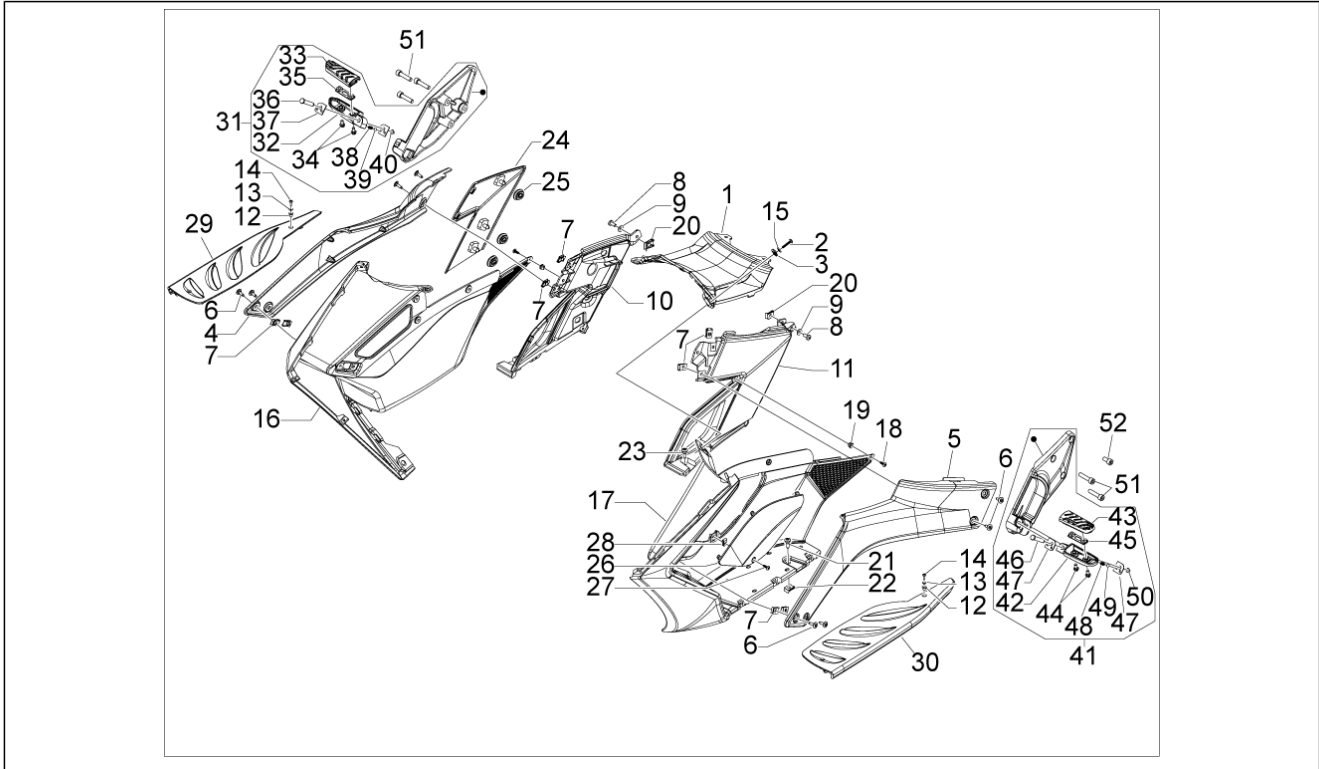
Pos.	Code	Description	Qty	Variants
1	656197000C	Tunnel central cover	1	Vehicle colour:White[525] Vehicle colour:BLACK[98/A] Vehicle colour:BLACK[98/A] Vehicle colour:White[525] Vehicle colour:Grey[760/B]
2	CM178610	Self-tapping screw	2	
3	CM017410	Spring plate	2	
4	653151	Tunnel right lateral cover	1	
4	65315100H6	Tunnel right lateral cover	1	Vehicle colour:White[525] Vehicle colour:BLACK[98/A] Vehicle colour:White[525] Vehicle colour:BLACK[98/A] Vehicle colour:Grey[760/B]
5	653150	Tunnel left lateral cover	1	
5	65315000H6	Tunnel left lateral cover	1	Vehicle colour:White[525] Vehicle colour:BLACK[98/A] Vehicle colour:BLACK[98/A] Vehicle colour:White[525] Vehicle colour:Grey[760/B]
6	AP8152302	Screw w/ flange M5x12	8	
7	248419	Spring plate m5	8	
8	297498	Self tapping screw M3,5x13	6	
9	013963	Washer	6	
10	653148	Right lateral protection	1	
10	65314800H6	Right lateral protection	1	Vehicle colour:White[525] Vehicle colour:BLACK[98/A] Vehicle colour:BLACK[98/A] Vehicle colour:White[525] Vehicle colour:Grey[760/B]
11	653147	Left lateral protection	1	
11	65314700H6	Left lateral protection	1	Vehicle colour:White[525] Vehicle colour:BLACK[98/A] Vehicle colour:BLACK[98/A]

Group	Frame - Plastic parts - Coachwork
Code	02.31
Description	Central cover - Footrests
Service	1



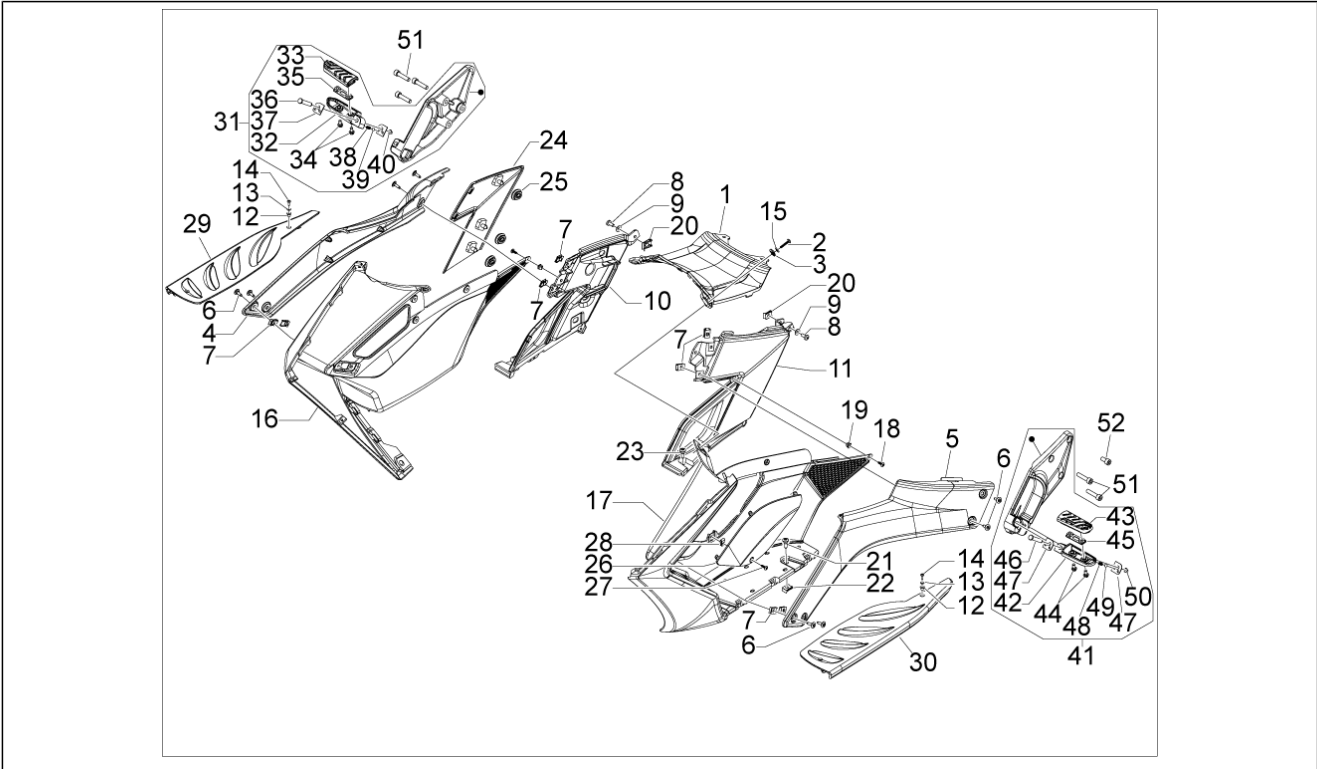
Pos.	Code	Description	Qty	Variants
				Vehicle colour:White[525] Vehicle colour:Grey[760/B]
12	655783	Spacer	4	
13	013777	Washer 6.4x13x1.5	4	
14	CM179303	Metric screw M6x30	4	
15	016670	Washer 4,5x12x1	2	
16	67482000C	RH footrest	1	Vehicle colour:White[525] Vehicle colour:BLACK[98/A] Vehicle colour:BLACK[98/A] Vehicle colour:White[525] Vehicle colour:Grey[760/B]
17	674821000C	LH footrest	1	Vehicle colour:White[525] Vehicle colour:BLACK[98/A] Vehicle colour:BLACK[98/A] Vehicle colour:White[525] Vehicle colour:Grey[760/B]
18	CM178604	Self tapping screw	4	
19	CM179301	Screw M6x16	2	
20	CM017410	Spring plate	2	
21	CM179202	screw	2	
22	254485	Spring plate M6	4	
23	CM179301	Screw M6x16	2	
24	653337	Insp. door	1	
24	65333700H6	Oil inspection hatch	1	Vehicle colour:White[525] Vehicle colour:BLACK[98/A] Vehicle colour:BLACK[98/A] Vehicle colour:White[525] Vehicle colour:Grey[760/B]
25	463195	Elastic drift	3	
26	653139000C	Spark plug insp. door	1	Vehicle colour:White[525] Vehicle colour:BLACK[98/A] Vehicle colour:BLACK[98/A]

Group	Frame - Plastic parts - Coachwork
Code	02.31
Description	Central cover - Footrests
Service	1



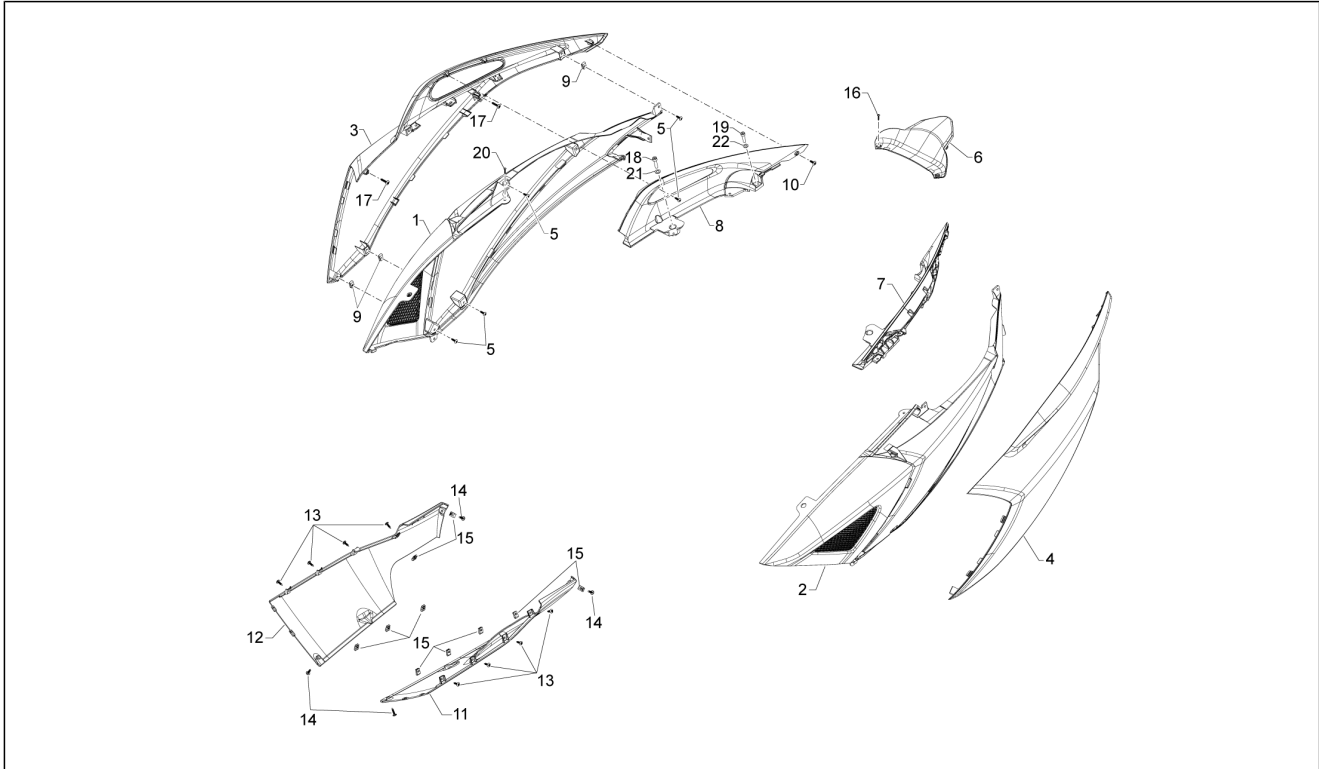
Pos.	Code	Description	Qty	Variants
				Vehicle colour:White[525] Vehicle colour:Grey[760/B]
27	CM178601	Self tapping screw D4.2x16	1	
28	CM017410	Spring plate	1	
29	655787	Rh mat	1	
30	655786	Lh mat	1	
31	656428	Complete right passenger footrest	1	
32	656429000C	RH footpad	1	Vehicle colour:White[525] Vehicle colour:BLACK[98/A] Vehicle colour:BLACK[98/A] Vehicle colour:White[525] Vehicle colour:Grey[760/B]
33	GU32443210	Support rubber part	1	
34	656510	Screw w/ flange	2	
35	GU32441210	Plate	1	
36	656511	Footrest pin	1	
37	AP8134451	Footrest plate	2	
38	AP8121133	Coil compress. spring	1	
39	002139	Ball	1	
40	006408	Safety washer	1	
41	656507	Complete left passenger footrest	1	
42	656509000C	LH footrest	1	Vehicle colour:White[525] Vehicle colour:BLACK[98/A] Vehicle colour:BLACK[98/A] Vehicle colour:White[525] Vehicle colour:Grey[760/B]
43	GU32443211	Support rubber part	1	
44	656510	Screw w/ flange	2	
45	GU32441210	Plate	1	
46	656511	Footrest pin	1	

Group	Frame - Plastic parts - Coachwork
Code	02.31
Description	Central cover - Footrests
Service	1



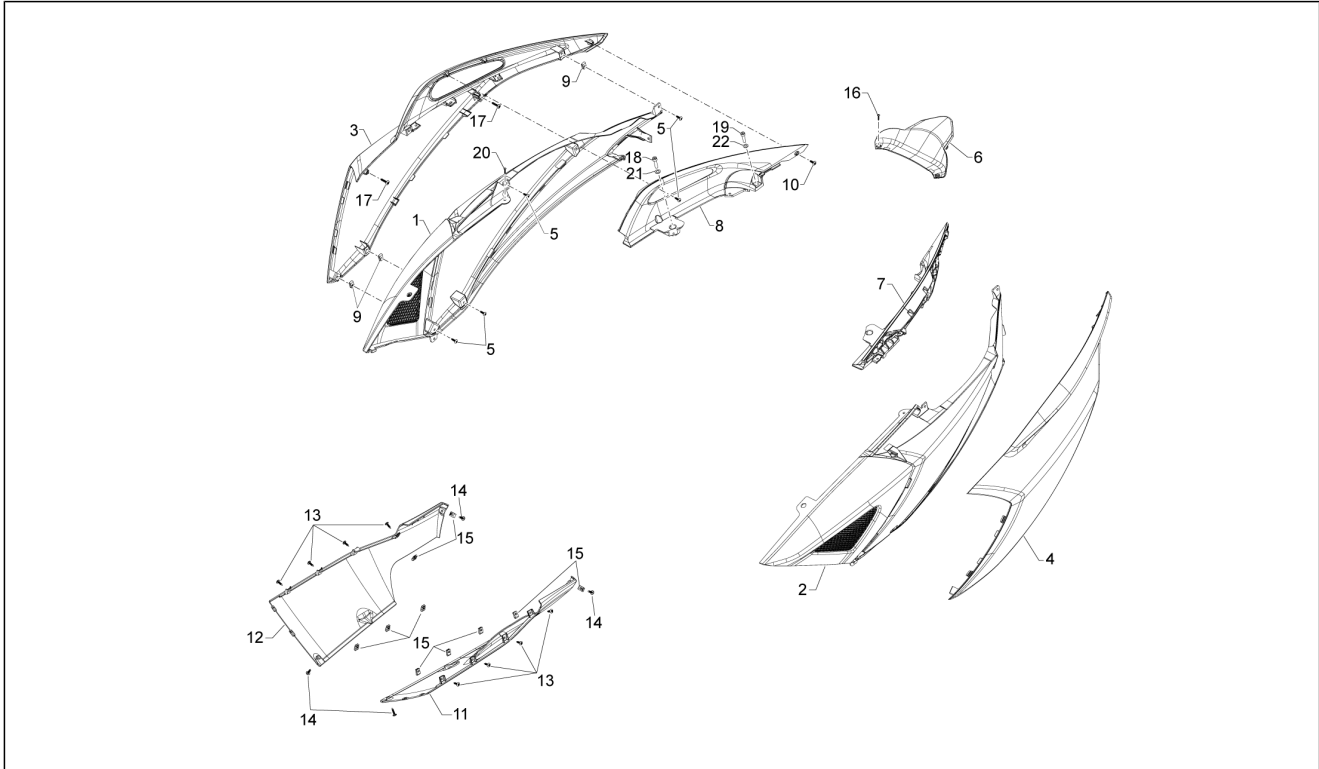
Pos.	Code	Description	Qty	Variants
47	AP8134451	Footrest plate	2	
48	AP8121133	Coil compress. spring	1	
49	002139	Ball	1	
50	006408	Safety washer	1	
51	654484	Hex socket screw	5	
52	654965	Screw	1	

Group	Frame - Plastic parts - Coachwork
Code	02.32
Description	Side cover - Spoiler
Service	1



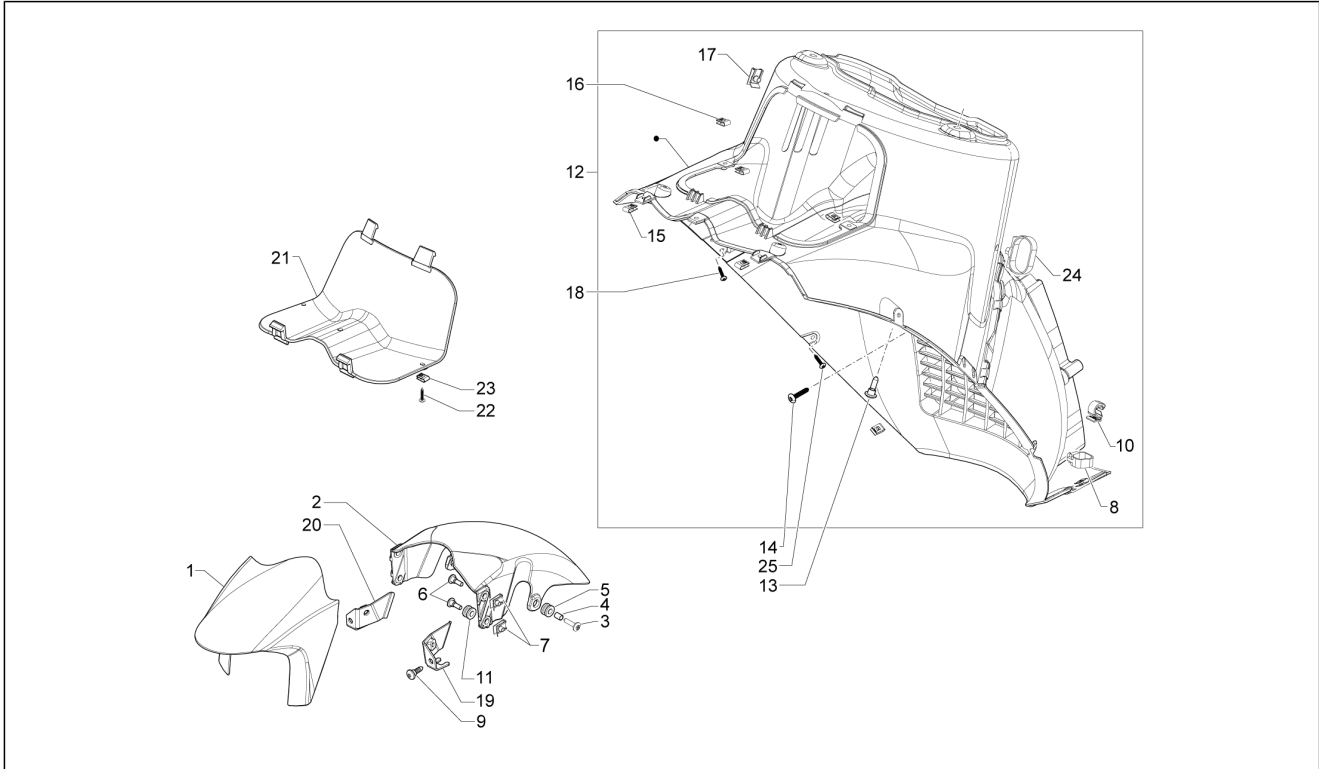
Pos.	Code	Description	Qty	Variants
1	674464000C	Right internal side	1	Vehicle colour:White[525] Vehicle colour:BLACK[98/A] Vehicle colour:White[525] Vehicle colour:BLACK[98/A] Vehicle colour:Grey[760/B]
2	674463000C	Left internal side	1	Vehicle colour:White[525] Vehicle colour:BLACK[98/A] Vehicle colour:White[525] Vehicle colour:BLACK[98/A] Vehicle colour:Grey[760/B]
3	674468	Right external side	1	
3	67446800BM	Right external side	1	Vehicle colour:White[525] Vehicle colour:White[525]
3	67446800H4	Right external side	1	Vehicle colour:Grey[760/B]
3	67446800XN2	Right external side	1	Vehicle colour:BLACK[98/A] Vehicle colour:BLACK[98/A]
4	674467	Left external side	1	
4	67446700BM	Left external side	1	Vehicle colour:White[525] Vehicle colour:White[525]
4	67446700H4	Left external side	1	Vehicle colour:Grey[760/B]
4	67446700XN2	Left external side	1	Vehicle colour:BLACK[98/A] Vehicle colour:BLACK[98/A]
5	CM178601	Self tapping screw D4.2x16	16	
6	674470000C	Fairing closure	1	Vehicle colour:White[525] Vehicle colour:BLACK[98/A] Vehicle colour:White[525] Vehicle colour:BLACK[98/A] Vehicle colour:Grey[760/B]
7	674489	Left passenger handle	1	
8	674488	Right passenger handle	1	
9	CM017410	Spring plate	16	
10	CM178603	Self tapping screw D4.2x13	2	

Group	Frame - Plastic parts - Coachwork
Code	02.32
Description	Side cover - Spoiler
Service	1



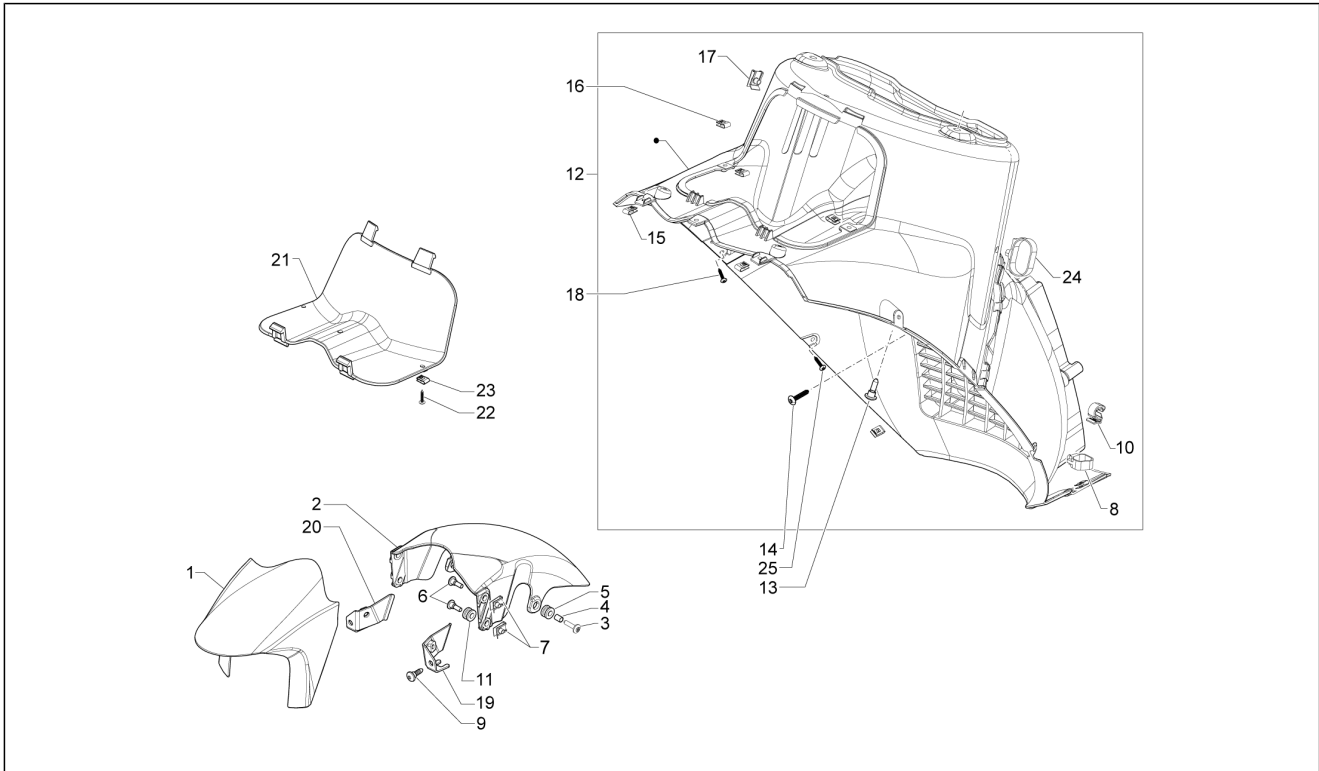
Pos.	Code	Description	Qty	Variants
11	653135	Left spoiler	1	
11	65313500NI	Left spoiler	1	Vehicle colour:White[525] Vehicle colour:BLACK[98/A] Vehicle colour:White[525] Vehicle colour:BLACK[98/A] Vehicle colour:Grey[760/B]
12	653136	Right spoiler	1	
12	65313600NI	Right spoiler	1	Vehicle colour:White[525] Vehicle colour:BLACK[98/A] Vehicle colour:BLACK[98/A] Vehicle colour:White[525] Vehicle colour:Grey[760/B]
13	CM178601	Self tapping screw D4.2x16	8	
14	CM178605	Self tapping screw	4	
15	CM017410	Spring plate	10	
16	CM178604	Self tapping screw	2	
17	CM180701	Self tapping screw D4x16	10	
18	018553	screw M6x25	4	
19	709674	Hex socket screw M6x20	2	
20	CM178604	Self tapping screw	2	
21	003056	Flat washer 6,4x12x1	4	
22	013880	Flat washer 16x6,5x1,5	2	

Group	Frame - Plastic parts - Coachwork
Code	02.33
Description	Wheel huosing - Mudguard
Service	1



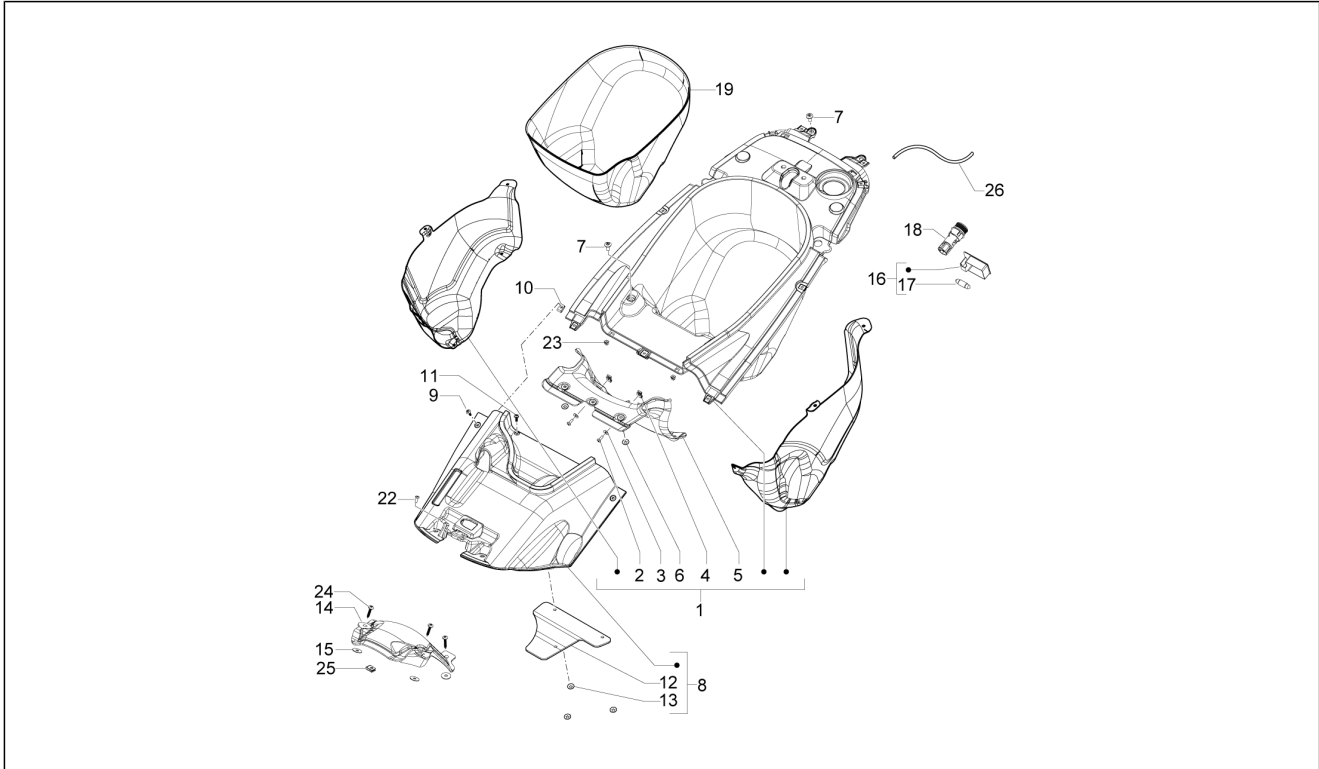
Pos.	Code	Description	Qty	Variants
1	674476	Front mudguard (ant.)	1	
1	67447600XN2	Front mudguard (ant.)	1	Vehicle colour:White[525] Vehicle colour:BLACK[98/A] Vehicle colour:BLACK[98/A] Vehicle colour:White[525]
2	674477000C	Front mudguard (post.)	1	Vehicle colour:White[525] Vehicle colour:BLACK[98/A] Vehicle colour:White[525] Vehicle colour:BLACK[98/A]
3	CM179302	Metric screw M6x22	2	
4	598288	Spacer	2	
5	217163	Pad	2	
6	CM179202	screw	4	
7	254485	Spring plate M6	4	
8	CM006912	Non return spring	1	
9	CM179201	Metric screw M6x22	2	
10	CM013201	Spring	1	
11	217163	Pad	2	
12	674473	Front wheel housing	1	
13	CM179201	Metric screw M6x22	2	
14	CM179304	screw	2	
15	CM017410	Spring plate	7	
16	CM017410	Spring plate	3	
17	254485	Spring plate M6	1	
18	CM178601	Self tapping screw D4.2x16	5	
19	674829	Left U/bolt	1	
20	674828	Right U/bolt	1	
21	674825	Housing closing	1	
22	CM178601	Self tapping screw D4.2x16	4	

Group	Frame - Plastic parts - Coachwork
Code	02.33
Description	Wheel huosing - Mudguard
Service	1



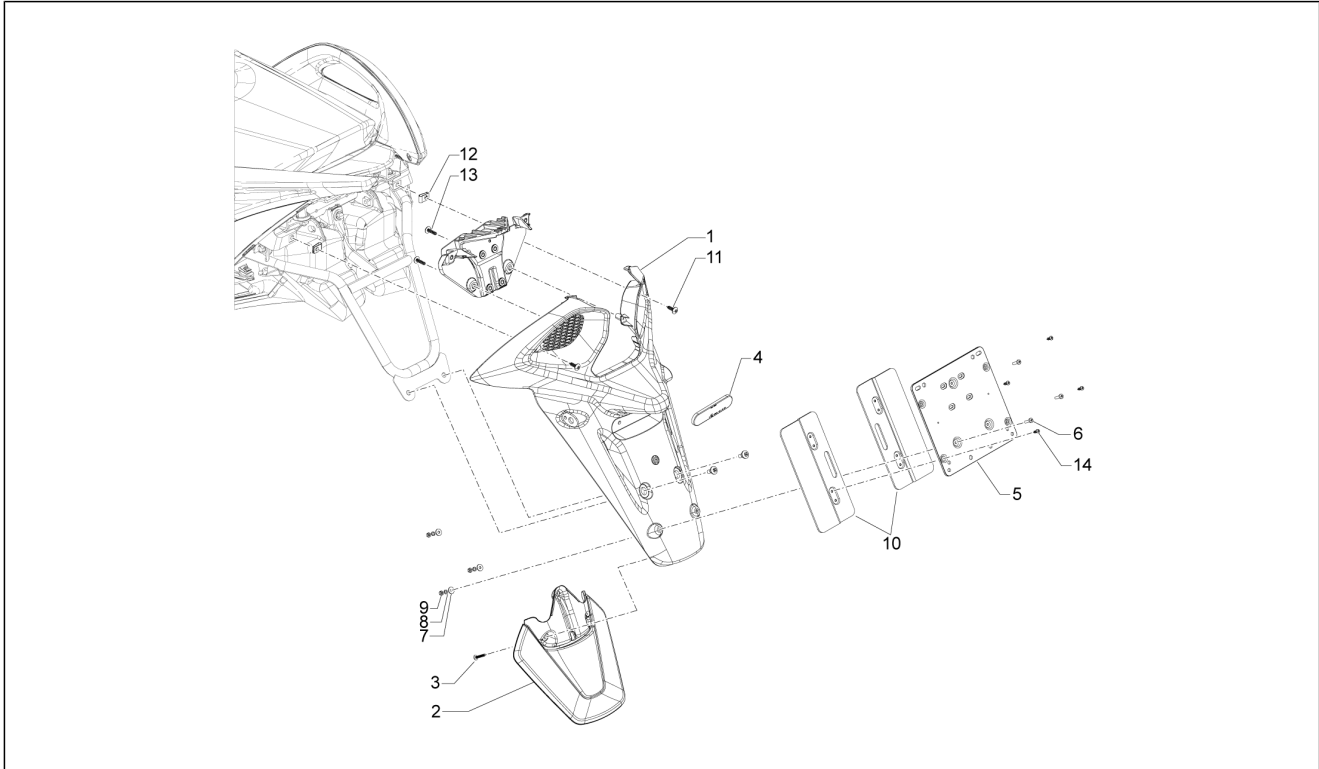
Pos.	Code	Description	Qty	Variants
23	CM017410	Spring plate	2	
24	CM006902	Non return spring	1	
25	CM178604	Self tapping screw	2	

Group	Frame - Plastic parts - Coachwork
Code	02.34
Description	Helmet huosing - Undersaddle
Service	1



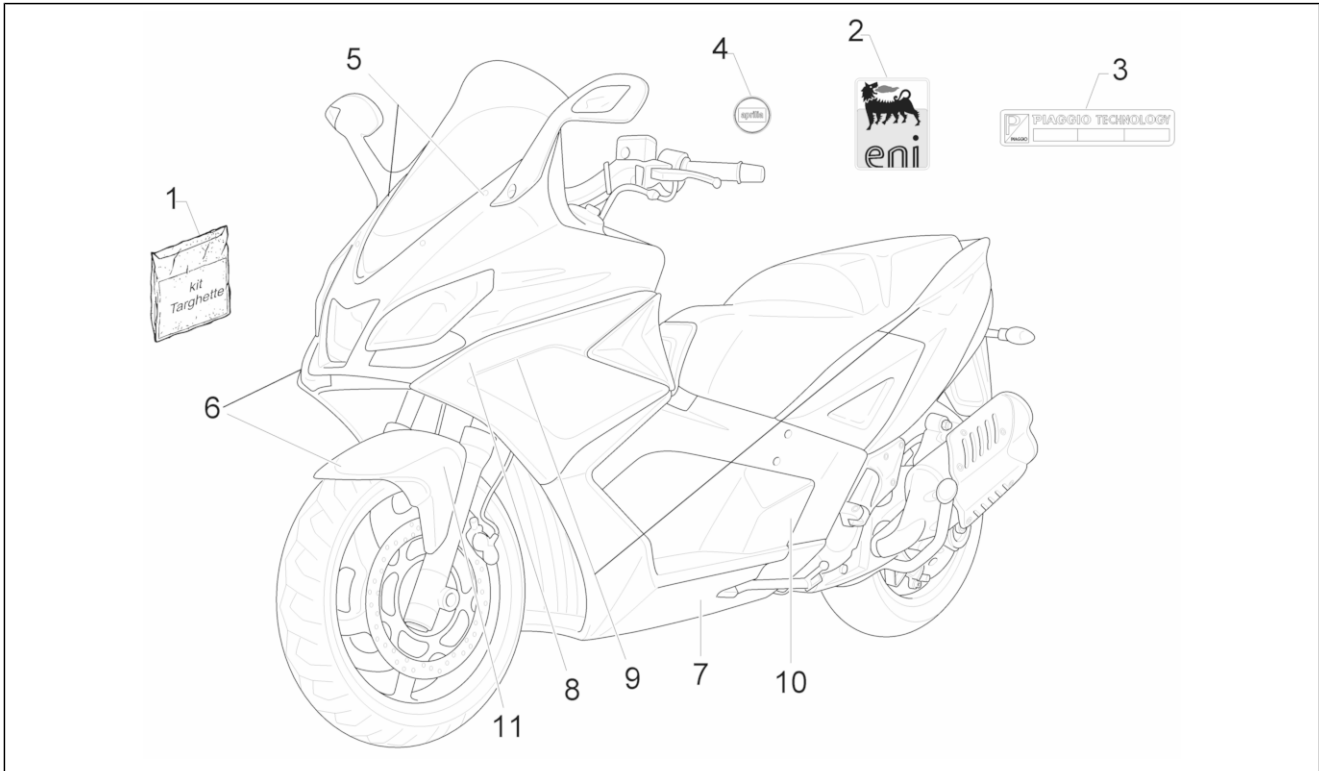
Pos.	Code	Description	Qty	Variants
1	656883	Helmet holder assembly	1	
2	015996	Screw M4x12	2	
3	016670	Washer 4,5x12x1	2	
4	959263	Scheibe	2	
5	656048	Heat shield	1	
6	230359	Spring plate	10	
7	CM179301	Screw M6x16	4	
8	656421	Engine access cover	1	
9	CM178604	Self tapping screw	3	
10	CM017410	Spring plate	3	
11	CM178603	Self tapping screw D4.2x13	2	
12	656420	Heat shield	1	
13	230359	Spring plate	3	
14	654810	Heat shield	1	
15	297029	Washer	3	
16	293154	Ceiling bowl	1	
17	071633	Torpedo shaped lamp 12V-5W	1	
18	294770	LV socket 12V	1	
19	656311	Mat	1	
22	CM179301	Screw M6x16	2	
23	199190	Expansion plug	2	
24	CM179301	Screw M6x16	3	
25	254485	Spring plate M6	1	
26	CM001432	Tank breather pipe Ø5x10 L.1060	1	

Group	Frame - Plastic parts - Coachwork
Code	02.37
Description	Rear cover - Splash guard
Service	1



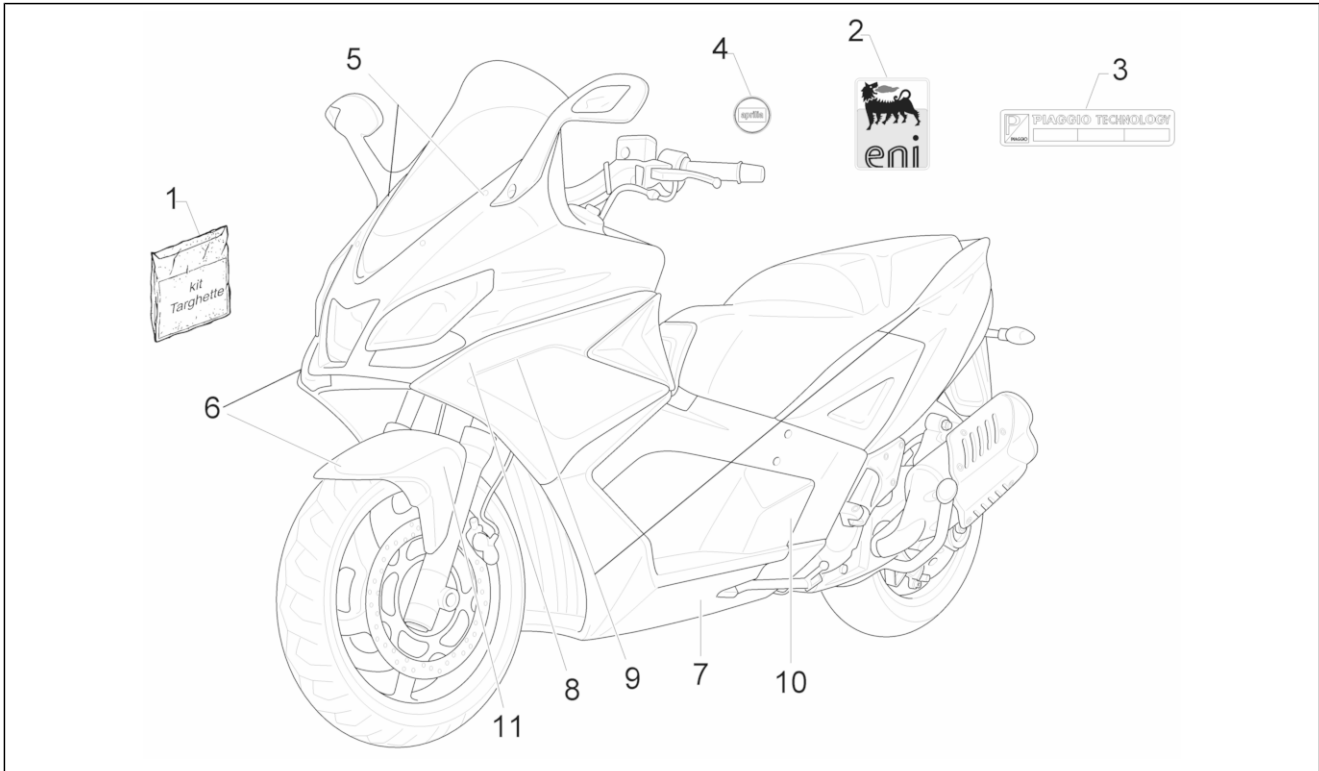
Pos.	Code	Description	Qty	Variants
1	674469000C	Rear splash guard	1	Vehicle colour:White[525] Vehicle colour:BLACK[98/A] Vehicle colour:White[525] Vehicle colour:BLACK[98/A] Vehicle colour:Grey[760/B]
2	674800000C	Splash guard extension	1	Vehicle colour:White[525] Vehicle colour:BLACK[98/A] Vehicle colour:BLACK[98/A] Vehicle colour:White[525] Vehicle colour:Grey[760/B]
3	CM178601	Self tapping screw D4.2x16	3	
4	582058	Rear retroreflector	1	
5	584884	Number plate holder	1	
6	709718	Hex socket screw	3	
7	016404	Flat washer 4,2x7,6x0,9	3	
8	013763	Flat washer 4,2x12x1	3	
9	020104	Nut M4	3	
10	584877	Number-plate extension	2	
11	CM178601	Self tapping screw D4.2x16	4	
12	CM017410	Spring plate	2	
13	CM179202	screw	3	
14	268596	Self tapping screw D4x13	4	

Group	Frame - Plastic parts - Coachwork
Code	02.38
Description	Plates - Emblems
Service	1



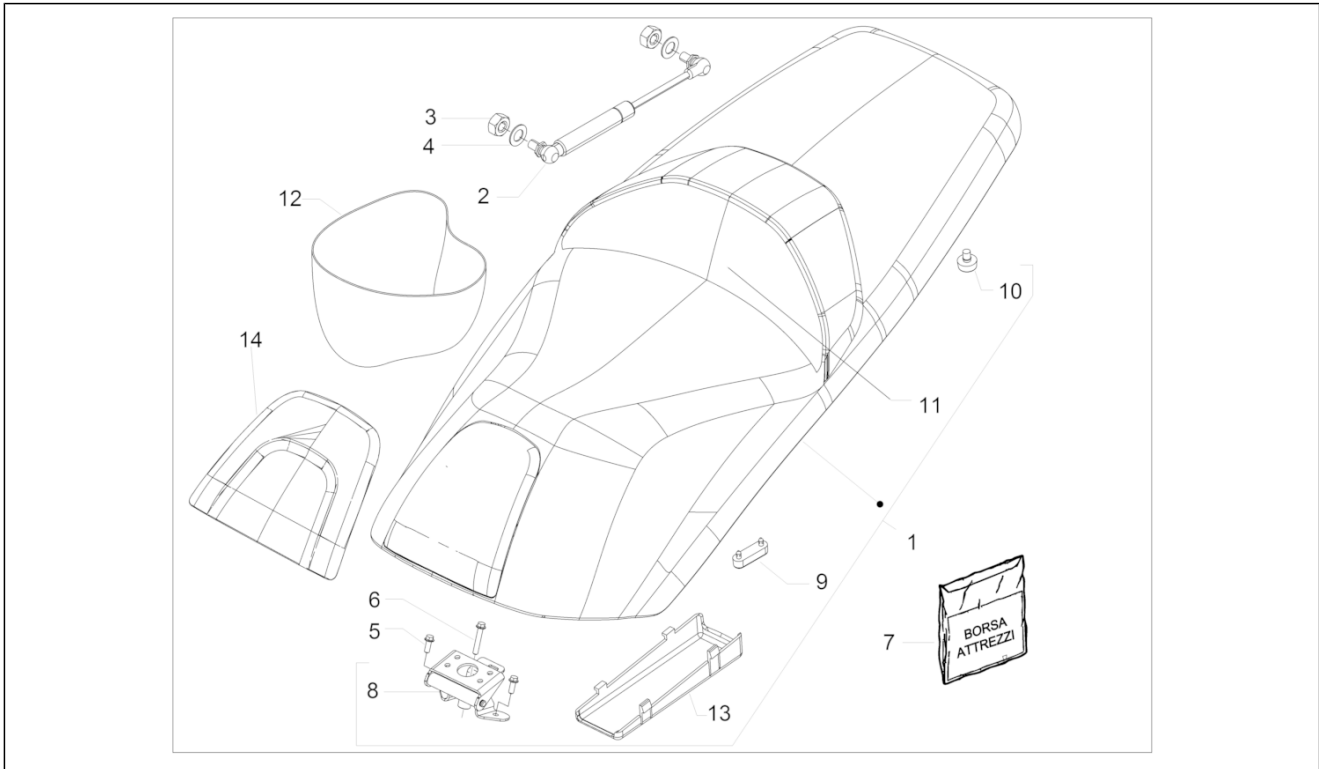
Pos.	Code	Description	Qty	Variants
1	67532900A1	Trimmings kit	1	Vehicle colour:BLACK[98/A]
1	67532900A2	Trimmings kit	1	Vehicle colour:White[525]
2	895839	""Eni"" label"	2	
3	672200	Name plate "Piaggio Technology"	1	
4	673983	"Aprilia" dataplate	1	
5	CM18270700A1	Name plate "ATC SRV"	1	Vehicle colour:BLACK[98/A]
5	CM18270700A2	Name plate "ATC SRV"	1	Vehicle colour:White[525]
5	CM18270700A3	Name plate "ATC SRV"	1	Vehicle colour:Grey[760/B]
6	CM18270300A1	***STICKER	1	Vehicle colour:BLACK[98/A] Vehicle colour:BLACK[98/A]
6	CM18270300A2	***STICKER	1	Vehicle colour:White[525] Vehicle colour:White[525]
6	CM18270300A3	Mudguard front flag label "aprilia"	1	Vehicle colour:Grey[760/B]
7	CM18270100A1	***STICKER	1	Vehicle colour:BLACK[98/A] Vehicle colour:BLACK[98/A]
7	CM18270100A2	***STICKER	1	Vehicle colour:White[525] Vehicle colour:White[525]
7	CM18270100A3	Name plate "aprilia"	1	Vehicle colour:Grey[760/B]
8	CM18270200A1	***STICKER	1	Vehicle colour:BLACK[98/A] Vehicle colour:BLACK[98/A]
8	CM18270200A2	***STICKER	1	Vehicle colour:White[525] Vehicle colour:White[525]
8	CM18270200A3	Left/right side fairing band label	1	Vehicle colour:Grey[760/B]
9	CM18270500A1	***STICKER	1	Vehicle colour:BLACK[98/A] Vehicle colour:BLACK[98/A]
9	CM18270500A2	***STICKER	1	Vehicle colour:White[525] Vehicle colour:White[525]
9	CM18270500A3	Left/right tail fairing label "SRV850"	1	Vehicle colour:Grey[760/B]
10	CM18270400A1	Plate set	1	Vehicle colour:BLACK[98/A] Vehicle colour:BLACK[98/A]

Group	Frame - Plastic parts - Coachwork
Code	02.38
Description	Plates - Emblems
Service	1



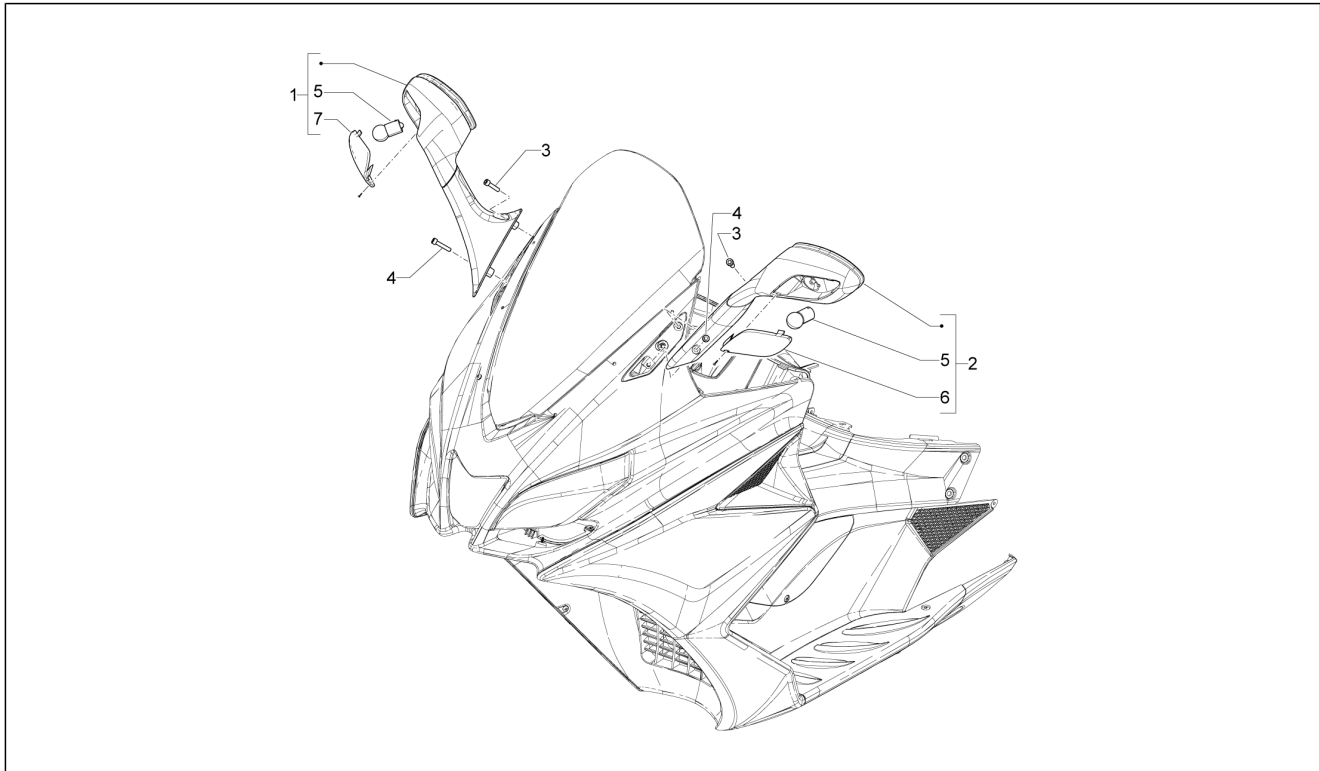
Pos.	Code	Description	Qty	Variants
10	CM18270400A2	Name plate dx-sx	1	Vehicle colour:White[525] Vehicle colour:White[525] Vehicle colour:White[525]
10	CM18270400A3	Plate set	2	Vehicle colour:Grey[760/B]
11	CM18270600A1	"ABS" plate	2	Vehicle colour:BLACK[98/A]
11	CM18270600A2	"ABS" plate	2	Vehicle colour:White[525]
11	CM18270600A3	Name plate "ABS"	2	Vehicle colour:Grey[760/B]

Group	Frame - Plastic parts - Coachwork
Code	02.39
Description	Saddle/seats - Tool roll
Service	1



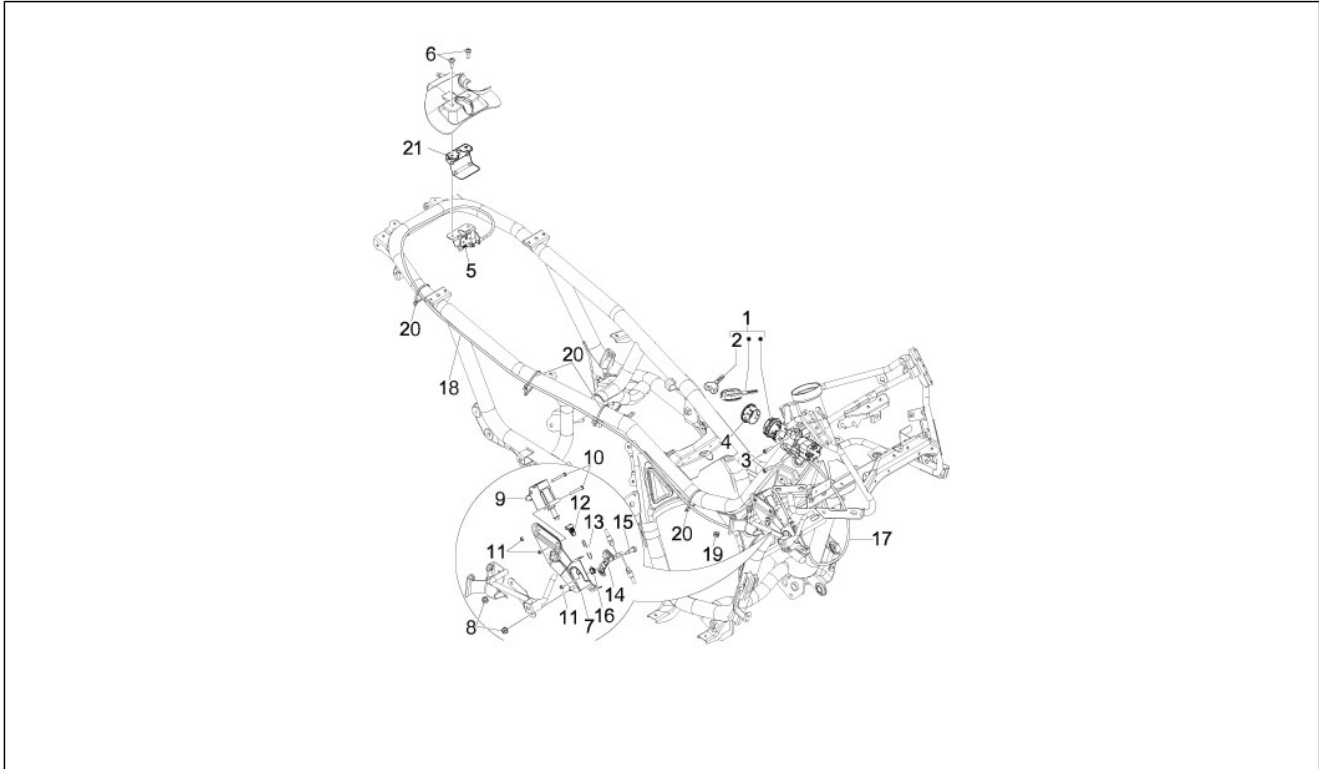
Pos.	Code	Description	Qty	Variants
1	674472	Saddle assembly	1	
2	656176	Spring	1	
3	020108	Nut M8x6,5	2	
4	012538	Washer	2	
5	434541	Screw w/ flange M6x16	2	
6	414838	screw M6x35	1	
7	665578	Tool set, standard I/jack	1	
8	656423	Saddle hinge	1	
9	296456	Pad	3	
10	577492	Pad	2	
11	674934	Backrest	1	
12	621498	Saddle guard cooling hood	1	
13	656388	Tool bag cover	1	
14	656422	Coperchio anteriore	1	

Group	Frame - Plastic parts - Coachwork
Code	02.45
Description	Driving mirror/s
Service	1



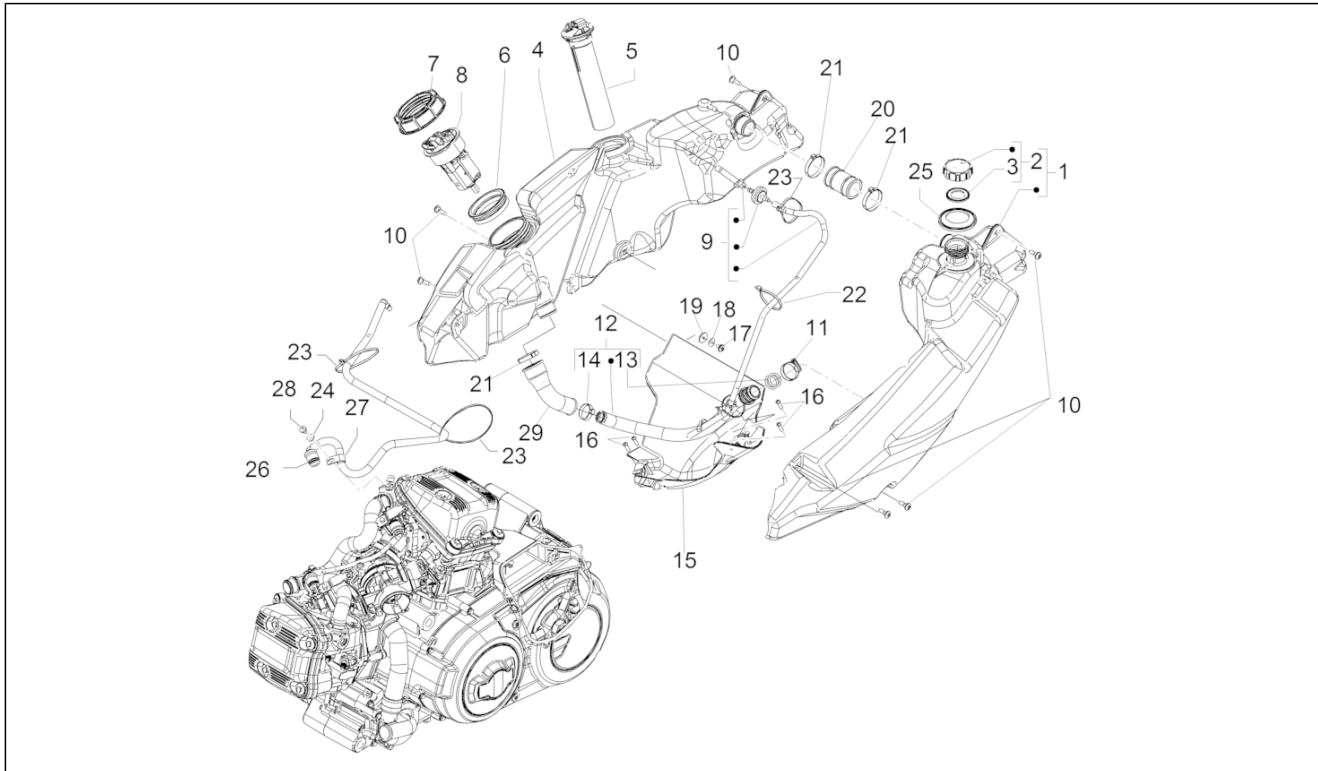
Pos.	Code	Description	Qty	Variants
1	CM182203	RH rearview mirror	1	
1	CM183203	***RIGHT REAR-VIEW MIRROR	1	
2	CM182202	LH rearview mirror	1	
2	CM183202	***LEFT REAR-VIEW MIRROR	1	
3	018553	screw M6x25	2	
4	122637	Low head socket screw M6x30	2	
5	584332	Lamp 12V-10W	1	
6	675889	***LH WINK-LENS	0	
6	AP8127700	LH transparent lens	1	
7	675888	***RH WINK-LENS	0	
7	AP8127699	RH transparent lens	1	

Group	Frame - Plastic parts - Coachwork
Code	02.46
Description	Locks
Service	1



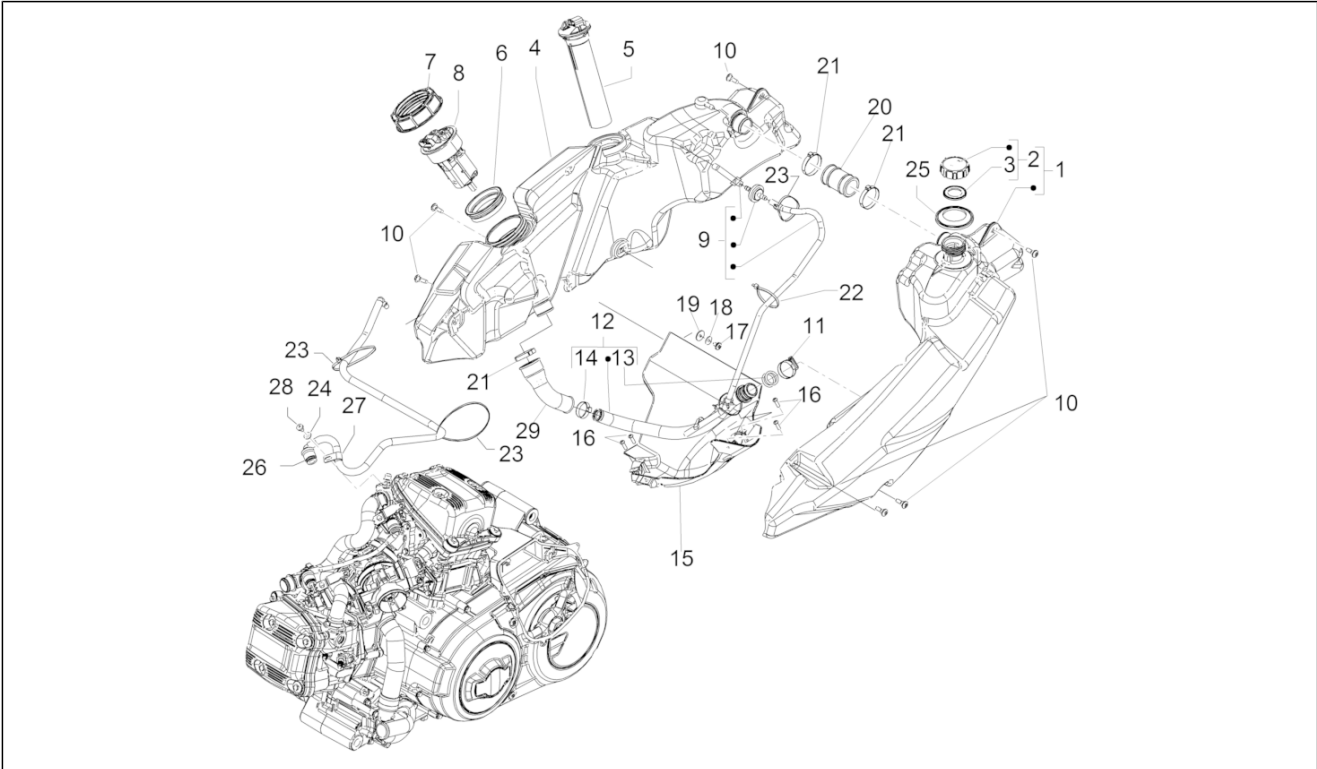
Pos.	Code	Description	Qty	Variants
1	674823	Keys and switch kit	1	
2	674824	Key blank drawing	1	
3	709674	Hex socket screw M6x20	2	
4	654191	Complete tightening cover	1	
5	CM023708	Saddle lock	1	
6	CM179202	screw	2	
7	577471	plate	1	
8	241936	Self locking nut M6	2	
9	582990	Solenoid valve	1	
10	584121	Self tapping screw	2	
11	577620	Self locking nut	3	
12	577128	Joint	1	
13	620415	Spring	1	
14	577129	Lever	1	
15	299972	Special screw	1	
16	577131	Spring	1	
17	CM012837	Saddle cable	1	
18	CM012838	Saddle cable	1	
19	231590	Elastic spring	1	
20	145298	Lock-strap L=180mm	3	
21	656028	Plate	1	

Group	Frame - Plastic parts - Coachwork
Code	02.47
Description	Fuel tank
Service	1



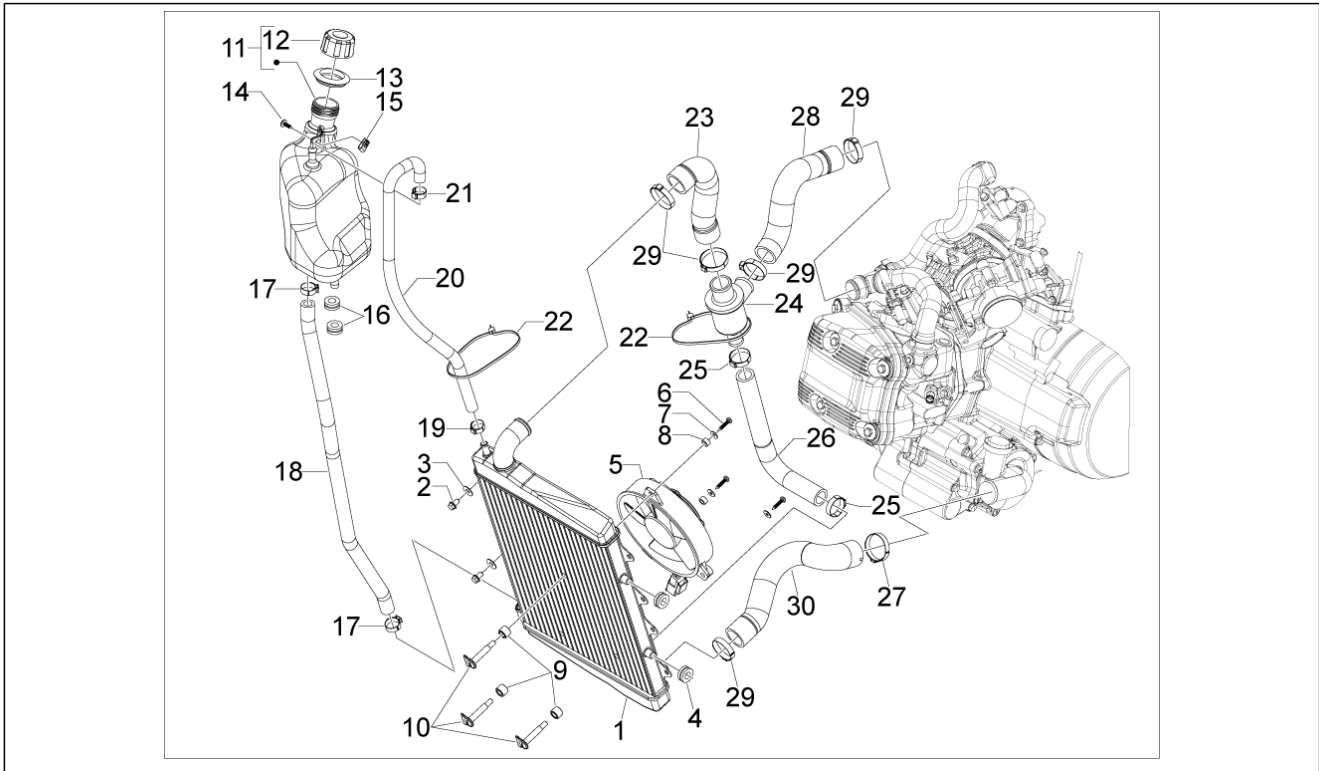
Pos.	Code	Description	Qty	Variants
1	674797	Left fuel tank	1	
2	674839	Tank cap	1	
3	656021	Tank cover gasket	1	
4	674798	Right fuel tank	1	
5	CM025712	Indicator fuel level	1	
6	656003	Gasket	1	
7	576546	Ring nut	1	
8	641251	Fuel pump	1	
9	654969	Complete breather pipe	1	
9	675320	Complete breather pipe	1	
10	CM179201	Metric screw M6x22	6	
11	654184	Hose clamp	1	
12	654820	Tank pipe	1	
13	654479	Gasket ring	2	
14	CM001908	Hose clamp	1	
15	654477	Fuel pipe protection	1	
16	297498	Self tapping screw M3,5x13	4	
17	959614	Screw M6x10	1	
18	078307	Washer	1	
19	297029	Washer	1	
20	656875	Hose	1	
21	CM001923	Hose clamp	3	
22	145298	Lock-strap L=180mm	2	
23	257134	Lock-strap L=277	3	
24	709141	Washer	2	
25	622235	Float chamber	1	
26	655789	Fuel pipe complete with joints	1	
27	623743	Hose clamp	2	

Group	Frame - Plastic parts - Coachwork
Code	02.47
Description	Fuel tank
Service	1



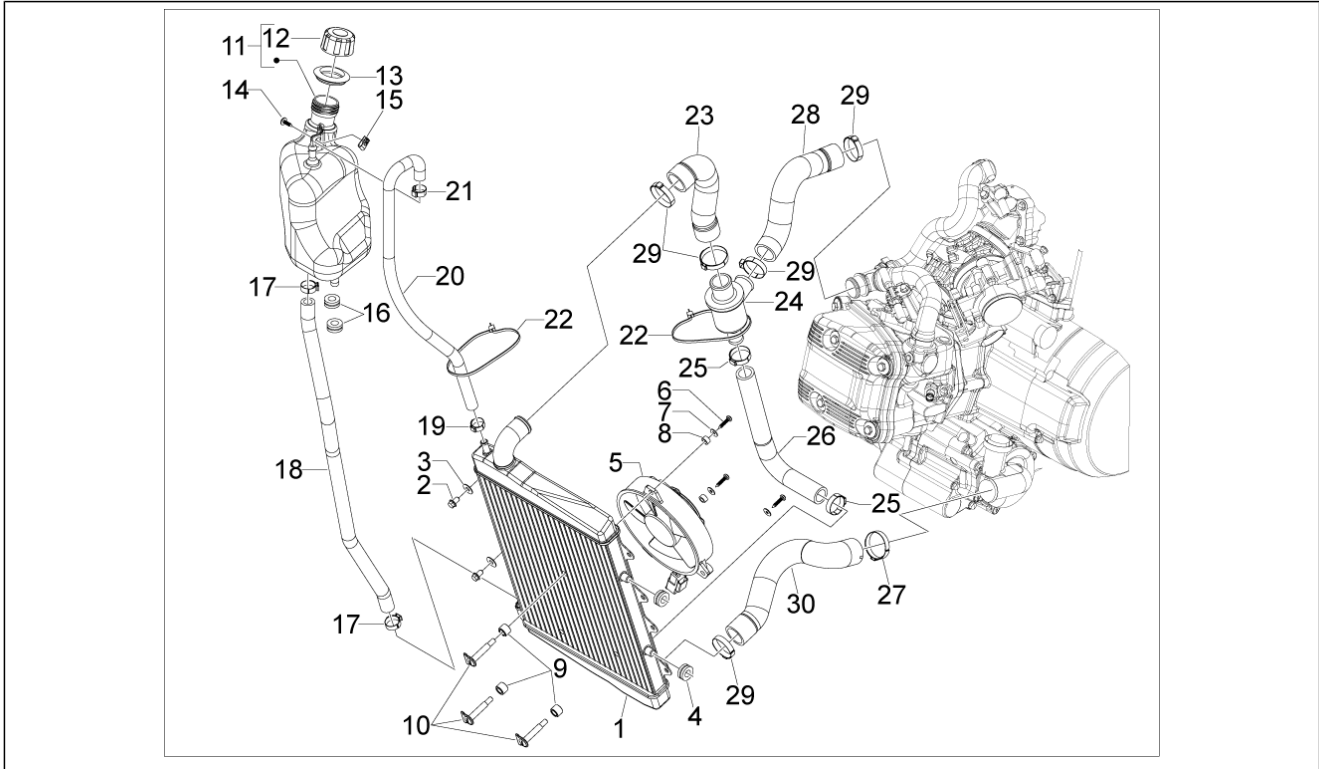
Pos.	Code	Description	Qty	Variants
28	018509	screw	2	
29	654818	Connection	1	

Group	Frame - Plastic parts - Coachwork
Code	02.55
Description	Cooling system
Service	1



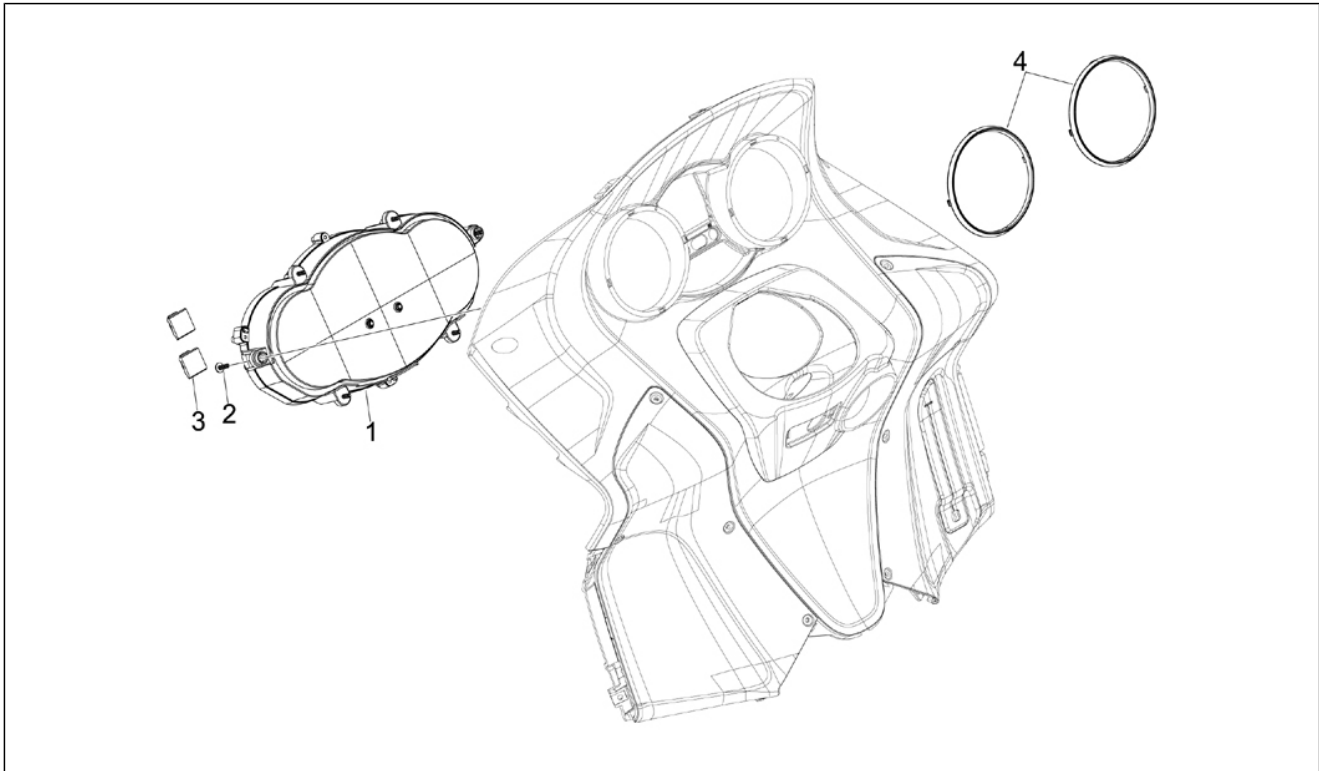
Pos.	Code	Description	Qty	Variants
1	57341R	Water cooler	1	
2	969296	Screw w/ flange M6x10	1	
3	078307	Washer	2	
4	258904	Lower rubber	2	
5	622055	Fan, cpl.	1	
6	AP8150270	Screw 4,2x20*	3	
7	013763	Flat washer 4,2x12x1	1	
8	622306	Spacer	2	
9	654878	Spacer	3	
10	AP8121464	Pin	3	
11	653031	Coolant tank	1	
12	623673	Expansion tank plug	1	
13	620737	Fuel tank gasket	1	
14	CM178601	Self tapping screw D4.2x16	1	
15	CM017410	Spring plate	1	
16	258904	Lower rubber	2	
17	CM001904	Hose clamp	2	
18	654117	Return pipe	1	
19	CM001902	Hose clamp	1	
20	654118	Breather pipe	1	
21	CM001903	Hose clamp	1	
22	257134	Lock-strap L=277	2	
23	652897	Thermostat-cooler pipe fitting link	1	
24	834232	Thermostat valve set 85°C	1	
25	CM001907	Hose clamp	2	
26	652898	Water hose	1	
27	CM001925	Hose clamp	1	
28	621397	Engine-thermostat pipe	1	

Group	Frame - Plastic parts - Coachwork
Code	02.55
Description	Cooling system
Service	1



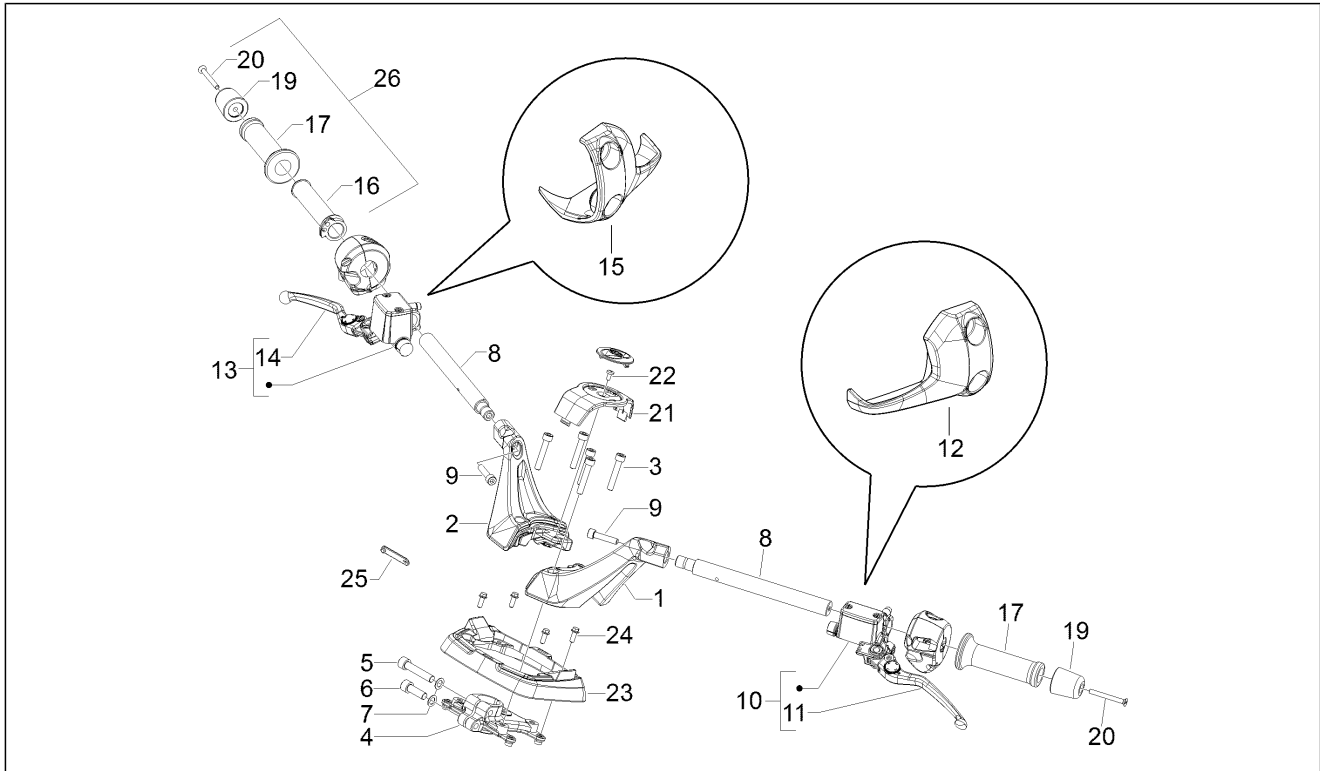
Pos.	Code	Description	Qty	Variants
29	CM001924	Hose clamp	5	
30	622053	Pump connection hose	1	

Group	Handlebars/Steering
Code	03.02
Description	Meter combination - Cruscotto
Service	1



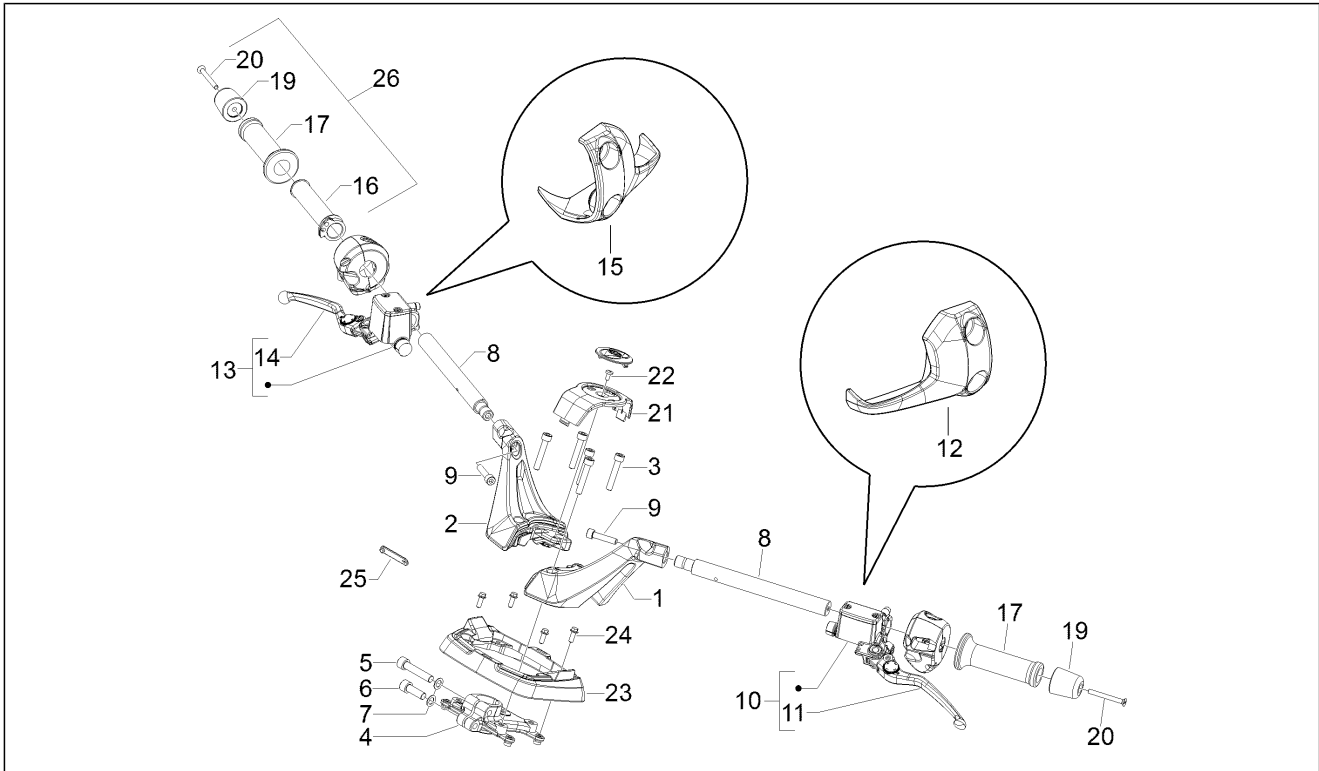
Pos.	Code	Description	Qty	Variants
1	643178	Meter combination	1	
2	270793	TBCIC Screw 3,8x16	6	
3	577594	Spring clamp	2	
4	623250	Instrument frame	2	

Group	Handlebars/Steering
Code	03.06
Description	Handlebars - Master cil.
Service	1



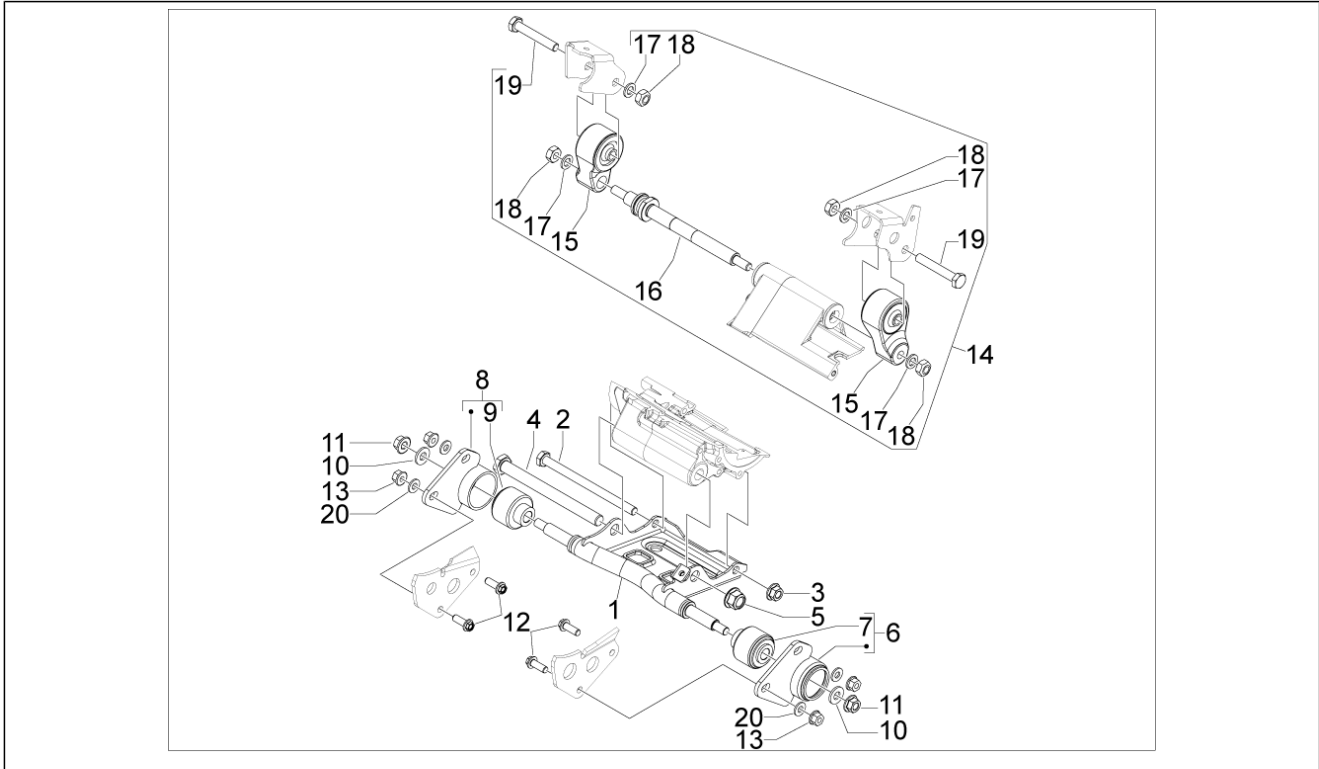
Pos.	Code	Description	Qty	Variants
1	653174	Left half handlebar	1	
2	653175	Right half handlebar	1	
3	654483	Hex socket screw	5	
4	653343	Half-handlebar support	1	
5	583480	screw	1	
6	564632	Special cap screw	1	
7	012543	Flat elastic washer with internal tothing 17x10,3x2	2	
8	654203	Handlebar insert	2	
9	654484	Hex socket screw	2	
10	650714	(Heng Tong) Left brake pump	1	Technical specification:Standard[ST]
10	668704	Master cil. L.H. (ABS)	1	Technical specification:ABS Version[ABS]
11	665645	(Heng Tong) Left brake lever	1	
12	650965	LH pump cover	1	
13	650715	(Heng Tong) Right brake pump	1	Technical specification:Standard[ST]
13	668419	Pompa freno Dx (ABS)	1	Technical specification:ABS Version[ABS]
13	668703	Master cil. r.h. (ABS)	1	Technical specification:ABS Version[ABS]
14	665646	(Heng Tong) Right brake lever	1	
15	650966	RH pump cover	1	
16	975633	Hose	1	
17	497663	Right/left throttle twist grip torque	1	
19	674860	Terminal	2	
20	271434	screw M6x55	2	
21	656512	Upper handlebar cover	1	
21	6565120090	Upper handlebar cover	1	Vehicle colour:White[525] Vehicle colour:BLACK[98/A] Vehicle colour:White[525] Vehicle colour:BLACK[98/A]
22	018575	Screw M5x10	1	
23	653169	Handlebar lower frame	1	

Group	Handlebars/Steering
Code	03.06
Description	Handlebars - Master cil.
Service	1



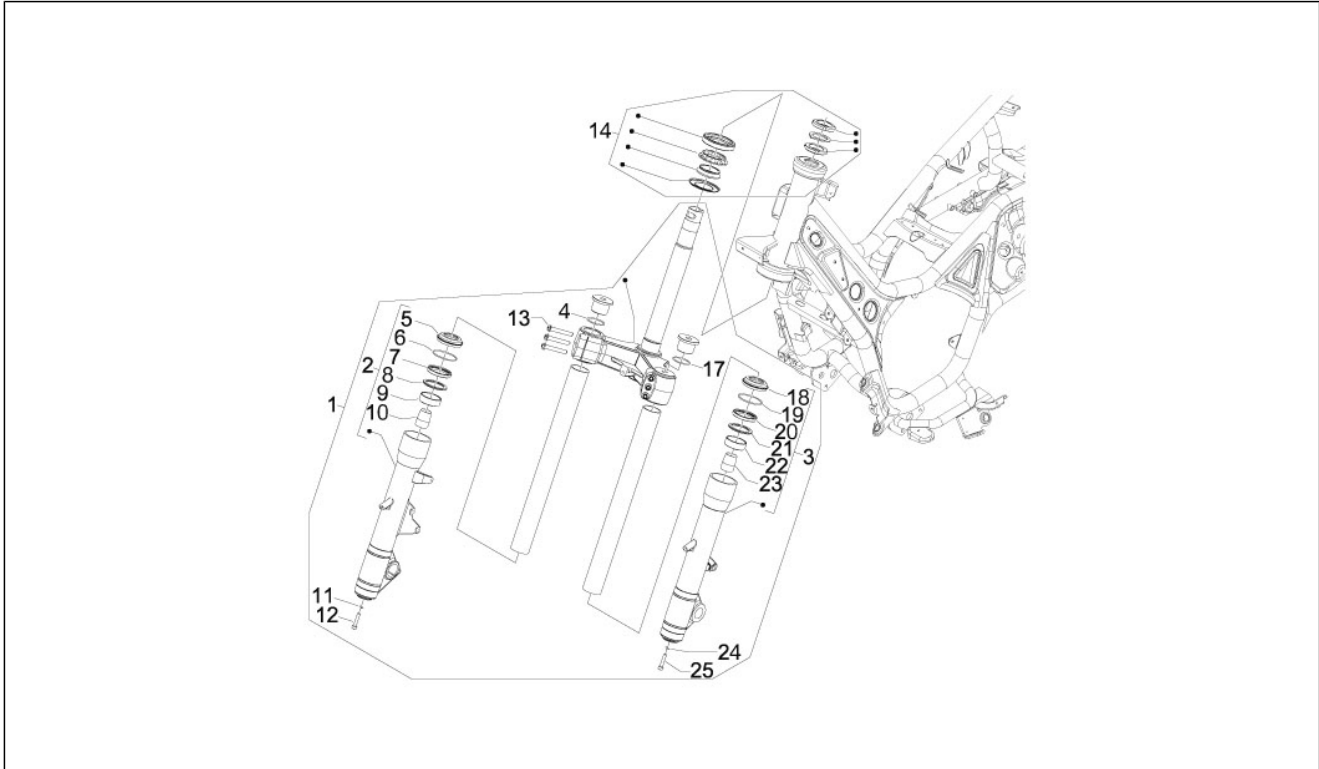
Pos.	Code	Description	Qty	Variants
23	65316900BM	Handlebar lower frame	1	Vehicle colour:White[525] Vehicle colour:White[525]
23	65316900XN2	Handlebar lower frame	1	Vehicle colour:BLACK[98/A] Vehicle colour:BLACK[98/A]
24	434541	Screw w/ flange M6x16	4	
25	860744	Hose clamp	2	
26	668222	Right control complete with accelerator	1	Technical specification:Standard[ST]
26	668615	Right control complete with accelerator ABS	1	Technical specification:ABS Version[ABS]

Group	Suspensions - Wheels
Code	04.01
Description	Swinging arm
Service	1



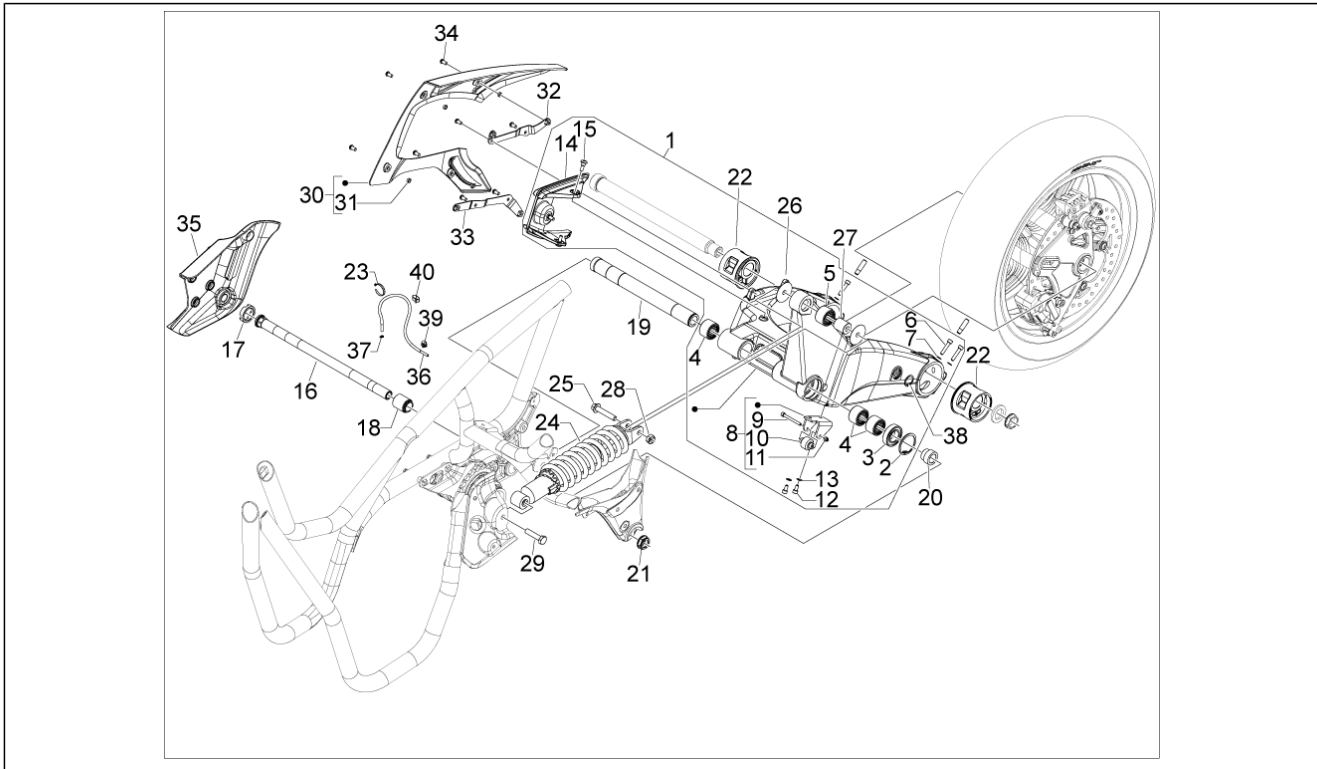
Pos.	Code	Description	Qty	Variants
1	654714	Not available	1	
2	030117	screw	1	
3	564878	Nut	1	
4	621381	Bolt M14x1,5	1	
5	975110	Nut	1	
6	654814	LH support	1	
7	649587	End stop rod drift	1	
8	654815	RH support	1	
9	649587	End stop rod drift	1	
10	178790	Flat washer 22x10,3x2,5	2	
11	002440	Self locking nut M10	1	
12	655169	Screw w/ flange	4	
13	967363	Nut M8x1,25	4	
14	6238555	Rear coupling	1	
15	654770	Connecting rod	2	
16	622969	Pin	1	
17	016626	Plain washer 10,4x18x2	4	
18	002440	Self locking nut M10	1	
19	030102	screw M10	2	
20	246976	Washer	4	

Group	Suspensions - Wheels
Code	04.02
Description	Fork/steering tube - Steering bearing unit
Service	1



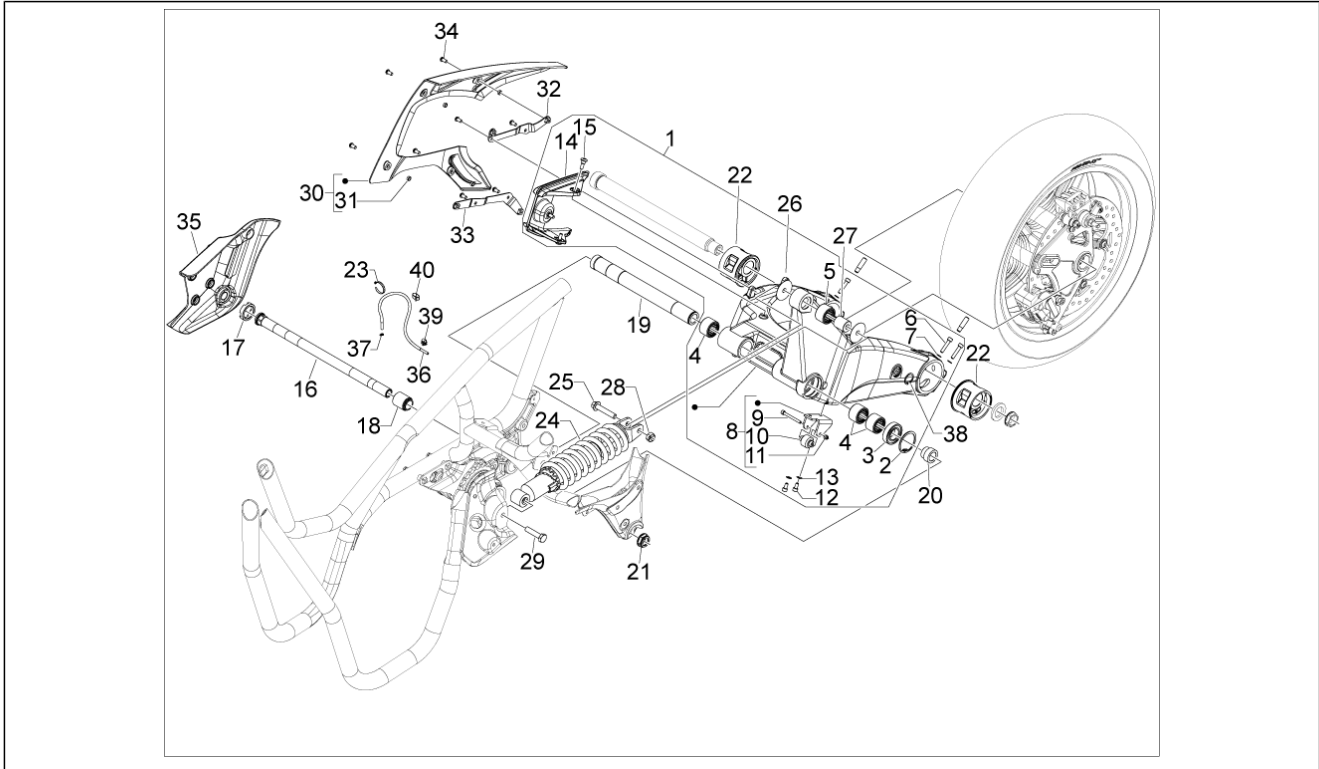
Pos.	Code	Description	Qty	Variants
1	668365	Front fork assembly (KAYABA)	1	
2	668710	R.H. sleeve assy (KAYABA)	1	
3	668711	L.H. sleeve assy (KAYABA)	1	
4	599274	O-ring (KAYABA)	1	
5	599272	Dust cover (KAYABA)	1	
6	599271	Circlip (KAYABA)	1	
7	599267	Oil seal (KAYABA)	1	
8	599266	Washer (KAYABA)	1	
9	599265	Upper bush (KAYABA)	1	
10	599268	Bush (KAYABA)	1	
11	599270	Washer (KAYABA)	1	
12	599269	screw (KAYABA)	1	
13	665617	screw	6	
14	6006885	Steering bearing assy.	1	
17	599274	O-ring (KAYABA)	1	
18	599272	Dust cover (KAYABA)	1	
19	599271	Circlip (KAYABA)	1	
20	599267	Oil seal (KAYABA)	1	
21	599266	Washer (KAYABA)	1	
22	599265	Upper bush (KAYABA)	1	
23	599268	Bush (KAYABA)	1	
24	599270	Washer (KAYABA)	1	
25	599269	screw (KAYABA)	1	

Group	Suspensions - Wheels
Code	04.10
Description	Rear suspension - Shock absorber/s
Service	1



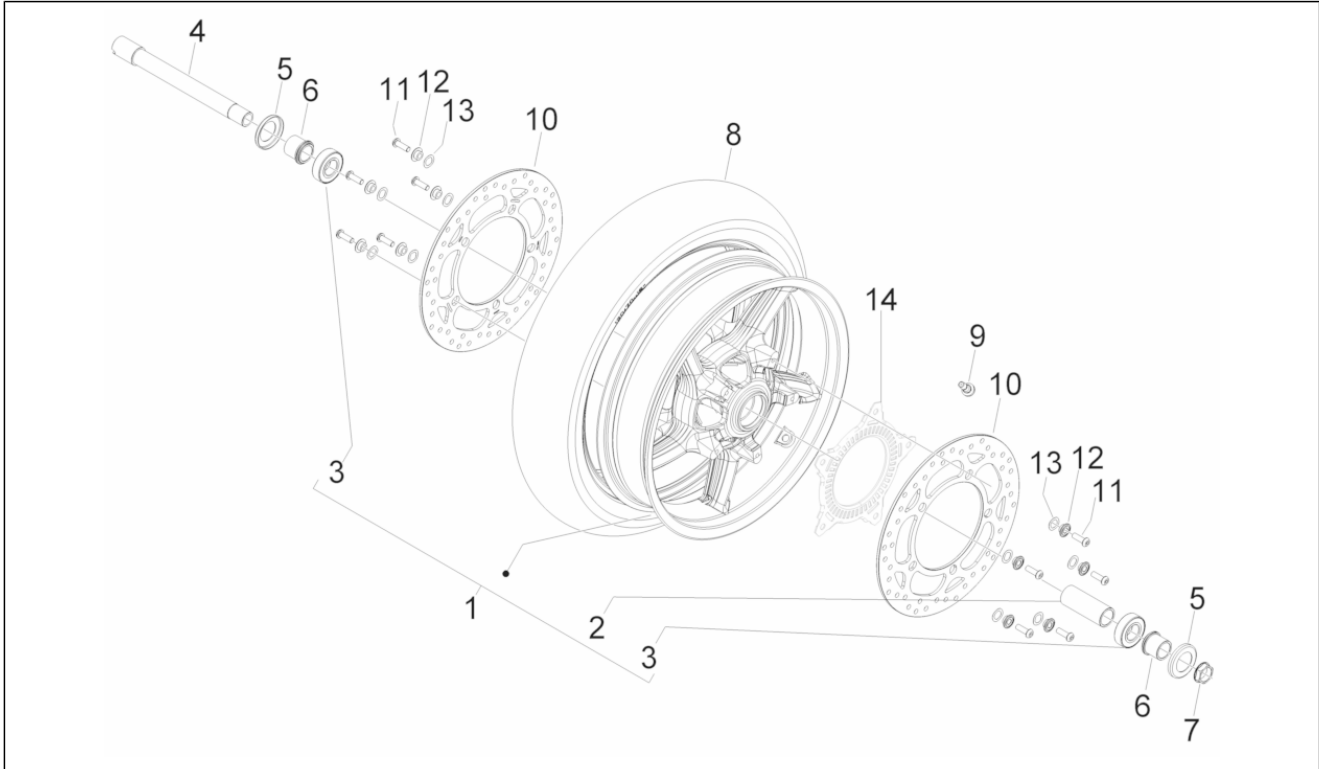
Pos.	Code	Description	Qty	Variants
1	668366	Swingarm	1	
2	006647	Circlip	1	
3	597038	Bearing	1	
4	599724	Cage à rouleaux 30-37	3	
5	650031	Cage à rouleaux 25x32x24	1	
6	620365	Hex socket screw M6x30	4	
7	006966	Spring washer 6,4x11x0,5	4	
8	649987	buffer support bracket	1	
9	294839	screw	1	
10	583342	Stop buffer	1	
11	012112	Nut	1	
12	122675	Hex socket screw	2	
13	006976	Spring washer 12x6,4x0,5	2	
14	649672	Chain tensioner sliding block	1	
15	CM179201	Metric screw M6x22	3	
16	648705	Rear swing arm pin	1	
17	648707	Swing arm ring nut	1	
18	649981	Bush	1	
19	648468	Spacer	1	
20	649982	Spacer	1	
21	648708	Rear wheel spindle nut	1	
22	668568	Cam	2	
23	273779	Hose clamp	1	
24	648481	Rear shock absorber cpl.	1	
25	268158	Screw w/ flange M10	1	
26	650169	Shim washer	2	
27	650058	Spacer	1	
28	002440	Self locking nut M10	1	

Group	Suspensions - Wheels
Code	04.10
Description	Rear suspension - Shock absorber/s
Service	1



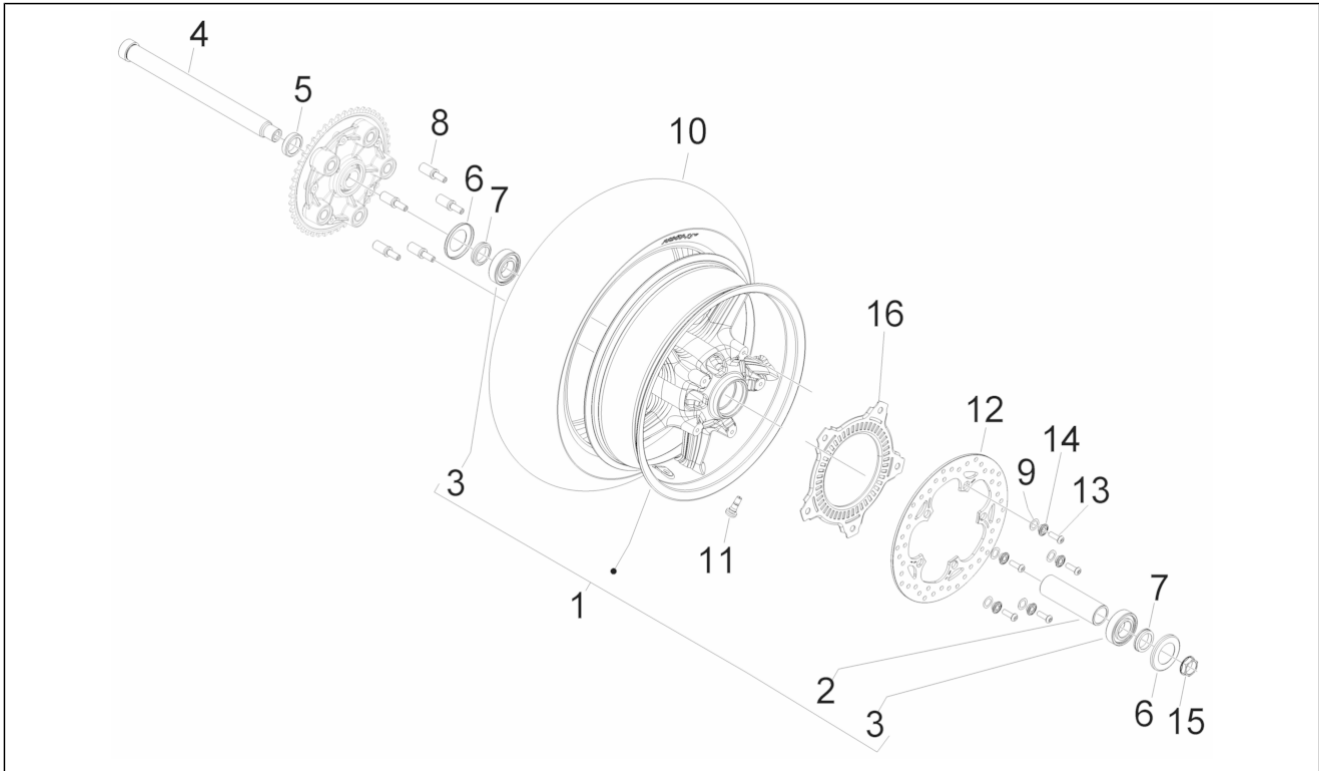
Pos.	Code	Description	Qty	Variants
29	967384	screw	1	
30	649885	Chain protection	1	
31	623162	Spacer	4	
32	649888	Upper reinforcement	1	
33	649890	Lower reinforcement	1	
34	274369	Hex socket screw M6x12	8	
35	654487	Tyre	1	
36	CM001309	Breather pipe	1	
37	CM002902	Hose clamp	1	
38	006624	Ring	2	
39	CM013201	Spring	2	
40	145298	Lock-strap L=180mm	2	

Group	Suspensions - Wheels
Code	04.11
Description	Front wheel
Service	1



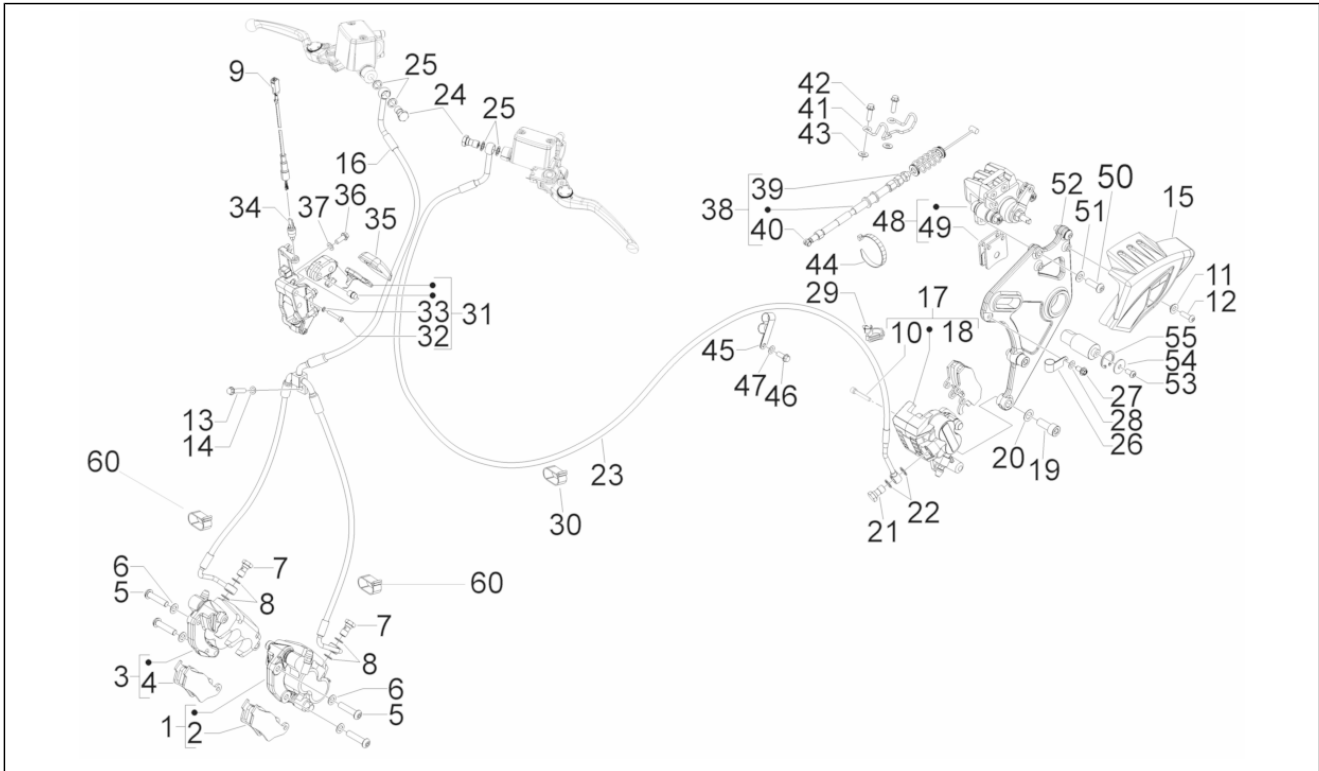
Pos.	Code	Description	Qty	Variants
1	666798	Front wheel	1	Technical specification: Standard[ST]
1	667993	Front wheel	1	Technical specification: ABS Version[ABS]
2	600711	Central spacer	1	
3	478984	Radial bearing 25x52x15	2	
4	600359	Front wheel axle	1	
5	600713	Cup	2	
6	600712	Spacer	2	
7	600354	Nut	1	
8	599893	Front tyre 120/70-16" Michelin	1	
9	597679	Tubeless valve	1	
10	651041	Brake disc D=300	2	
11	564606	Hex socket screw	10	
12	650083	Bush	10	
13	AP8121641	Ring	10	
14	646935	Front ABS tone wheel	1	Technical specification: ABS Version[ABS]

Group	Suspensions - Wheels
Code	04.12
Description	Rear wheel
Service	1



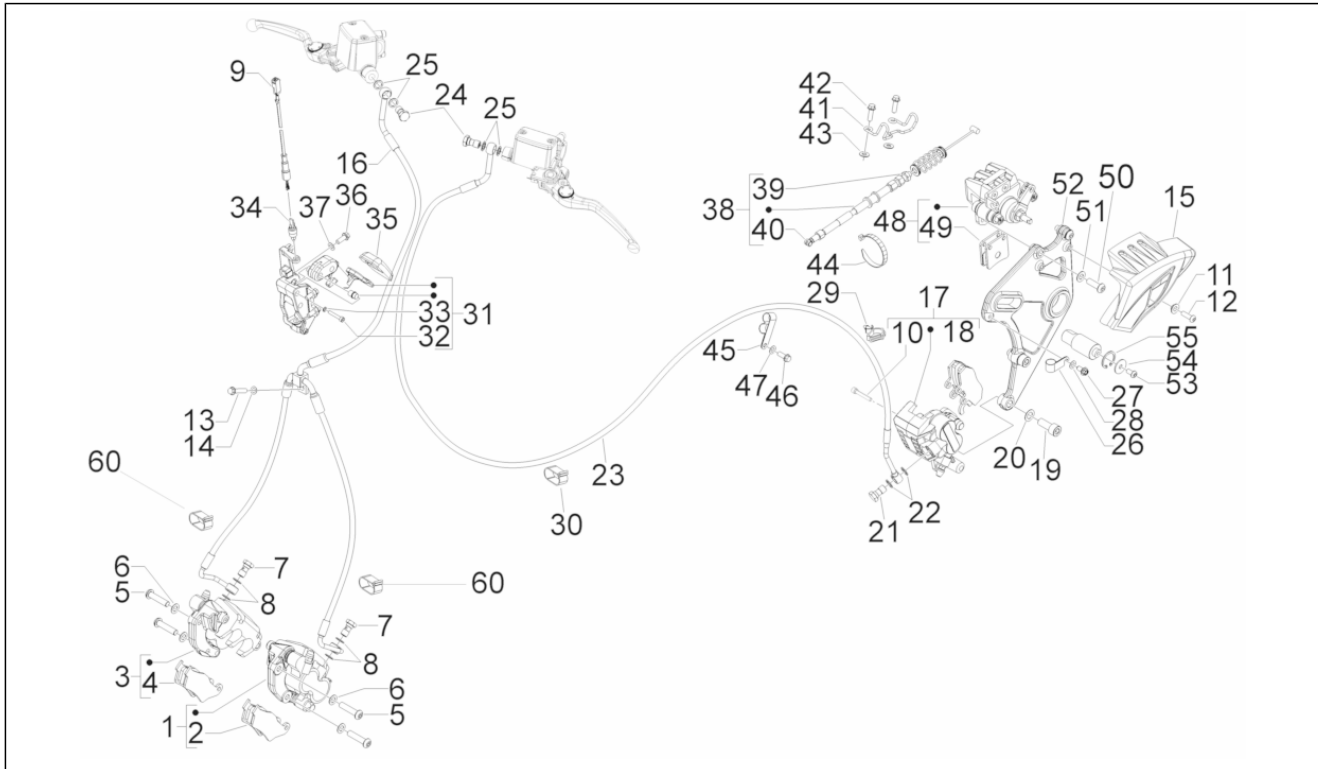
Pos.	Code	Description	Qty	Variants
1	666801	Rear wheel	1	Technical specification: Standard[ST]
1	667994	Rear wheel	1	Technical specification: ABS Version[ABS]
2	601173	Spacer	1	
3	832848	Radial bearing	2	
4	649077	Rear wheel axle	1	
5	649472	Spacer	1	
6	601174	Cup	2	
7	601184	Spacer	2	
8	AP8121571	Pin	5	
9	AP8121641	Ring	5	
10	599806	Rear tyre 160/60-15" Michelin	1	
11	597679	Tubeless valve	1	
12	651042	Brake disc D=280	1	
13	564606	Hex socket screw	5	
14	650083	Bush	5	
15	600354	Nut	1	
16	647007	ABS rear tone wheel	1	Technical specification: ABS Version[ABS]

Group	Braking system - Transmissions
Code	05.01
Description	Brakes pipes - Calipers
Service	1



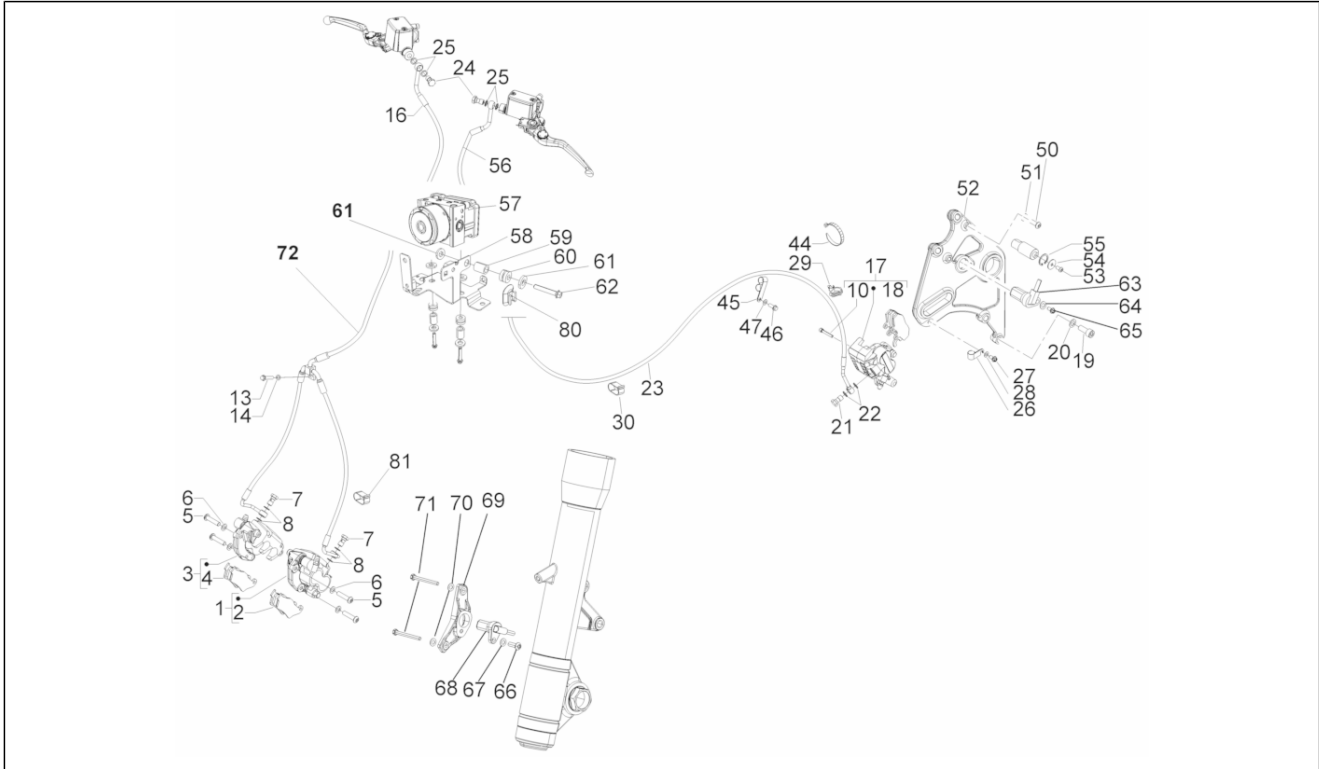
Pos.	Code	Description	Qty	Variants
1	CM081901	Lh brake caliper 2 x 28	1	
2	650097	Brake pads torque	1	
3	CM081902	Rh brake caliper 2 x 28	1	
4	650097	Brake pads torque	1	
5	651297	Torx convex big end screw	4	
6	709047	Spring washer	4	
7	265451	Oil pipe screw M10x18	2	
8	600075	Flat washer	1	
9	641630	Stop switch bridle	2	
10	666139	Brake supp. plate pin	2	
11	830056	Knurled bushing	2	
12	271147	Hex socket screw M6x20	2	
13	709099	Hex socket screw M6x16	1	
14	006966	Spring washer 6,4x11x0,5	1	
15	649679	brake calliper cover	1	
16	651234	Front brake pipe	1	
17	CM068308	Brake caliper Heng Tong	1	
18	647078	Brake pads torque (Heng Tong)	1	
19	649554	screw	2	
20	006970	Washer	2	
21	265451	Oil pipe screw M10x18	1	
22	127927	Gasket	2	
23	649076	Rear brake flexible pipe	1	
24	265451	Oil pipe screw M10x18	2	
25	127927	Gasket	4	
26	649912	Hose clamp	1	
27	AP8152277	Screw w/ flange M6x12	1	
28	006976	Spring washer 12x6,4x0,5	1	

Group	Braking system - Transmissions
Code	05.01
Description	Brakes pipes - Calipers
Service	1



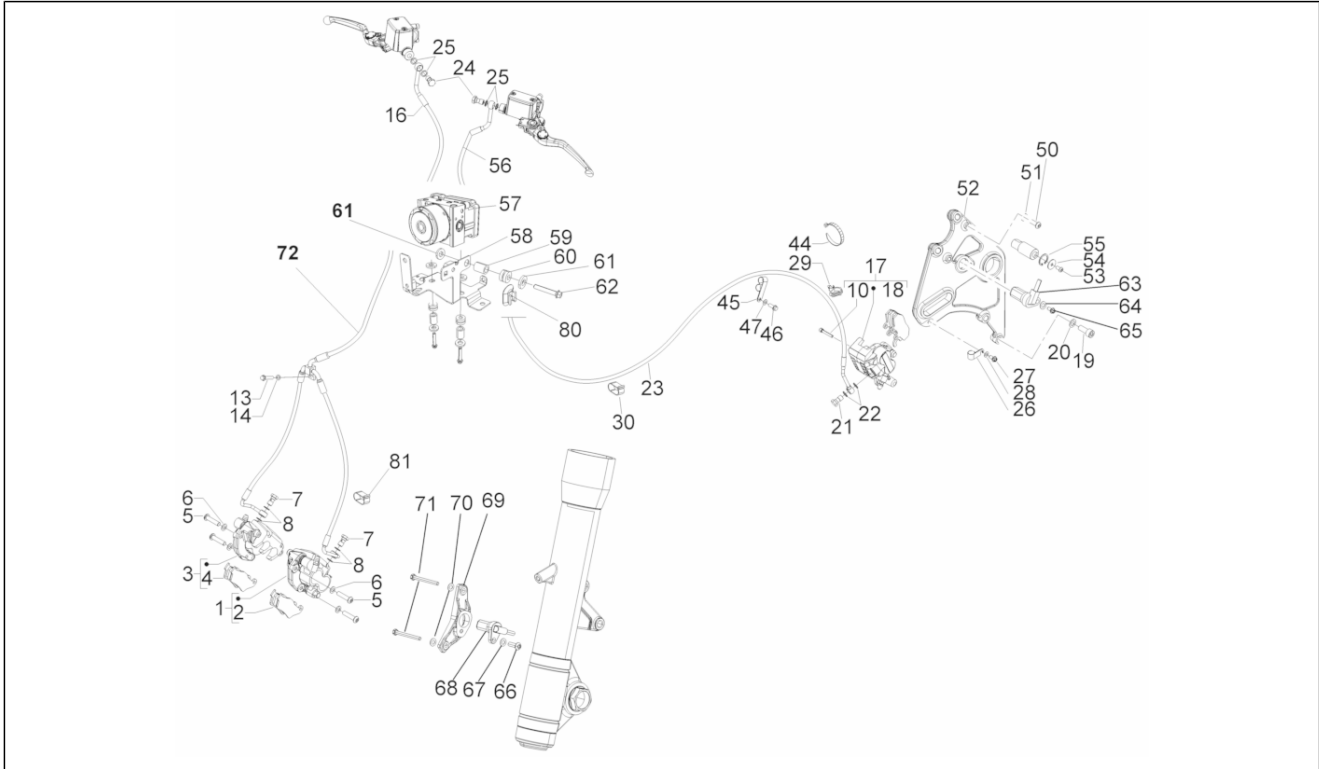
Pos.	Code	Description	Qty	Variants
29	257134	Lock-strap L=277	3	
30	CM006902	Non return spring	1	
31	649157	Parking brake lever unit	1	
32	292500	screw	1	
33	016404	Flat washer 4,2x7,6x0,9	3	
34	584953	stop Button	1	
35	649925	Lever cover	1	
36	434541	Screw w/ flange M6x16	4	
37	006976	Spring washer 12x6,4x0,5	4	
38	649657	Parking brake control transmission	1	
39	020208	Nut M8	1	
40	266040	Bush	1	
41	649941	Hose clamp	1	
42	434541	Screw w/ flange M6x16	3	
43	006976	Spring washer 12x6,4x0,5	3	
44	145298	Lock-strap L=180mm	1	
45	666047	Hose clamp	1	
46	434541	Screw w/ flange M6x16	1	
47	006976	Spring washer 12x6,4x0,5	1	
48	CM084601	Left parking brake pin	1	
49	649830	Brake pads torque	2	
50	564606	Hex socket screw	2	
51	003058	Plain washer 15x8,4x1,5	2	
52	649768	Brake caliper support plate	1	
53	274369	Hex socket screw M6x12	1	
54	145298	Lock-strap L=180mm	1	
55	006624	Ring	1	
60	668902	Pipes/cables retainer spring	1	

Group	Braking system - Transmissions
Code	05.02
Description	Brakes pipes - Calipers (ABS)
Service	1



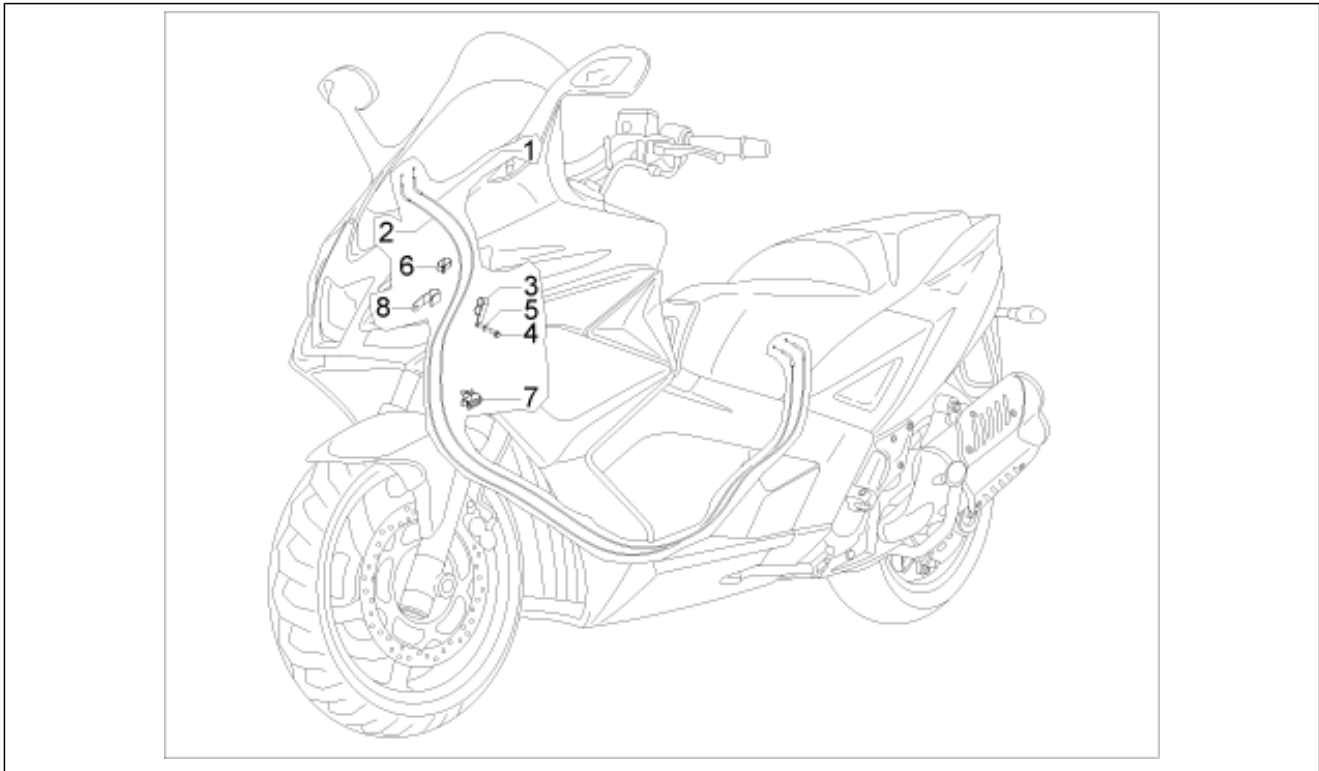
Pos.	Code	Description	Qty	Variants
1	CM081901	Lh brake caliper 2 x 28	1	
2	650097	Brake pads torque	1	
3	CM081902	Rh brake caliper 2 x 28	1	
4	650097	Brake pads torque	1	
5	651297	Torx convex big end screw	4	
6	709047	Spring washer	4	
7	265451	Oil pipe screw M10x18	2	
8	600075	Flat washer	1	
10	666139	Brake supp. plate pin	2	
13	709099	Hex socket screw M6x16	1	
14	006966	Spring washer 6,4x11x0,5	1	
16	668130	Front RH brake hose	1	
17	CM068308	Brake caliper Heng Tong	1	
18	647078	Brake pads torque (Heng Tong)	1	
19	649554	screw	2	
20	006970	Washer	2	
21	265451	Oil pipe screw M10x18	1	
22	127927	Gasket	2	
23	668133	ABS unit - rear brake calliper flexible hose	1	
24	265451	Oil pipe screw M10x18	2	
25	127927	Gasket	4	
26	649912	Hose clamp	1	
27	AP8152277	Screw w/ flange M6x12	1	
28	006976	Spring washer 12x6,4x0,5	1	
29	257134	Lock-strap L=277	3	
30	CM006902	Non return spring	1	
44	145298	Lock-strap L=180mm	1	
45	649378	Hose clamp	1	

Group	Braking system - Transmissions
Code	05.02
Description	Brakes pipes - Calipers (ABS)
Service	1



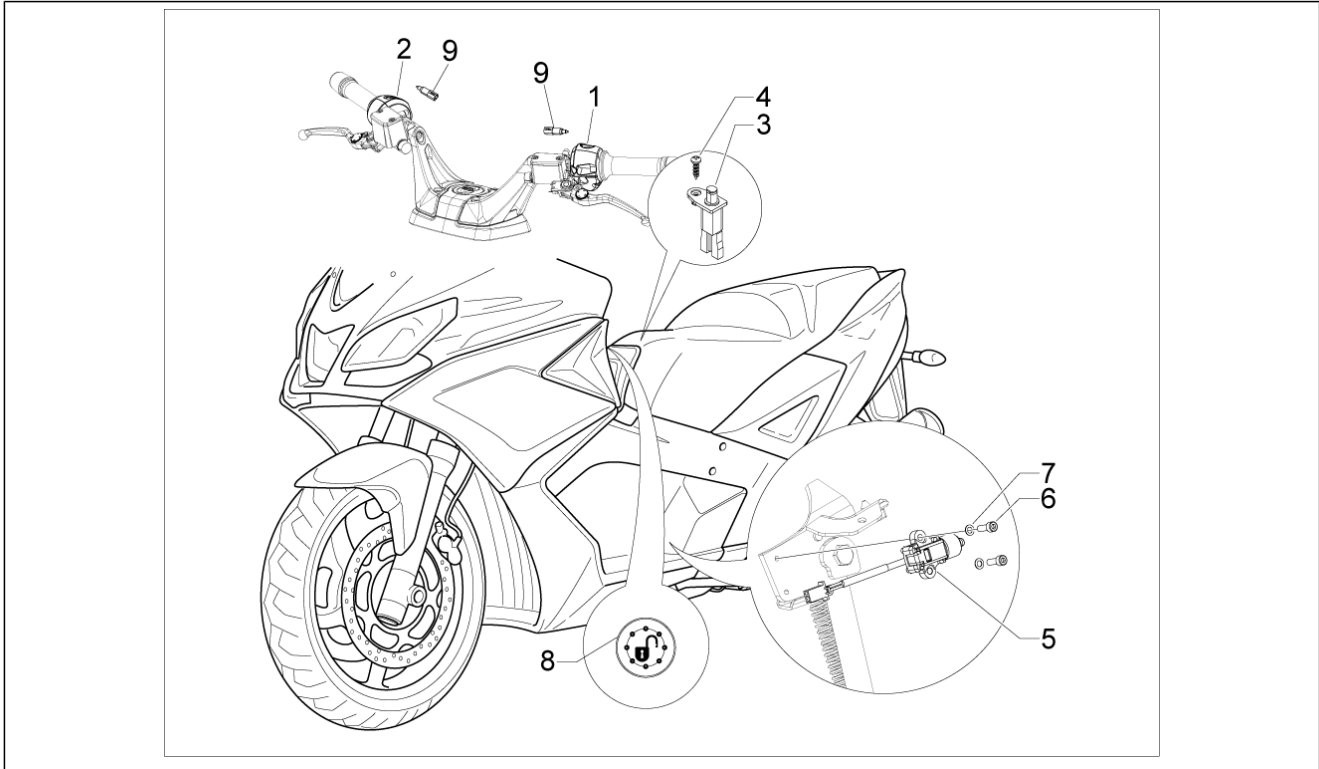
Pos.	Code	Description	Qty	Variants
46	434541	Screw w/ flange M6x16	1	
47	006976	Spring washer 12x6,4x0,5	1	
50	564606	Hex socket screw	2	
51	003058	Plain washer 15x8,4x1,5	2	
52	668011	Brake caliper support plate	1	
53	274369	Hex socket screw M6x12	1	
54	145298	Lock-strap L=180mm	1	
55	006624	Ring	1	
56	668132	Rear brake flexible pipe	1	
57	668577	ABS electro-hydraulic control unit	1	
58	650279	ABS SUPPORT BRACKET WITH I.P.	1	
58	669056	ABS SUPPORT BRACKET WITH I.P.	1	
59	174969	Spacer	3	
60	939278	Pad	3	
61	179575	Washer	6	
62	018639	Hex screw M6x20	3	
63	859792	Sensor ABS	1	
64	006975	Washer $\varnothing 5,3 \times \varnothing 10 \times 0,5$	1	
65	880285	Torx Screw	1	
66	880285	Torx Screw	1	
67	006975	Washer $\varnothing 5,3 \times \varnothing 10 \times 0,5$	1	
68	859792	Sensor ABS	1	
69	650181	Sensor support ABS	1	
70	006975	Washer $\varnothing 5,3 \times \varnothing 10 \times 0,5$	2	
71	031056	screw M5x12	2	
72	668131	BREAK PIPES	1	
80	B005629	Molletta	1	
81	668902	Pipes/cables retainer spring	1	

Group	Braking system - Transmissions
Code	05.03
Description	Transmissions
Service	1



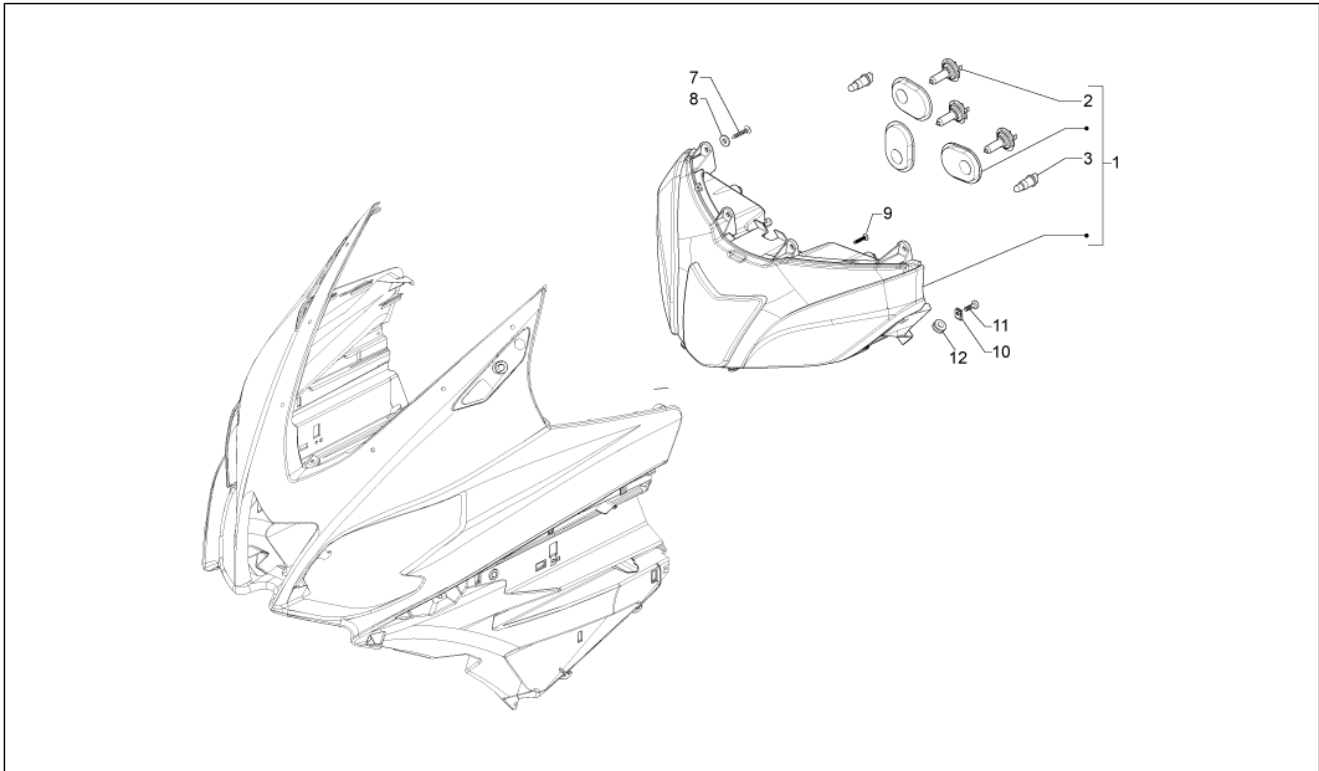
Pos.	Code	Description	Qty	Variants
1	649407	Gas lever transmission	1	
2	649408	Complete throttle control transmission	1	
3	649378	Hose clamp	2	
4	434541	Screw w/ flange M6x16	1	
5	006976	Spring washer 12x6,4x0,5	1	
6	CM006910	Molletta	1	
7	217280	Hose clamp	1	
8	581767	Support clamp	1	

Group	Electrical system
Code	06.01
Description	Selectors - Switches - Buttons
Service	1



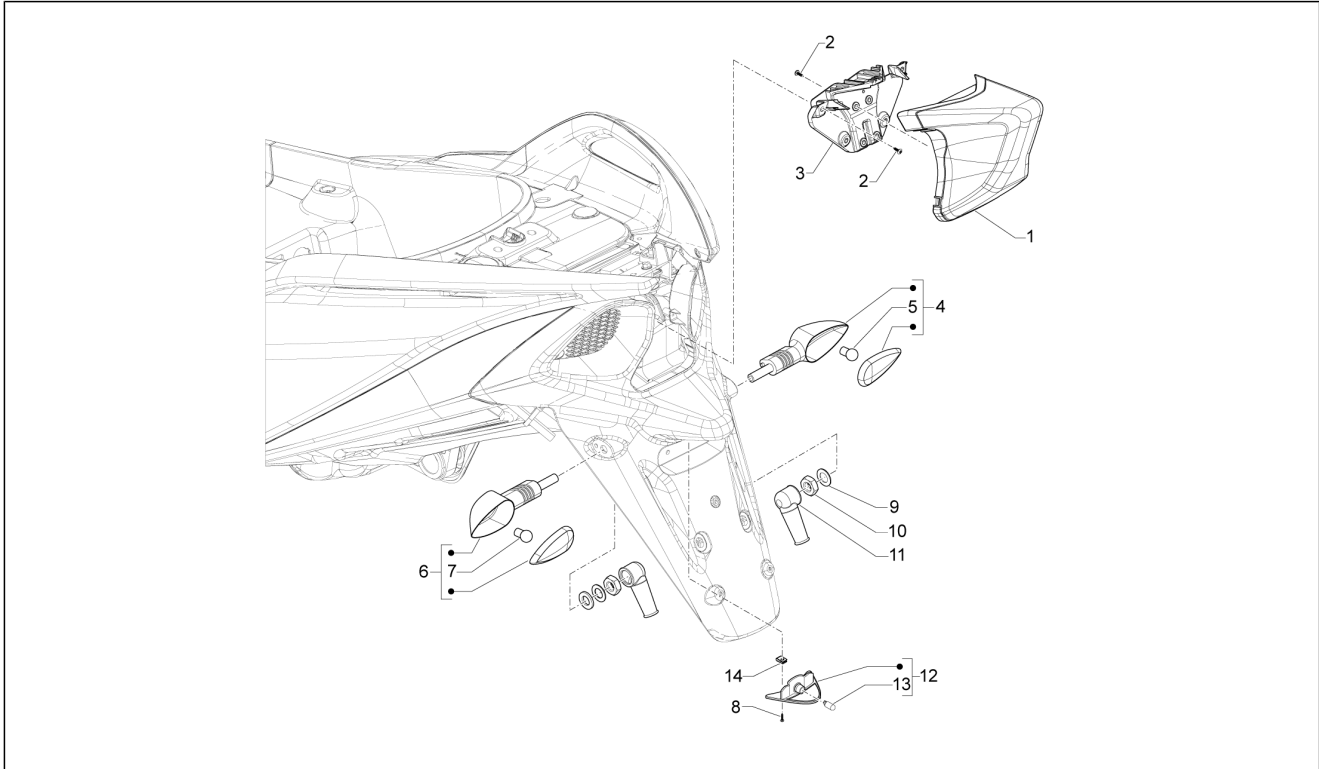
Pos.	Code	Description	Qty	Variants
1	642348	Left electrical device	1	
2	643179	Right electric device	1	Technical specification: Standard[ST]
2	643368	Right electric device ABS	1	Technical specification: ABS Version[ABS]
3	584826	Button	1	
4	015911	Self tapping screw 4,2x16	1	
5	639542	Button for side stand	1	
6	292889	Hex socket screw M5x16	2	
7	012532	Washer 5,3x10x0	2	
8	582988	Saddle opening button	1	
9	642032	stop Button	2	

Group	Electrical system
Code	06.03
Description	Front headlamps - Turn signal lamps
Service	1



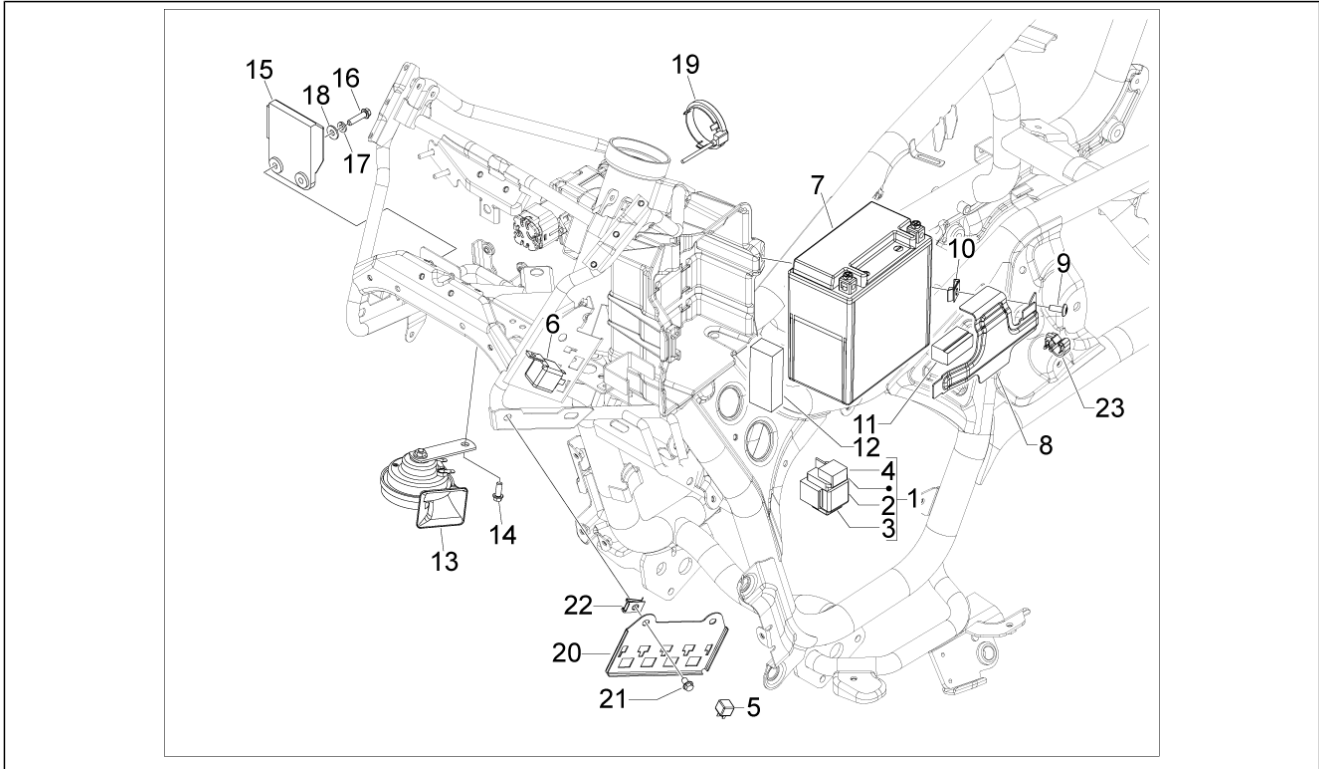
Pos.	Code	Description	Qty	Variants
1	858703	Headlight	1	
2	640754	Lamp H11 12V 55W	3	
3	893929	Lamp W5WB 2V 5W	2	
7	AP8150509	Self-tap screw 5x14	4	
8	AP8150382	Washer 15x5,5X1,2	4	
9	AP8152302	Screw w/ flange M5x12	1	
10	AP8102375	Clip m5	3	
11	AP8150515	Light adjustment self-threading screw	3	
12	AP8120405	Rubber spacer	3	

Group	Electrical system
Code	06.04
Description	Rear headlamps - Turn signal lamps
Service	1



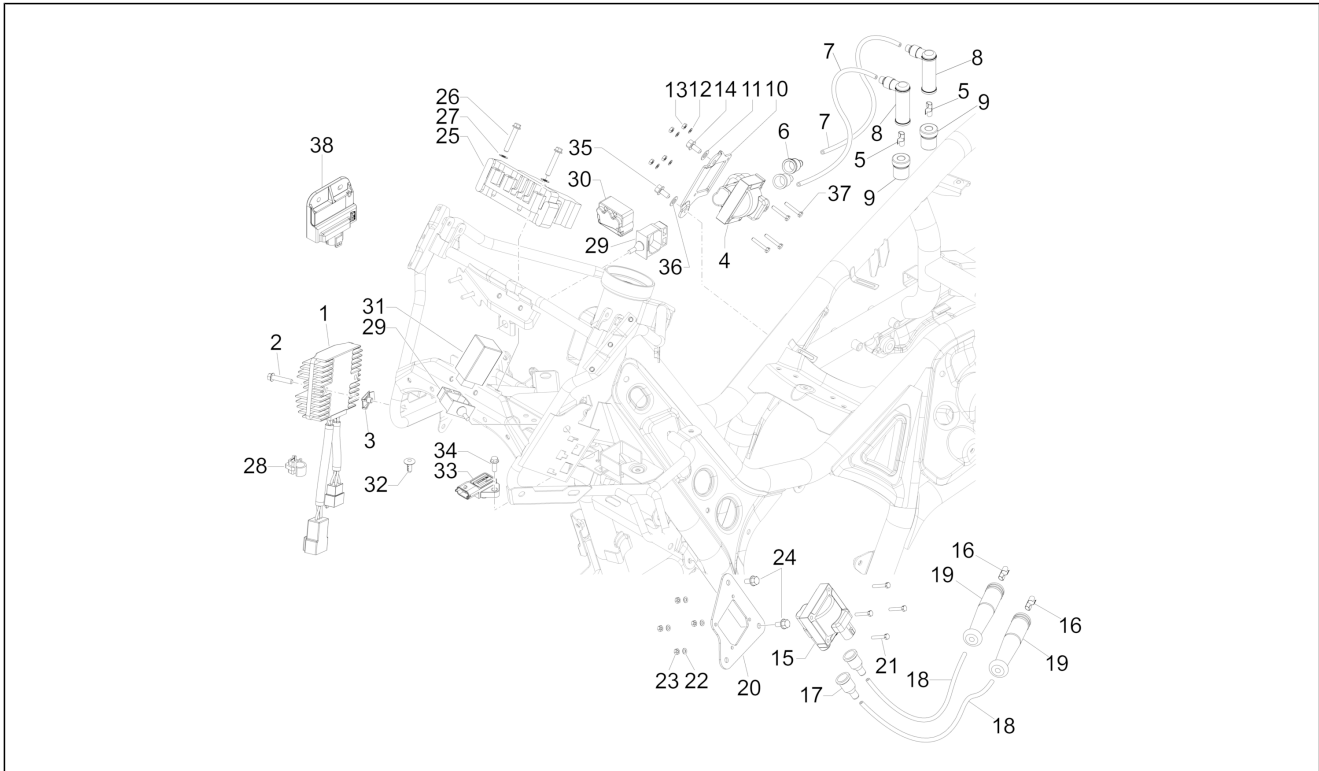
Pos.	Code	Description	Qty	Variants
1	643302	Taillight	1	
2	CM180701	Self tapping screw D4x16	8	
3	674822	Light support plate	1	
4	640244	Right rear and left front turn indicators	1	
5	584332	Lamp 12V-10W	1	
6	640245	Left rear and right front turn indicators	1	
7	584332	Lamp 12V-10W	1	
8	015859	screw 3,5x16	2	
9	012535	Washer	2	
10	675307	Nut	2	
11	581061	Cap	2	
12	641355000C	Rear licence plate light	1	Vehicle colour:White[525] Vehicle colour:BLACK[98/A] Vehicle colour:White[525] Vehicle colour:BLACK[98/A]
13	292022	Lamp 12V-5W	1	
14	CM017403	Spring plate	2	

Group	Electrical system
Code	06.05
Description	Remote control switches - Battery - Horn
Service	1



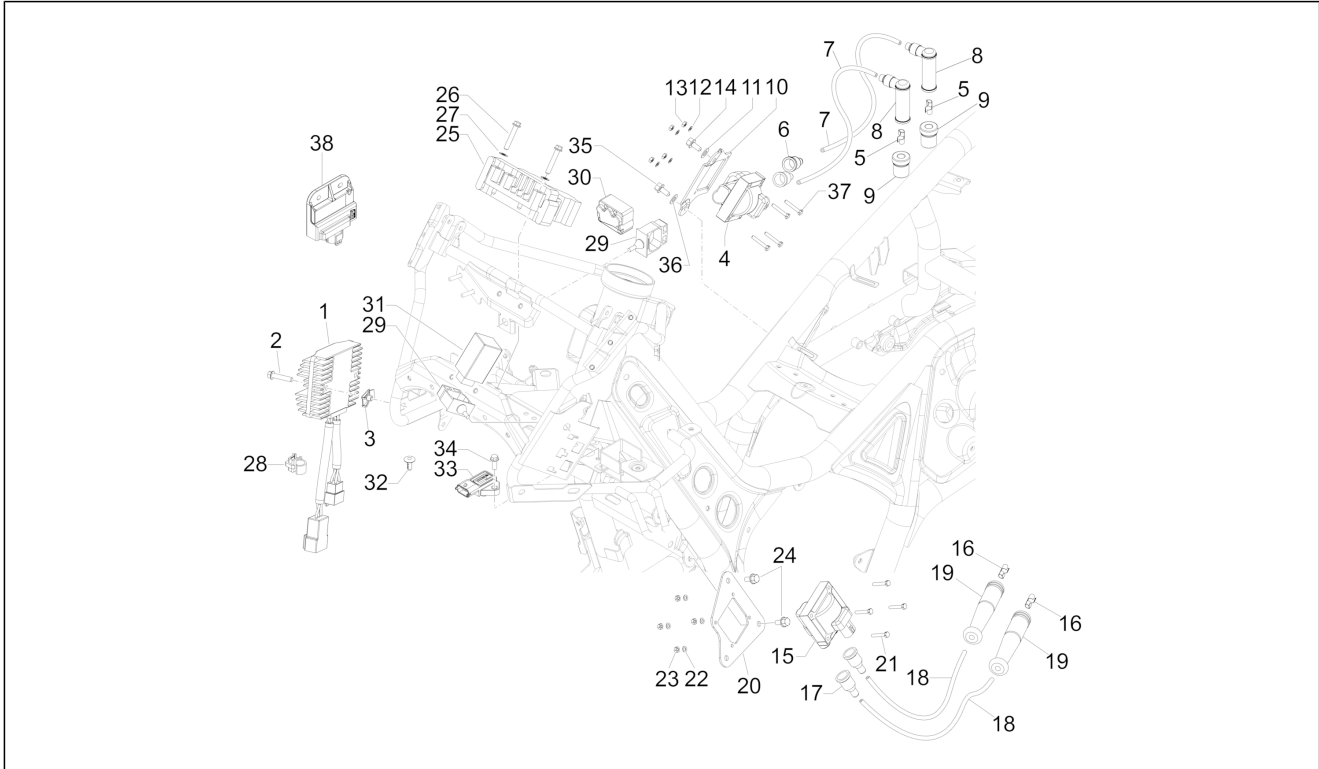
Pos.	Code	Description	Qty	Variants
1	6403935	Starter relay	1	
2	582906	Flexible support	1	
3	581440	Fuse 30A	2	
4	640394	Fuse 40A	2	
5	641933	Relay with resistance 12V-30A	7	
6	292332	Switch electromagnetic switch 12V-40/15A	2	
7	638733	Battery Yuasa 12V-12Ah (150x85x145)	1	
8	653318	Battery closing plate	1	
9	CM179301	Screw M6x16	1	
10	254485	Spring plate M6	1	
11	654707	Pad	1	
12	575937	Stop buffer	1	
13	640474	Warning horn 12v	1	
14	434541	Screw w/ flange M6x16	1	
15	829121	Decoder	1	
16	414837	Screw w/ flange M6x25	2	
17	016406	Spring washer 6,4x11,8x1	2	
18	013880	Flat washer 16x6,5x1,5	2	
19	828800	Immobilizer antenna	1	
20	639640	Relay fixing bracket	1	
21	969296	Screw w/ flange M6x10	2	
22	254485	Spring plate M6	1	
23	654139	Battery adapter	1	

Group	Electrical system
Code	06.06
Description	Voltage Regulators - Electronic Control Units (ecu) - H.T. Coil
Service	1



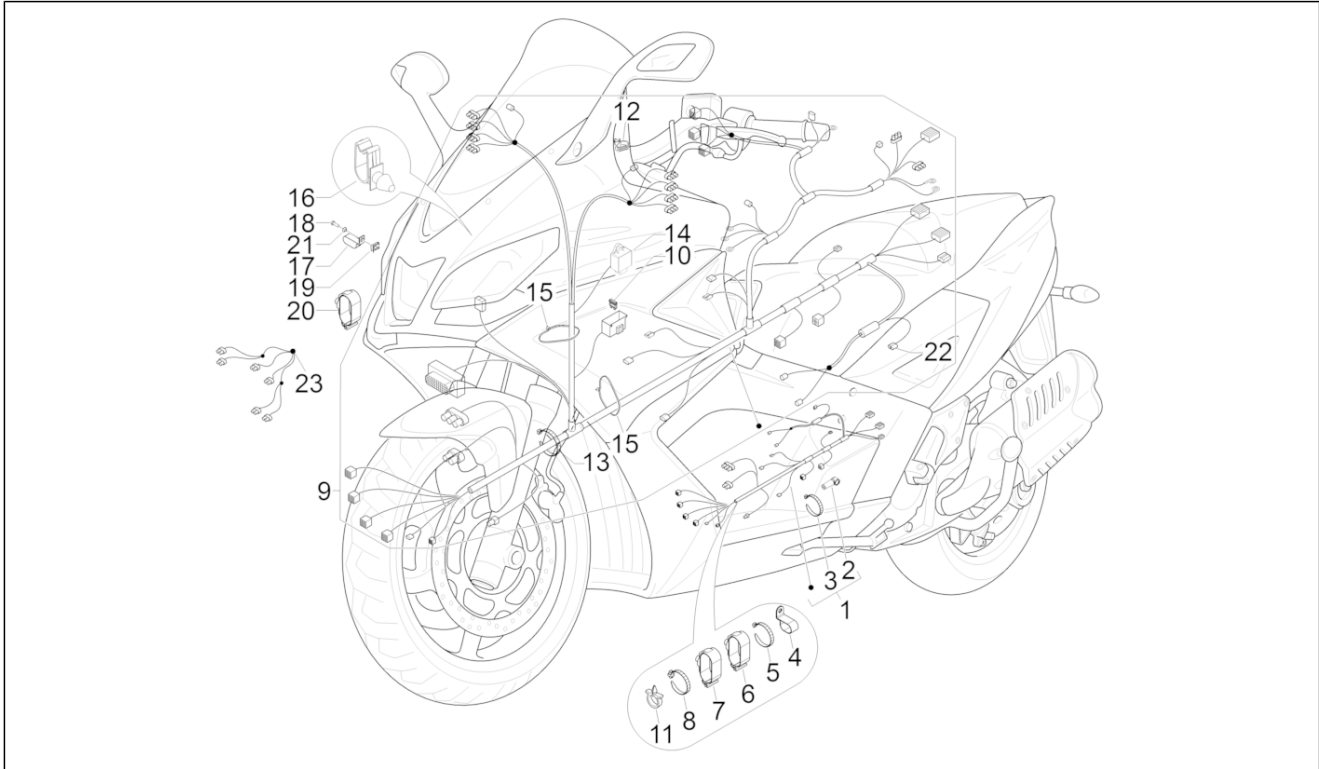
Pos.	Code	Description	Qty	Variants
1	641711	Voltage regulator	1	
2	B016792	Screw w/ flange M6x30	2	
3	254485	Spring plate M6	2	
4	639187	Coil cpl.	1	
5	015014	End cap	2	
6	071671	Insulating cap	2	
7	080341	H.V. cable	2	
8	969348	Screened cap	2	
9	641643	Spark plug protection clamp	2	
10	654173	Coil support plate	1	
11	016406	Spring washer 6,4x11,8x1	1	
12	012531	Washer 4,2x8x1,1	4	
13	020104	Nut M4	4	
14	833722	Screw w/ flange M6x14	1	
15	639187	Coil cpl.	1	
16	015014	End cap	2	
17	071671	Insulating cap	2	
18	080341	H.V. cable	2	
19	640715	Spark plug cap	2	
20	653038	Coil support plate	1	
21	840543	screw	4	
22	012531	Washer 4,2x8x1,1	4	
23	020104	Nut M4	4	
24	833722	Screw w/ flange M6x14	2	
25	CM088002	Electronic control unit	1	
26	414838	screw M6x35	2	
27	006976	Spring washer 12x6,4x0,5	2	
28	CM013201	Spring	1	

Group	Electrical system
Code	06.06
Description	Voltage Regulators - Electronic Control Units (ecu) - H.T. Coil
Service	1



Pos.	Code	Description	Qty	Variants
28	CM013202	Pipes/cables retainer spring	1	
29	291017	Flexible support	2	
30	584509	Fall sensor	1	
31	640221	Turn indicator control device with hazard	1	
32	581142	Ambient temperature sensor	1	
33	642302	Air pressure sensor	1	
34	B016777	Screw w/ flange M6x16	1	
35	641204	Tri/lobed hexagonal self-tapping screw	1	
36	003056	Flat washer 6,4x12x1	1	
37	840543	screw	4	
38	643422	Can bus converter Interfaccia tra dispositivo ABS e centralina elettronica	1	Technical specification: ABS Version[ABS]

Group	Electrical system
Code	06.08
Description	Main cable harness
Service	1



Pos.	Code	Description	Qty	Variants
1	643399	Cable harness	1	
2	255256	Cap	1	
3	145298	Lock-strap L=180mm	1	
4	641143	Hose clamp	1	
5	825481	Hose clamp	2	
6	CM006904	Non return spring l=27	1	
7	CM006905	Non return spring L=12	1	
8	217280	Hose clamp	1	
9	643176	Cable harness	1	Technical specification:Standard[ST]
9	643484	Cable harness ABS	1	Technical specification:ABS Version[ABS]
10	252945	Fuse 7,5A	4	
10	290860	Fuse 15A	4	
10	292507	Fuse 10A	1	
10	293256	Reed fuse 5a	2	
11	231590	Elastic spring	1	
12	584002	Maintenance	2	
13	145298	Lock-strap L=180mm	13	
14	640805	ELECTRIC CONTROLS MANAGEMENT DEVICE	1	Technical specification:Standard[ST]
14	643272	ELECTRIC CONTROLS MANAGEMENT DEVICE	1	Technical specification:ABS Version[ABS]
15	257134	Lock-strap L=277	3	
16	217280	Hose clamp	1	
17	294013	Hose clamp	1	
18	272836	Screw M6x16	1	
19	254485	Spring plate M6	1	
20	CM006902	Non return spring	1	
21	830056	Knurled bushing	1	
22	581424	Ground cable	1	
23	643301	Headlamp cable harness	1	