



PIAGGIO & C.s.p.a.

**aprilia**

## **SPARE PARTS CATALOGUE**

### **SR 300 MAX 2012-2013**

Chassis prefix: ZAPM3560

Engine prefix:

## Index

Finished products.....	4
Alphanumeric index.....	6
Engine.....	11
Table 01.02 - Engine, assembly.....	11
Table 01.05 - Crankcase.....	12
Table 01.06 - Crankshaft.....	13
Table 01.07 - Cylinder-piston-wrist pin unit.....	14
Table 01.10 - Head unit - Valve.....	15
Table 01.11 - Rocking levers support unit.....	16
Table 01.12 - Cylinder head cover.....	17
Table 01.13 - Driving pulley.....	18
Table 01.14 - Driven pulley.....	19
Table 01.15 - Crankcase cover - Crankcase cooling.....	20
Table 01.18 - Oil pump.....	21
Table 01.19 - Cooler pump.....	22
Table 01.20 - Stater - Electric starter.....	23
Table 01.21 - Flywheel magneto.....	24
Table 01.23 - Flywheel magneto cover - Oil filter.....	25
Table 01.25 - Reduction unit.....	26
Table 01.36 - Throttle body - Injector - Union pipe.....	27
Table 01.42 - Silencer.....	28
Table 01.45 - Air filter.....	29
Frame - Plastic parts - Coachwork.....	30
Table 02.01 - Frame/bodywork.....	30
Table 02.25 - Stand/s.....	31
Table 02.26 - Front shield.....	32
Table 02.27 - Windshield - Glass.....	34
Table 02.30 - Front glove-box - Knee-guard panel.....	35
Table 02.31 - Central cover - Footrests.....	36
Table 02.32 - Side cover - Spoiler.....	39
Table 02.33 - Wheel huosing - Mudguard.....	41
Table 02.34 - Helmet huosing - Undersaddle.....	42
Table 02.37 - Rear cover - Splash guard.....	43
Table 02.38 - Plates - Emblems.....	44
Table 02.39 - Saddle/seats - Tool roll.....	45
Table 02.45 - Driving mirror/s.....	46
Table 02.46 - Locks.....	47
Table 02.47 - Fuel tank.....	48
Table 02.55 - Cooling system.....	49
Handlebars/Steering.....	50
Table 03.01 - Handlebars coverages.....	50
Table 03.02 - Meter combination - Cruscotto.....	51
Table 03.06 - Handlebars - Master cil.....	52

---

Suspensions - Wheels.....	53
Table 04.01 - Swinging arm.....	53
Table 04.02 - Fork/steering tube - Steering bearing unit.....	54
Table 04.10 - Rear suspension - Shock absorber/s.....	55
Table 04.11 - Front wheel.....	56
Table 04.12 - Rear wheel.....	57
Braking system - Transmissions.....	58
Table 05.01 - Brakes pipes - Calipers.....	58
Table 05.03 - Transmissions.....	60
Electrical system.....	61
Table 06.01 - Selectors - Switches - Buttons.....	61
Table 06.03 - Front headlamps - Turn signal lamps.....	62
Table 06.04 - Rear headlamps - Turn signal lamps.....	63
Table 06.05 - Remote control switches - Battery - Horn.....	64
Table 06.06 - Voltage Regulators - Electronic Control Units (ecu) - H.T. Coil.....	65
Table 06.08 - Main cable harness.....	66

## Finished products

Code	Validity
EGS7000AU1	
EGS7000AU2	
EGS7000HR1	
EGS7000HR2	
EGS7000I01	
EGS7000I02	
EGS7000J01	
EGS7000J02	
EGS7000KR2	
EGS7BMHAU2	
EGS7BMHHR2	
EGS7BMHI02	
EGS7BMHJ02	
EGS7BMHKR2	
EGS7XNHAU1	
EGS7XNHHR1	
EGS7XNHI01	
EGS7XNHJ01	
EGS7XNHKR1	
EGS7XNHZ01	
EGS9000I02	
EGS9000J02	
EGS9000KR2	
EGS9BMHI02	
EGS9BMHJ02	
EGS9BMHKR2	
EGS9XNHI01	
EGS9XNHJ01	
EGS9XNHKR1	
NGS7000U01	
NGS7000U02	
NGS7000U03	
NGS7000U04	
NGS7000U05	
NGS7000U06	
NGS7000U07	
NGS7000U08	
NGS7BMHU03	
NGS7BMHU04	
NGS7BMHU07	
NGS7BMHU08	
NGS7BMHZ01	

Code	Validity
NGS7XNHU01	
NGS7XNHU02	
NGS7XNHU05	
NGS7XNHU06	
NGS7XNHZ01	
NGS9000U01	
NGS9000U02	
NGS9BMHU03	
NGS9BMHU04	
NGS9XNHU01	
NGS9XNHU02	

Code	No. table	Pos.	Code	No. table	Pos.	Code	No. table	Pos.
000097	01.21	10	020003	06.06	6	254485	02.47	5
000674	01.05	7	020104	02.31	48	254485	06.06	18
002440	02.25	10	020104	02.37	16	257134	02.47	25
002440	02.25	13	020206	02.26	19	257134	02.55	25
002440	02.25	3	020206	02.26	21	257134	05.01	33
002440	04.01	8	020206	02.27	6	257134	05.03	3
002440	04.10	14	020210	02.31	28	257134	06.08	13
002440	04.10	7	020210	02.31	32	257301	02.34	24
003054	06.04	17	030115	02.25	2	257302	02.34	25
003055	02.31	41	031089	06.08	15	258146	01.15	11
003056	01.45	17	031153	02.25	9	258146	01.45	4
003056	01.45	20	063435	01.10	16	258249	02.26	11
003058	02.31	16	071633	02.34	14	258249	02.31	2
003058	02.31	24	071671	06.06	15	258249	02.31	43
006125	06.06	7	078307	02.37	8	258249	02.31	51
006416	04.01	14	078307	02.47	8	258249	02.31	9
006635	01.15	3	078307	06.05	5	258249	02.32	11
006966	05.01	19	080341	06.06	11	258249	02.32	17
006976	02.33	3	122675	05.01	18	258249	02.32	22
006976	02.33	9	125647	06.08	25	258249	02.32	26
006976	02.37	3	127927	05.01	13	258249	02.32	8
008375	01.20	7	140435	05.03	2	258249	02.33	20
008423	02.31	40	145298	01.23	15	258249	02.33	23
0111094	04.02	21	145298	01.42	15	258249	03.01	20
012528	02.47	23	145298	04.11	10	258249	06.04	4
012528	06.08	24	145298	06.05	12	258904	02.55	10
012528	06.08	28	145298	06.08	11	258904	02.55	19
012532	06.01	6	145298	06.08	3	259166	01.45	15
012533	01.45	16	164245	02.25	15	259349	02.26	6
012533	01.45	19	164634	03.02	3	259349	02.31	5
012533	02.01	4	164634	03.02	5	259349	03.01	13
012543	03.06	4	168077	02.55	21	259349	03.01	19
012554	06.06	5	178790	03.06	3	259372	02.30	4
012789	04.12	15	178790	04.10	3	259830	02.26	5
013092	02.34	23	180859	02.33	16	259830	02.27	11
013092	02.55	16	182302	03.01	5	259830	02.32	28
013763	02.31	6	182302	03.01	7	259933	02.31	14
013763	02.37	14	191189	02.25	14	259933	02.31	21
013763	06.08	8	191962	02.34	5	260918	01.36	7
013776	04.10	10	194423	04.12	14	260918	01.45	12
013950	02.01	5	195482	02.47	9	265451	05.01	12
013963	02.32	3	195483	04.10	16	267115	03.01	18
015014	06.06	13	199190	02.26	25	267115	06.04	16
015330	03.06	5	199190	06.03	19	267958	02.31	58
015715	02.47	24	18000256	02.46	2	267958	06.03	18
015727	02.46	4	227983	02.37	5	268158	04.10	12
015728	06.08	9	229343	05.01	31	268158	04.10	2
015792	01.42	16	230636	05.01	20	268304	02.47	7
015804	02.33	8	239388	01.05	10	268596	02.37	18
015911	06.01	3	239388	01.05	4	269134	02.26	27
015996	02.31	46	239388	01.15	2	269273	05.01	17
016404	02.37	15	241936	01.45	14	269755	01.25	13
016604	05.01	5	241936	03.02	8	270723	02.34	16
016627	04.10	6	241936	03.02	9	270793	01.15	6
016670	02.34	10	241936	06.04	12	270793	02.30	7
018538	01.11	18	241936	06.04	3	270793	02.32	2
018555	02.39	5	241936	06.06	8	270793	02.34	21
018575	01.05	16	246976	04.12	5	270793	02.34	8
018575	01.21	3	252099	02.34	9	270793	02.55	9
018591	02.37	13	252945	06.08	4	270793	03.01	12
018623	02.34	2	254485	02.26	3	271147	04.11	12
018623	06.04	2	254485	02.30	3	271434	03.06	15
018629	05.01	15	254485	02.31	53	271452	03.06	21
018639	01.36	3	254485	02.32	6	271453	03.06	16
018639	02.37	2	254485	02.33	10	271740	04.11	17
018639	06.08	10	254485	02.33	25	271779	04.01	9
018640	01.45	18	254485	02.34	26	271891	02.34	22

Code	No. table	Pos.	Code	No. table	Pos.	Code	No. table	Pos.
272426	02.25	6	319165	05.01	3	497005	04.02	14
272750	04.01	13	351782	02.55	18	497006	04.02	13
272836	02.32	5	411296	01.10	12	497011	04.02	8
272836	02.33	24	411311	01.05	3	497017	04.02	3
272836	02.34	6	414837	01.18	13	497132	04.02	11
272836	02.37	7	414837	01.20	2	497545	01.02	2
272836	02.46	6	414838	01.11	19	497546	01.02	3
272836	05.01	32	414838	01.15	15	560136	04.11	9
272836	06.03	13	414838	01.23	11	560173	02.27	5
272836	06.05	4	414838	02.33	12	563728	04.12	13
272836	06.08	27	430585	01.14	9	56393R	04.11	11
273288	02.55	17	431065	01.05	26	564014	05.01	16
273460	04.01	12	431089	01.14	8	56436R	04.11	8
273754	02.25	5	432142	01.05	27	564446	04.11	15
273779	02.47	22	432142	02.01	3	564447	04.11	3
274246	01.14	18	433232	01.14	16	564448	04.11	4
274350	05.01	11	434541	01.18	20	564489	04.11	16
274370	04.12	7	434541	05.01	21	56449R	02.25	1
277916	01.05	21	434541	06.05	2	56450R	04.11	1
277916	01.07	9	434541	06.06	17	56458R	04.12	1
277916	01.18	25	434885	01.13	9	564611	04.01	6
285536	01.23	17	435629	01.10	2	564629	01.18	22
285846	01.10	10	436438	01.10	7	56475R	04.01	1
287223	02.26	17	436695	01.18	6	564761	05.01	34
287223	02.26	20	436698	02.31	27	564761	06.08	23
287913	01.18	4	436698	02.31	31	564836	05.01	22
288245	02.37	11	436947	01.42	19	564878	04.01	17
288474	01.23	19	463195	02.47	18	575249	02.26	2
289731	01.15	17	478115	01.05	6	575249	02.26	9
289731	01.18	23	478115	01.07	10	575249	02.27	8
290860	06.08	4	478985	01.15	4	575249	02.30	2
291017	06.08	12	479515	01.21	7	575249	02.31	43
292022	06.03	2	479882	02.33	15	575249	02.31	52
292022	06.03	9	479986	01.18	27	575249	02.33	2
292022	06.04	14	479986	01.23	8	575249	02.34	4
292507	06.08	4	480853	01.10	3	575268	02.31	38
292823	02.31	4	482282	01.42	4	575268	02.32	15
292889	06.01	5	483226	01.14	3	575551	02.34	11
293154	02.34	13	483711	01.10	6	576542	02.47	4
293591	04.02	23	483767	01.05	19	576546	02.47	3
293717	02.26	23	483785	01.05	14	576668	02.37	10
293717	02.26	29	483914	01.10	9	577237	02.27	7
293845	06.06	12	483918	01.18	10	577492	02.39	3
294353	06.03	10	484034	01.05	11	577594	06.08	16
294353	06.03	3	484123	01.11	10	58099R	06.05	6
294770	02.34	12	484123	06.08	29	58115R	06.05	8
295590	02.31	13	4847395	01.11	1	58120R	06.06	9
295590	02.31	20	4847405	01.11	4	58142R	01.20	1
295591	02.31	17	484819	01.11	2	581440	06.08	4
295591	02.31	22	484819	01.11	5	58170R	02.55	11
295788	02.25	16	485047	01.05	24	581904	06.03	15
295789	02.25	17	485080	01.19	3	581904	06.03	17
296170	06.04	11	485655	01.05	18	582153	06.05	11
296456	02.39	2	485703	01.25	14	582172	06.08	21
297027	01.10	18	485868	01.18	14	58223R	01.21	1
297027	01.10	22	486075	01.23	14	582298	02.25	4
297498	02.26	14	486081	01.05	13	582469	04.11	7
297498	02.26	24	486324	01.13	10	582787	04.02	20
297498	02.31	26	486324	01.14	15	582850	02.25	7
297498	02.31	30	486343	01.11	7	582851	02.25	8
297498	03.02	6	486974	01.11	15	582922	02.33	14
297498	03.02	7	487211	01.25	7	583158	06.05	9
297498	06.03	20	487665	01.42	6	583236	06.06	10
298729	06.08	26	487832	01.11	11	583332	06.04	13
307166	05.01	14	487833	01.11	14	583921	06.05	10
315092	02.31	15	487936	01.14	13	584002	06.03	11
315092	02.31	23	487989	01.12	7	584002	06.03	4

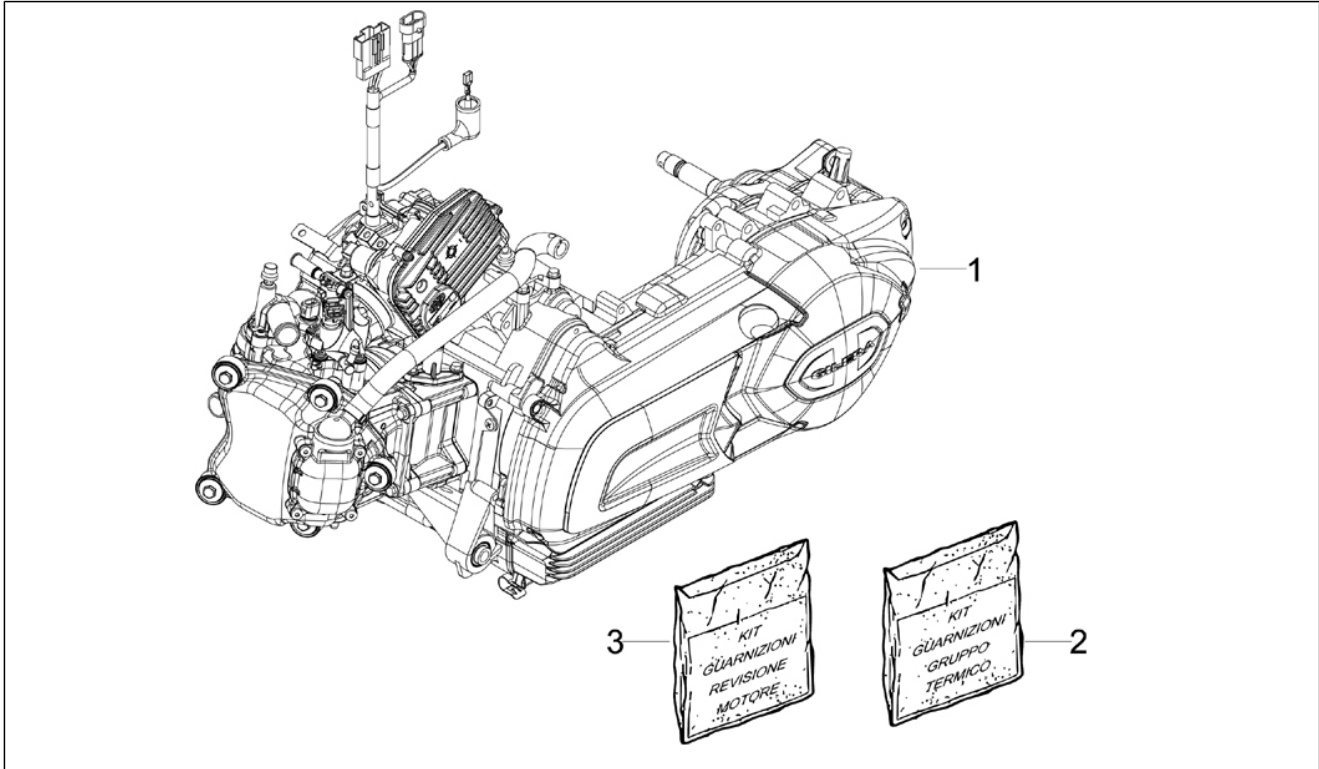
Code	No. table	Pos.	Code	No. table	Pos.	Code	No. table	Pos.
584305	06.05	7	62450300XN2	02.26	1	649662	03.06	18
584332	06.04	6	624504000G	02.32	7	649910	04.11	2
584332	06.04	9	624505000G	02.32	16	649911	04.11	5
584486	06.03	1	624514	02.33	11	650226000G	02.33	1
584520	06.08	31	624515	02.33	13	65022600XN2	02.33	1
584747	06.03	8	624516	02.46	3	650467	02.33	5
584772	06.06	16	624517	02.46	7	650469	02.33	26
584826	06.01	2	624518000G	02.30	1	650598	04.11	13
584843	06.08	14	624519000G	02.32	29	650599	04.12	2
584877	02.37	17	624640	02.33	7	650755	04.01	21
584884	02.37	12	624824	02.34	7	650904	04.01	11
584906	06.03	5	624834	02.37	1	651027	04.01	15
584907	06.03	12	638534	02.46	9	652631000G	03.01	2
597079	04.01	5	638696	06.03	1	652632000G	03.01	3
597080	04.01	7	638697	06.03	8	652802	01.15	13
597081	04.01	18	638698	06.03	5	652848000C	02.26	22
597230	04.01	16	638699	06.03	12	652849000C	02.26	28
597374	04.01	2	638792	06.08	22	652976	02.33	17
597374	04.01	4	639110	06.06	1	653372	02.45	5
597502	04.01	3	639338	06.04	10	653905	02.34	1
597528	04.12	12	639338	06.04	7	653906	02.34	18
597564	01.21	2	639477	06.03	14	65413100EU	02.31	11
597565	04.12	9	639478	06.03	16	65413200EU	02.31	18
597679	04.11	14	639542	06.01	4	654149	02.45	6
597679	04.12	10	639632	01.42	14	654154	02.55	23
598921	05.01	25	639663	03.02	4	6541635	03.06	1
599269	04.02	15	639669	06.04	8	654171	02.45	4
599270	04.02	16	639670	06.04	5	654840	02.37	9
599284	02.26	18	639687	01.12	8	655357	02.47	10
599421	04.02	5	639764	06.08	20	655358	02.47	13
599735	02.37	4	639806	01.42	13	655537	02.47	15
599931	04.02	18	639843	06.08	30	655539	02.47	11
600269	04.02	10	640012	01.20	3	655554	03.06	2
600270	04.02	4	640485	01.10	14	6555945	02.01	1
600475	03.06	11	640519	02.47	2	656435	02.55	22
600475	03.06	8	640615	06.06	3	656527	02.27	1
600478	03.06	12	640709	06.08	1	656528	02.55	14
600478	03.06	9	640727	03.06	14	656665000G	02.31	36
6009215	04.02	19	640963	06.08	2	656666000G	02.31	35
601307	04.02	9	641219	06.06	14	657049	02.33	19
601308	04.02	7	641487	03.02	1	666284	04.12	2
601309	04.02	6	641507	06.04	1	666380	04.11	13
601310	04.02	12	641541	01.23	13	667759	03.06	13
601312	04.02	2	641551	01.23	9	667760	03.06	19
601870	04.11	4	641654	06.06	4	671338	02.38	5
601874	04.12	2	642032	06.01	1	672200	02.38	6
620365	02.26	26	642889	03.02	2	673243	03.06	22
620737	02.55	3	647078	05.01	2	67398200YE1	02.26	13
621365	02.55	20	647078	05.01	24	673983	02.38	1
621369	02.31	29	647438	04.02	1	673984	02.31	59
621370	02.31	25	647473	02.25	11	673985	02.31	54
621618	02.31	56	647524	04.10	1	67398600C1	02.39	1
621940	02.27	4	647595	02.25	12	67398600C2	02.39	1
622156	02.37	6	647610	04.10	11	673987	02.38	2
623673	02.55	2	647621	04.10	13	673988	02.38	3
623743	02.47	21	647695	05.01	30	674078	02.46	1
624002	02.47	19	647789	04.12	8	674370	02.38	4
624098	02.34	15	647799	05.01	29	675631	02.27	1
624167000G	03.01	1	647872	04.01	19	680087	06.08	1
624168000G	03.01	11	647885	04.11	6	709047	02.39	6
624369	02.26	8	648068	02.39	4	709047	04.10	9
62436900BM	02.26	8	649162	05.01	28	709047	04.12	4
62436900XR4	02.26	8	649163	04.12	6	709047	05.01	26
624376000G	06.03	21	649553	05.01	6	709047	05.01	4
624377000G	06.03	7	649554	05.01	7	709099	02.33	6
624503	02.26	1	649619	04.02	17	709110	05.01	9
62450300BM	02.26	1	649661	03.06	17	709532	01.36	4



Code	No. table	Pos.	Code	No. table	Pos.	Code	No. table	Pos.
709646	05.01	8	840193	01.13	6	875112	01.07	8
709674	02.46	10	840344	01.18	12	875113	01.07	8
82518R	01.14	4	840504	01.23	12	875114	01.07	8
82545R	04.10	5	840507	01.23	21	8751155	01.42	1
825758	04.12	3	840533	01.13	8	875694	01.36	2
825952	01.18	9	8410015	01.25	11	8759585	01.11	8
826165	01.23	16	842090	01.15	9	876153	01.14	14
826298	04.10	8	842093	01.15	10	876367	01.07	5
82635R	01.23	20	842204	01.13	3	876457	01.07	1
8263885	01.42	7	842360	01.10	11	8764580001	01.07	2
82649R	01.18	15	842385	01.21	9	8764580002	01.07	2
82650R	01.18	18	842389	01.23	6	8764580003	01.07	2
82659R	01.25	3	842390	01.19	9	8764580004	01.07	2
827085	01.05	23	842419	01.42	10	877076	01.42	2
82723R	01.18	7	842420	01.42	11	877136	01.12	6
82737R	01.20	4	8427035	01.20	5	877285	01.05	2
827526	01.42	5	842908	01.42	3	877308	01.11	12
82753R	01.14	5	843028	01.13	4	877309	01.11	9
82782R	01.18	11	843364	01.18	26	877528	01.19	1
827831	01.45	8	843568	01.23	18	878626	01.19	4
82783R	01.18	8	844049	01.14	17	878647	01.14	2
828021	02.47	14	844094	01.12	9	878651	01.14	7
82817R	01.11	3	844483	04.10	15	8786935001	01.05	1
82817R	01.11	6	844582	01.05	12	8786935002	01.05	1
828217	01.13	12	844730	01.23	2	878940	01.19	7
82831R	01.10	20	8447595	01.23	4	8798315	01.23	1
828421	01.12	5	8449404	01.42	8	8800501	01.10	1
828480	01.10	8	844964	01.15	16	880650	01.11	13
828662	01.19	2	845605	01.10	17	880651	01.11	17
828717	01.14	6	845753	01.10	19	880950	01.13	7
82878R	01.05	9	845861	01.05	25	959263	02.47	12
828863	06.06	2	846096	01.18	21	959465	02.46	8
828961	05.01	27	846098	01.18	24	969224	02.01	6
82897R	01.23	5	847116	01.18	17	975031	02.55	1
8290405	01.23	7	847516	01.18	16	9750395	02.01	2
8291395	01.11	16	847645	02.47	6	975043	02.32	13
829206	01.25	2	847679	01.21	6	97504300BM	02.32	13
829258	01.45	3	847928	01.18	19	97504300XN2	02.32	13
829259	01.45	2	847929	01.18	2	97504400BM	02.32	20
82941R	01.13	5	847931	01.25	9	97504400XN2	02.32	20
82948R	01.18	1	848039	04.12	11	975051000G	02.26	4
82952R	01.21	8	848168	01.10	21	97505600BM	02.32	10
829534	01.12	1	8481875	01.25	1	97505600XN2	02.32	10
829536	01.12	4	848452	01.42	18	975057	02.32	19
829543	01.45	9	848724	01.20	6	97505700BM	02.32	19
829593	01.18	3	848864	01.45	11	97505700XN2	02.32	19
829661	01.05	17	849125	04.10	4	975059000G	02.31	1
82991R	01.23	3	849480	01.13	2	975061	02.32	21
830015	01.45	10	8494905	01.21	5	97506100BM	02.32	21
830056	01.15	14	871458	01.15	5	97506100XN2	02.32	21
830056	01.45	6	8714725	01.15	1	975062000G	02.31	57
830056	04.01	20	871805	01.45	1	975063000G	02.31	49
830057	01.45	5	872269	01.36	6	975064000G	02.32	1
830061	01.05	20	872635	01.12	2	97506400XN2	02.32	1
83018R	01.05	5	872999	01.10	5	975072	03.01	17
83018R	01.25	5	873009	01.10	4	975072000G	03.01	17
830249	01.12	3	873034	01.21	4	975077	03.01	15
832130	01.05	22	8732885	01.36	5	975077000G	03.01	15
833673	01.14	12	873351	01.25	4	975153	02.47	1
833674	01.14	11	873389	01.15	8	975176000G	02.32	24
833701	01.05	8	8738755	01.25	12	975177000G	02.32	25
833722	01.18	5	873980	01.25	6	97549500EU	02.31	34
833989	01.13	11	874958	01.07	3	97549600EU	02.31	33
834044	01.14	10	874960	01.07	4	975500000G	02.31	7
834187	01.42	17	875005	01.07	7	975501000G	02.31	8
834266	01.15	7	875096	01.07	6	975502000G	02.31	45
834951	01.42	12	875111	01.05	15	975503000G	02.31	42

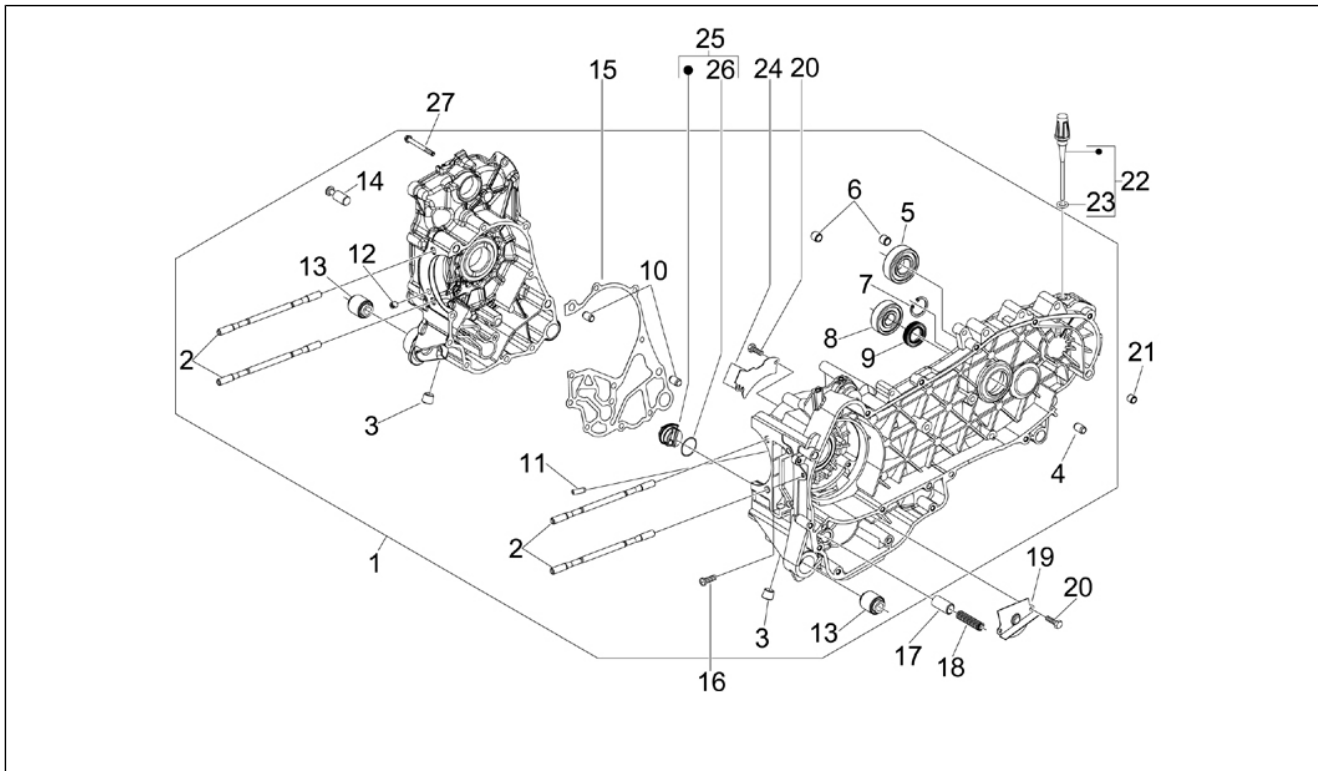
Code	No. table	Pos.	Code	No. table	Pos.
975506000G	02.30	6	CM017410	02.31	44
975508000G	02.26	10	CM017410	02.31	50
975558	02.31	12	CM017410	02.32	12
975559	02.31	19	CM017410	02.32	18
975587	02.34	20	CM017410	02.32	23
975592	02.55	8	CM017410	02.32	27
975662	02.31	55	CM017410	02.32	9
975674000G	02.30	8	CM017410	02.33	21
975683	04.02	22	CM017410	02.33	22
975685	03.01	9	CM017410	02.34	17
975686	03.01	10	CM017410	03.01	14
975693	05.01	10	CM017410	03.01	21
975696	02.55	6	CM023701	02.46	5
975715	03.01	16	CM067805	04.01	10
975725	02.26	15	CM067806	04.01	21
975726	02.26	16	CM068301	05.01	1
975747	02.34	19	CM068304	05.01	23
975749	06.05	3	CM071801	06.05	1
975750	02.27	10	CM081202	03.06	7
975760000G	02.27	2	CM081203	03.06	10
975826	02.31	47	CM081702	01.36	1
975832	03.01	8	CM084802	01.36	1
975840	02.32	14	CM144135	01.14	1
975841	02.32	4	CM144408	01.13	1
975850	02.31	39	CM155103	01.15	12
975855	02.31	37	CM1583325	01.02	1
975856	02.27	3	CM1583495	01.02	1
975858500G	03.01	6	CM162202	01.25	8
975859500G	03.01	4	CM175005	02.45	3
AP8152302	02.33	4	CM175006	02.45	2
B0139460001	01.06	1	CM175101	02.33	18
B0139460002	01.06	1	CM179301	02.55	12
B014356	01.42	9	CM179301	02.55	15
B016807	01.10	13	D9004468231	02.27	9
B016807	01.23	10			
B0168885	01.25	10			
B017342	01.07	11			
B018147	01.10	15			
CM001904	01.12	10			
CM001904	01.12	11			
CM001904	01.19	6			
CM001904	01.19	8			
CM001909	02.55	24			
CM001910	02.47	17			
CM001914	02.55	5			
CM001920	02.47	16			
CM001921	02.55	7			
CM001922	01.19	5			
CM001922	02.55	27			
CM002910	01.45	7			
CM006902	06.08	17			
CM006903	02.55	28			
CM006903	06.08	18			
CM006904	01.12	12			
CM006904	06.08	19			
CM006905	02.47	20			
CM006906	06.08	6			
CM006908	06.08	5			
CM007007	02.55	4			
CM012827	05.03	1			
CM017405	06.08	7			
CM017409	02.34	3			
CM017410	02.26	12			
CM017410	02.26	7			
CM017410	02.30	5			
CM017410	02.31	10			
CM017410	02.31	3			

<b>Group</b>	Engine
<b>Code</b>	01.02
<b>Description</b>	Engine, assembly
<b>Service</b>	1



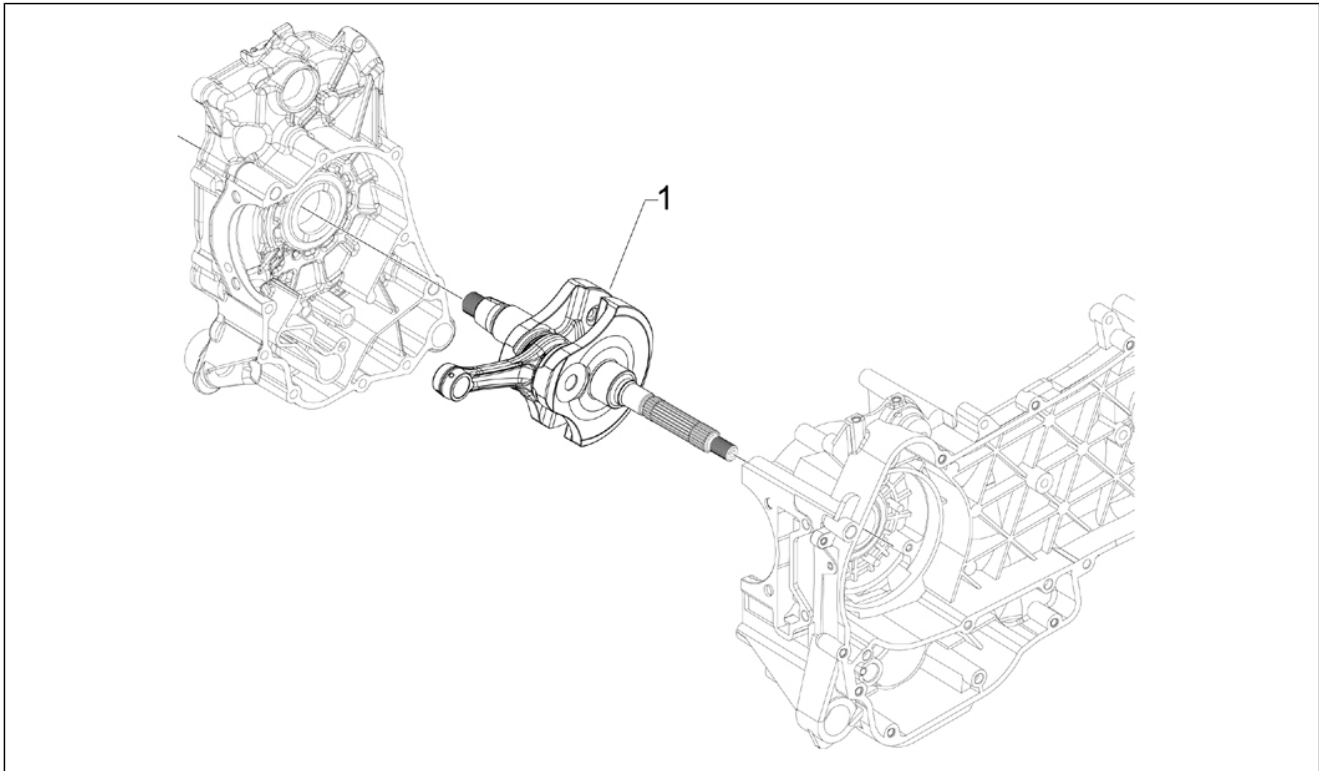
Pos.	Code	Description	Qty	Variants
1	CM1583325	Engine cpl.	1	<b>Technical specification:</b> MIU G2 control unit[MG2]
1	CM1583495	Engine cpl.	1	<b>Technical specification:</b> MIU G3 control unit[MG3]
2	497545	Cylinder gasket kit	1	
3	497546	Engine set gasket	1	

<b>Group</b>	Engine
<b>Code</b>	01.05
<b>Description</b>	Crankcase
<b>Service</b>	1



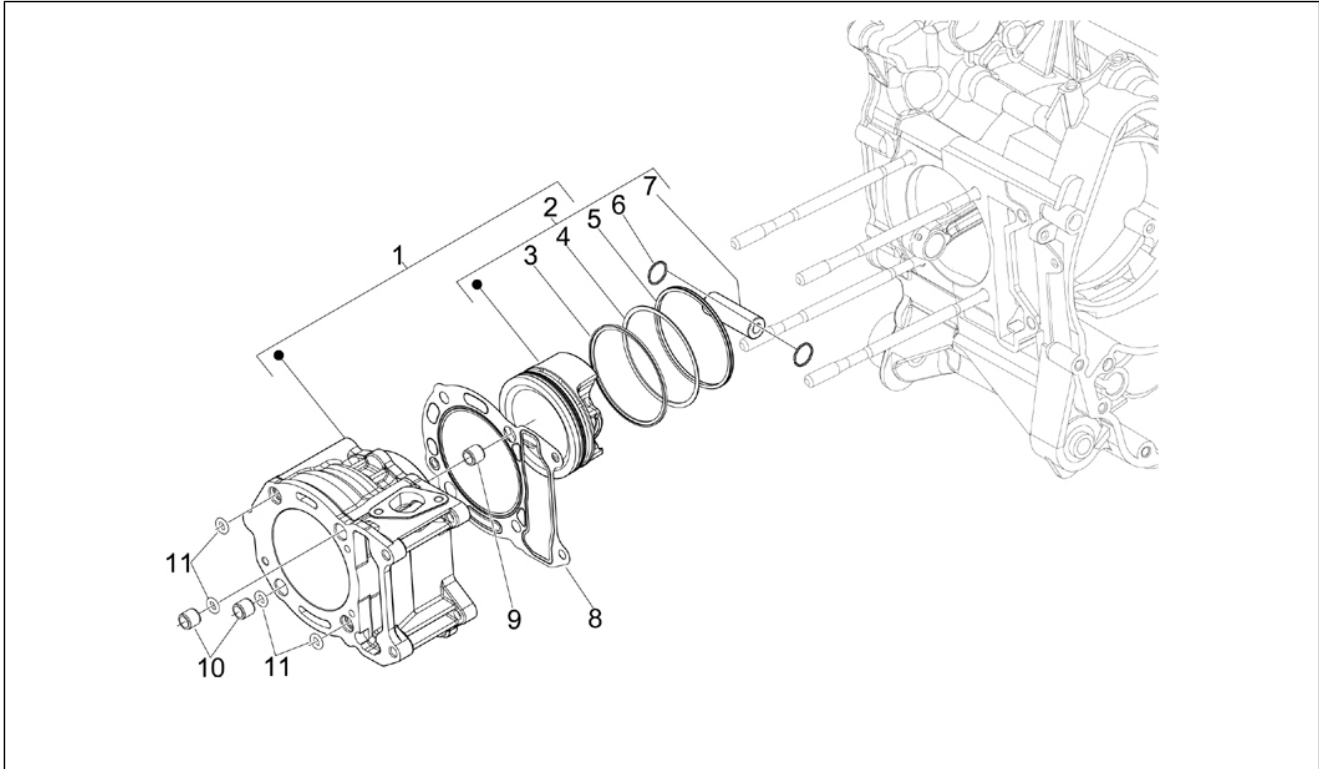
Pos.	Code	Description	Qty	Variants
1	8786935001	Crankcase assembly Cat.1	1	
1	8786935002	Crankcase assembly Cat.2	1	
2	877285	Stud bolt	4	
3	411311	Plug	2	
4	239388	Pin 6,5x9,5x15	2	
5	83018R	Radial ball bearing 15x42x13	2	
6	478115	Locating dowel Ø11xØ8,1x10	2	
7	000674	Circlip 25x26.9x1.2	1	
8	833701	Radial ball bearing 20x47x14	1	
9	82878R	Gasket ring 20-32-7	1	
10	239388	Pin 6,5x9,5x15	2	
11	484034	Nozzle	1	
12	844582	Nozzle D 1.1	1	
13	486081	Silent-block	2	
14	483785	Springs fixing pin	1	
15	875111	Gasket	1	
16	018575	Screw M5x10	1	
17	829661	Oil pressure valve	1	
18	485655	Spring	1	
19	483767	Lower oil bulkhead	1	
20	830061	Screw w/ flange M5x16	4	
21	277916	Locating dowel	2	
22	832130	Complete oil level dipstick	1	
23	827085	Gasket ring 14,43x9,19x2,62	1	
24	485047	Upper oil bulkhead	1	
25	845861	Filter door insert	1	
26	431065	Gasket	1	
27	432142	screw M6x60	10	

<b>Group</b>	Engine
<b>Code</b>	01.06
<b>Description</b>	Crankshaft
<b>Service</b>	1



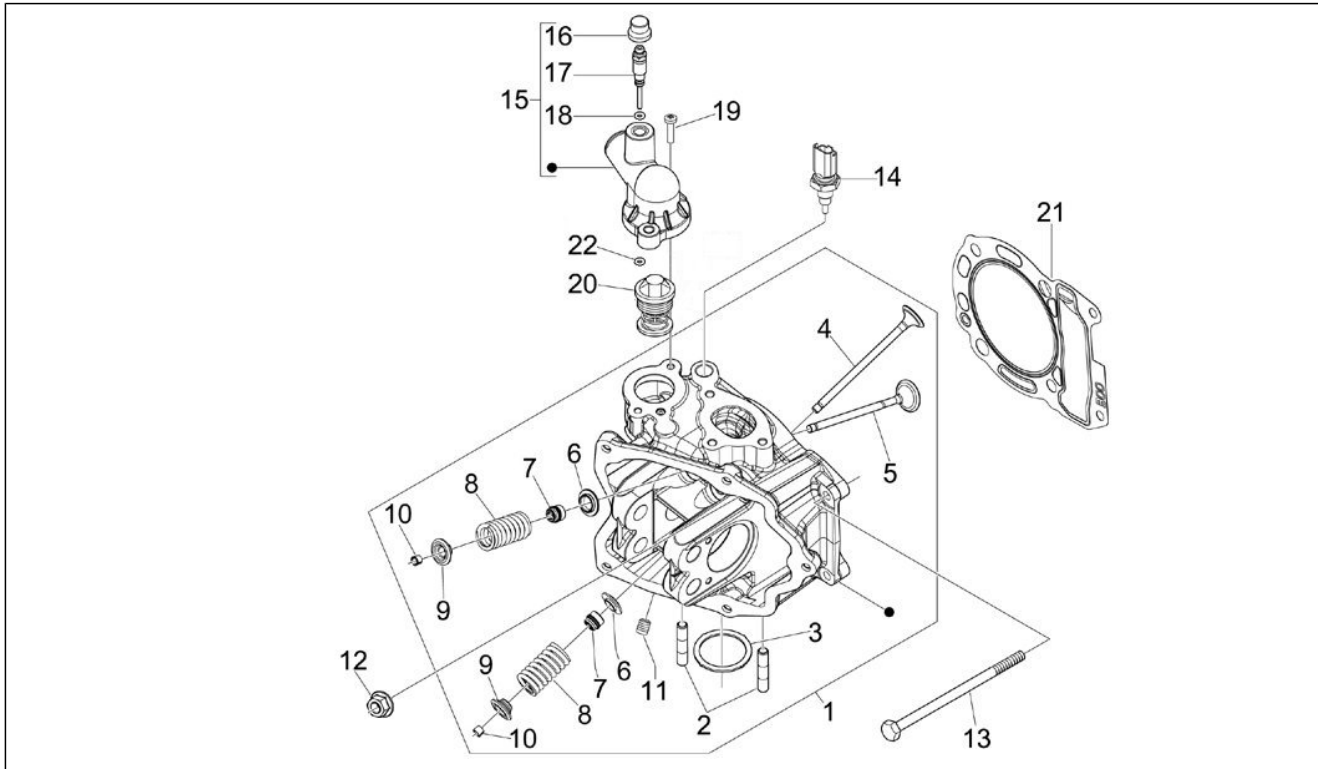
Pos.	Code	Description	Qty	Variants
1	B0139460001	Crankshaft assembly Cat.1	1	
1	B0139460002	Crankshaft assembly Cat.2	1	

<b>Group</b>	Engine
<b>Code</b>	01.07
<b>Description</b>	Cylinder-piston-wrist pin unit
<b>Service</b>	1



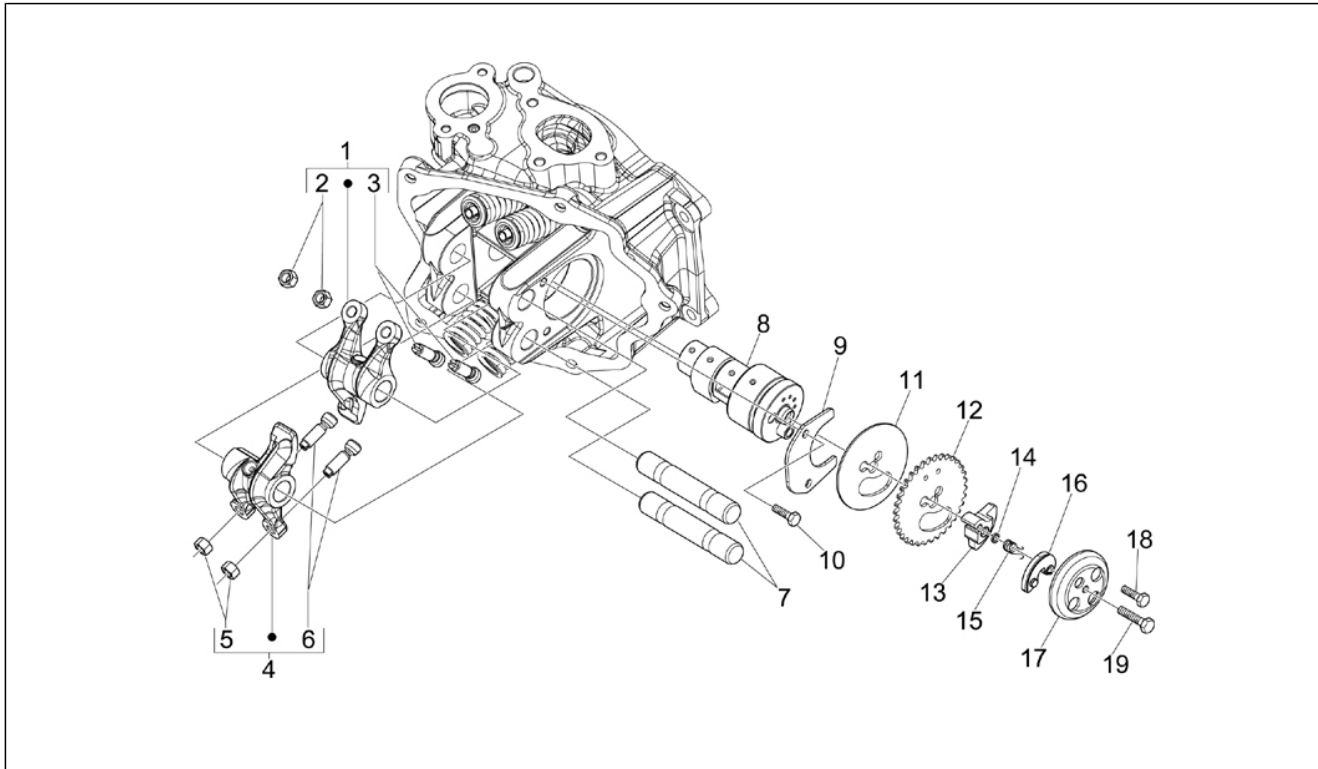
Pos.	Code	Description	Qty	Variants
1	876457	Cyl.pist.-wrist pin assy unit	1	
2	8764580001	Piston + piston pin Cat.1	1	
2	8764580002	Piston + piston pin Cat.2	1	
2	8764580003	Piston + piston pin Cat.3	1	
2	8764580004	Piston + piston pin Cat.4	1	
3	874958	Compression ring $\varnothing$ 75x1,5	1	
4	874960	Oil scraper ring $\varnothing$ 75x1,2	1	
5	876367	Oil scraper ring $\varnothing$ 75x2,5	1	
6	875096	Snap ring	2	
7	875005	Piston pin	1	
8	875112	Cylinder base gasket 0,4 mm	1	
8	875113	Cylinder base gasket 0,6 mm	1	
8	875114	Cylinder base gasket 0,8 mm	1	
9	277916	Locating dowel	1	
10	478115	Locating dowel $\varnothing$ 11x $\varnothing$ 8,1x10	2	
11	B017342	O-ring	4	

<b>Group</b>	Engine
<b>Code</b>	01.10
<b>Description</b>	Head unit - Valve
<b>Service</b>	1



Pos.	Code	Description	Qty	Variants
1	8800501	Complete cylinder head leader 300cc.	1	
2	435629	Stud bolt M7	2	
3	480853	Exhaust pipe gasket	1	
4	873009	Exhaust valve	2	
5	872999	Intake valve	2	
6	483711	Lower cap	4	
7	436438	Valve gasket ring	4	
8	828480	Spring	4	
9	483914	Upper cap	4	
10	285846	Valve half-cone	8	
11	842360	Plug M6x10	1	
12	411296	Nut M8x1,25	4	
13	B016807	screw M6x112,5	2	
14	640485	Temperature gauge	1	
15	B018147	Thermostat cover	1	
16	063435	Bleed valve cap	1	
17	845605	Bleed screw	1	
18	297027	Gasket	1	
19	845753	Hex socket screw M5x20	2	
20	82831R	Thermostat	1	
21	848168	Cylinder head gasket 0,3mm	1	
22	297027	Gasket	1	

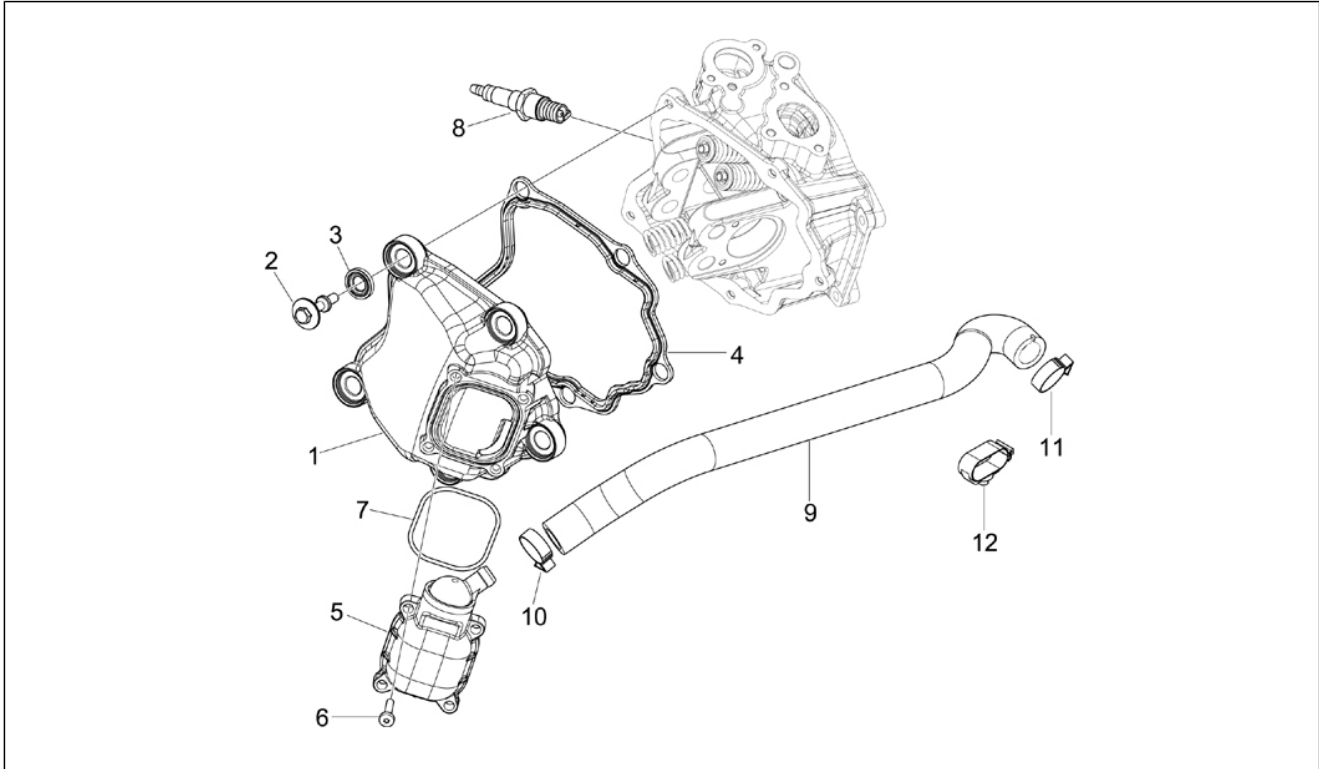
<b>Group</b>	Engine
<b>Code</b>	01.11
<b>Description</b>	Rocking levers support unit
<b>Service</b>	1



Pos.	Code	Description	Qty	Variants
1	4847395	Complete intake side rocker	1	
2	484819	Nut	2	
3	82817R	Adjuster screw	2	
4	4847405	Rocker arm assy., exhaust	1	
5	484819	Nut	2	
6	82817R	Adjuster screw	2	
7	486343	Rocker arms axis	2	
8	8759585	Camshaft axle with U.P.	1	
9	877309	Camshaft plate	1	
10	484123	Screw w/ flange	2	
11	487832	Washer	1	
12	877308	Timing system gear	1	
13	880650	Decompressor counterweight	1	
14	487833	Gasket	1	
15	486974	Spring	1	
16	8291395	Decompression counterweight	1	
17	880651	Decompression bell	1	
18	018538	Hex socket screw M5x30	1	
19	414838	screw M6x35	1	

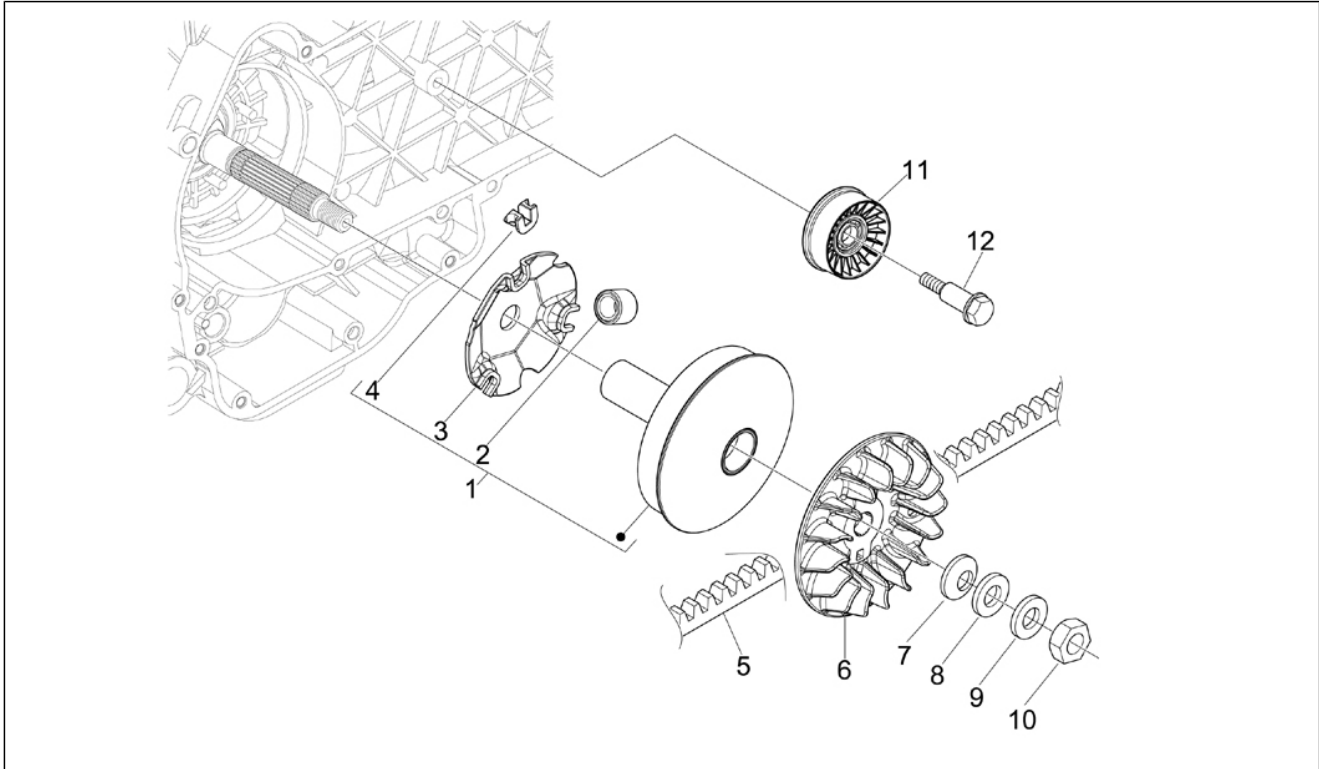


<b>Group</b>	Engine
<b>Code</b>	01.12
<b>Description</b>	Cylinder head cover
<b>Service</b>	1



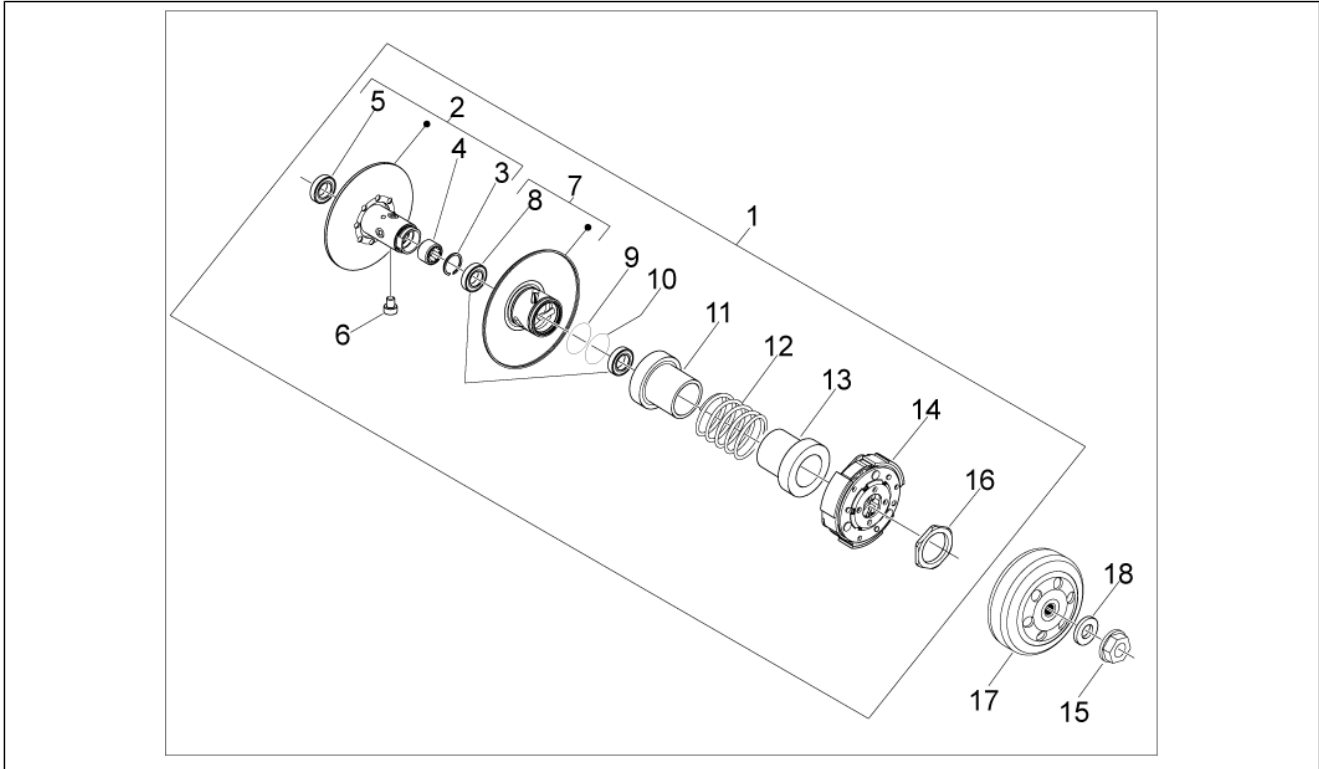
Pos.	Code	Description	Qty	Variants
1	829534	Head cover	1	
2	872635	Special screw	5	
3	830249	Damper drift	5	
4	829536	Head cover gasket	1	
5	828421	Oil breather valve	1	
6	877136	Self tapping screw M5x20	4	
7	487989	Gasket	1	
8	639687	Spark plug CR8EKB	1	
9	844094	Engine oil breather pipe	1	
10	CM001904	Hose clamp	1	
11	CM001904	Hose clamp	1	
12	CM006904	Non return spring l=27	1	

<b>Group</b>	Engine
<b>Code</b>	01.13
<b>Description</b>	Driving pulley
<b>Service</b>	1



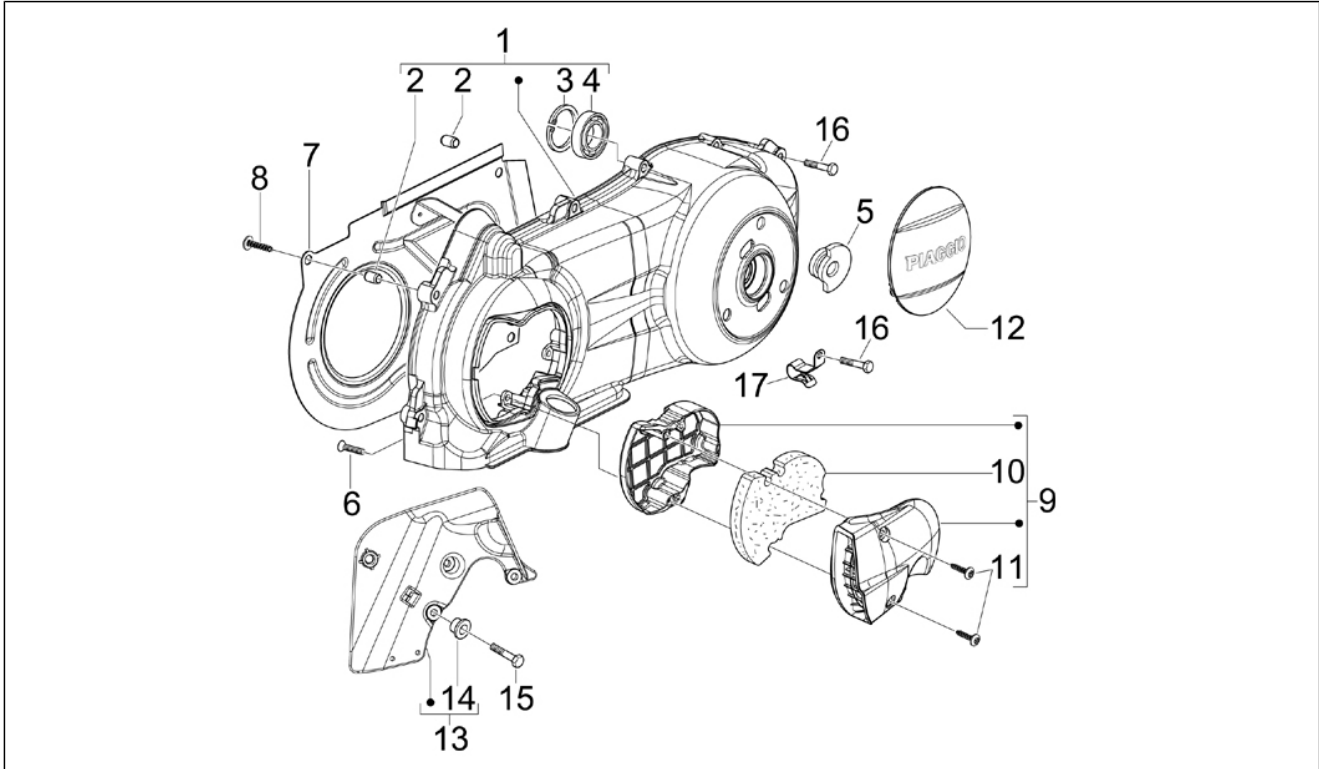
Pos.	Code	Description	Qty	Variants
1	CM144408	Complete roller housing	1	
2	849480	Pin roller	6	
3	842204	Roller contrast	1	
4	843028	Sliding block	3	
5	82941R	V-belt	1	
6	840193	Fixed pulley	1	
7	880950	Belleville spring	1	
8	840533	Flat washer 12.1x36x2	1	
9	434885	Plain washer 17x32x1	1	
10	486324	Nut M12x1.25	1	
11	833989	Toothed pulley	1	
12	828217	Special screw	1	

<b>Group</b>	Engine
<b>Code</b>	01.14
<b>Description</b>	Driven pulley
<b>Service</b>	1



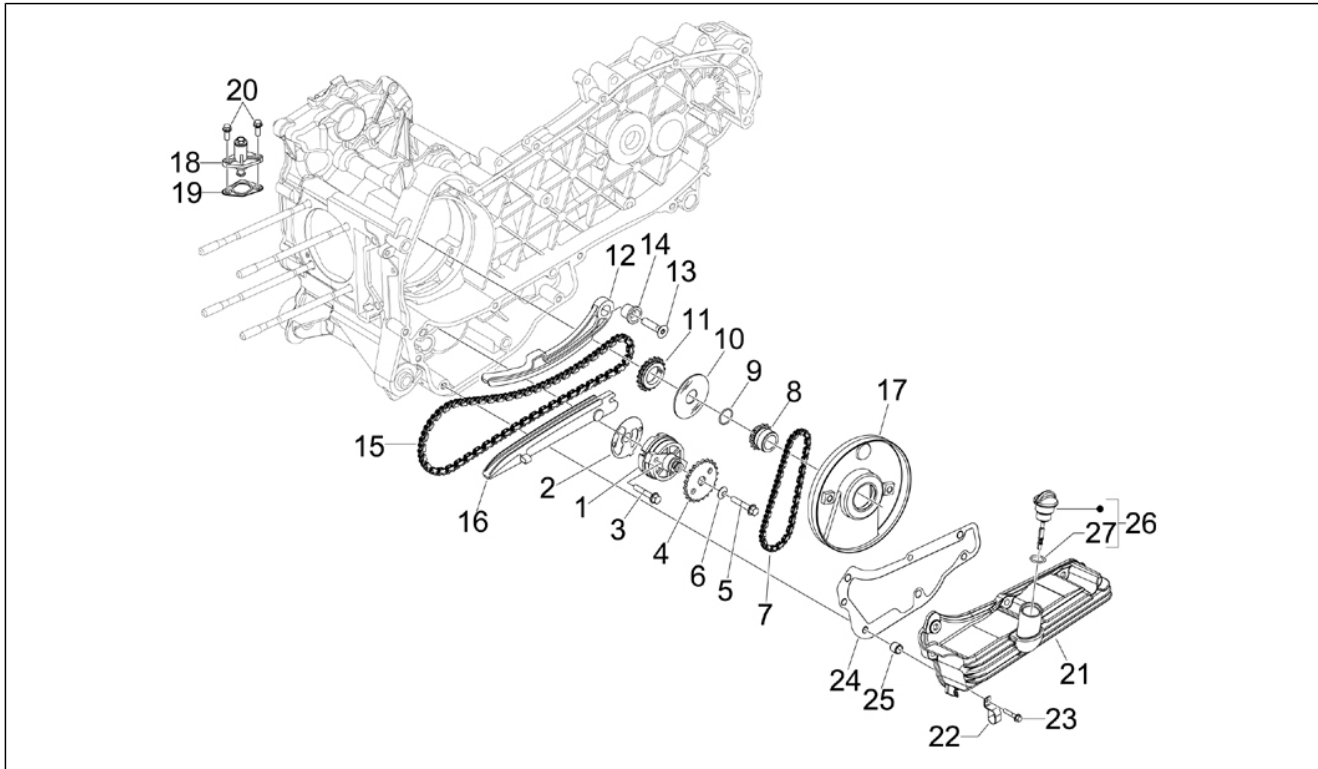
Pos.	Code	Description	Qty	Variants
1	CM144135	Clutch driven pulley assy.	1	
2	878647	Sec. fixed sheave, complete	1	
3	483226	Snap ring	1	
4	82518R	Roller cage 20x29x18	1	
5	82753R	Bearing 17x30x7	1	
6	828717	Guide pin L=12,5	4	
7	878651	Sec. sliding sheave, complete	1	
8	431089	Gasket ring	2	
9	430585	Gasket	1	
10	834044	O-ring	1	
11	833674	Cup	1	
12	833673	Variator spring	1	
13	487936	Clutch side cap	1	
14	876153	Centrifugal clutch assy	1	
15	486324	Nut M12x1.25	1	
16	433232	Ring nut	1	
17	844049	Clutch drum	1	
18	274246	Flat washer 22x12,1x1	1	

<b>Group</b>	Engine
<b>Code</b>	01.15
<b>Description</b>	Crankcase cover - Crankcase cooling
<b>Service</b>	1



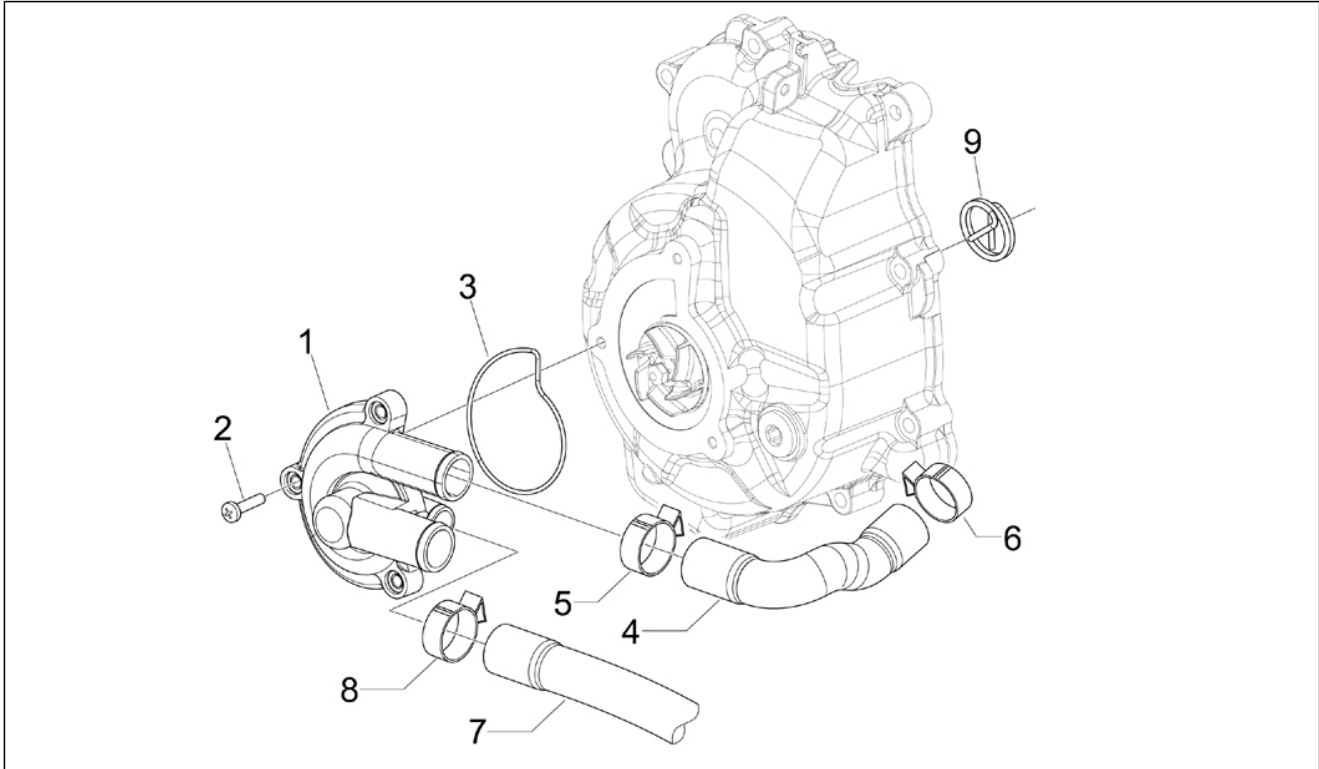
Pos.	Code	Description	Qty	Variants
1	8714725	Transmission cover with U.P.	1	
2	239388	Pin 6,5x9,5x15	2	
3	006635	Snap ring	1	
4	478985	Bearing	1	
5	871458	Mounting drift	3	
6	270793	TBCIC Screw 3,8x16	3	
7	834266	Air deflector	1	
8	873389	Self-tapping screw	1	
9	842090	Cooling Cover	1	
10	842093	Filtering element	1	
11	258146	Self-tap screw M3x20	2	
12	CM155103	Plug	1	
13	652802	Protection	1	
14	830056	Knurled bushing	3	
15	414838	screw M6x35	2	
16	844964	Hose clamp	1	
17	289731	Screw w/ flange M6x30	7	

<b>Group</b>	Engine
<b>Code</b>	01.18
<b>Description</b>	Oil pump
<b>Service</b>	1



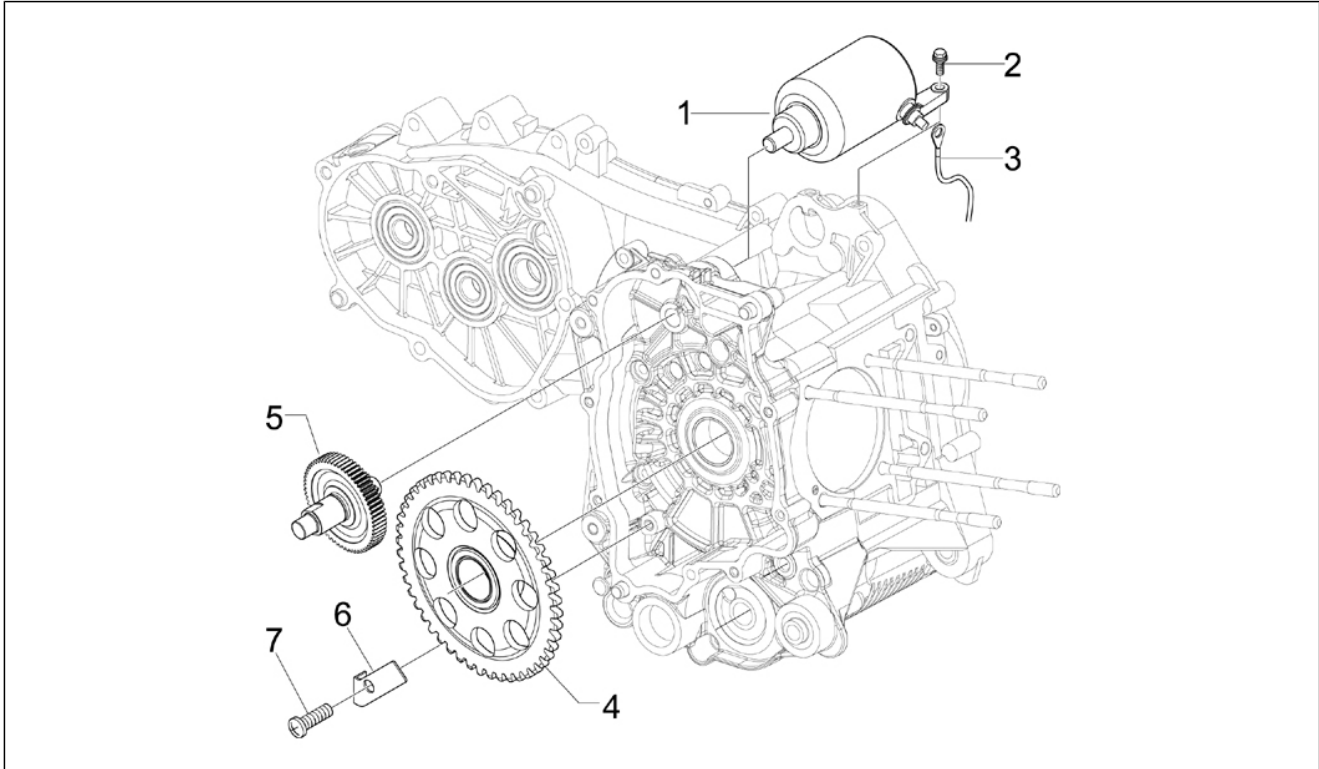
Pos.	Code	Description	Qty	Variants
1	82948R	Oil pump assembly	1	
2	847929	Carter-oil pump gasket	1	
3	829593	Screw w/ flange M5x35	2	
4	287913	Oil pump gear	1	
5	833722	Screw w/ flange M6x14	1	
6	436695	Belleville spring Ø6,4xØ20x2	1	
7	82723R	Camshaft chain	1	
8	82783R	Oil pump control pinion	1	
9	825952	Gasket ring	1	
10	483918	Oil seal washer	1	
11	82782R	Timing chain pinion	1	
12	840344	Chain tensioner rod	1	
13	414837	Screw w/ flange M6x25	1	
14	485868	Spacer	1	
15	82649R	Oil pump chain	1	
16	847516	Chain tensioner sliding block	1	
17	847116	Timing system cover	1	
18	82650R	Complete chain tensioner	1	
19	847928	Gasket	1	
20	434541	Screw w/ flange M6x16	2	
21	846096	Motor oil cup	1	
22	564629	Hose clamp	2	
23	289731	Screw w/ flange M6x30	7	
24	846098	Gasket	1	
25	277916	Locating dowel	3	
26	843364	Oil plug assembly	1	
27	479986	O-ring	1	

<b>Group</b>	Engine
<b>Code</b>	01.19
<b>Description</b>	Cooler pump
<b>Service</b>	1



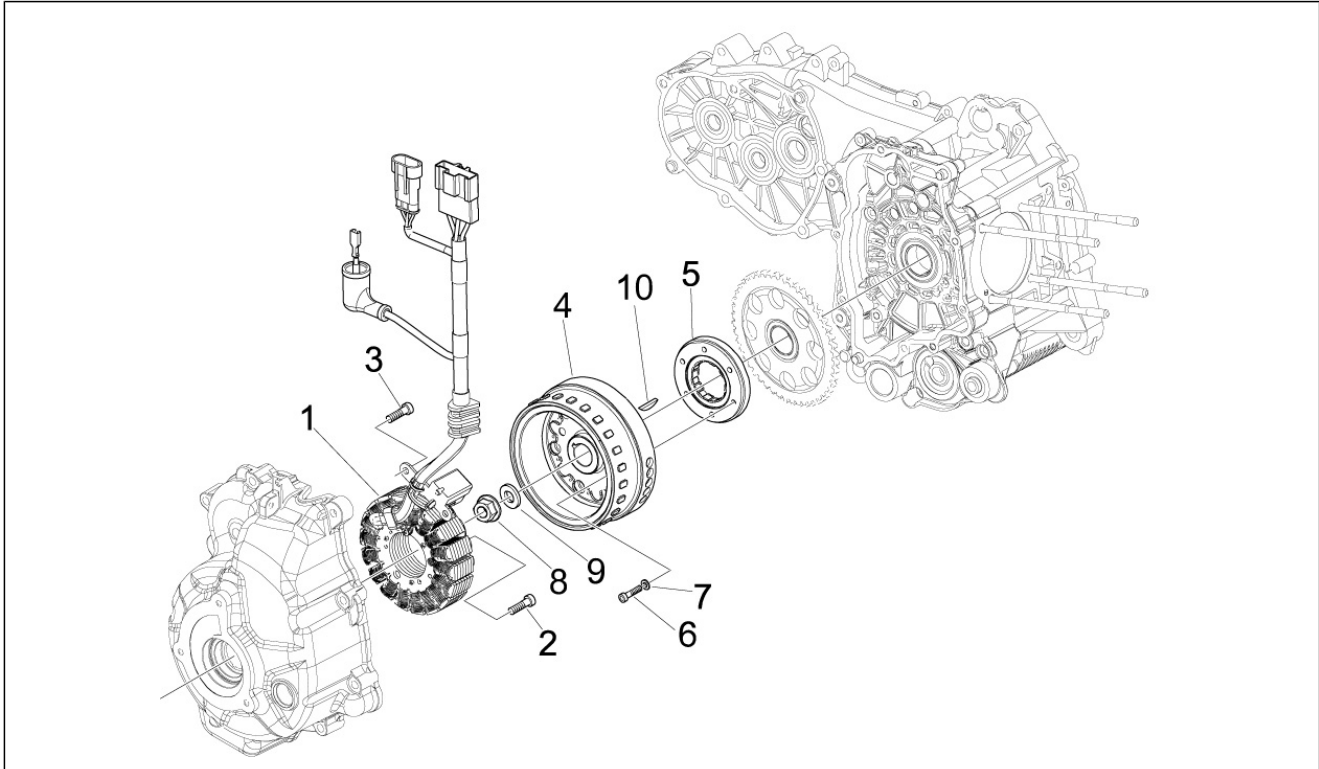
Pos.	Code	Description	Qty	Variants
1	877528	Water pump cover	1	
2	828662	Screw M5x22	3	
3	485080	O-ring	1	
4	878626	Pump-cylinder hose	1	
5	CM001922	Hose clamp	2	
6	CM001904	Hose clamp	1	
7	878940	By-pass pipe	1	
8	CM001904	Hose clamp	1	
9	842390	Drive key	1	

<b>Group</b>	Engine
<b>Code</b>	01.20
<b>Description</b>	Stater - Electric starter
<b>Service</b>	1



Pos.	Code	Description	Qty	Variants
1	58142R	Starter motor	1	
2	414837	Screw w/ flange M6x25	2	
3	640012	Starter cable	1	
4	82737R	Starter motor gear	1	
5	8427035	Starter motor gear	1	
6	848724	Ring container lamination	1	
7	008375	screw M6x14	1	

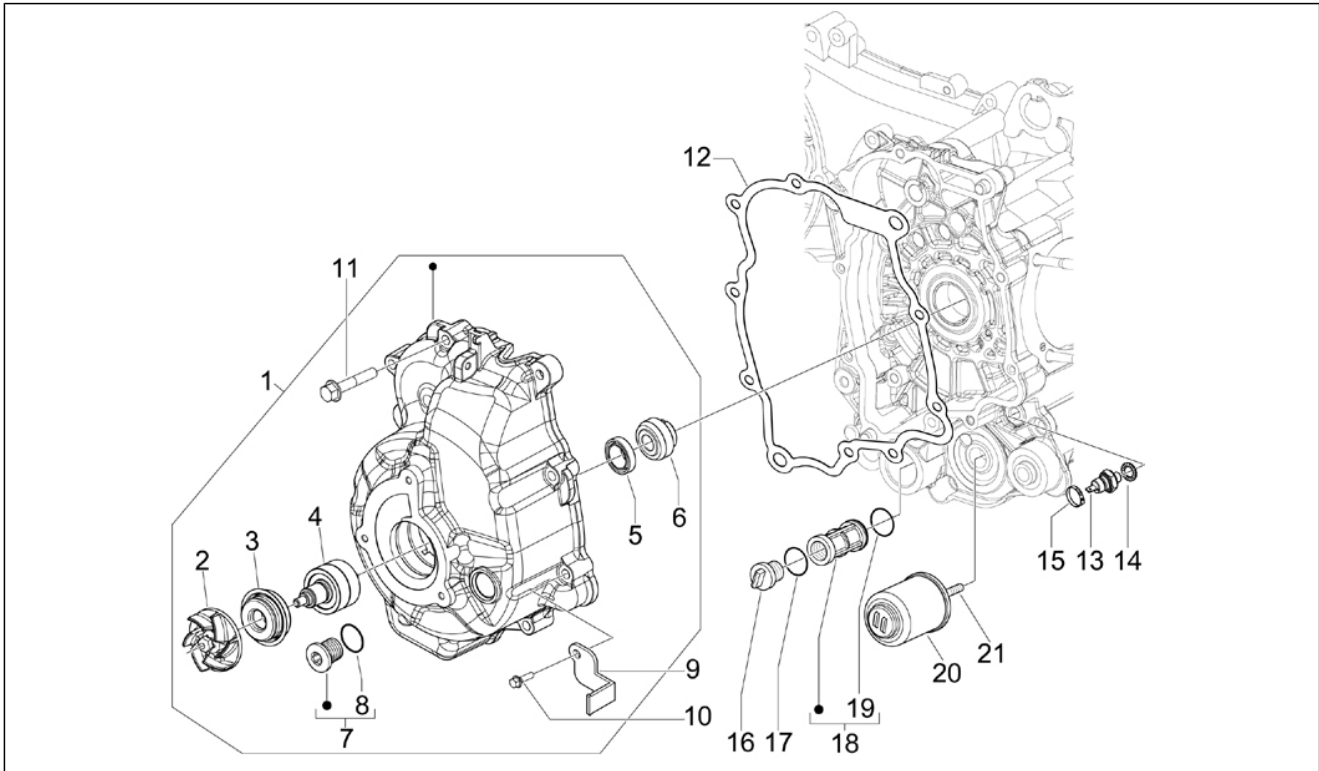
<b>Group</b>	Engine
<b>Code</b>	01.21
<b>Description</b>	Flywheel magneto
<b>Service</b>	1



Pos.	Code	Description	Qty	Variants
1	58223R	Stator	1	
2	597564	screw	3	
3	018575	Screw M5x10	2	
4	873034	Complete rotor (Kokusan)	1	
5	8494905	Complete freewheel	1	
6	847679	Hex socket screw M6x24	6	
7	479515	Break washer	6	
8	82952R	Special nut	1	
9	842385	Plain washer	1	
10	000097	Transmission key	1	

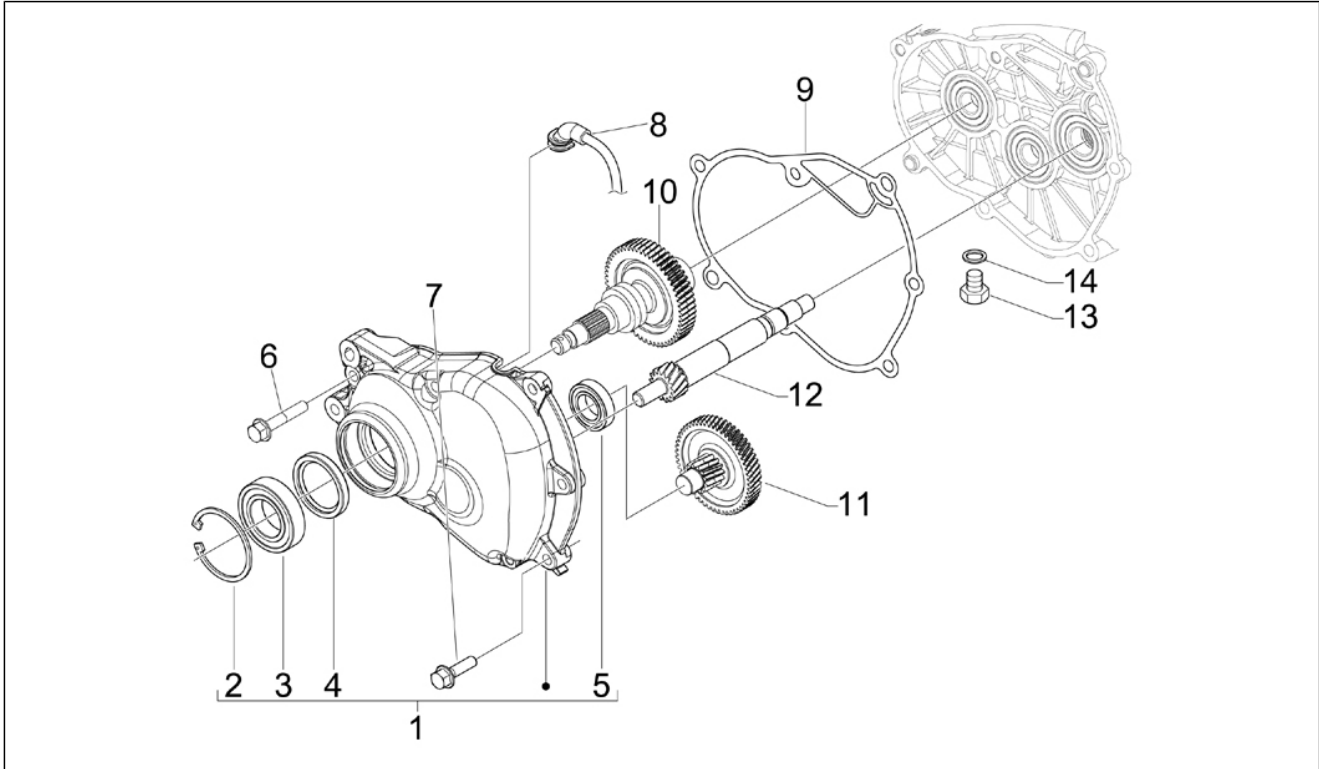


<b>Group</b>	Engine
<b>Code</b>	01.23
<b>Description</b>	Flywheel magneto cover - Oil filter
<b>Service</b>	1



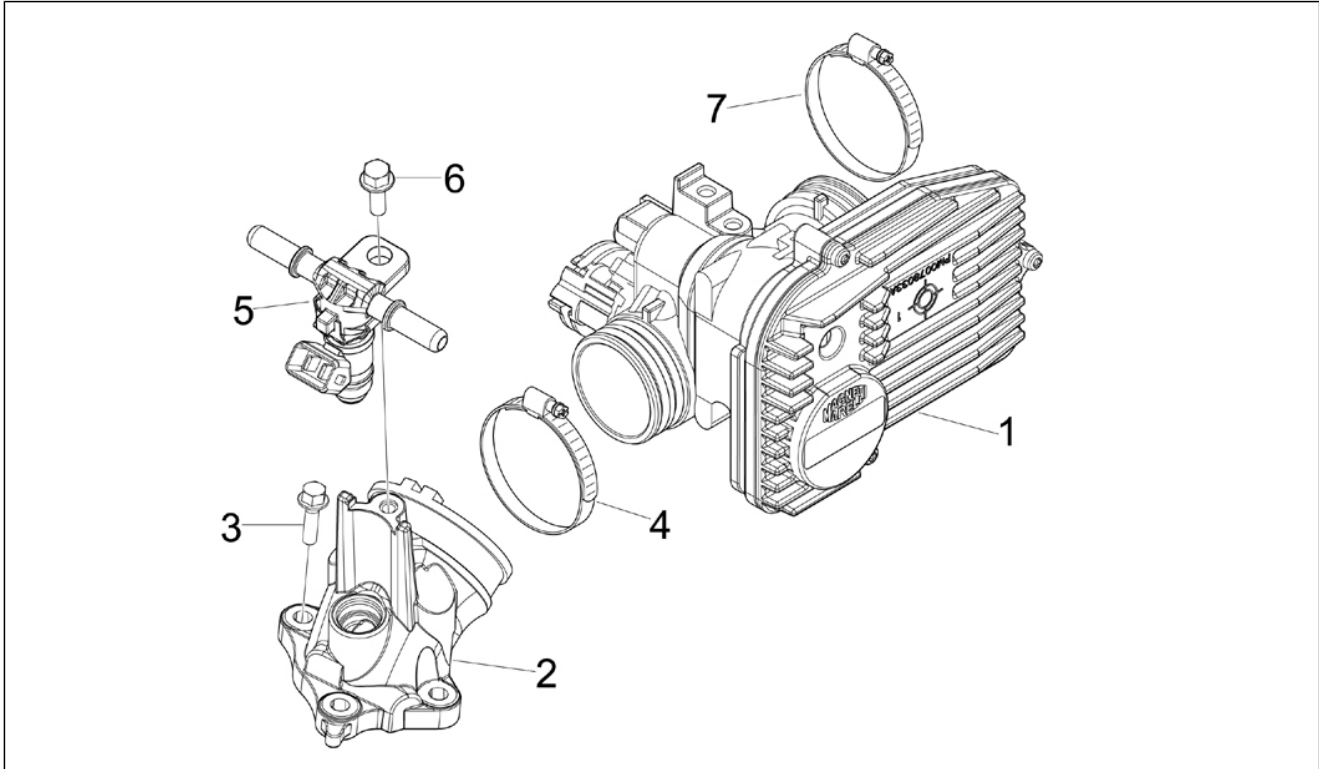
Pos.	Code	Description	Qty	Variants
1	8798315	Flywheel cover cpl.	1	
2	844730	Water pump impeller cpl.	1	
3	82991R	Gasket ring	1	
4	8447595	Water pump shaft assy.	1	
5	82897R	Gasket ring 20x30x5	1	
6	842389	Pump impeller drive key	1	
7	8290405	Timing plug assembly	1	
8	479986	O-ring	1	
9	641551	Lambda probe plate	1	
10	B016807	screw M6x112,5	1	
11	414838	screw M6x35	9	
12	840504	Flywheel housing cover gasket	1	
13	641541	Oil pressure sensor	1	
14	486075	Washer 10.5X16X2.5	1	
15	145298	Lock-strap L=180mm	1	
16	826165	Oil filter plug	1	
17	285536	O-ring 31,47x1,78	1	
18	843568	Intake oil filter	1	
19	288474	O-ring 20,35x1,78	1	
20	82635R	Oil filter	1	
21	840507	Oil filter special screw	1	

<b>Group</b>	Engine
<b>Code</b>	01.25
<b>Description</b>	Reduction unit
<b>Service</b>	1



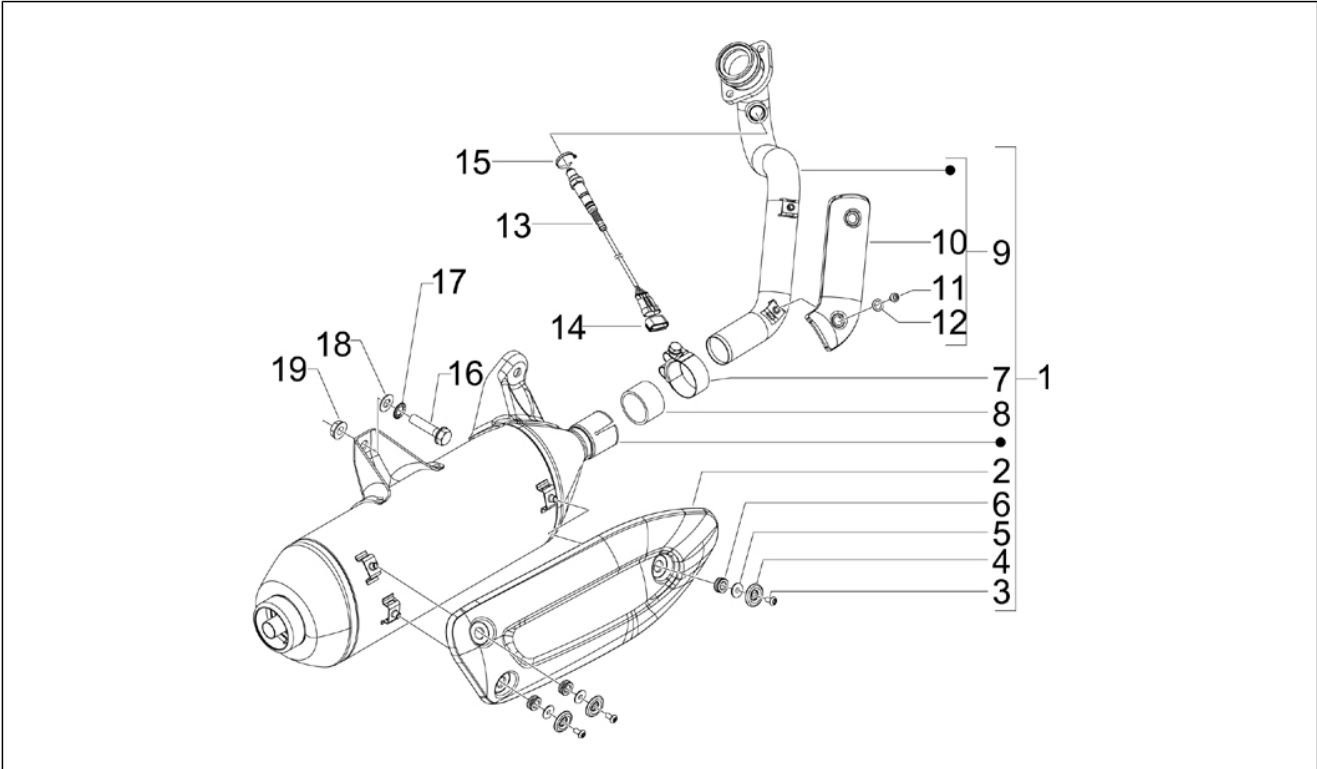
Pos.	Code	Description	Qty	Variants
1	8481875	Side cover	1	
2	829206	Circlip	1	
3	82659R	Radial bearing 30x55x13	1	
4	873351	Oil seal 38x50x7	1	
5	83018R	Radial ball bearing 15x42x13	1	
6	873980	Screw w/ flange M8x40	1	
7	487211	Screw w/ flange M8x45	6	
8	CM162202	Reduction unit breather pipe assembly	1	
9	847931	Gasket	1	
10	B0168885	Rear wheel axis cpl.	1	
11	8410015	Transmission shaft Z=21/50	1	
12	8738755	Driven pulley shaft Z=14	1	
13	269755	Hex socket screw M8x12	1	
14	485703	Washer 8.2x12x1	1	

<b>Group</b>	Engine
<b>Code</b>	01.36
<b>Description</b>	Throttle body - Injector - Union pipe
<b>Service</b>	1



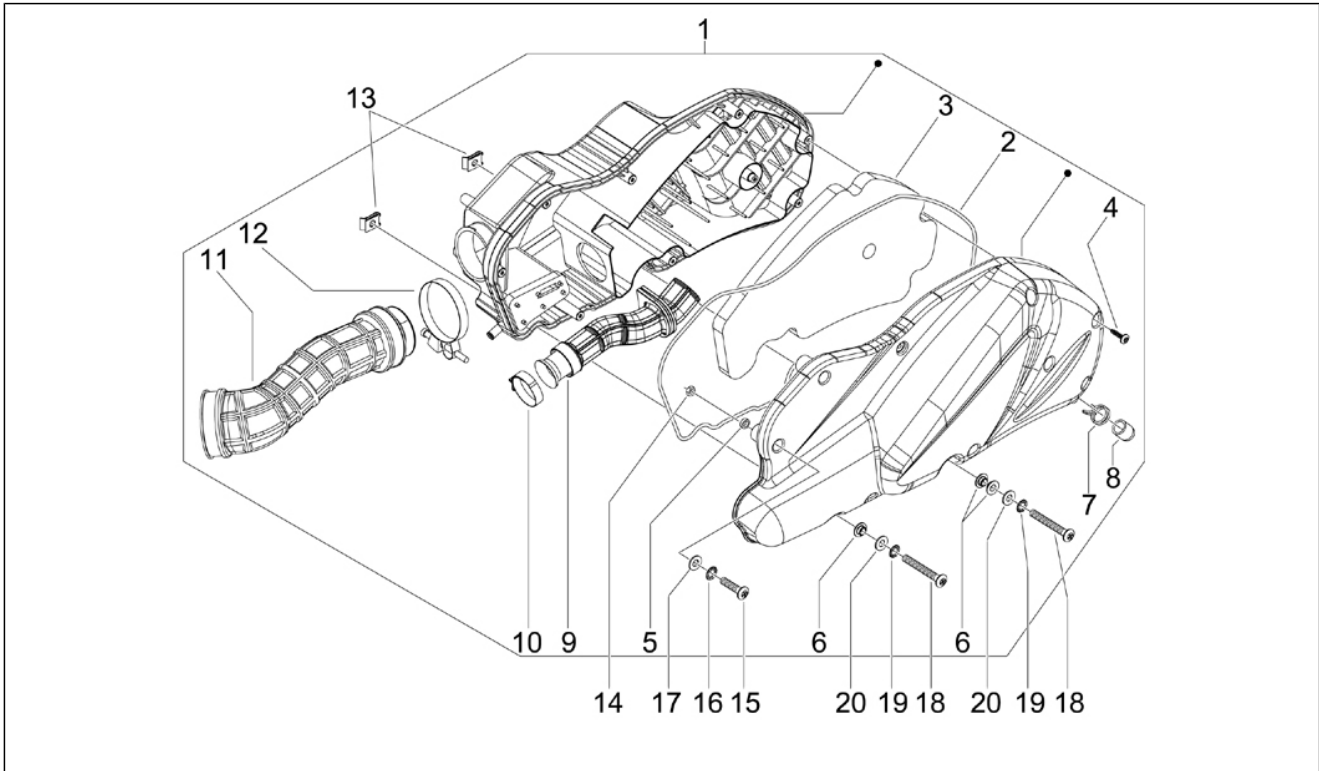
Pos.	Code	Description	Qty	Variants
1	CM081702	Throttle body with E.C.U.	1	<b>Technical specification:</b> MIU G2 control unit[MG2]
1	CM084802	Throttle body with electronic control unit	1	<b>Technical specification:</b> MIU G3 control unit[MG3]
2	875694	Union pipe	1	
3	018639	Hex screw M6x20	3	
4	709532	Hose clamp	1	
5	8732885	Complete injector	1	
6	872269	Screw w/ flange M5x8x20	1	
7	260918	Hose clamp	1	

<b>Group</b>	Engine
<b>Code</b>	01.42
<b>Description</b>	Silencer
<b>Service</b>	1



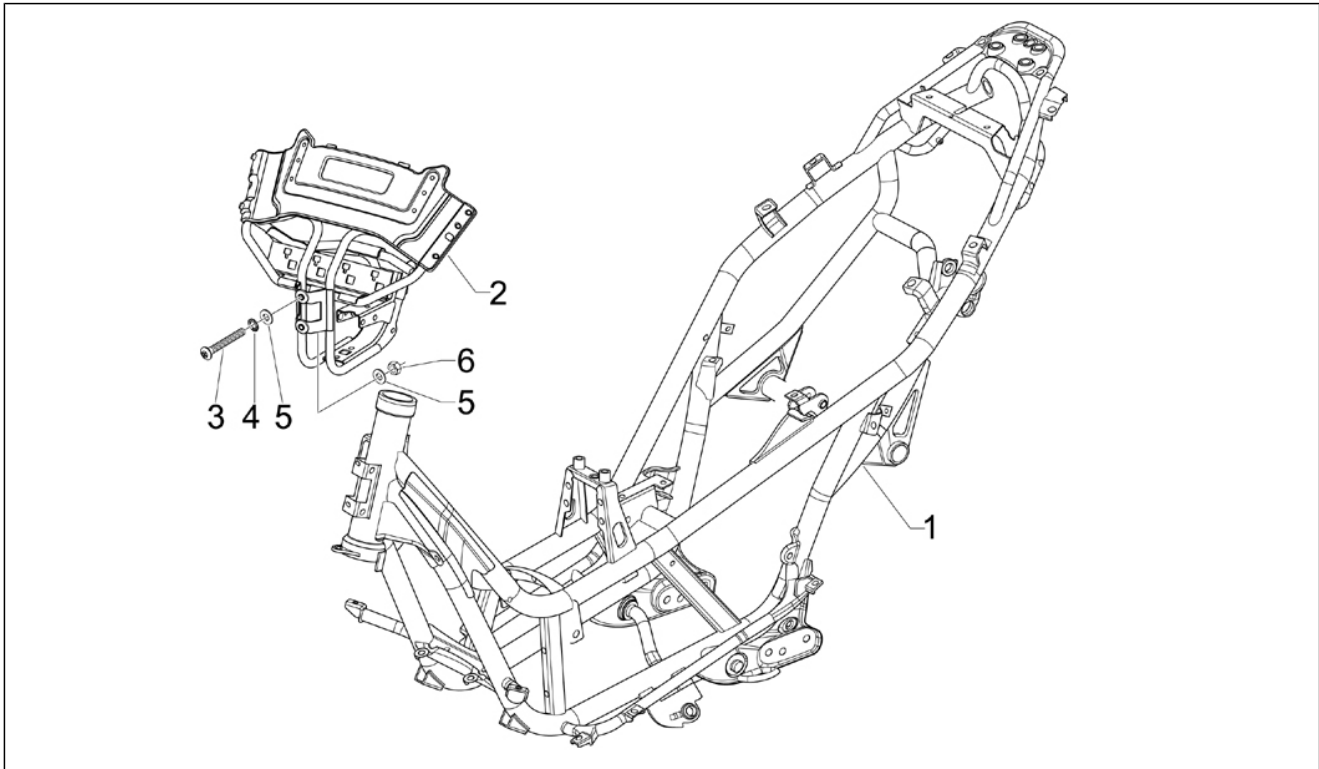
Pos.	Code	Description	Qty	Variants
1	8751155	Exhaust pipe, cpl.	1	
2	877076	Protection	1	
3	842908	screw M5x10	3	
4	482282	Bowl	3	
5	827526	Flat washer	3	
6	487665	Fairlead	3	
7	8263885	Graphite bushing	1	
8	8449404	Hose clamp	1	
9	8014356	Intake manifold	1	
10	842419	Manifold protection	1	
11	842420	screw	2	
12	834951	Conical washer	2	
13	639806	Lambda sensor	1	
14	639632	Instrument support	1	
15	145298	Lock-strap L=180mm	1	
16	015792	screw M8x30	3	
17	834187	Spring washer 16x8,2x2,2	3	
18	848452	Flat washer 19,3x8,2x2,5	3	
19	436947	Nut	2	

<b>Group</b>	Engine
<b>Code</b>	01.45
<b>Description</b>	Air filter
<b>Service</b>	1



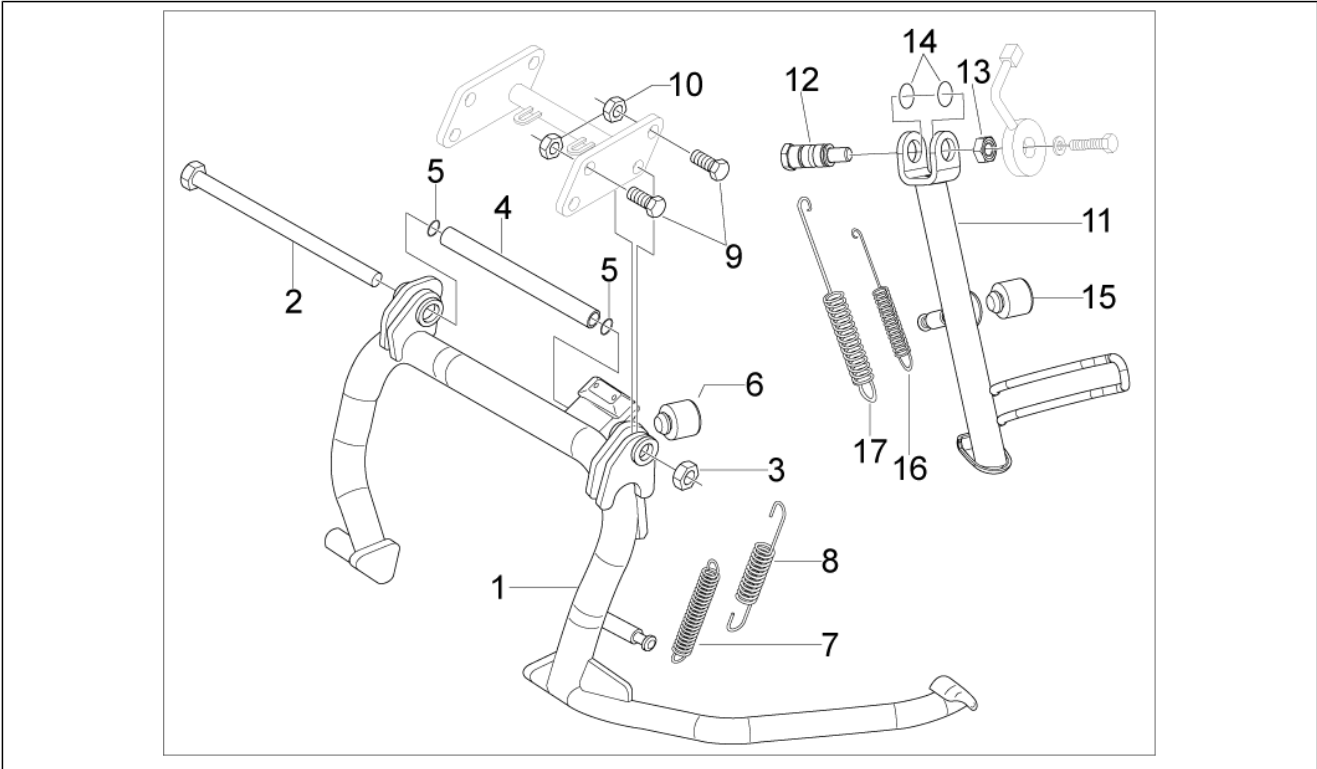
Pos.	Code	Description	Qty	Variants
1	871805	Complete air cleaner box.	1	
2	829259	Filter cover gasket	1	
3	829258	Air filter	1	
4	258146	Self-tap screw M3x20	9	
5	830057	Bushing	2	
6	830056	Knurled bushing	4	
7	CM002910	Hose clamp	2	
8	827831	Cap	2	
9	829543	Air intake hose	1	
10	830015	Hose clip 35-33	1	
11	848864	Throttle body hose	1	
12	260918	Hose clamp	1	
14	241936	Self locking nut M6	1	
15	259166	screw	1	
16	012533	Notched washer 6,6x11x0	1	
17	003056	Flat washer 6,4x12x1	1	
18	018640	Special cap screw M6x50	2	
19	012533	Notched washer 6,6x11x0	2	
20	003056	Flat washer 6,4x12x1	2	

<b>Group</b>	Frame - Plastic parts - Coachwork
<b>Code</b>	02.01
<b>Description</b>	Frame/bodywork
<b>Service</b>	1



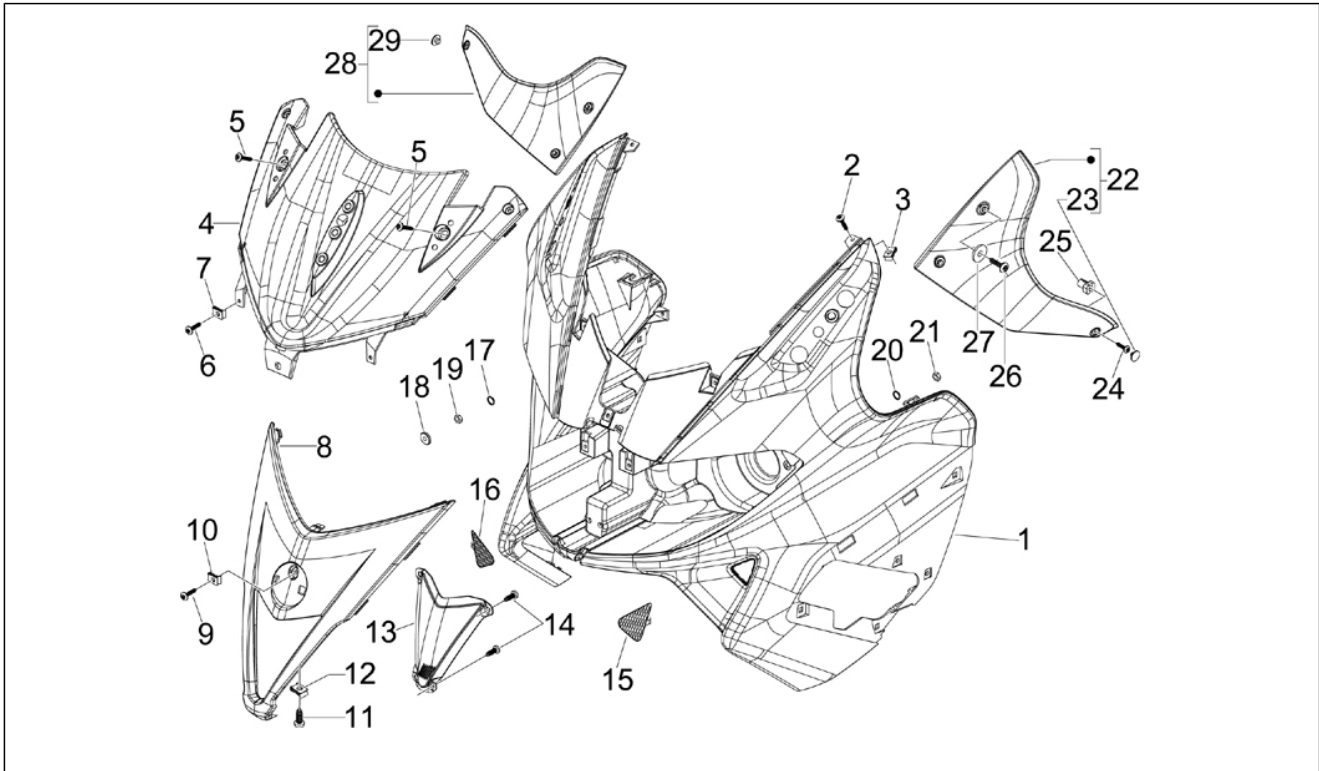
Pos.	Code	Description	Qty	Variants
1	6555945	Frame	1	
2	9750395	Frame	1	
3	432142	screw M6x60	2	
4	012533	Notched washer 6,6x11x0	2	
5	013950	Washer 6,2x18x2	4	
6	969224	Nut	2	

<b>Group</b>	Frame - Plastic parts - Coachwork
<b>Code</b>	02.25
<b>Description</b>	Stand/s
<b>Service</b>	1



Pos.	Code	Description	Qty	Variants
1	56449R	Central stand	1	
2	030115	Hex screw M10x130	1	
3	002440	Self locking nut M10	1	
4	582298	Spacer	1	
5	273754	O-ring	2	
6	272426	Pad	1	
7	582850	Internal lateral stand spring	1	
8	582851	Lateral stand spring	1	
9	031153	Bolt	4	
10	002440	Self locking nut M10	4	
11	647473	Side Stand with i.p.	1	
12	647595	Side stand fixing screw.	1	
13	002440	Self locking nut M10	1	
14	191189	Gasket	2	
15	164245	Stop buffer	1	
16	295788	Spring	1	
17	295789	Spring	1	

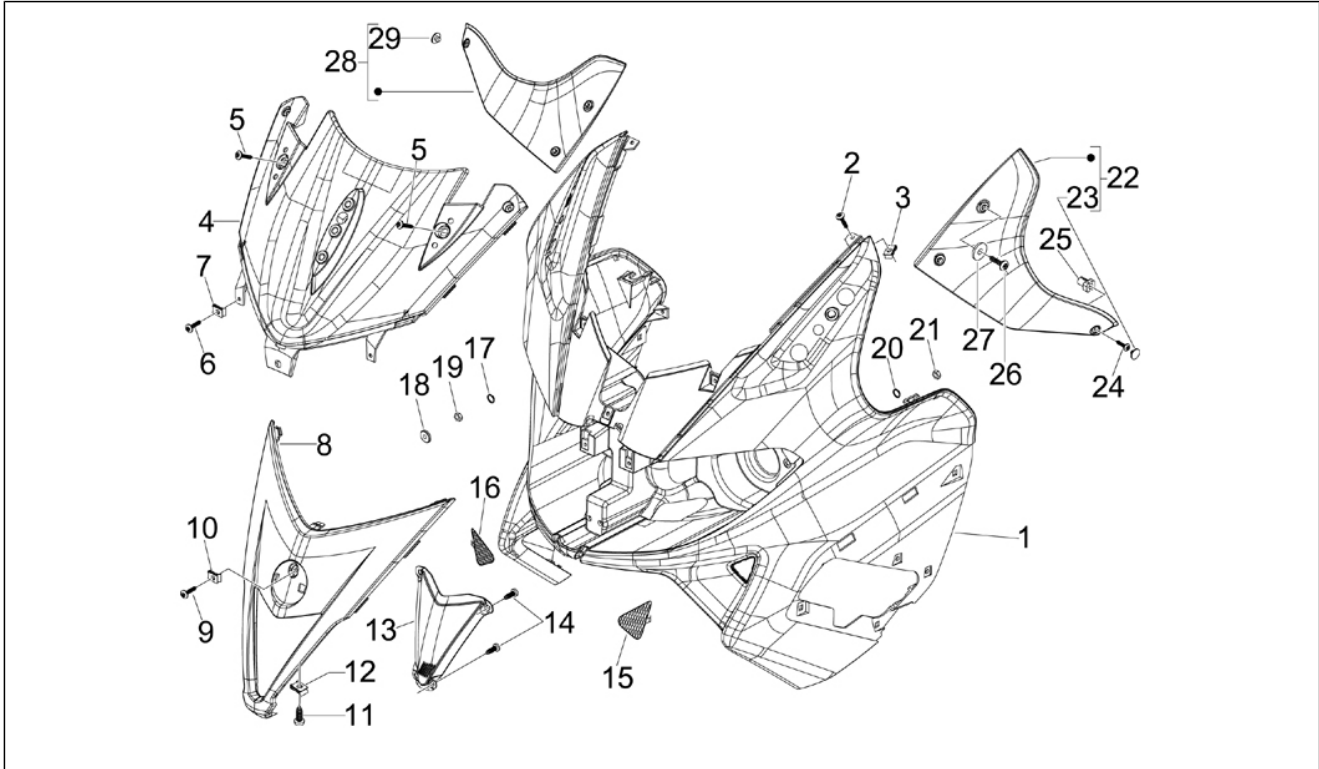
<b>Group</b>	Frame - Plastic parts - Coachwork
<b>Code</b>	02.26
<b>Description</b>	Front shield
<b>Service</b>	1



Pos.	Code	Description	Qty	Variants
1	624503	Font fairing, blank	1	
1	62450300BM	Front shield, white	1	<b>Vehicle colour:</b> Bianco 2011-2014[white] <b>Technical specification:</b> Without Decal[ND]
1	62450300XN2	Front shield	1	<b>Vehicle colour:</b> Nero 2011-2014[black] <b>Technical specification:</b> Without Decal[ND]
2	575249	Screw with shank M6	3	
3	254485	Spring plate M6	1	
4	975051000G	Upper front frame	1	
5	259830	Metric screw M6x20	2	
6	259349	Screw M4,2x13	2	
7	CM017410	Spring plate	2	
8	624369	Lower front frame	1	
8	62436900BM	Lower front frame	1	<b>Vehicle colour:</b> Bianco 2011-2014[white]
8	62436900XR4	Lower front frame	1	<b>Vehicle colour:</b> Nero 2011-2014[black]
9	575249	Screw with shank M6	1	
10	975508000G	Right arm	1	
11	258249	screw 4,2x19	2	
12	CM017410	Spring plate	2	
13	67398200YE1	Front frame mains	1	
14	297498	Self tapping screw M3,5x13	4	
15	975725	Grid	1	
16	975726	Grid	1	
17	287223	Ring	3	
18	599284	Washer	3	
19	020206	Nut M6	3	
20	287223	Ring	4	
21	020206	Nut M6	4	
22	652848000C	Left hand guard cover	1	

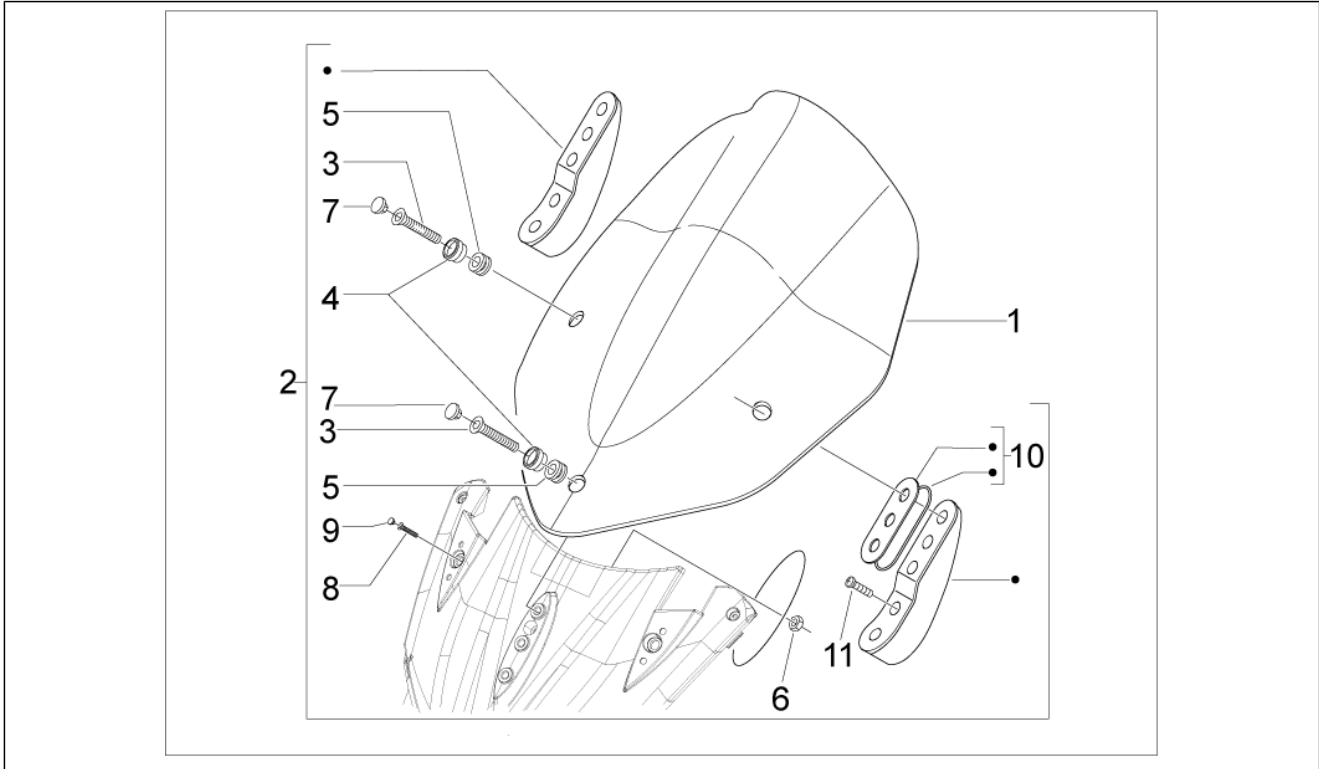


<b>Group</b>	Frame - Plastic parts - Coachwork
<b>Code</b>	02.26
<b>Description</b>	Front shield
<b>Service</b>	1



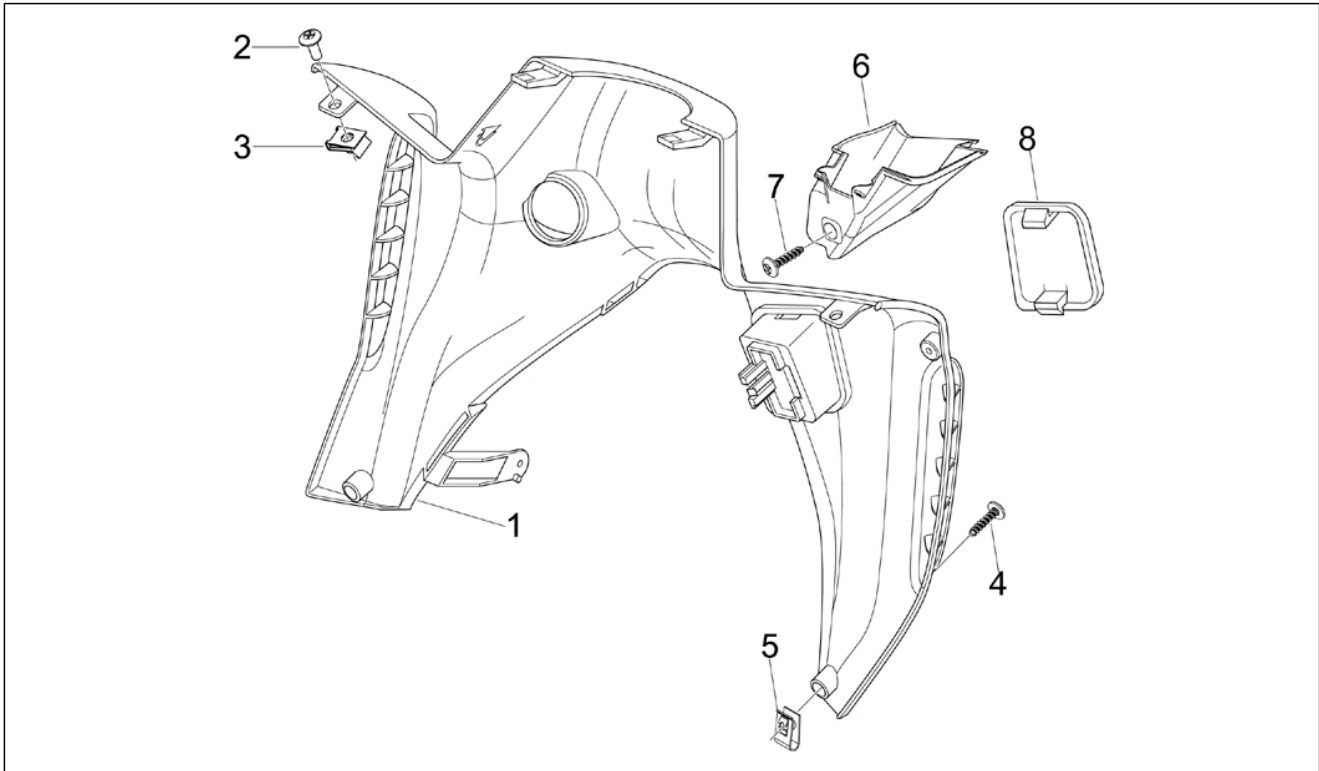
Pos.	Code	Description	Qty	Variants
23	293717	Cover	1	
24	297498	Self tapping screw M3,5x13	2	
25	199190	Expansion plug	2	
26	620365	Hex socket screw M6x30	4	
27	269134	Flat washer	4	
28	652849000C	Right hand guard cover	1	
29	293717	Cover	1	

<b>Group</b>	Frame - Plastic parts - Coachwork
<b>Code</b>	02.27
<b>Description</b>	Windshield - Glass
<b>Service</b>	1



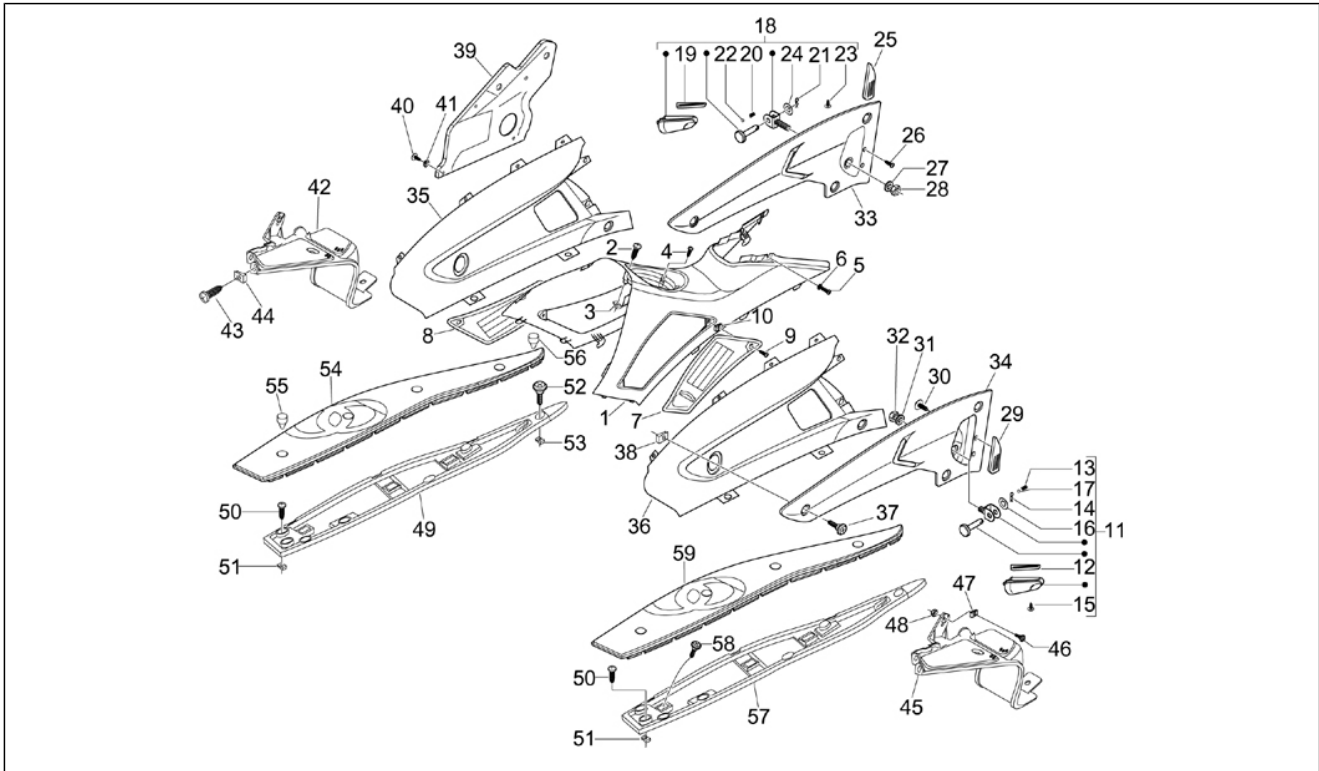
Pos.	Code	Description	Qty	Variants
1	656527	Windscreen	1	
1	675631	Windscreen	1	Country:Australia[AU]
2	975760000G	Windshield connections kit	1	
3	975856	Screw	3	
4	621940	Windshield stud	3	
5	560173	Rubber spacer	3	
6	020206	Nut M6	2	
7	577237	Cover	4	
8	575249	Screw with shank M6	2	
9	D9004468231	Clip	2	
10	975750	Gaskets set	1	
11	259830	Metric screw M6x20	4	

<b>Group</b>	Frame - Plastic parts - Coachwork
<b>Code</b>	02.30
<b>Description</b>	Front glove-box - Knee-guard panel
<b>Service</b>	1



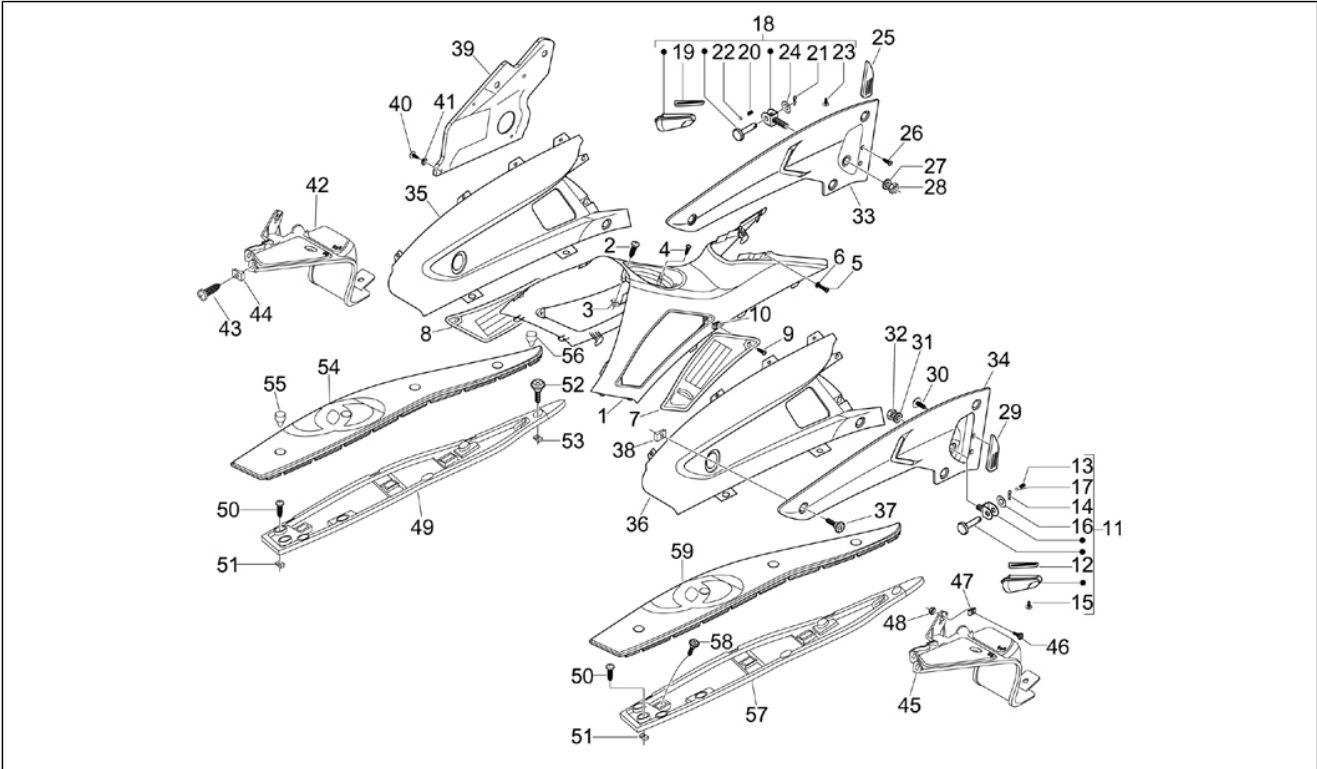
Pos.	Code	Description	Qty	Variants
1	624518000G	Front leg shield back plate	1	
2	575249	Screw with shank M6	2	
3	254485	Spring plate M6	2	
4	259372	Self tapping screw M4,2x25	6	
5	CM017410	Spring plate	6	
6	975506000G	Dashboard box	1	
7	270793	TBCIC Screw 3,8x16	2	
8	975674000G	Cover	1	

<b>Group</b>	Frame - Plastic parts - Coachwork
<b>Code</b>	02.31
<b>Description</b>	Central cover - Footrests
<b>Service</b>	1



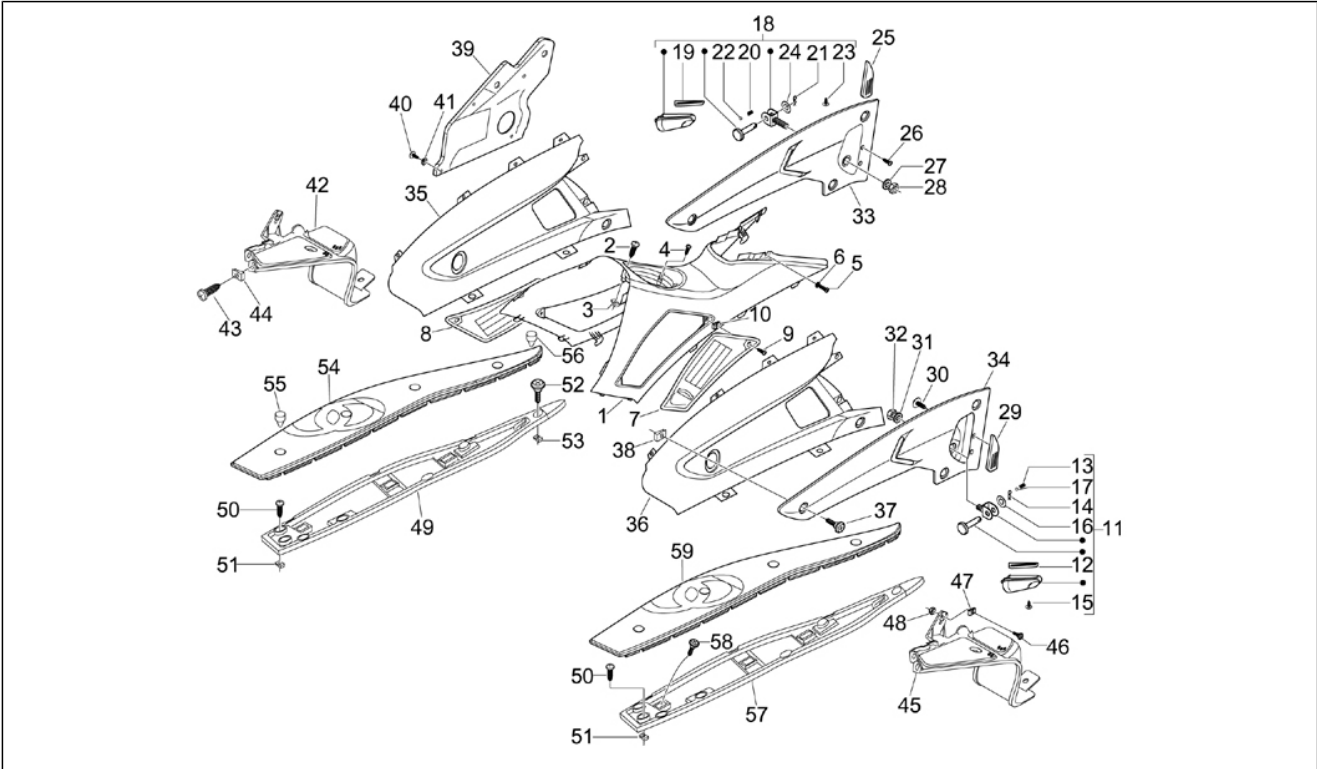
Pos.	Code	Description	Qty	Variants
1	975059000G	Tyre	1	
2	258249	screw 4,2x19	1	
3	CM017410	Spring plate	3	
4	292823	Self tapping screw	4	
5	259349	Screw M4,2x13	2	
6	013763	Flat washer 4,2x12x1	2	
7	975500000G	Net panel (l)	1	
8	975501000G	Net panel (r)	1	
9	258249	screw 4,2x19	2	
10	CM017410	Spring plate	2	
11	65413100EU	Rear footrest, LH	1	
12	975558	Gasket	1	
13	295590	Premisphere spring	1	
14	259933	Elastic spring	1	
15	315092	screw	2	
16	003058	Plain washer 15x8,4x1,5	1	
17	295591	Ball D6	1	
18	65413200EU	Rear footrest, RH cpl	1	
19	975559	Gasket	1	
20	295590	Premisphere spring	1	
21	259933	Elastic spring	1	
22	295591	Ball D6	1	
23	315092	screw	2	
24	003058	Plain washer 15x8,4x1,5	1	
25	621370	Guard	1	
26	297498	Self tapping screw M3,5x13	2	
27	436698	Belleville spring	1	
28	020210	Nut	1	

<b>Group</b>	Frame - Plastic parts - Coachwork
<b>Code</b>	02.31
<b>Description</b>	Central cover - Footrests
<b>Service</b>	1



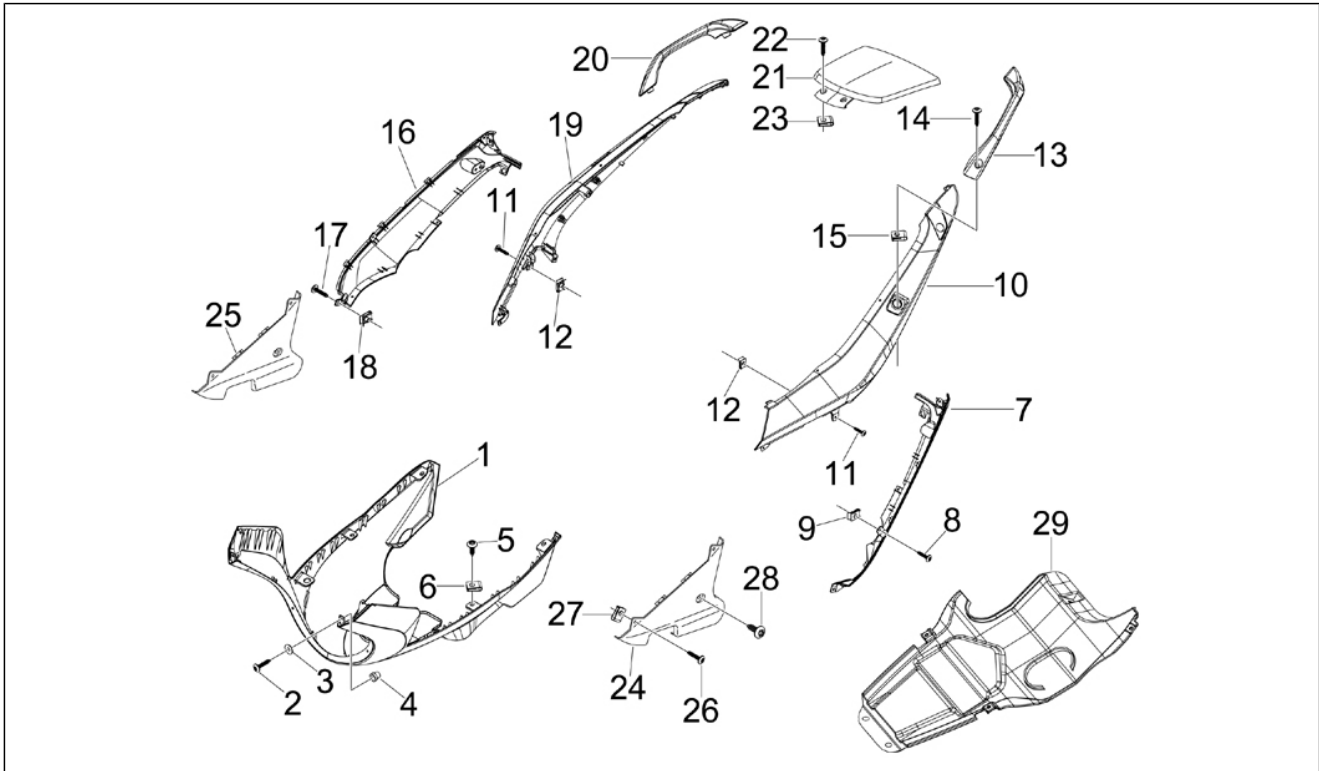
Pos.	Code	Description	Qty	Variants
29	621369	Guard	1	
30	297498	Self tapping screw M3,5x13	2	
31	436698	Belleville spring	1	
32	020210	Nut	1	
33	97549600EU	Right lateral side	1	
34	97549500EU	Left lateral side cover	1	
35	656666000G	RH side panel	1	
36	656665000G	LH side panel	1	
37	975855	screw	6	
38	575268	Spring plate M8	4	
39	975850	Protection	1	
40	008423	Self-tap screw 4,8x9,5	4	
41	003055	Plain washer 5,4x10x0,8	4	
42	975503000G	RH Foot rests	1	
43	258249	screw 4,2x19	2	
43	575249	Screw with shank M6	2	
44	CM017410	Spring plate	2	
45	975502000G	LH Foot rests	1	
46	015996	Screw M4x12	2	
47	975826	Plate	2	
48	020104	Nut M4	2	
49	975063000G	Footrest	1	
50	CM017410	Spring plate	4	
51	258249	screw 4,2x19	4	
52	575249	Screw with shank M6	4	
53	254485	Spring plate M6	4	
54	673985	Right mat	1	
55	975662	Pin	8	

<b>Group</b>	Frame - Plastic parts - Coachwork
<b>Code</b>	02.31
<b>Description</b>	Central cover - Footrests
<b>Service</b>	1



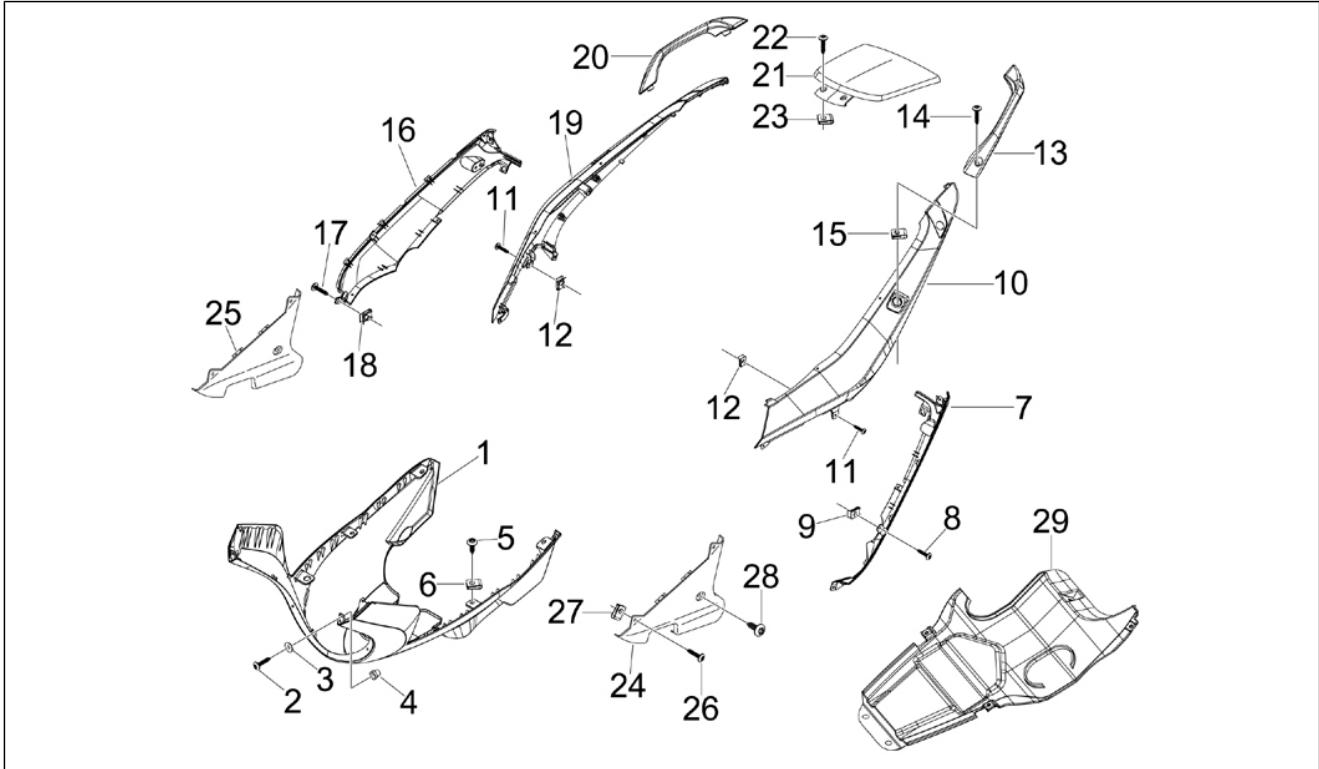
Pos.	Code	Description	Qty	Variants
56	621618	Cover	2	
57	975062000G	Footrest	1	
58	267958	Self tapping screw L=20 mm	4	
59	673984	Left mat	1	

<b>Group</b>	Frame - Plastic parts - Coachwork
<b>Code</b>	02.32
<b>Description</b>	Side cover - Spoiler
<b>Service</b>	1



Pos.	Code	Description	Qty	Variants
1	975064000G	Spoiler	1	Vehicle colour: Bianco 2011-2014[white]
1	97506400XN2	Spoiler	1	Vehicle colour: Nero 2011-2014[black]
2	270793	TBCIC Screw 3,8x16	2	
3	013963	Washer	2	
4	975841	Bushing	2	
5	272836	Screw M6x16	2	
6	254485	Spring plate M6	2	
7	624504000G	Left lower rear side	1	
8	258249	screw 4,2x19	8	
9	CM017410	Spring plate	8	
10	97505600BM	Left upper rear side	1	Vehicle colour: Bianco 2011-2014[white]
10	97505600XN2	Left upper rear side	1	Vehicle colour: Nero 2011-2014[black]
11	258249	screw 4,2x19	6	
12	CM017410	Spring plate	6	
13	975043	Left passenger handle	1	
13	97504300BM	Left passenger handle	1	Vehicle colour: Bianco 2011-2014[white]
13	97504300XN2	Left passenger handle	1	Vehicle colour: Nero 2011-2014[black]
14	975840	Hex socket screw	4	
15	575268	Spring plate M8	2	
16	624505000G	Right lower rear side	1	
17	258249	screw 4,2x19	12	
18	CM017410	Spring plate	12	
19	975057	Right upper rear side	1	
19	97505700BM	Right upper rear side	1	Vehicle colour: Bianco 2011-2014[white]
19	97505700XN2	Right upper rear side	1	Vehicle colour: Nero 2011-2014[black]
20	97504400BM	Right passenger handle	1	Vehicle colour: Bianco 2011-2014[white]
20	97504400XN2	Right passenger handle	1	Vehicle colour: Nero 2011-2014[black]
21	975061	Cover	1	

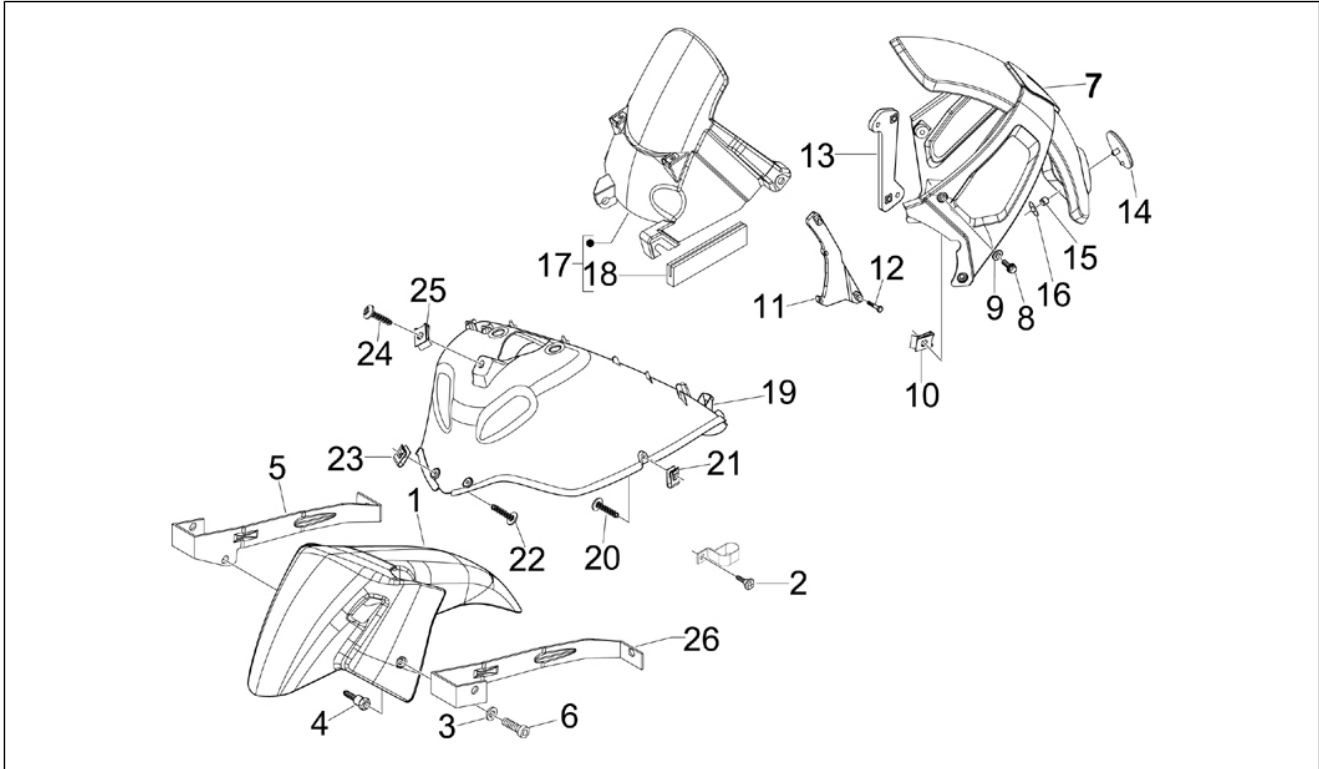
<b>Group</b>	Frame - Plastic parts - Coachwork
<b>Code</b>	02.32
<b>Description</b>	Side cover - Spoiler
<b>Service</b>	1



Pos.	Code	Description	Qty	Variants
21	97506100BM	Cover	1	Vehicle colour:Bianco 2011-2014[white]
21	97506100XN2	Cover	1	Vehicle colour:Nero 2011-2014[black]
22	258249	screw 4,2x19	2	
23	CM017410	Spring plate	2	
24	975176000G	Tyre	1	
25	975177000G	Tyre	1	
26	258249	screw 4,2x19	4	
27	CM017410	Spring plate	4	
28	259830	Metric screw M6x20	2	
29	624519000G	Rear lower side closing	1	

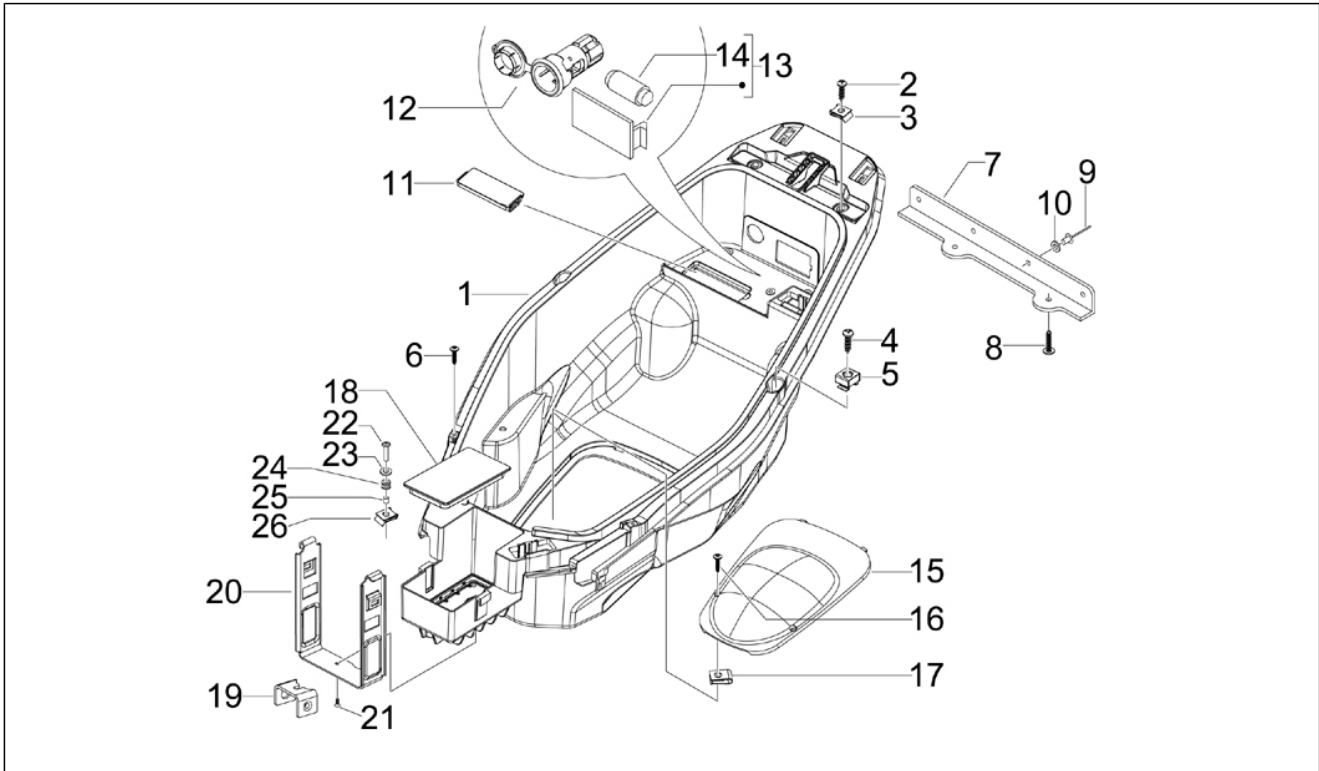


<b>Group</b>	Frame - Plastic parts - Coachwork
<b>Code</b>	02.33
<b>Description</b>	Wheel huosing - Mudguard
<b>Service</b>	1



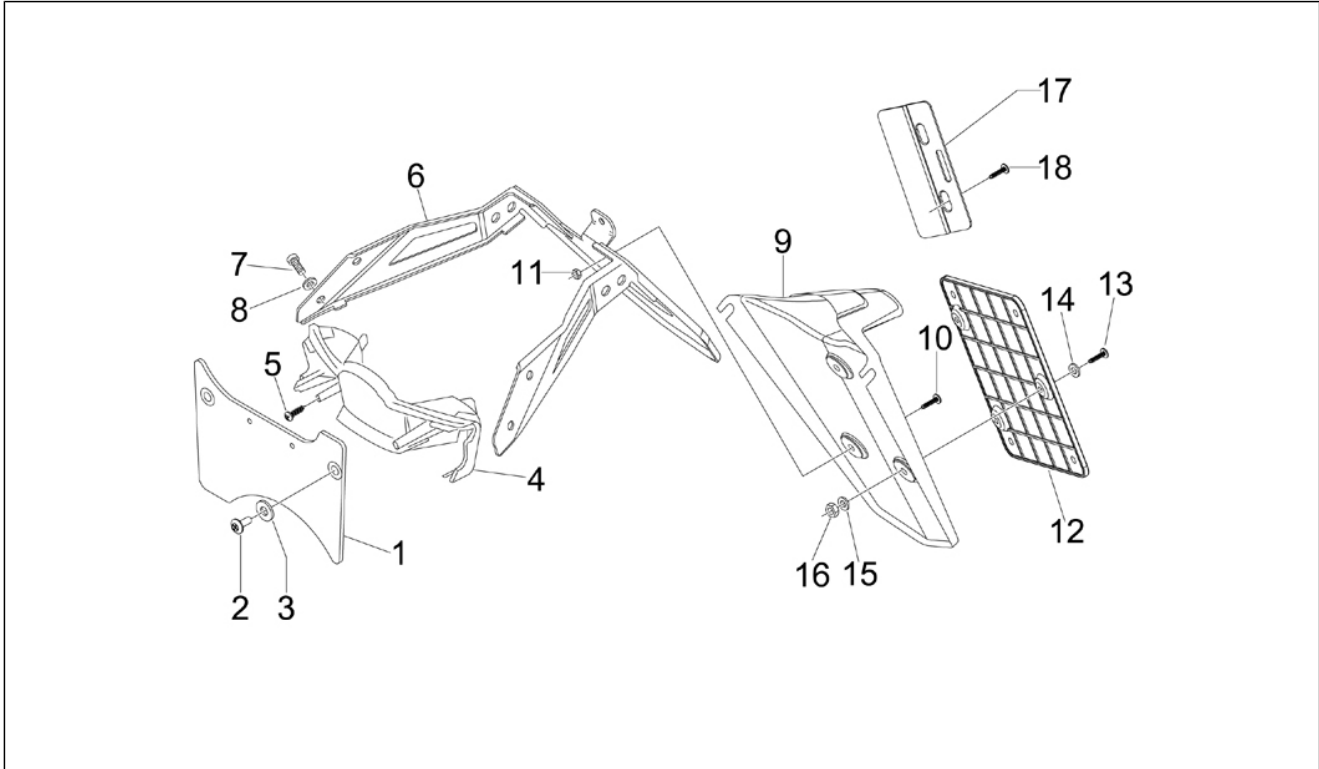
Pos.	Code	Description	Qty	Variants
1	650226000G	Front mudguard, white	1	Vehicle colour: Bianco 2011-2014[white]
1	65022600XN2	Front mudguard, black	1	Vehicle colour: Nero 2011-2014[black]
2	575249	Screw with shank M6	2	
3	006976	Spring washer 12x6,4x0,5	2	
4	AP8152302	Screw w/ flange M5x12	2	
5	650467	RH support	1	
6	709099	Hex socket screw M6x16	2	
7	624640	Rear mudguard	1	
8	015804	screw	1	
9	006976	Spring washer 12x6,4x0,5	1	
10	254485	Spring plate M6	1	
11	624514	LH support	1	
12	414838	screw M6x35	2	
13	624515	RH support	1	
14	582922	Reflector	1	
15	479882	Spacer	1	
16	180859	Plate	1	
17	652976	Rear splash guard	1	
18	CM175101	Gasket	1	
19	657049	Front wheel housing	1	
20	258249	screw 4,2x19	4	
21	CM017410	Spring plate	4	
22	CM017410	Spring plate	2	
23	258249	screw 4,2x19	2	
24	272836	Screw M6x16	1	
25	254485	Spring plate M6	1	
26	650469	LH support	1	

<b>Group</b>	Frame - Plastic parts - Coachwork
<b>Code</b>	02.34
<b>Description</b>	Helmet huosing - Undersaddle
<b>Service</b>	1



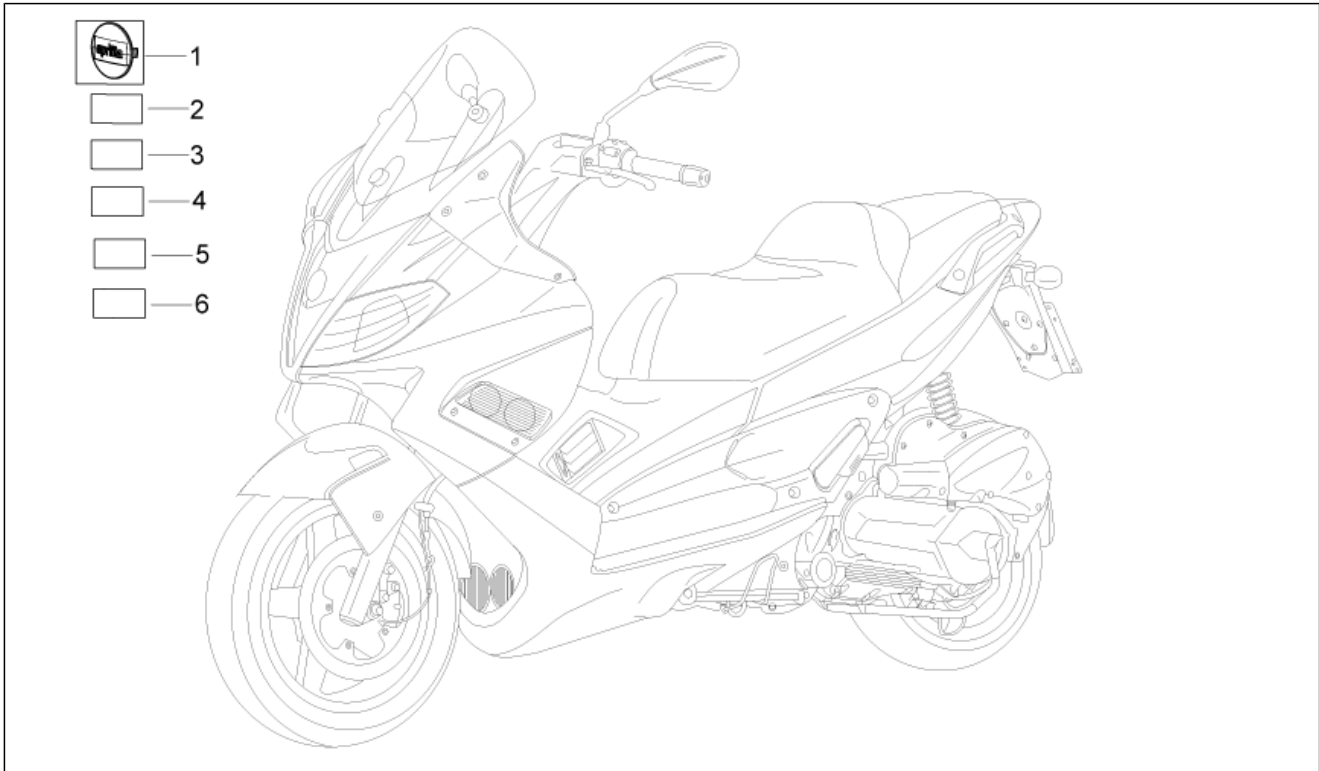
Pos.	Code	Description	Qty	Variants
1	653905	Helmet compartment	1	
2	018623	Self-tapping screw	1	
3	CM017409	Spring plate	2	
4	575249	Screw with shank M6	4	
5	191962	Nut	2	
6	272836	Screw M6x16	2	
7	624824	Splash guard support	1	
8	270793	TBCIC Screw 3,8x16	2	
9	252099	Rivet	4	
10	016670	Washer 4,5x12x1	4	
11	575551	Insp. door	1	
12	294770	LV socket 12V	1	
13	293154	Ceiling bowl	1	
14	071633	Torpedo shaped lamp 12V-5W	1	
15	624098	Carburettor access cover	1	
16	270723	Self tapping screw	2	
17	CM017410	Spring plate	2	
18	653906	Battery cover	1	
19	975747	Plate	1	
20	975587	plate	1	
21	270793	TBCIC Screw 3,8x16	1	
22	271891	Screw m6x30	2	
23	013092	Washer d6,2x20x1	2	
24	257301	Pad	2	
25	257302	Spacer	2	
26	254485	Spring plate M6	1	

<b>Group</b>	Frame - Plastic parts - Coachwork
<b>Code</b>	02.37
<b>Description</b>	Rear cover - Splash guard
<b>Service</b>	1



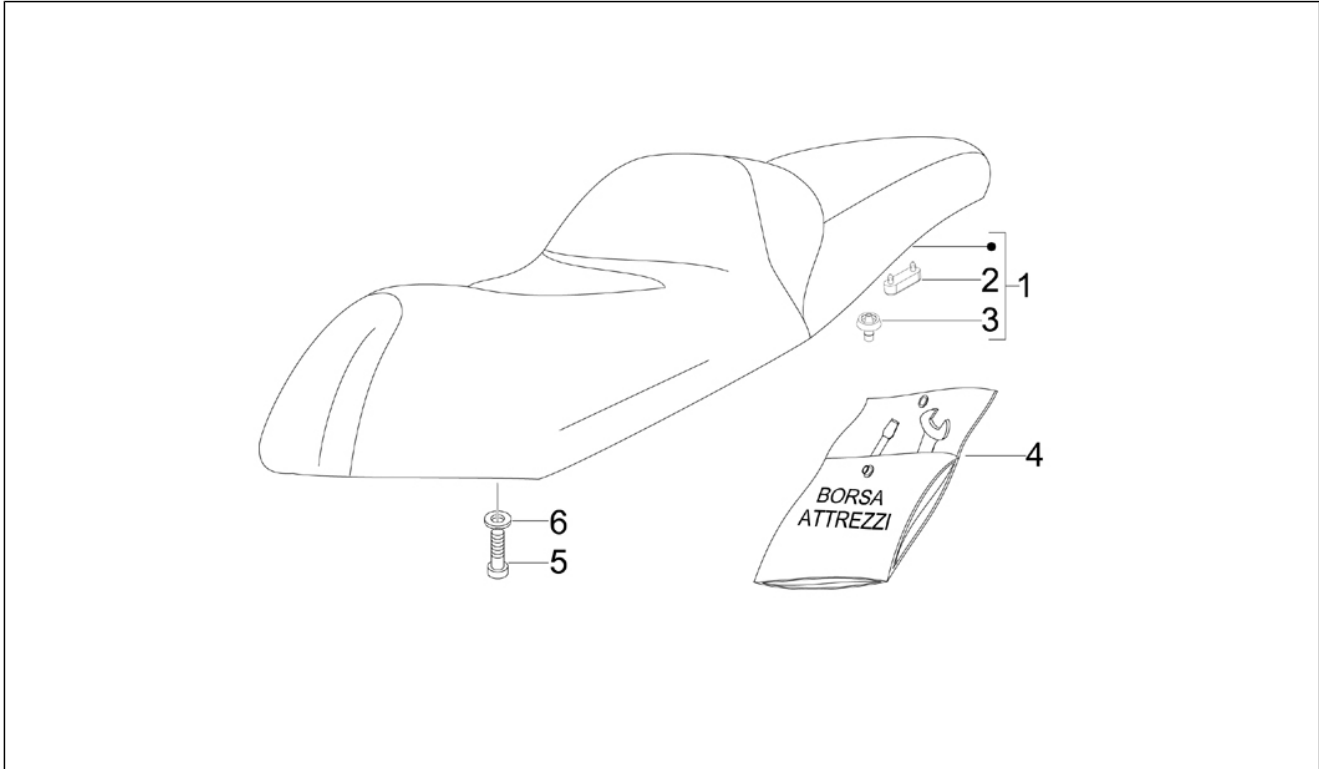
Pos.	Code	Description	Qty	Variants
1	624834	Engine splash guard	1	
2	018639	Hex screw M6x20	6	
3	006976	Spring washer 12x6,4x0,5	4	
4	599735	Covers	1	
5	227983	Screw d4x20	2	
6	622156	Number plate holder support	1	
7	272836	Screw M6x16	4	
8	078307	Washer	4	
9	654840	Number plate holder	1	
10	576668	screw	3	
11	288245	Self locking nut M6	3	
12	584884	Number plate holder	1	
13	018591	screw M4x14	3	
14	013763	Flat washer 4,2x12x1	3	
15	016404	Flat washer 4,2x7,6x0,9	3	
16	020104	Nut M4	3	
17	584877	Number-plate extension	2	
18	268596	Self tapping screw D4x13	4	

<b>Group</b>	Frame - Plastic parts - Coachwork
<b>Code</b>	02.38
<b>Description</b>	Plates - Emblems
<b>Service</b>	1



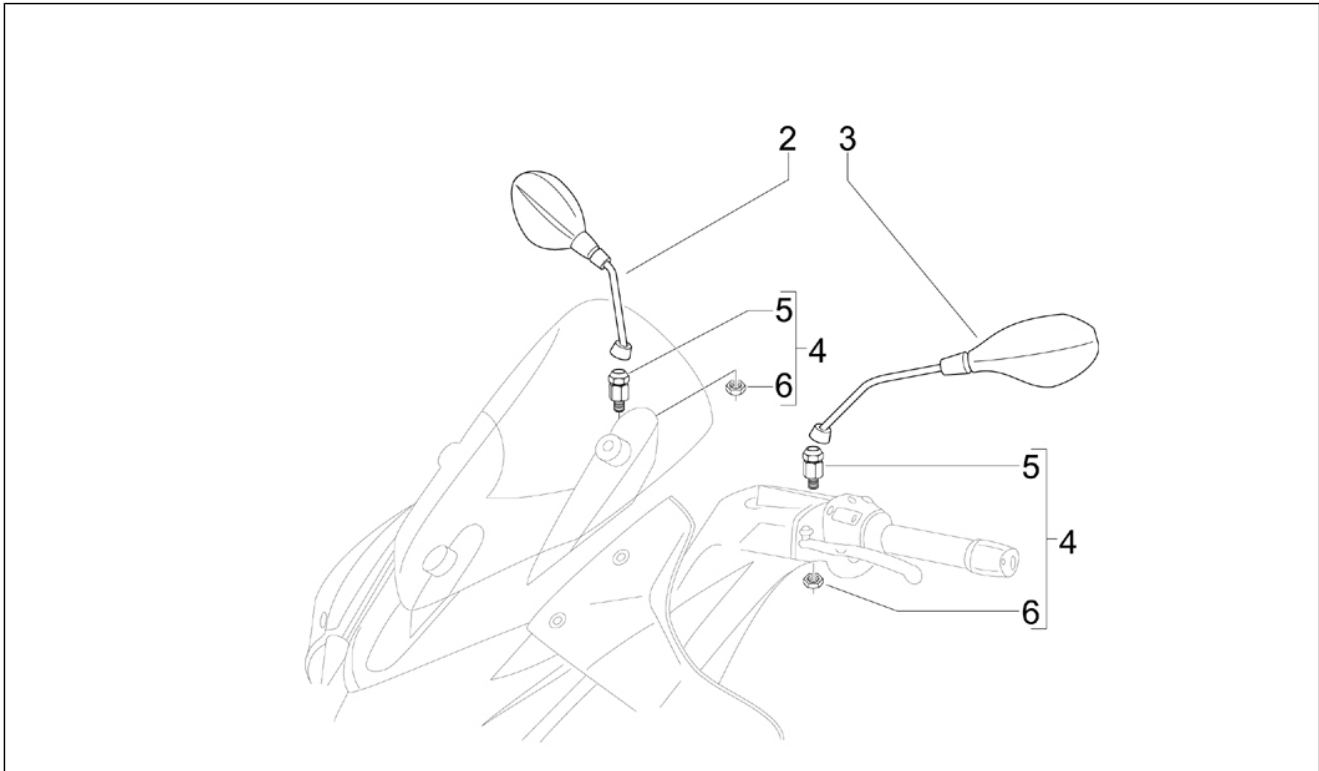
Pos.	Code	Description	Qty	Variants
1	673983	"Aprilia" dataplate	1	
2	673987	Decal set	1	Vehicle colour:Nero 2011-2014[black]
3	673988	Decal set	1	Vehicle colour:Bianco 2011-2014[white]
4	674370	Name plate "300"	1	
5	671338	Noise emission sticker	1	Country:Australia[AU]
6	672200	Name plate "Piaggio Technology"	1	

<b>Group</b>	Frame - Plastic parts - Coachwork
<b>Code</b>	02.39
<b>Description</b>	Saddle/seats - Tool roll
<b>Service</b>	1



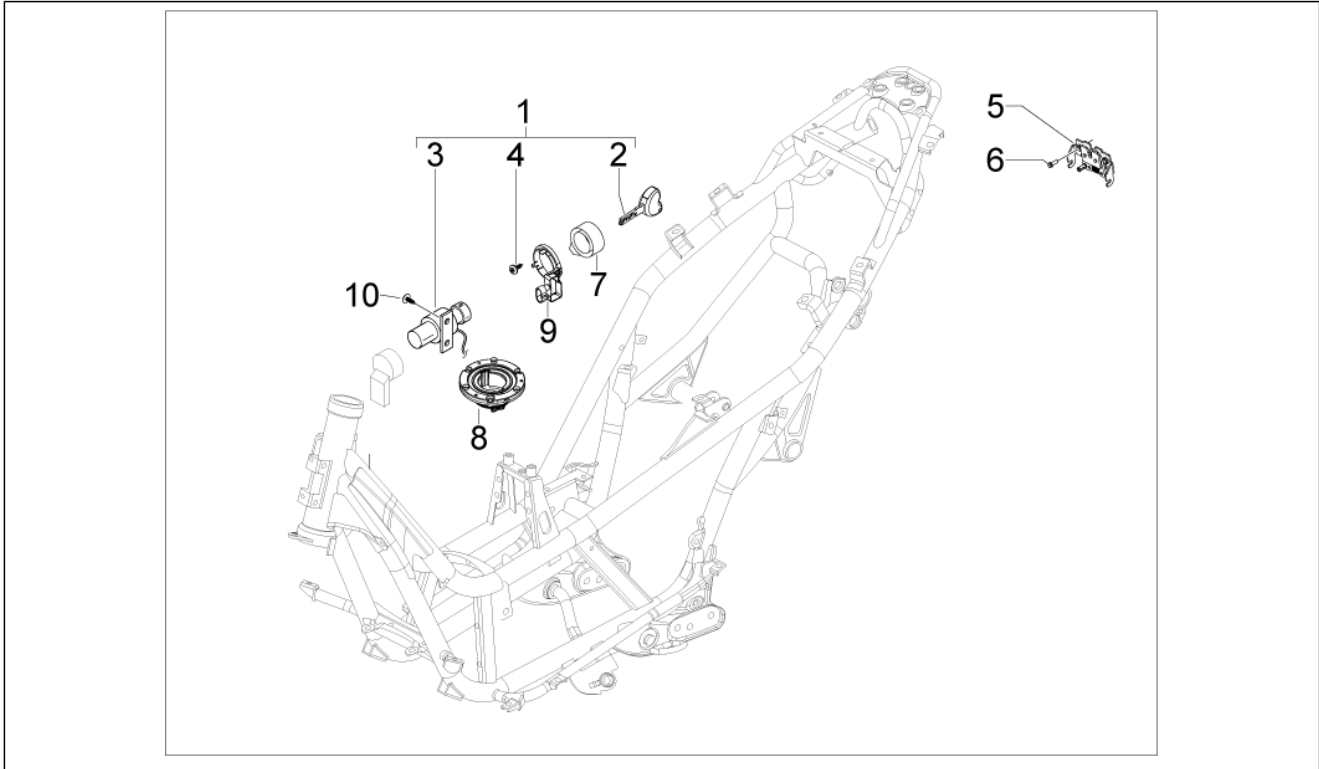
Pos.	Code	Description	Qty	Variants
1	67398600C1	Seat assy	1	Vehicle colour:Nero 2011-2014[black]
1	67398600C2	Seat assy	1	Vehicle colour:Bianco 2011-2014[white]
2	296456	Pad	2	
3	577492	Pad	4	
4	648068	Tool set, standard l/jack	1	
5	018555	screw	2	
6	709047	Spring washer	2	

<b>Group</b>	Frame - Plastic parts - Coachwork
<b>Code</b>	02.45
<b>Description</b>	Driving mirror/s
<b>Service</b>	1



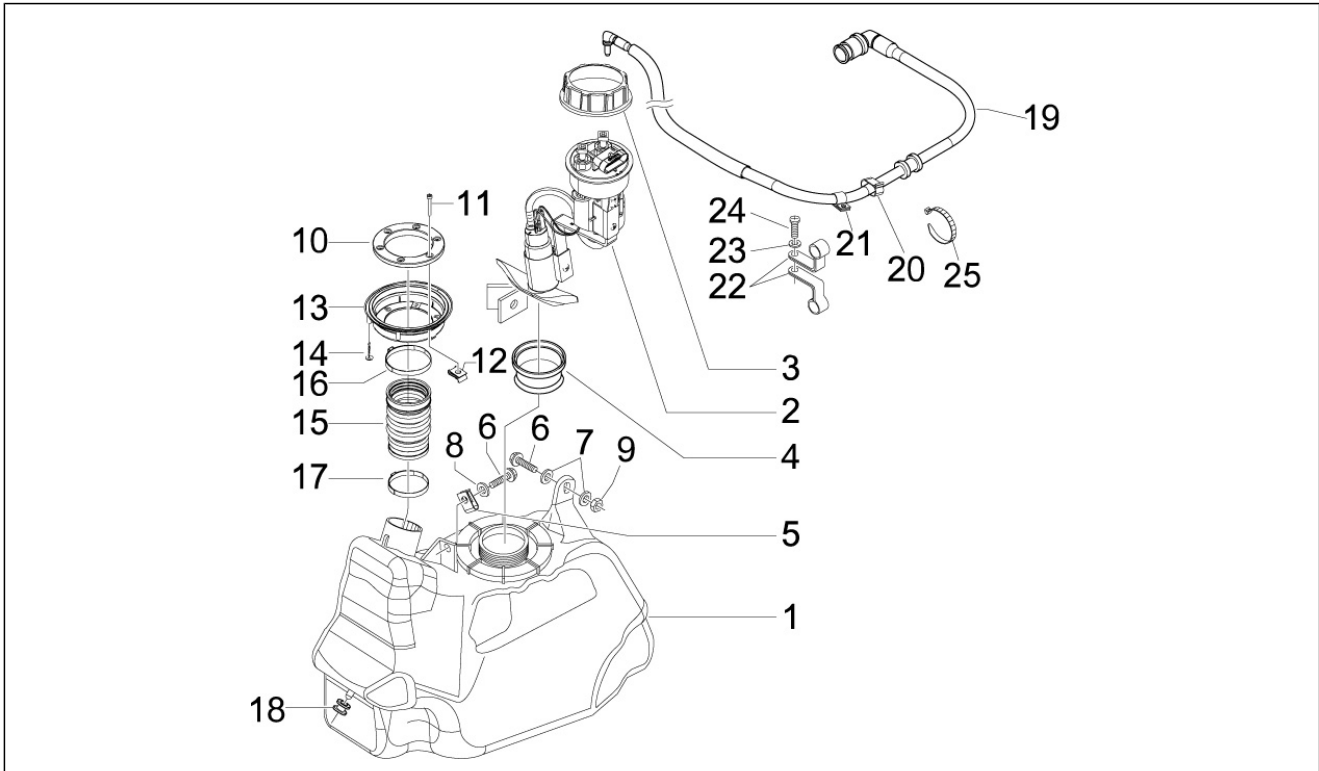
Pos.	Code	Description	Qty	Variants
2	CM175006	RH rearview mirror	1	
3	CM175005	LH rearview mirror	1	
4	654171	Mirror mounting clump	2	
5	653372	Mirror support	1	
6	654149	Nut	1	

<b>Group</b>	Frame - Plastic parts - Coachwork
<b>Code</b>	02.46
<b>Description</b>	Locks
<b>Service</b>	1



Pos.	Code	Description	Qty	Variants
1	674078	Lock kit	1	
2	1B000256	Key blank drawing	1	
3	624516	AERIAL ADAPTOR	1	
4	015727	Self tapping screw 2,9x9,5	2	
5	CM023701	Saddle lock	1	
6	272836	Screw M6x16	2	
7	624517	Front cowl switch	1	
8	959465	Fuel tank filler cap	1	
9	638534	Immobilizer antenna	1	
10	709674	Hex socket screw M6x20	2	

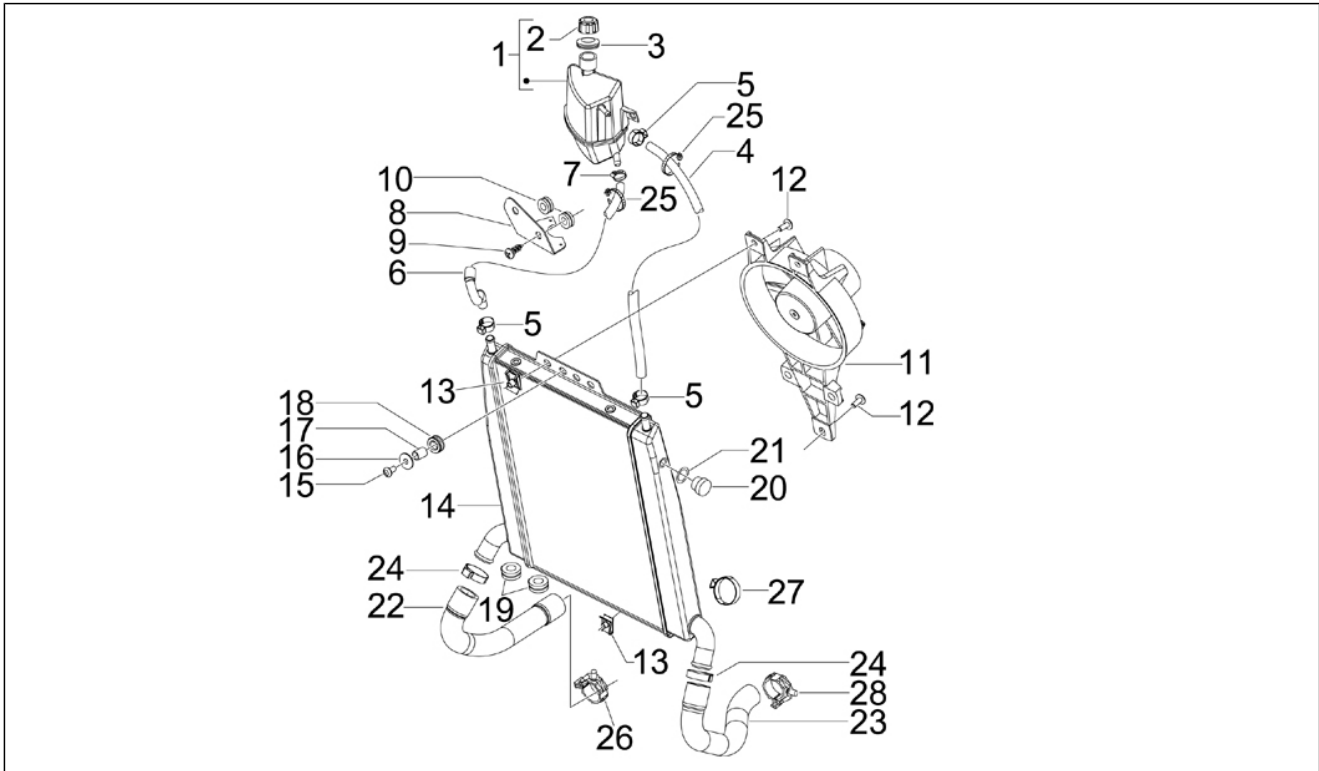
<b>Group</b>	Frame - Plastic parts - Coachwork
<b>Code</b>	02.47
<b>Description</b>	Fuel tank
<b>Service</b>	1



Pos.	Code	Description	Qty	Variants
1	975153	Fuel tank	1	
2	640519	Fuel pump cpl.	1	
3	576546	Ring nut	1	
4	576542	Gasket	1	
5	254485	Spring plate M6	1	
6	847645	Screw w/ flange	2	
7	268304	Flat washer 6,5x21	2	
8	078307	Washer	1	
9	195482	Self locking nut M6	1	
10	655357	Ring nut fuel filler cap	1	
11	655539	Hex socket screw M4x30	6	
12	959263	Scheibe	3	
13	655358	Fuel filler cap gasket	1	
14	828021	screw	4	
15	655537	Hose	1	
16	CM001920	Hose clamp	1	
17	CM001910	Hose clamp	1	
18	463195	Elastic drift	1	
19	624002	Pipe cpl.	1	
20	CM006905	Non return spring L=12	1	
21	623743	Hose clamp	1	
22	273779	Hose clamp	2	
23	012528	Washer	1	
24	015715	Screw M5x16	1	
25	257134	Lock-strap L=277	1	

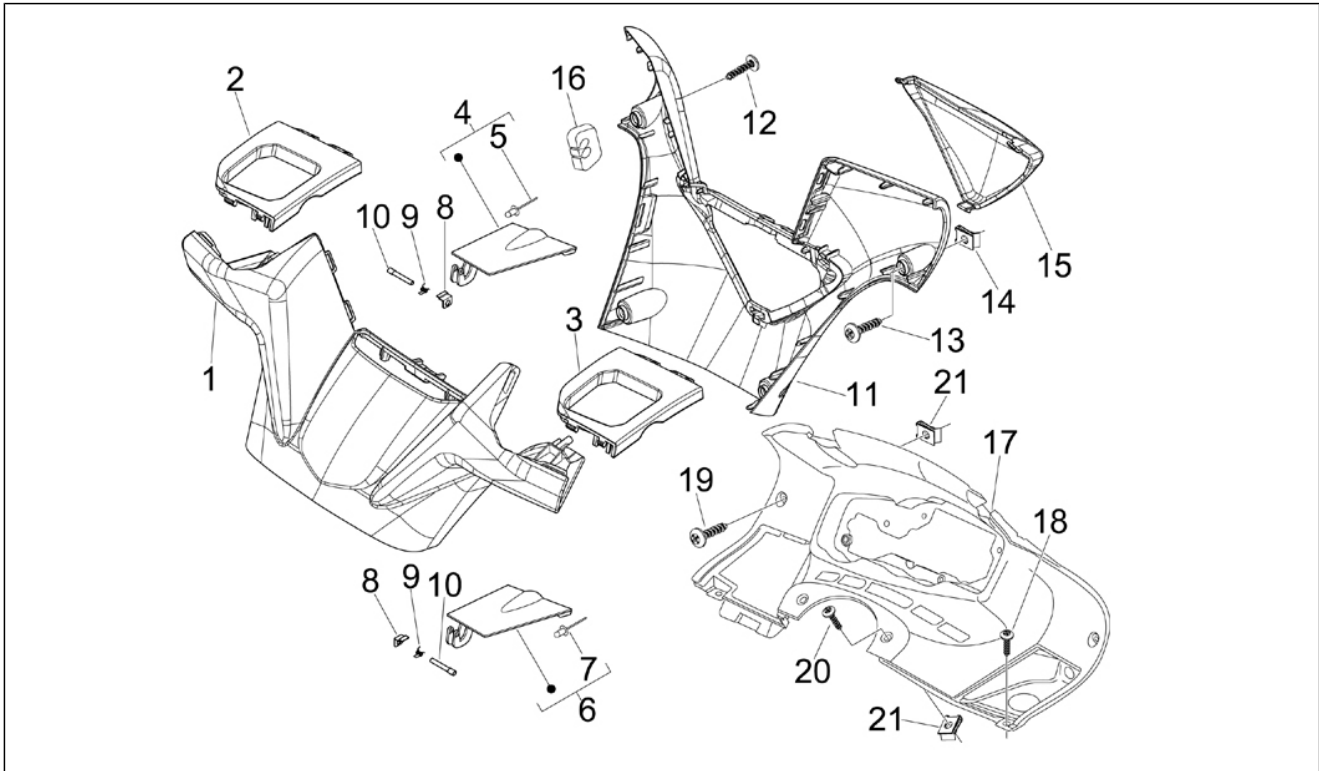


<b>Group</b>	Frame - Plastic parts - Coachwork
<b>Code</b>	02.55
<b>Description</b>	Cooling system
<b>Service</b>	1



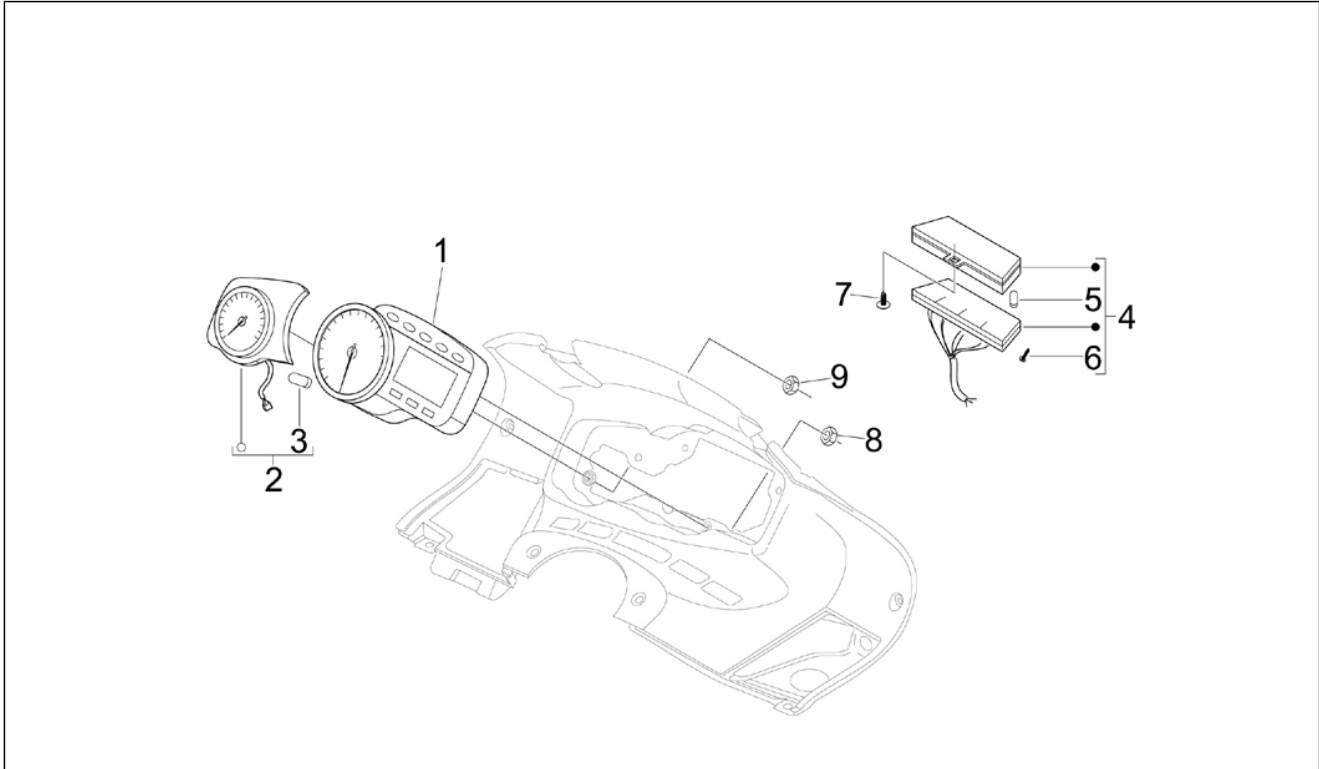
Pos.	Code	Description	Qty	Variants
1	975031	Tank	1	
2	623673	Expansion tank plug	1	
3	620737	Fuel tank gasket	1	
4	CM007007	Tank-cooler feed pipe	1	
5	CM001914	Hose clamp	3	
6	975696	Cooler-tank return pipe	1	
7	CM001921	Hose clamp	1	
8	975592	Bracket	1	
9	270793	TBCIC Screw 3,8x16	2	
10	258904	Lower rubber	2	
11	58170R	Electric fan	1	
12	CM179301	Screw M6x16	3	
14	656528	Water cooler	1	
15	CM179301	Screw M6x16	2	
16	013092	Washer d6,2x20x1	2	
17	273288	Spacer	2	
18	351782	Upper rubber	2	
19	258904	Lower rubber	2	
20	621365	Cover	1	
21	168077	Copper gasket	1	
22	656435	***PUMP RADIATOR JOINT PIPE	1	
23	654154	***CYLINDER-HEAD RADIATOR JOINT PIPE	1	
24	CM001909	Hose clamp	2	
25	257134	Lock-strap L=277	4	
27	CM001922	Hose clamp	2	
28	CM006903	Pipes/cables retainer spring	2	

<b>Group</b>	Handlebars/Steering
<b>Code</b>	03.01
<b>Description</b>	Handlebars coverages
<b>Service</b>	1



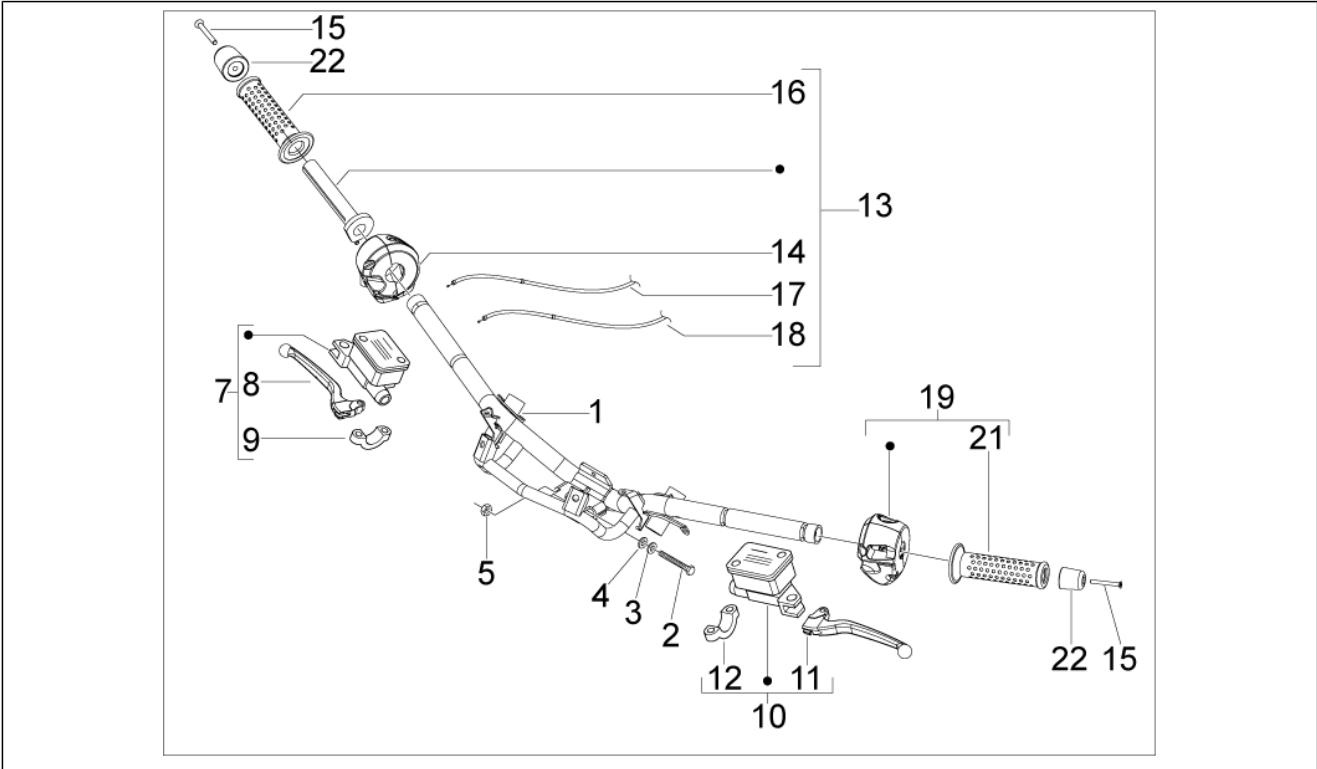
Pos.	Code	Description	Qty	Variants
1	624167000G	Handlebar front cover	1	
2	652631000G	RH pump cover	1	
3	652632000G	LH pump cover	1	
4	975859500G	Dashboard door r.h.	1	
5	182302	Rivet	1	
6	975858500G	Dashboard door l.h.	1	
7	182302	Rivet	1	
8	975832	Plate	2	
9	975685	Spring	2	
10	975686	Pin	2	
11	624168000G	Handlebar rear cover	1	
12	270793	TBCIC Screw 3,8x16	8	
13	259349	Screw M4,2x13	1	
14	CM017410	Spring plate	1	
15	975077	Handlebar rear cover	1	
15	975077000G	Handlebar rear cover	1	
16	975715	Grommet	1	
17	975072	Upper protection	1	
17	975072000G	Tyre	1	
18	267115	Self tapping screw M4x16	2	
19	259349	Screw M4,2x13	2	
20	258249	screw 4,2x19	2	
21	CM017410	Spring plate	4	

<b>Group</b>	Handlebars/Steering
<b>Code</b>	03.02
<b>Description</b>	Meter combination - Cruscotto
<b>Service</b>	1



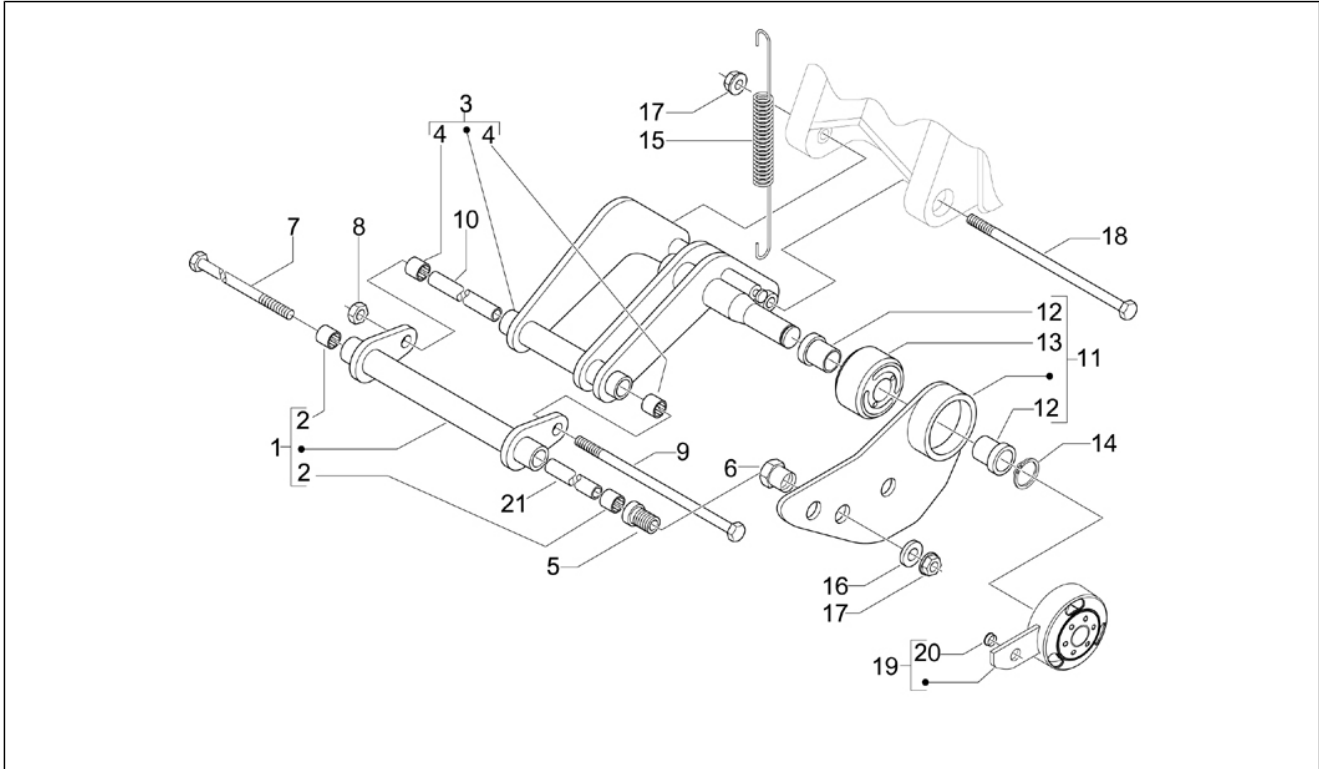
Pos.	Code	Description	Qty	Variants
1	641487	Meter combination	1	
2	642889	Analogue rpm indicator	1	
3	164634	12v-1.2w bulb	4	
4	639663	Tell tale lamps unit	1	
5	164634	12v-1.2w bulb	2	
6	297498	Self tapping screw M3,5x13	3	
7	297498	Self tapping screw M3,5x13	3	
8	241936	Self locking nut M6	3	
9	241936	Self locking nut M6	2	

<b>Group</b>	Handlebars/Steering
<b>Code</b>	03.06
<b>Description</b>	Handlebars - Master cil.
<b>Service</b>	1



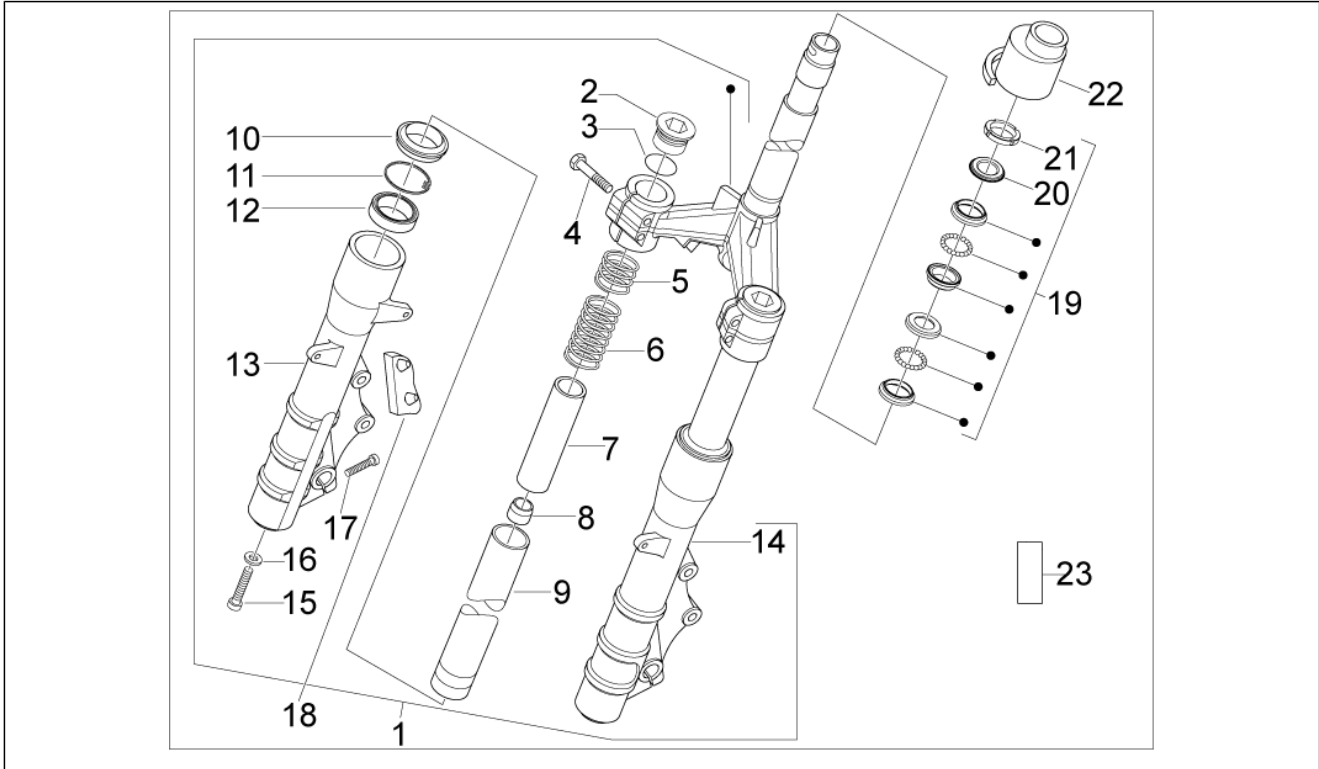
Pos.	Code	Description	Qty	Variants
1	6541635	Handlebar	1	
2	655554	Hex socket screw M10x65	1	
3	178790	Flat washer 22x10,3x2,5	1	
4	012543	Flat elastic washer with internal tothing 17x10,3x2	1	
5	015330	Nut M10	1	
7	CM081202	(Heng Tong) Right brake pump	1	
8	600475	Brake lever (Heng Tong)	1	
9	600478	U-bolt (Heng Tong)	1	
10	CM081203	(Heng Tong) Left brake pump	1	
11	600475	Brake lever (Heng Tong)	1	
12	600478	U-bolt (Heng Tong)	1	
13	667759	Throttle control sleeve assembly	1	
14	640727	Right electric device	1	
15	271434	screw M6x55	2	
16	271453	Grip, r.h.	1	
17	649661	Transmission	1	
18	649662	Transmission	1	
19	667760	Electric control hand grip	1	
21	271452	Grip, l.h.	1	
22	673243	Anti vib.weight trailing	2	

<b>Group</b>	Suspensions - Wheels
<b>Code</b>	04.01
<b>Description</b>	Swinging arm
<b>Service</b>	1



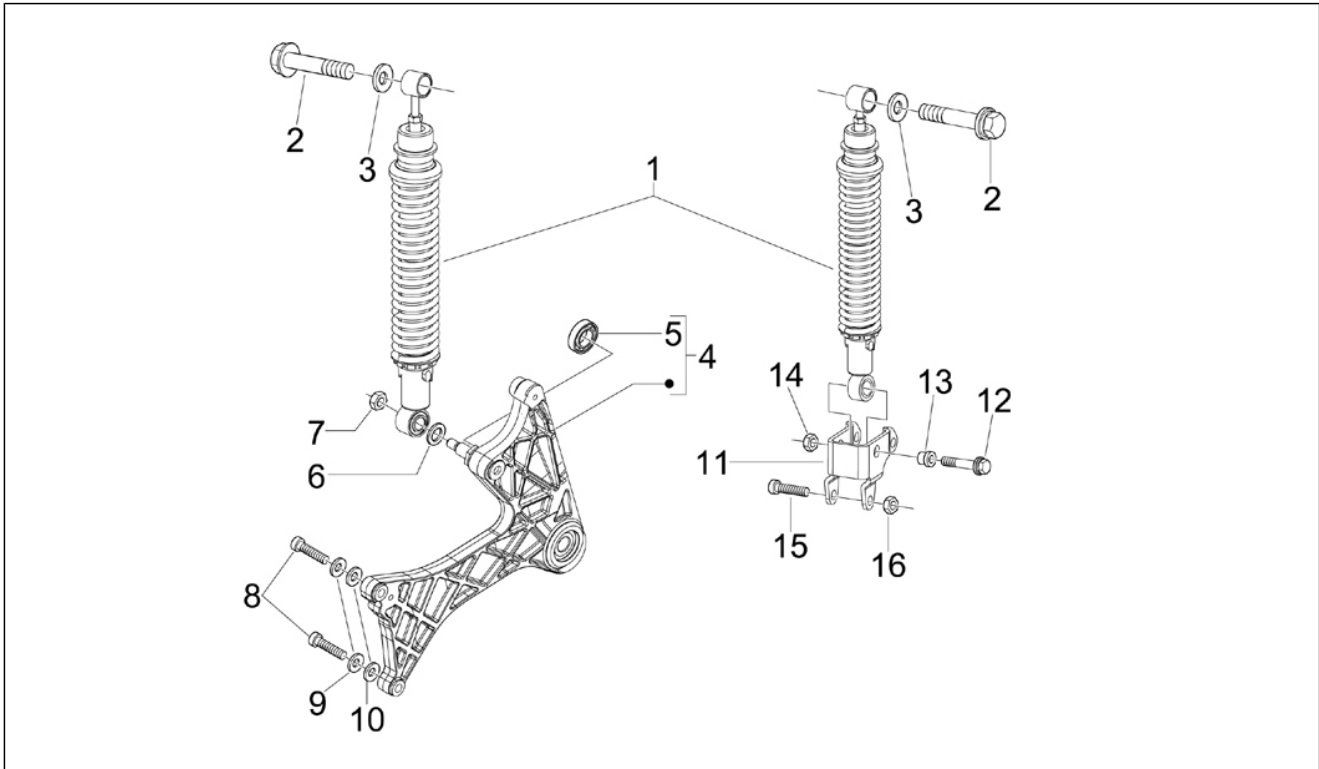
Pos.	Code	Description	Qty	Variants
1	56475R	Complete swinging arm on frame side	1	
2	597374	Roller cage	2	
3	597502	Swinging arm	1	
4	597374	Roller cage	2	
5	597079	Bush	1	
6	564611	Nut m22x2 h=8	1	
7	597080	Hex socket screw	1	
8	002440	Self locking nut M10	1	
9	271779	Hex socket screw M10x215	1	
10	CM067805	Spacer	1	
11	650904	Stand plate	1	
12	273460	Bush	2	
13	272750	Silent-block	1	
14	006416	Circlip	1	
15	651027	Spring	1	
16	597230	Washer	1	
17	564878	Nut	2	
18	597081	screw	1	
19	647872	Silent block cover	1	
20	830056	Knurled bushing	1	
21	650755	Spacer	4	
21	CM067806	Spacer	1	

<b>Group</b>	Suspensions - Wheels
<b>Code</b>	04.02
<b>Description</b>	Fork/steering tube - Steering bearing unit
<b>Service</b>	1



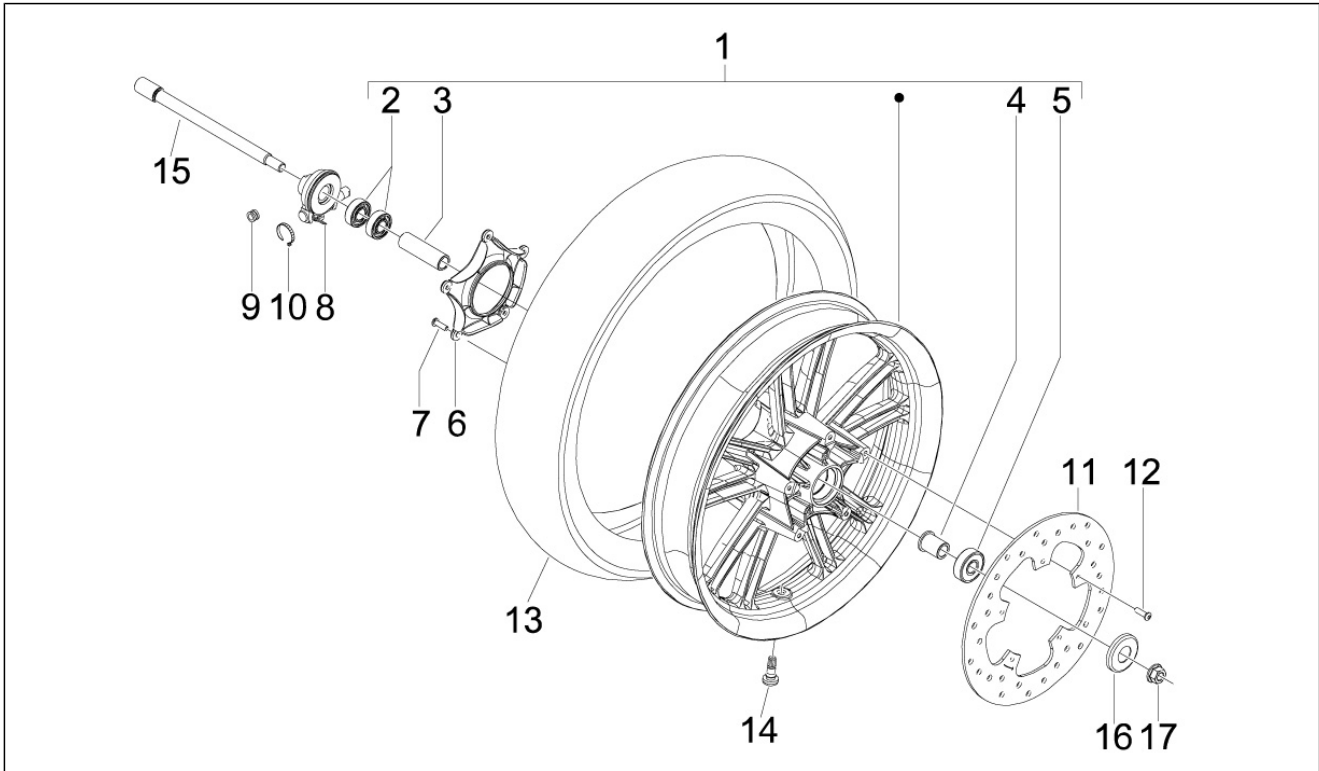
Pos.	Code	Description	Qty	Variants
1	647438	Front fork assembly	1	
2	601312	Plug	2	
3	497017	O-ring	2	
4	600270	screw	4	
5	599421	Spring	2	
6	601309	Fork spring	2	
7	601308	Fork cylinder	2	
8	497011	Oil plug	2	
9	601307	Fork stanchion KAIABA	2	
10	600269	Dust cover ring ABS	2	
11	497132	Gasket ring	2	
12	601310	Fork oil seal ABS	2	
13	497006	RH sleeve	1	
14	497005	LH sleeve	1	
15	599269	screw (KAYABA)	2	
16	599270	Washer (KAYABA)	2	
17	649619	screw	2	
18	599931	Cover	1	
19	6009215	Steering bearing assy.	1	
20	582787	Steering security plate	1	
21	0111094	Steering tube ring nut	2	
22	975683	Collar	1	
23	293591	Reflector	2	Country:Australia[AU]

<b>Group</b>	Suspensions - Wheels
<b>Code</b>	04.10
<b>Description</b>	Rear suspension - Shock absorber/s
<b>Service</b>	1



Pos.	Code	Description	Qty	Variants
1	647524	Rear shock absorber cpl.	2	
2	268158	Screw w/ flange M10	2	
3	178790	Flat washer 22x10,3x2,5	2	
4	849125	Braccio sospensione DX completo	1	
5	82545R	Ball bearing	1	
6	016627	Washer	1	
7	002440	Self locking nut M10	1	
8	826298	Hex socket screw	2	
9	709047	Spring washer	2	
10	013776	Washer	2	
11	647610	Rear Shock absorber fixing bracket	1	
12	268158	Screw w/ flange M10	1	
13	647621	Bushing	1	
14	002440	Self locking nut M10	1	
15	844483	Hex socket screw M8x50	2	
16	195483	Self locking nut M8	2	

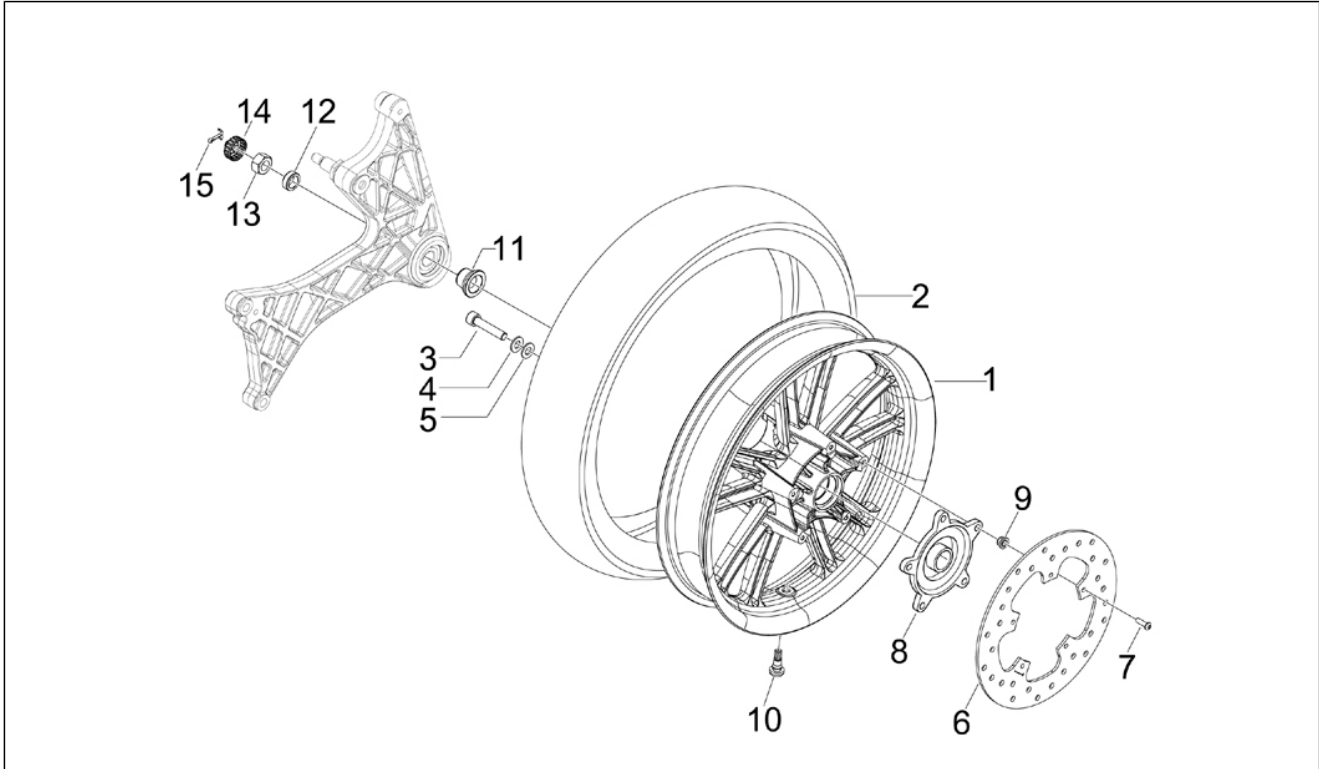
<b>Group</b>	Suspensions - Wheels
<b>Code</b>	04.11
<b>Description</b>	Front wheel
<b>Service</b>	1



Pos.	Code	Description	Qty	Variants
1	56450R	Front wheel complete	1	
2	649910	Bearing	2	
3	564447	Spacer	1	
4	564448	Short spacer	1	
4	601870	Complete spacer	1	
5	649911	Radial ball bearing	1	
6	647885	Front wheel hub cover	1	
7	582469	screw	5	
8	56436R	Speedometer encoder	1	
9	560136	Fairlead	1	
10	145298	Lock-strap L=180mm	2	
11	56393R	Brake disc	1	
12	271147	Hex socket screw M6x20	5	
13	650598	(Maxxis) Front tyre 120/70-15"	1	
13	666380	(Michelin) Front tyre 120/70-15"	1	
14	597679	Tubeless valve	1	
15	564446	Front wheel axle	1	
16	564489	RH spacer	1	
17	271740	Nut M12	1	

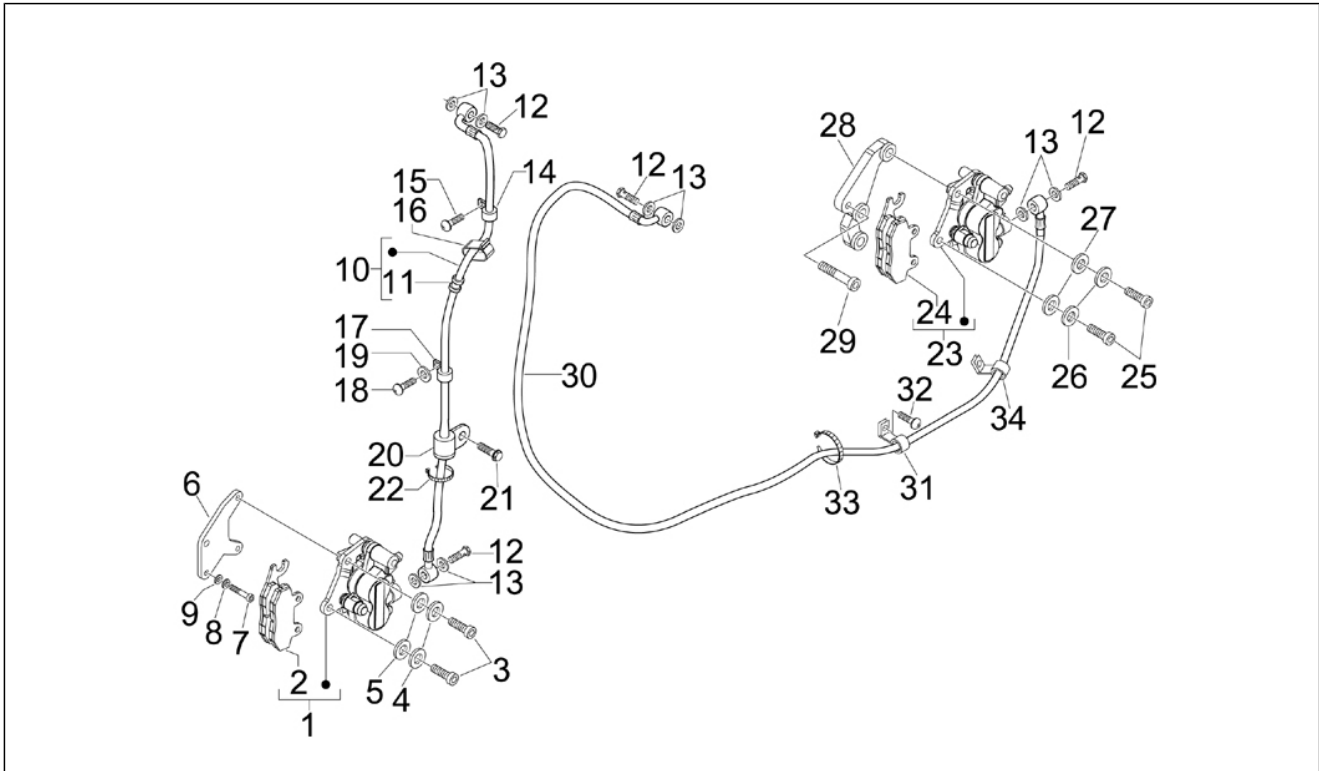


<b>Group</b>	Suspensions - Wheels
<b>Code</b>	04.12
<b>Description</b>	Rear wheel
<b>Service</b>	1



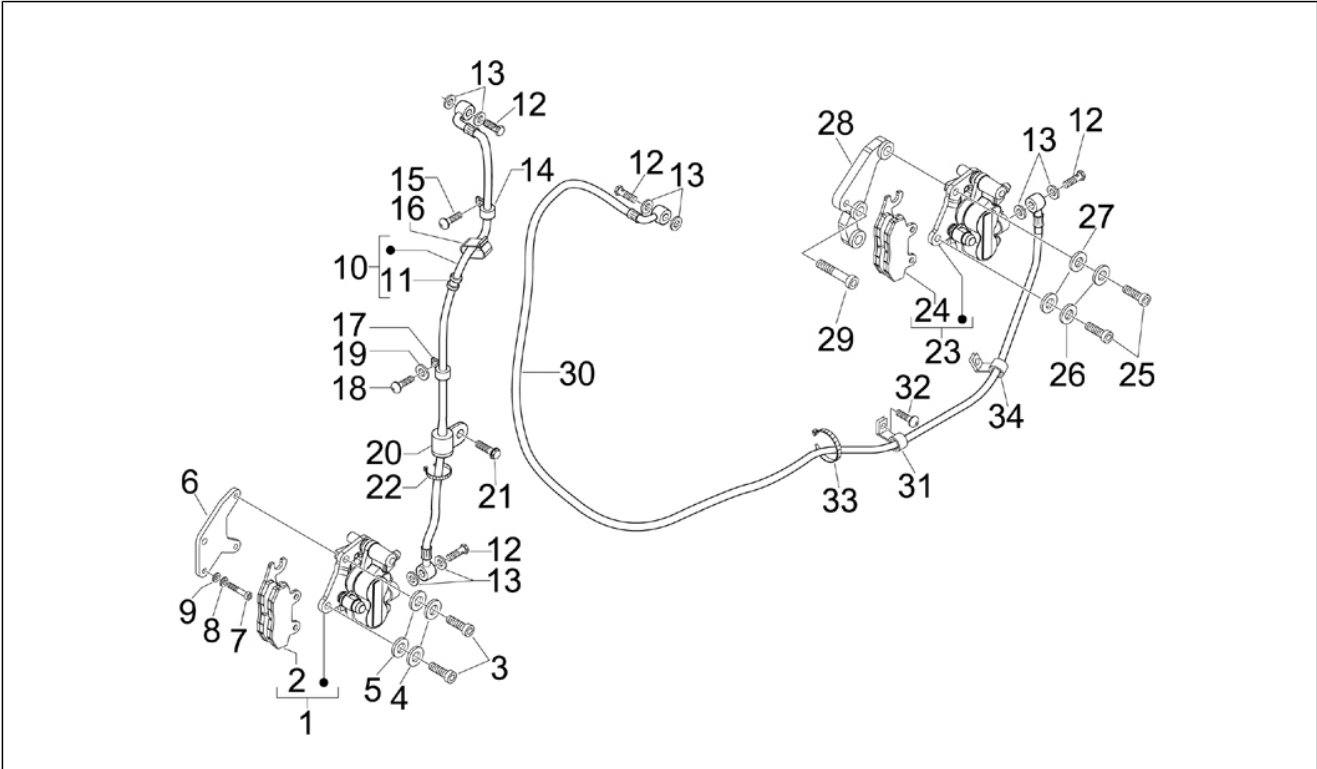
Pos.	Code	Description	Qty	Variants
1	56458R	Rear wheel	1	
2	601874	Rear tyre 140/60-14" Pirelli	1	
2	650599	Rear tyre 140/60-14" Maxxis	1	
2	666284	(Michelin) Rear tyre 140/60-14"	1	
3	825758	screw M8x40	5	
4	709047	Spring washer	5	
5	246976	Washer	5	
6	649163	Brake disc	1	
7	274370	Bolt	5	
8	647789	Rear wheel hub	1	
9	597565	Self locking nut	5	
10	597679	Tubeless valve	1	
11	848039	Wheel spacer	1	
12	597528	Spacer	1	
13	563728	Nut M16x13	1	
14	194423	Nut hold cap	1	
15	012789	Split pin	1	

<b>Group</b>	Braking system - Transmissions
<b>Code</b>	05.01
<b>Description</b>	Brakes pipes - Calipers
<b>Service</b>	1



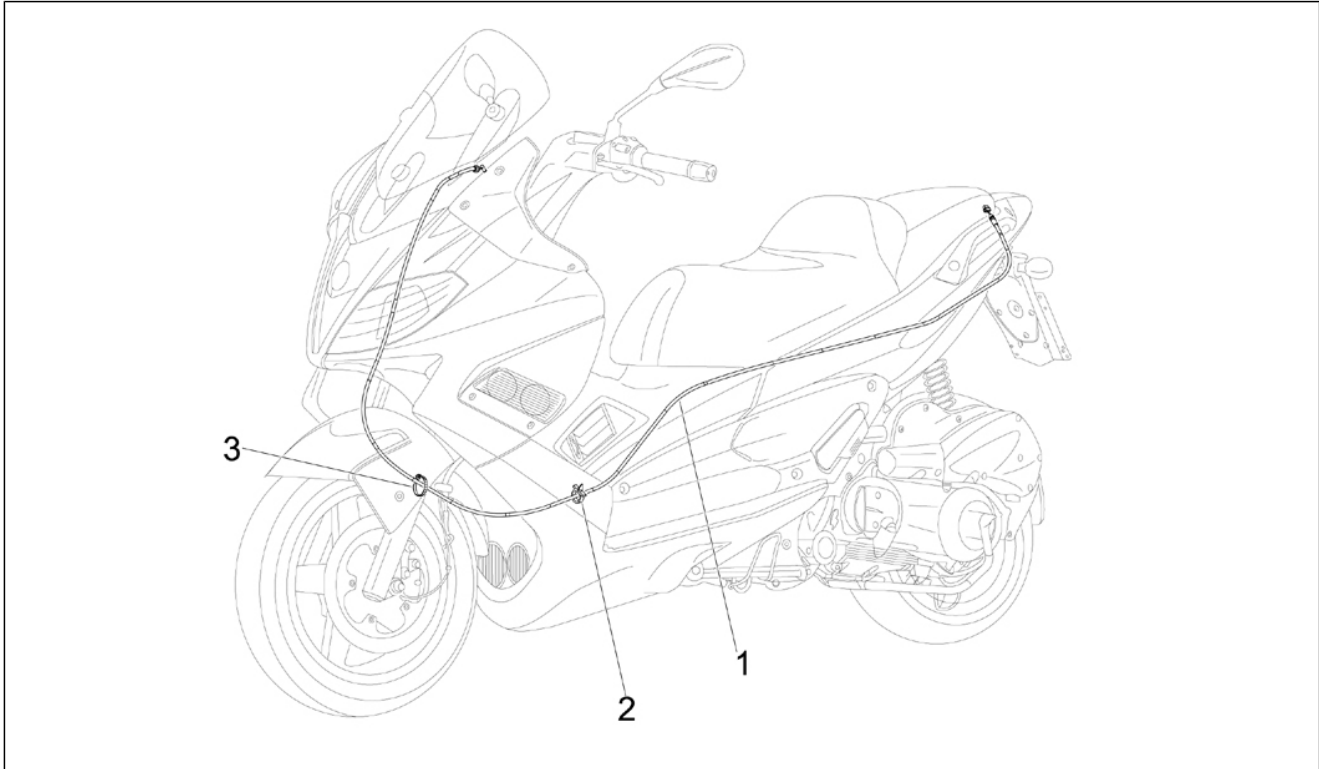
Pos.	Code	Description	Qty	Variants
1	CM068301	Brake caliper (Heng Tong)	1	
2	647078	Brake pads torque (Heng Tong)	1	
3	319165	screw	2	
4	709047	Spring washer	2	
5	016604	Washer	2	
6	649553	Brake caliper support plate	1	
7	649554	screw	2	
8	709646	Washer	2	
9	709110	Washer	2	
10	975693	BREAK PIPES	1	
11	274350	Fairlead	1	
12	265451	Oil pipe screw M10x18	4	
13	127927	Gasket	8	
14	307166	Hose clamp	1	
15	018629	screw	1	
16	564014	Hose clamp	1	
17	269273	Hose clamp	1	
18	122675	Hex socket screw	1	
19	006966	Spring washer 6,4x11x0,5	1	
20	230636	Fairlead	1	
21	434541	Screw w/ flange M6x16	1	
22	564836	Hose clamp	1	
23	CM068304	Rear brake caliper	1	
24	647078	Brake pads torque (Heng Tong)	1	
25	598921	screw	2	
26	709047	Spring washer	2	
27	828961	Flat washer 8,2x17x2,5	2	
28	649162	***CALIPER SUPPORT PLATE	1	

<b>Group</b>	Braking system - Transmissions
<b>Code</b>	05.01
<b>Description</b>	Brakes pipes - Calipers
<b>Service</b>	1



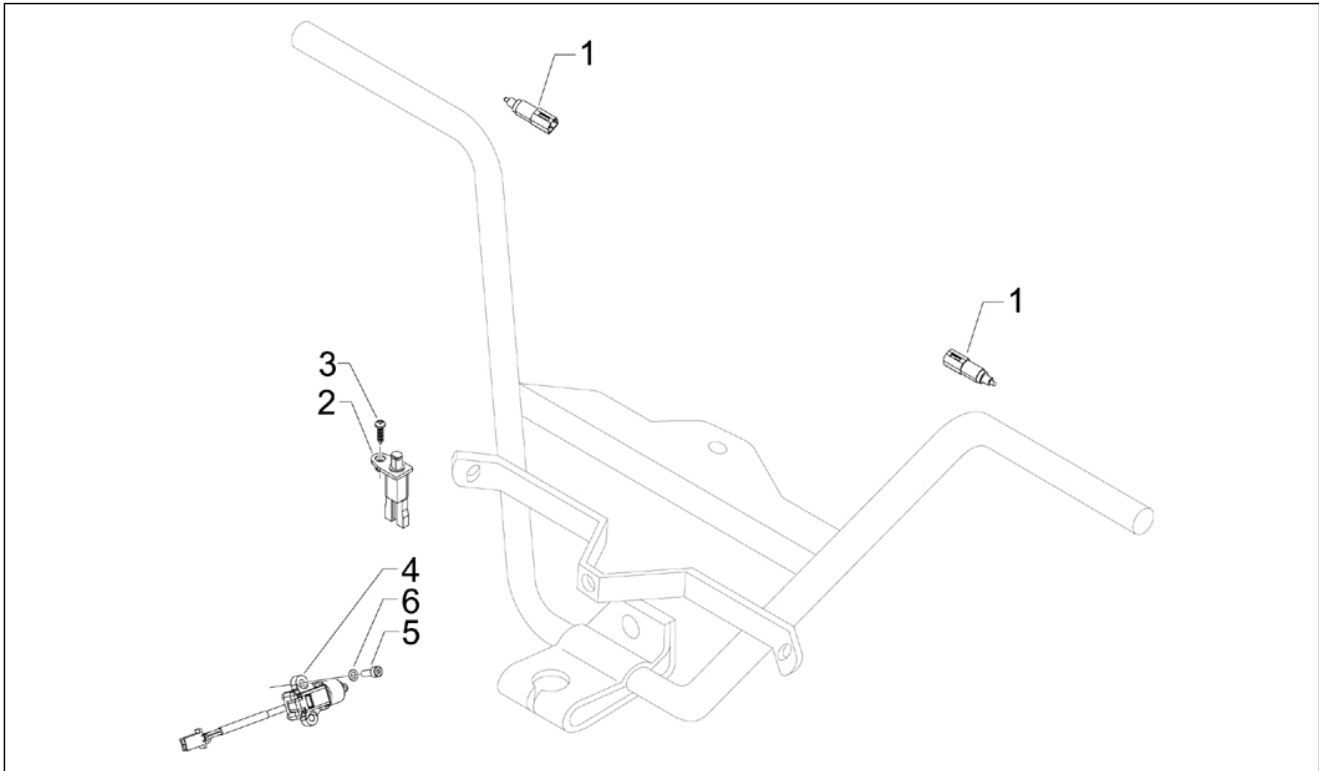
Pos.	Code	Description	Qty	Variants
29	647799	screw	2	
30	647695	***REAR BRAKE PIPE	1	
31	229343	Hose clamp	1	
32	272836	Screw M6x16	1	
33	257134	Lock-strap L=277	5	
34	564761	Hose clamp	2	

<b>Group</b>	Braking system - Transmissions
<b>Code</b>	05.03
<b>Description</b>	Transmissions
<b>Service</b>	1



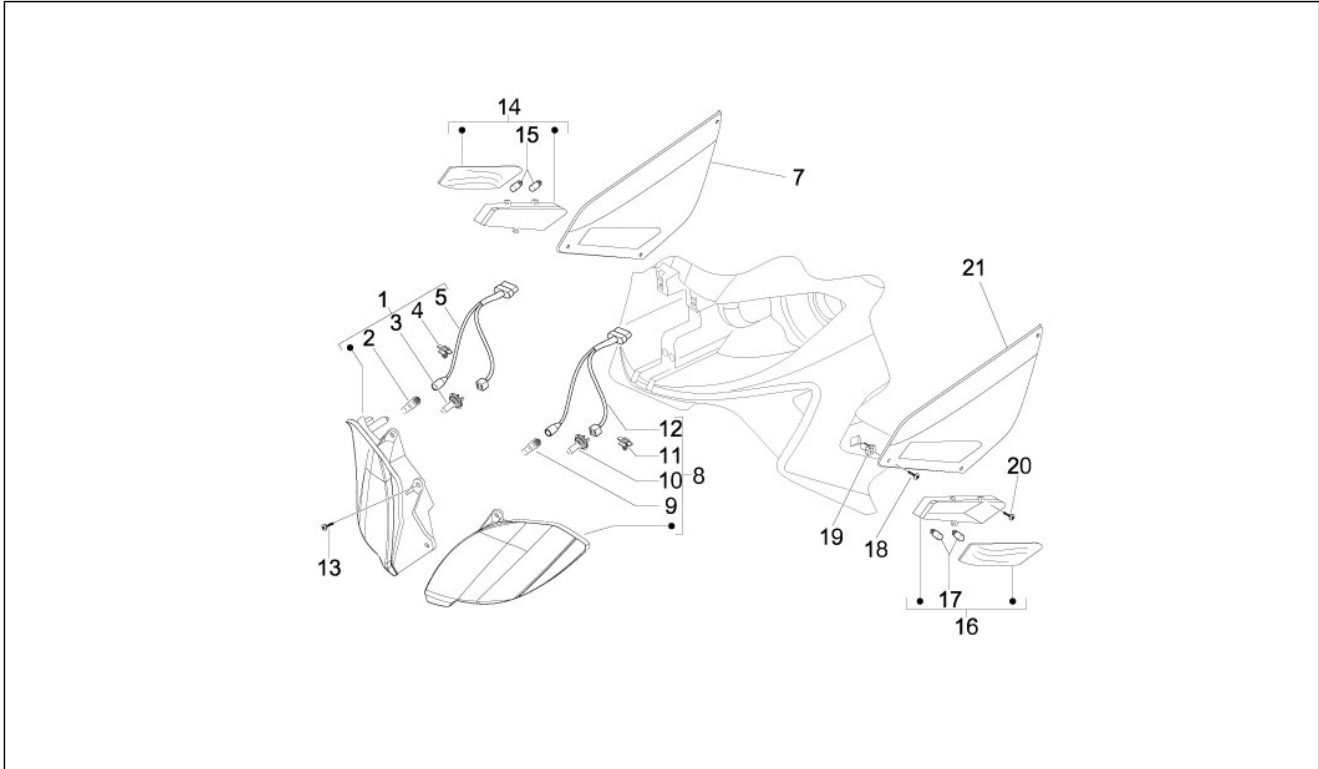
Pos.	Code	Description	Qty	Variants
1	CM012827	Saddle closing transmission	1	
2	140435	Spring	1	
3	257134	Lock-strap L=277	4	

<b>Group</b>	Electrical system
<b>Code</b>	06.01
<b>Description</b>	Selectors - Switches - Buttons
<b>Service</b>	1



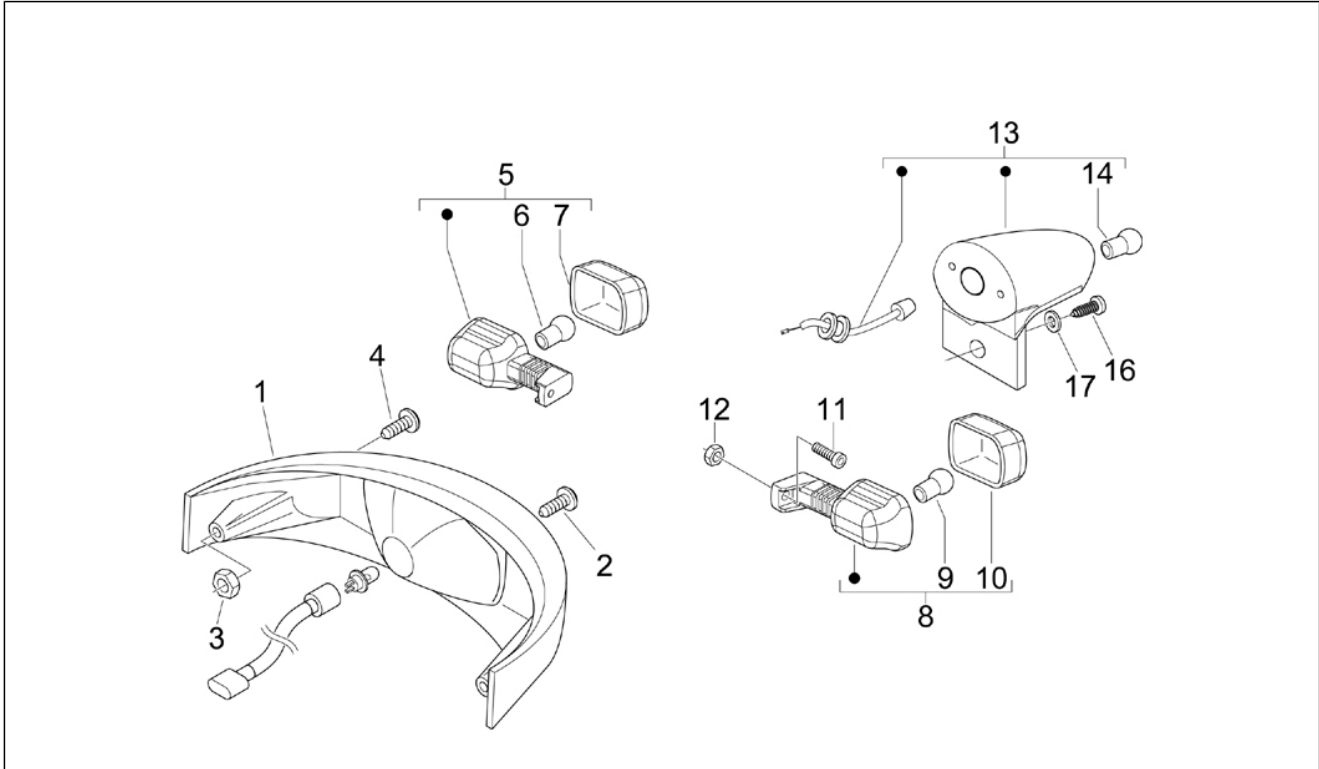
Pos.	Code	Description	Qty	Variants
1	642032	stop Button	2	
2	584826	Button	1	
3	015911	Self tapping screw 4,2x16	1	
4	639542	Button for side stand	1	
5	292889	Hex socket screw M5x16	2	
6	012532	Washer 5,3x10x0	2	

<b>Group</b>	Electrical system
<b>Code</b>	06.03
<b>Description</b>	Front headlamps - Turn signal lamps
<b>Service</b>	1



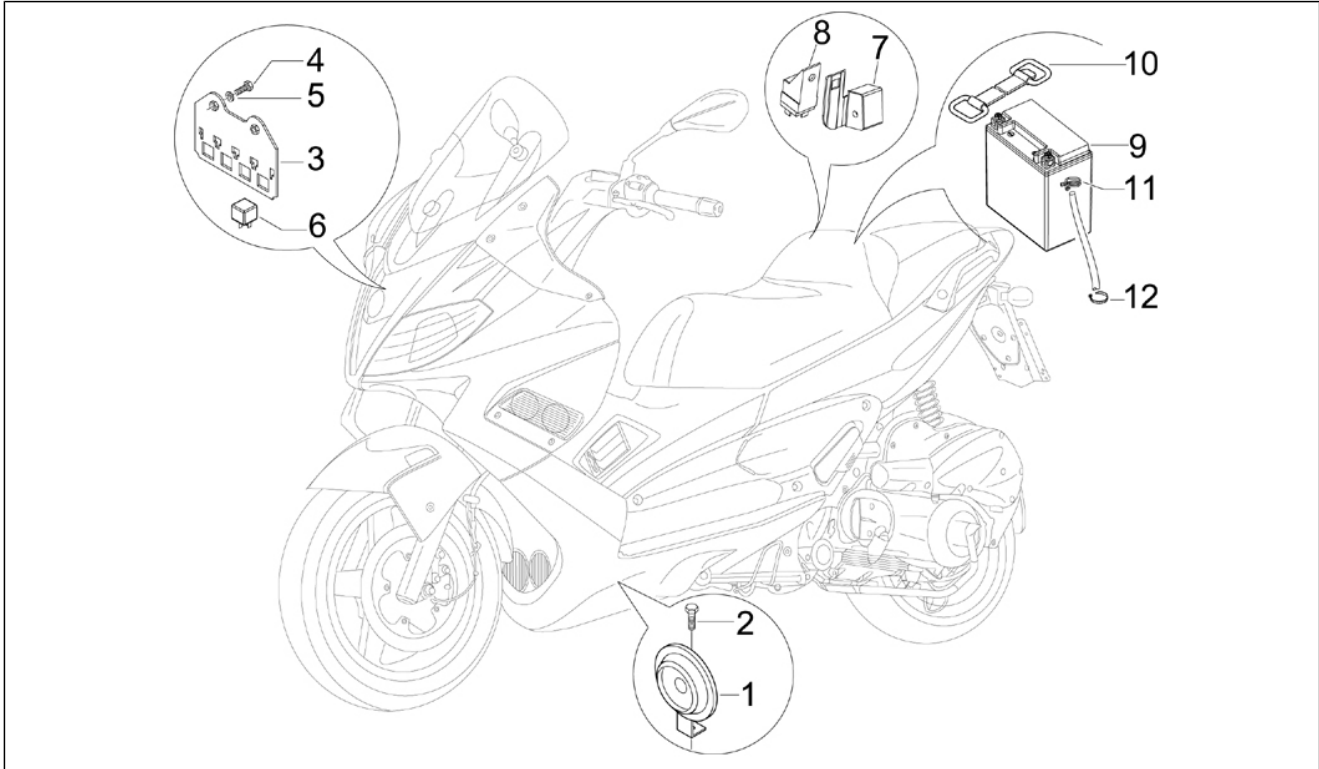
Pos.	Code	Description	Qty	Variants
1	584486	Headlamp	1	Country:europa[EU]
1	638696	Headlamp	1	Country:Japan[JP], Great Britain[UK]
2	292022	Lamp 12V-5W	1	
3	294353	Lamp H7 55W 12V	1	
4	584002	Maintenance	1	
5	584906	Cable harn.	1	Country:europa[EU]
5	638698	Right cable harness	1	Country:Japan[JP], Great Britain[UK]
7	624377000G	RH support	1	
8	584747	Headlamp	1	Country:europa[EU]
8	638697	Headlamp	1	Country:Japan[JP], Great Britain[UK]
9	292022	Lamp 12V-5W	1	
10	294353	Lamp H7 55W 12V	1	
11	584002	Maintenance	1	
12	584907	Cable harn.	1	Country:europa[EU]
12	638699	Left cable harness	1	Country:Japan[JP], Great Britain[UK]
13	272836	Screw M6x16	6	
14	639477	RH front turn indicator	1	
15	581904	Lamp	2	
16	639478	LH front turn indicator	1	
17	581904	Lamp	2	
18	267958	Self tapping screw L=20 mm	6	
19	199190	Expansion plug	6	
20	297498	Self tapping screw M3,5x13	6	
21	624376000G	LH support	1	

<b>Group</b>	Electrical system
<b>Code</b>	06.04
<b>Description</b>	Rear headlamps - Turn signal lamps
<b>Service</b>	1



Pos.	Code	Description	Qty	Variants
1	641507	Taillight	1	
2	018623	Self-tapping screw	1	
3	241936	Self locking nut M6	2	
4	258249	screw 4,2x19	2	
5	639670	LH front/RH rear turn indic.	1	
6	584332	Lamp 12V-10W	1	
7	639338	glass	1	
8	639669	RH front/LH rear turn indic.	1	
9	584332	Lamp 12V-10W	1	
10	639338	glass	1	
11	296170	screw M6x14	2	
12	241936	Self locking nut M6	2	
13	583332	Rear licence plate light	1	
14	292022	Lamp 12V-5W	1	
16	267115	Self tapping screw M4x16	1	
17	003054	Washer 4,3x8x0,5	1	

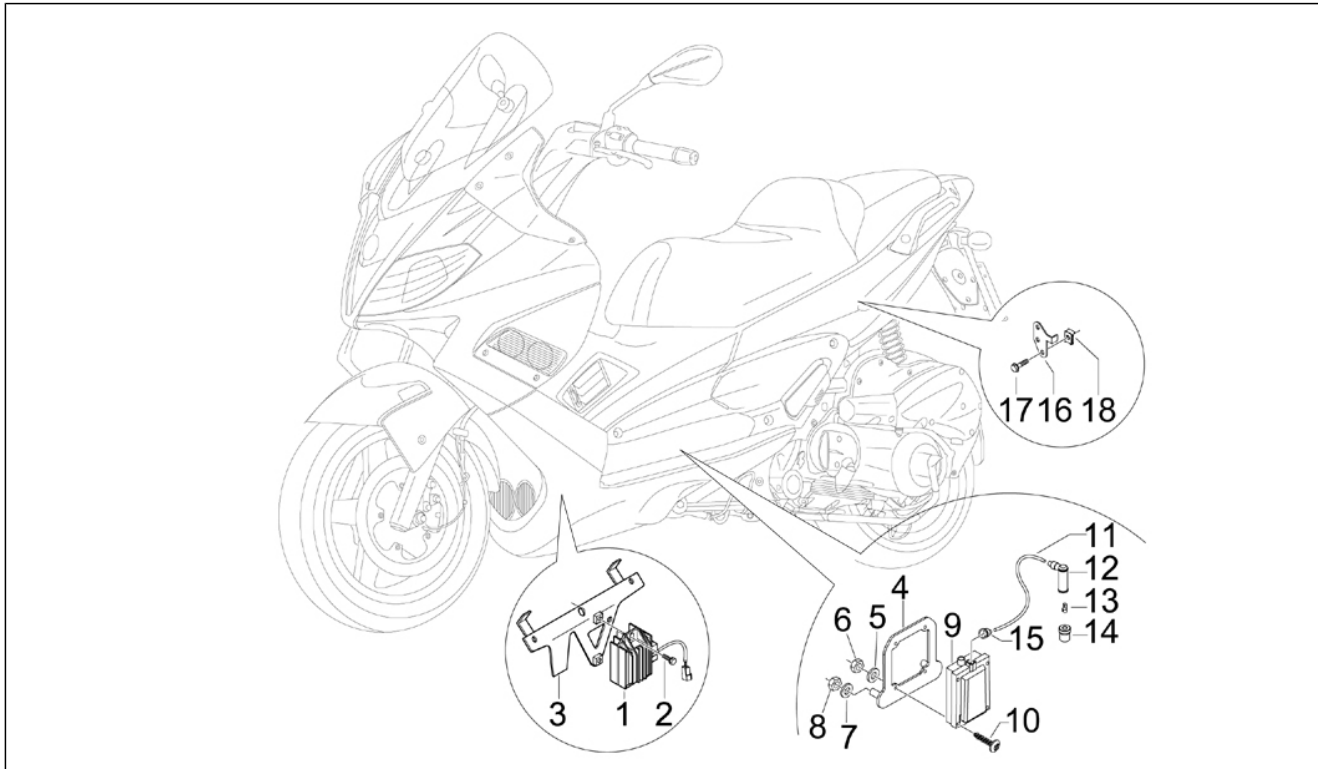
<b>Group</b>	Electrical system
<b>Code</b>	06.05
<b>Description</b>	Remote control switches - Battery - Horn
<b>Service</b>	1



Pos.	Code	Description	Qty	Variants
1	CM071801	Horn	1	
2	434541	Screw w/ flange M6x16	1	
3	975749	Bracket	1	
4	272836	Screw M6x16	2	
5	078307	Washer	2	
6	58099R	Rem. control switch 12V-30A	3	
7	584305	Square	1	
8	58115R	Starter relay 12V-80A	1	
9	583158	Battery (Yuasa) 12V-10Ah	1	
10	583921	Strip	1	
11	582153	Non return spring	1	
12	145298	Lock-strap L=180mm	1	

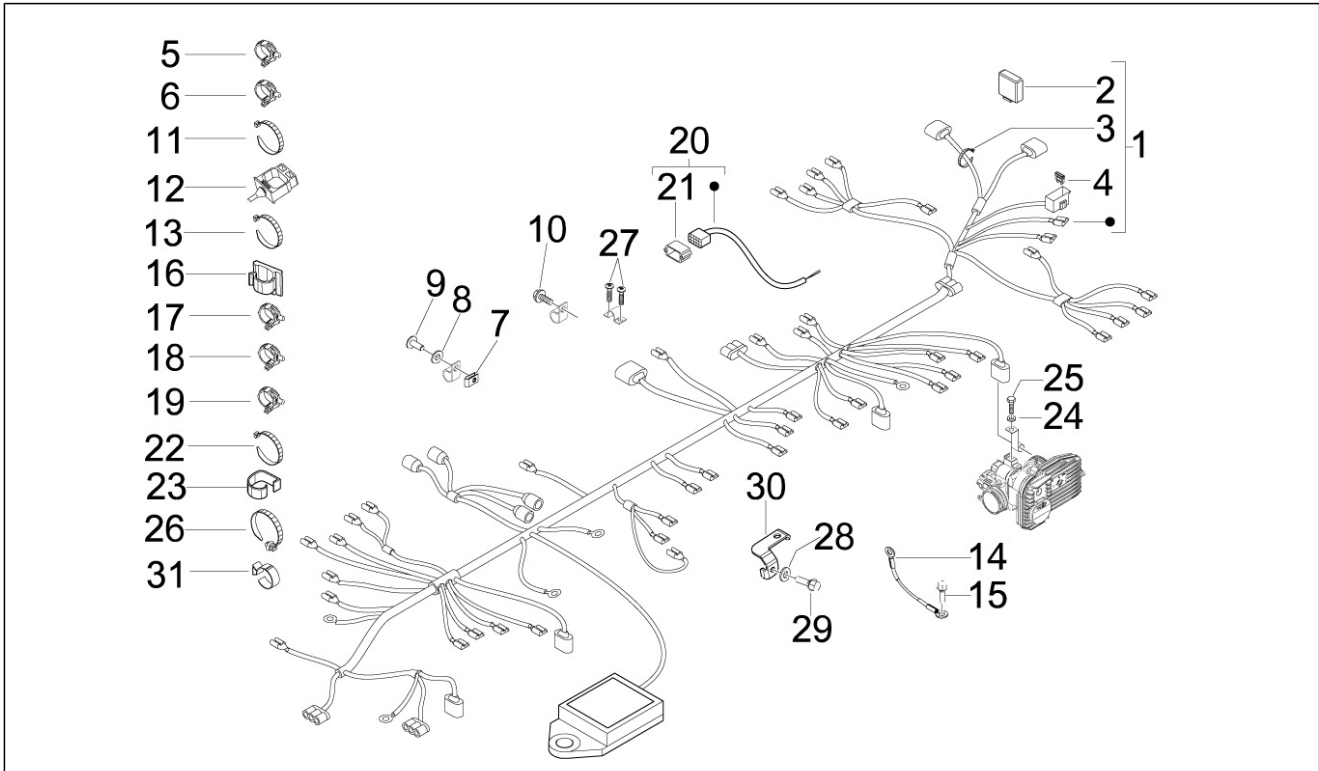


<b>Group</b>	Electrical system
<b>Code</b>	06.06
<b>Description</b>	Voltage Regulators - Electronic Control Units (ecu) - H.T. Coil
<b>Service</b>	1



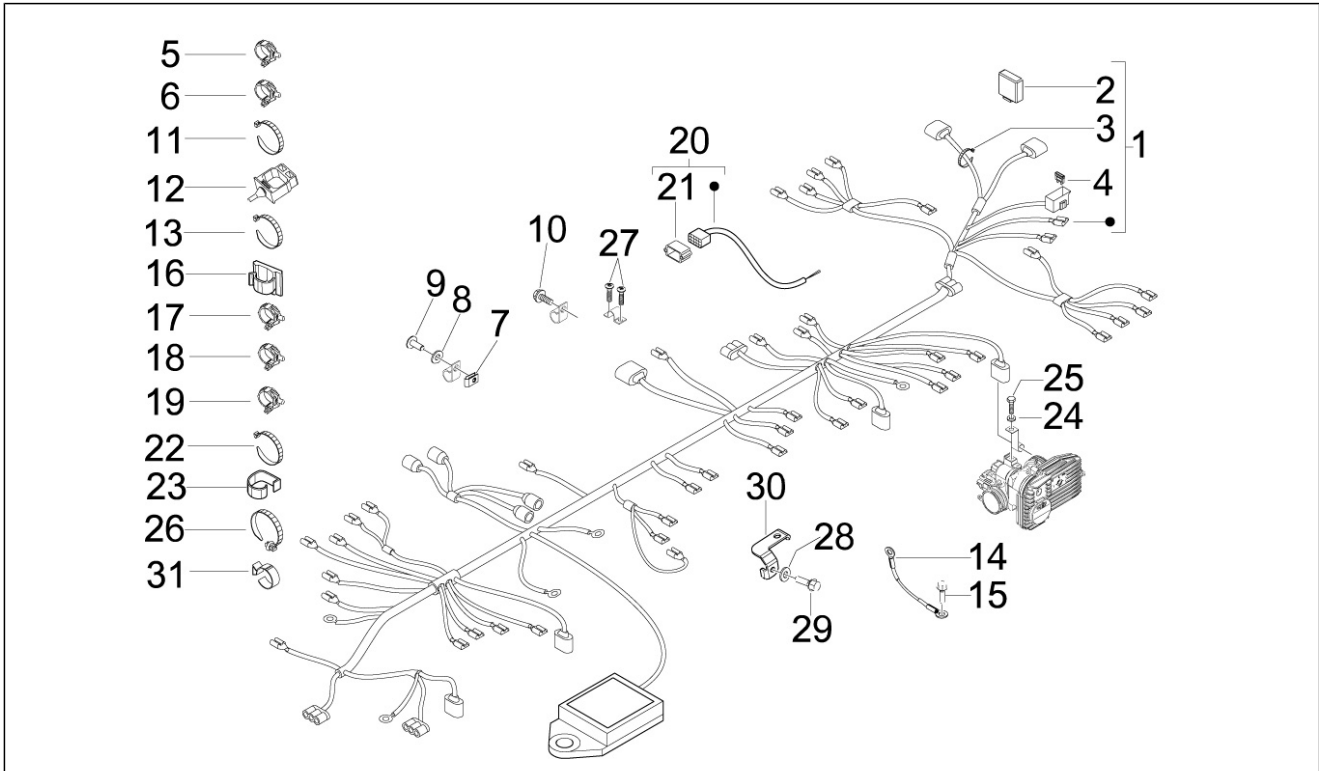
Pos.	Code	Description	Qty	Variants
1	639110	Voltage regulator (SHIND.)	1	
2	828863	Screw w/ flange	2	
3	640615	Voltage regulator support	1	
4	641654	HV COIL SUPPORT	1	
5	012554	Washer 3.2x5.7x0.9	4	
6	020003	Nut m3	4	
7	006125	Flat washer	2	
8	241936	Self locking nut M6	2	
9	58120R	HT coil	1	
10	583236	screw M3x20	4	
11	080341	H.V. cable	1	
12	293845	Screened cap	1	
13	015014	End cap	1	
14	641219	Spark.plug protection clamp	1	
15	071671	Insulating cap	1	
16	584772	Bracket	1	
17	434541	Screw w/ flange M6x16	2	
18	254485	Spring plate M6	2	

<b>Group</b>	Electrical system
<b>Code</b>	06.08
<b>Description</b>	Main cable harness
<b>Service</b>	1



Pos.	Code	Description	Qty	Variants
1	640709	Main wiring harness	1	<b>Technical specification:</b> MIU G2 control unit[MG2]
1	680087	Main wiring harness	1	<b>Technical specification:</b> MIU G3 control unit[MG3]
2	640963	ELECTRIC CONTROLS MANAGEMENT DEVICE	1	
3	145298	Lock-strap L=180mm	1	
4	252945	Fuse 7,5A	6	
4	290860	Fuse 15A	3	
4	292507	Fuse 10A	1	
4	581440	Fuse 30A	1	
5	CM006908	Non return spring L=23	1	
6	CM006906	Non return spring L=33	2	
7	CM017405	Spring plate	1	
8	013763	Flat washer 4,2x12x1	1	
9	015728	screw	1	
10	018639	Hex screw M6x20	1	
11	145298	Lock-strap L=180mm	9	
12	291017	Flexible support	1	
13	257134	Lock-strap L=277	8	
14	584843	Ground cable	1	
15	031089	Hex screw M6x18	1	
16	577594	Spring clamp	3	
17	CM006902	Non return spring	1	
18	CM006903	Pipes/cables retainer spring	2	
19	CM006904	Non return spring l=27	1	
20	639764	Instrument wiring harness	1	
21	582172	Cap	1	
22	638792	Hose clamp	1	
23	564761	Hose clamp	2	
24	012528	Washer	1	

<b>Group</b>	Electrical system
<b>Code</b>	06.08
<b>Description</b>	Main cable harness
<b>Service</b>	1



Pos.	Code	Description	Qty	Variants
25	125647	screw	1	
26	298729	Hose clamp	1	
27	272836	Screw M6x16	2	
28	012528	Washer	1	
29	484123	Screw w/ flange	1	
30	639843	Bracket	1	
31	584520	Connector spring	1	