



PIAGGIO & C.s.p.a.

**aprilia**

## SPARE PARTS CATALOGUE



### SR MAX 125 2011-2013

Chassis prefix: ZAPM35700

Engine prefix: M357M

## Index

Finished products.....	4
Alphanumeric index.....	5
Engine.....	10
Table 01.02 - Engine, assembly.....	10
Table 01.05 - Crankcase.....	11
Table 01.06 - Crankshaft.....	13
Table 01.07 - Cylinder-piston-wrist pin unit.....	14
Table 01.10 - Head unit - Valve.....	15
Table 01.11 - Rocking levers support unit.....	16
Table 01.12 - Cylinder head cover.....	17
Table 01.13 - Driving pulley.....	18
Table 01.14 - Driven pulley.....	19
Table 01.15 - Crankcase cover - Crankcase cooling.....	20
Table 01.18 - Oil pump.....	21
Table 01.19 - Cooler pump.....	22
Table 01.20 - Stater - Electric starter.....	23
Table 01.21 - Flywheel magneto.....	24
Table 01.23 - Flywheel magneto cover - Oil filter.....	25
Table 01.25 - Reduction unit.....	26
Table 01.36 - Throttle body - Injector - Union pipe.....	27
Table 01.42 - Silencer.....	28
Table 01.45 - Air filter.....	29
Frame - Plastic parts - Coachwork.....	30
Table 02.01 - Frame/bodywork.....	30
Table 02.25 - Stand/s.....	31
Table 02.26 - Front shield.....	32
Table 02.27 - Windshield - Glass.....	34
Table 02.30 - Front glove-box - Knee-guard panel.....	35
Table 02.31 - Central cover - Footrests.....	36
Table 02.32 - Side cover - Spoiler.....	39
Table 02.33 - Wheel huosing - Mudguard.....	41
Table 02.34 - Helmet huosing - Undersaddle.....	43
Table 02.37 - Rear cover - Splash guard.....	44
Table 02.38 - Plates - Emblems.....	45
Table 02.39 - Saddle/seats - Tool roll.....	46
Table 02.45 - Driving mirror/s.....	47
Table 02.46 - Locks.....	48
Table 02.47 - Fuel tank.....	49
Table 02.55 - Cooling system.....	50
Handlebars/Steering.....	52
Table 03.01 - Handlebars coverages.....	52
Table 03.02 - Meter combination - Cruscotto.....	53
Table 03.06 - Handlebars - Master cil.....	54

---

Suspensions - Wheels.....	55
Table 04.01 - Swinging arm.....	55
Table 04.02 - Fork/steering tube - Steering bearing unit.....	56
Table 04.10 - Rear suspension - Shock absorber/s.....	57
Table 04.11 - Front wheel.....	58
Table 04.12 - Rear wheel.....	59
Braking system - Transmissions.....	60
Table 05.01 - Brakes pipes - Calipers.....	60
Table 05.03 - Transmissions.....	62
Electrical system.....	63
Table 06.01 - Selectors - Switches - Buttons.....	63
Table 06.03 - Front headlamps - Turn signal lamps.....	64
Table 06.04 - Rear headlamps - Turn signal lamps.....	65
Table 06.05 - Remote control switches - Battery - Horn.....	66
Table 06.06 - Voltage Regulators - Electronic Control Units (ecu) - H.T. Coil.....	67
Table 06.08 - Main cable harness.....	68

## Finished products

Code	Validity
EGS6000I01	
EGS6XNHI01	
NGS6000U01	
NGS6000U02	
NGS6000U03	
NGS6000U04	
NGS6BMHU03	
NGS6BMHU04	
NGS6XNHU01	
NGS6XNHU02	
NGS8000U01	
NGS8000U02	
NGS8BMHU03	
NGS8BMHU04	
NGS8XNHU01	
NGS8XNHU02	

Code	No. table	Pos.	Code	No. table	Pos.	Code	No. table	Pos.
000097	01.21	8	020003	06.06	6	254485	02.31	44
000674	01.05	7	020008	04.10	14	254485	02.31	53
003038	06.06	21	020104	02.31	48	254485	02.32	6
003054	06.04	16	020104	02.37	16	254485	02.33	13
003055	02.31	41	020206	02.26	19	254485	02.33	25
003056	01.19	11	020206	02.26	21	254485	02.34	26
003056	01.45	17	020206	02.27	6	254485	02.47	5
003056	01.45	20	020210	02.31	28	254485	02.55	13
003058	02.31	16	020210	02.31	32	254485	06.06	18
003058	02.31	24	030115	02.25	2	257134	02.47	25
006125	06.06	7	031089	06.08	15	257134	02.55	25
006416	04.01	21	031117	06.06	19	257134	05.01	31
006635	01.15	2	063435	01.10	19	257134	05.03	3
006966	05.01	19	071633	02.34	14	257134	06.08	13
006976	02.33	12	071671	06.06	15	257301	02.34	24
006976	02.33	21	078307	02.37	8	257302	02.34	25
006976	02.33	8	078307	02.47	8	258146	01.45	4
008375	01.20	6	078307	06.05	5	258249	02.26	12
008423	02.31	40	080341	06.06	11	258249	02.31	2
011109	04.02	21	122637	01.21	2	258249	02.31	50
012528	02.47	23	122675	05.01	18	258249	02.31	60
012528	06.08	24	125647	06.08	25	258249	02.31	9
012528	06.08	28	127927	05.01	13	258249	02.32	11
012532	06.01	6	140435	05.03	2	258249	02.32	17
012533	01.45	16	145298	01.42	15	258249	02.32	22
012533	01.45	19	145298	04.11	10	258249	02.32	26
012533	02.01	4	145298	06.05	12	258249	02.32	8
012543	03.06	4	145298	06.06	22	258249	02.33	26
012554	06.06	5	145298	06.08	11	258249	02.33	28
012789	04.12	15	145298	06.08	3	258249	03.01	20
013092	02.34	23	164245	02.25	15	258249	06.04	4
013092	02.55	16	164634	03.02	3	258904	02.55	10
013762	02.33	6	164634	03.02	5	258904	02.55	19
013763	02.31	6	168077	02.55	21	259166	01.45	15
013763	02.37	14	178790	03.06	3	259349	02.26	6
013763	06.08	8	178790	04.10	2	259349	02.31	5
013776	04.10	10	180859	02.33	16	259349	03.01	13
013880	06.08	32	181351	01.15	11	259349	03.01	19
013950	02.01	5	182302	03.01	5	259372	02.30	4
013963	02.32	3	182302	03.01	7	259830	02.26	5
015014	06.06	13	191189	02.25	14	259830	02.27	12
015330	03.06	5	191962	02.34	5	259830	02.32	28
015727	02.46	4	194423	04.12	14	259830	02.55	15
015728	06.08	9	195482	02.47	9	259933	02.31	14
015729	01.19	3	199190	02.26	25	259933	02.31	21
015792	01.42	16	199190	06.03	19	260918	01.36	7
015804	02.33	11	18000256	02.46	2	260918	01.45	12
015911	06.01	3	227983	02.37	5	265451	05.01	12
015935	02.47	24	229343	05.01	16	267115	03.01	18
015996	02.31	46	230636	05.01	20	267115	06.04	15
016404	02.37	15	239388	01.05	10	267958	02.31	58
016408	06.06	20	239388	01.05	4	267958	06.03	18
016604	05.01	5	239388	01.15	4	268158	04.10	12
016627	04.10	6	241936	01.45	14	268304	02.47	7
016670	02.34	10	241936	03.02	8	268596	02.37	3
016670	02.55	31	241936	03.02	9	269134	02.26	27
018553	01.15	6	241936	06.04	12	269273	05.01	17
018555	02.39	5	241936	06.04	3	269755	01.25	13
018575	01.05	16	241936	06.06	8	270723	02.34	16
018575	01.21	3	246976	04.12	3	270793	02.32	2
018591	02.37	13	252099	02.34	9	270793	02.34	21
018623	02.34	2	252099	02.55	32	270793	02.34	8
018623	06.04	2	252945	06.08	4	270793	02.55	9
018639	01.11	13	254485	01.45	13	270793	03.01	12
018639	02.33	20	254485	02.26	10	271147	04.11	12
018639	06.08	10	254485	02.26	3	271434	03.06	23
018640	01.45	18	254485	02.30	3	271452	03.06	21

Code	No. table	Pos.	Code	No. table	Pos.	Code	No. table	Pos.
271453	03.06	16	315092	02.31	23	486081	01.05	13
271740	04.11	17	319165	05.01	3	486324	01.13	10
271779	04.01	13	327187	04.11	2	486324	01.14	18
271891	02.34	22	351782	02.55	18	486336	01.11	11
272426	02.25	6	411296	01.10	14	486343	01.11	7
272750	04.01	19	411311	01.05	3	486362	01.07	5
272836	02.32	5	414837	01.18	19	486972	01.11	12
272836	02.33	24	414837	01.20	2	487211	01.25	11
272836	02.34	6	414838	01.15	17	487665	01.19	5
272836	02.37	7	414838	01.23	2	487665	01.42	6
272836	02.46	6	414838	02.33	22	487832	01.11	14
272836	04.01	24	430045	01.10	18	487936	01.14	6
272836	06.03	13	430207	01.15	12	487989	01.12	7
272836	06.05	4	430585	01.14	3	497005	04.02	14
272836	06.08	27	431065	01.05	26	497006	04.02	13
273288	02.55	17	431089	01.14	10	497011	04.02	8
273460	04.01	20	431093	01.14	4	497017	04.02	3
273754	02.25	5	431577	01.15	13	497131	04.02	10
273779	02.47	22	432142	01.05	27	497132	04.02	11
274246	01.14	17	432142	02.01	3	497553	01.02	2
274350	05.01	11	433232	01.14	8	497554	01.02	3
274370	04.12	7	434541	01.18	11	560173	02.27	5
277916	01.05	21	434541	02.55	28	56334R	04.01	11
277916	01.07	9	434541	06.05	2	563728	01.21	10
277916	01.18	9	434541	06.06	17	563728	04.12	13
285536	01.23	7	434855	01.13	4	56393R	04.11	11
285846	01.10	10	435629	01.10	2	564014	06.08	34
287223	02.26	17	436438	01.10	7	56436R	04.11	8
287223	02.26	20	436695	01.18	6	564446	04.11	15
287913	01.18	4	436698	02.31	27	564447	04.11	3
288245	02.37	11	436698	02.31	31	564448	04.11	4
288474	01.23	9	436947	01.42	19	564489	04.11	16
289731	01.15	8	463195	02.47	18	564491	04.11	5
289731	01.18	8	478115	01.05	6	56449R	02.25	1
290860	06.08	4	478115	01.07	10	56450R	04.11	1
291017	06.08	12	478985	01.15	3	56458R	04.12	1
292022	06.03	2	479515	01.21	5	564611	04.01	8
292022	06.03	9	479882	02.33	17	564629	01.18	25
292022	06.04	14	479986	01.23	5	56475R	04.01	1
292507	06.08	4	480853	01.10	3	564761	05.01	21
292823	02.31	4	482282	01.42	4	564761	06.08	23
292889	06.01	5	482305	01.14	7	564836	05.01	22
293154	02.34	13	482335	01.07	7	564878	04.01	10
293717	02.26	23	483226	01.14	13	564974	04.12	2
293717	02.26	29	483711	01.10	6	57311R	02.55	14
293845	06.06	12	483767	01.05	19	575249	02.26	2
294353	06.03	10	483785	01.05	14	575249	02.26	9
294353	06.03	3	483914	01.10	9	575249	02.27	8
294770	02.34	12	483918	01.18	17	575249	02.30	2
295590	02.31	13	484034	01.05	11	575249	02.31	43
295590	02.31	20	484123	01.11	10	575249	02.31	52
295591	02.31	17	484123	06.08	29	575249	02.33	5
295591	02.31	22	484739	01.11	1	575249	02.34	4
295788	02.25	10	484740	01.11	4	575268	02.31	38
295789	02.25	9	484819	01.11	3	575268	02.32	15
296170	06.04	11	484819	01.11	6	575551	02.34	11
296456	02.39	2	484993	01.05	28	576542	02.47	4
297498	02.26	14	485047	01.05	24	576546	02.47	3
297498	02.26	24	485603	01.10	13	576668	02.37	10
297498	02.31	26	485655	01.05	18	577237	02.27	7
297498	02.31	30	485703	01.25	14	577492	02.39	3
297498	03.02	6	485779	01.07	3	577594	06.08	16
297498	03.02	7	485868	01.18	20	58099R	06.05	6
297498	06.03	20	485912	01.05	5	58115R	06.05	8
298729	06.08	26	485912	01.25	5	58120R	06.06	9
307166	05.01	14	485914	01.07	4	581392	06.04	17
315092	02.31	15	486075	01.23	13	581424	06.08	14

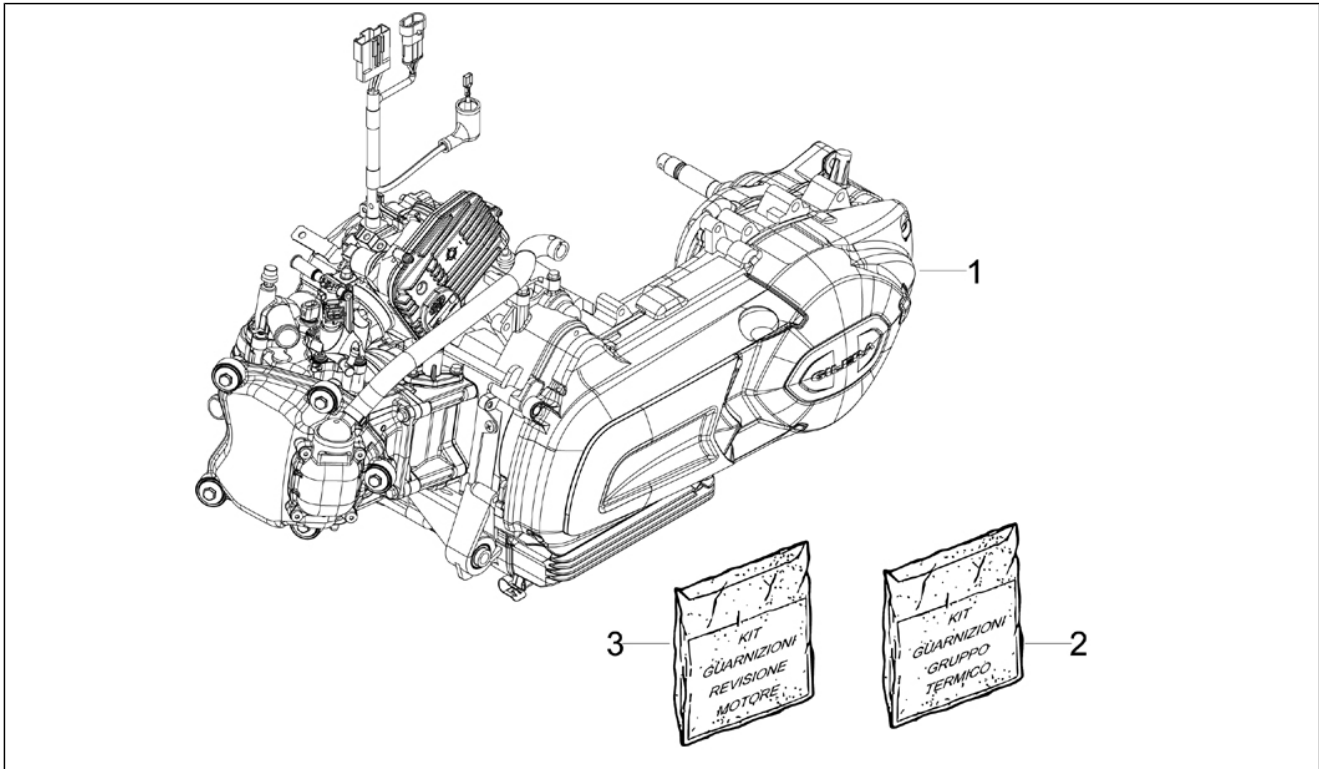
Code	No. table	Pos.	Code	No. table	Pos.	Code	No. table	Pos.
58142R	01.20	1	620737	02.55	3	642889	03.02	2
581440	06.08	4	621365	02.55	20	647078	05.01	2
58170R	02.55	11	621369	02.31	29	647078	05.01	24
581904	06.03	15	621370	02.31	25	647438	04.02	1
581904	06.03	17	621618	02.31	56	647473	02.25	11
582034	03.06	22	621940	02.27	4	647524	04.10	1
582153	06.05	11	622156	02.37	6	647595	02.25	12
582172	06.08	21	623673	02.55	2	647610	04.10	11
582298	02.25	4	623743	02.47	21	647621	04.10	13
582469	04.11	7	624098	02.34	15	647695	05.01	30
582787	04.02	20	624167000G	03.01	1	647789	04.12	8
582850	02.25	7	624168000G	03.01	11	647799	05.01	29
582851	02.25	8	62436900BM	02.26	8	647872	04.01	22
582922	02.33	15	62436900XR4	02.26	8	647885	04.11	6
583236	06.06	10	624376000G	06.03	21	648068	02.39	4
583332	06.04	13	624377000G	06.03	7	649162	05.01	28
583921	06.05	10	624503	02.26	1	649163	04.12	6
584002	06.03	11	62450300BM	02.26	1	649553	05.01	6
584002	06.03	4	62450300XN2	02.26	1	649554	05.01	7
584305	06.05	7	624504000G	02.32	7	649607	03.06	19
584332	06.04	6	624505000G	02.32	16	649661	03.06	17
584332	06.04	9	624514	02.33	19	649662	03.06	18
584486	06.03	1	624515	02.33	18	650226000G	02.33	1
584520	06.08	31	624516	02.46	3	65022600XN2	02.33	1
584747	06.03	8	624517	02.46	7	650253	04.11	13
584772	06.06	16	624518000G	02.30	1	650254	04.11	13
584826	06.01	2	624519000G	02.32	29	650467	02.33	3
584877	02.37	2	624640	02.33	14	650469	02.33	2
584884	02.37	12	624824	02.34	7	650598	04.11	13
584902	06.04	18	624834	02.37	1	650599	04.12	2
584906	06.03	5	638534	02.46	9	650755	04.01	5
584907	06.03	12	638696	06.03	1	650904	04.01	18
597079	04.01	7	638697	06.03	8	651027	04.01	17
597080	04.01	6	638698	06.03	5	652631000G	03.01	2
597081	04.01	16	638699	06.03	12	652632000G	03.01	3
597230	04.01	9	638733	06.05	9	652802	01.15	15
597317	04.01	2	638792	06.08	22	652848000C	02.26	22
597374	04.01	12	638848	01.21	1	652849000C	02.26	28
597374	04.01	3	639110	06.06	1	652976	02.33	9
597528	04.12	12	639338	06.04	10	653372	02.45	5
597565	04.12	9	639338	06.04	7	653905	02.34	1
597679	04.11	14	639410	01.21	4	653906	02.34	18
597679	04.12	10	639473	03.06	14	65413100EU	02.31	11
597893	04.01	25	639477	06.03	14	65413200EU	02.31	18
598838	04.10	3	639478	06.03	16	654149	02.45	6
598921	05.01	25	639542	06.01	4	654154	02.55	23
599262	04.02	17	639632	01.42	14	654163	03.06	1
599269	04.02	15	639663	03.02	4	654171	02.45	4
599270	04.02	16	639669	06.04	8	654220	02.55	30
599284	02.26	18	639670	06.04	5	654840	02.37	9
599421	04.02	5	639687	01.12	8	655357	02.47	10
599735	02.37	4	639764	06.08	20	655358	02.47	13
599931	04.02	18	639806	01.42	13	655537	02.47	15
600270	04.02	4	639843	06.08	30	655539	02.47	11
600475	03.06	11	640012	01.20	7	655554	03.06	2
600475	03.06	8	640485	01.10	12	655590	02.47	19
600478	03.06	12	640519	02.47	2	6555945	02.01	1
600478	03.06	9	640591	06.06	4	655644	02.55	22
600921	04.02	19	640615	06.06	3	656004	02.55	29
601307	04.02	9	640963	06.08	2	656527	02.27	1
601308	04.02	7	641219	06.06	14	656665000G	02.31	36
601309	04.02	6	641345	01.19	9	656666000G	02.31	35
601310	04.02	12	641346	01.23	10	657049	02.33	23
601312	04.02	2	641487	03.02	1	667759	03.06	13
601870	04.11	4	641507	06.04	1	67398200YE1	02.26	13
601874	04.12	2	641512	06.08	1	673983	02.38	1
620365	02.26	26	641541	01.23	12	673984	02.31	59

Code	No. table	Pos.	Code	No. table	Pos.	Code	No. table	Pos.
673985	02.31	54	830157	01.25	6	875106	01.10	17
67398600C1	02.39	1	830249	01.12	3	875111	01.05	15
67398600C2	02.39	1	830446	01.11	15	875113	01.07	8
673987	02.38	2	830447	01.11	16	875114	01.07	8
673988	02.38	3	830580	01.14	12	8751215	01.11	8
674078	02.46	1	831363	01.13	7	875140	01.10	8
674369	02.38	4	832130	01.05	22	875163	01.10	1
709047	02.39	6	833308	01.11	9	875694	01.36	2
709047	04.10	9	833701	01.05	8	875701	01.15	7
709047	04.12	4	833722	01.18	5	875908	01.18	7
709047	05.01	26	834187	01.42	17	875949	01.23	4
709047	05.01	4	834951	01.42	12	876075	01.15	5
709099	02.33	7	840504	01.23	3	876151	01.45	1
709110	05.01	9	840507	01.23	15	8761735	01.42	1
709646	04.01	26	840510	01.18	18	876317	01.45	11
709646	05.01	8	840533	01.13	8	876399	01.19	6
709674	02.46	10	841213	01.13	5	876400	01.19	2
82518R	01.14	15	841379	01.13	9	876428	01.15	10
82545R	04.10	5	842204	01.13	3	876484	01.42	9
825758	04.12	5	842360	01.10	21	876605	01.07	1
825952	01.18	16	842385	01.21	9	876625	01.10	15
826165	01.23	6	842419	01.42	10	876921	01.13	6
826298	04.10	8	842420	01.42	11	8769495	01.25	8
82635R	01.23	14	842908	01.42	3	877076	01.42	2
826388	01.42	8	843568	01.23	8	877136	01.12	6
82644R	01.18	21	844049	01.14	16	877286	01.05	31
82649R	01.18	14	844160	01.23	11	8772935	01.15	1
82650R	01.18	12	844483	04.10	15	877801	01.10	1
82659R	01.25	3	844582	01.05	12	8786905001	01.05	1
827085	01.05	23	844669	01.25	10	8786905002	01.05	1
82737R	01.20	4	844964	01.15	9	959263	02.47	12
827526	01.42	5	845753	01.10	16	959465	02.46	8
82753R	01.14	14	845861	01.05	25	963486	01.07	6
827595	01.14	9	845996	01.45	9	969224	02.01	6
82782R	01.18	22	846098	01.18	10	975031	02.55	1
827831	01.45	8	847116	01.18	24	9750395	02.01	2
82783R	01.18	15	847645	02.47	6	975043	02.32	13
82789R	01.42	7	847679	01.21	6	97504300BM	02.32	13
828021	02.47	14	8477975	01.21	7	97504300XN2	02.32	13
828148	01.07	8	847928	01.18	13	97504400BM	02.32	20
828152	01.36	3	847929	01.18	3	97504400XN2	02.32	20
82817R	01.11	2	847931	01.25	9	975051000G	02.26	4
82817R	01.11	5	848039	04.12	11	97505600BM	02.32	10
828308	01.18	23	8481330001	01.07	2	97505600XN2	02.32	10
828421	01.12	5	8481330002	01.07	2	97505700BM	02.32	19
828653	01.12	6	8481330003	01.07	2	97505700XN2	02.32	19
828717	01.14	11	8481330004	01.07	2	975059000G	02.31	1
82878R	01.05	9	8481875	01.25	1	97506100BM	02.32	21
828863	06.06	2	848452	01.42	18	97506100XN2	02.32	21
82887R	01.14	1	848724	01.20	5	975062000G	02.31	57
828961	05.01	27	848976	01.12	9	975063000G	02.31	49
829206	01.25	4	849125	04.10	4	975064000G	02.32	1
829258	01.45	3	872269	01.36	6	97506400XN2	02.32	1
829259	01.45	2	872635	01.12	2	975072000G	03.01	17
829375	01.05	2	872877	01.14	5	975077000G	03.01	15
82948R	01.18	1	872999	01.10	5	9750770090	03.01	15
82951R	01.10	20	873114	01.10	4	975153	02.47	1
829534	01.12	1	8732885	01.36	5	975176000G	02.32	24
829536	01.12	4	873351	01.25	2	975177000G	02.32	25
829593	01.18	2	8738755	01.25	7	97549500EU	02.31	34
829661	01.05	17	873980	01.25	12	97549600EU	02.31	33
830015	01.45	10	8745635001	01.06	1	975500000G	02.31	7
830056	01.15	16	8745635002	01.06	1	975501000G	02.31	8
830056	01.45	6	874803	01.20	3	975502000G	02.31	45
830056	04.01	23	874991	01.19	4	975503000G	02.31	42
830057	01.45	5	875064	01.23	1	975506000G	02.30	6
830061	01.05	20	875068	01.19	1	975508000G	02.27	10



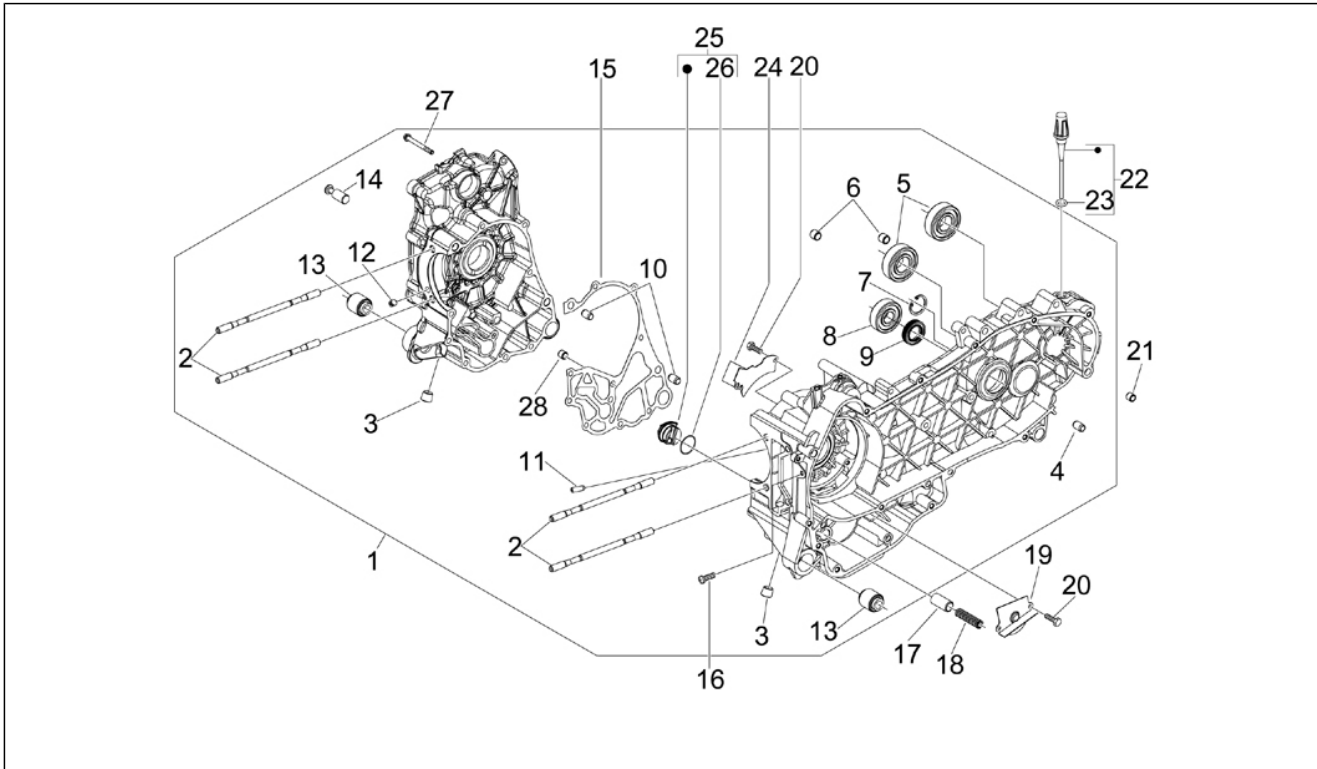
Code	No. table	Pos.	Code	No. table	Pos.
975509000G	02.27	11	CM017410	02.32	9
975558	02.31	12	CM017410	02.33	27
975559	02.31	19	CM017410	02.33	29
975587	02.34	20	CM017410	02.34	17
975592	02.55	8	CM017410	03.01	14
975633	03.06	15	CM017410	03.01	21
975662	02.31	55	CM017410	06.04	19
975674000G	02.30	7	CM023701	02.46	5
975683	04.02	22	CM067805	04.01	4
975685	03.01	9	CM067806	04.01	14
975686	03.01	10	CM068301	05.01	1
975693	05.01	10	CM068304	05.01	23
975696	02.55	6	CM071801	06.05	1
975715	03.01	16	CM081202	03.06	7
975725	02.26	15	CM081203	03.06	10
975726	02.26	16	CM081709	01.36	1
975747	02.34	19	CM084801	01.36	1
975749	06.05	3	CM103804	01.13	2
975750	02.27	13	CM144005	01.14	2
975760000G	02.27	2	CM144403	01.13	1
975826	02.31	47	CM1581055	01.02	1
975832	03.01	8	CM159801	01.10	11
975840	02.32	14	CM159802	01.10	11
975841	02.32	4	CM159803	01.10	11
975850	02.31	39	CM159901	01.15	14
975855	02.31	37	CM175005	02.45	3
975856	02.27	3	CM175006	02.45	2
975858500G	03.01	6	CM175101	02.33	10
975859500G	03.01	4	CM179301	02.55	12
AP8127305	06.01	1	D9004468231	02.27	9
AP8152277	05.01	15			
AP8152302	02.33	4			
CM001904	01.12	10			
CM001904	01.12	11			
CM001910	02.47	17			
CM001914	02.55	5			
CM001915	02.55	24			
CM001917	01.19	8			
CM001920	02.47	16			
CM001921	02.55	7			
CM001922	01.19	7			
CM001922	02.55	26			
CM002910	01.45	7			
CM006902	06.08	17			
CM006903	02.55	27			
CM006903	06.08	18			
CM006904	01.12	12			
CM006904	06.08	19			
CM006906	06.08	6			
CM006908	06.08	5			
CM006910	01.19	10			
CM006910	02.47	20			
CM007007	02.55	4			
CM012827	05.03	1			
CM017405	06.08	7			
CM017409	02.34	3			
CM017410	02.26	11			
CM017410	02.26	7			
CM017410	02.30	5			
CM017410	02.31	10			
CM017410	02.31	3			
CM017410	02.31	51			
CM017410	02.31	61			
CM017410	02.32	12			
CM017410	02.32	18			
CM017410	02.32	23			
CM017410	02.32	27			

<b>Group</b>	Engine
<b>Code</b>	01.02
<b>Description</b>	Engine, assembly
<b>Service</b>	1



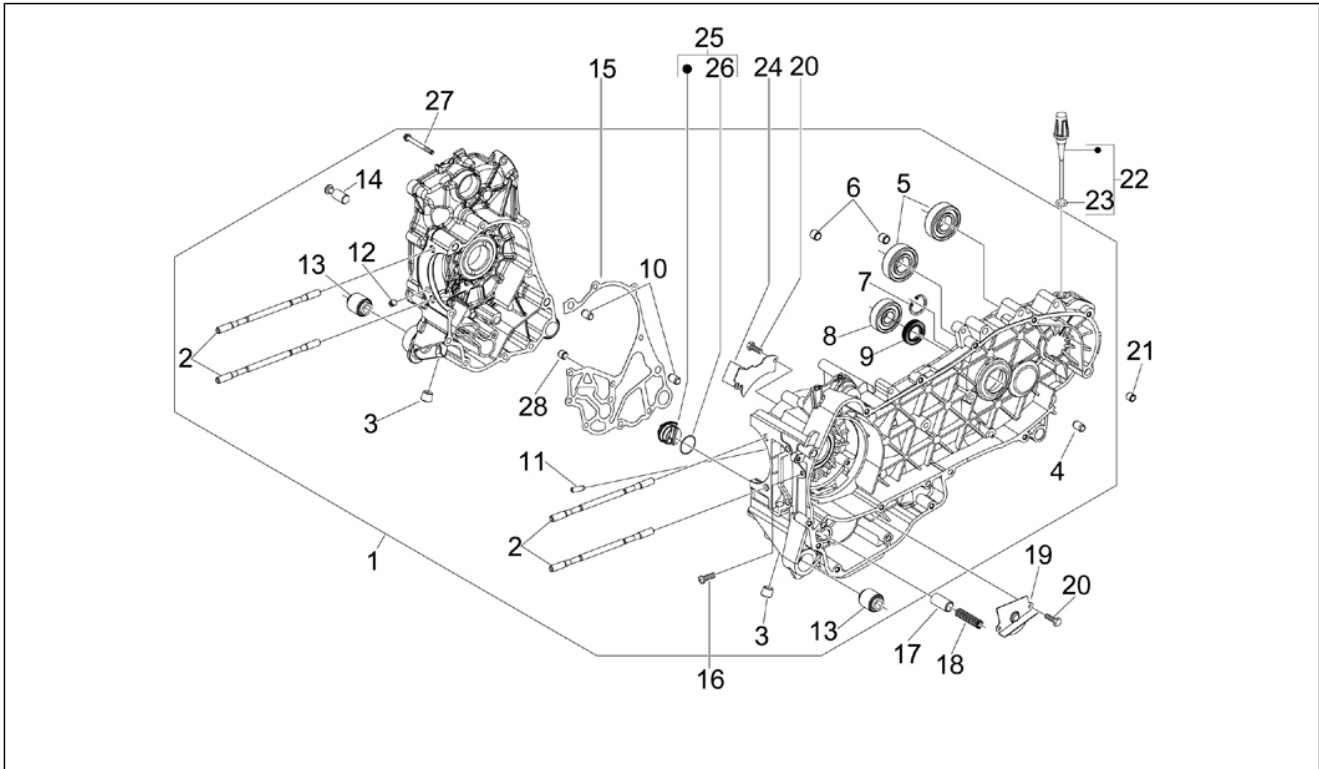
Pos.	Code	Description	Qty	Variants
1	CM1581055	***ENG.125 4T/4V E3 IE NEXUS	1	
2	497553	Cylinder gasket kit	1	
3	497554	Gaskets kit	1	

<b>Group</b>	Engine
<b>Code</b>	01.05
<b>Description</b>	Crankcase
<b>Service</b>	1



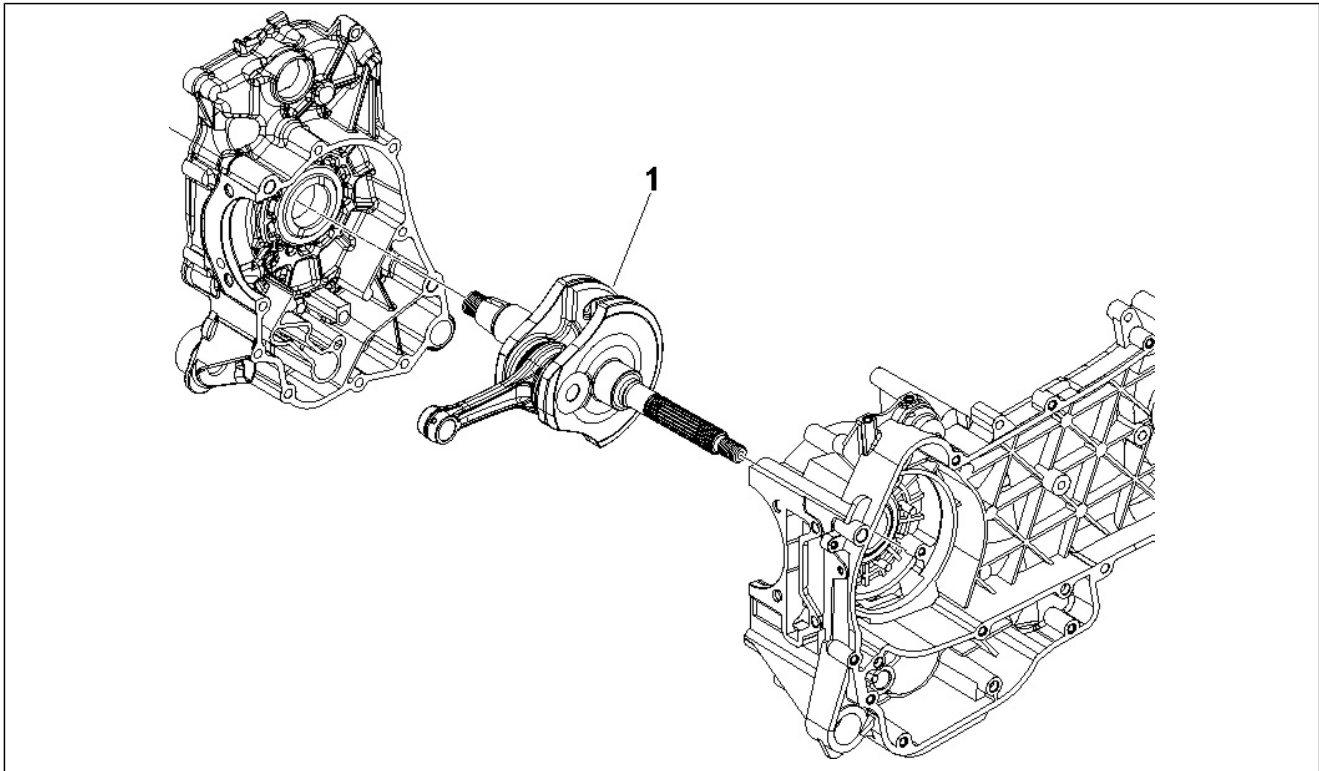
Pos.	Code	Description	Qty	Variants
1	8786905001	Crankcase assembly Cat.1	1	
1	8786905002	Crankcase assembly Cat.2	1	
2	829375	Stud bolt	4	
3	411311	Plug M12x1,5	2	
4	239388	Pin 6,5x9,5x15	2	
5	485912	Radial ball bearing 15x42x13	2	
6	478115	Locating dowel Ø11xØ8,1x10	2	
7	000674	Circlip 25x26.9x1.2	1	
8	833701	Radial ball bearing 20x47x14	1	
9	82878R	Gasket ring 20-32-7	1	
10	239388	Pin 6,5x9,5x15	2	
11	484034	Nozzle	1	
12	844582	Nozzle D 1.1	1	
13	486081	Silent-block	2	
14	483785	Springs fixing pin	1	
15	875111	Gasket	1	
16	018575	Screw M5x10	1	
17	829661	Oil pressure valve	1	
18	485655	Spring	1	
19	483767	Lower oil bulkhead	1	
20	830061	Screw w/ flange M5x16	4	
21	277916	Locating dowel	1	
22	832130	Complete oil level dipstick	1	
23	827085	Gasket ring 14,43x9,19x2,62	1	
24	485047	Upper oil bulkhead	1	
25	845861	Filter door insert	1	
26	431065	Gasket	1	
27	432142	screw M6x60	10	

<b>Group</b>	Engine
<b>Code</b>	01.05
<b>Description</b>	Crankcase
<b>Service</b>	1



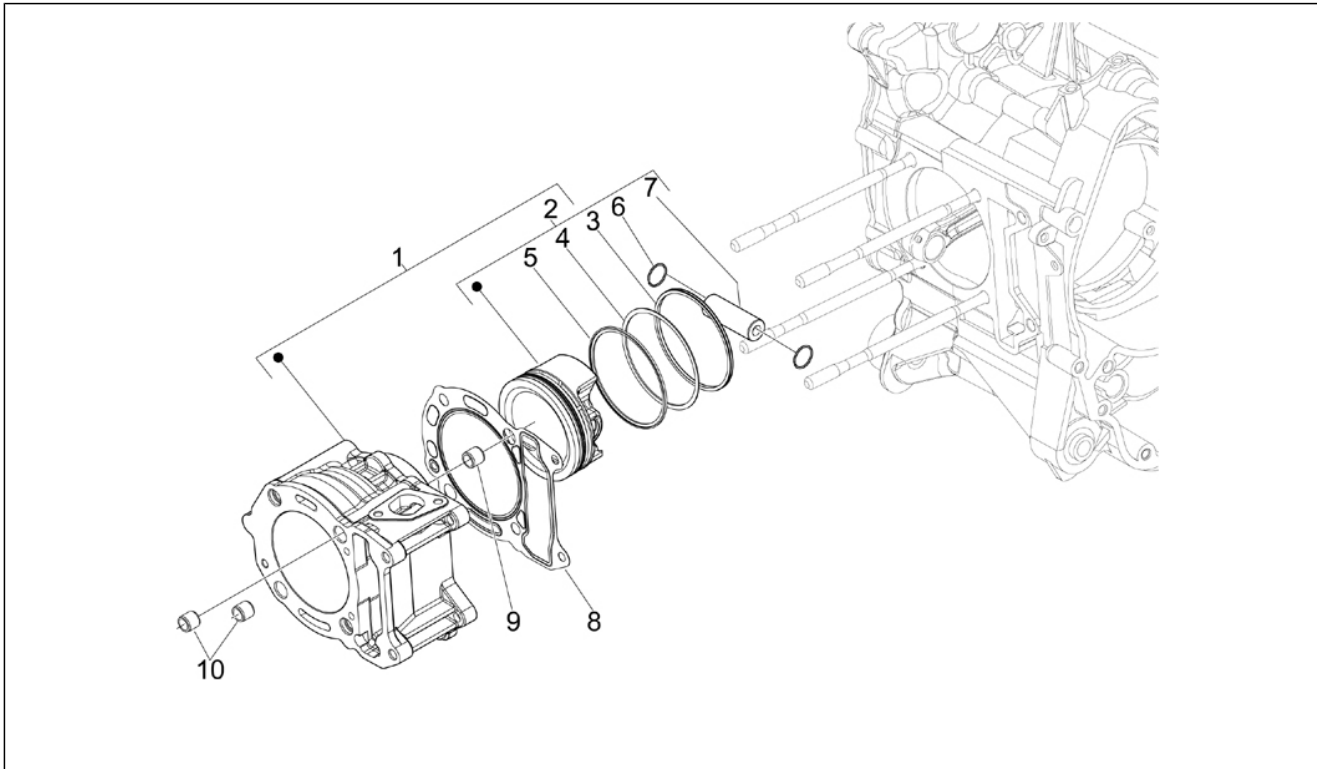
Pos.	Code	Description	Qty	Variants
28	484993	Locating dowel	1	
31	877286	Stud bolt	4	

<b>Group</b>	Engine
<b>Code</b>	01.06
<b>Description</b>	Crankshaft
<b>Service</b>	1



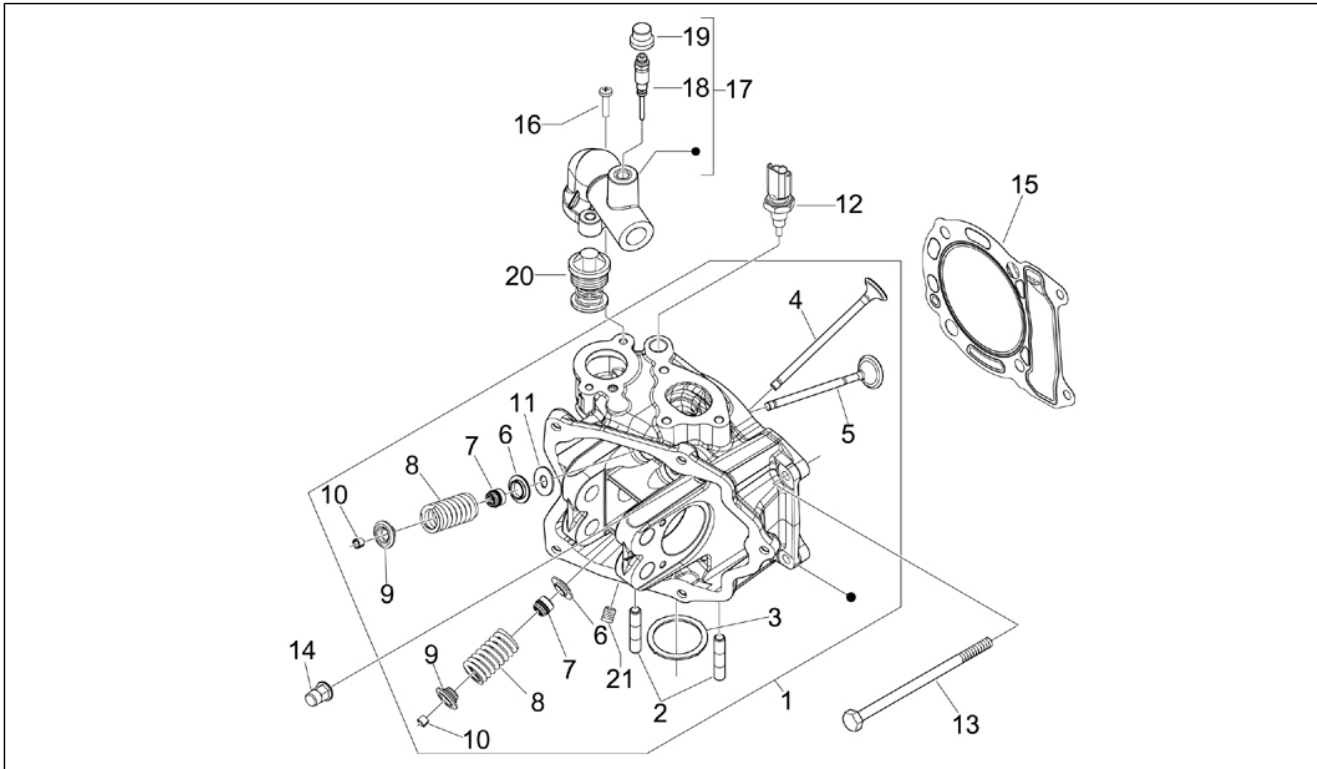
Pos.	Code	Description	Qty	Variants
1	8745635001	Drive shaft Cat.1	1	
1	8745635002	Drive shaft Cat.2	1	

<b>Group</b>	Engine
<b>Code</b>	01.07
<b>Description</b>	Cylinder-piston-wrist pin unit
<b>Service</b>	1



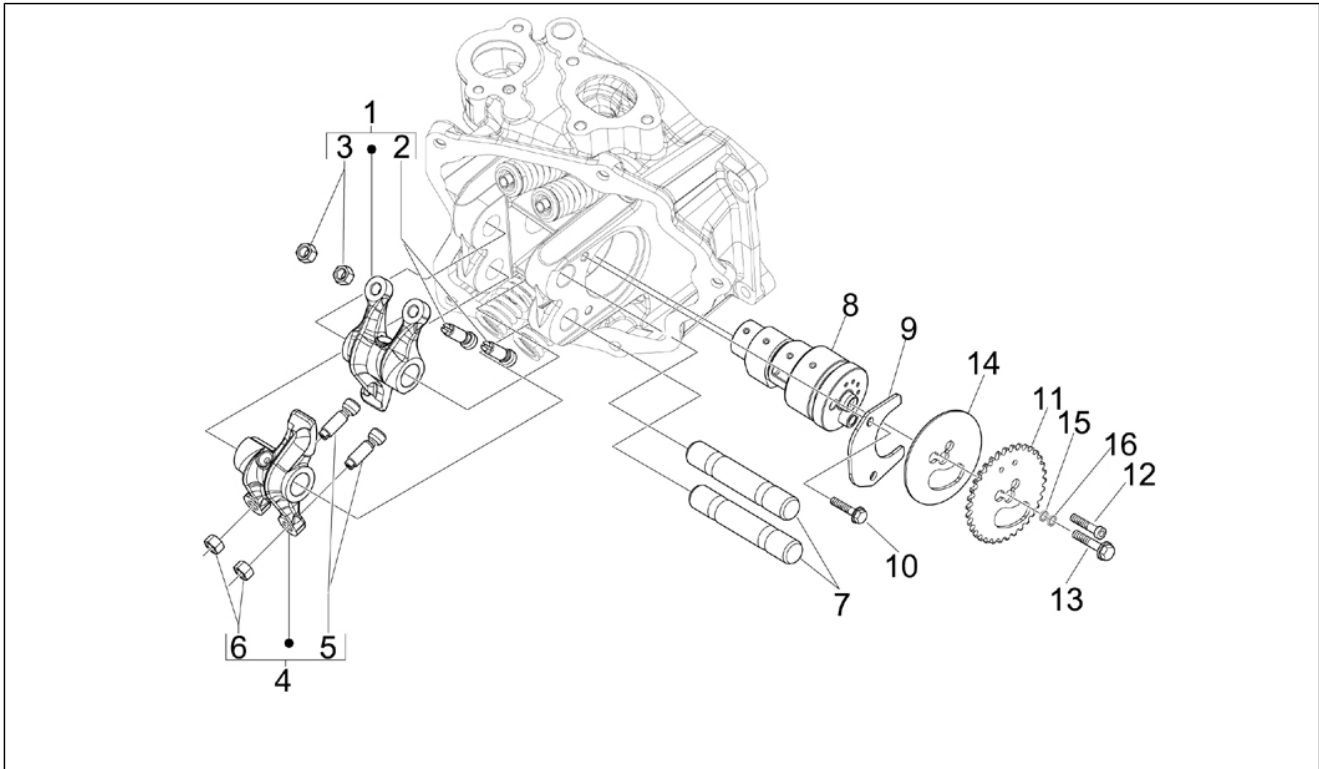
Pos.	Code	Description	Qty	Variants
1	876605	Cyl.pist.-wrist pin assy unit	1	
2	8481330001	Piston-wrist pin assy. Cat.A	1	
2	8481330002	Piston + piston pin Cat.B	1	
2	8481330003	Piston + piston pin Cat.C	1	
2	8481330004	Piston + piston pin Cat.D	1	
3	485779	Compression ring d.57x1	1	
4	485914	Oil scraper ring d.57x2,5	1	
5	486362	Oil scraper ring d.57x1	1	
6	963486	Snap ring	2	
7	482335	Piston pin	1	
8	828148	Cylinder base gasket 0,8 mm	1	
8	875113	Cylinder base gasket 0,6 mm	1	
8	875114	Cylinder base gasket 0,8 mm	1	
9	277916	Locating dowel	2	
10	478115	Locating dowel $\varnothing 11 \times \varnothing 8,1 \times 10$	2	

<b>Group</b>	Engine
<b>Code</b>	01.10
<b>Description</b>	Head unit - Valve
<b>Service</b>	1



Pos.	Code	Description	Qty	Variants
1	875163	Cylinder head assy.	1	
1	877801	Cylinder head assembly	0	
2	435629	Stud bolt M7	2	
3	480853	Exhaust pipe gasket	1	
4	873114	Exhaust valve	2	
5	872999	Intake valve	2	
6	483711	Lower cap	4	
7	436438	Valve gasket ring	4	
8	875140	Valve spring	4	
9	483914	Upper cap	4	
10	285846	Valve half-cone	8	
11	CM159801	Spacer washer 0,4 mm	1	
11	CM159802	Spacer washer 0,8 mm	1	
11	CM159803	Spacer washer 1,2 mm	1	
12	640485	Temperature gauge	1	
13	485603	Screw w/ flange	2	
14	411296	Nut M8x1,25	4	
15	876625	Cylinder head gasket 0,3mm	1	
16	845753	Hex socket screw M5x20	2	
17	875106	Water outlet union	1	
18	430045	Bleed screw	1	
19	063435	Bleed valve cap	1	
20	82951R	Water thermostat	1	
21	842360	Plug M6x10	1	

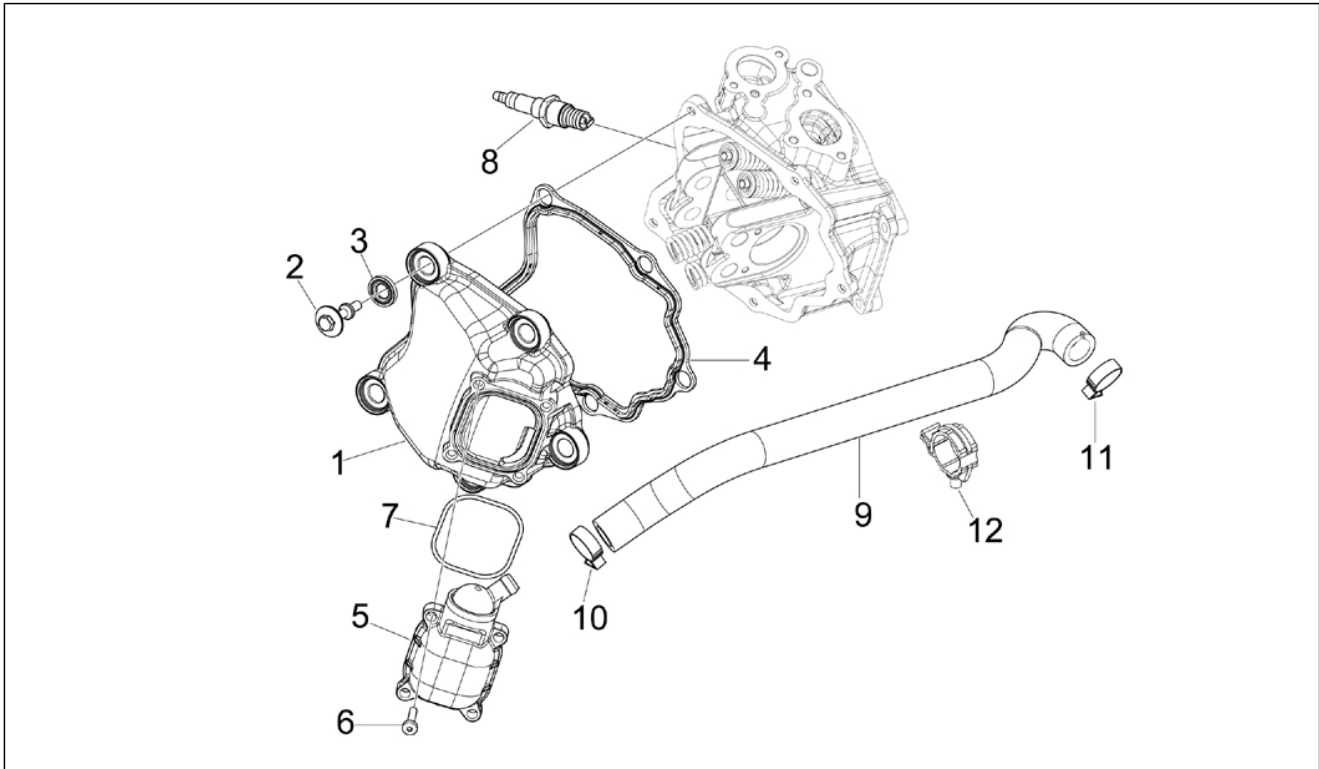
<b>Group</b>	Engine
<b>Code</b>	01.11
<b>Description</b>	Rocking levers support unit
<b>Service</b>	1



Pos.	Code	Description	Qty	Variants
1	484739	Rocker arm inlet	1	
2	82817R	Adjuster screw	2	
3	484819	Nut	2	
4	484740	Rocker arm exhaust	1	
5	82817R	Adjuster screw	2	
6	484819	Nut	2	
7	486343	Rocker arms axis	2	
8	8751215	Camshaft	1	
9	833308	Camshaft plate	1	
10	484123	Screw w/ flange	2	
11	486336	Timing system gear	1	
12	486972	Hex socket screw M5x25	1	
13	018639	Hex screw M6x20	1	
14	487832	Washer	1	
15	830446	Plain washer	1	
16	830447	Plain washer	1	

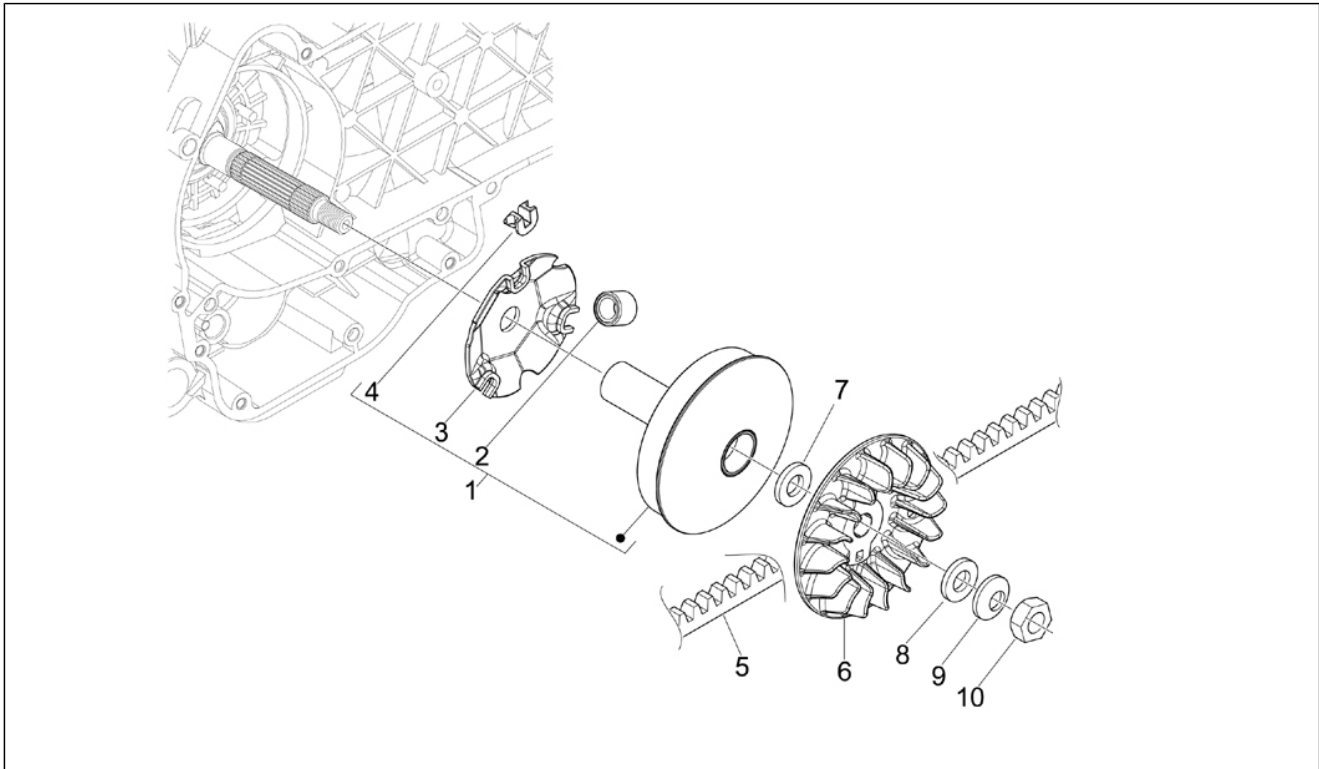


<b>Group</b>	Engine
<b>Code</b>	01.12
<b>Description</b>	Cylinder head cover
<b>Service</b>	1



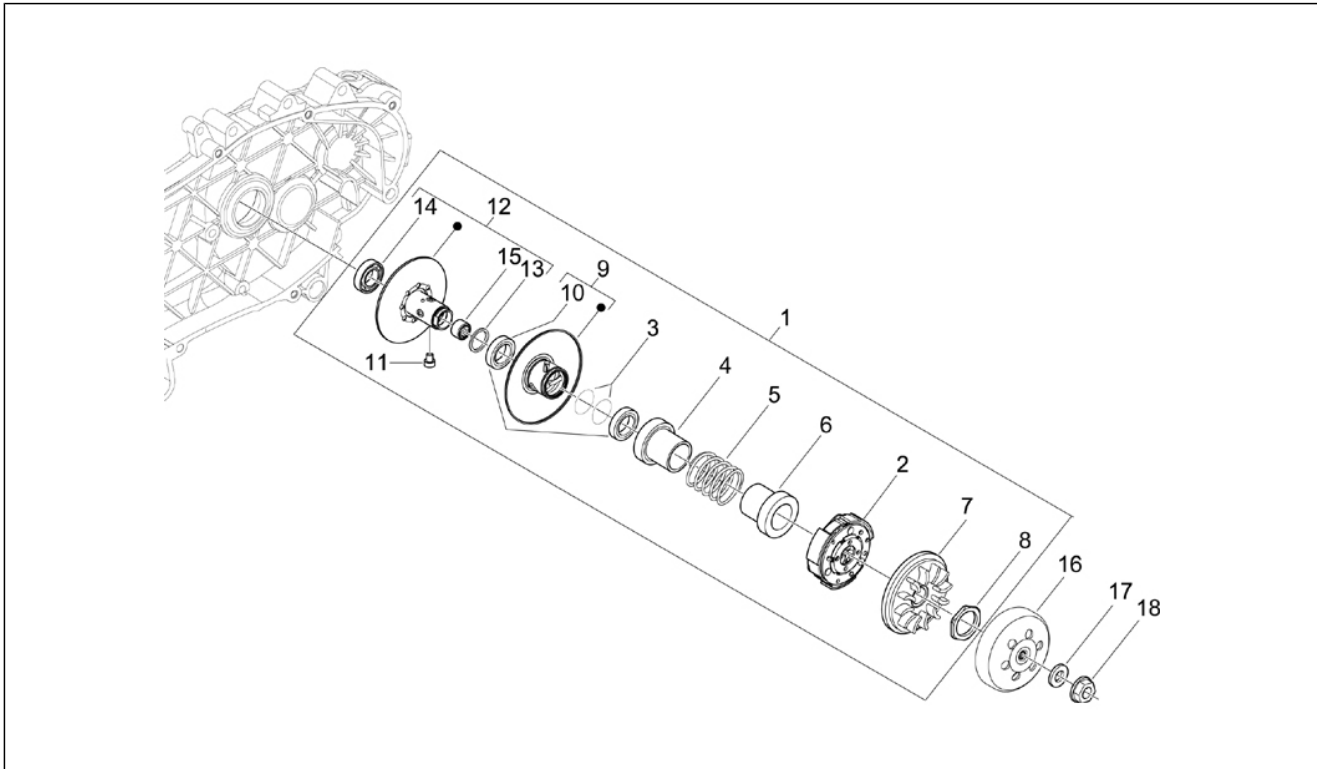
Pos.	Code	Description	Qty	Variants
1	829534	Head cover	1	
2	872635	Special screw	5	
3	830249	Damper drift	5	
4	829536	Head cover gasket	1	
5	828421	Oil breather valve	1	
6	828653	screw	4	
6	877136	Self tapping screw M5x20	4	
7	487989	Gasket	1	
8	639687	Spark plug CR8EKB	1	
9	848976	Engine oil breather pipe	1	
10	CM001904	Hose clamp	1	
11	CM001904	Hose clamp	1	
12	CM006904	Non return spring l=27	1	

<b>Group</b>	Engine
<b>Code</b>	01.13
<b>Description</b>	Driving pulley
<b>Service</b>	1



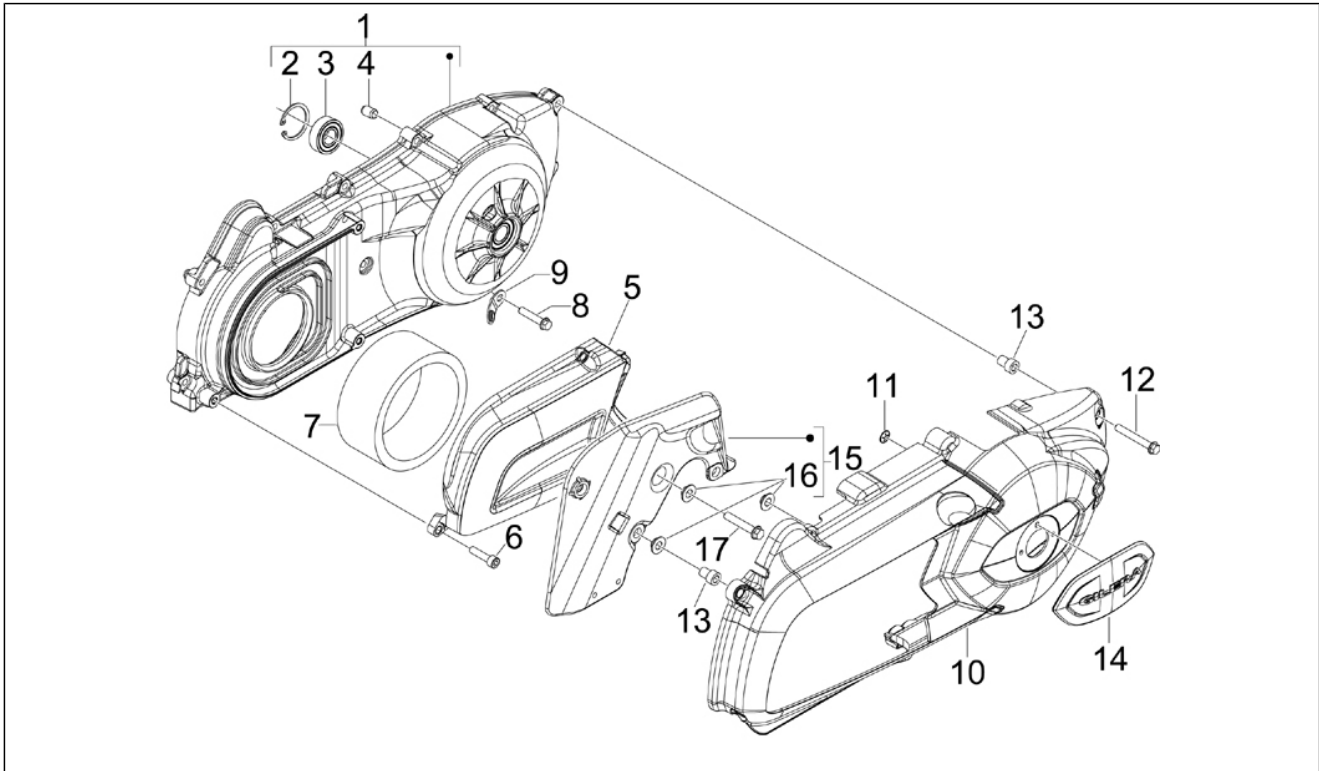
Pos.	Code	Description	Qty	Variants
1	CM144403	Half-pulley assy., driving	1	
2	CM103804	Pin roller weight g.7,4	6	
3	842204	Roller contrast	1	
4	434855	Sliding block	3	
5	841213	(Mitsuboshi) V-belt	1	
6	876921	Fixed driving half pulley	1	
7	831363	Plain washer	1	
8	840533	Flat washer 12.1x36x2	1	
9	841379	Belleville spring 0,5x35x17	1	
10	486324	Nut M12x1.25	1	

<b>Group</b>	Engine
<b>Code</b>	01.14
<b>Description</b>	Driven pulley
<b>Service</b>	1



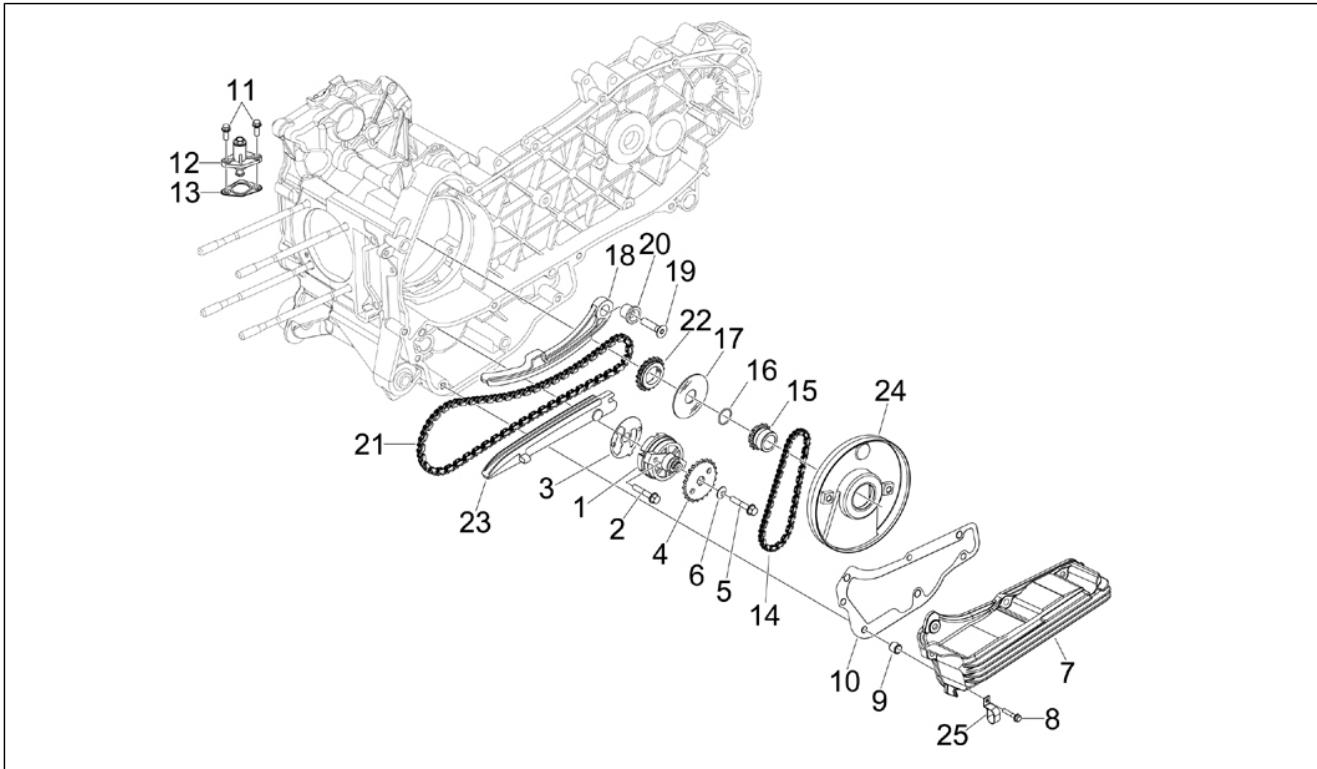
Pos.	Code	Description	Qty	Variants
1	82887R	Clutch driven pulley assy.	1	
2	CM144005	Centrifugal clutch assembly	1	
3	430585	Gasket	2	
4	431093	Cup	1	
5	872877	Variator spring	1	
6	487936	Clutch side cap	1	
7	482305	Fan	1	
8	433232	Ring nut	1	
9	827595	Sec.sliding sheave	1	
10	431089	Gasket ring	2	
11	828717	Guide pin L=12,5	4	
12	830580	Fixed driven half pulley	1	
13	483226	Snap ring	1	
14	82753R	Bearing 17x30x7	1	
15	82518R	Roller cage 20x29x18	1	
16	844049	Clutch drum	1	
17	274246	Flat washer 22x12,1x1	1	
18	486324	Nut M12x1.25	1	

<b>Group</b>	Engine
<b>Code</b>	01.15
<b>Description</b>	Crankcase cover - Crankcase cooling
<b>Service</b>	1



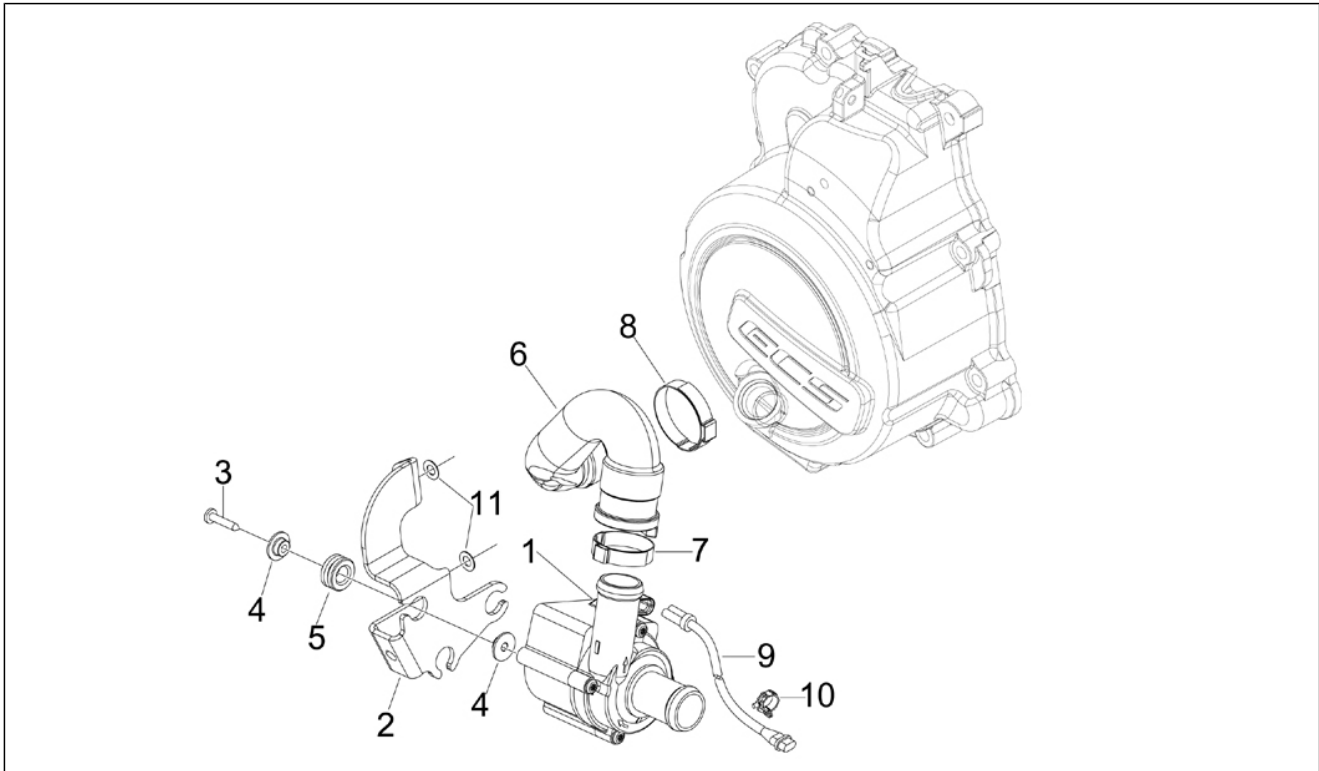
Pos.	Code	Description	Qty	Variants
1	8772935	Transmission cover with U.P.	1	
2	006635	Snap ring	1	
3	478985	Bearing	1	
4	239388	Pin 6,5x9,5x15	2	
5	876075	Cooling Cover	1	
6	018553	screw M6x25	3	
7	875701	Filtering element	1	
8	289731	Screw w/ flange M6x30	7	
9	844964	Hose clamp	1	
10	876428	***SOUNDPROOFING PROTECTION	1	
11	181351	Spring plate	2	
12	430207	screw M6x50	3	
13	431577	Spacer	3	
14	CM159901	***COVER WITH LOGOTYPE "GILERA"	1	
15	652802	Protection	1	
16	830056	Knurled bushing	3	
17	414838	screw M6x35	1	

<b>Group</b>	Engine
<b>Code</b>	01.18
<b>Description</b>	Oil pump
<b>Service</b>	1



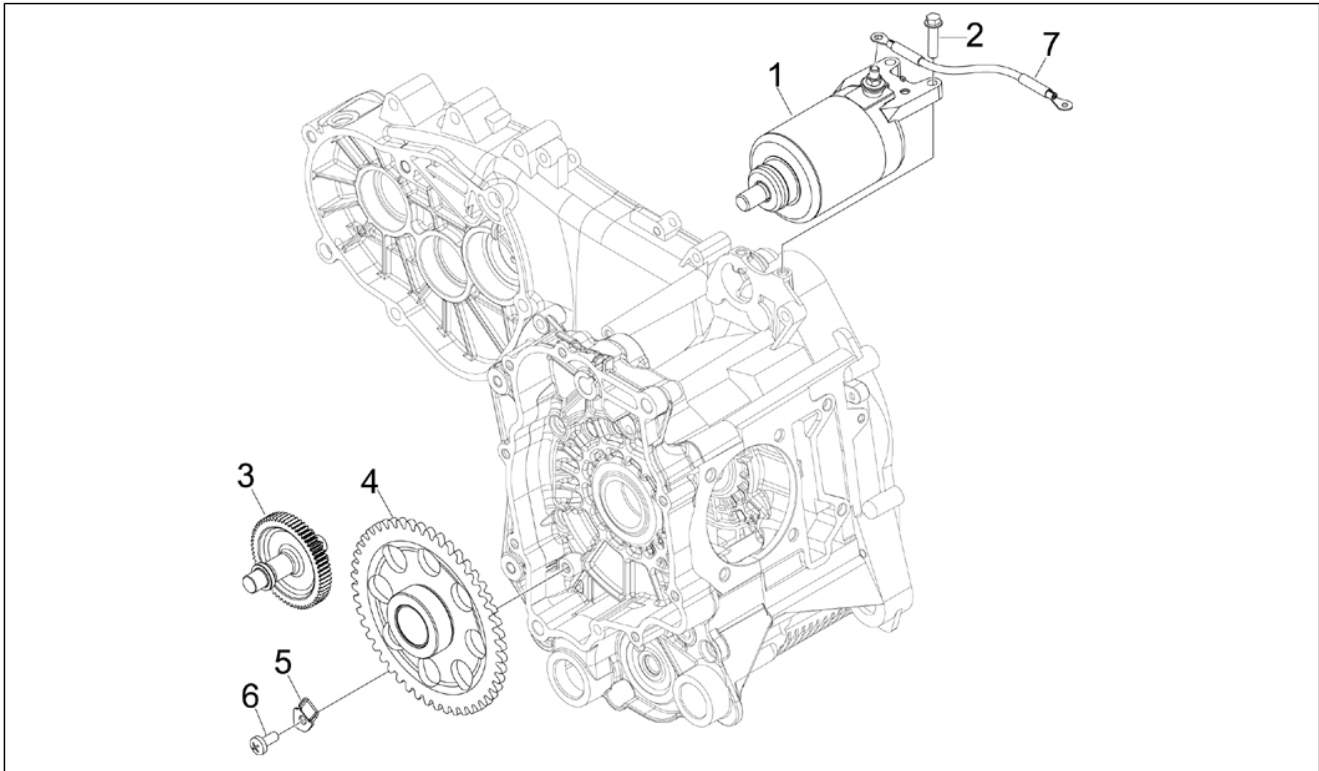
Pos.	Code	Description	Qty	Variants
1	82948R	Oil pump assembly	1	
2	829593	Screw w/ flange M5x35	2	
3	847929	Carter-oil pump gasket	1	
4	287913	Oil pump gear	1	
5	833722	Screw w/ flange M6x14	1	
6	436695	Belleville spring $\varnothing 6,4 \times \varnothing 20 \times 2$	1	
7	875908	Pan oil	1	
8	289731	Screw w/ flange M6x30	7	
9	277916	Locating dowel	3	
10	846098	Gasket	1	
11	434541	Screw w/ flange M6x16	2	
12	82650R	Complete chain tensioner	1	
13	847928	Gasket	1	
14	82649R	Oil pump chain	1	
15	82783R	Oil pump control pinion	1	
16	825952	Gasket ring	1	
17	483918	Oil seal washer	1	
18	840510	Chain tensioner rod	1	
19	414837	Screw w/ flange M6x25	1	
20	485868	Spacer	1	
21	82644R	Camshaft chain	1	
22	82782R	Timing chain pinion	1	
23	828308	Chain tensioner sliding block	1	
24	847116	Timing system cover	1	
25	564629	Hose clamp	2	

<b>Group</b>	Engine
<b>Code</b>	01.19
<b>Description</b>	Cooler pump
<b>Service</b>	1



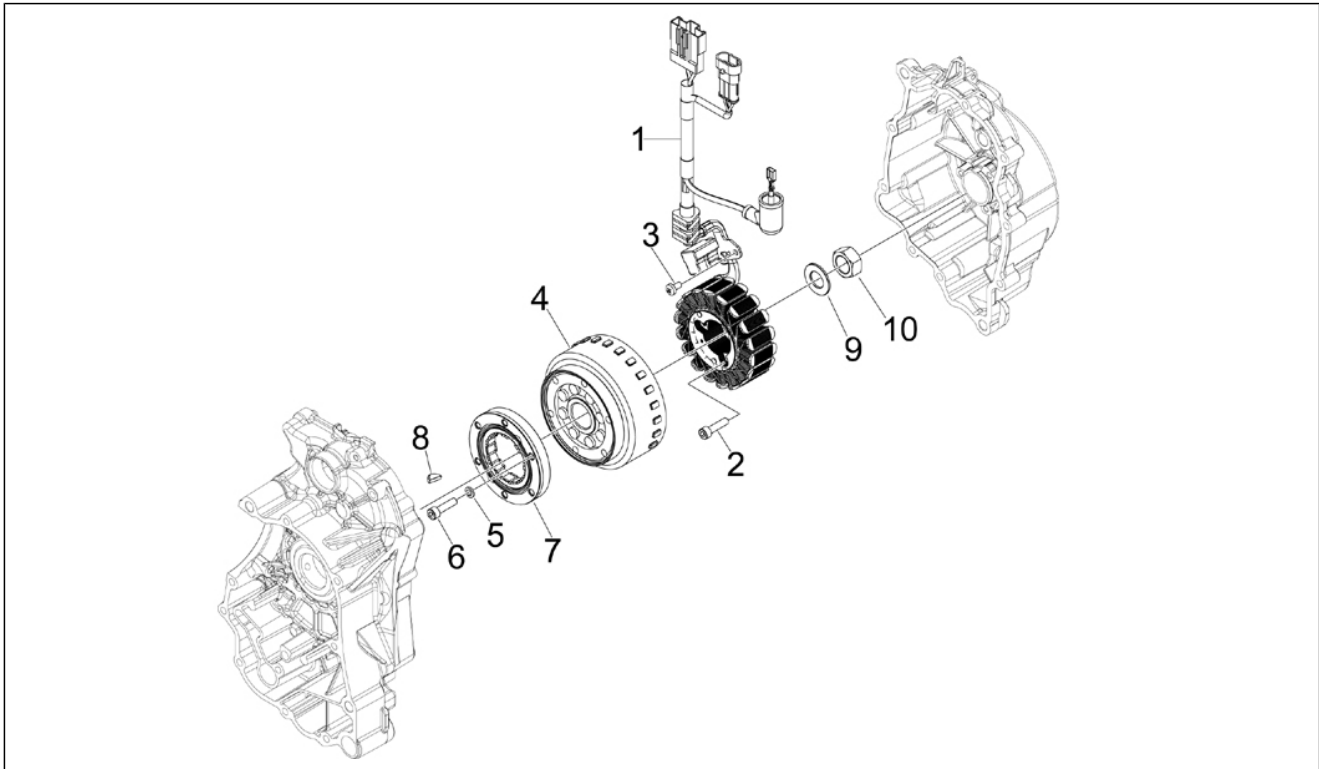
Pos.	Code	Description	Qty	Variants
1	875068	Water pump	1	
2	876400	Water pump support bracket	1	
3	015729	screw	3	
4	874991	Spacer	6	
5	487665	Fairlead	3	
6	876399	***CYLINDER PUMP WATER PIPE	1	
7	CM001922	Hose clamp	1	
8	CM001917	Hose clamp	1	
9	641345	Water pump cable assembly	1	
10	CM006910	Molletta	1	
11	003056	Flat washer 6,4x12x1	2	

<b>Group</b>	Engine
<b>Code</b>	01.20
<b>Description</b>	Stater - Electric starter
<b>Service</b>	1



Pos.	Code	Description	Qty	Variants
1	58142R	Starter motor	1	
2	414837	Screw w/ flange M6x25	2	
3	874803	Electric starter gear	1	
4	82737R	Starter motor gear	1	
5	848724	Ring container lamination	1	
6	008375	screw M6x14	1	
7	640012	Starter cable	1	

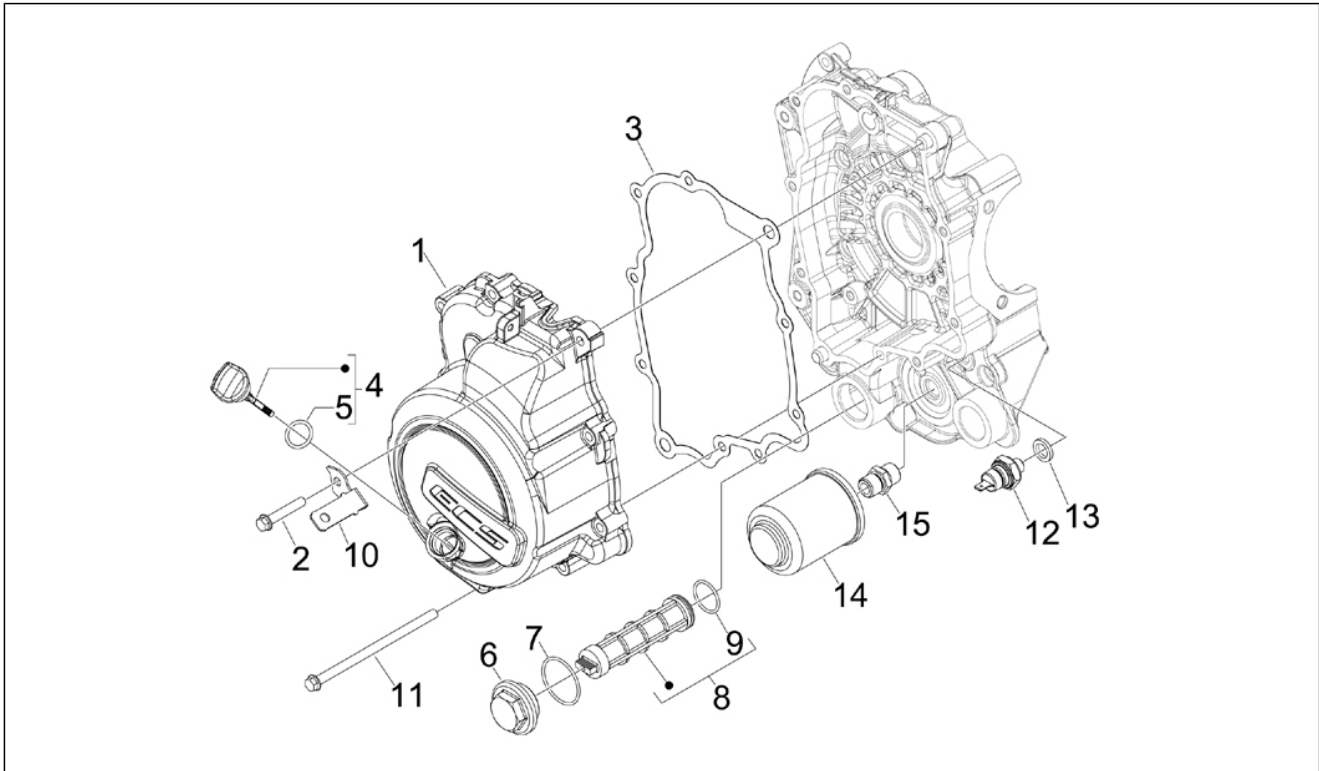
<b>Group</b>	Engine
<b>Code</b>	01.21
<b>Description</b>	Flywheel magneto
<b>Service</b>	1



Pos.	Code	Description	Qty	Variants
1	638848	Stator cpl.	1	
2	122637	Low head socket screw M6x30	3	
3	018575	Screw M5x10	2	
4	639410	Complete rotor (Kokusan)	1	
5	479515	Break washer	6	
6	847679	Hex socket screw M6x24	6	
7	8477975	Complete freewheel	1	
8	000097	Transmission key	1	
9	842385	Plain washer	1	
10	563728	Nut M16x13	1	

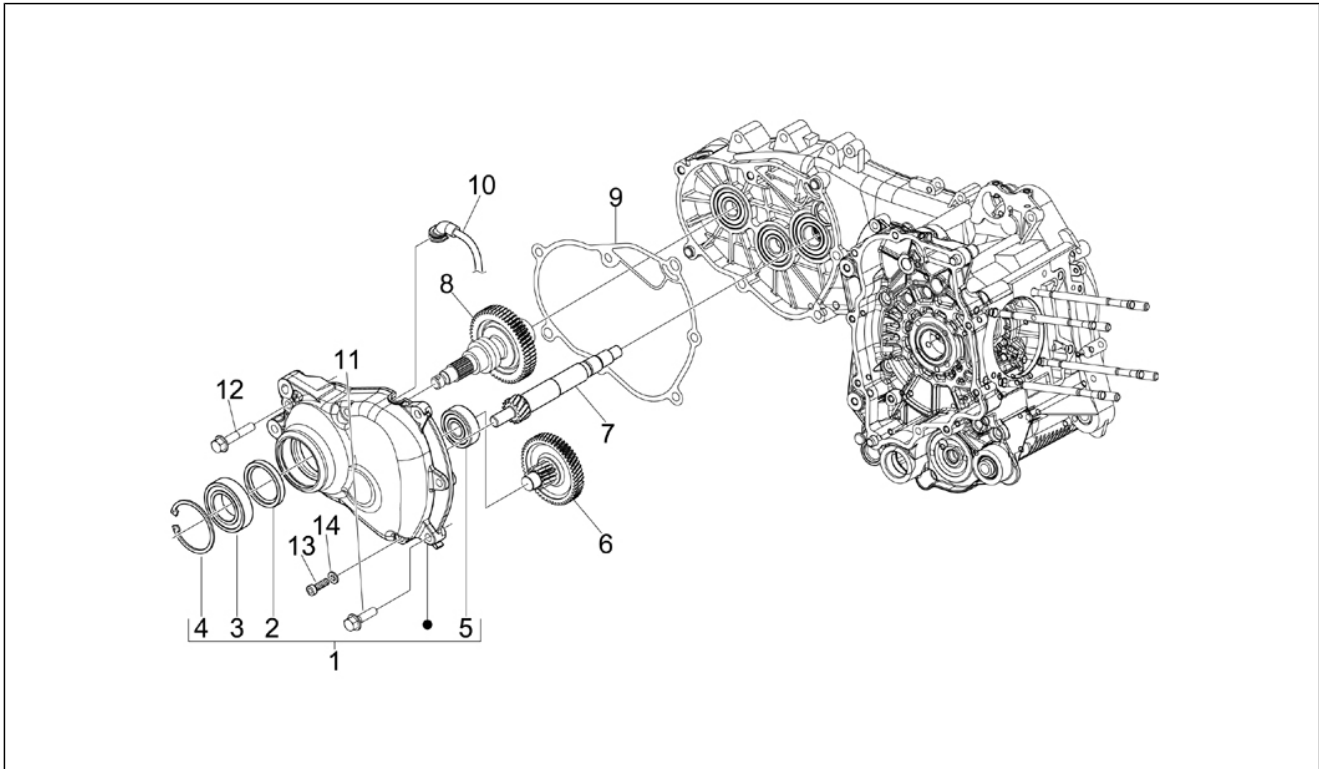


<b>Group</b>	Engine
<b>Code</b>	01.23
<b>Description</b>	Flywheel magneto cover - Oil filter
<b>Service</b>	1



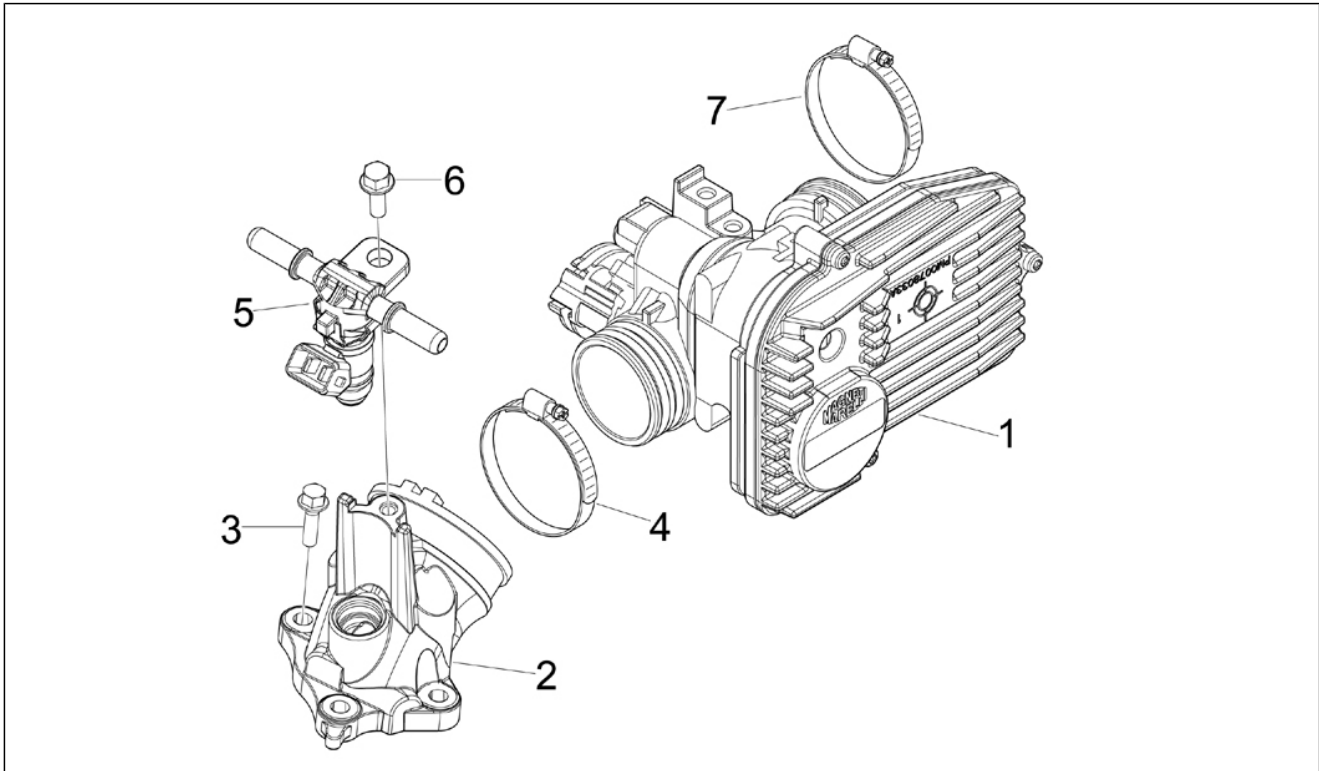
Pos.	Code	Description	Qty	Variants
1	875064	Flywheel cover	1	
2	414838	screw M6x35	9	
3	840504	Flywheel housing cover gasket	1	
4	875949	Oil dipstick	1	
5	479986	O-ring	1	
6	826165	Oil filter plug	1	
7	285536	O-ring 31,47x1,78	1	
8	843568	Intake oil filter	1	
9	288474	O-ring 20,35x1,78	1	
10	641346	***LAMBDA SENSOR PLATE	1	
11	844160	screw	1	
12	641541	Oil pressure sensor	1	
13	486075	Washer 10.5X16X2.5	1	
14	82635R	Oil filter	1	
15	840507	Oil filter special screw	1	

<b>Group</b>	Engine
<b>Code</b>	01.25
<b>Description</b>	Reduction unit
<b>Service</b>	1



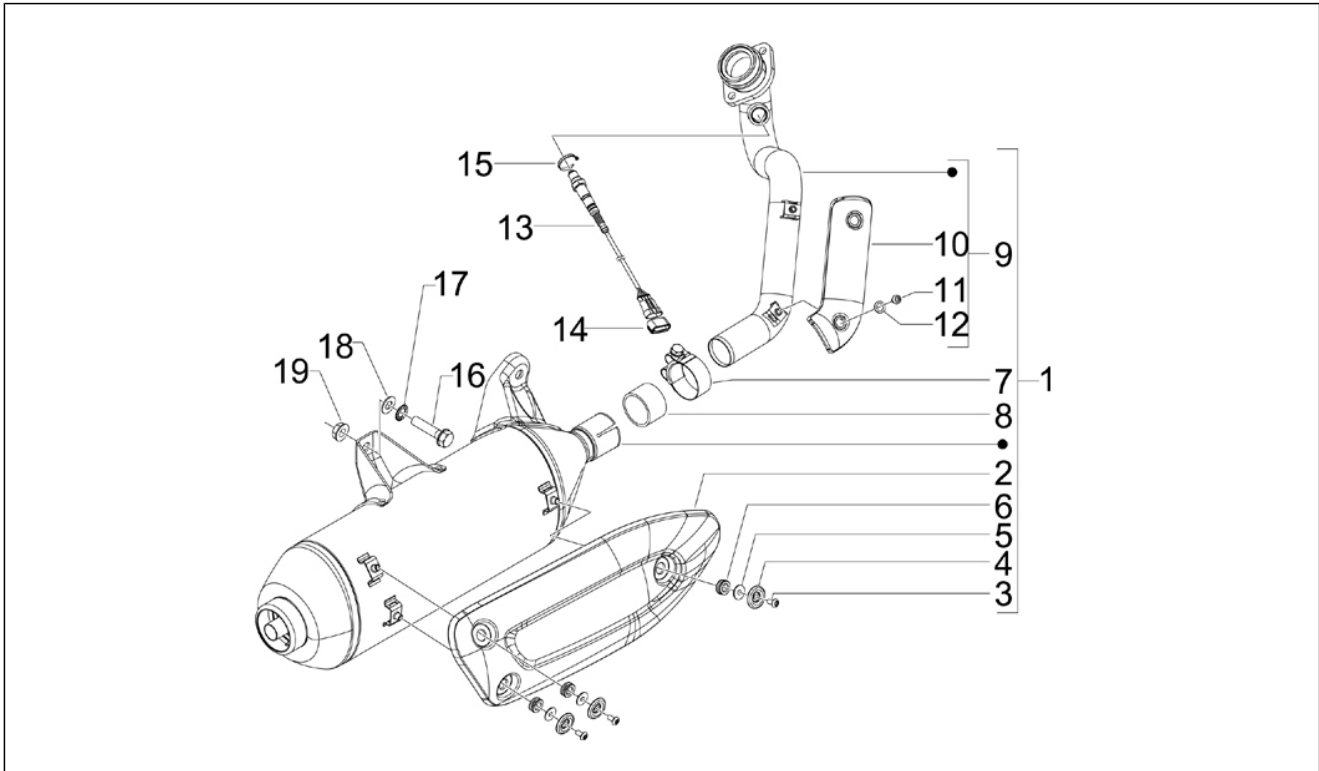
Pos.	Code	Description	Qty	Variants
1	8481875	Side cover	1	
2	873351	Oil seal 38x50x7	1	
3	82659R	Radial bearing 30x55x13	1	
4	829206	Circlip	1	
5	485912	Radial ball bearing 15x42x13	1	
6	830157	Transmission shaft	1	
7	8738755	Driven pulley shaft Z=14	1	
8	8769495	Rear wheel axle	1	
9	847931	Gasket	1	
10	844669	Breather pipe	1	
11	487211	Screw w/ flange M8x45	6	
12	873980	Screw w/ flange M8x40	1	
13	269755	Hex socket screw M8x12	1	
14	485703	Washer 8.2x12x1	1	

<b>Group</b>	Engine
<b>Code</b>	01.36
<b>Description</b>	Throttle body - Injector - Union pipe
<b>Service</b>	1



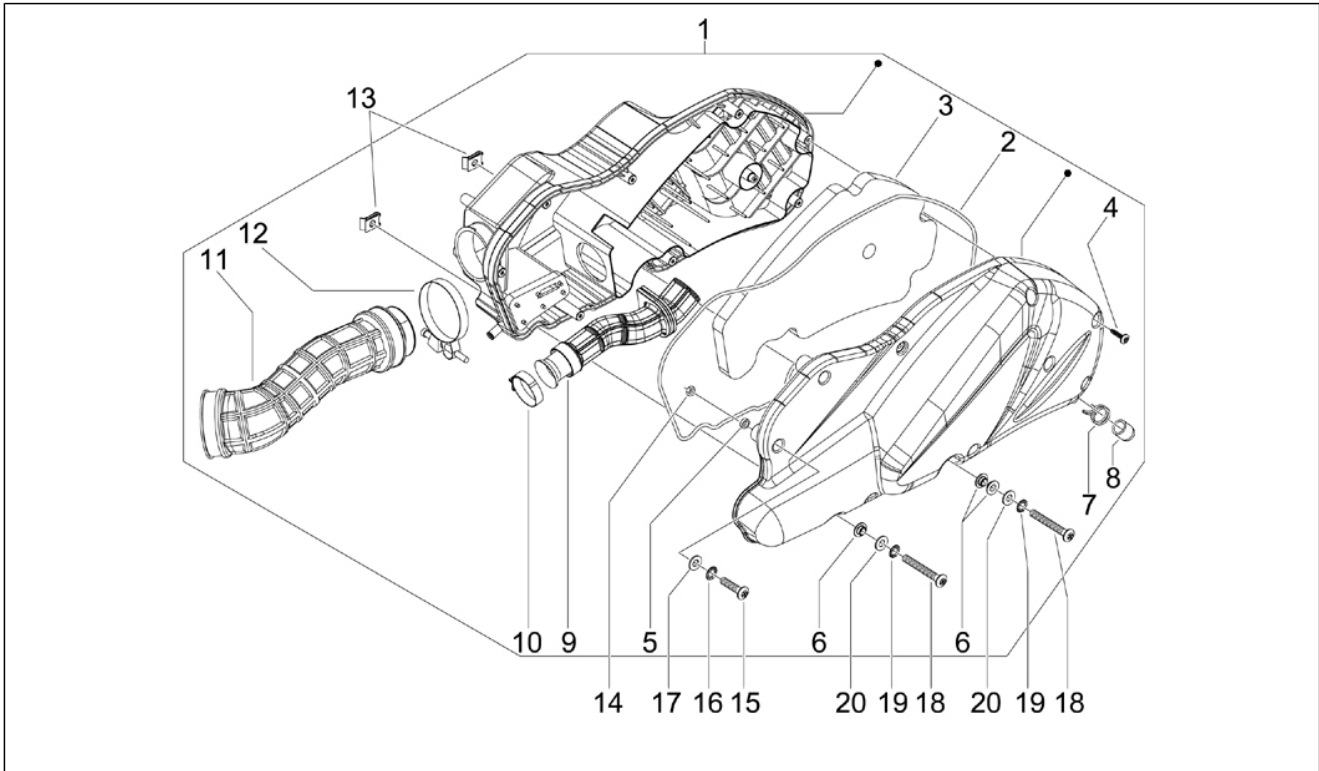
Pos.	Code	Description	Qty	Variants
1	CM081709	Throttle body with electronic control unit	1	
1	CM084801	Throttle body with electronic control unit	1	
2	875694	Union pipe	1	
3	828152	screw M6x22	3	
5	8732885	Complete injector	1	
6	872269	Screw w/ flange M5x8x20	1	
7	260918	Hose clamp	1	

<b>Group</b>	Engine
<b>Code</b>	01.42
<b>Description</b>	Silencer
<b>Service</b>	1



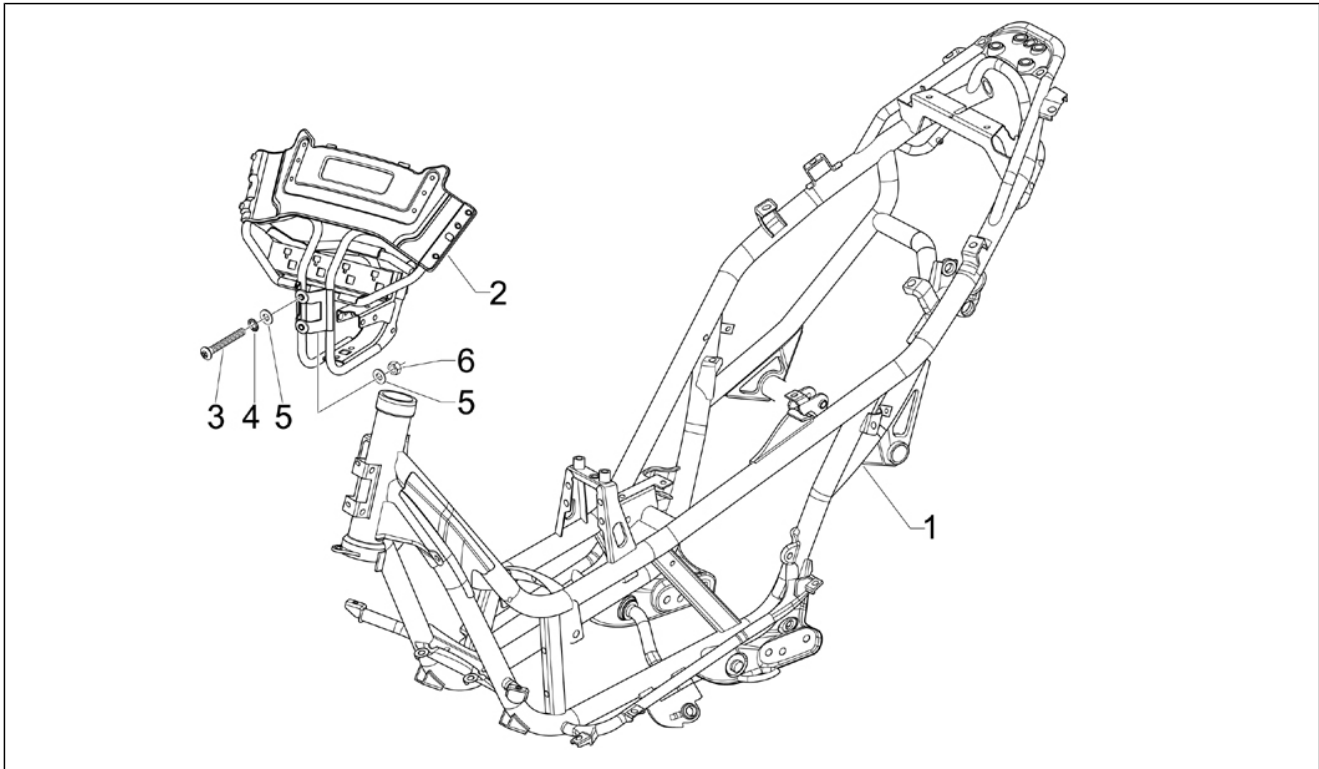
Pos.	Code	Description	Qty	Variants
1	8761735	***SILENCER ASSY	1	
2	877076	Protection	1	
3	842908	screw M5x10	3	
4	482282	Bowl	3	
5	827526	Flat washer	3	
6	487665	Fairlead	3	
7	82789R	Hose clamp	1	
8	826388	Graphite bushing	1	
9	876484	***COMPLETE EXHAUST MANIFOLD	1	
10	842419	Manifold protection	1	
11	842420	screw	2	
12	834951	Conical washer	2	
13	639806	Lamda sensor	1	
14	639632	Instrument support	1	
15	145298	Lock-strap L=180mm	1	
16	015792	screw M8x30	3	
17	834187	Spring washer 16x8,2x2,2	3	
18	848452	Flat washer 19,3x8,2x2,5	3	
19	436947	Nut	2	

<b>Group</b>	Engine
<b>Code</b>	01.45
<b>Description</b>	Air filter
<b>Service</b>	1



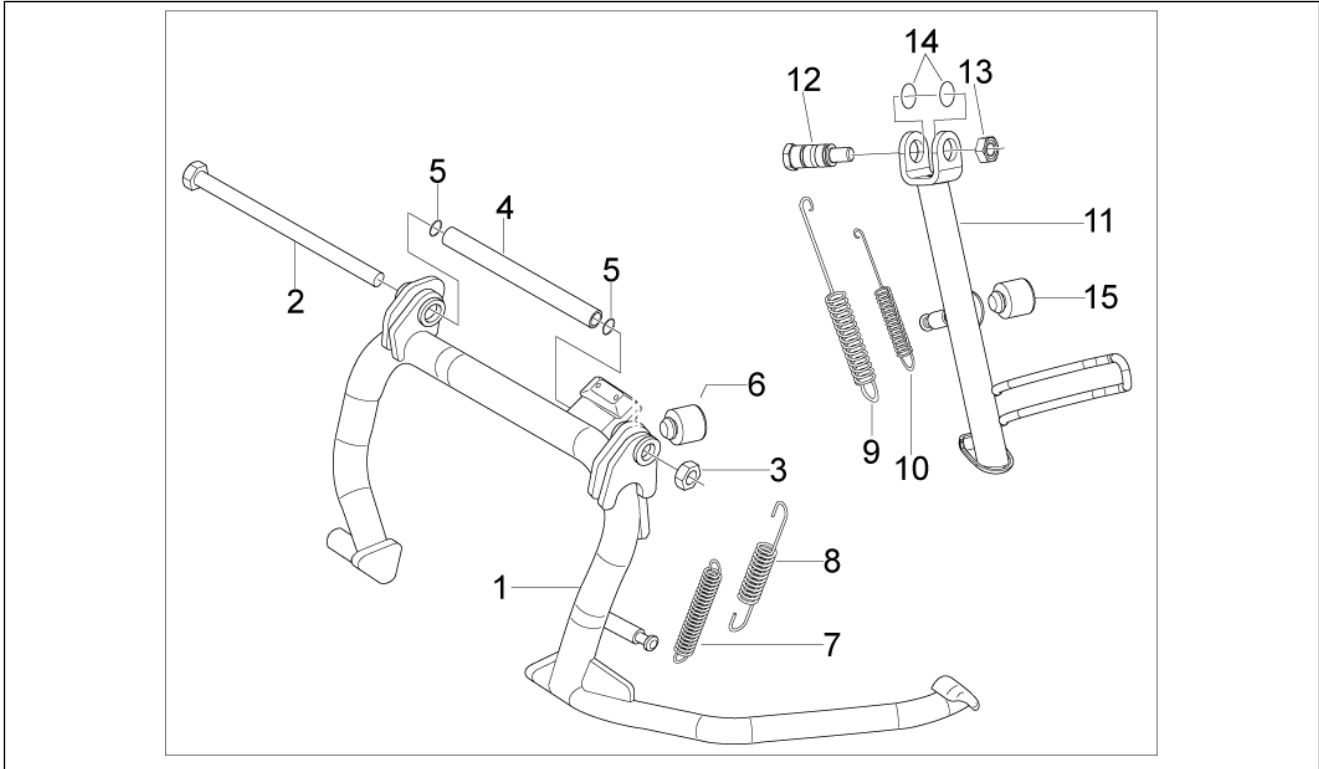
Pos.	Code	Description	Qty	Variants
1	876151	***AIR CLEANER ASSY	1	
2	829259	Filter cover gasket	1	
3	829258	Air filter	1	
4	258146	Self-tap screw M3x20	9	
5	830057	Bushing	2	
6	830056	Knurled bushing	4	
7	CM002910	Hose clamp	2	
8	827831	Cap	2	
9	845996	Air cleaner/vehicle sleeve	1	
10	830015	Hose clip 35-33	1	
11	876317	Intake hose	1	
12	260918	Hose clamp	1	
13	254485	Spring plate M6	2	
14	241936	Self locking nut M6	1	
15	259166	screw	1	
16	012533	Notched washer 6,6x11x0	1	
17	003056	Flat washer 6,4x12x1	1	
18	018640	Special cap screw M6x50	2	
19	012533	Notched washer 6,6x11x0	2	
20	003056	Flat washer 6,4x12x1	2	

<b>Group</b>	Frame - Plastic parts - Coachwork
<b>Code</b>	02.01
<b>Description</b>	Frame/bodywork
<b>Service</b>	1



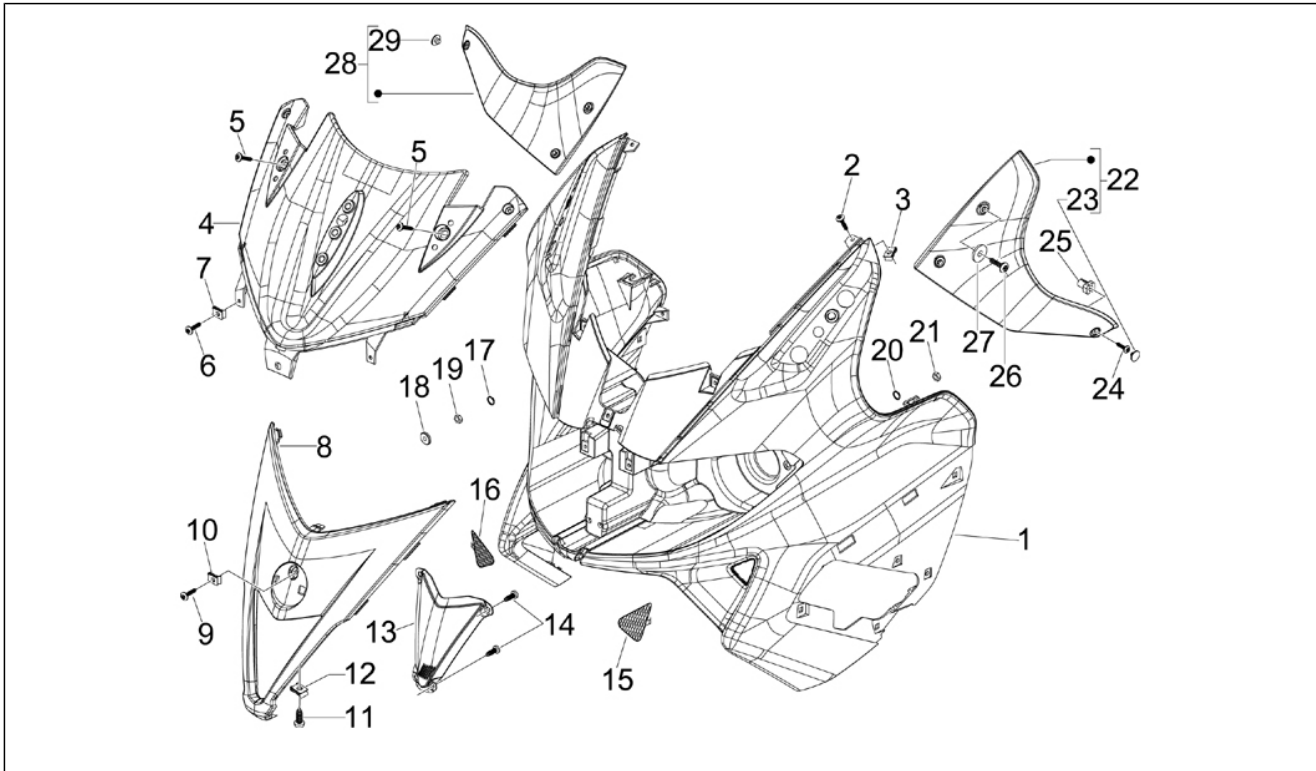
Pos.	Code	Description	Qty	Variants
1	6555945	Frame	1	
2	9750395	Frame	1	
3	432142	screw M6x60	2	
4	012533	Notched washer 6,6x11x0	2	
5	013950	Washer 6,2x18x2	4	
6	969224	Nut	2	

<b>Group</b>	Frame - Plastic parts - Coachwork
<b>Code</b>	02.25
<b>Description</b>	Stand/s
<b>Service</b>	1



Pos.	Code	Description	Qty	Variants
1	56449R	Central stand	1	
2	030115	Hex screw M10x130	1	
4	582298	Spacer	1	
5	273754	O-ring	2	
6	272426	Pad	1	
7	582850	Internal lateral stand spring	1	
8	582851	Lateral stand spring	1	
9	295789	Spring	1	
10	295788	Spring	1	
11	647473	Side Stand with i.p.	1	
12	647595	Side stand fixing screw.	1	
14	191189	Gasket	2	
15	164245	Stop buffer	1	

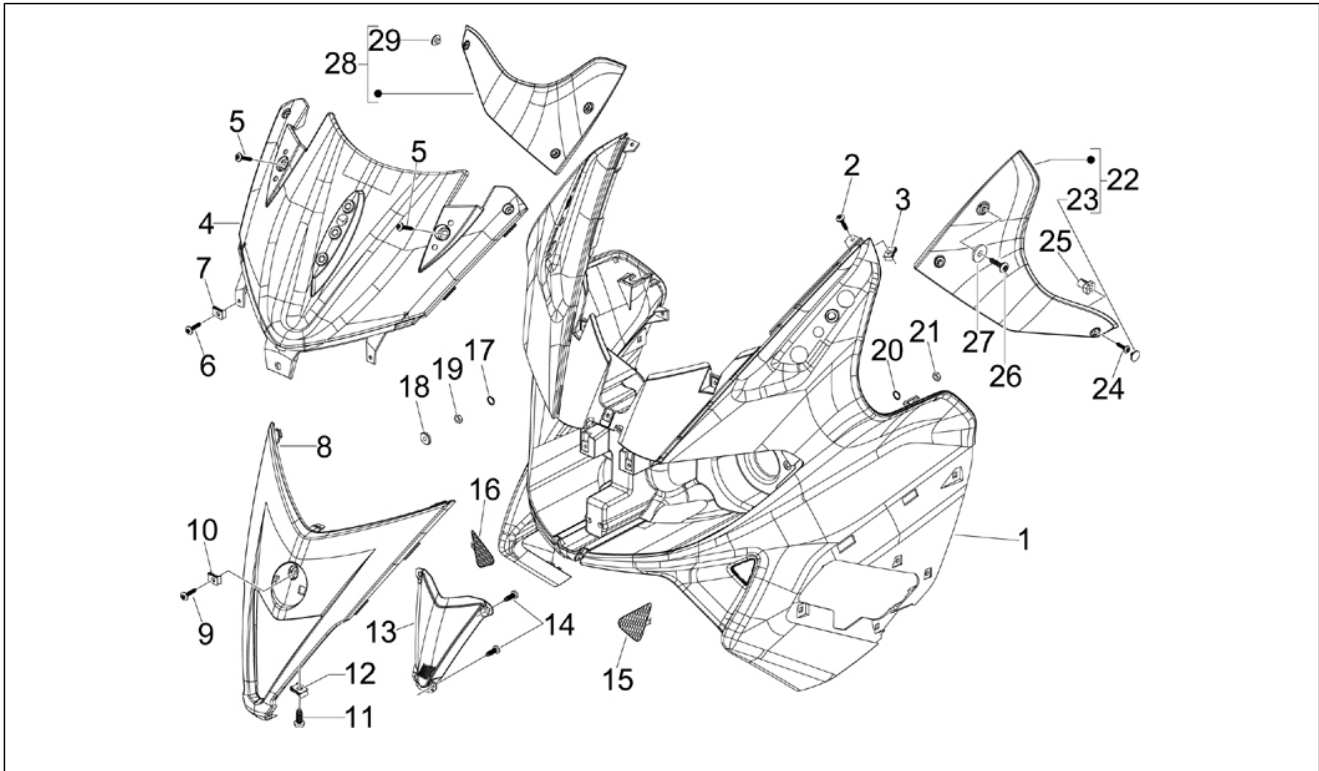
<b>Group</b>	Frame - Plastic parts - Coachwork
<b>Code</b>	02.26
<b>Description</b>	Front shield
<b>Service</b>	1



Pos.	Code	Description	Qty	Variants
1	624503	Font fairing, blank	1	
1	62450300BM	Front shield, white	1	Vehicle colour:White2011[white]
1	62450300XN2	Front shield	1	Vehicle colour:Black2011[black]
2	575249	Screw with shank M6	3	
3	254485	Spring plate M6	1	
4	975051000G	Upper front frame	1	
5	259830	Metric screw M6x20	2	
6	259349	Screw M4,2x13	2	
7	CM017410	Spring plate	2	
8	62436900BM	Lower front frame	1	Vehicle colour:White2011[white]
8	62436900XR4	Lower front frame	1	Vehicle colour:Black2011[black]
9	575249	Screw with shank M6	1	
10	254485	Spring plate M6	1	
11	CM017410	Spring plate	2	
12	258249	screw 4,2x19	2	
13	67398200YE1	Front frame mains	1	
14	297498	Self tapping screw M3,5x13	4	
15	975725	Grid	1	
16	975726	Grid	1	
17	287223	Ring	3	
18	599284	Washer	3	
19	020206	Nut M6	3	
20	287223	Ring	4	
21	020206	Nut M6	4	
22	652848000C	Left hand guard cover	1	
23	293717	Cover	1	
24	297498	Self tapping screw M3,5x13	2	
25	199190	Expansion plug	2	

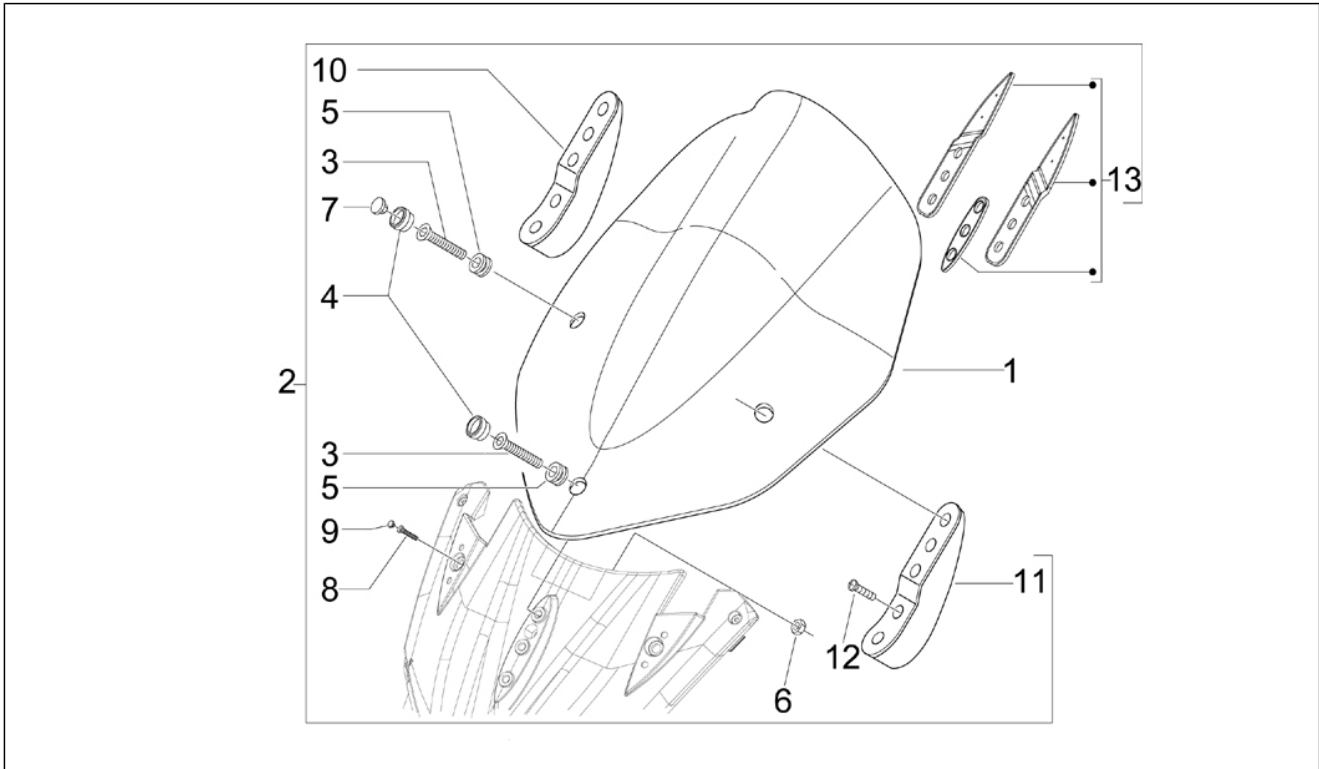


<b>Group</b>	Frame - Plastic parts - Coachwork
<b>Code</b>	02.26
<b>Description</b>	Front shield
<b>Service</b>	1



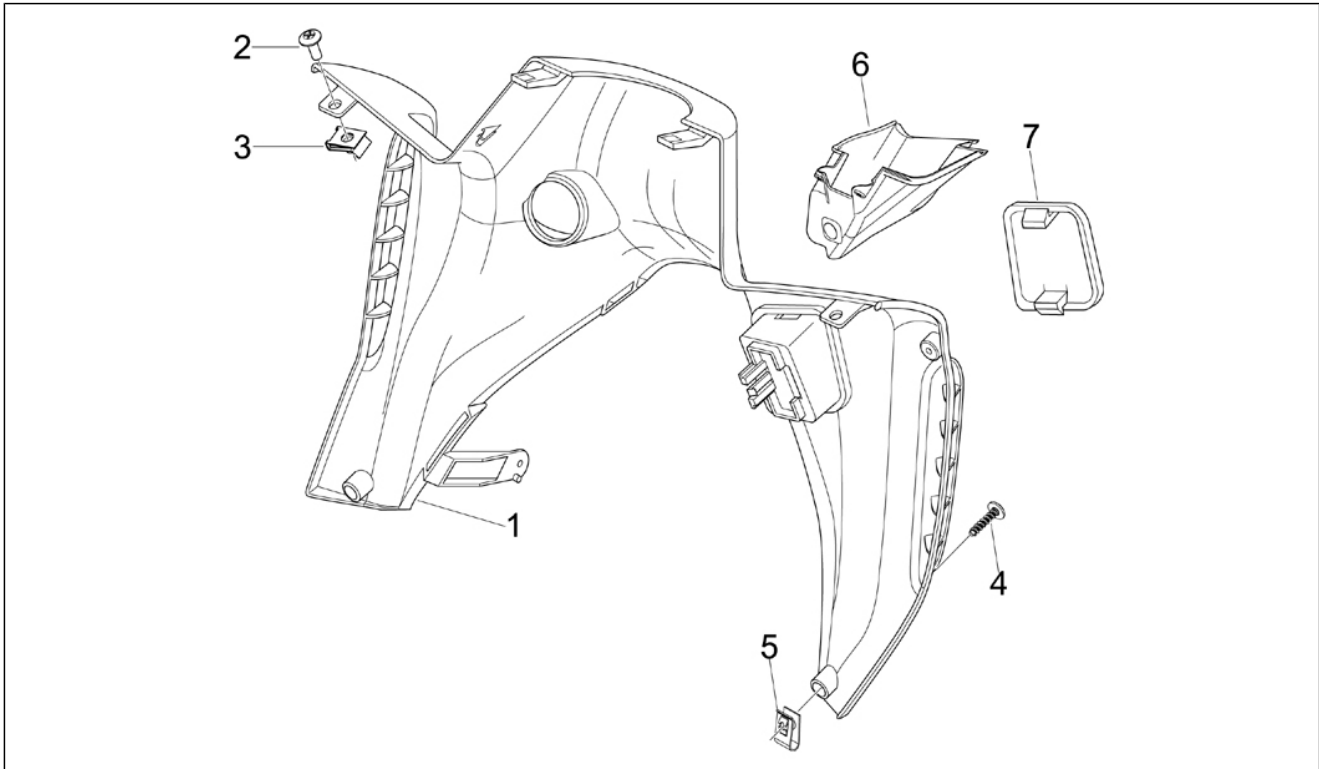
Pos.	Code	Description	Qty	Variants
26	620365	Hex socket screw M6x30	4	
27	269134	Flat washer	4	
28	652849000C	Right hand guard cover	1	
29	293717	Cover	1	

<b>Group</b>	Frame - Plastic parts - Coachwork
<b>Code</b>	02.27
<b>Description</b>	Windshield - Glass
<b>Service</b>	1



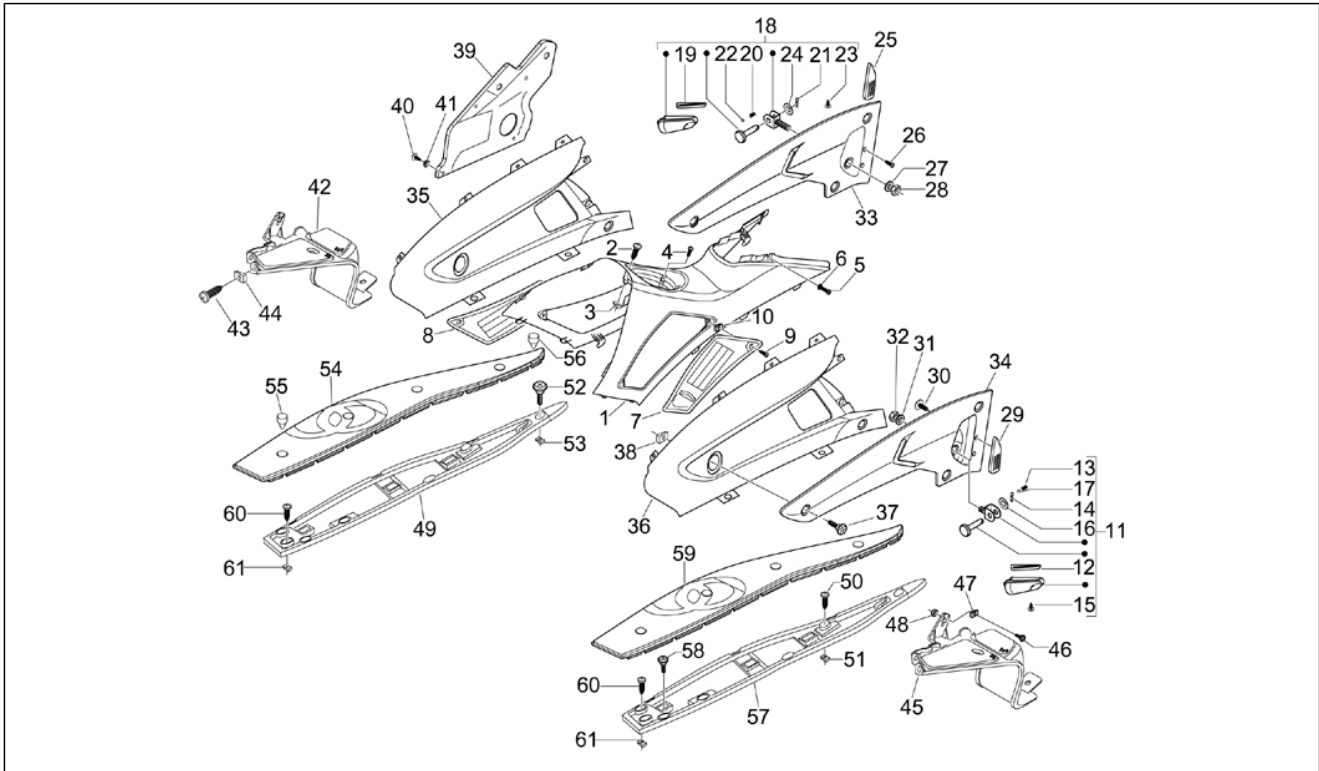
Pos.	Code	Description	Qty	Variants
1	656527	Windscreen	1	
2	975760000G	Windshield connections kit	1	
3	975856	Screw	3	
4	621940	Windshield stud	3	
5	560173	Rubber spacer	3	
6	020206	Nut M6	2	
7	577237	Cover	4	
8	575249	Screw with shank M6	2	
9	D9004468231	Clip	2	
10	975508000G	Right arm	1	
11	975509000G	Left arm	1	
12	259830	Metric screw M6x20	4	
13	975750	Gaskets set	1	

<b>Group</b>	Frame - Plastic parts - Coachwork
<b>Code</b>	02.30
<b>Description</b>	Front glove-box - Knee-guard panel
<b>Service</b>	1



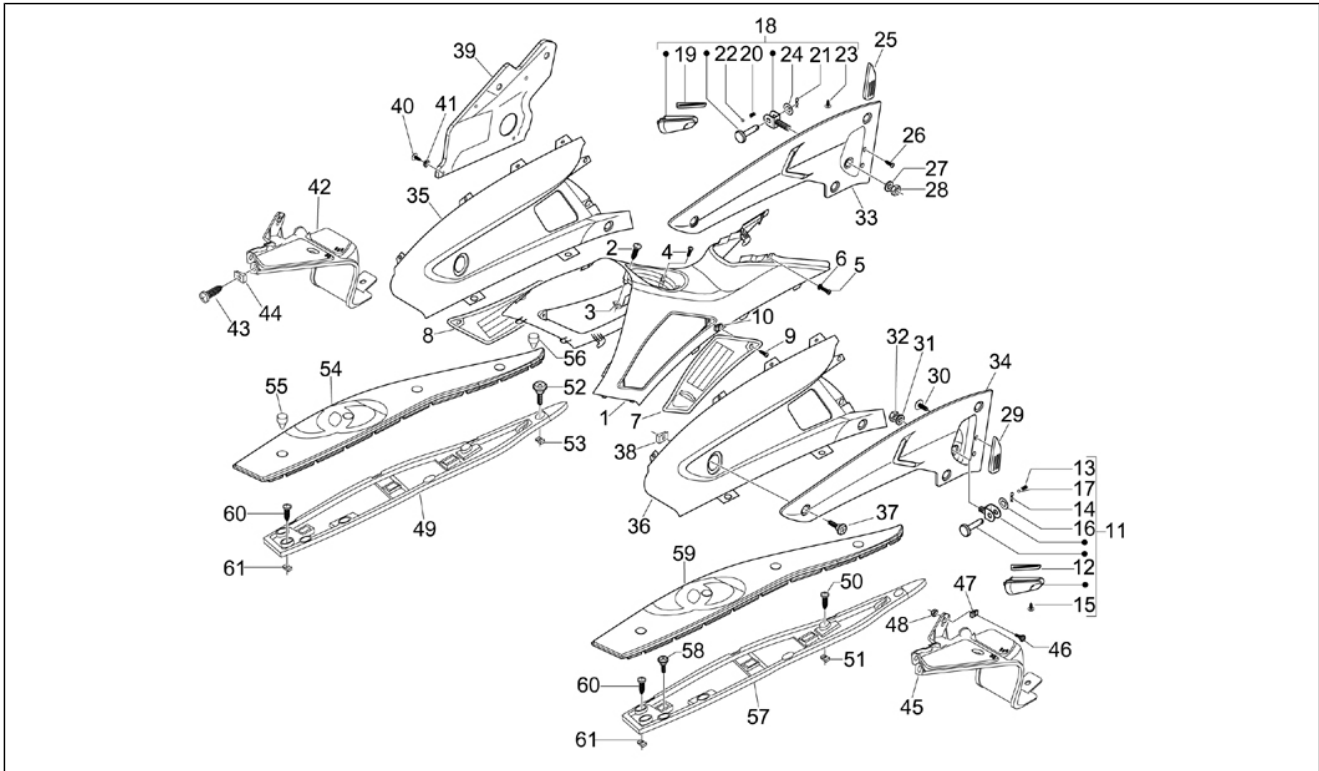
Pos.	Code	Description	Qty	Variants
1	624518000G	Front leg shield back plate	1	
2	575249	Screw with shank M6	2	
3	254485	Spring plate M6	2	
4	259372	Self tapping screw M4,2x25	6	
5	CM017410	Spring plate	6	
6	975506000G	Dashboard box	1	
7	975674000G	Cover	1	

<b>Group</b>	Frame - Plastic parts - Coachwork
<b>Code</b>	02.31
<b>Description</b>	Central cover - Footrests
<b>Service</b>	1



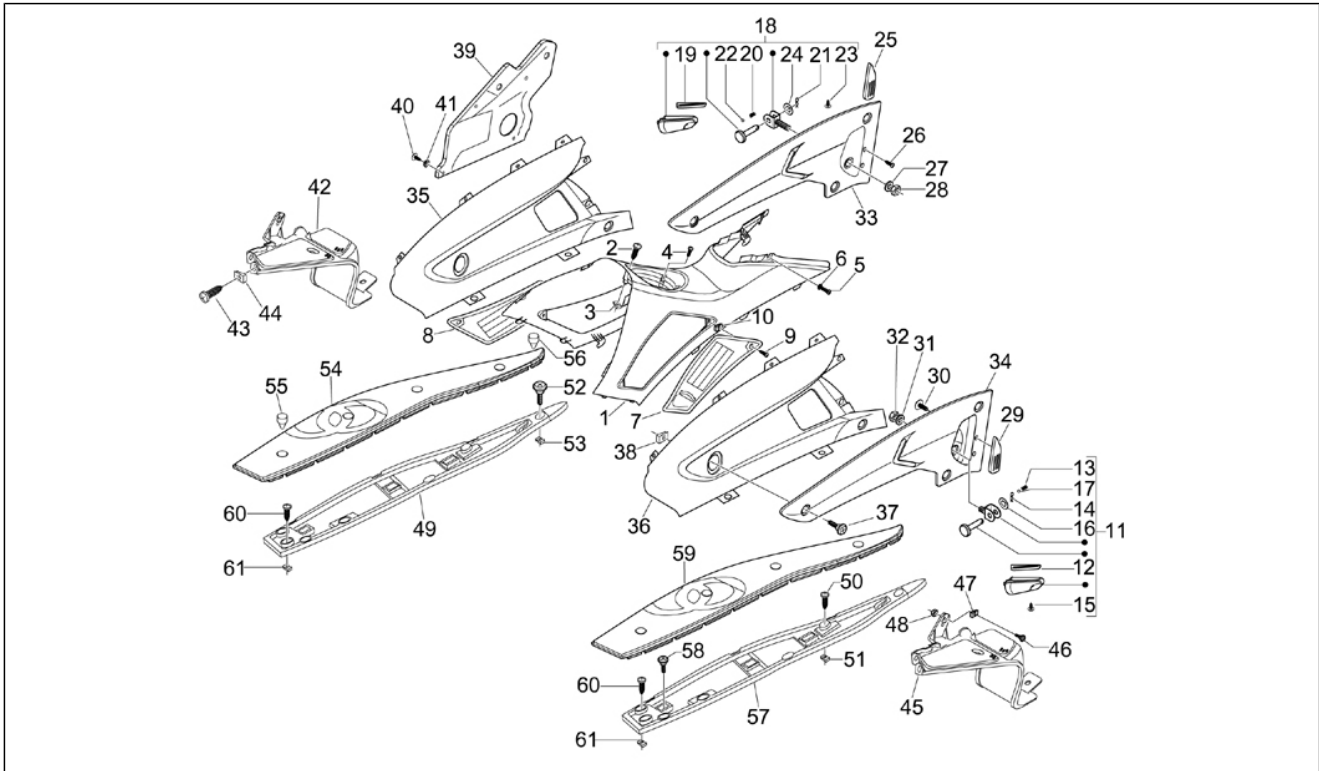
Pos.	Code	Description	Qty	Variants
1	975059000G	Tyre	1	
2	258249	screw 4,2x19	1	
3	CM017410	Spring plate	3	
4	292823	Self tapping screw	4	
5	259349	Screw M4,2x13	2	
6	013763	Flat washer 4,2x12x1	2	
7	975500000G	Net panel (l)	1	
8	975501000G	Net panel (r)	1	
9	258249	screw 4,2x19	2	
10	CM017410	Spring plate	2	
11	65413100EU	Rear footrest, LH	1	
12	975558	Gasket	1	
13	295590	Premisphere spring	1	
14	259933	Elastic spring	1	
15	315092	screw	2	
16	003058	Plain washer 15x8,4x1,5	1	
17	295591	Ball D6	1	
18	65413200EU	Rear footrest, RH cpl	1	
19	975559	Gasket	1	
20	295590	Premisphere spring	1	
21	259933	Elastic spring	1	
22	295591	Ball D6	1	
23	315092	screw	2	
24	003058	Plain washer 15x8,4x1,5	1	
25	621370	Guard	1	
26	297498	Self tapping screw M3,5x13	2	
27	436698	Belleville spring	1	
28	020210	Nut	1	

<b>Group</b>	Frame - Plastic parts - Coachwork
<b>Code</b>	02.31
<b>Description</b>	Central cover - Footrests
<b>Service</b>	1



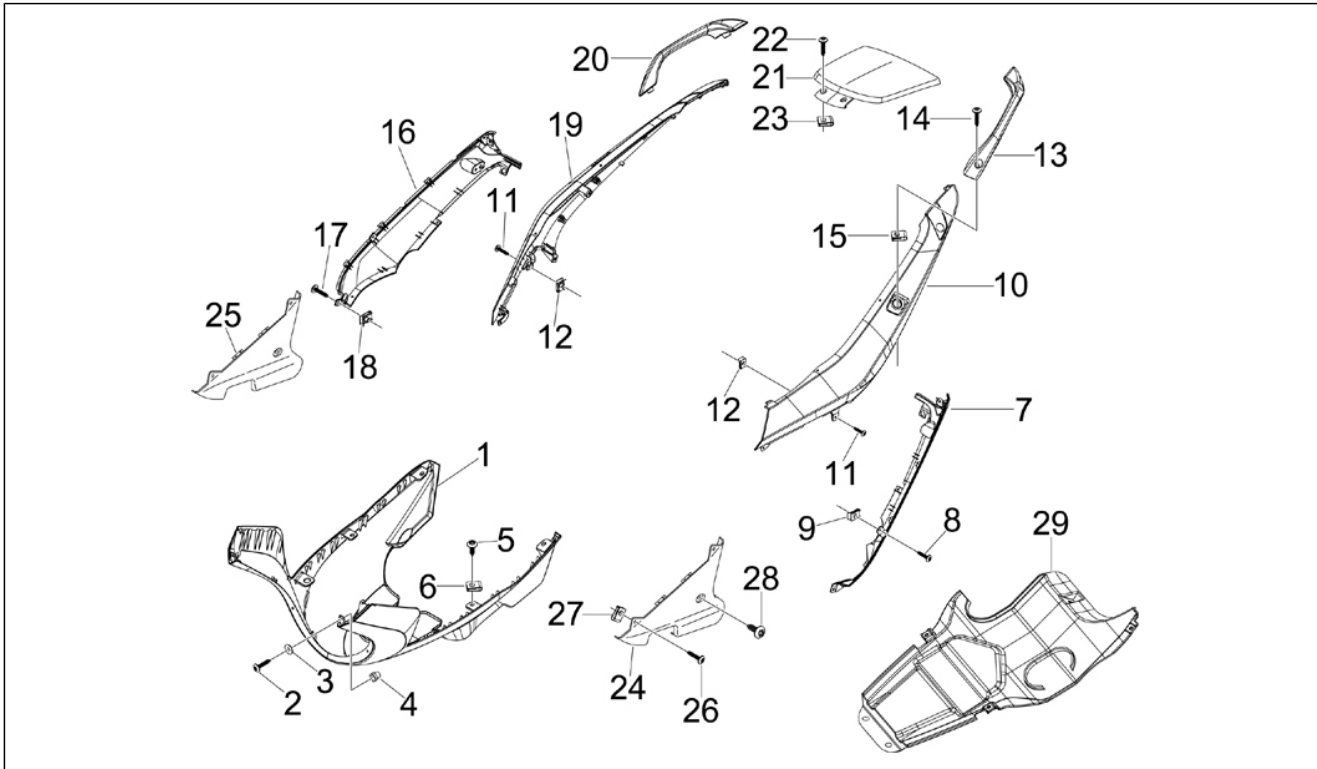
Pos.	Code	Description	Qty	Variants
29	621369	Guard	1	
30	297498	Self tapping screw M3,5x13	2	
31	436698	Belleville spring	1	
32	020210	Nut	1	
33	97549600EU	Right lateral side	1	
34	97549500EU	Left lateral side cover	1	
35	656666000G	RH side panel	1	
36	656665000G	LH side panel	1	
37	975855	screw	6	
38	575268	Spring plate M8	4	
39	975850	Protection	1	
40	008423	Self-tap screw 4,8x9,5	4	
41	003055	Plain washer 5,4x10x0,8	4	
42	975503000G	RH Foot rests	1	
43	575249	Screw with shank M6	2	
44	254485	Spring plate M6	2	
45	975502000G	LH Foot rests	1	
46	015996	Screw M4x12	2	
47	975826	Plate	2	
48	020104	Nut M4	2	
49	975063000G	Footrest	1	
50	258249	screw 4,2x19	4	
51	CM017410	Spring plate	4	
52	575249	Screw with shank M6	4	
53	254485	Spring plate M6	4	
54	673985	Right mat	1	
55	975662	Pin	8	
56	621618	Cover	2	

<b>Group</b>	Frame - Plastic parts - Coachwork
<b>Code</b>	02.31
<b>Description</b>	Central cover - Footrests
<b>Service</b>	1



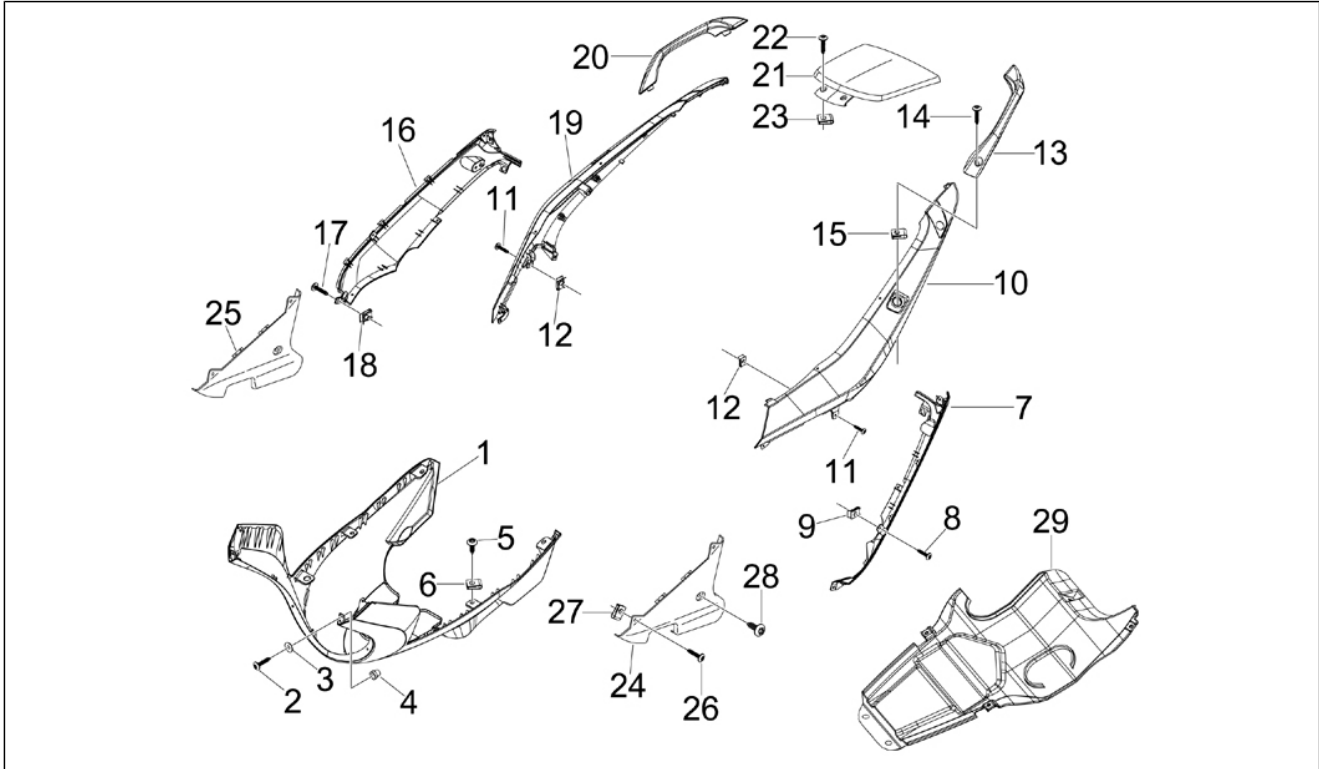
Pos.	Code	Description	Qty	Variants
57	975062000G	Footrest	1	
58	267958	Self tapping screw L=20 mm	4	
59	673984	Left mat	1	
60	258249	screw 4,2x19	2	
61	CM017410	Spring plate	2	

<b>Group</b>	Frame - Plastic parts - Coachwork
<b>Code</b>	02.32
<b>Description</b>	Side cover - Spoiler
<b>Service</b>	1



Pos.	Code	Description	Qty	Variants
1	975064000G	Spoiler	1	Vehicle colour:White2011[white]
1	97506400XN2	Spoiler	1	Vehicle colour:Black2011[black]
2	270793	TBCIC Screw 3,8x16	2	
3	013963	Washer	2	
4	975841	Bushing	2	
5	272836	Screw M6x16	2	
6	254485	Spring plate M6	2	
7	624504000G	Left lower rear side	1	
8	258249	screw 4,2x19	8	
9	CM017410	Spring plate	8	
10	97505600BM	Left upper rear side	1	Vehicle colour:White2011[white]
10	97505600XN2	Left upper rear side	1	Vehicle colour:Black2011[black]
11	258249	screw 4,2x19	6	
12	CM017410	Spring plate	6	
13	975043	Left passenger handle	1	
13	97504300BM	Left passenger handle	1	Vehicle colour:White2011[white]
13	97504300XN2	Left passenger handle	1	Vehicle colour:Black2011[black]
14	975840	Hex socket screw	4	
15	575268	Spring plate M8	2	
16	624505000G	Right lower rear side	1	
17	258249	screw 4,2x19	12	
18	CM017410	Spring plate	12	
19	97505700BM	Right upper rear side	1	Vehicle colour:White2011[white]
19	97505700XN2	Right upper rear side	1	Vehicle colour:Black2011[black]
20	97504400BM	Right passenger handle	1	Vehicle colour:White2011[white]
20	97504400XN2	Right passenger handle	1	Vehicle colour:Black2011[black]
21	97506100BM	Cover	1	Vehicle colour:White2011[white]
21	97506100XN2	Cover	1	Vehicle colour:Black2011[black]

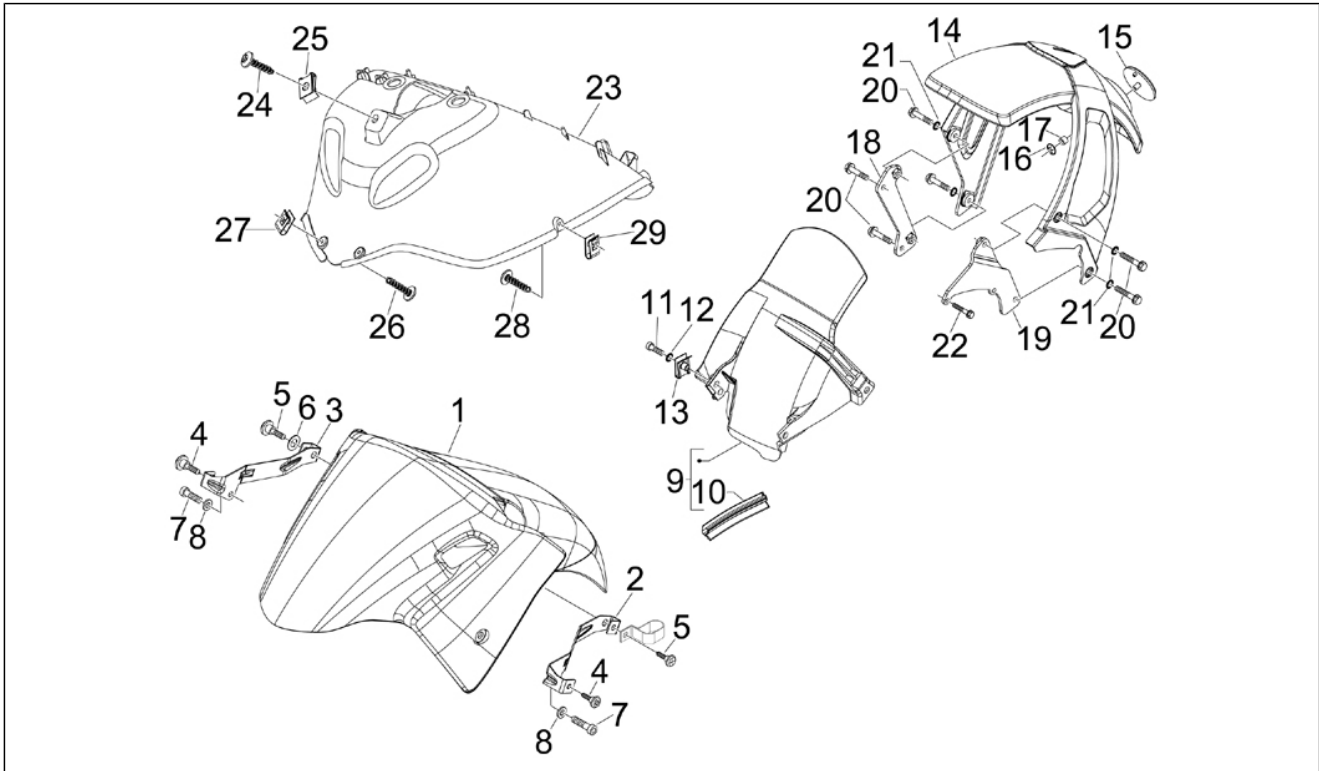
<b>Group</b>	Frame - Plastic parts - Coachwork
<b>Code</b>	02.32
<b>Description</b>	Side cover - Spoiler
<b>Service</b>	1



Pos.	Code	Description	Qty	Variants
22	258249	screw 4,2x19	2	
23	CM017410	Spring plate	2	
24	975176000G	Tyre	1	
25	975177000G	Tyre	1	
26	258249	screw 4,2x19	4	
27	CM017410	Spring plate	4	
28	259830	Metric screw M6x20	2	
29	624519000G	Rear lower side closing	1	

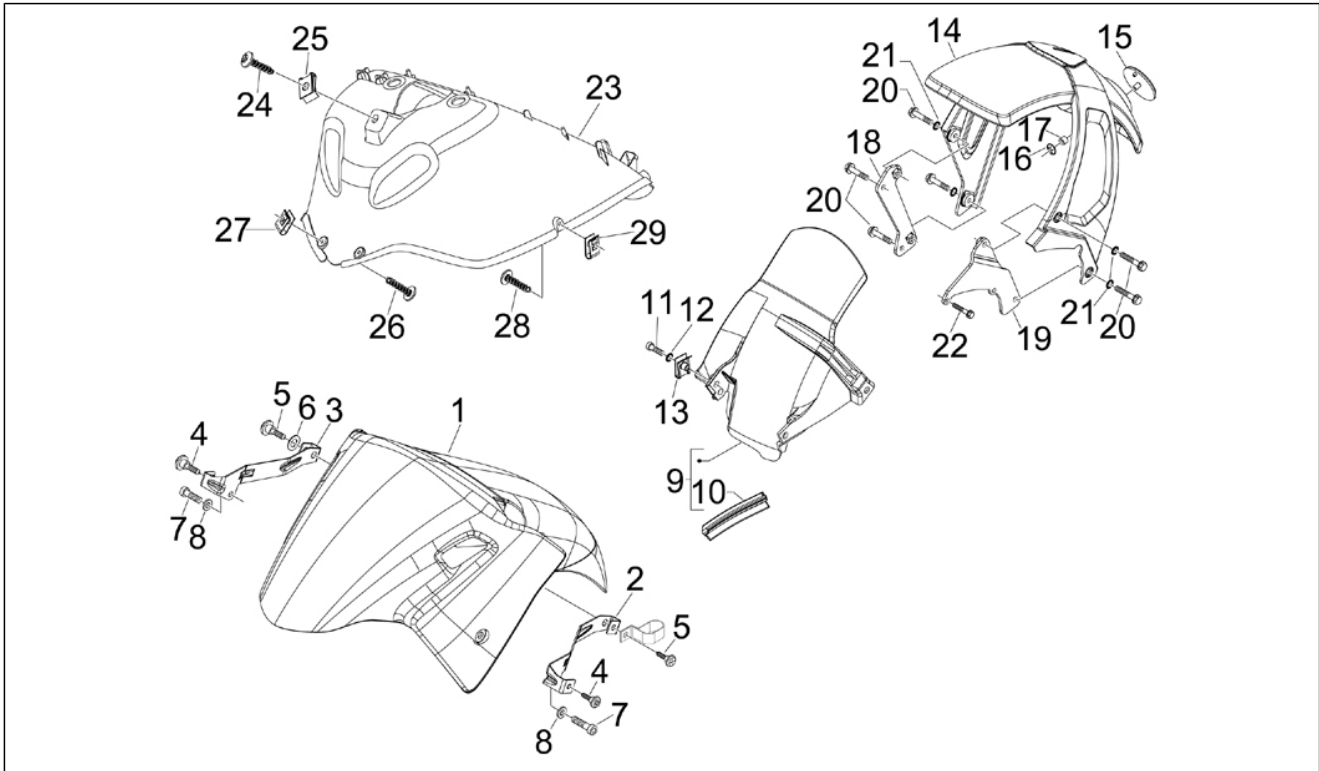


<b>Group</b>	Frame - Plastic parts - Coachwork
<b>Code</b>	02.33
<b>Description</b>	Wheel huosing - Mudguard
<b>Service</b>	1



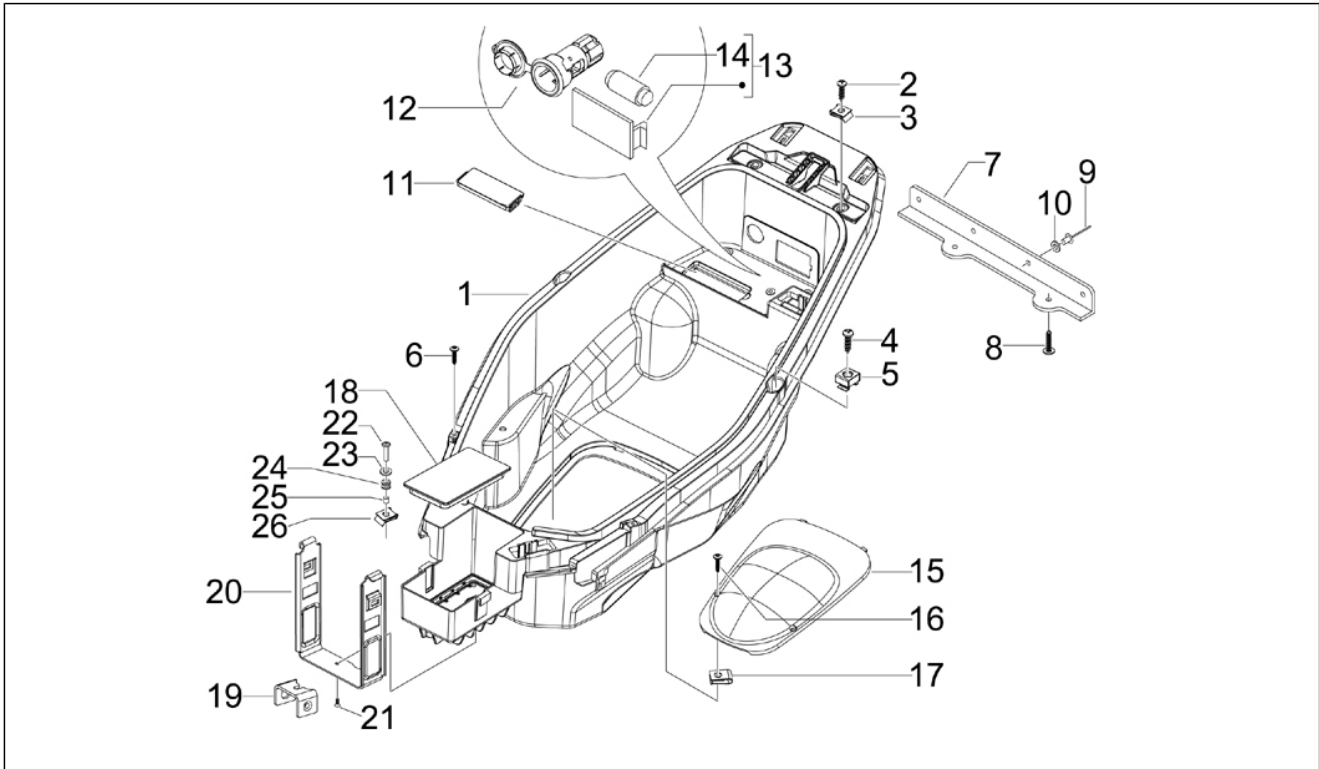
Pos.	Code	Description	Qty	Variants
1	650226000G	Front mudguard, white	1	Vehicle colour:White2011[white]
1	65022600XN2	Front mudguard, black	1	Vehicle colour:Black2011[black]
2	650469	LH support	1	
3	650467	RH support	1	
4	AP8152302	Screw w/ flange M5x12	2	
5	575249	Screw with shank M6	2	
6	013762	Washer	1	
7	709099	Hex socket screw M6x16	2	
8	006976	Spring washer 12x6,4x0,5	2	
9	652976	Rear splash guard	1	
10	CM175101	Gasket	1	
11	015804	screw	1	
12	006976	Spring washer 12x6,4x0,5	1	
13	254485	Spring plate M6	1	
14	624640	Rear mudguard	1	
15	582922	Reflector	1	
16	180859	Plate	1	
17	479882	Spacer	1	
18	624515	RH support	1	
19	624514	LH support	1	
20	018639	Hex screw M6x20	6	
21	006976	Spring washer 12x6,4x0,5	4	
22	414838	screw M6x35	1	
23	657049	Front wheel housing	1	
24	272836	Screw M6x16	1	
25	254485	Spring plate M6	1	
26	258249	screw 4,2x19	2	
27	CM017410	Spring plate	2	

<b>Group</b>	Frame - Plastic parts - Coachwork
<b>Code</b>	02.33
<b>Description</b>	Wheel huosing - Mudguard
<b>Service</b>	1



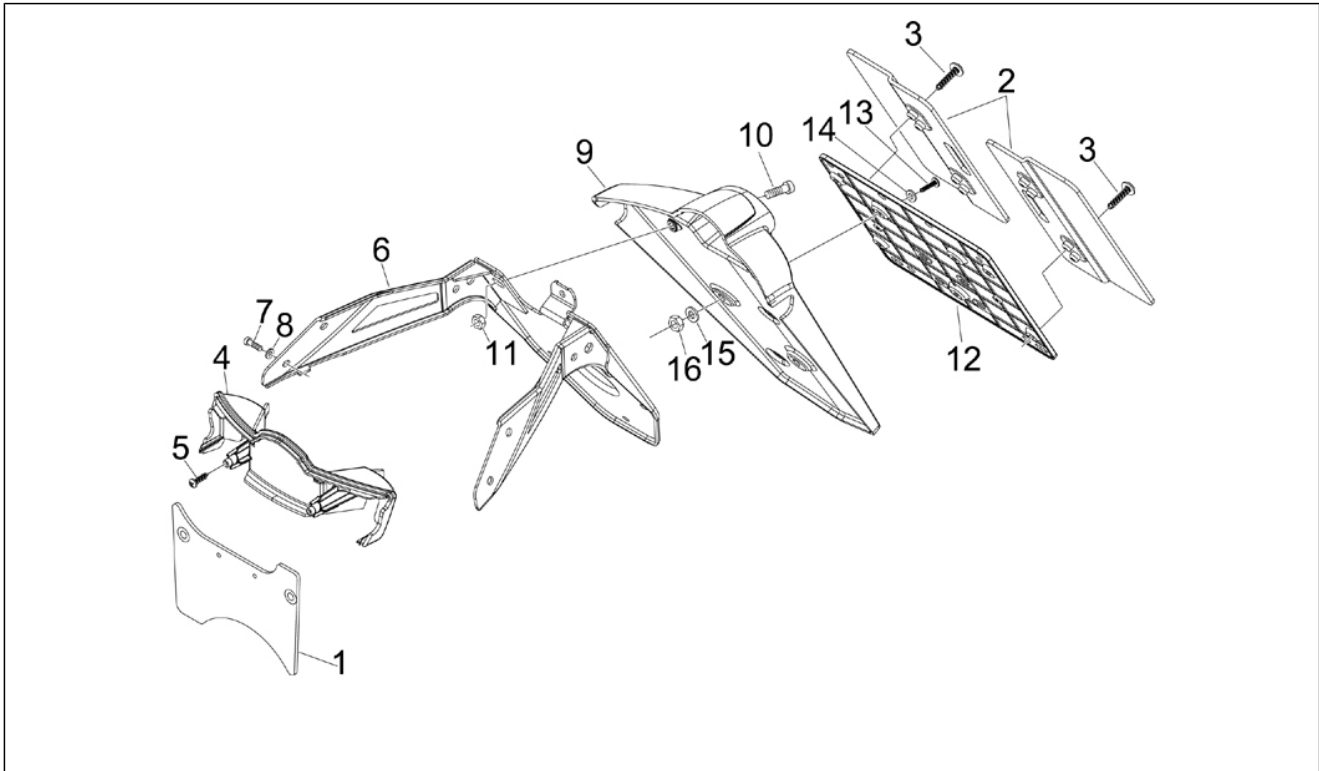
Pos.	Code	Description	Qty	Variants
28	258249	screw 4,2x19	4	
29	CM017410	Spring plate	4	

<b>Group</b>	Frame - Plastic parts - Coachwork
<b>Code</b>	02.34
<b>Description</b>	Helmet huosing - Undersaddle
<b>Service</b>	1



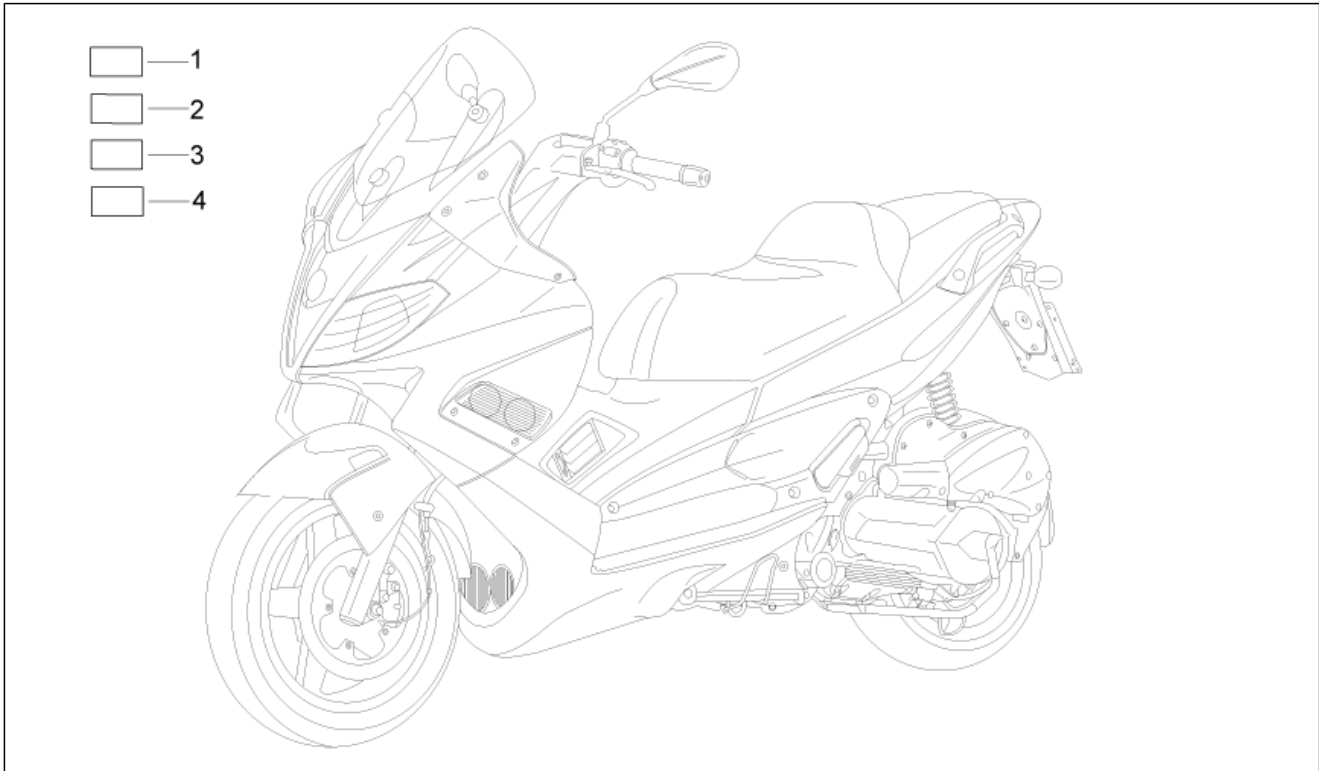
Pos.	Code	Description	Qty	Variants
1	653905	Helmet compartment	1	
2	018623	Self-tapping screw	1	
3	CM017409	Spring plate	2	
4	575249	Screw with shank M6	4	
5	191962	Nut	2	
6	272836	Screw M6x16	2	
7	624824	Splash guard support	1	
8	270793	TBCIC Screw 3,8x16	2	
9	252099	Rivet	4	
10	016670	Washer 4,5x12x1	4	
11	575551	Insp. door	1	
12	294770	LV socket 12V	1	
13	293154	Ceiling bowl	1	
14	071633	Torpedo shaped lamp 12V-5W	1	
15	624098	Carburettor access cover	1	
16	270723	Self tapping screw	2	
17	CM017410	Spring plate	2	
18	653906	Battery cover	1	
19	975747	Plate	1	
20	975587	plate	1	
21	270793	TBCIC Screw 3,8x16	1	
22	271891	Screw m6x30	2	
23	013092	Washer d6,2x20x1	2	
24	257301	Pad	2	
25	257302	Spacer	2	
26	254485	Spring plate M6	2	

<b>Group</b>	Frame - Plastic parts - Coachwork
<b>Code</b>	02.37
<b>Description</b>	Rear cover - Splash guard
<b>Service</b>	1



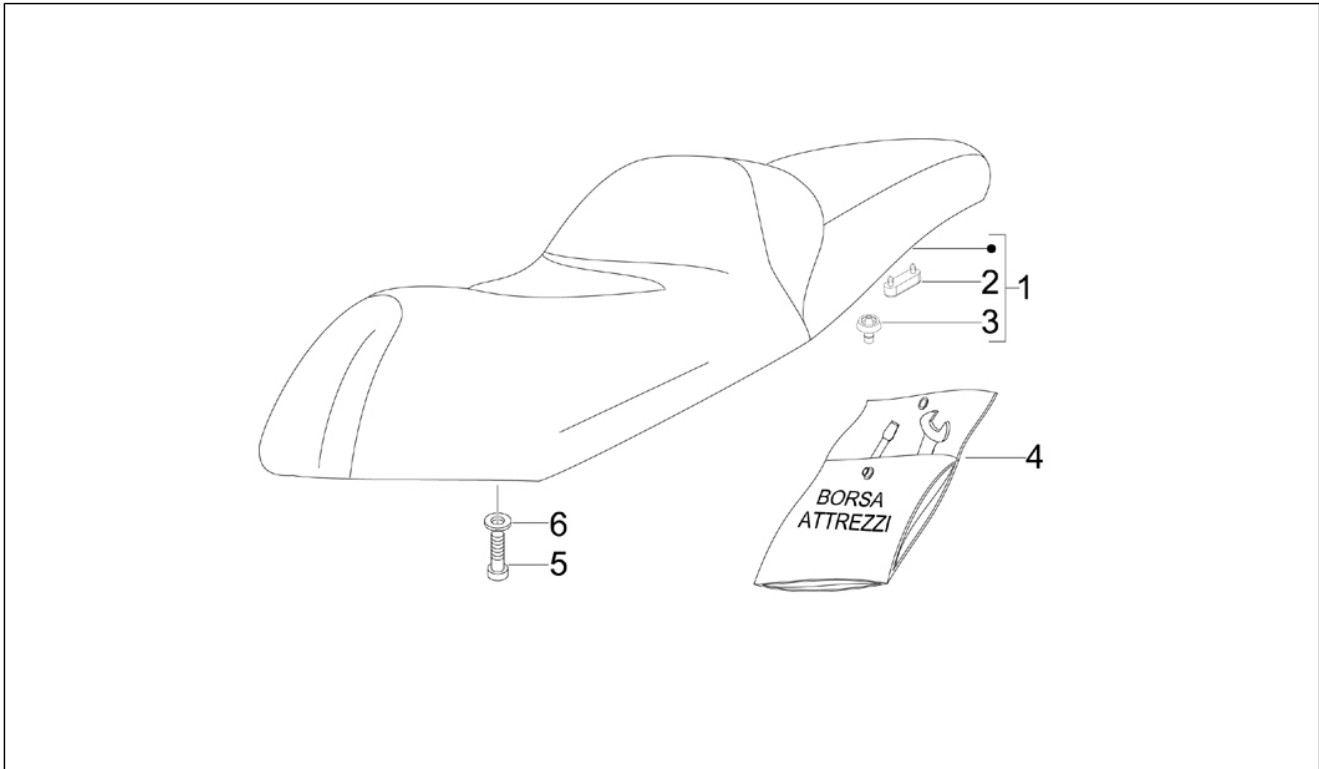
Pos.	Code	Description	Qty	Variants
1	624834	Engine splash guard	1	
2	584877	Number-plate extension	2	
3	268596	Self tapping screw D4x13	4	
4	599735	Covers	1	
5	227983	Screw d4x20	2	
6	622156	Number plate holder support	1	
7	272836	Screw M6x16	4	
8	078307	Washer	4	
9	654840	Number plate holder	1	
10	576668	screw	3	
11	288245	Self locking nut M6	3	
12	584884	Number plate holder	1	
13	018591	screw M4x14	3	
14	013763	Flat washer 4,2x12x1	3	
15	016404	Flat washer 4,2x7,6x0,9	3	
16	020104	Nut M4	3	

<b>Group</b>	Frame - Plastic parts - Coachwork
<b>Code</b>	02.38
<b>Description</b>	Plates - Emblems
<b>Service</b>	1



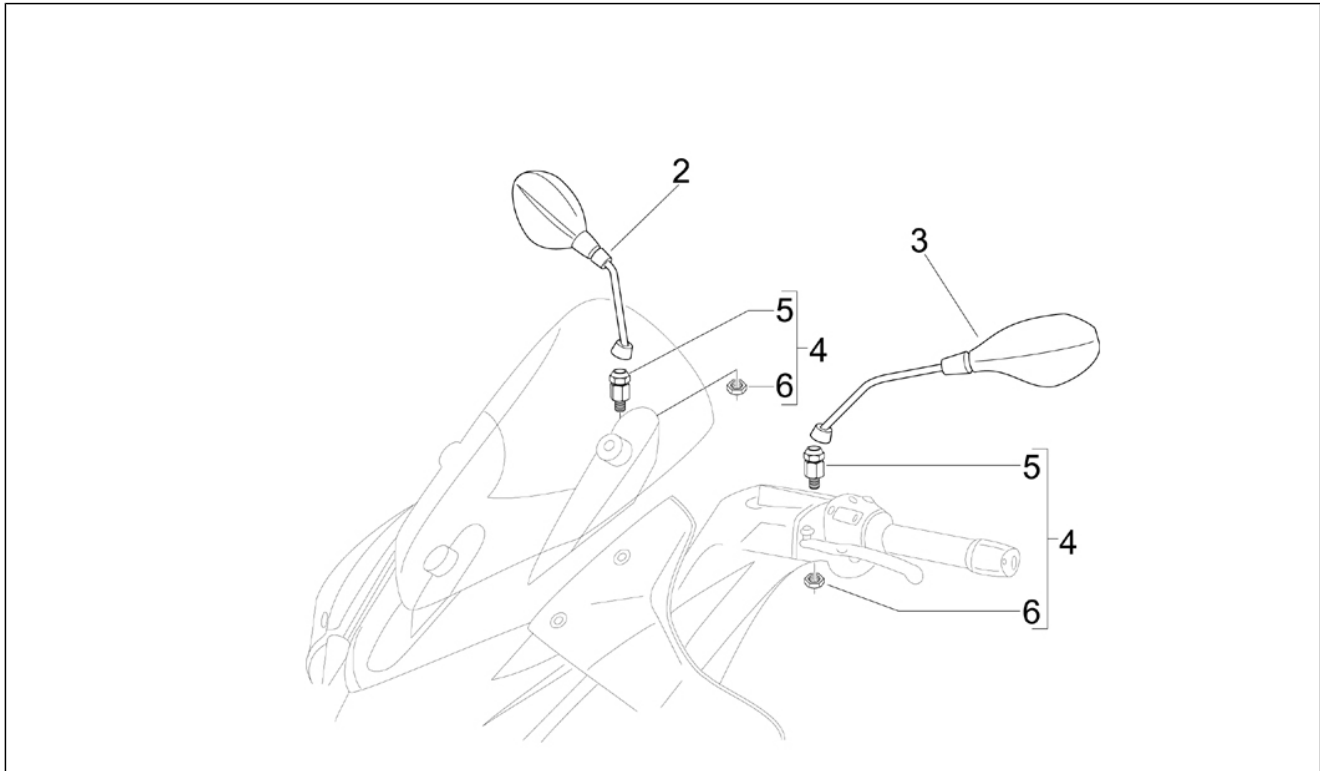
Pos.	Code	Description	Qty	Variants
1	673983	"Aprilia" dataplate	1	
2	673987	Decal set	1	Vehicle colour:Black2011[black]
3	673988	Decal set	1	Vehicle colour:White2011[white]
4	674369	Name plate "125"	1	

<b>Group</b>	Frame - Plastic parts - Coachwork
<b>Code</b>	02.39
<b>Description</b>	Saddle/seats - Tool roll
<b>Service</b>	1



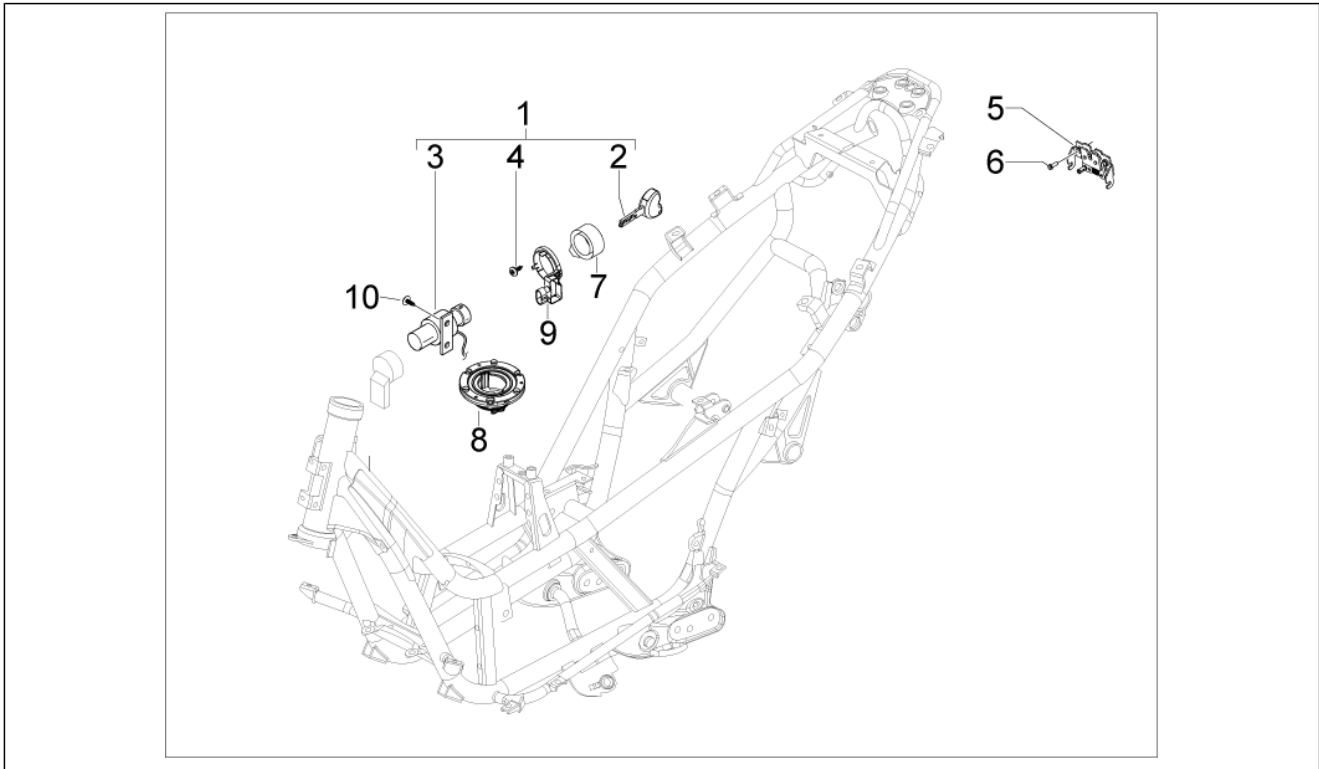
Pos.	Code	Description	Qty	Variants
1	67398600C1	Seat assy	0	Vehicle colour:Black2011[black]
1	67398600C2	Seat assy	1	Vehicle colour:White2011[white]
2	296456	Pad	2	
3	577492	Pad	4	
4	648068	Tool set, standard l/jack	1	
5	018555	screw	2	
6	709047	Spring washer	2	

<b>Group</b>	Frame - Plastic parts - Coachwork
<b>Code</b>	02.45
<b>Description</b>	Driving mirror/s
<b>Service</b>	1



Pos.	Code	Description	Qty	Variants
2	CM175006	RH rearview mirror	1	
3	CM175005	LH rearview mirror	1	
4	654171	Mirror mounting clump	2	
5	653372	Mirror support	1	
6	654149	Nut	1	

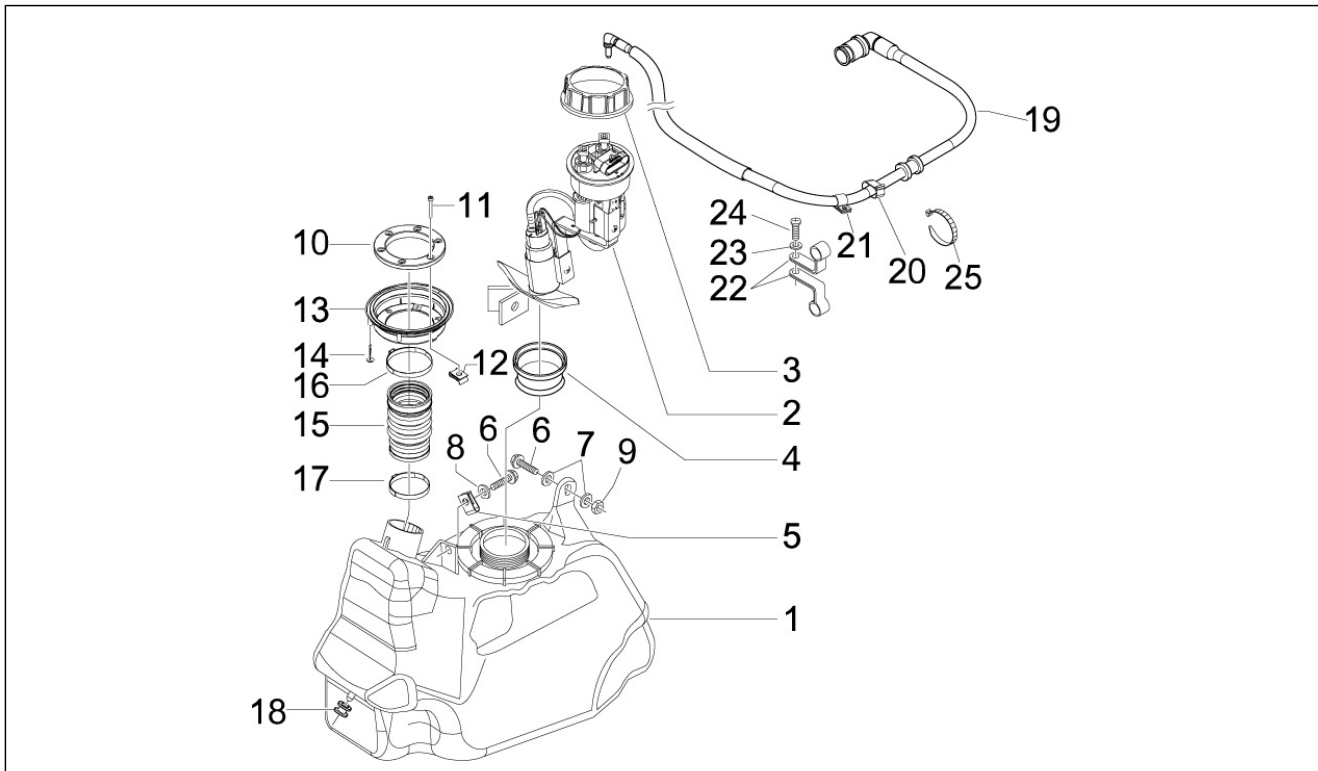
<b>Group</b>	Frame - Plastic parts - Coachwork
<b>Code</b>	02.46
<b>Description</b>	Locks
<b>Service</b>	1



Pos.	Code	Description	Qty	Variants
1	674078	Lock kit	1	
2	1B000256	Key blank drawing	1	
3	624516	AERIAL ADAPTOR	1	
4	015727	Self tapping screw 2,9x9,5	2	
5	CM023701	Saddle lock	1	
6	272836	Screw M6x16	2	
7	624517	Front cowl switch	1	
8	959465	Fuel tank filler cap	1	
9	638534	Immobilizer antenna	1	
10	709674	Hex socket screw M6x20	2	

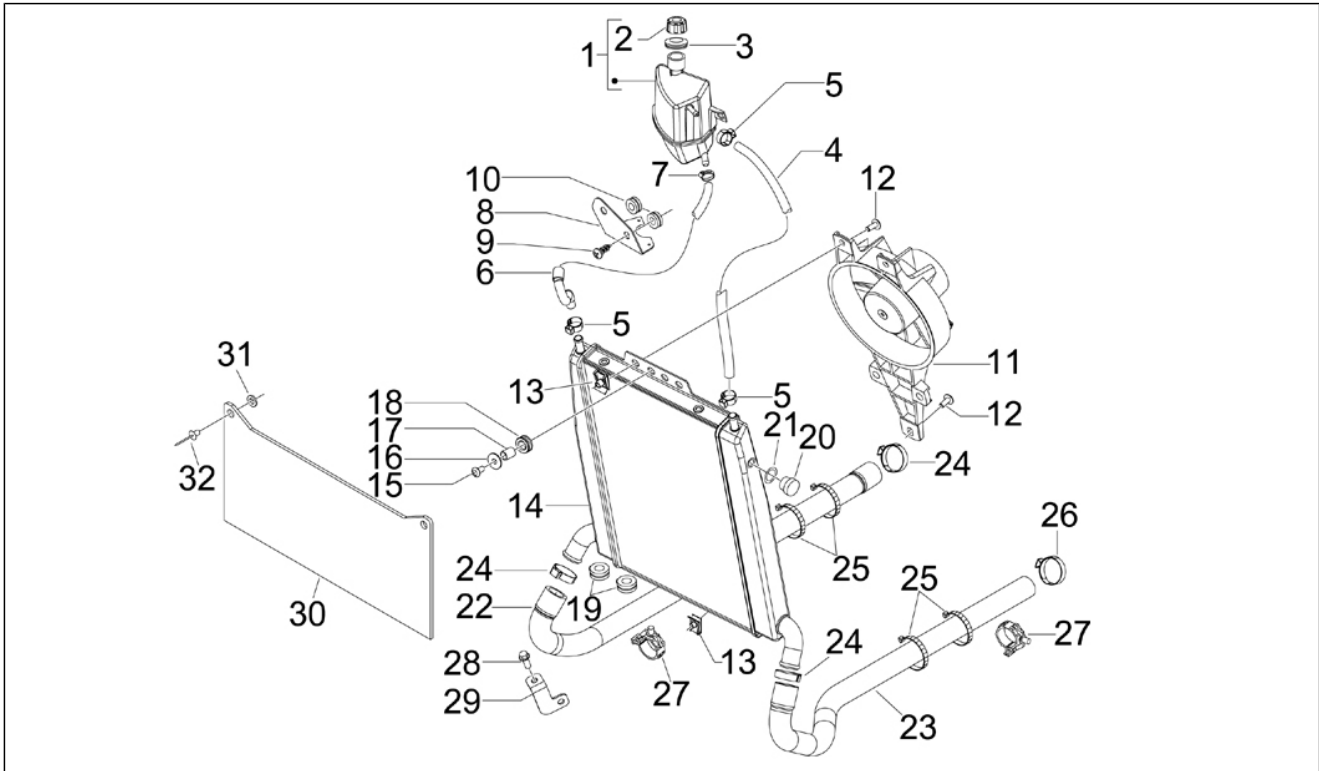


<b>Group</b>	Frame - Plastic parts - Coachwork
<b>Code</b>	02.47
<b>Description</b>	Fuel tank
<b>Service</b>	1



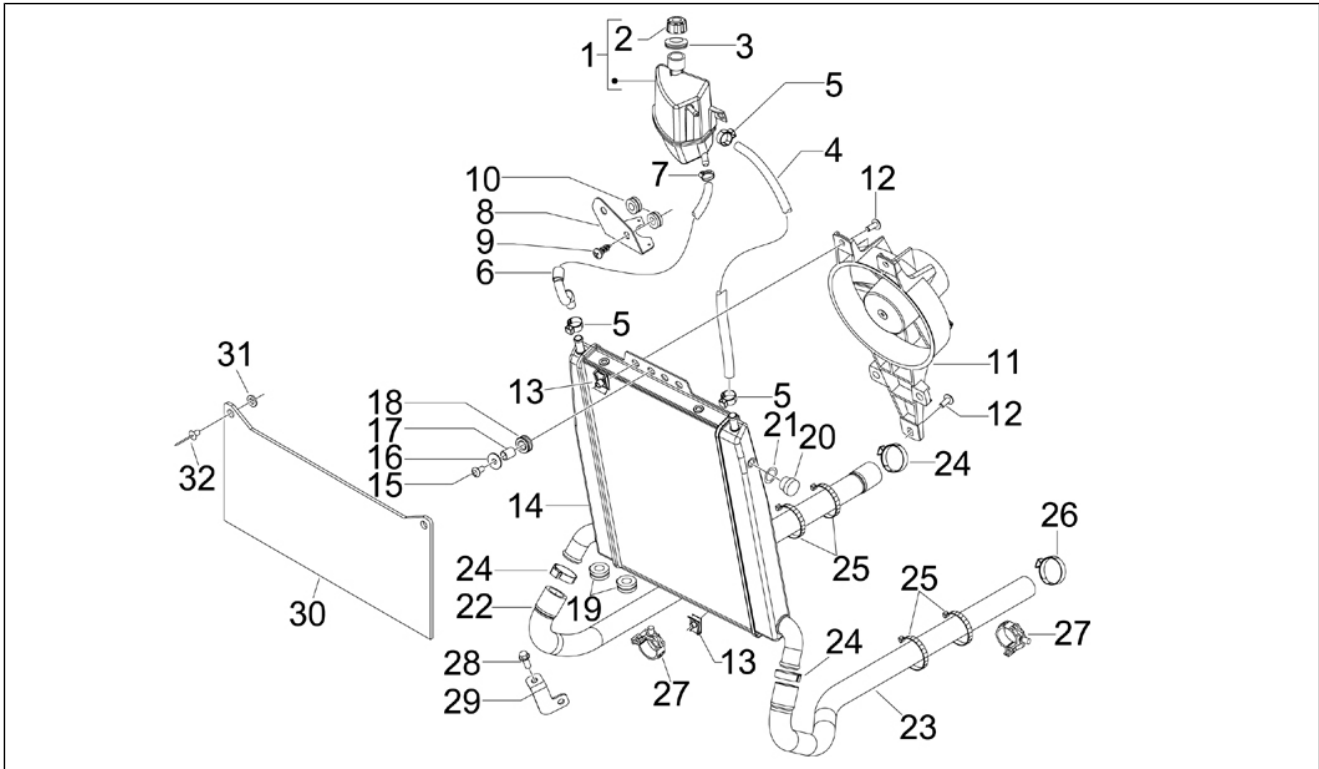
Pos.	Code	Description	Qty	Variants
1	975153	Fuel tank	1	
2	640519	Fuel pump cpl.	1	
3	576546	Ring nut	1	
4	576542	Gasket	1	
5	254485	Spring plate M6	1	
6	847645	Screw w/ flange	2	
7	268304	Flat washer 6,5x21	2	
8	078307	Washer	1	
9	195482	Self locking nut M6	1	
10	655357	Ring nut fuel filler cap	1	
11	655539	Hex socket screw M4x30	6	
12	959263	Scheibe	3	
13	655358	Fuel filler cap gasket	1	
14	828021	screw	4	
15	655537	Hose	1	
16	CM001920	Hose clamp	1	
17	CM001910	Hose clamp	1	
18	463195	Elastic drift	1	
19	655590	***COMPLETE CONNECTION PIPE	1	
20	CM006910	Molletta	1	
21	623743	Hose clamp	1	
22	273779	Hose clamp	2	
23	012528	Washer	1	
24	015935	TBCIC Screw M5x12	1	
25	257134	Lock-strap L=277	1	

<b>Group</b>	Frame - Plastic parts - Coachwork
<b>Code</b>	02.55
<b>Description</b>	Cooling system
<b>Service</b>	1



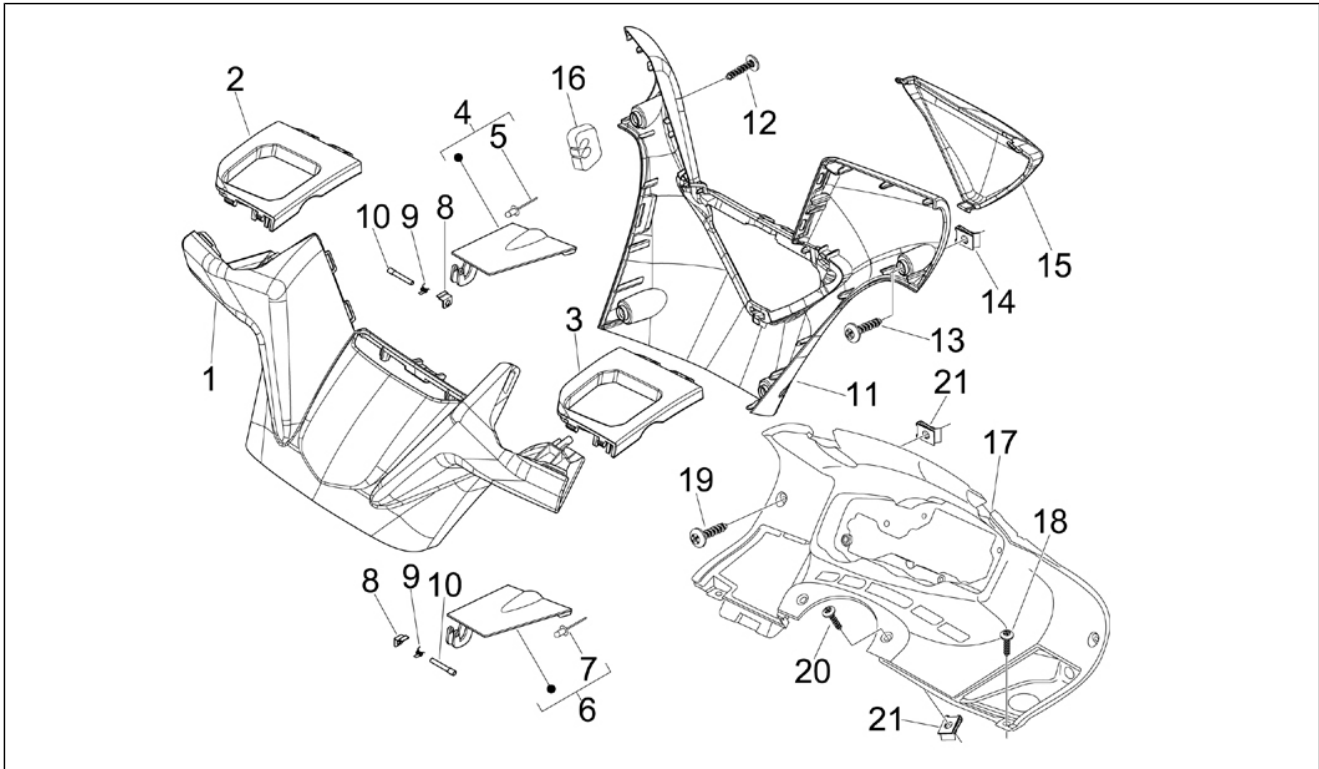
Pos.	Code	Description	Qty	Variants
1	975031	Tank	1	
2	623673	Expansion tank plug	1	
3	620737	Fuel tank gasket	1	
4	CM007007	Tank-cooler feed pipe	1	
5	CM001914	Hose clamp	3	
6	975696	Cooler-tank return pipe	1	
7	CM001921	Hose clamp	1	
8	975592	Bracket	1	
9	270793	TBCIC Screw 3,8x16	2	
10	258904	Lower rubber	2	
11	58170R	Electric fan	1	
12	CM179301	Screw M6x16	3	
13	254485	Spring plate M6	3	
14	57311R	Water cooler	1	
15	259830	Metric screw M6x20	2	
16	013092	Washer d6,2x20x1	2	
17	273288	Spacer	2	
18	351782	Upper rubber	2	
19	258904	Lower rubber	2	
20	621365	Cover	1	
21	168077	Copper gasket	1	
22	655644	***PUMP RADIATOR JOINT PIPE	1	
23	654154	***CYLINDER-HEAD RADIATOR JOINT PIPE	1	
24	CM001915	Hose clamp	3	
25	257134	Lock-strap L=277	4	
26	CM001922	Hose clamp	1	
27	CM006903	Pipes/cables retainer spring	2	
28	434541	Screw w/ flange M6x16	1	

<b>Group</b>	Frame - Plastic parts - Coachwork
<b>Code</b>	02.55
<b>Description</b>	Cooling system
<b>Service</b>	1



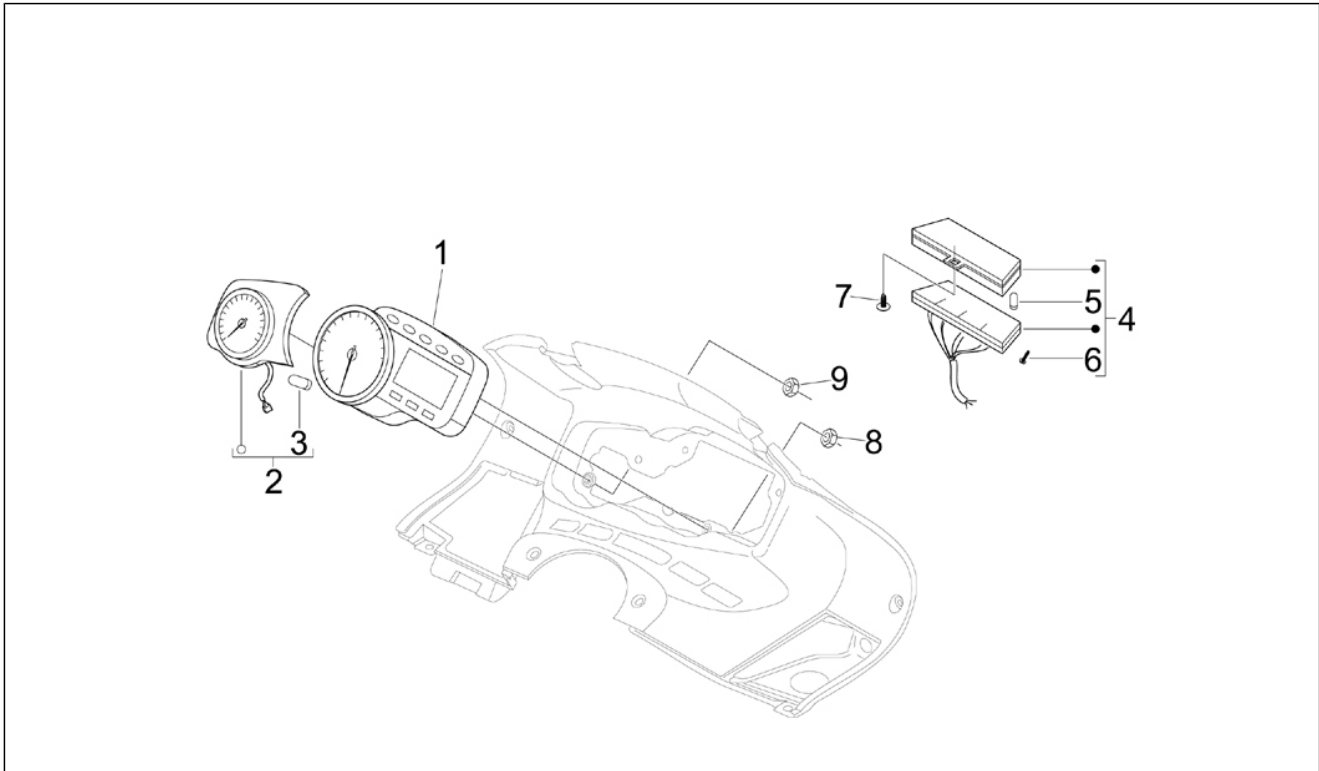
Pos.	Code	Description	Qty	Variants
29	656004	***STIRRUP WITH I.P.	1	
30	654220	***CONVEYOR	1	
31	016670	Washer 4,5x12x1	4	
32	252099	Rivet	2	

<b>Group</b>	Handlebars/Steering
<b>Code</b>	03.01
<b>Description</b>	Handlebars coverages
<b>Service</b>	1



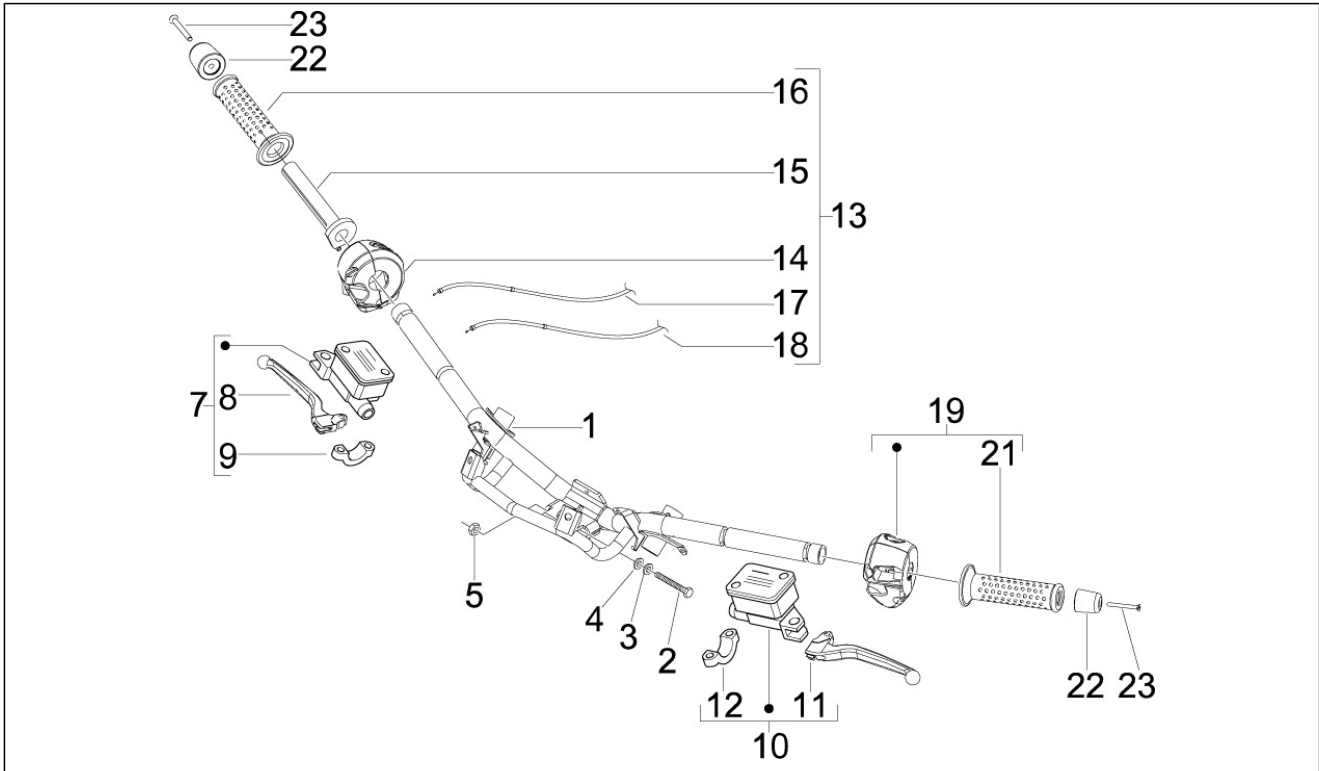
Pos.	Code	Description	Qty	Variants
1	624167000G	Handlebar front cover	1	
2	652631000G	RH pump cover	1	
3	652632000G	LH pump cover	1	
4	975859500G	Dashboard door r.h.	1	
5	182302	Rivet	1	
6	975858500G	Dashboard door l.h.	1	
7	182302	Rivet	1	
8	975832	Plate	2	
9	975685	Spring	2	
10	975686	Pin	2	
11	624168000G	Handlebar rear cover	1	
12	270793	TBCIC Screw 3,8x16	8	
13	259349	Screw M4,2x13	1	
14	CM017410	Spring plate	1	
15	975077000G	Handlebar rear cover	1	
15	9750770090	***H/BAR COVER	1	
16	975715	Grommet	1	
17	975072000G	Tyre	1	
18	267115	Self tapping screw M4x16	2	
19	259349	Screw M4,2x13	2	
20	258249	screw 4,2x19	2	
21	CM017410	Spring plate	4	

<b>Group</b>	Handlebars/Steering
<b>Code</b>	03.02
<b>Description</b>	Meter combination - Cruscotto
<b>Service</b>	1



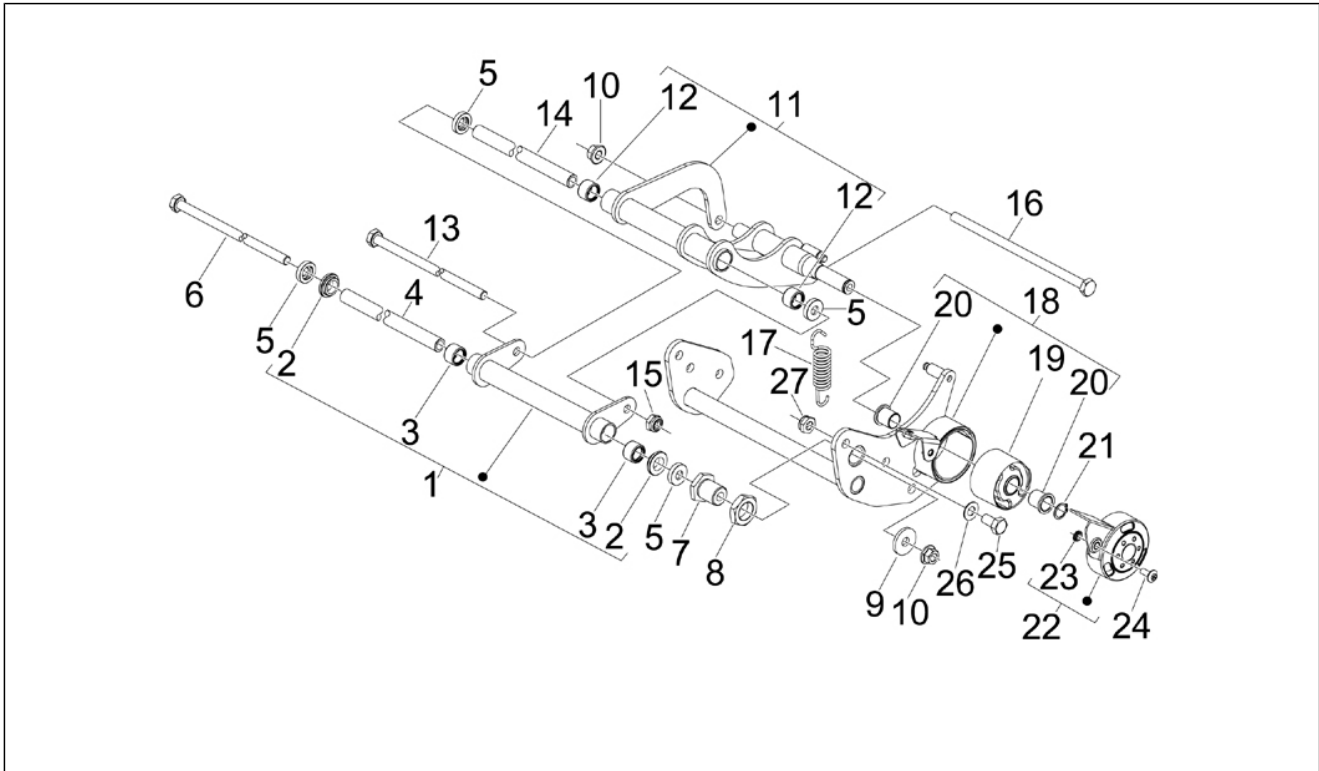
Pos.	Code	Description	Qty	Variants
1	641487	Meter combination	1	
2	642889	Analogue rpm indicator	1	
3	164634	12v-1.2w bulb	4	
4	639663	Tell tale lamps unit	1	
5	164634	12v-1.2w bulb	2	
6	297498	Self tapping screw M3,5x13	3	
7	297498	Self tapping screw M3,5x13	3	
8	241936	Self locking nut M6	3	
9	241936	Self locking nut M6	2	

<b>Group</b>	Handlebars/Steering
<b>Code</b>	03.06
<b>Description</b>	Handlebars - Master cil.
<b>Service</b>	1



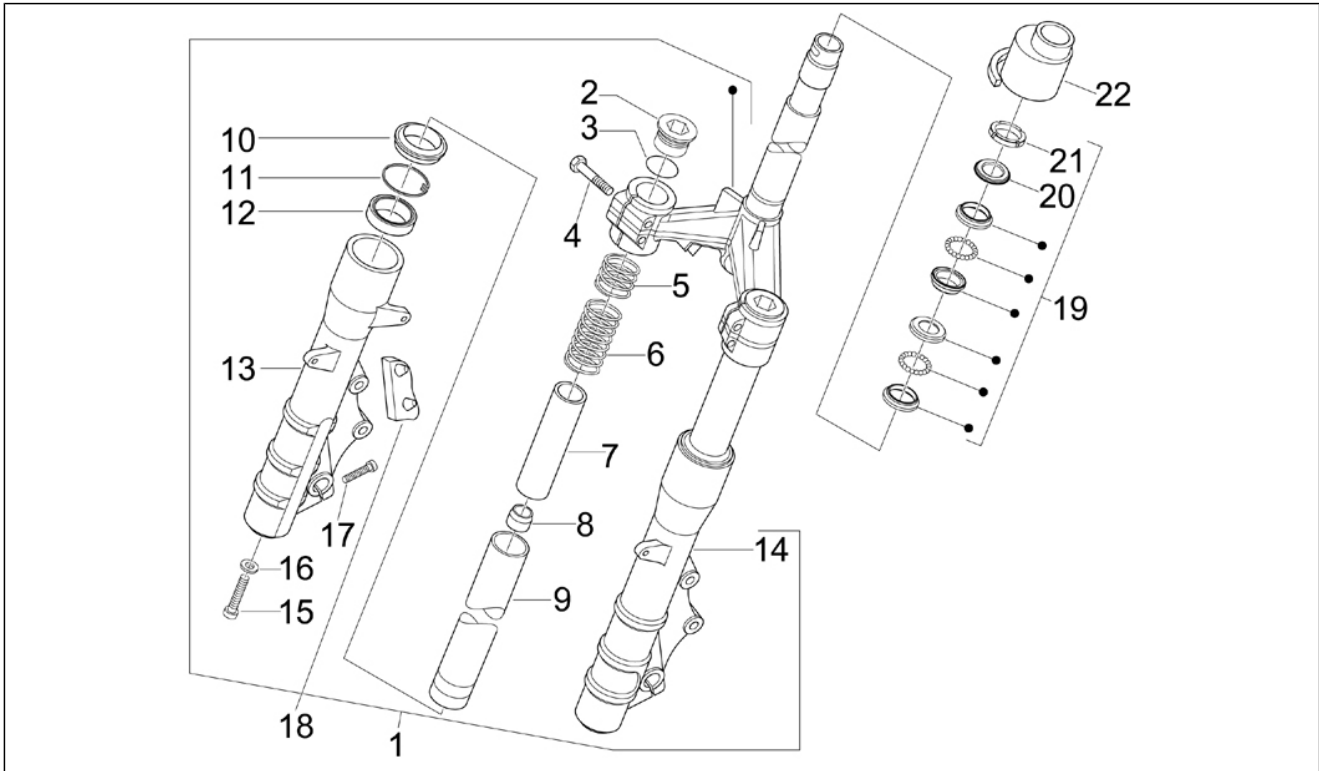
Pos.	Code	Description	Qty	Variants
1	654163	Handlebar with U.P.	1	
2	655554	Hex socket screw M10x65	1	
3	178790	Flat washer 22x10,3x2,5	1	
4	012543	Flat elastic washer with internal tothing 17x10,3x2	1	
5	015330	Nut M10	1	
7	CM081202	(Heng Tong) Right brake pump	1	
8	600475	Brake lever (Heng Tong)	1	
9	600478	U-bolt (Heng Tong)	1	
10	CM081203	(Heng Tong) Left brake pump	1	
11	600475	Brake lever (Heng Tong)	1	
12	600478	U-bolt (Heng Tong)	1	
13	667759	Throttle control sleeve assembly	1	
14	639473	Right electric device	1	
15	975633	Hose	1	
16	271453	Grip, r.h.	1	
17	649661	Transmission	1	
18	649662	Transmission	1	
19	649607	Electric control hand grip	1	
21	271452	Grip, l.h.	1	
22	582034	Anti vib.weight trailing	2	
23	271434	screw M6x55	2	

<b>Group</b>	Suspensions - Wheels
<b>Code</b>	04.01
<b>Description</b>	Swinging arm
<b>Service</b>	1



Pos.	Code	Description	Qty	Variants
1	56475R	Complete swinging arm on frame side	1	
2	597317	Bush	2	
3	597374	Roller cage	2	
4	CM067805	Spacer	1	
5	650755	Spacer	4	
6	597080	Hex socket screw	1	
7	597079	Bush	1	
8	564611	Nut m22x2 h=8	1	
9	597230	Washer	1	
10	564878	Nut	2	
11	56334R	Complete swinging arm on engine side	1	
12	597374	Roller cage	2	
13	271779	Hex socket screw M10x215	1	
14	CM067806	Spacer	1	
16	597081	screw	1	
17	651027	Spring	1	
18	650904	Stand plate	1	
19	272750	Silent-block	1	
20	273460	Bush	2	
21	006416	Circlip	1	
22	647872	Silent block cover	1	
23	830056	Knurled bushing	1	
24	272836	Screw M6x16	1	
25	597893	Hex socket screw	4	
26	709646	Washer	4	

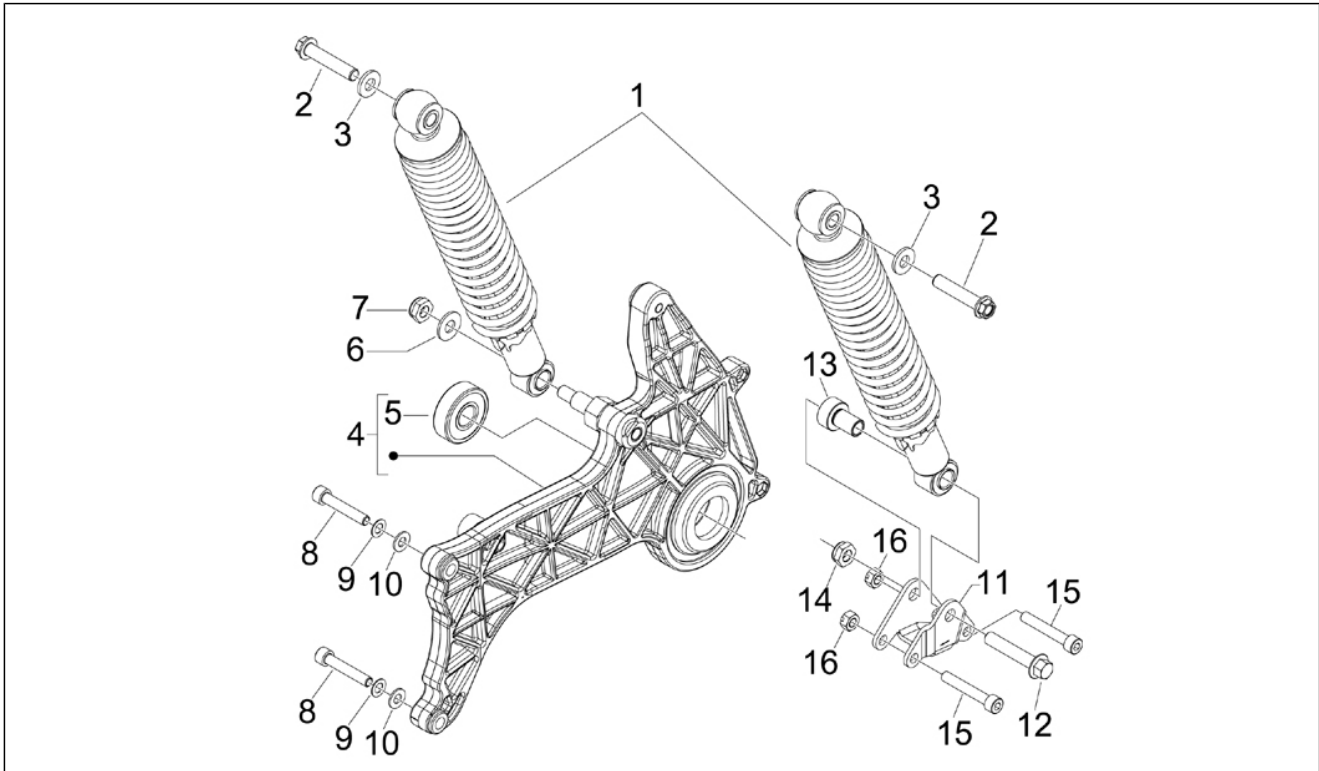
<b>Group</b>	Suspensions - Wheels
<b>Code</b>	04.02
<b>Description</b>	Fork/steering tube - Steering bearing unit
<b>Service</b>	1



Pos.	Code	Description	Qty	Variants
1	647438	Front fork assembly	1	
2	601312	Plug	2	
3	497017	O-ring	2	
4	600270	screw	4	
5	599421	Spring	2	
6	601309	Fork spring	2	
7	601308	Fork cylinder	2	
8	497011	Oil plug	2	
9	601307	Fork stanchion KAIABA	2	
10	497131	Dust cover	2	
11	497132	Gasket ring	2	
12	601310	Fork oil seal ABS	2	
13	497006	RH sleeve	1	
14	497005	LH sleeve	1	
15	599269	screw (KAYABA)	2	
16	599270	Washer (KAYABA)	2	
17	599262	screw (KAYABA)	2	
18	599931	Cover	1	
19	600921	Steering bearing assy.	1	
20	582787	Steering security plate	1	
21	011109	Steering tube ring nut	1	
22	975683	Collar	1	

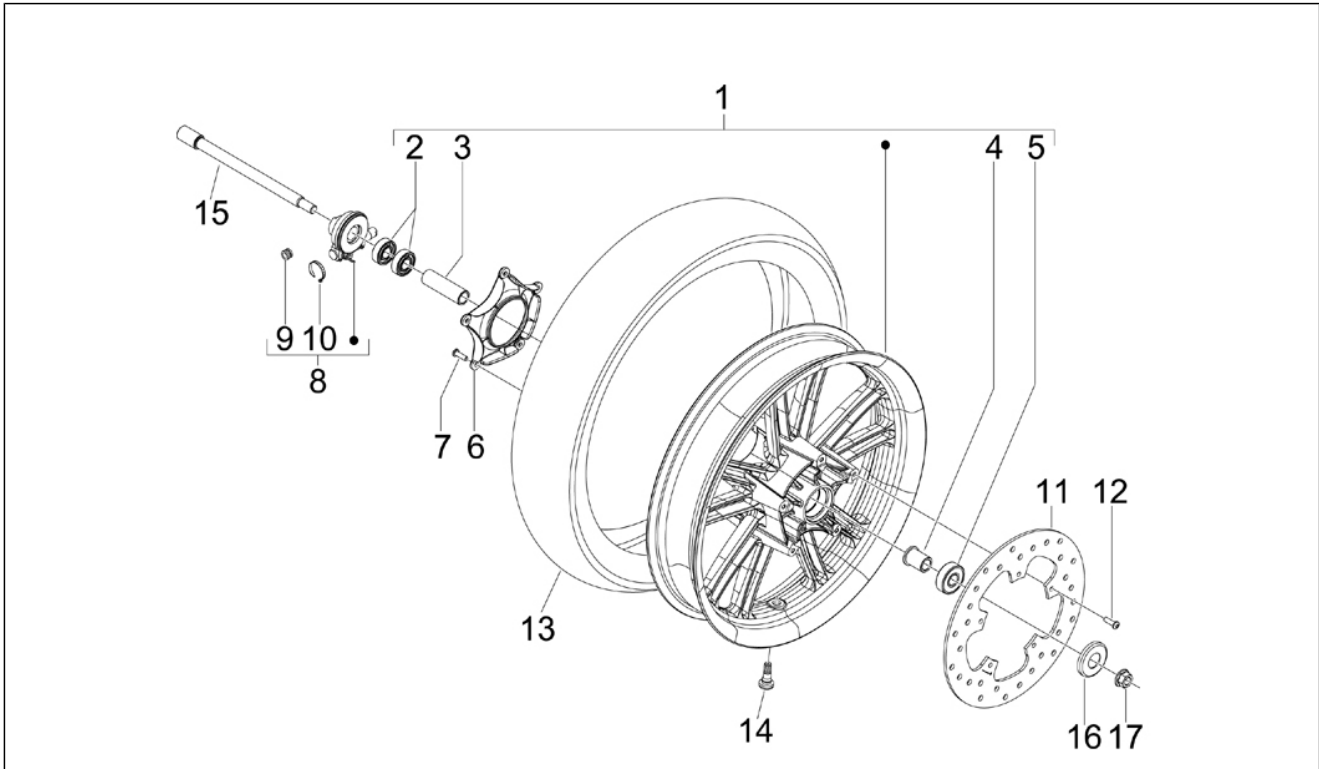


<b>Group</b>	Suspensions - Wheels
<b>Code</b>	04.10
<b>Description</b>	Rear suspension - Shock absorber/s
<b>Service</b>	1



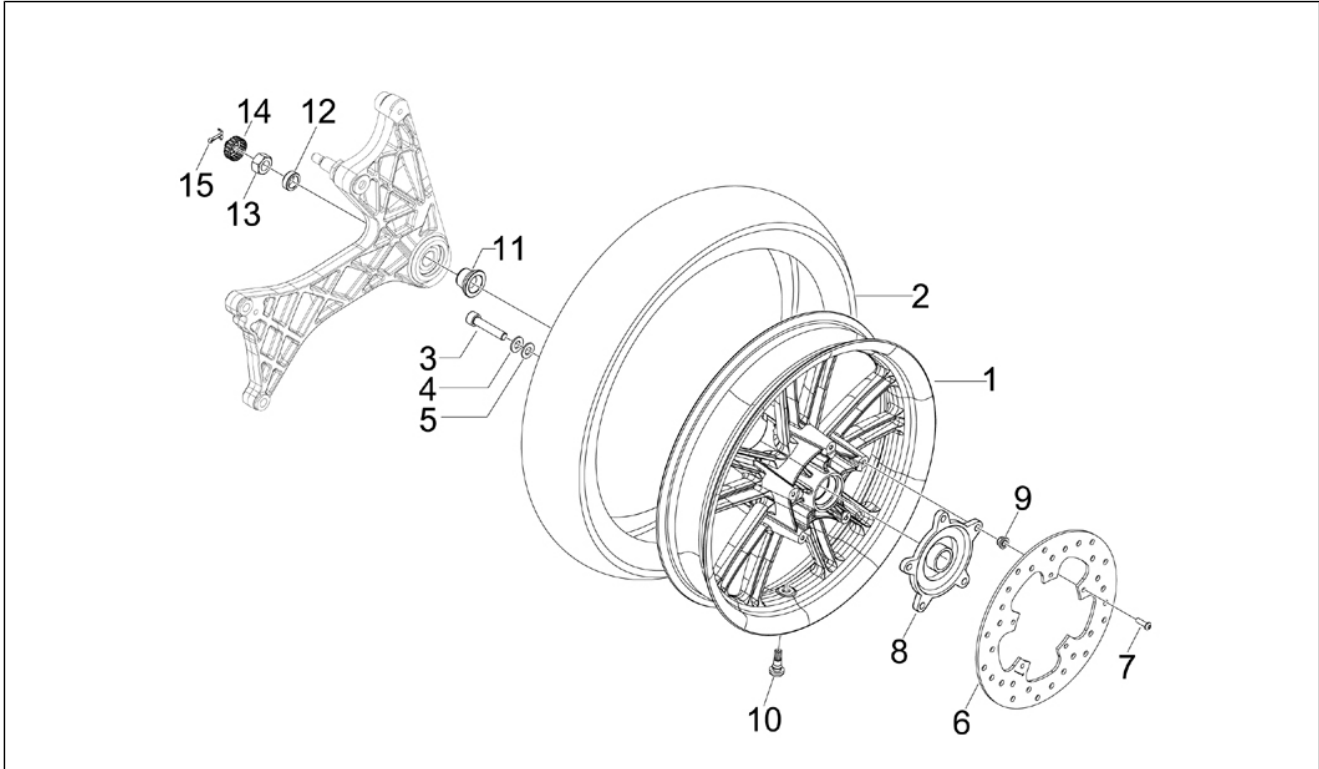
Pos.	Code	Description	Qty	Variants
1	647524	Rear shock absorber cpl.	2	
2	178790	Flat washer 22x10,3x2,5	2	
3	598838	Screw w/ flange	2	
4	849125	Braccio sospensione DX completo	1	
5	82545R	Ball bearing	1	
6	016627	Washer	1	
8	826298	Hex socket screw	2	
9	709047	Spring washer	2	
10	013776	Washer	2	
11	647610	Rear Shock absorber fixing bracket	1	
12	268158	Screw w/ flange M10	1	
13	647621	Bushing	1	
14	020008	Nut M8	2	
15	844483	Hex socket screw M8x50	2	

<b>Group</b>	Suspensions - Wheels
<b>Code</b>	04.11
<b>Description</b>	Front wheel
<b>Service</b>	1



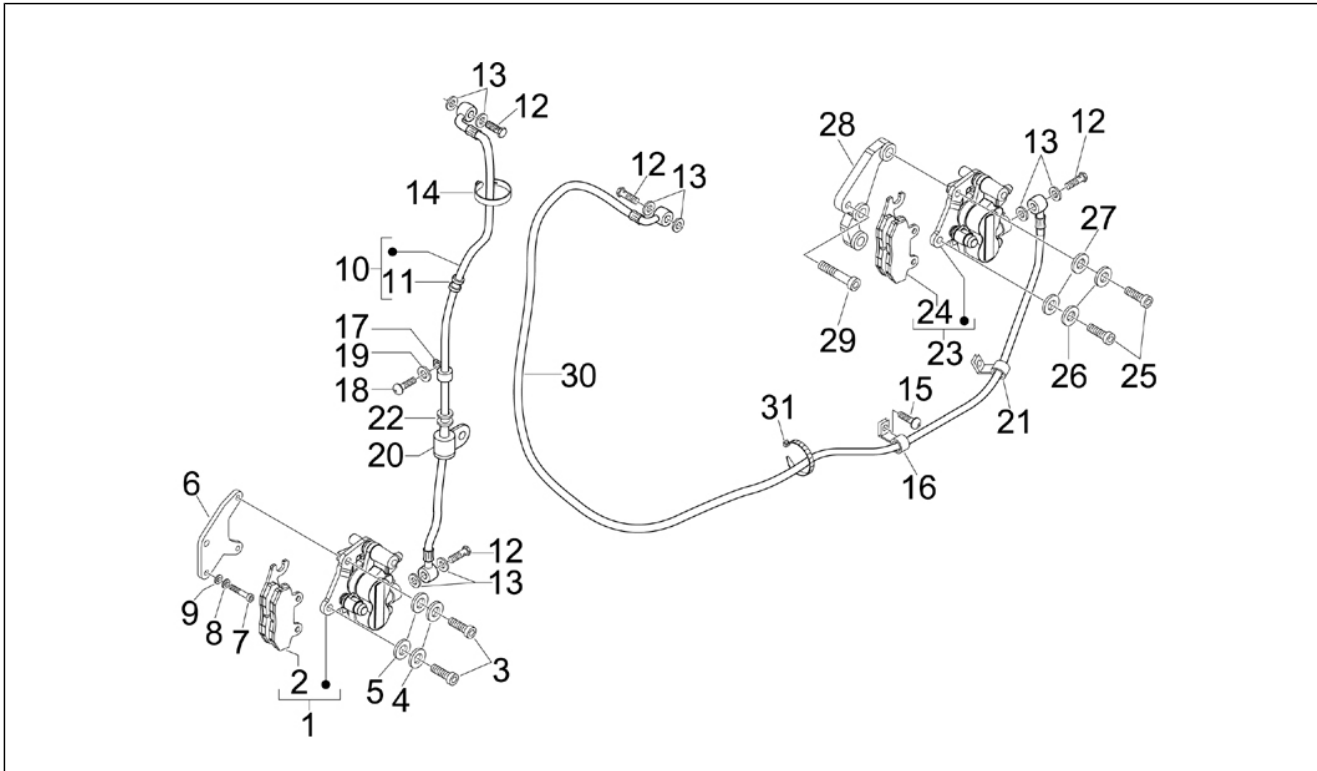
Pos.	Code	Description	Qty	Variants
1	56450R	Front wheel complete	1	
2	327187	Bearing	2	
3	564447	Spacer	1	
4	564448	Short spacer	1	
4	601870	Complete spacer	1	
5	564491	Bearing	1	
6	647885	Front wheel hub cover	1	
7	582469	screw	5	
8	56436R	Speedometer encoder	1	
10	145298	Lock-strap L=180mm	2	
11	56393R	Brake disc	1	
12	271147	Hex socket screw M6x20	5	
13	650253	(Pirelli) Front tyre 120/70-15"	1	
13	650254	(Michelin) Front tyre 120/70-15"	1	
13	650598	(Maxxis) Front tyre 120/70-15"	1	
14	597679	Tubeless valve	1	
15	564446	Front wheel axle	1	
16	564489	RH spacer	1	
17	271740	Nut M12	1	

<b>Group</b>	Suspensions - Wheels
<b>Code</b>	04.12
<b>Description</b>	Rear wheel
<b>Service</b>	1



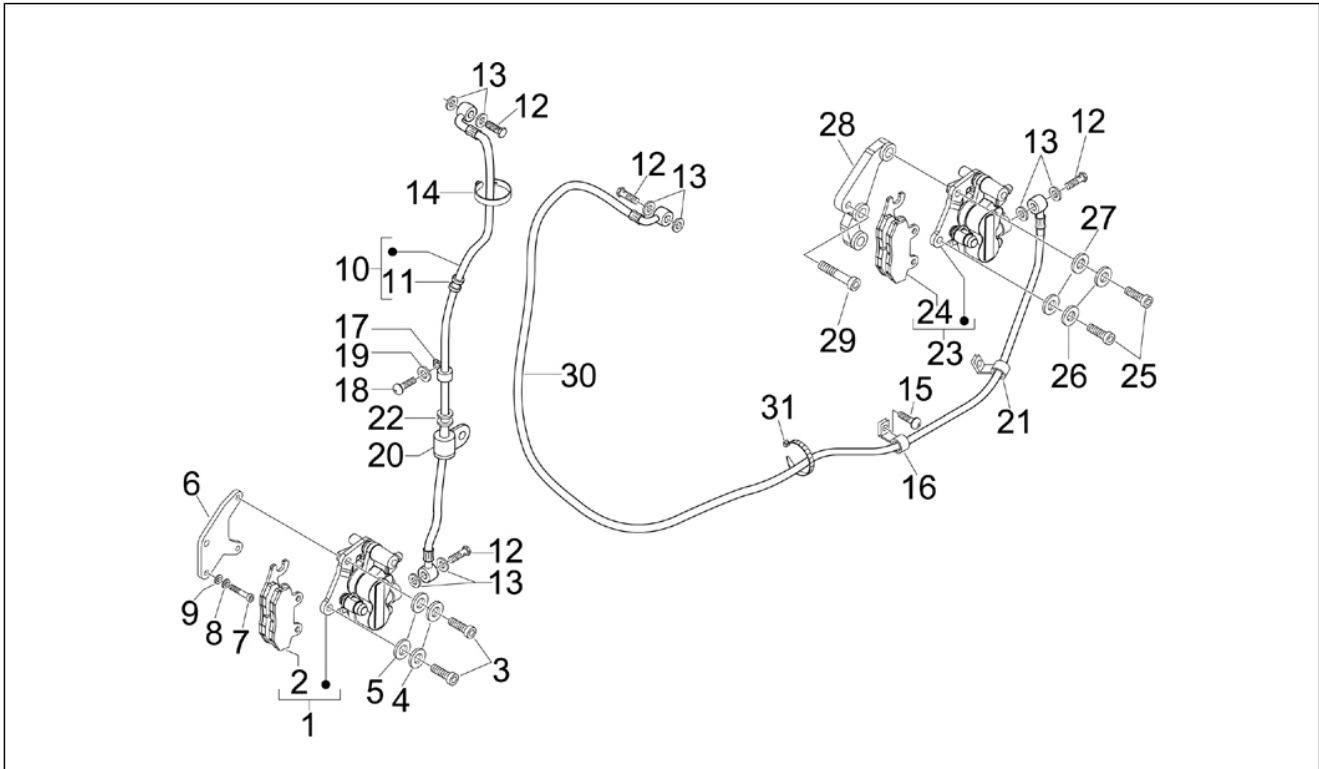
Pos.	Code	Description	Qty	Variants
1	56458R	Rear wheel	1	
2	564974	Tyre 140/60-14" Michelin	1	
2	601874	Rear tyre 140/60-14" Pirelli	1	
2	650599	Rear tyre 140/60-14" Maxxis	1	
3	246976	Washer	5	
4	709047	Spring washer	5	
5	825758	screw M8x40	5	
6	649163	Brake disc	1	
7	274370	Bolt	5	
8	647789	Rear wheel hub	1	
9	597565	Self locking nut	5	
10	597679	Tubeless valve	1	
11	848039	Wheel spacer	1	
12	597528	Spacer	1	
13	563728	Nut M16x13	1	
14	194423	Nut hold cap	1	
15	012789	Split pin	1	

<b>Group</b>	Braking system - Transmissions
<b>Code</b>	05.01
<b>Description</b>	Brakes pipes - Calipers
<b>Service</b>	1



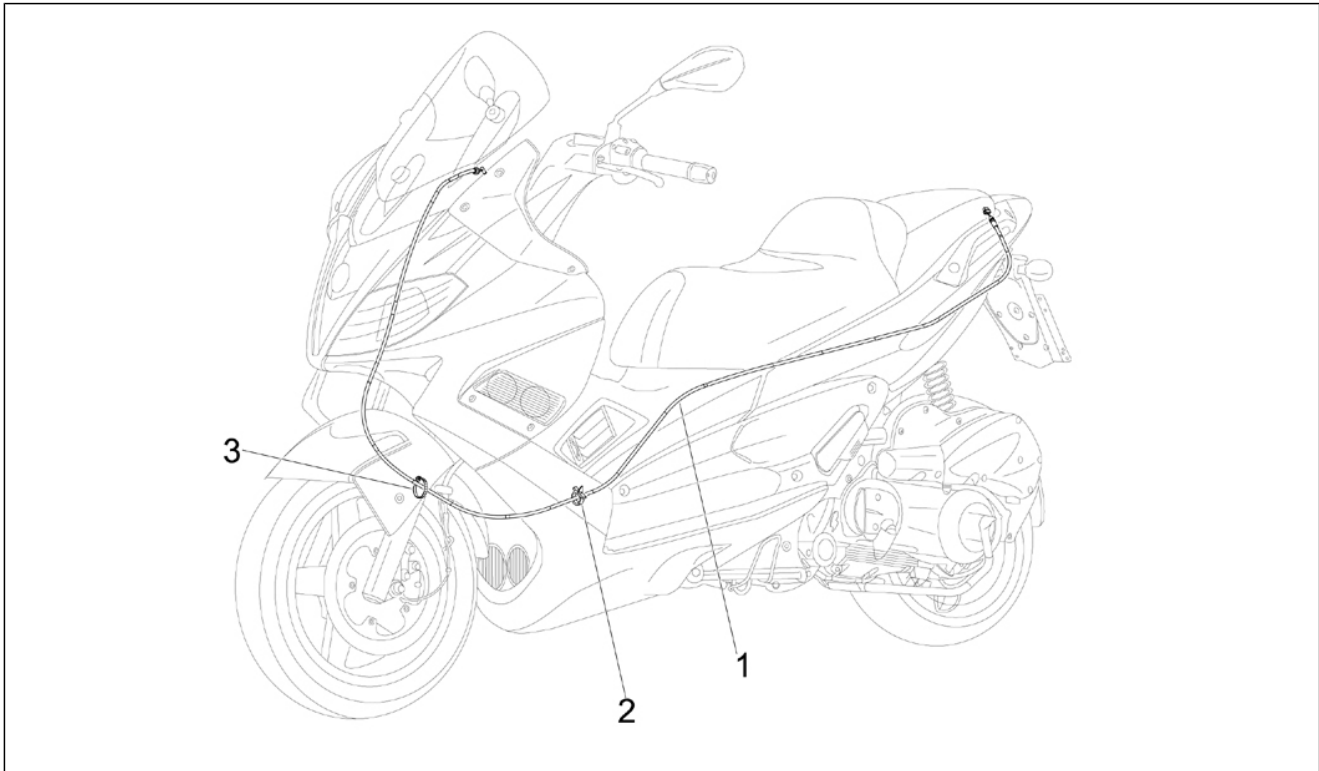
Pos.	Code	Description	Qty	Variants
1	CM068301	Brake caliper (Heng Tong)	1	
2	647078	Brake pads torque (Heng Tong)	1	
3	319165	screw	2	
4	709047	Spring washer	2	
5	016604	Washer	2	
6	649553	Brake caliper support plate	1	
7	649554	screw	2	
8	709646	Washer	2	
9	709110	Washer	2	
10	975693	BREAK PIPES	1	
11	274350	Fairlead	1	
12	265451	Oil pipe screw M10x18	4	
13	127927	Gasket	8	
14	307166	Hose clamp	1	
15	AP8152277	Screw w/ flange M6x12	1	
16	229343	Hose clamp	1	
17	269273	Hose clamp	1	
18	122675	Hex socket screw	1	
19	006966	Spring washer 6,4x11x0,5	1	
20	230636	Fairlead	1	
21	564761	Hose clamp	2	
22	564836	Hose clamp	1	
23	CM068304	Rear brake caliper	1	
24	647078	Brake pads torque (Heng Tong)	1	
25	598921	screw	2	
26	709047	Spring washer	2	
27	828961	Flat washer 8,2x17x2,5	2	
28	649162	***CALIPER SUPPORT PLATE	1	

<b>Group</b>	Braking system - Transmissions
<b>Code</b>	05.01
<b>Description</b>	Brakes pipes - Calipers
<b>Service</b>	1



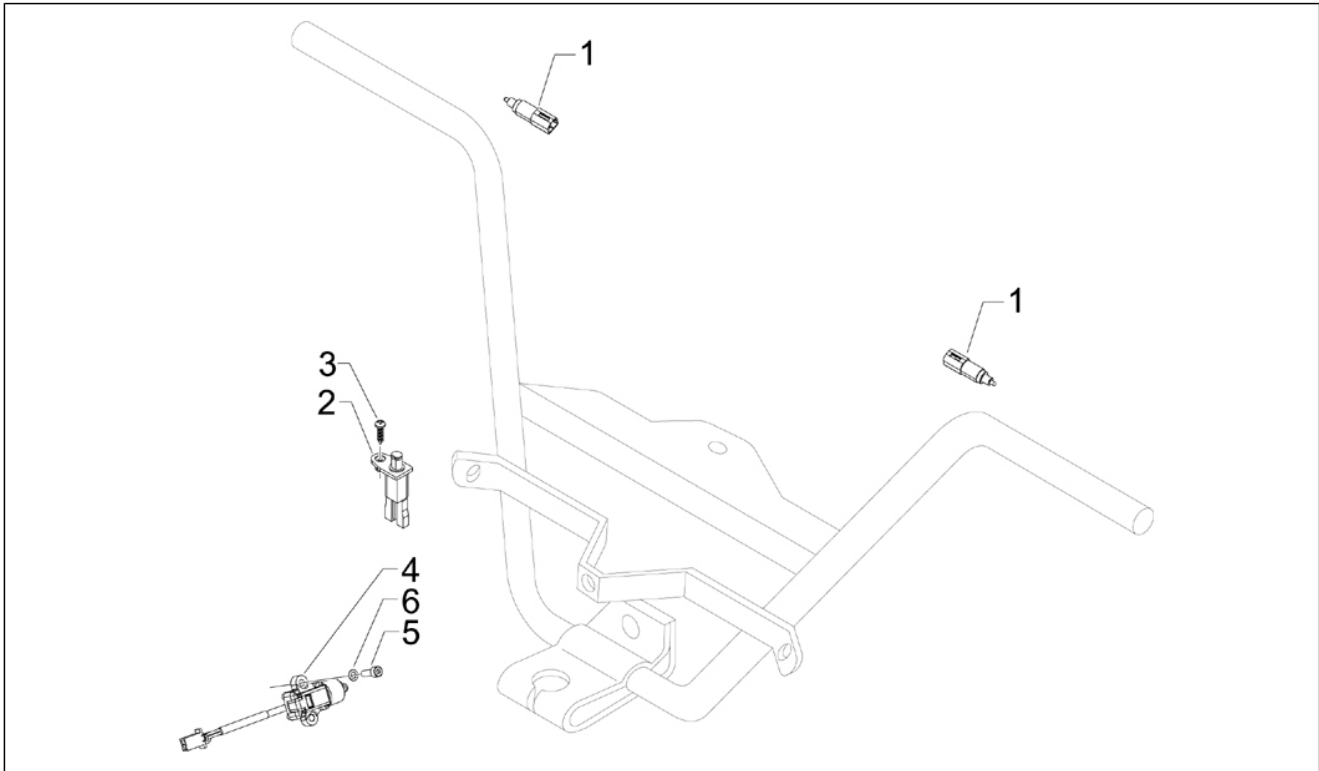
Pos.	Code	Description	Qty	Variants
29	647799	screw	2	
30	647695	***REAR BRAKE PIPE	1	
31	257134	Lock-strap L=277	5	

<b>Group</b>	Braking system - Transmissions
<b>Code</b>	05.03
<b>Description</b>	Transmissions
<b>Service</b>	1



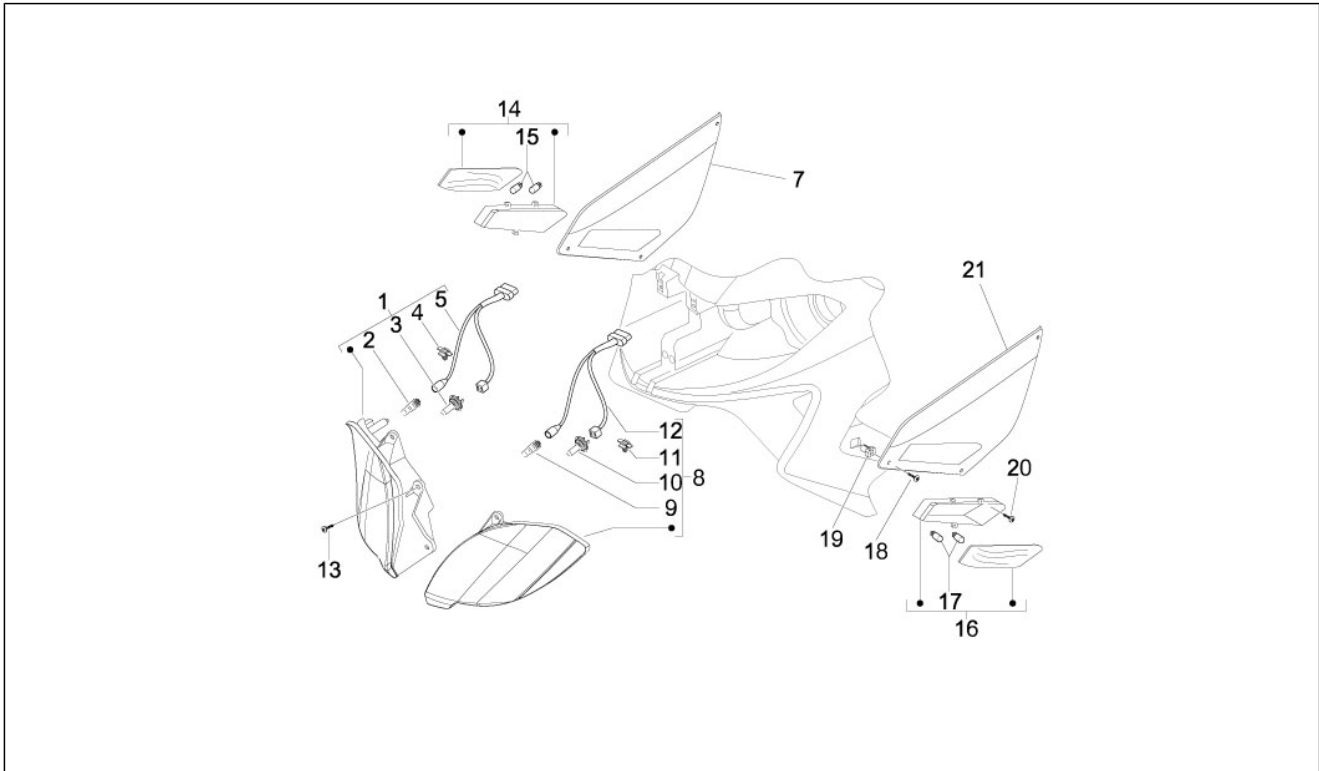
Pos.	Code	Description	Qty	Variants
1	CM012827	Saddle closing transmission	1	
2	140435	Spring	1	
3	257134	Lock-strap L=277	4	

<b>Group</b>	Electrical system
<b>Code</b>	06.01
<b>Description</b>	Selectors - Switches - Buttons
<b>Service</b>	1



Pos.	Code	Description	Qty	Variants
1	AP8127305	stop Button	2	
2	584826	Button	1	
3	015911	Self tapping screw 4,2x16	1	
4	639542	Button for side stand	1	
5	292889	Hex socket screw M5x16	2	
6	012532	Washer 5,3x10x0	2	

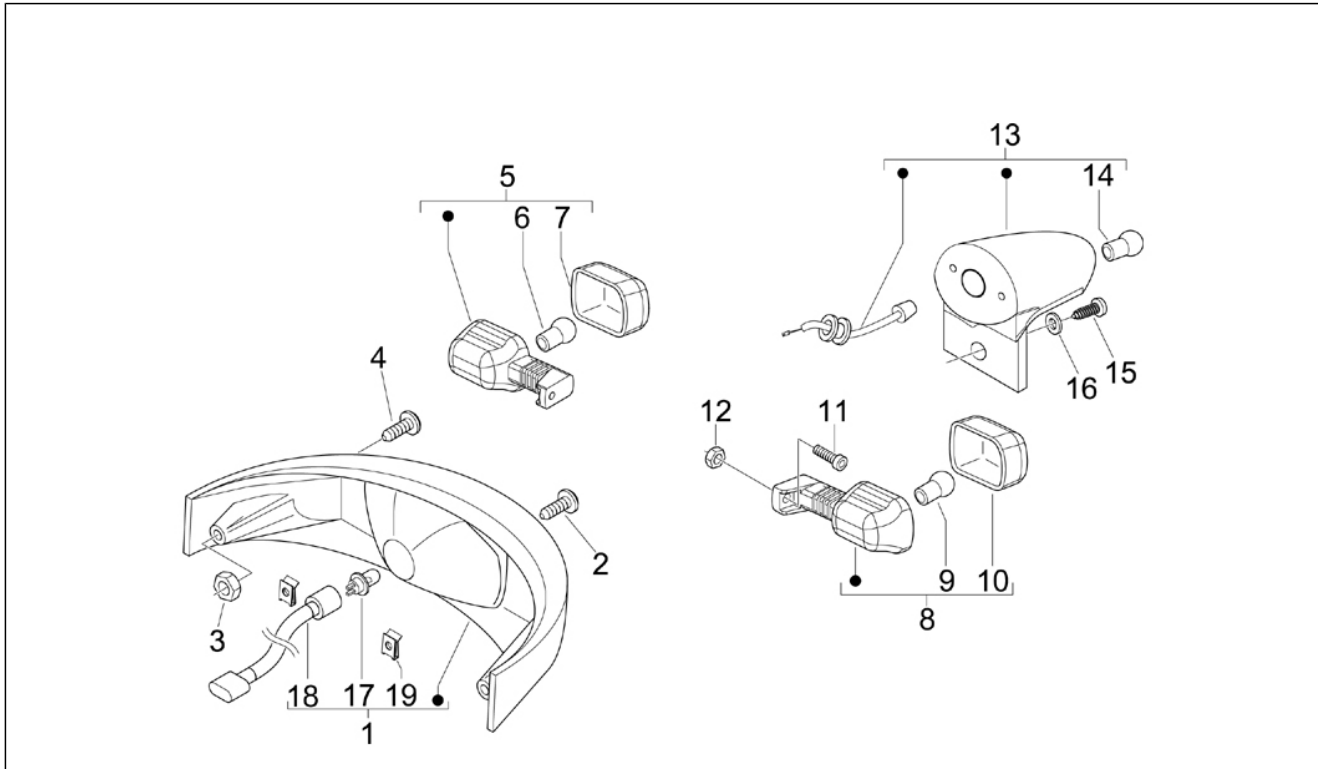
<b>Group</b>	Electrical system
<b>Code</b>	06.03
<b>Description</b>	Front headlamps - Turn signal lamps
<b>Service</b>	1



Pos.	Code	Description	Qty	Variants
1	584486	Headlamp	1	
1	638696	Headlamp	1	
2	292022	Lamp 12V-5W	1	
3	294353	Lamp H7 55W 12V	1	
4	584002	Maintenance	1	
5	584906	Cable harn.	1	
5	638698	Right cable harness	1	
7	624377000G	RH support	1	
8	584747	Headlamp	1	
8	638697	Headlamp	1	
9	292022	Lamp 12V-5W	1	
10	294353	Lamp H7 55W 12V	1	
11	584002	Maintenance	1	
12	584907	Cable harn.	1	
12	638699	Left cable harness	1	
13	272836	Screw M6x16	6	
14	639477	RH front turn indicator	1	
15	581904	Lamp	2	
16	639478	LH front turn indicator	1	
17	581904	Lamp	2	
18	267958	Self tapping screw L=20 mm	6	
19	199190	Expansion plug	6	
20	297498	Self tapping screw M3,5x13	6	
21	624376000G	LH support	1	

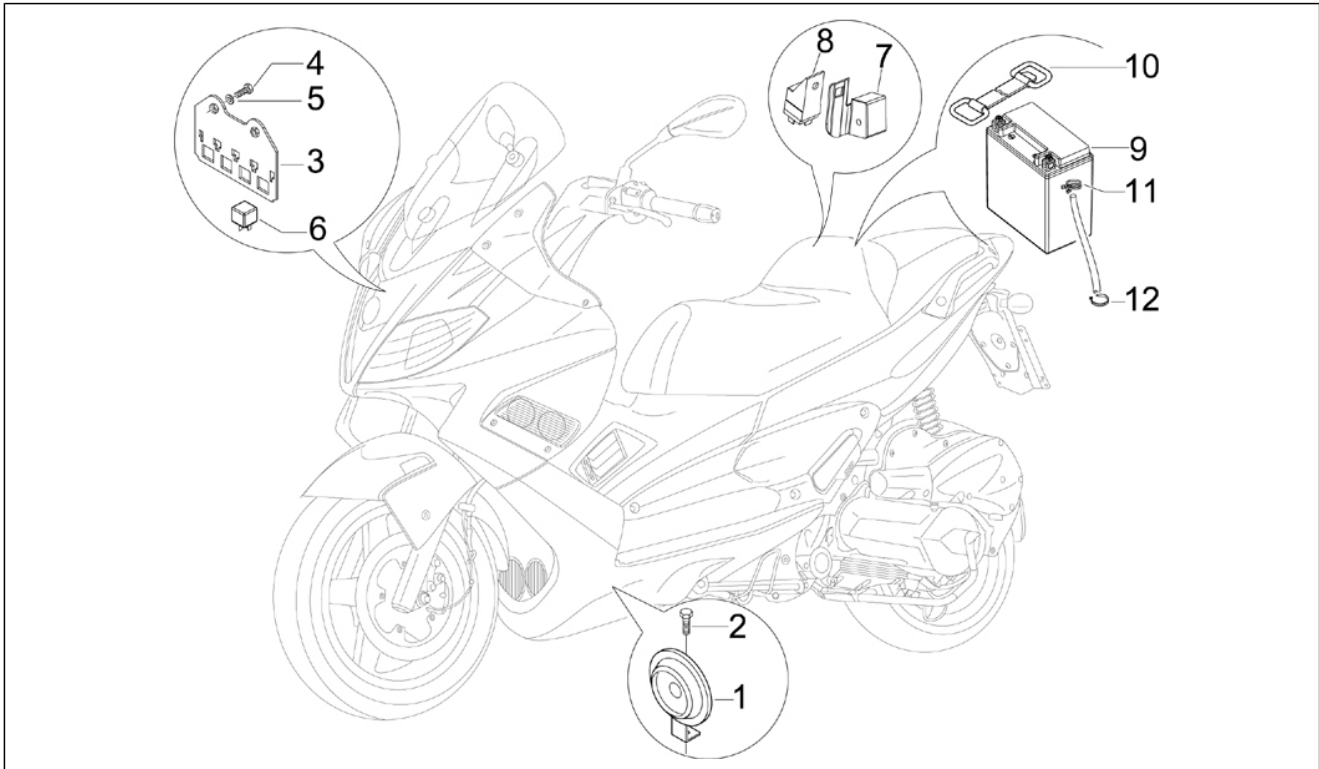


<b>Group</b>	Electrical system
<b>Code</b>	06.04
<b>Description</b>	Rear headlamps - Turn signal lamps
<b>Service</b>	1



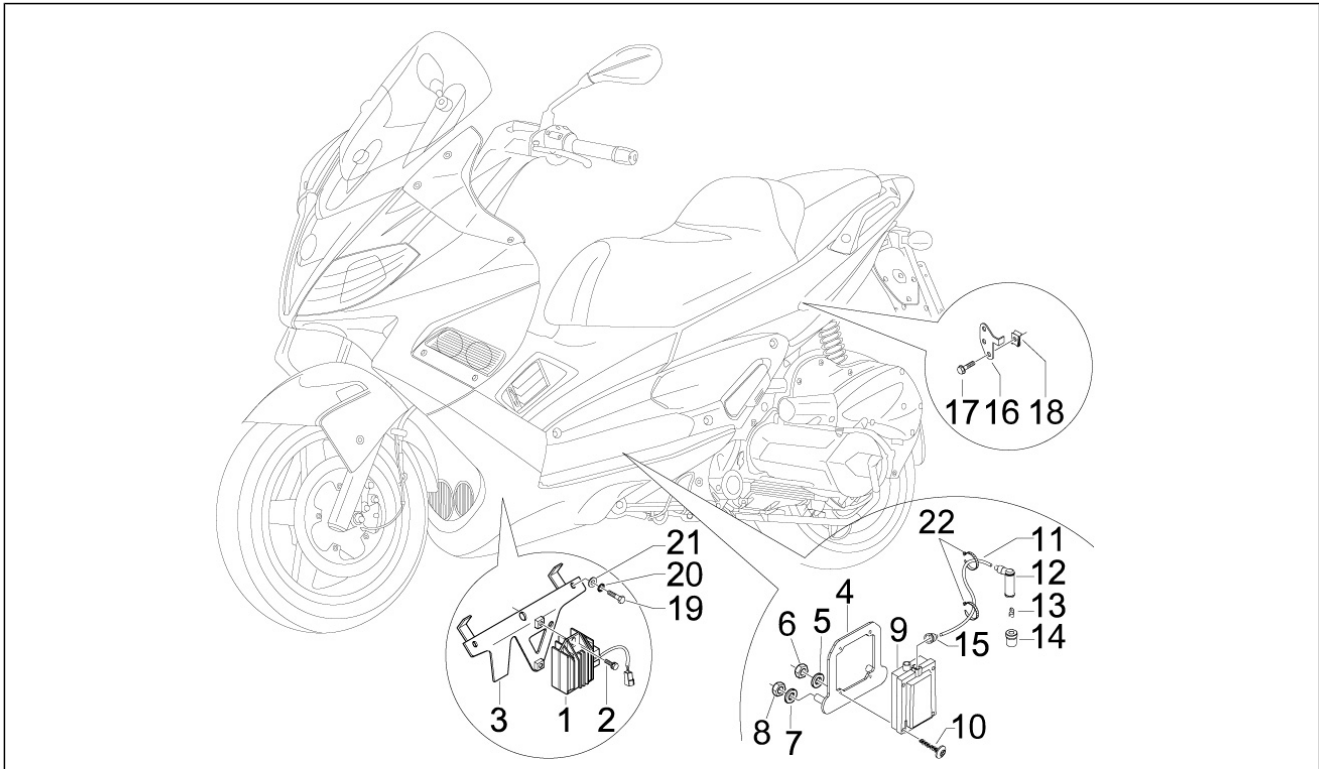
Pos.	Code	Description	Qty	Variants
1	641507	Taillight	1	
2	018623	Self-tapping screw	1	
3	241936	Self locking nut M6	2	
4	258249	screw 4,2x19	2	
5	639670	LH front/RH rear turn indic.	1	
6	584332	Lamp 12V-10W	1	
7	639338	glass	1	
8	639669	RH front/LH rear turn indic.	1	
9	584332	Lamp 12V-10W	1	
10	639338	glass	1	
11	296170	screw M6x14	2	
12	241936	Self locking nut M6	2	
13	583332	Rear licence plate light	1	
14	292022	Lamp 12V-5W	1	
15	267115	Self tapping screw M4x16	1	
16	003054	Washer 4,3x8x0,5	1	
17	581392	Lamp	1	
18	584902	Cable harn.	1	
19	CM017410	Spring plate	2	

<b>Group</b>	Electrical system
<b>Code</b>	06.05
<b>Description</b>	Remote control switches - Battery - Horn
<b>Service</b>	1



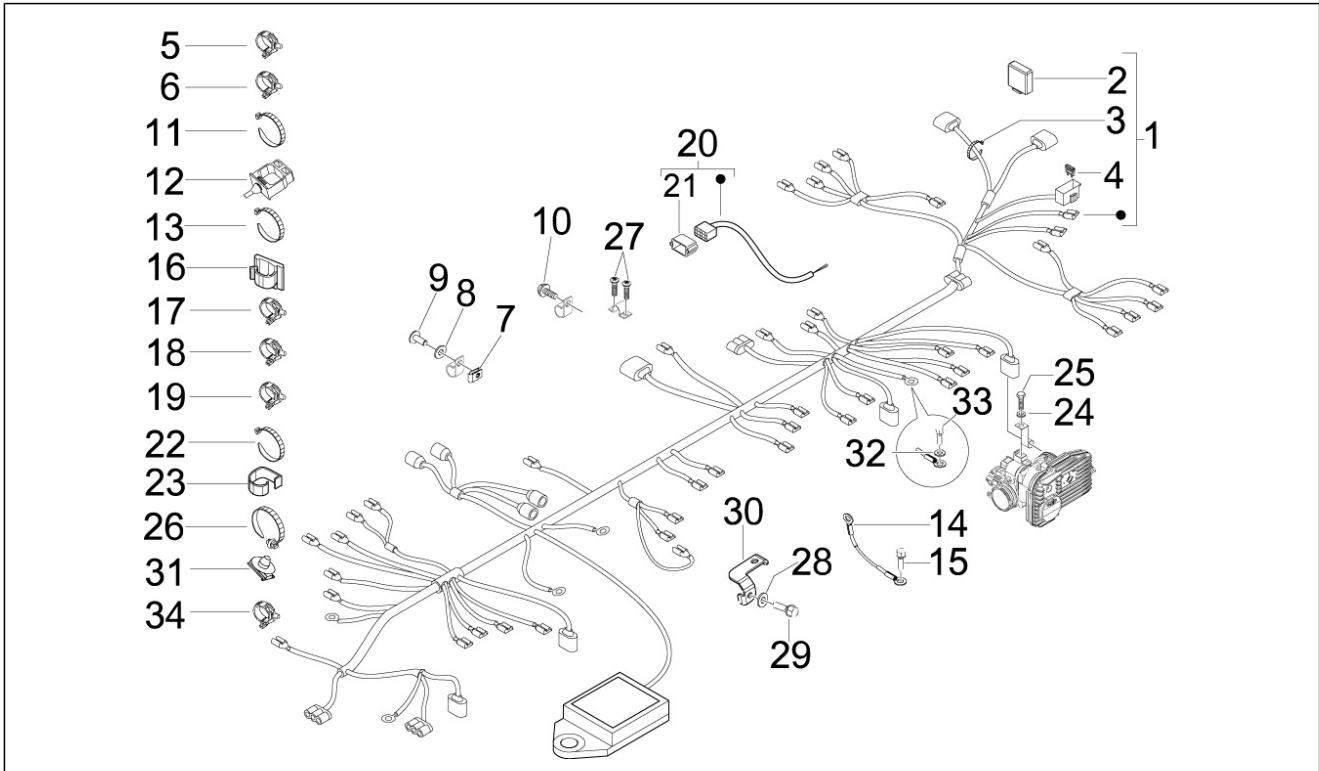
Pos.	Code	Description	Qty	Variants
1	CM071801	Horn	1	
2	434541	Screw w/ flange M6x16	1	
3	975749	Bracket	1	
4	272836	Screw M6x16	2	
5	078307	Washer	2	
6	58099R	Rem. control switch 12V-30A	3	
7	584305	Square	1	
8	58115R	Starter relay 12V-80A	1	
9	638733	Battery Yuasa 12V-12Ah (150x85x145)	1	
10	583921	Strip	1	
11	582153	Non return spring	1	
12	145298	Lock-strap L=180mm	1	

<b>Group</b>	Electrical system
<b>Code</b>	06.06
<b>Description</b>	Voltage Regulators - Electronic Control Units (ecu) - H.T. Coil
<b>Service</b>	1



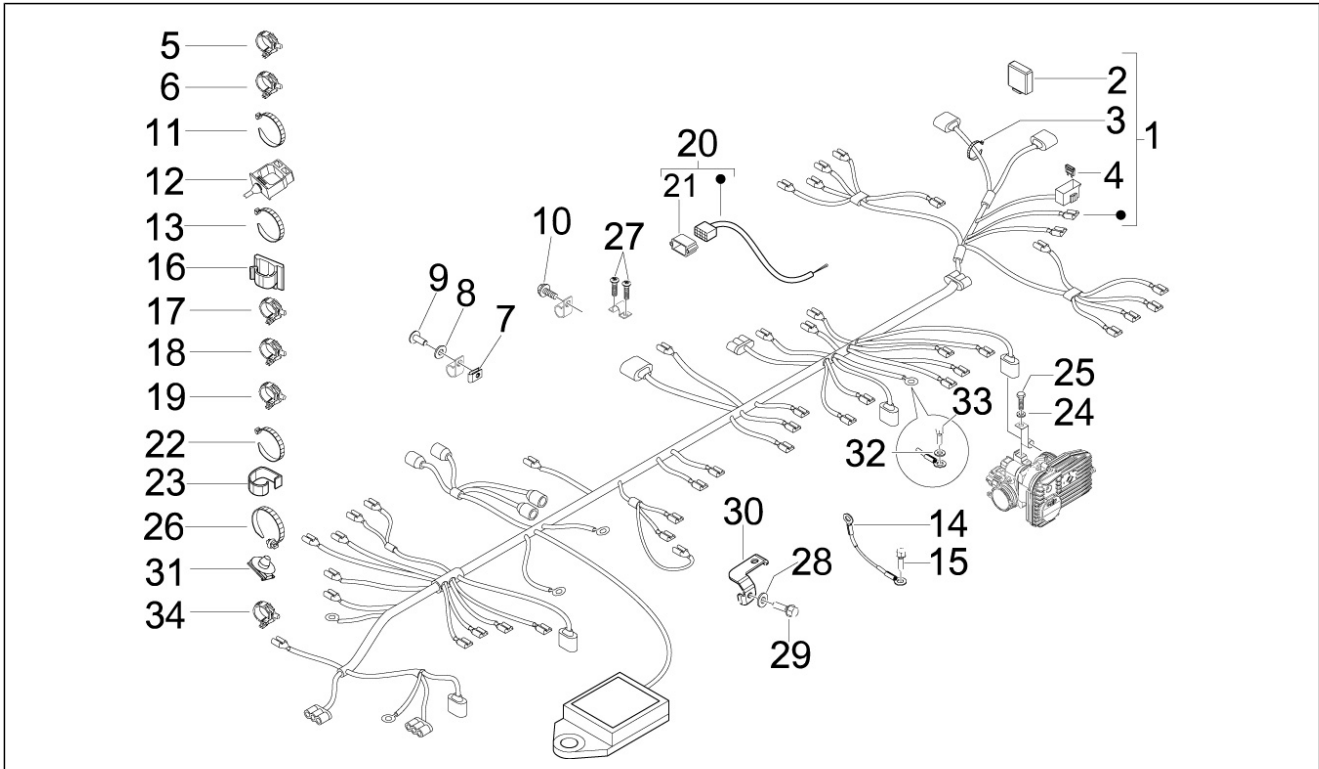
Pos.	Code	Description	Qty	Variants
1	639110	Voltage regulator (SHIND.)	1	
2	828863	Screw w/ flange	2	
3	640615	Voltage regulator support	1	
4	640591	***H.T COIL BRACKET	1	
5	012554	Washer 3.2x5.7x0.9	4	
6	020003	Nut m3	4	
7	006125	Flat washer	2	
8	241936	Self locking nut M6	2	
9	58120R	HT coil	1	
10	583236	screw M3x20	4	
11	080341	H.V. cable	1	
12	293845	Screened cap	1	
13	015014	End cap	1	
14	641219	Spark plug protection clamp	1	
15	071671	Insulating cap	1	
16	584772	Bracket	1	
17	434541	Screw w/ flange M6x16	2	
18	254485	Spring plate M6	2	
19	031117	Screw m8x18 zn	2	
20	016408	Spring washer 13,75x8,15x4,5	2	
21	003038	Flat washer 8,4x18x2	2	
22	145298	Lock-strap L=180mm	2	

<b>Group</b>	Electrical system
<b>Code</b>	06.08
<b>Description</b>	Main cable harness
<b>Service</b>	1



Pos.	Code	Description	Qty	Variants
1	641512	Cable harness	1	
2	640963	ELECTRIC CONTROLS MANAGEMENT DEVICE	1	
3	145298	Lock-strap L=180mm	1	
4	252945	Fuse 7,5A	6	
4	290860	Fuse 15A	3	
4	292507	Fuse 10A	1	
4	581440	Fuse 30A	1	
5	CM006908	Non return spring L=23	1	
6	CM006906	Non return spring L=33	2	
7	CM017405	Spring plate	1	
8	013763	Flat washer 4,2x12x1	1	
9	015728	screw	1	
10	018639	Hex screw M6x20	1	
11	145298	Lock-strap L=180mm	9	
12	291017	Flexible support	1	
13	257134	Lock-strap L=277	8	
14	581424	Ground cable	1	
15	031089	Hex screw M6x18	1	
16	577594	Spring clamp	3	
17	CM006902	Non return spring	1	
18	CM006903	Pipes/cables retainer spring	2	
19	CM006904	Non return spring l=27	1	
20	639764	Instrument wiring harness	1	
21	582172	Cap	1	
22	638792	Hose clamp	1	
23	564761	Hose clamp	2	
24	012528	Washer	1	
25	125647	screw	1	

<b>Group</b>	Electrical system
<b>Code</b>	06.08
<b>Description</b>	Main cable harness
<b>Service</b>	1



Pos.	Code	Description	Qty	Variants
26	298729	Hose clamp	1	
27	272836	Screw M6x16	2	
28	012528	Washer	1	
29	484123	Screw w/ flange	1	
30	639843	Bracket	1	
31	584520	Connector spring	1	
32	013880	Flat washer 16x6,5x1,5	1	
34	564014	Hose clamp	1	