



PIAGGIO & C.s.p.a.

aprilia

SPARE PARTS CATALOGUE

SR Motard 125 4T E3 2012-2014

Chassis prefix: LBMM70300

Engine prefix:

Index

Finished products.....	4
Alphanumeric index.....	5
Engine.....	9
Table 01.02 - Mesin, rakitan.....	9
Table 01.05 - Rumah mesin.....	10
Table 01.06 - poros mesin.....	12
Table 01.07 - Unit pena sendi - piston - silinder.....	13
Table 01.10 - Unit kepala - Katup.....	14
Table 01.11 - Unit penyokong tuas penggoyang.....	15
Table 01.12 - Penutup kepala silinder.....	16
Table 01.13 - kerekan penggerak.....	17
Table 01.14 - kerekan yang digerakkan.....	18
Table 01.15 - Penutup rumah mesin- Pendingin rumah mesin.....	19
Table 01.18 - pompa oli.....	20
Table 01.20 - Starter - Starter listrik.....	22
Table 01.21 - Magneto roda gila.....	23
Table 01.23 - Penutup magneto roda gila - Filter oli.....	24
Table 01.25 - Unit reduksi.....	25
Table 01.35 - Rem belakang - Rahang rem.....	26
Table 01.39 - Karburator, rakitan - Pipa gabungan.....	27
Table 01.40 - Komponen karburator.....	28
Table 01.42 - Knalpot.....	29
Table 01.45 - Saringan udara.....	30
Table 01.46 - kotak udara sekunder.....	31
Frame - Plastic parts - Coachwork.....	32
Table 02.01 - Rangka/bodi kendaraan.....	32
Table 02.25 - Standar.....	33
Table 02.26 - Perisai depan.....	34
Table 02.30 - Kotak penyimpanan depan - Panel pelindung lutut.....	35
Table 02.31 - Penutup tengah - Pijakan kaki.....	36
Table 02.32 - Penutup samping - Spoiler.....	37
Table 02.33 - Rumah roda - Pelindung lumpur.....	38
Table 02.34 - Tempat helm - Jok bawah.....	39
Table 02.37 - Penutup belakang - Pelindung percikan.....	40
Table 02.38 - Pelat - emblem.....	41
Table 02.39 - Jok/tempat duduk - Tool roll.....	43
Table 02.45 - Kaca spion.....	44
Table 02.46 - Pengunci.....	45
Table 02.47 - Tangki bahan bakar.....	46
Handlebars/Steering.....	47
Table 03.01 - Penutup setang.....	47
Table 03.02 - Kombinasi meter - Cruscotto.....	48
Table 03.06 - Setang - Silinder utama.....	49

Suspensions - Wheels.....	50
Table 04.01 - Lengan ayun.....	50
Table 04.02 - Tabung kemudi/garpu - Unit bantalan kemudi.....	51
Table 04.10 - Suspensi belakang - Peredam kejut.....	52
Table 04.11 - Roda depan.....	53
Table 04.12 - Roda belakang.....	54
Braking system - Transmissions.....	55
Table 05.01 - Pipa rem - Kaliper.....	55
Table 05.03 - Transmisi.....	56
Electrical system.....	57
Table 06.01 - Pemilih - Switch - Tombol.....	57
Table 06.03 - Lampu utama depan - Lampu sein.....	58
Table 06.04 - Lampu utama belakang - Lampu sein.....	59
Table 06.05 - Switch remote control - Aki - Klakson.....	60
Table 06.06 - Regulator tegangan - Unit Kontrol Elektronik (ECU) - Koil H.T.....	61
Table 06.08 - Harnes kabel utama.....	62

Finished products

Code	Validity
ESCF000AU1	
ESCF000J01	
ESCF000RK1	
ESCF87AAU1	
ESCF87AJ01	
ESCF87ARK1	
ESCF90AAU1	
ESCF90AJ01	
ESCF90ARK1	
ESCFAOAAU1	
ESCFAOAJ01	
ESCFEZARK1	
NSCF000CN1	
NSCF000CN5	
NSCF87ACN1	
NSCF90ACN1	
NSCFAOACN1	
NSCFEZACN5	

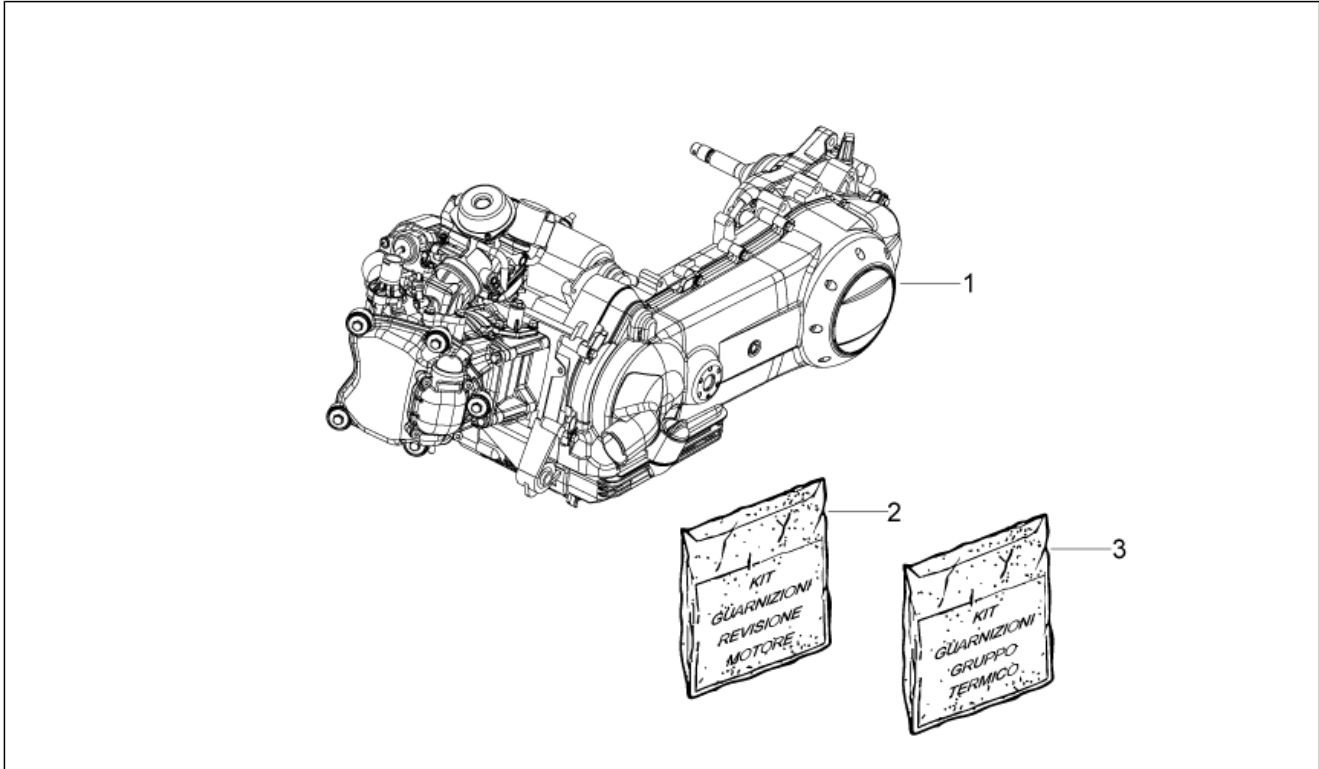
Code	No. table	Pos.	Code	No. table	Pos.	Code	No. table	Pos.
000267	01.21	4	254485	02.33	3	292022	06.04	14
000674	01.05	14	254485	06.05	7	293556	02.37	9
002440	02.25	6	257134	05.03	7	294076	06.05	3
002440	04.01	15	257617	02.30	11	294131	06.03	3
002440	04.10	5	258146	01.15	4	294341	06.01	1
003056	01.45	12	258146	01.23	6	295409	04.01	10
003058	02.37	13	258146	01.45	5	296743	02.39	4
0037514	04.02	16	258160	02.47	7	297498	01.46	13
006416	04.01	12	259151	01.21	8	297498	02.26	9
006635	01.15	10	259349	02.30	13	297498	02.30	7
006652	01.25	5	259349	02.30	5	298581	02.46	4
006975	01.21	9	259349	02.31	9	298594	02.46	6
008370	01.13	7	259349	02.34	6	298604	02.01	2
008457	03.01	2	259372	02.34	3	298731	02.46	3
00H01004131	06.03	2	259577	01.12	17	298838	02.46	7
0111094	04.02	17	259830	01.46	2	298903	02.46	5
012533	01.45	11	259830	06.04	11	327187	04.11	2
012543	03.06	4	259832	02.47	6	411295	01.05	8
012789	04.12	8	265249	03.06	13	411311	01.05	5
013861	01.42	11	266040	05.03	6	414837	01.18	27
015330	03.06	5	266724	01.35	2	414838	01.35	7
016404	06.04	17	267115	03.01	4	430585	01.14	9
016406	02.47	3	267115	03.01	6	431065	01.05	18
016406	06.06	5	267948	03.06	14	431089	01.14	8
018575	01.05	26	268158	04.10	3	4310935	01.14	10
018575	01.21	6	268304	02.47	4	431860	01.05	10
018591	06.04	16	268596	02.31	4	431860	01.15	11
018623	01.18	13	268596	02.39	5	432142	01.05	28
018639	01.11	5	268596	03.02	4	433232	01.14	14
018639	01.12	2	269136	02.39	9	434345	01.18	12
018639	01.20	2	269755	01.25	15	434541	01.18	30
018640	01.45	10	270310	05.03	4	434541	06.05	6
020008	04.10	7	270723	02.26	4	434716	01.10	11
020104	06.04	18	270723	02.30	2	4348555	01.13	2
030115	02.25	3	270723	02.31	6	435571	01.07	10
031092	02.47	2	270723	02.33	7	435629	01.10	10
060201	01.21	10	270723	06.03	4	436438	01.10	5
123394	03.06	15	270793	01.12	16	436695	01.18	6
127927	05.01	7	270793	01.15	5	436783	01.13	11
129953	06.04	2	270793	02.31	2	436783	01.21	7
145298	05.03	5	270991	04.11	8	436919	06.06	7
164634	03.02	3	270991	04.12	3	436947	01.42	10
179640	05.03	3	271147	04.11	10	478115	01.05	12
184142	02.26	2	271740	04.11	7	478984	01.25	4
184142	02.26	5	271807	04.01	14	478985	01.15	9
184142	02.32	3	272176	04.01	11	479132	01.45	6
184142	02.32	6	272750	04.01	8	479986	01.18	20
184142	02.34	4	272836	02.33	2	482291	05.01	9
184142	06.04	4	272836	06.06	4	482335	01.07	6
194423	04.12	7	272921	01.25	6	483226	01.14	5
196868	02.47	10	273460	04.01	9	483706	01.10	8
197983	04.12	9	273754	02.25	4	483707	01.10	7
1B000541	03.01	5	274246	01.14	16	483711	01.10	6
1B00054200XH1	02.32	12	274489	03.06	10	483767	01.05	21
1B000543	03.01	1	274491	03.06	9	483775	01.18	9
1D000635	06.05	5	277916	01.05	29	483776	01.23	11
231027	02.47	5	277916	01.07	9	483785	01.05	2
231590	01.12	15	277916	01.18	21	483841	01.23	12
239388	01.05	16	285536	01.23	15	483889	01.13	12
239388	01.15	8	285846	01.10	2	483914	01.10	3
239397	01.10	9	287913	01.18	4	483915	01.10	4
252420	02.30	6	288474	01.23	13	483918	01.18	22
252945	06.08	5	289731	01.15	13	484034	01.05	9
253937	02.46	9	289731	01.18	16	484123	01.11	13
254485	01.23	3	289731	05.01	8	484819	01.11	3
254485	01.45	13	290404	06.08	3	484993	01.05	7
254485	02.31	10	290860	06.08	6	485047	01.05	19

Code	No. table	Pos.	Code	No. table	Pos.	Code	No. table	Pos.
485603	01.10	15	582428	02.37	6	65746800XH1	02.26	6
485655	01.05	23	584332	06.03	6	65746900XH1	02.37	2
485703	01.25	16	584332	06.03	9	6574700090	03.01	1
485779	01.07	3	584332	06.04	6	6574720090	02.37	1
485868	01.18	28	584332	06.04	9	65747300XH1	02.37	3
485912	01.05	13	584426	06.01	5	657507	02.47	1
485913	01.05	15	584690	01.21	3	664045	04.02	18
485914	01.07	4	584695	01.21	2	664170	06.03	11
486075	01.23	17	584810	06.05	4	664219	04.01	7
486081	01.05	4	584877	02.37	11	664303	02.32	9
486082	01.18	3	584884	02.37	10	664305	02.32	10
486140	01.21	2	597016	04.01	16	664306	02.26	12
486324	01.14	17	597374	04.01	5	664307	02.26	10
486336	01.11	4	597499	04.01	1	664308	02.26	13
486339	01.11	10	598918	05.03	2	664309	02.26	11
486362	01.07	5	598919	05.01	3	664310	02.37	4
486972	01.11	6	5A000289	02.38	15	664359	06.04	7
486972	01.23	7	5A000290	02.38	16	664360	06.03	7
487115	01.25	12	5A000291	02.38	15	664361	06.04	10
487211	01.25	13	5A000292	02.38	16	664362	06.03	10
487665	01.42	5	600482	04.02	12	664379	06.03	12
487824	01.18	17	600485	04.02	4	664434	02.37	5
487832	01.11	7	600486	04.02	10	664454	02.26	14
487936	01.14	12	600490	04.02	5	664454	02.32	11
487937	01.18	14	600495	04.02	10	664457	06.04	3
487989	01.12	5	600496	04.02	13	666008	05.01	1
494984	01.02	3	601205	04.12	4	66609100XH1	02.33	1
494985	01.02	2	601401	04.02	11	666261	04.02	2
56127R	04.01	2	601645	02.39	12	666262	04.02	3
561714	04.11	9	624522	02.47	14	666286	04.12	1
56294R	01.35	1	638852	01.12	19	666311	04.11	1
563728	04.12	6	642018	02.37	8	666313	02.25	1
563977	04.01	13	642019	03.02	5	666821	04.10	2
5641365	01.35	4	642021	06.03	1	666822	04.10	1
564215	01.35	5	642022	06.04	1	666823	04.10	4
56434R	04.11	11	642023	06.04	5	666929	05.03	8
564475	04.11	4	642024	06.04	8	666930	05.03	1
564527	04.11	3	642025	06.03	5	668484	04.02	1
564606	02.37	12	642026	06.03	8	668572	04.02	20
564681	03.06	12	642276	01.23	16	668573	04.02	19
573052	06.06	8	642318	06.05	1	668574	04.02	21
575249	02.30	9	642480	06.08	1	668575	04.02	22
575249	02.33	4	643415	03.02	1	67207000XH1	02.33	6
575249	02.33	8	646832	03.06	17	67207100XH1	02.26	3
575249	02.34	2	647078	05.01	2	672173	06.06	3
575321	02.47	9	647384	01.35	3	672185	02.37	16
575819	02.30	12	649602	03.06	7	672186	02.37	15
577492	02.39	2	649603	03.06	8	67219000XH1	02.34	1
577557	02.47	11	650075	04.02	14	672200	02.38	13
580561	06.08	2	650693	04.02	15	672327	02.39	6
58056R	06.01	2	651502	05.01	6	67235400XH1	02.33	5
58057R	06.01	4	652697	02.39	8	672750	02.01	1
58058R	06.01	3	655554	03.06	2	674424	03.06	3
58059R	01.21	1	6574610087	02.26	1	674425	04.12	5
580621	02.46	8	6574610090	02.26	1	675331	02.39	1
580645	06.01	6	65746100AO	02.26	1	677058	02.38	5
580653	06.08	4	65746100EZ	02.26	1	677059	02.38	6
58083R	06.06	6	65746200XH1	02.26	8	677060	02.38	3
58090R	06.06	1	65746300XH1	02.26	7	677061	02.38	4
58093R	06.05	5	6574660087	02.32	4	677062	02.38	7
581142	06.06	10	6574660090	02.32	4	677063	02.38	8
581248	02.25	8	65746600AO	02.32	4	677064	02.38	9
581249	02.25	7	65746600EZ	02.32	4	677065	02.38	10
581560	02.25	2	6574670087	02.32	1	677066	02.38	11
582042	06.05	2	6574670090	02.32	1	677069	02.38	5
582058	02.37	7	65746700AO	02.32	1	677070	02.38	6
582298	02.25	5	65746700EZ	02.32	1	677071	02.38	3

Code	No. table	Pos.	Code	No. table	Pos.	Code	No. table	Pos.
677072	02.38	4	82948R	01.18	1	845753	01.12	7
677073	02.38	10	829593	01.18	2	845861	01.05	17
677074	02.38	11	82961R	01.39	7	8459305	01.11	11
677077	02.38	1	829661	01.05	22	8460245	01.25	1
677078	02.38	2	829817	01.12	3	846766	01.46	8
677079	02.38	1	82996R	01.46	1	847778	01.23	19
677080	02.38	2	830056	01.45	9	847928	01.18	31
677536	02.38	14	830061	01.05	20	847930	01.25	7
677537	02.38	14	830128	01.18	18	848766	01.42	3
709047	05.01	4	83018R	01.25	3	849465	01.39	2
709532	01.39	5	830446	01.11	8	85270000XH1	02.34	7
709532	01.39	6	830447	01.11	9	85299000XH1	02.34	5
709532	01.45	15	8304535	01.11	1	853047	03.06	1
709674	04.11	12	830580	01.14	2	8530500090	03.01	5
82518R	01.14	4	831259	01.46	4	853058	04.11	6
825363	01.12	20	831363	01.13	9	85306100XH1	02.31	1
825364	01.12	4	8319740001	01.07	2	853075	04.11	5
825368	01.12	14	8319740002	01.07	2	853075	04.12	2
82538R	01.18	11	8319740003	01.07	2	85643100XH1	02.31	5
825430	01.21	11	8319740004	01.07	2	85643300XH1	02.30	1
825481	01.23	18	831975	01.07	1	856437	02.30	10
825620	01.18	10	832130	01.05	24	856440	03.02	2
825643	01.42	9	832703	01.23	2	856446	04.01	17
825952	01.18	32	832715	01.13	6	85645000XH1	02.31	7
82611R	01.20	1	832943	01.46	7	85645100XH1	02.31	8
82612R	01.20	3	833308	01.11	12	85645200XH1	02.32	7
826165	01.23	14	833722	01.18	5	85645300XH1	02.32	8
826275	01.12	11	833802	01.23	4	856454	02.32	12
826275	01.12	13	833821	01.12	12	8564540090	02.32	12
82635R	01.23	10	834187	01.42	8	856459	02.37	14
82643R	01.18	25	834473	01.23	1	856462	02.39	3
82649R	01.18	7	834476	01.46	12	856463	02.39	7
82650R	01.18	29	840510	01.18	26	856465	02.39	11
82681R	01.10	16	841213	01.13	8	856466	02.39	10
827085	01.05	25	8412985001	01.06	1	85647100XH1	02.30	3
8271120001	01.07	2	8412985002	01.06	1	856472	02.30	4
8271120002	01.07	2	8413805	01.15	1	856473	02.30	8
8271120003	01.07	2	8417485	01.25	8	85647400XH1	02.30	14
8271120004	01.07	2	842093	01.15	3	858180	06.04	13
827113	01.07	1	842204	01.13	3	85824300XH1	02.31	3
827526	01.42	4	842360	01.10	12	858306	06.04	12
82753R	01.14	3	842507	01.10	13	858318	04.02	13
82777R	01.10	1	842514	01.40	1	858319	04.02	6
82782R	01.18	23	842517	01.40	3	858320	04.02	9
827831	01.45	7	842521	01.40	16	858321	04.02	8
82783R	01.18	8	842522	01.40	13	858322	04.02	7
828146	01.07	8	842523	01.40	14	858334	06.04	15
828147	01.07	8	842530	01.40	9	858542	05.03	9
828148	01.07	8	842737	01.12	9	858543	05.01	5
828152	01.39	3	843194	01.45	3	860193	02.46	1
82817R	01.11	2	843195	01.45	4	860535	03.02	6
828308	01.18	24	843364	01.18	19	860536	02.32	2
8285655	01.25	10	843443	01.12	10	860536	02.32	5
828583	01.23	8	843757	01.23	5	860691	02.46	2
828662	01.12	18	843761	01.18	15	860902	04.01	4
828662	01.21	5	843841	01.42	2	871167	01.39	4
828662	01.23	9	843849	01.45	2	871458	01.15	12
828717	01.14	6	8440494	01.14	15	872877	01.14	11
82878R	01.05	11	844116	01.46	6	872997	01.42	7
828831	01.40	11	844470	01.42	6	873389	01.15	7
828843	01.40	8	844483	04.10	6	873682	01.15	6
828844	01.40	6	844582	01.05	6	8738745	01.25	9
828862	01.35	6	844719	01.10	14	873980	01.25	14
82898R	01.05	3	844964	01.15	15	874106	01.15	2
82899R	01.25	2	845212	01.05	30	876403	01.13	10
829001	01.45	14	845607	01.13	5	876657	01.05	27
829008	01.12	6	845635	01.46	10	877140	01.12	1

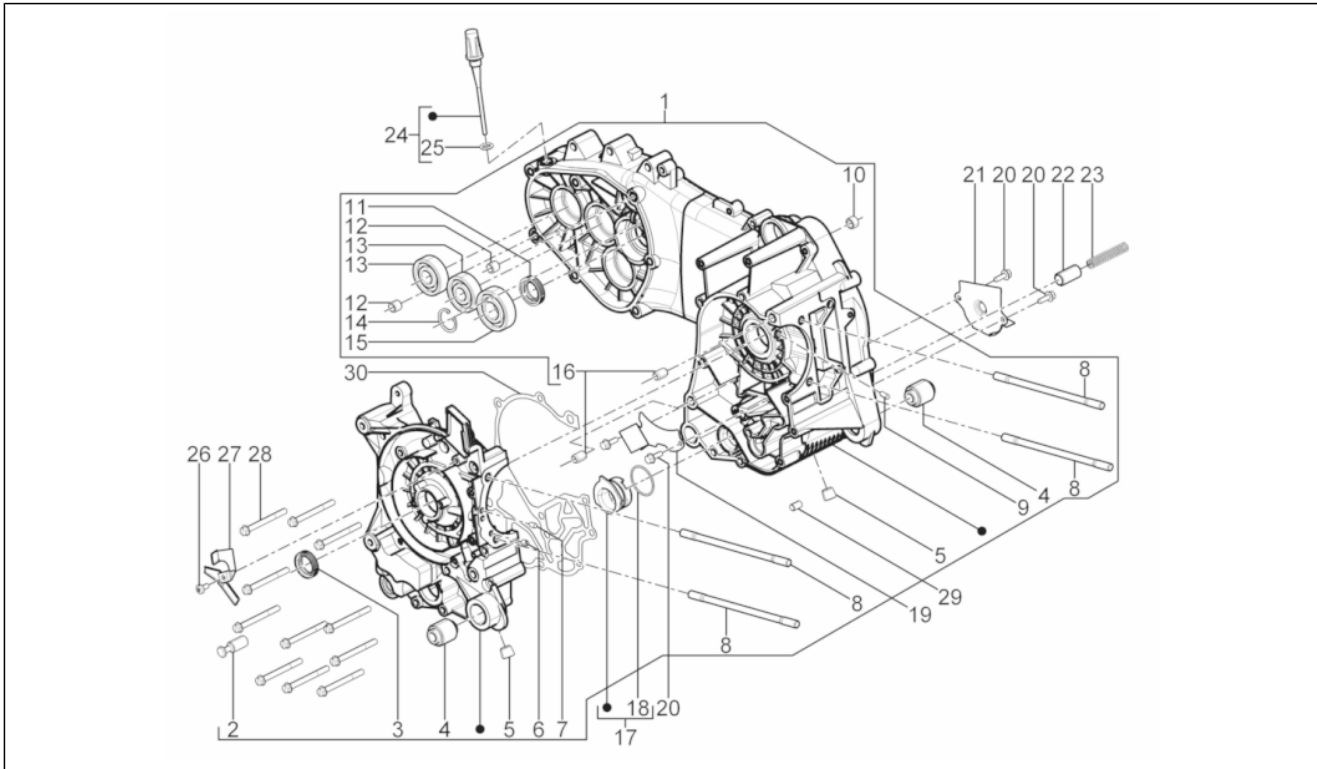
Code	No. table	Pos.
877287	01.05	8
877357	01.42	1
879002	01.14	7
890103	02.34	8
895839	02.38	12
963486	01.07	7
969348	06.06	9
B013216	01.45	1
CM001904	01.12	8
CM001904	01.46	3
CM001904	01.46	5
CM001912	02.47	13
CM002902	01.39	8
CM002903	01.39	9
CM002904	01.46	9
CM002910	01.45	8
CM002917	01.46	11
CM006103	02.47	16
CM017409	03.01	3
CM025711	02.47	8
CM027914	02.47	12
CM027916	02.47	15
CM063805	03.06	11
CM064305	03.06	16
CM067801	04.01	6
CM067803	04.01	3
CM078307	06.06	2
CM079717	03.06	6
CM1038035	01.13	4
CM129914	01.40	10
CM140105	01.40	15
CM140210	01.40	4
CM140302	01.40	5
CM140903	01.40	2
CM142905	01.40	7
CM144402	01.13	1
CM1457105	01.02	1
CM1485105001	01.05	1
CM1485105002	01.05	1
CM149404	01.40	17
CM155103	01.15	14
CM156006	01.39	1
CM156709	01.40	14
CM1612015	01.14	13
CM162202	01.25	11
CM162401	01.14	1
CM180601	02.45	1
CM180602	02.45	2

Group	Engine
Code	01.02
Description	Mesin, rakitan
Service	1



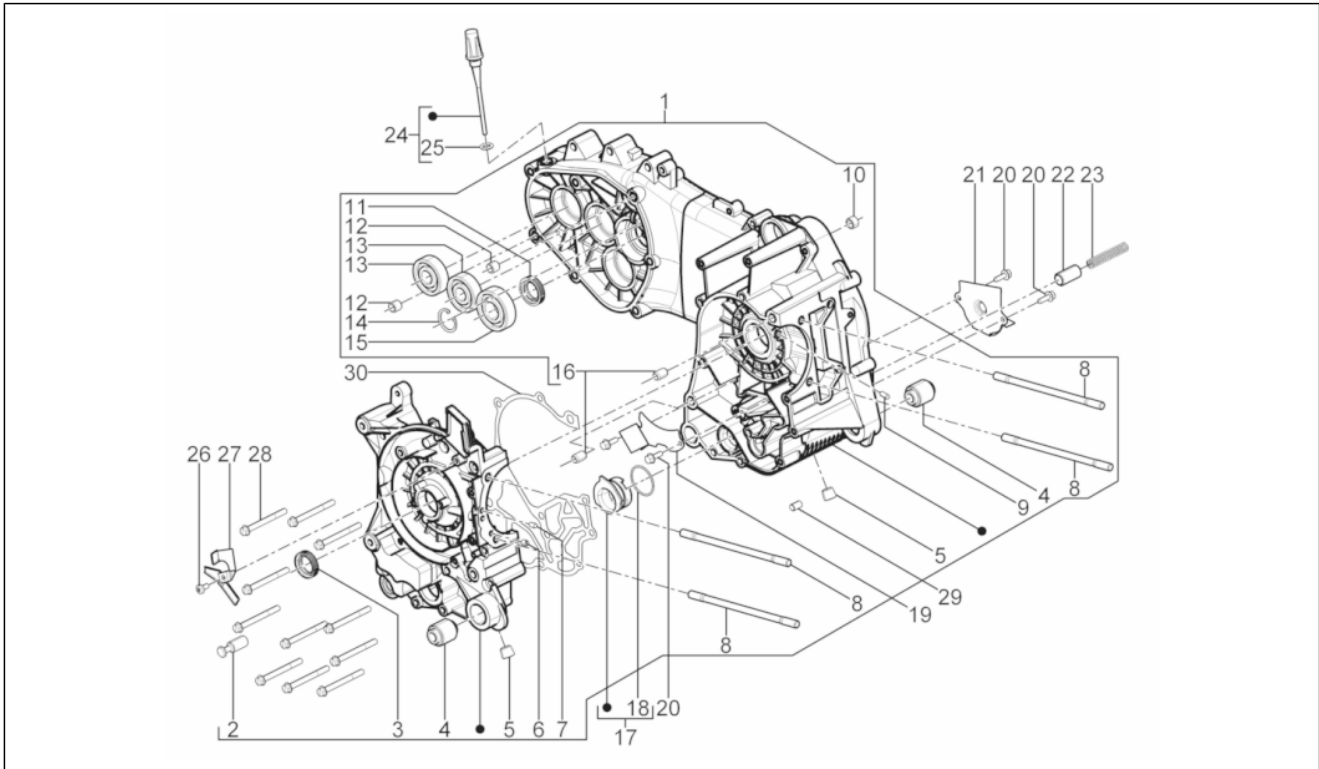
Pos.	Code	Description	Qty	Variants
1	CM1457105	Engine cpl.	1	
2	494985	Gasket set	1	
3	494984	Gasket set	1	

Group	Engine
Code	01.05
Description	Rumah mesin
Service	1



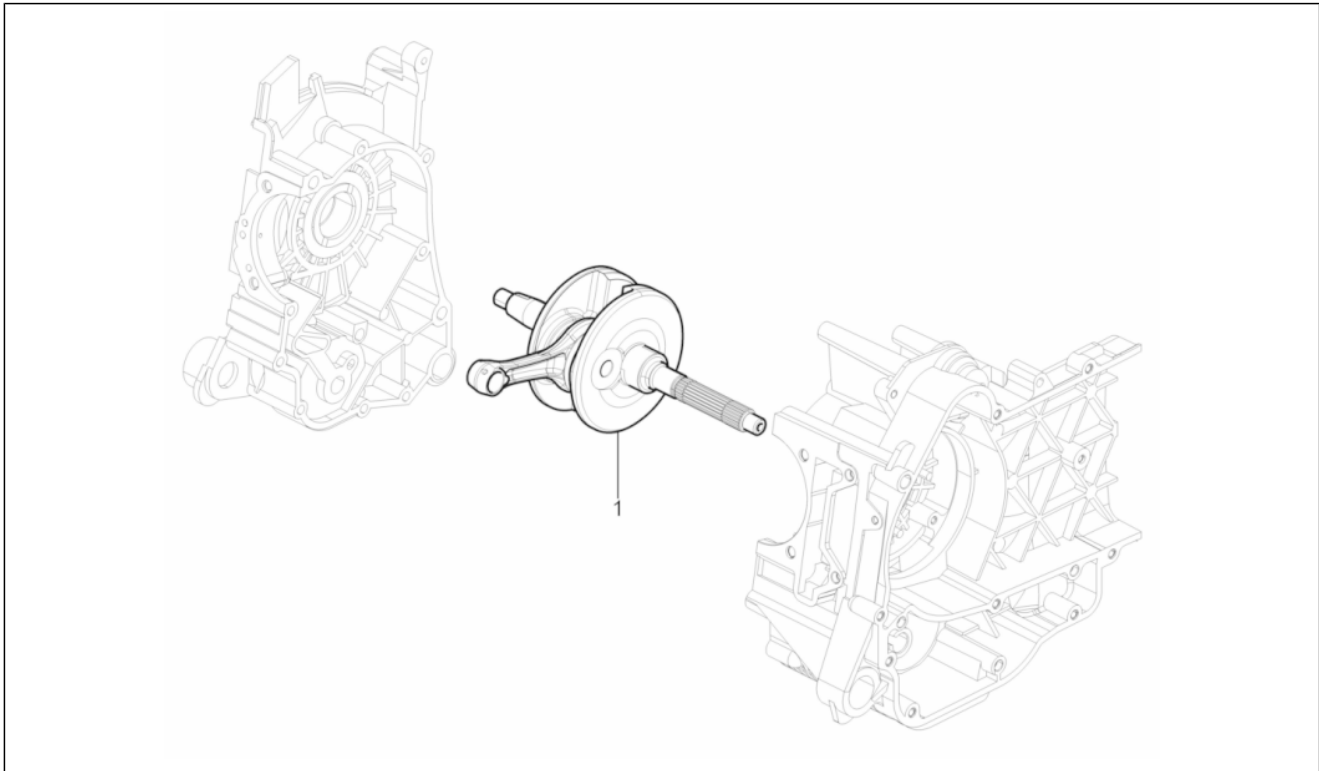
Pos.	Code	Description	Qty	Variants
1	CM1485105001	Complet crankcase engine Cat.1	1	
1	CM1485105002	Complet crankcase engine Cat.2	1	
2	483785	Springs fixing pin	1	
3	82898R	Gasket ring 20-30-7	1	
4	486081	Silent-block	2	
5	411311	Plug M12x1,5	2	
6	844582	Nozzle D 1.1	1	
7	484993	Locating dowel	1	
8	411295	Stud bolt	4	
8	877287	Stud bolt M8x165	4	
9	484034	Nozzle	1	
10	431860	Bush Ø8xØ12x8	1	
11	82878R	Gasket ring 20-32-7	1	
12	478115	Locating dowel Ø11xØ8,1x10	2	
13	485912	Radial ball bearing 15x42x13	2	
14	000674	Circlip 25x26.9x1.2	1	
15	485913	Radial bearing 20x47x14	1	
16	239388	Pin 6,5x9,5x15	2	
17	845861	Filter door insert	1	
18	431065	Gasket	1	
19	485047	Upper oil bulkhead	1	
20	830061	Screw w/ flange M5x16	4	
21	483767	Lower oil bulkhead	1	
22	829661	Oil pressure valve	1	
23	485655	Spring	1	
24	832130	Complete oil level dipstick	1	
25	827085	Gasket ring 14,43x9,19x2,62	1	
26	018575	Screw M5x10	1	

Group	Engine
Code	01.05
Description	Rumah mesin
Service	1



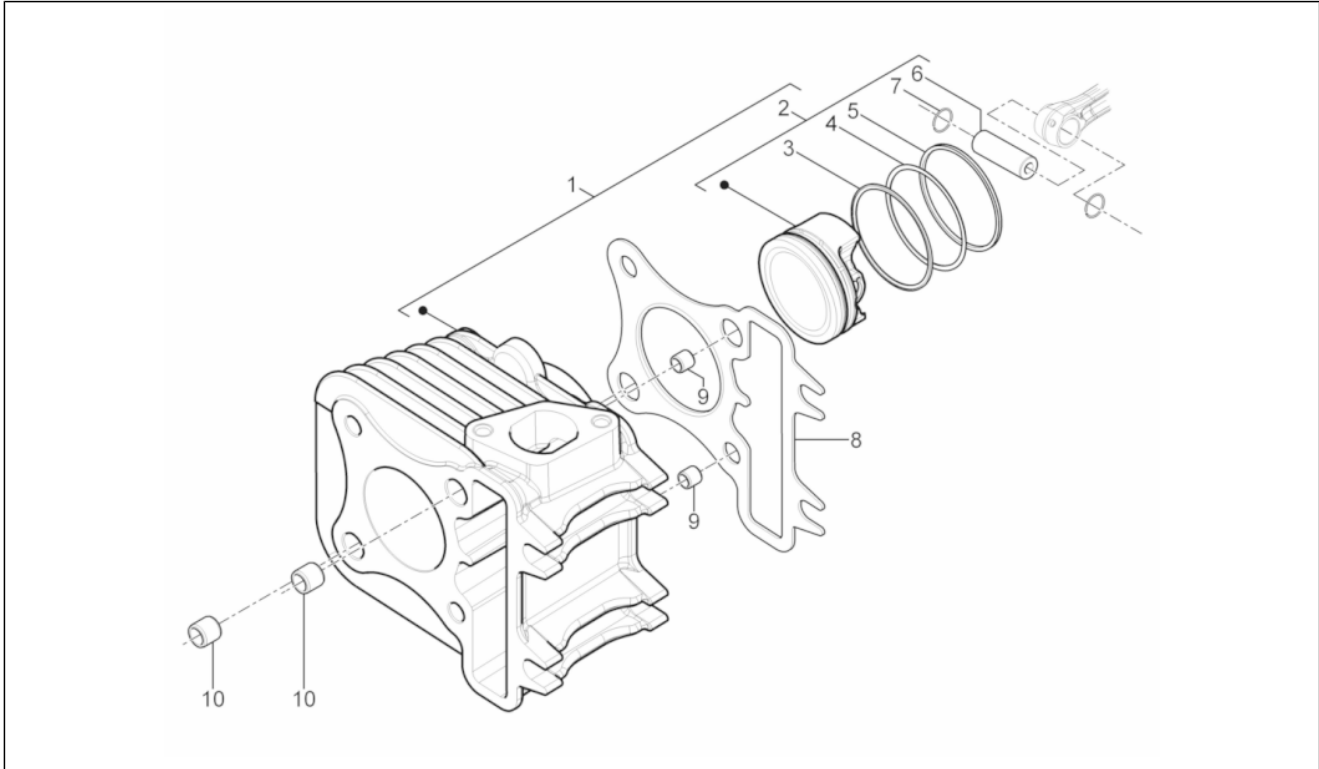
Pos.	Code	Description	Qty	Variants
27	876657	Plate	1	
28	432142	screw M6x60	11	
29	277916	Locating dowel	1	
30	845212	Half crankcase gasket	1	

Group	Engine
Code	01.06
Description	poros mesin
Service	1



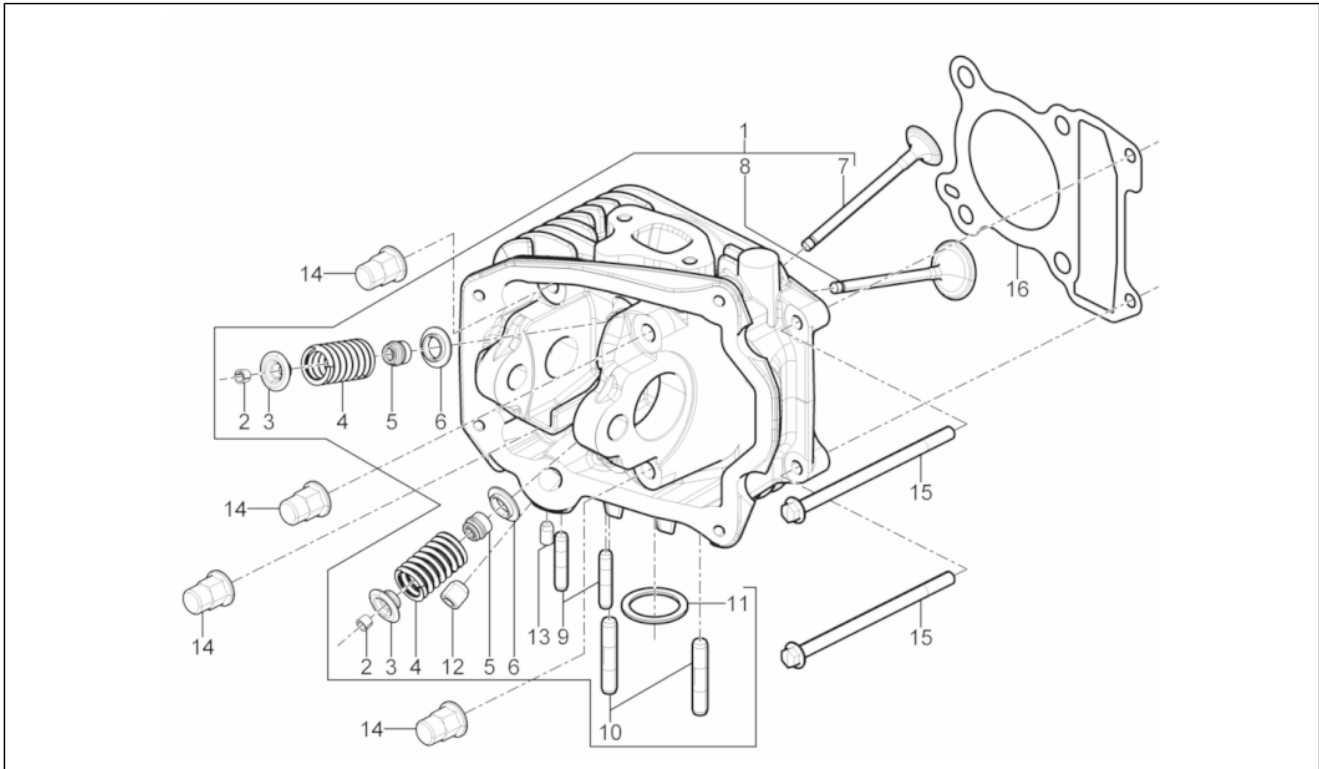
Pos.	Code	Description	Qty	Variants
1	8412985001	Crankshaft assembly Cat.1	1	
1	8412985002	Crankshaft assembly Cat.2	1	

Group	Engine
Code	01.07
Description	Unit pena sendi - piston - silinder
Service	1



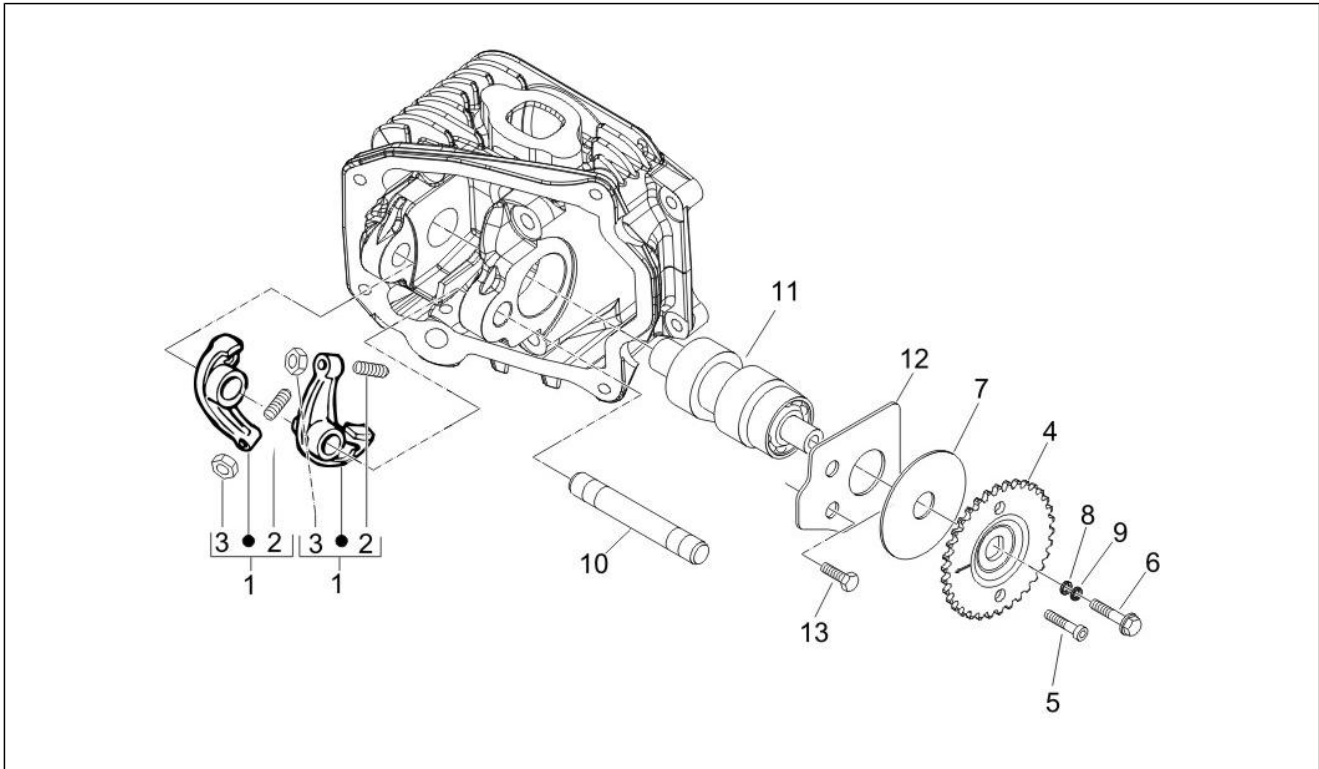
Pos.	Code	Description	Qty	Variants
1	827113	Cylinder assembly-piston-pin (Aluminium)	1	
1	831975	Cylinder assembly-piston-pin (Cast-iron)	1	
2	8271120001	Complete piston (Aluminium) Cat.1	1	
2	8271120002	Complete piston (Aluminium) Cat.2	1	
2	8271120003	Complete piston (Aluminium) Cat.3	1	
2	8271120004	Complete piston (Aluminium) Cat.4	1	
2	8319740001	Complete piston (Cast-iron) Cat.1	1	
2	8319740002	Complete piston (Cast-iron) Cat.2	1	
2	8319740003	Complete piston (Cast-iron) Cat.3	1	
2	8319740004	Complete piston (Cast-iron) Cat.4	1	
3	485779	Compression ring d.57x1	1	
4	485914	Oil scraper ring d.57x2,5	1	
5	486362	Oil scraper ring d.57x1	1	
6	482335	Piston pin	1	
7	963486	Snap ring	2	
8	828146	Cylinder base gasket 0,4 mm	1	
8	828147	Cylinder base gasket 0,6 mm	1	
8	828148	Cylinder base gasket 0,8 mm	1	
9	277916	Locating dowel	2	
10	435571	Locating dowel	2	

Group	Engine
Code	01.10
Description	Unit kepala - Katup
Service	1



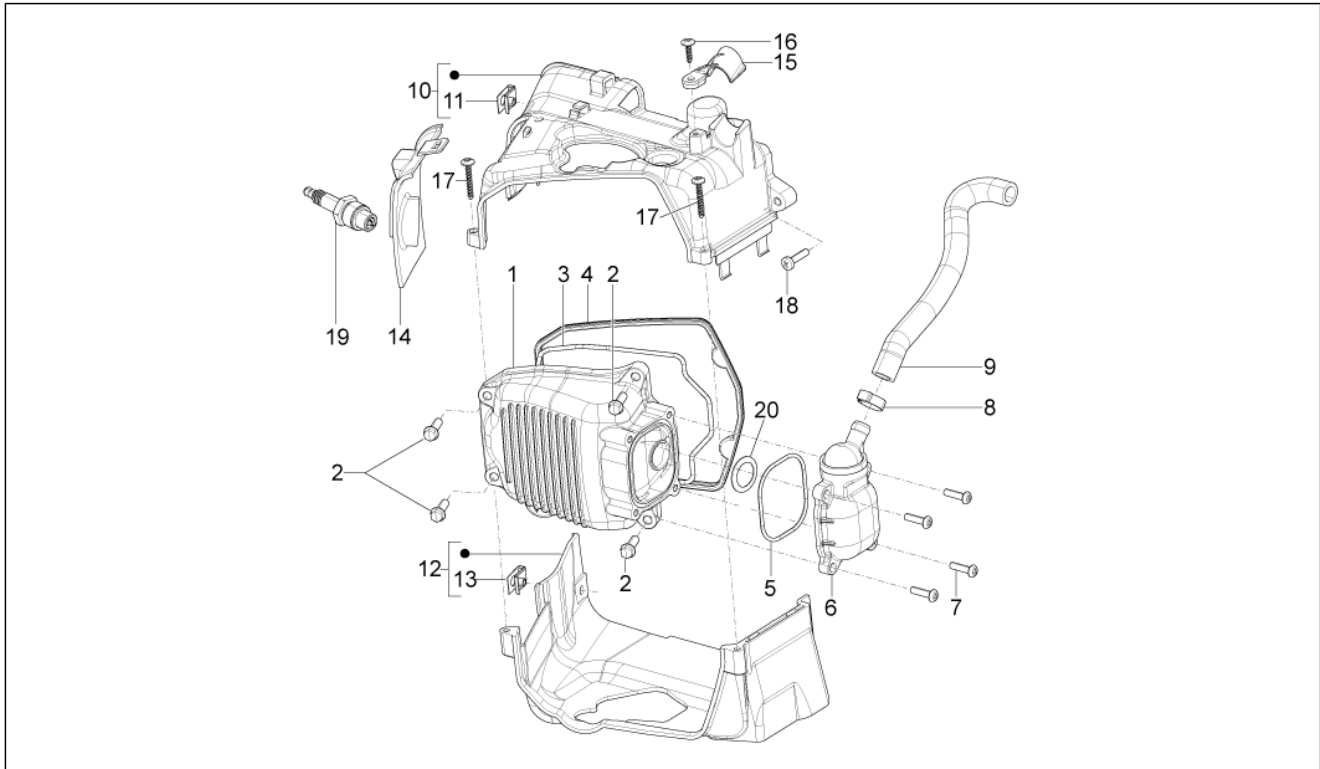
Pos.	Code	Description	Qty	Variants
1	82777R	Cylinder head assembly	1	
2	285846	Valve half-cone	4	
3	483914	Upper cap	2	
4	483915	Valve spring	2	
5	436438	Valve gasket ring	2	
6	483711	Lower cap	2	
7	483707	Exhaust valve	1	
8	483706	Intake valve	1	
9	239397	Stud bolt M6	2	
10	435629	Stud bolt M7	2	
11	434716	Big end-silencer gasket	1	
12	842360	Plug M6x10	1	
13	842507	Plug M10x1,25	1	
14	844719	Cap nut	4	
15	485603	Screw w/ flange	2	
16	82681R	Cylinder head gasket	1	

Group	Engine
Code	01.11
Description	Unit penyokong tuas penggoyang
Service	1



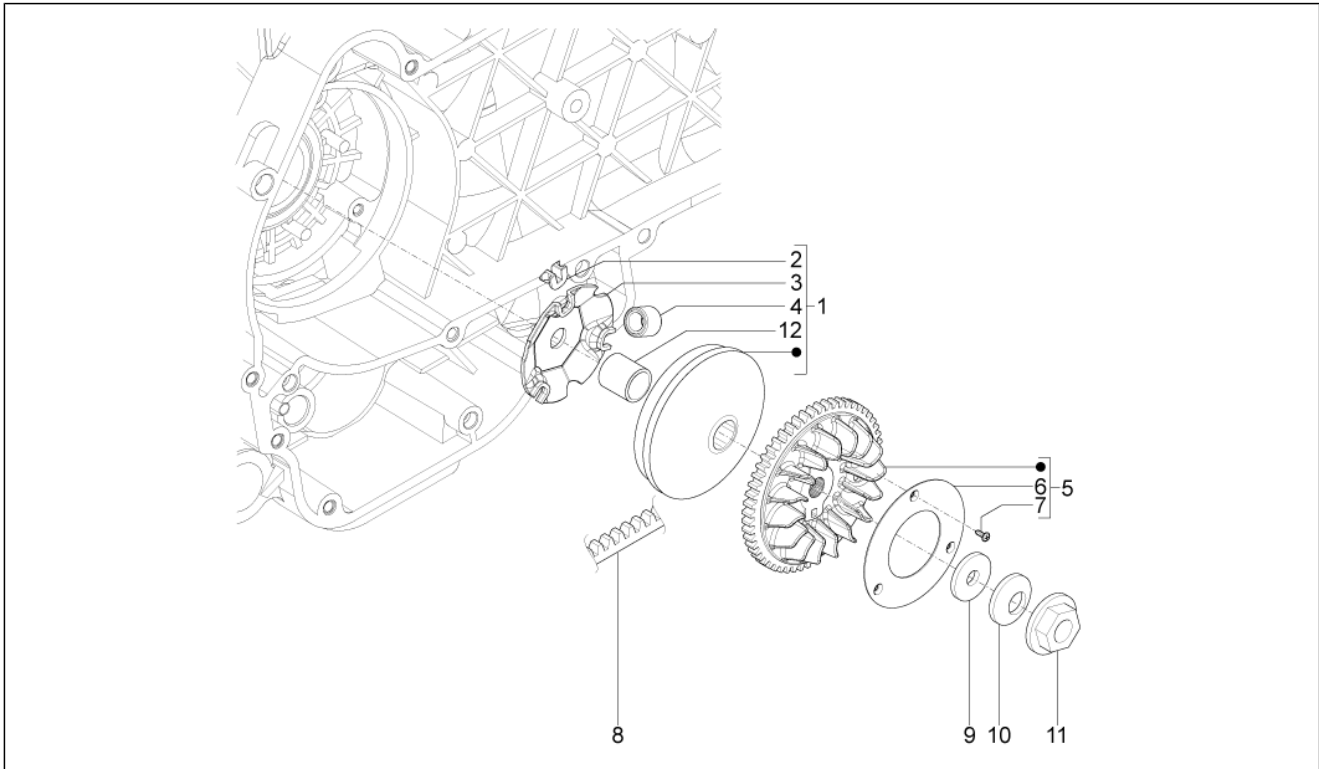
Pos.	Code	Description	Qty	Variants
1	8304535	Rocker arm cpl.	2	
2	82817R	Adjuster screw	1	
3	484819	Nut	1	
4	486336	Timing system gear	1	
5	018639	Hex screw M6x20	1	
6	486972	Hex socket screw M5x25	1	
7	487832	Washer	1	
8	830446	Plain washer	1	
9	830447	Plain washer	1	
10	486339	Rocker arms axis	1	
11	8459305	Camshaft	1	
12	833308	Camshaft plate	1	
13	484123	Screw w/ flange	2	

Group	Engine
Code	01.12
Description	Penutup kepala silinder
Service	1



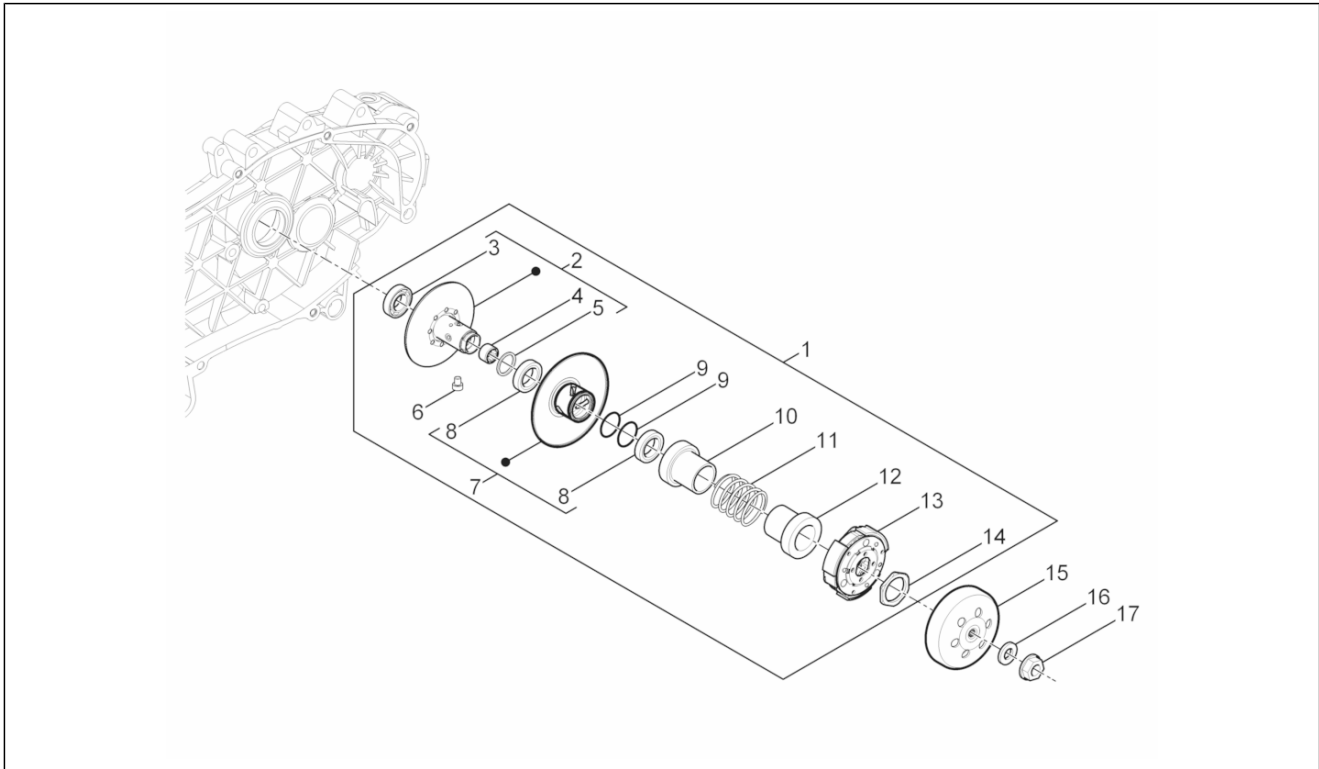
Pos.	Code	Description	Qty	Variants
1	877140	Head cover	1	
2	018639	Hex screw M6x20	4	
3	829817	Packing	1	
4	825364	Cylinder head gasket	1	
5	487989	Gasket	1	
6	829008	Oil bleed cover	1	
7	845753	Hex socket screw M5x20	4	
8	CM001904	Hose clamp	1	
9	842737	Oil breather pipe	1	
10	843443	Intake side hood	1	
11	826275	Spring plate	1	
12	833821	Exhaust side hood	1	
13	826275	Spring plate	1	
14	825368	Spark plug cover	1	
15	231590	Elastic spring	1	
16	270793	TBCIC Screw 3,8x16	1	
17	259577	screw	2	
18	828662	Screw M5x22	1	
19	638852	Spark plug CR7EB (NGK)	1	
20	825363	Washer	1	

Group	Engine
Code	01.13
Description	kerekan penggerak
Service	1



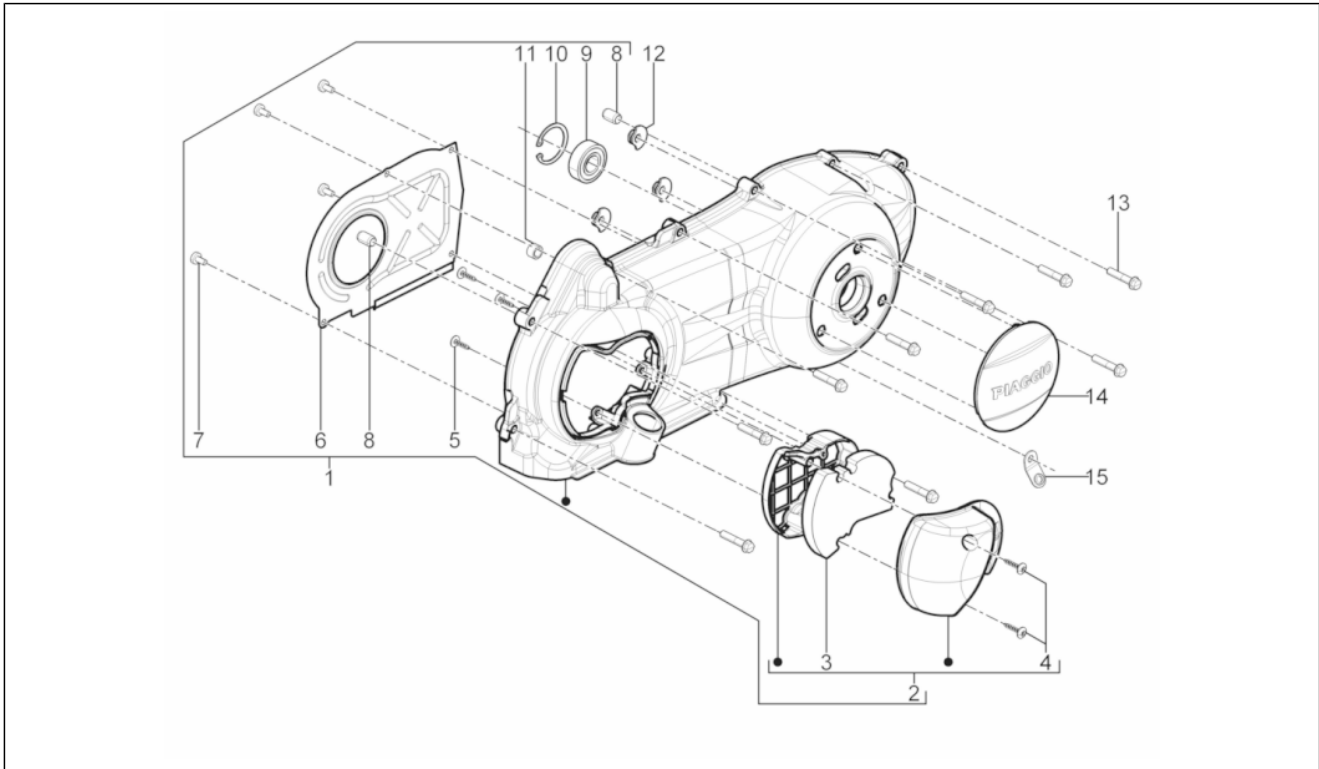
Pos.	Code	Description	Qty	Variants
1	CM144402	Complete roller housing	1	
2	4348555	Sliding block	3	
3	842204	Roller contrast	1	
4	CM1038035	6 rollers kit	6	
5	845607	Complete fixed driving half-pulley	1	
6	832715	Plate	1	
7	008370	screw	3	
8	841213	(Mitsubishi) V-belt	1	
9	831363	Plain washer	1	
10	876403	Flat washer	1	
11	436783	Nut M12	1	
12	483889	Spacer	1	

Group	Engine
Code	01.14
Description	kerekan yang digerakkan
Service	1



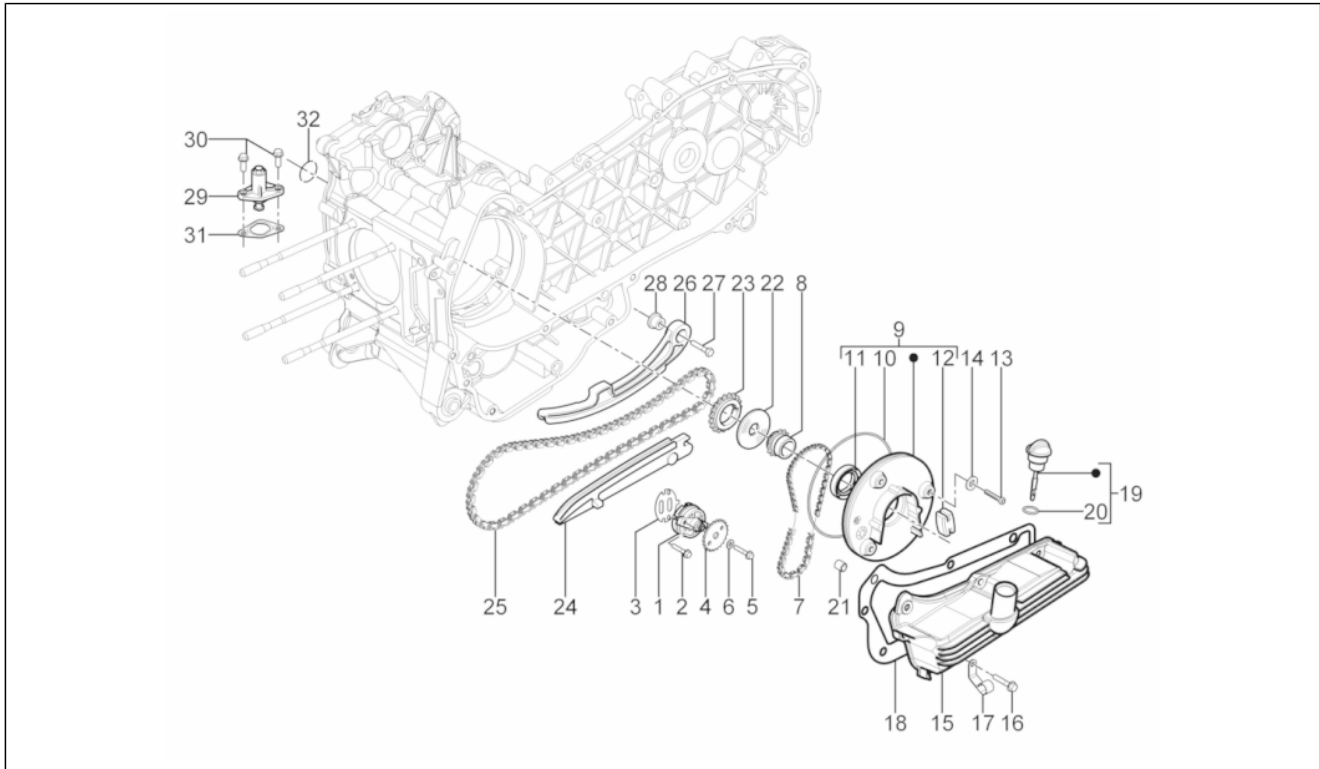
Pos.	Code	Description	Qty	Variants
1	CM162401	Clutch driven pulley assy.	1	
2	830580	Fixed driven half pulley	1	
3	82753R	Bearing 17x30x7	1	
4	82518R	Roller cage 20x29x18	1	
5	483226	Snap ring	1	
6	828717	Guide pin L=12,5	4	
7	879002	Adjustable pulley, half	1	
8	431089	Gasket ring	2	
9	430585	Gasket	2	
10	4310935	Pulley side cap	1	
11	872877	Variator spring	1	
12	487936	Clutch side cap	1	
13	CM1612015	Complete centrifugal clutch assembly	1	
14	433232	Ring nut	1	
15	8440494	Clutch drum	1	
16	274246	Flat washer 22x12,1x1	1	
17	486324	Nut M12x1.25	1	

Group	Engine
Code	01.15
Description	Penutup rumah mesin- Pendingin rumah mesin
Service	1



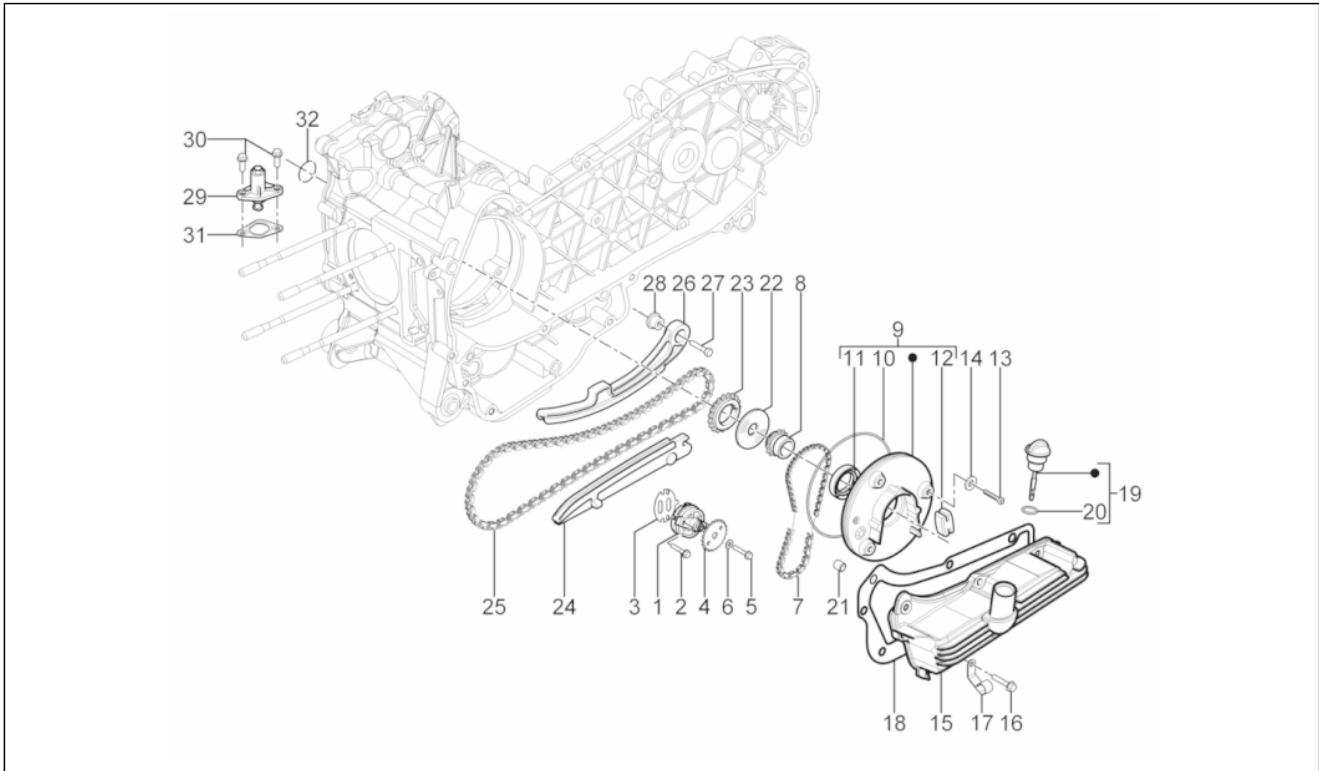
Pos.	Code	Description	Qty	Variants
1	8413805	Transmission cover cpl.	1	
2	874106	Coperchio raffreddamento completo	1	
3	842093	Filtering element	1	
4	258146	Self-tap screw M3x20	2	
5	270793	TBCIC Screw 3,8x16	3	
6	873682	Air deflector	1	
7	873389	Self-tapping screw	4	
8	239388	Pin 6,5x9,5x15	2	
9	478985	Bearing	1	
10	006635	Snap ring	1	
11	431860	Bush Ø8xØ12x8	1	
12	871458	Mounting drift	3	
13	289731	Screw w/ flange M6x30	9	
14	CM155103	Plug	1	
15	844964	Hose clamp	1	

Group	Engine
Code	01.18
Description	pompa oli
Service	1



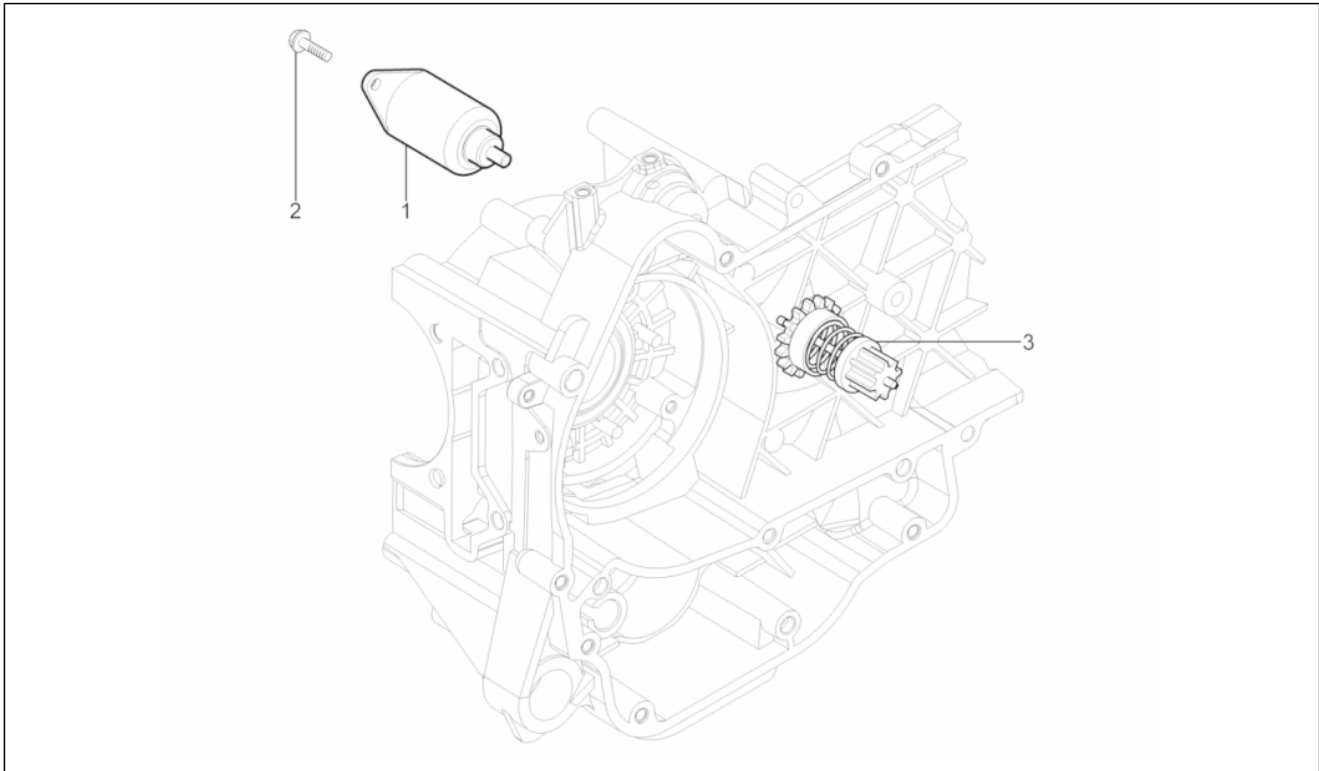
Pos.	Code	Description	Qty	Variants
1	82948R	Oil pump assembly	1	
2	829593	Screw w/ flange M5x35	2	
3	486082	Carter-oil pump gasket	1	
4	287913	Oil pump gear	1	
5	833722	Screw w/ flange M6x14	1	
6	436695	Belleville spring Ø6,4xØ20x2	1	
7	82649R	Oil pump chain	1	
8	82783R	Oil pump control pinion	1	
9	483775	Timing system cover	1	
10	825620	Gasket ring	1	
11	82538R	Gasket ring	1	
12	434345	Oil pump chain drift	1	
13	018623	Self-tapping screw	3	
14	487937	Plain washer	3	
15	843761	Motor oil cup	1	
16	289731	Screw w/ flange M6x30	7	
17	487824	Retainer clamp	1	
18	830128	Sump gasket	1	
19	843364	Oil plug assembly	1	
20	479986	O-ring	1	
21	277916	Locating dowel	3	
22	483918	Oil seal washer	1	
23	82782R	Timing chain pinion	1	
24	828308	Chain tensioner sliding block	1	
25	82643R	Camshaft chain	1	
26	840510	Chain tensioner rod	1	
27	414837	Screw w/ flange M6x25	1	
28	485868	Spacer	1	

Group	Engine
Code	01.18
Description	pompa oli
Service	1



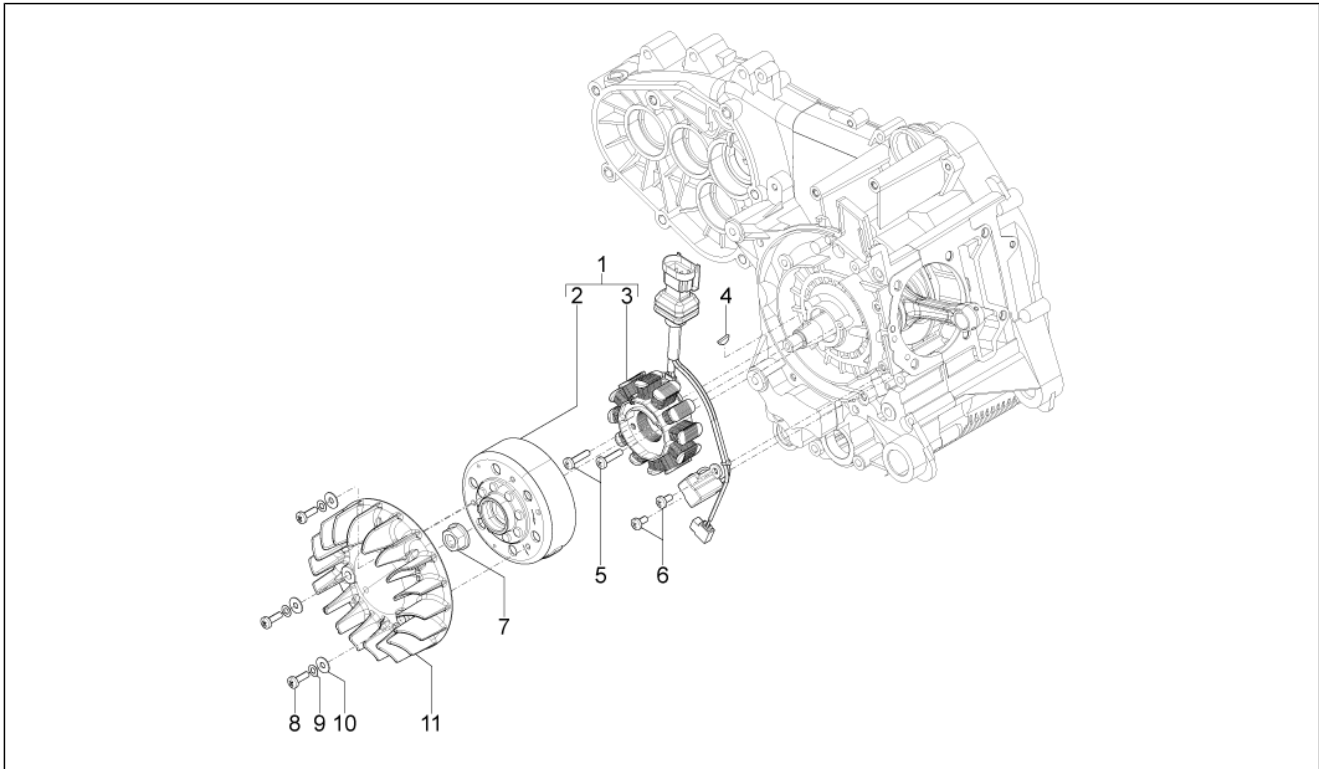
Pos.	Code	Description	Qty	Variants
29	82650R	Complete chain tensioner	1	
30	434541	Screw w/ flange M6x16	2	
31	847928	Gasket	1	
32	825952	Gasket ring	1	

Group	Engine
Code	01.20
Description	Starter - Starter listrik
Service	1



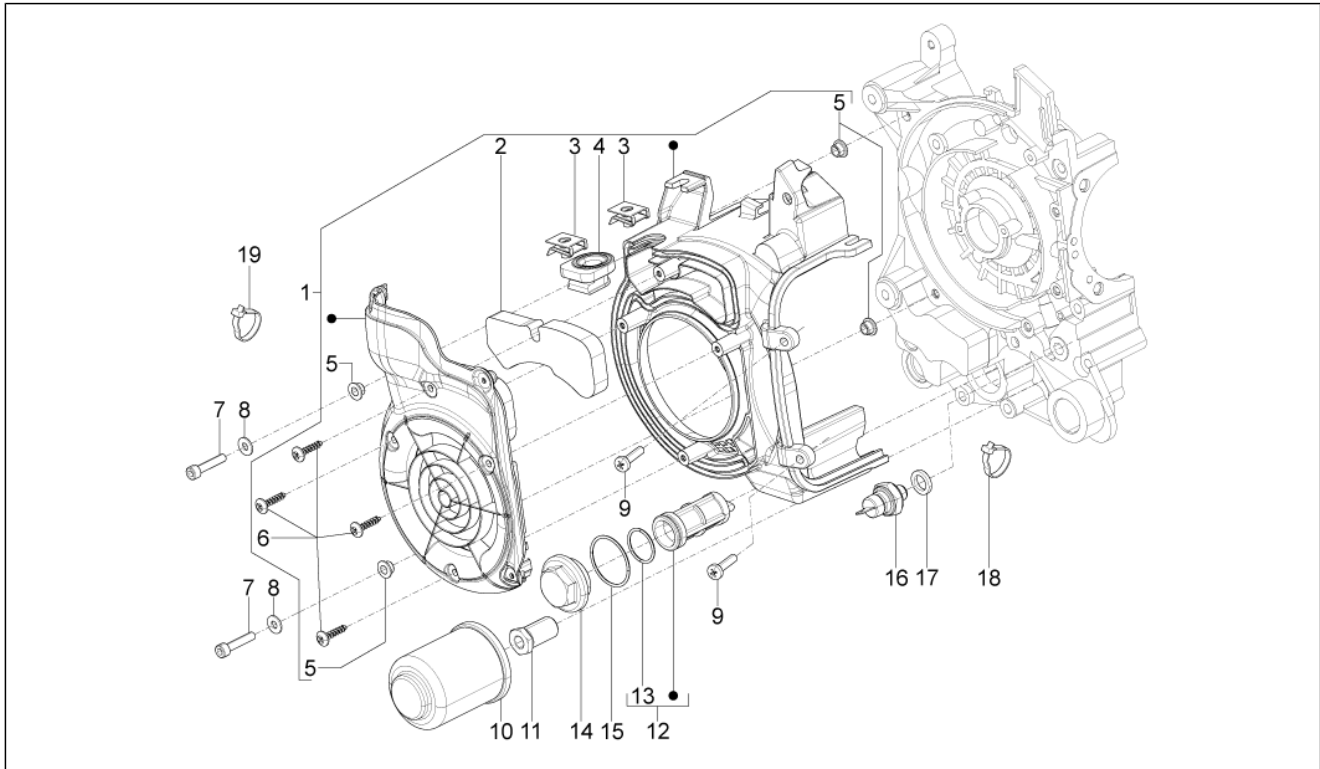
Pos.	Code	Description	Qty	Variants
1	82611R	Starter motor	1	
2	018639	Hex screw M6x20	2	
3	82612R	Starter motor gear	1	

Group	Engine
Code	01.21
Description	Magneto roda gila
Service	1



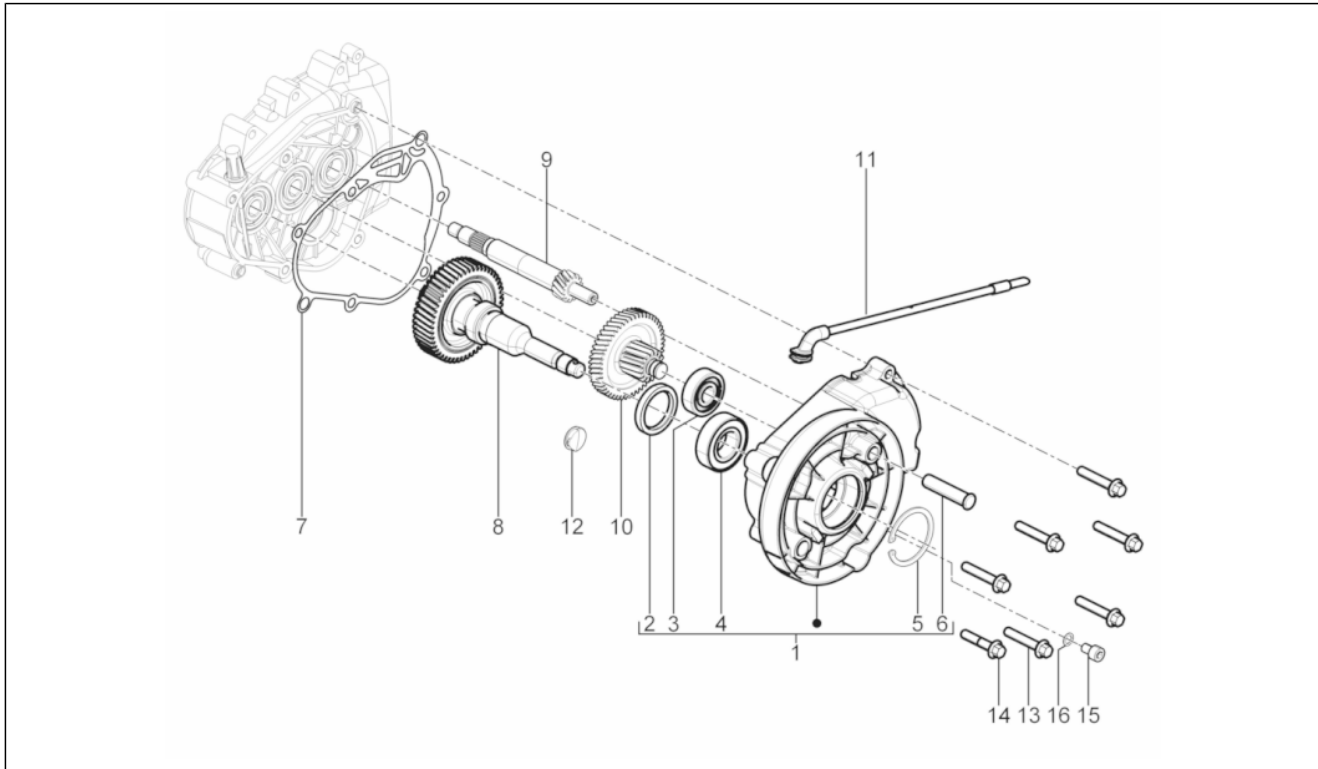
Pos.	Code	Description	Qty	Variants
1	58059R	Complete magneto flywheel	1	
2	486140	(Mitsuba) complete rotor	1	
2	584695	Complete rotor (Kokusan)	1	
3	584690	Complete stator (Kokusan)	1	
4	000267	Transmission key	1	
5	828662	Screw M5x22	2	
6	018575	Screw M5x10	2	
7	436783	Nut M12	1	
8	259151	screw M5x16	3	
9	006975	Washer $\varnothing 5,3 \times \varnothing 10 \times 0,5$	3	
10	060201	Flat washer 5,3x14x1	3	
11	825430	Fan	1	

Group	Engine
Code	01.23
Description	Penutup magneto roda gila - Filter oli
Service	1



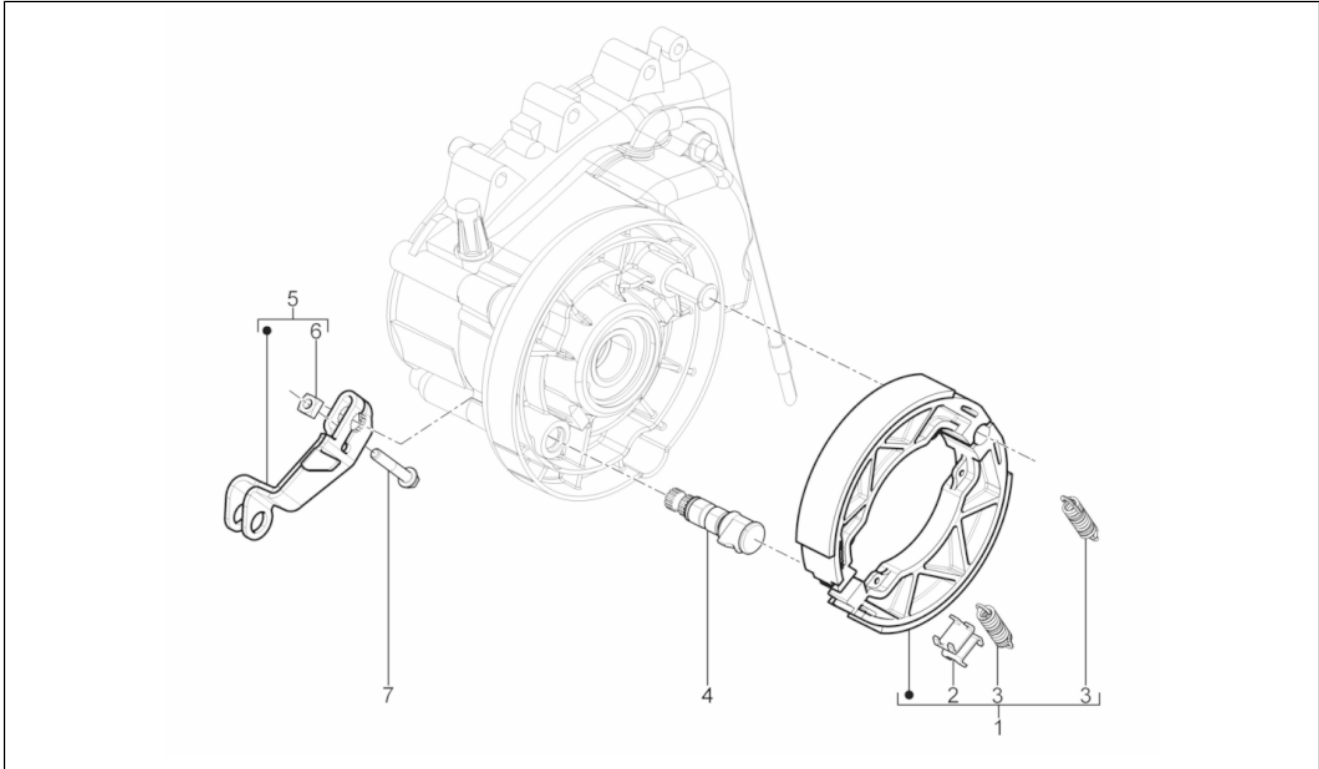
Pos.	Code	Description	Qty	Variants
1	834473	Complete air duct	1	
2	832703	Filtering element	1	
3	254485	Spring plate M6	2	
4	833802	Gasket	1	
5	843757	Bush	4	
6	258146	Self-tap screw M3x20	4	
7	486972	Hex socket screw M5x25	2	
8	828583	Washer Ø5xØ12x1.1	2	
9	828662	Screw M5x22	2	
10	82635R	Oil filter	1	
11	483776	Special screw	1	
12	483841	Intake oil filter	1	
13	288474	O-ring 20,35x1,78	1	
14	826165	Oil filter plug	1	
15	285536	O-ring 31,47x1,78	1	
16	642276	Oil pressure sensor	1	
17	486075	Washer 10.5X16X2.5	1	
18	825481	Hose clamp	1	
19	847778	Hose clamp	1	

Group	Engine
Code	01.25
Description	Unit reduksi
Service	1



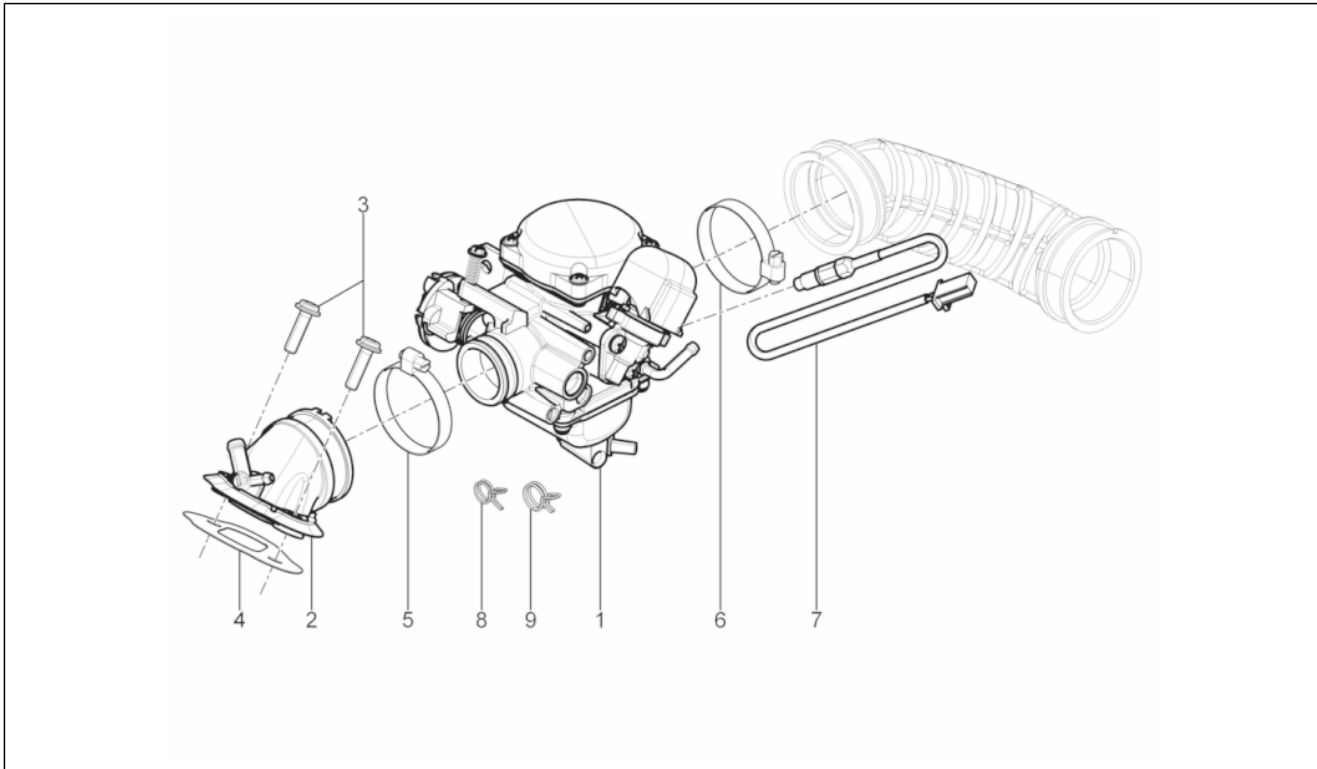
Pos.	Code	Description	Qty	Variants
1	8460245	Complete reducer cover	1	
2	82899R	Gasket ring	1	
3	83018R	Radial ball bearing 15x42x13	1	
4	478984	Radial bearing 25x52x15	1	
5	006652	Snap ring	1	
6	272921	Shoe fulcrum pin	1	
7	847930	Reduction unit cover gasket	1	
8	8417485	Rear wheel axle	1	
9	8738745	Driven pulley shaft	1	
10	8285655	Transmission shaft	1	
11	CM162202	Reduction unit breather pipe assembly	1	
12	487115	Cover	1	
13	487211	Screw w/ flange M8x45	5	
14	873980	Screw w/ flange M8x40	1	
15	269755	Hex socket screw M8x12	1	
16	485703	Washer 8.2x12x1	1	

Group	Engine
Code	01.35
Description	Rem belakang - Rahang rem
Service	1



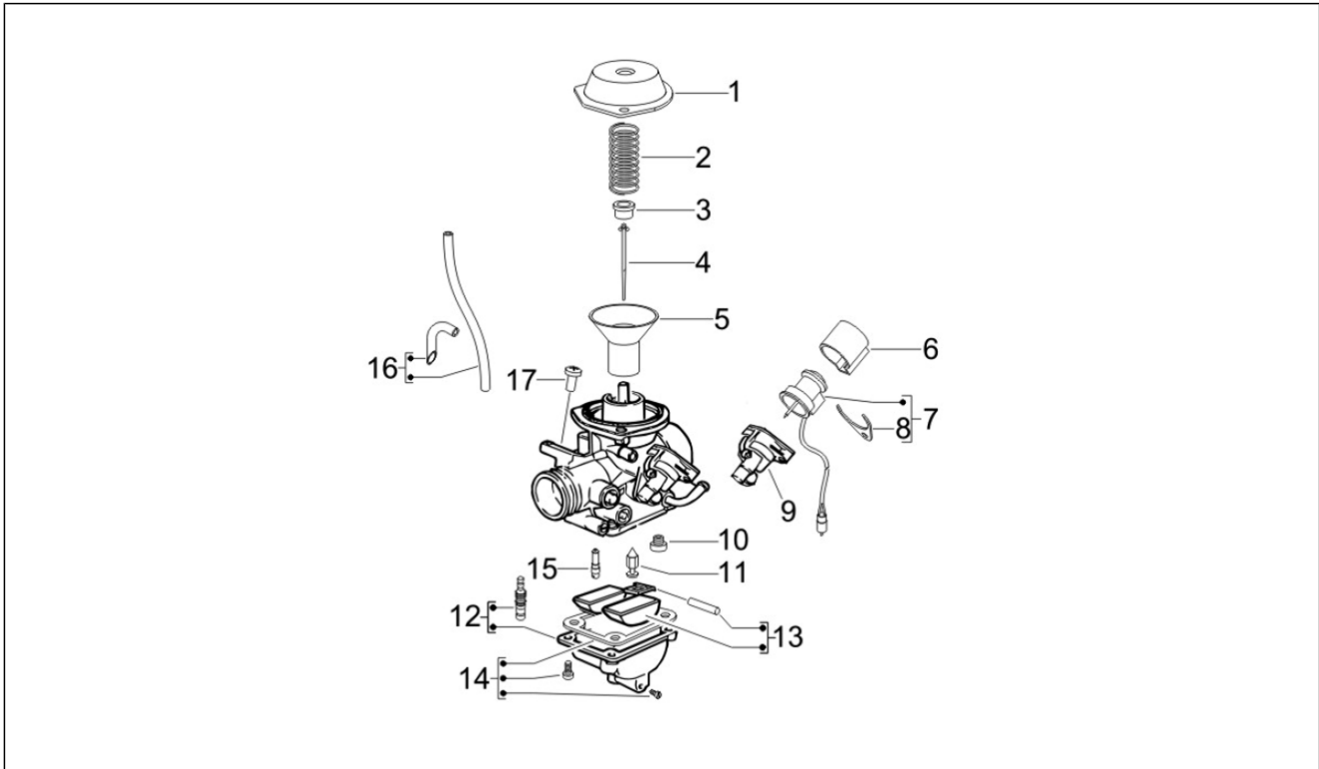
Pos.	Code	Description	Qty	Variants
1	56294R	Pair of brake shoes	1	
2	266724	Plate	2	
3	647384	Brake shoes return spring	2	
4	5641365	Brake lever shaft	1	
5	564215	Rear brake control lever	1	
6	828862	Square nut	1	
7	414838	screw M6x35	1	

Group	Engine
Code	01.39
Description	Karburator, rakitan - Pipa gabungan
Service	1



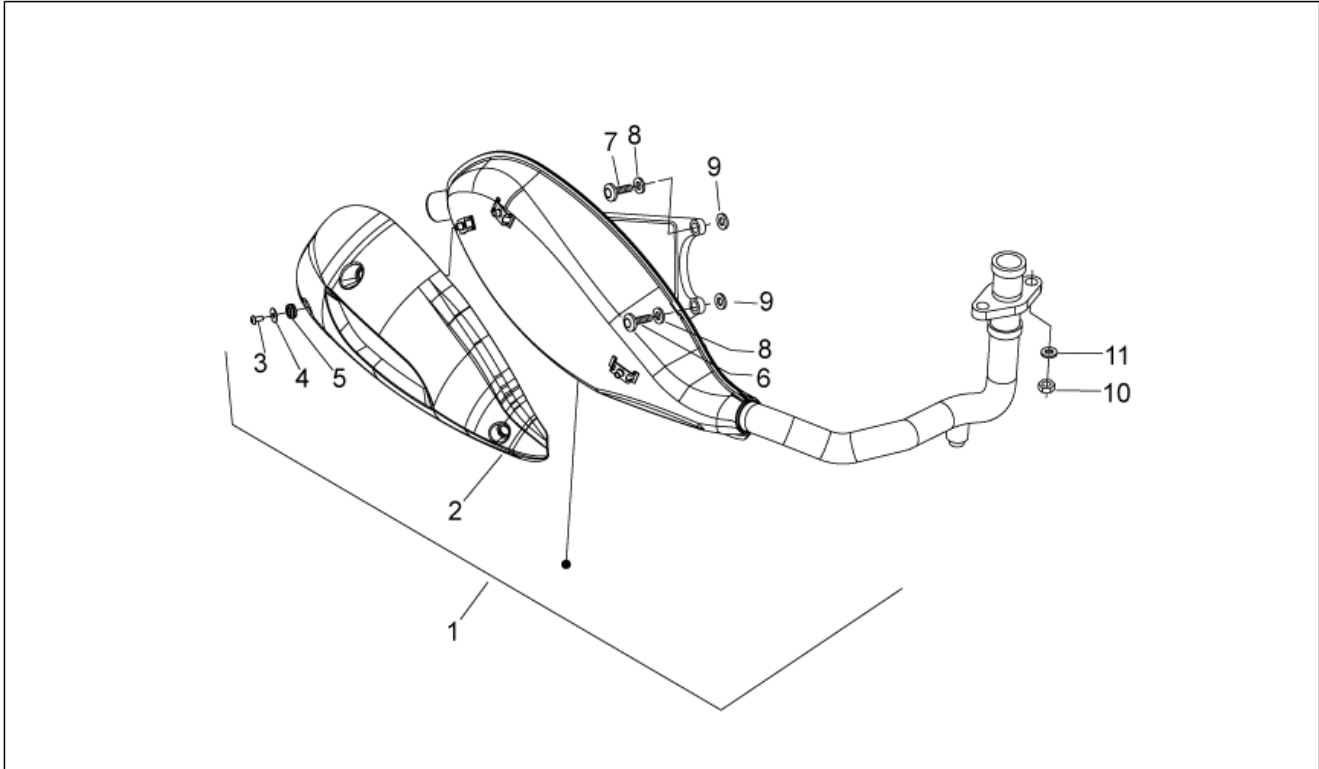
Pos.	Code	Description	Qty	Variants
1	CM156006	Carburetor assembly keihin	1	
2	849465	Induction joint with U.P.	1	
3	828152	screw M6x22	2	
4	871167	Induction joint gasket	1	
5	709532	Hose clamp	1	
6	709532	Hose clamp	1	
7	82961R	Resistor Module	1	
8	CM002902	Hose clamp	1	
9	CM002903	Hose clamp	1	

Group	Engine
Code	01.40
Description	Komponen karburator
Service	1



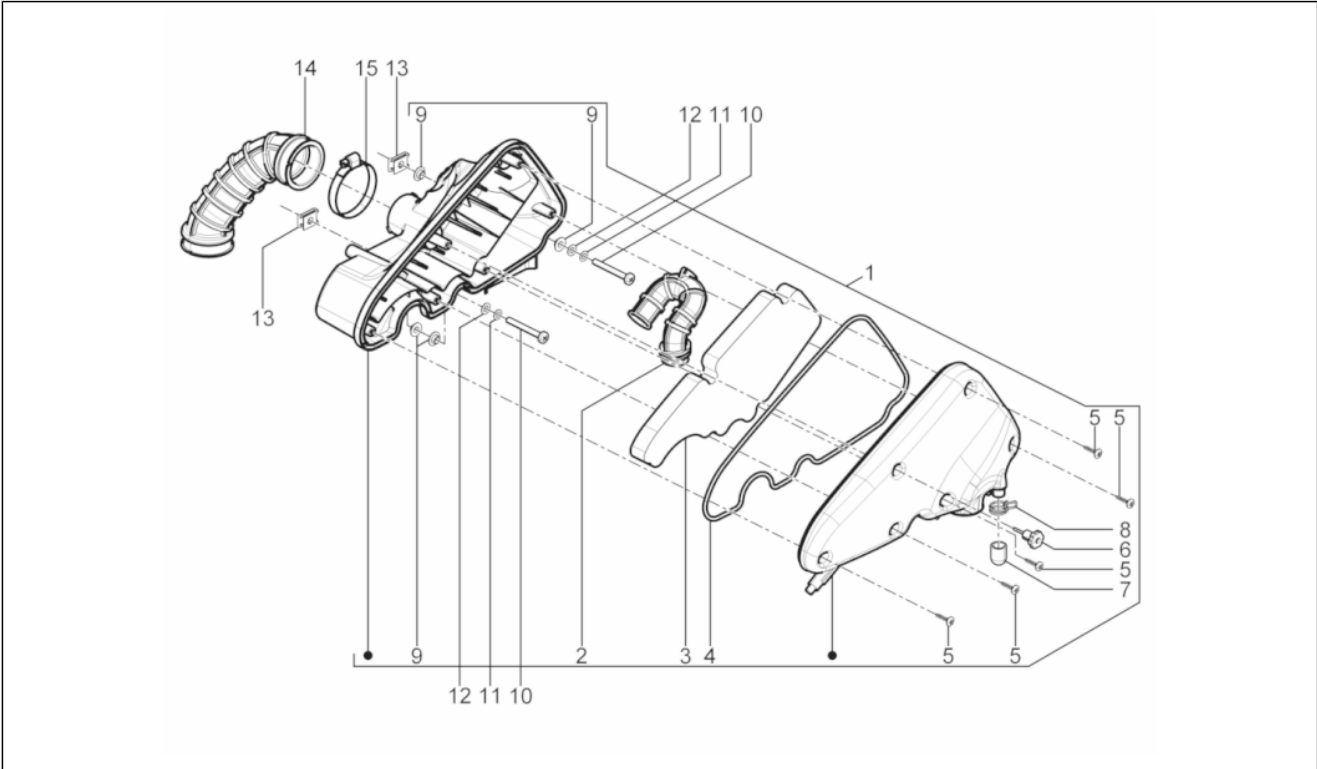
Pos.	Code	Description	Qty	Variants
1	842514	Gas valve cover	1	
2	CM140903	Gas valve spring	1	
3	842517	Tapered pin cap	1	
4	CM140210	Conical pin NJHA	1	
5	CM140302	Diaphragm	1	
6	828844	Cap	1	
7	CM142905	Complete automatic starter	1	
8	828843	Plate	1	
9	842530	Starter device	1	
10	CM129914	Main jet 82	1	
11	828831	Petrol needle	1	
13	842522	Float kit	1	
14	842523	Float chamber kit	1	
14	CM156709	Complete reservoir	1	
15	CM140105	Idle jet	1	
16	842521	Pipes kit	1	
17	CM149404	Adj.min.eng.speed screw	1	

Group	Engine
Code	01.42
Description	Knalpot
Service	1



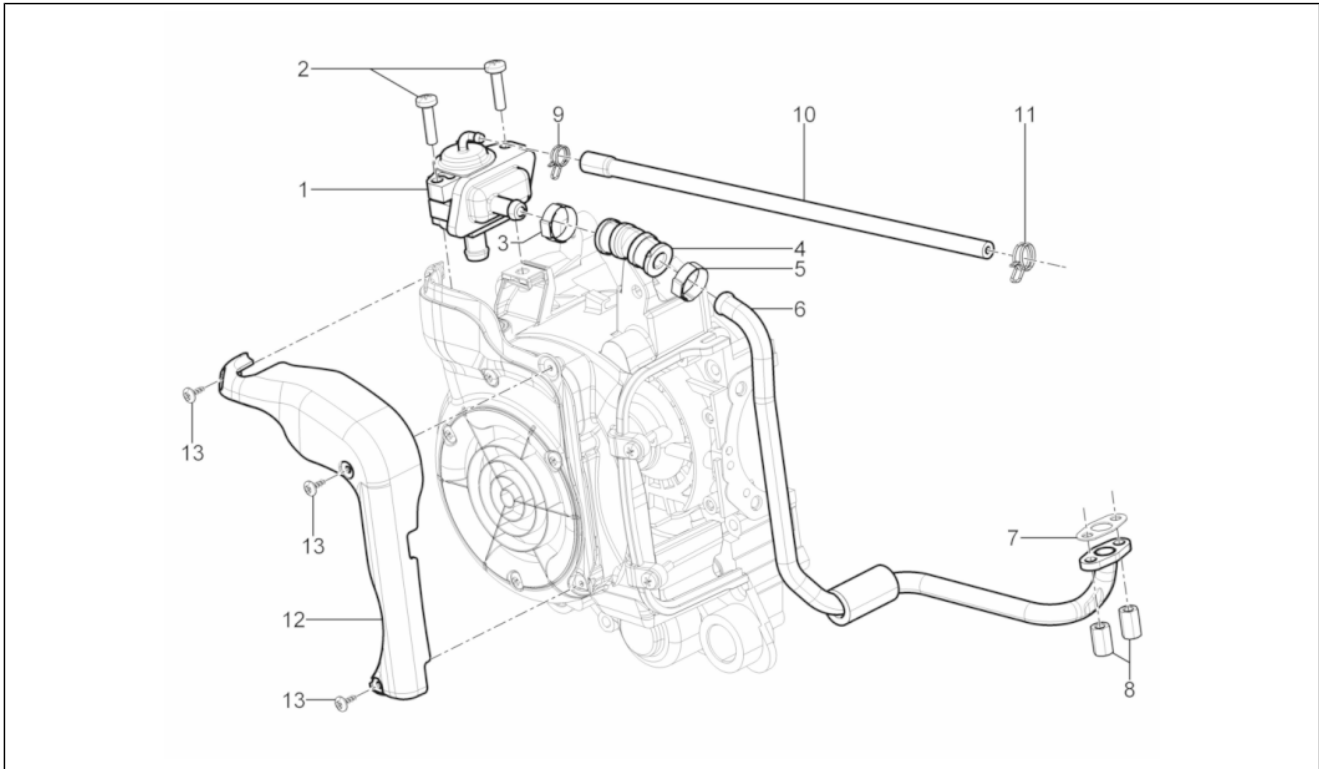
Pos.	Code	Description	Qty	Variants
1	877357	Silencer	1	
2	843841	Guard	1	
3	848766	screw	3	
4	827526	Flat washer	3	
5	487665	Fairlead	3	
6	844470	screw	1	
7	872997	Hex socket screw M8x55	1	
8	834187	Spring washer 16x8,2x2,2	2	
9	825643	Washer	2	
10	436947	Nut	1	
11	013861	Plain washer 8,2x20x2,5	1	

Group	Engine
Code	01.45
Description	Saringan udara
Service	1



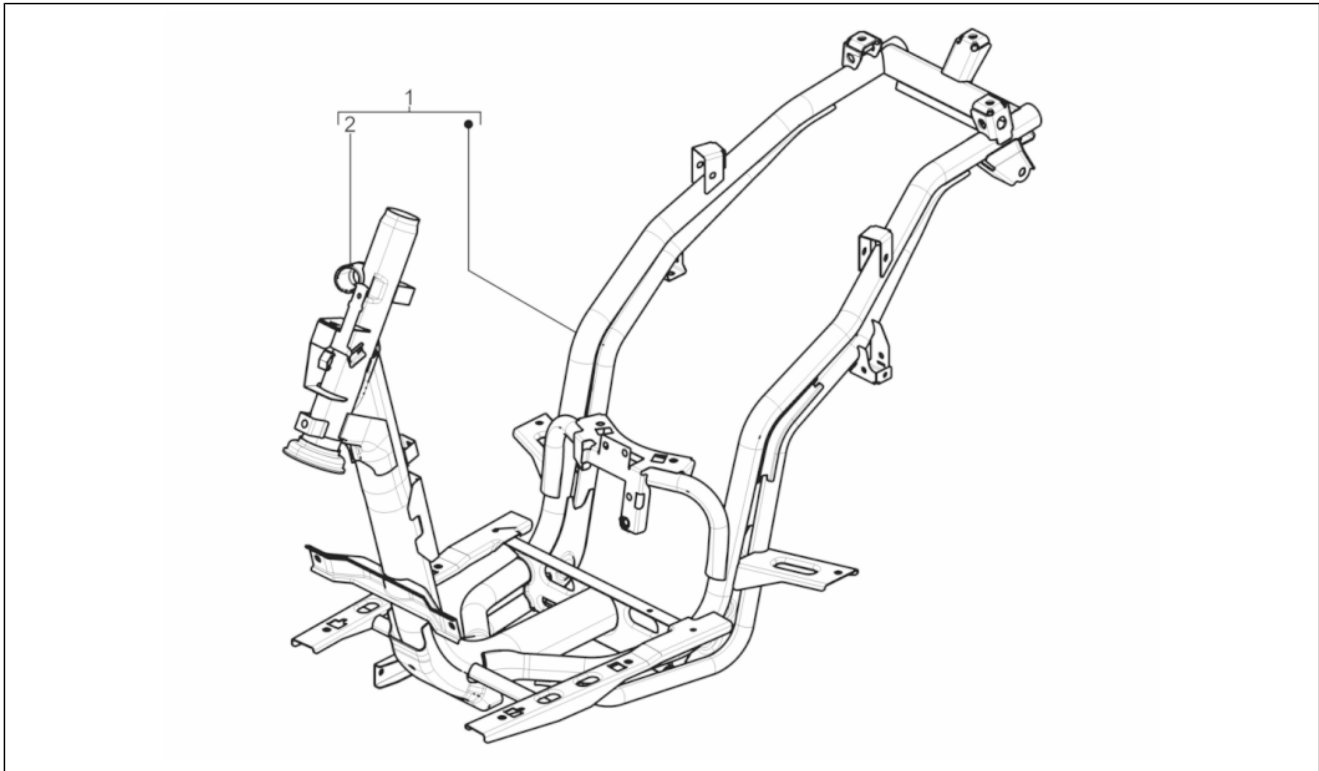
Pos.	Code	Description	Qty	Variants
1	B013216	Complete air cleaner box	1	
2	843849	Air calibration tube	1	
3	843194	Air filter	1	
4	843195	Gasket	1	
5	258146	Self-tap screw M3x20	5	
6	479132	Knob	1	
7	827831	Cap	1	
8	CM002910	Hose clamp	1	
9	830056	Knurled bushing	4	
10	018640	Special cap screw M6x50	2	
11	012533	Notched washer 6,6x11x0	2	
12	003056	Flat washer 6,4x12x1	2	
13	254485	Spring plate M6	2	
14	829001	Filter box carburettor sleeve	1	
15	709532	Hose clamp	1	

Group	Engine
Code	01.46
Description	kotak udara sekunder
Service	1



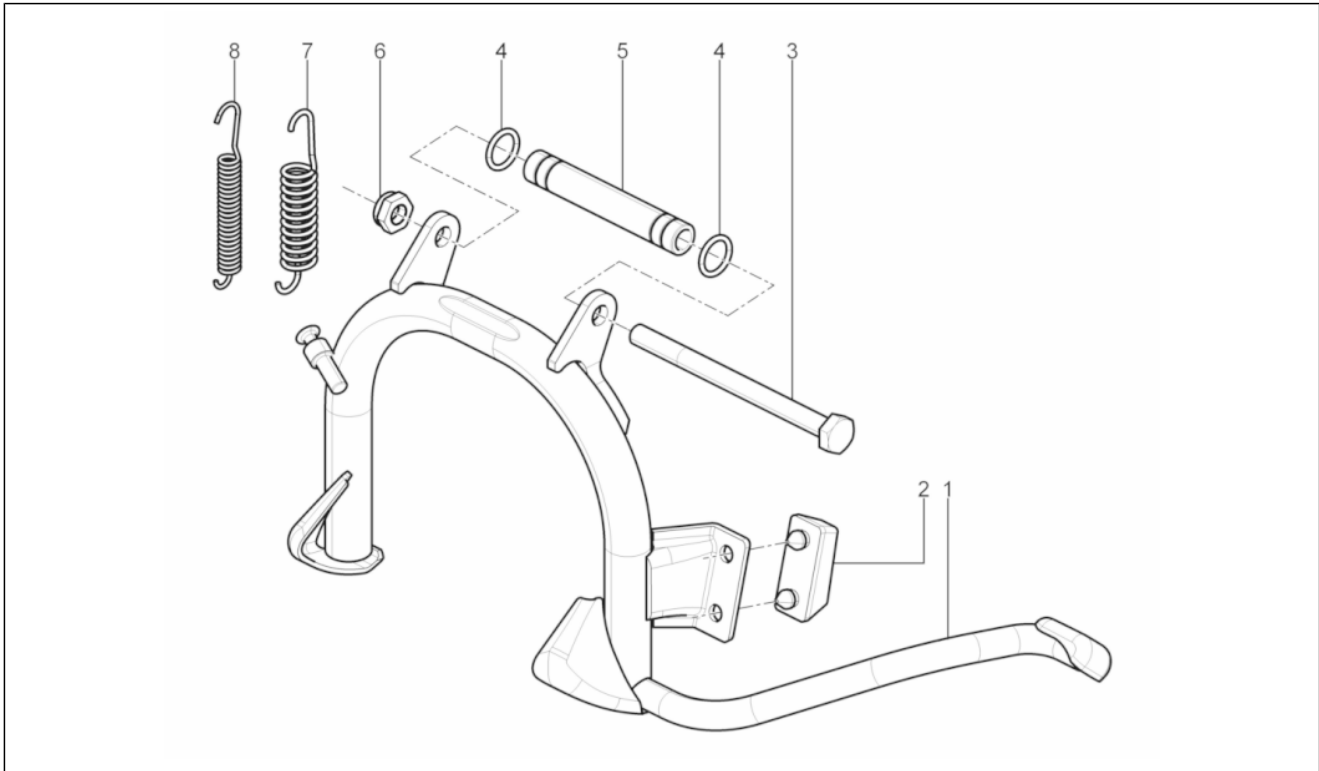
Pos.	Code	Description	Qty	Variants
1	82996R	SAS valve	1	
2	259830	Metric screw M6x20	2	
3	CM001904	Hose clamp	1	
4	831259	s.a.s. joint pipe	1	
5	CM001904	Hose clamp	1	
6	844116	Complete s.a.s. pipe	1	
7	832943	Gasket	1	
8	846766	Nut	2	
9	CM002904	Hose clamp	1	
10	845635	Depression pipe	1	
11	CM002917	Hose clamp	1	
12	834476	Flywheel cover	1	
13	297498	Self tapping screw M3,5x13	3	

Group	Frame - Plastic parts - Coachwork
Code	02.01
Description	Rangka/bodi kendaraan
Service	1



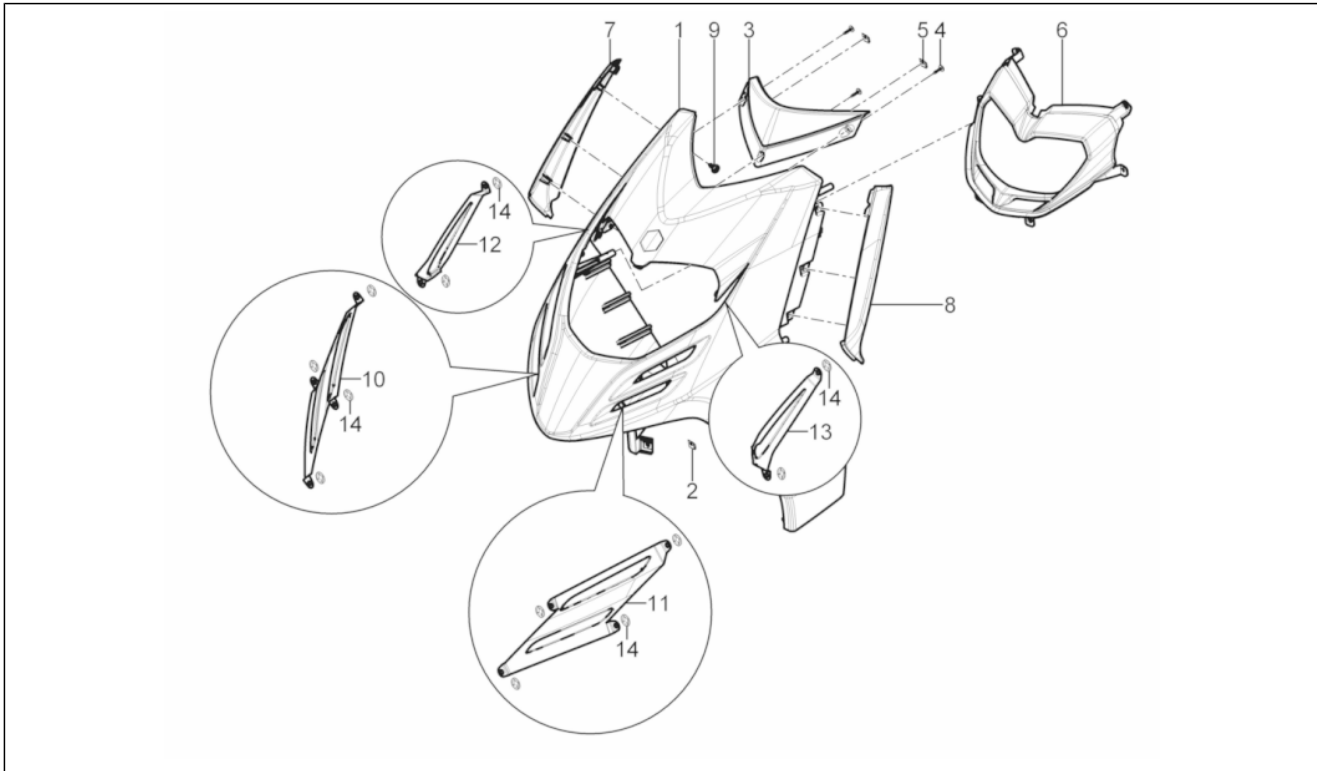
Pos.	Code	Description	Qty	Variants
1	672750	Frame with u.p.	1	
2	298604	Lock support	1	

Group	Frame - Plastic parts - Coachwork
Code	02.25
Description	Standar
Service	1



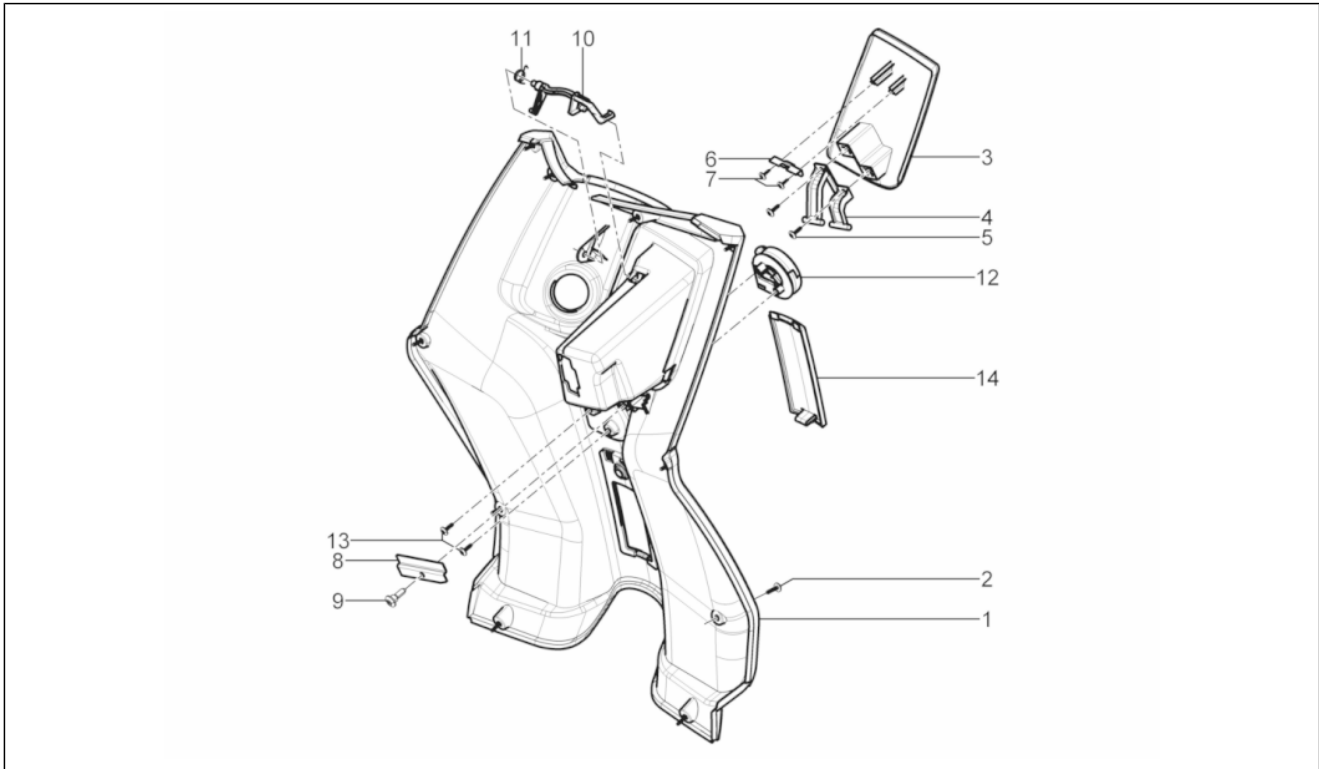
Pos.	Code	Description	Qty	Variants
1	666313	Complete centre stand	1	
2	581560	Pad	1	
3	030115	Hex screw M10x130	1	
4	273754	O-ring	2	
5	582298	Spacer	1	
6	002440	Self locking nut M10	1	
7	581249	Spring	1	
8	581248	Spring	1	

Group	Frame - Plastic parts - Coachwork
Code	02.26
Description	Perisai depan
Service	1



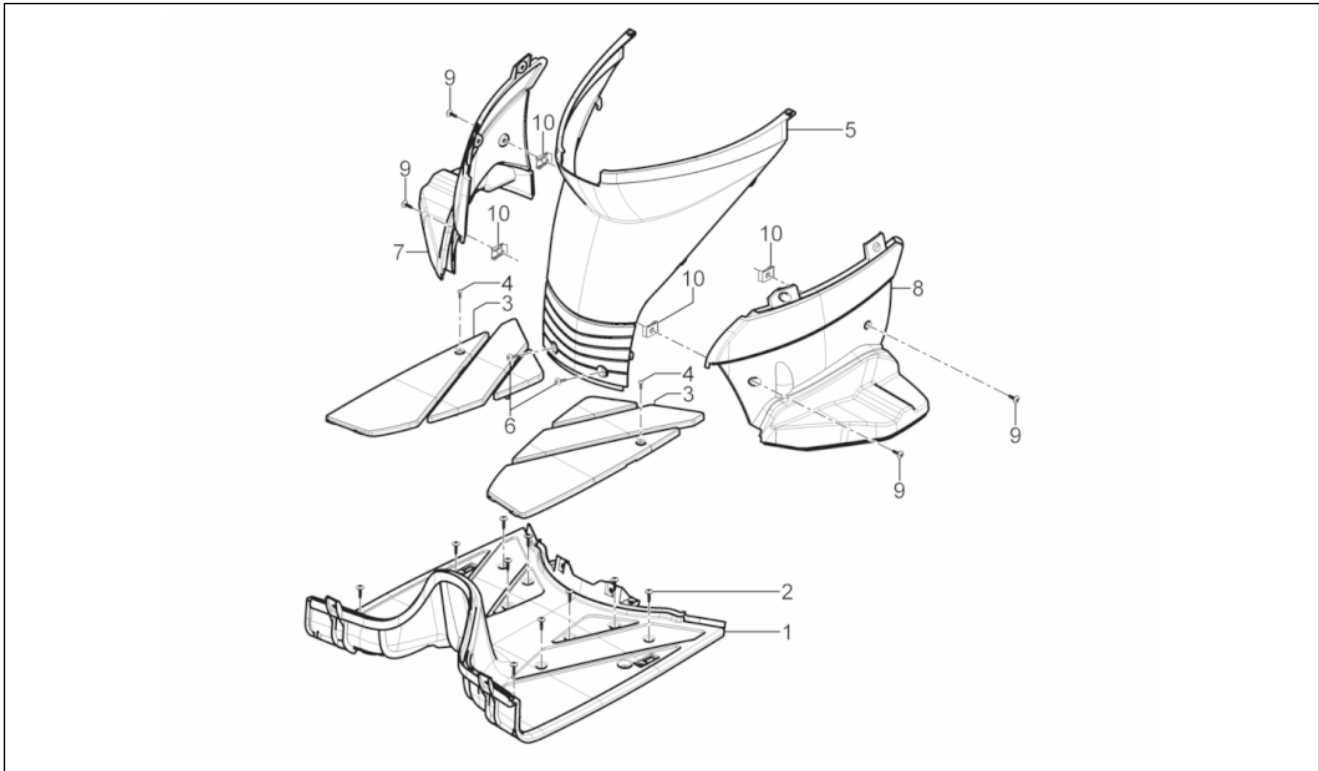
Pos.	Code	Description	Qty	Variants
1	6574610087	Front shield	1	Year:2012[B], 2013[C], 2014[D] Vehicle colour:White[white]
1	6574610090	Front shield	1	Year:2012[B], 2013[C], 2014[D] Vehicle colour:BLACK[black]
1	65746100AO	Front shield	1	Year:2012[B], 2013[C], 2014[D] Vehicle colour:Orange[orange]
1	65746100EZ	Front shield	1	Year:2014[D] Vehicle colour:Grey[gray]
2	184142	Spring plate	6	
3	67207100XH1	Shield upper closing	1	
4	270723	Self tapping screw	3	
5	184142	Spring plate	2	
6	65746800XH1	Front headlight surround	1	
7	65746300XH1	Deflector r.h.	1	
8	65746200XH1	Deflector l.h.	1	
9	297498	Self tapping screw M3,5x13	6	
10	664307	Right lower shield metallic retina	1	
11	664309	Left lower shield metallic retina	1	
12	664306	Right upper shield metallic retina	1	
13	664308	Left upper shield metallic retina	1	
14	664454	Washer	12	

Group	Frame - Plastic parts - Coachwork
Code	02.30
Description	Kotak penyimpanan depan - Panel pelindung lutut
Service	1



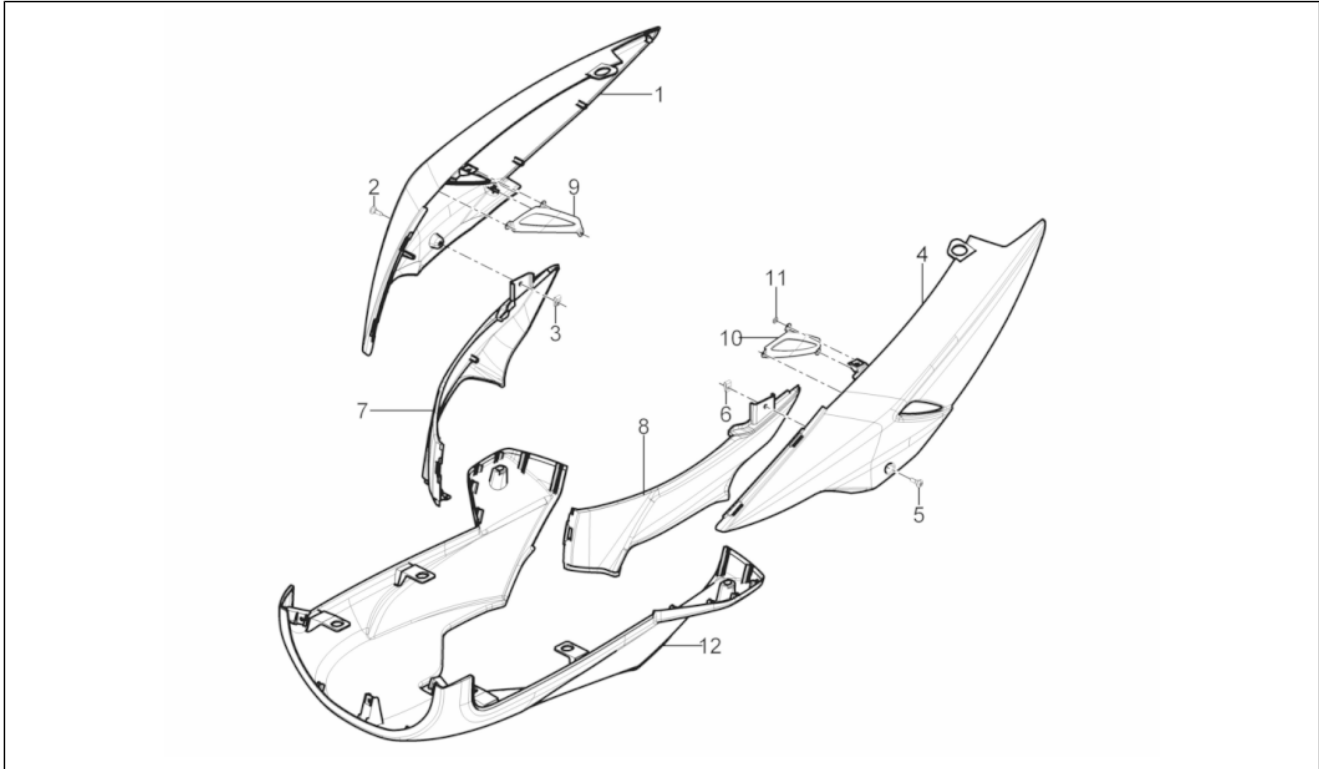
Pos.	Code	Description	Qty	Variants
1	85643300XH1	Internal shield, grey	1	
2	270723	Self tapping screw	10	
3	85647100XH1	Glove comp.door, grey	1	
4	856472	Hinge	1	
5	259349	Screw M4,2x13	2	
6	252420	Square	1	
7	297498	Self tapping screw M3,5x13	2	
8	856473	Plate	1	
9	575249	Screw with shank M6	1	
10	856437	Lockup hook door	1	
11	257617	Spring	1	
12	575819	Bag holder hook	1	
13	259349	Screw M4,2x13	2	
14	85647400XH1	Chassis number inspection cover	1	

Group	Frame - Plastic parts - Coachwork
Code	02.31
Description	Penutup tengah - Pijakan kaki
Service	1



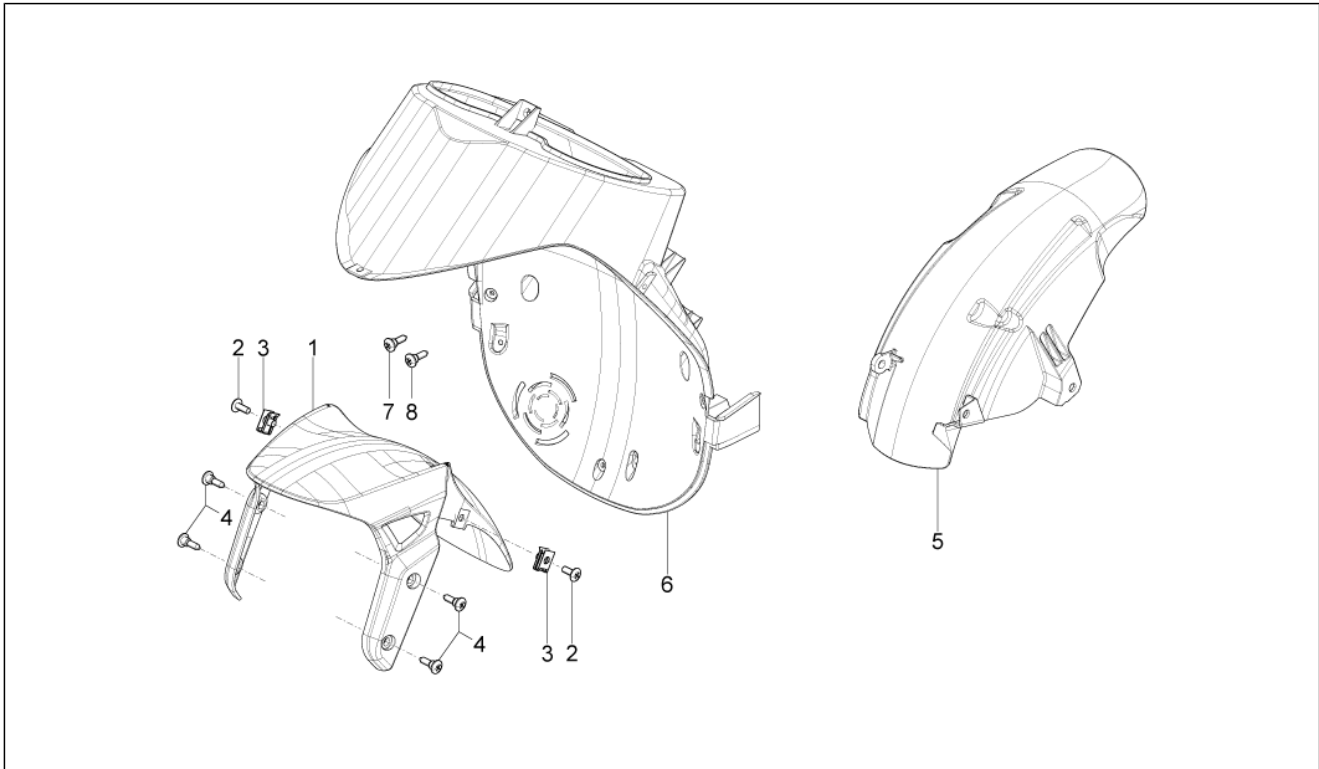
Pos.	Code	Description	Qty	Variants
1	85306100XH1	Footrest	1	
2	270793	TBCIC Screw 3,8x16	10	
3	85824300XH1	Carpets kit grey	1	
4	268596	Self tapping screw D4x13	2	
5	85643100XH1	Upper shield lockup, grey Pha	1	
6	270723	Self tapping screw	2	
7	85645000XH1	RH rear footrest, grey	1	
8	85645100XH1	LH rear footrest, grey	1	
9	259349	Screw M4,2x13	4	
10	254485	Spring plate M6	4	

Group	Frame - Plastic parts - Coachwork
Code	02.32
Description	Penutup samping - Spoiler
Service	1



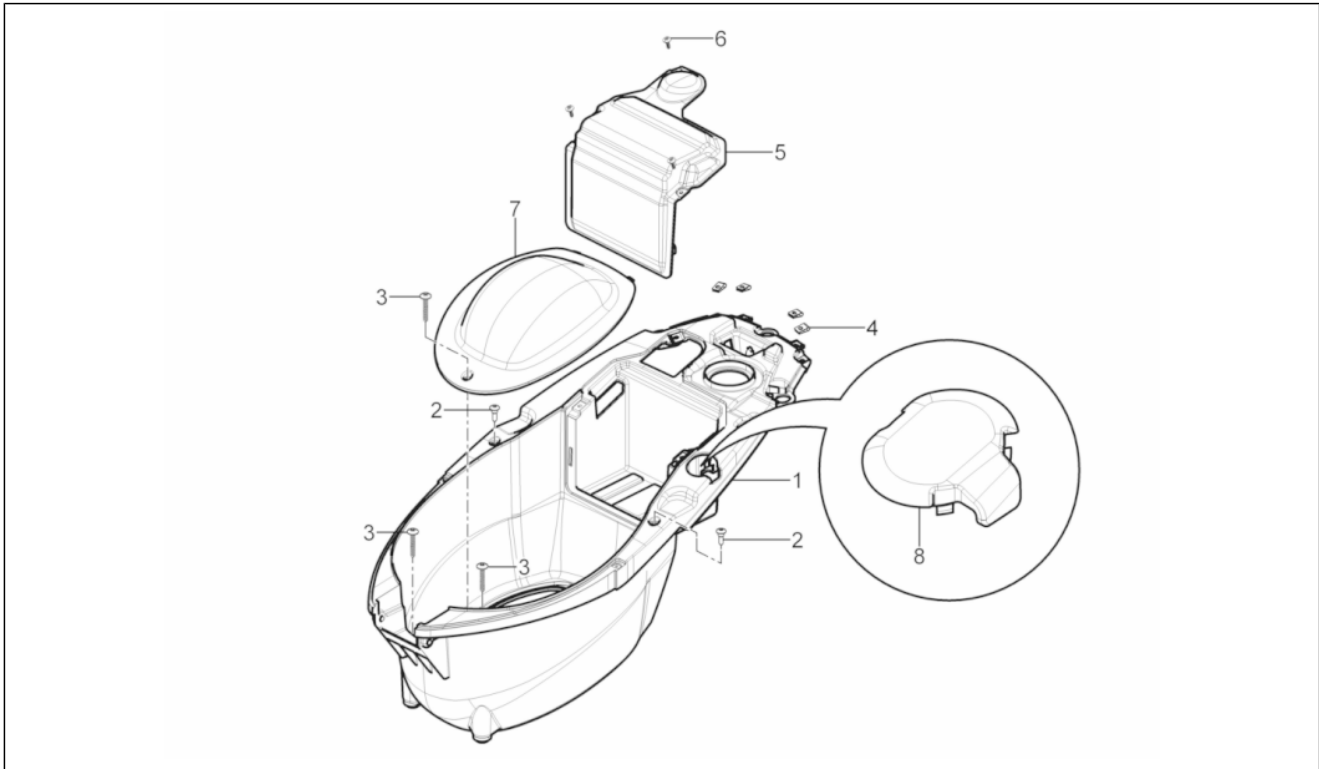
Pos.	Code	Description	Qty	Variants
1	6574670087	Fairing,rh.	1	Year:2012[B], 2013[C], 2014[D] Vehicle colour:White[white]
1	6574670090	Fairing,rh.	1	Year:2012[B], 2013[C], 2014[D] Vehicle colour:BLACK[black]
1	65746700AO	Fairing,rh.	1	Year:2012[B], 2013[C], 2014[D] Vehicle colour:Orange[orange]
1	65746700EZ	Fairing,rh.	1	Year:2014[D] Vehicle colour:Grey[gray]
2	860536	Hex socket screw	1	
3	184142	Spring plate	1	
4	6574660087	Fairing,lh.	1	Year:2012[B], 2013[C], 2014[D] Vehicle colour:White[white]
4	6574660090	Fairing,lh.	1	Year:2012[B], 2013[C], 2014[D] Vehicle colour:BLACK[black]
4	65746600AO	Fairing,lh.	1	Year:2012[B], 2013[C], 2014[D] Vehicle colour:Orange[orange]
4	65746600EZ	Fairing,lh.	1	Year:2014[D] Vehicle colour:Grey[gray]
5	860536	Hex socket screw	1	
6	184142	Spring plate	1	
7	85645200XH1	RH Covers,grey Phantom	1	
8	85645300XH1	Left closing Phantom Grey	1	
9	664303	Right side metallic retina	1	
10	664305	Left side metallic retina	1	
11	664454	Washer	6	
12	1B00054200XH1	Sottopianale fotoinciso non verniciato	1	Year:2014[D]
12	856454	Blank Underpanel	1	Year:2012[B], 2013[C]
12	8564540090	Underpanel, black	1	Year:2012[B], 2013[C]

Group	Frame - Plastic parts - Coachwork
Code	02.33
Description	Rumah roda - Pelindung lumpur
Service	1



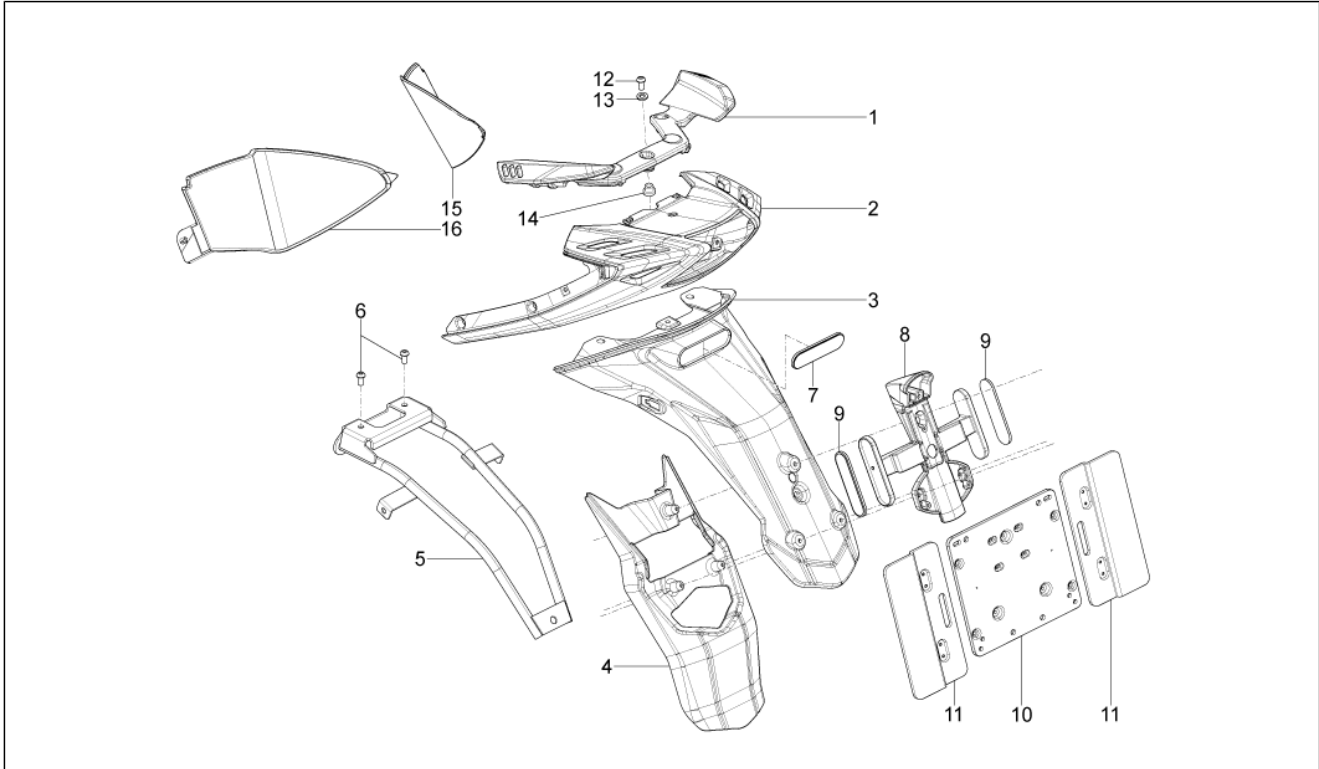
Pos.	Code	Description	Qty	Variants
1	66609100XH1	Front mudguard	1	
2	272836	Screw M6x16	2	
3	254485	Spring plate M6	2	
4	575249	Screw with shank M6	4	
5	67235400XH1	Rear mudguard	1	
6	67207000XH1	Wheel compartment	1	
7	270723	Self tapping screw	10	
8	575249	Screw with shank M6	3	

Group	Frame - Plastic parts - Coachwork
Code	02.34
Description	Tempat helm - Jok bawah
Service	1



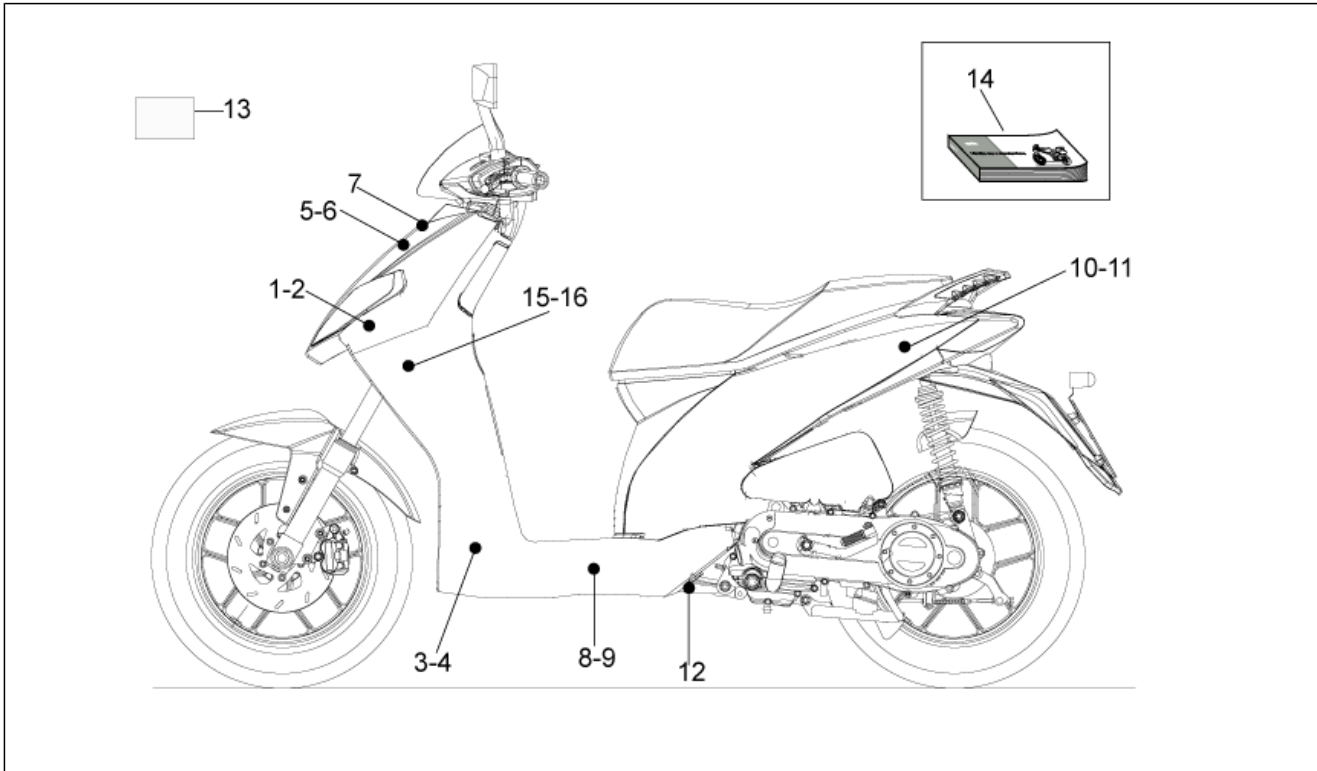
Pos.	Code	Description	Qty	Variants
1	67219000XH1	Helmet compartment	1	
2	575249	Screw with shank M6	2	
3	259372	Self tapping screw M4,2x25	3	
4	184142	Spring plate	4	
5	85299000XH1	Battery cover	1	
6	259349	Screw M4,2x13	3	
7	85270000XH1	Inspection cover, grey	1	
8	890103	Oil tank compartment cover	1	

Group	Frame - Plastic parts - Coachwork
Code	02.37
Description	Penutup belakang - Pelindung percikan
Service	1



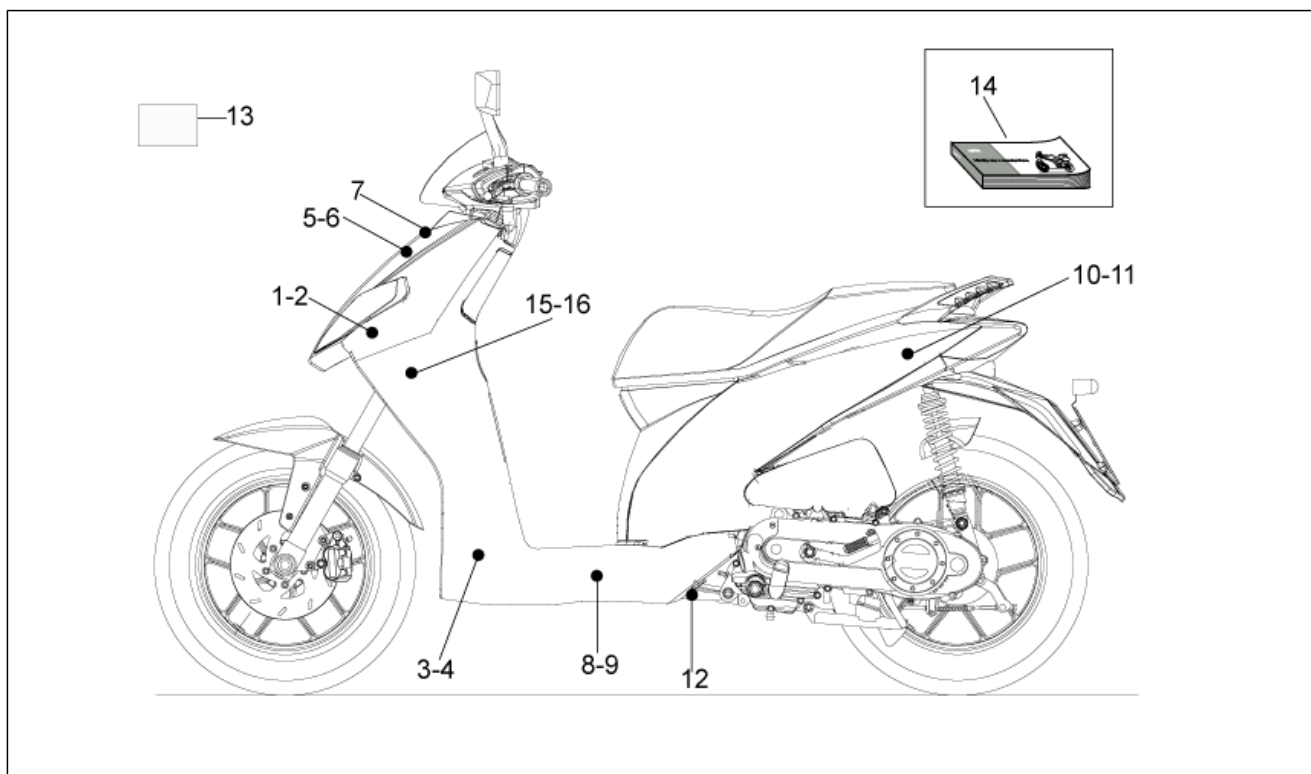
Pos.	Code	Description	Qty	Variants
1	6574720090	Passenger handle	1	
2	65746900XH1	Fairings rear closing	1	
3	65747300XH1	Rear splash guard	1	
4	664310	Splash guard extension	1	
5	664434	Licence plate support sub-frame	1	
6	582428	Hex socket screw	2	
7	582058	Rear retroreflector	1	
8	642018	Number plate holder support	1	
9	293556	Lateral reflector	2	
10	584884	Number plate holder	1	
11	584877	Number-plate extension	2	
12	564606	Hex socket screw	3	
13	003058	Plain washer 15x8,4x1,5	3	
14	856459	Bush	3	
15	672186	RH rear wall	1	
16	672185	LH rear wall	1	

Group	Frame - Plastic parts - Coachwork
Code	02.38
Description	Pelat - emblem
Service	1



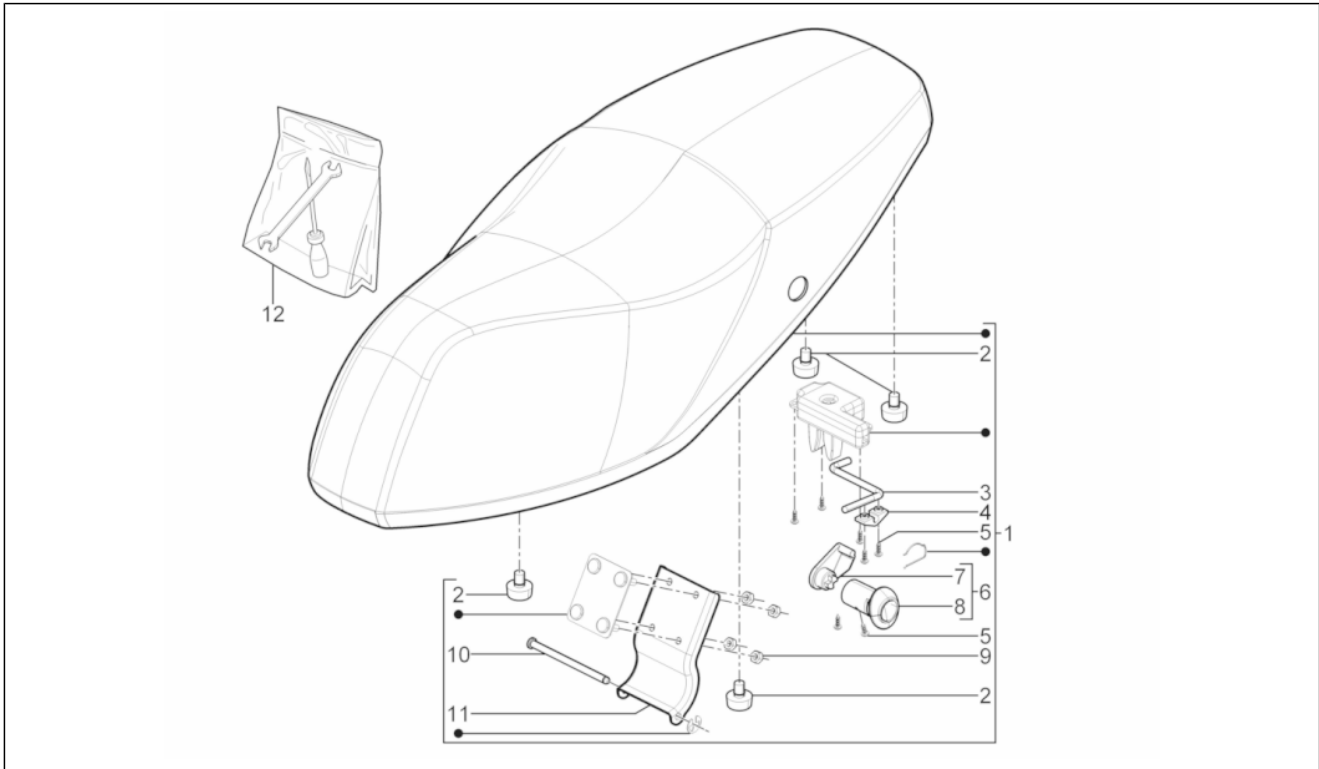
Pos.	Code	Description	Qty	Variants
1	677077	RH Front fairing dec. "125"	1	Year:2012[B], 2013[C], 2014[D] Vehicle colour:Grey[gray], Orange[orange], White[white]
1	677079	RH Front fairing dec. "125"	1	Year:2012[B], 2013[C], 2014[D] Vehicle colour:BLACK[black]
2	677078	LH Front fairing dec. "125"	1	Year:2012[B], 2013[C], 2014[D] Vehicle colour:Grey[gray], Orange[orange], White[white]
2	677080	LH Front fairing dec. "125"	1	Year:2012[B], 2013[C], 2014[D] Vehicle colour:BLACK[black]
3	677060	Right front shield decal SR	1	Year:2012[B], 2013[C], 2014[D] Vehicle colour:Grey[gray], Orange[orange], White[white]
3	677071	Right front shield decal SR	1	Year:2012[B], 2013[C], 2014[D] Vehicle colour:BLACK[black]
4	677061	Left front shield decal SR	1	Year:2012[B], 2013[C], 2014[D] Vehicle colour:Grey[gray], Orange[orange], White[white]
4	677072	Left front shield decal SR	1	Year:2012[B], 2013[C], 2014[D] Vehicle colour:BLACK[black]
5	677058	Right front shield band decal	1	Year:2012[B], 2013[C], 2014[D] Vehicle colour:Grey[gray], Orange[orange], White[white]
5	677069	Right front shield band decal	1	Year:2012[B], 2013[C], 2014[D] Vehicle colour:BLACK[black]
6	677059	Left front shield band decal	1	Year:2012[B], 2013[C], 2014[D] Vehicle colour:Grey[gray], Orange[orange], White[white]
6	677070	Left front shield band decal	1	Year:2012[B], 2013[C], 2014[D] Vehicle colour:BLACK[black]
7	677062	Front shield decal "aprilia italia"	1	
8	677063	Right under-footrest decal "aprilia"	1	Year:2012[B], 2013[C]
9	677064	Left under-footrest decal "aprilia"	1	Year:2012[B], 2013[C]
10	677065	Right tail fairing number plate decal "SR Motard"	1	Year:2012[B], 2013[C], 2014[D] Vehicle colour:Grey[gray], Orange[orange], White[white]
10	677073	Right tail fairing number plate decal "SR Motard"	1	Year:2012[B], 2013[C], 2014[D] Vehicle colour:BLACK[black]
11	677066	Left tail fairing number plate decal "SR Motard"	1	Year:2012[B], 2013[C], 2014[D]

Group	Frame - Plastic parts - Coachwork
Code	02.38
Description	Pelat - emblem
Service	1



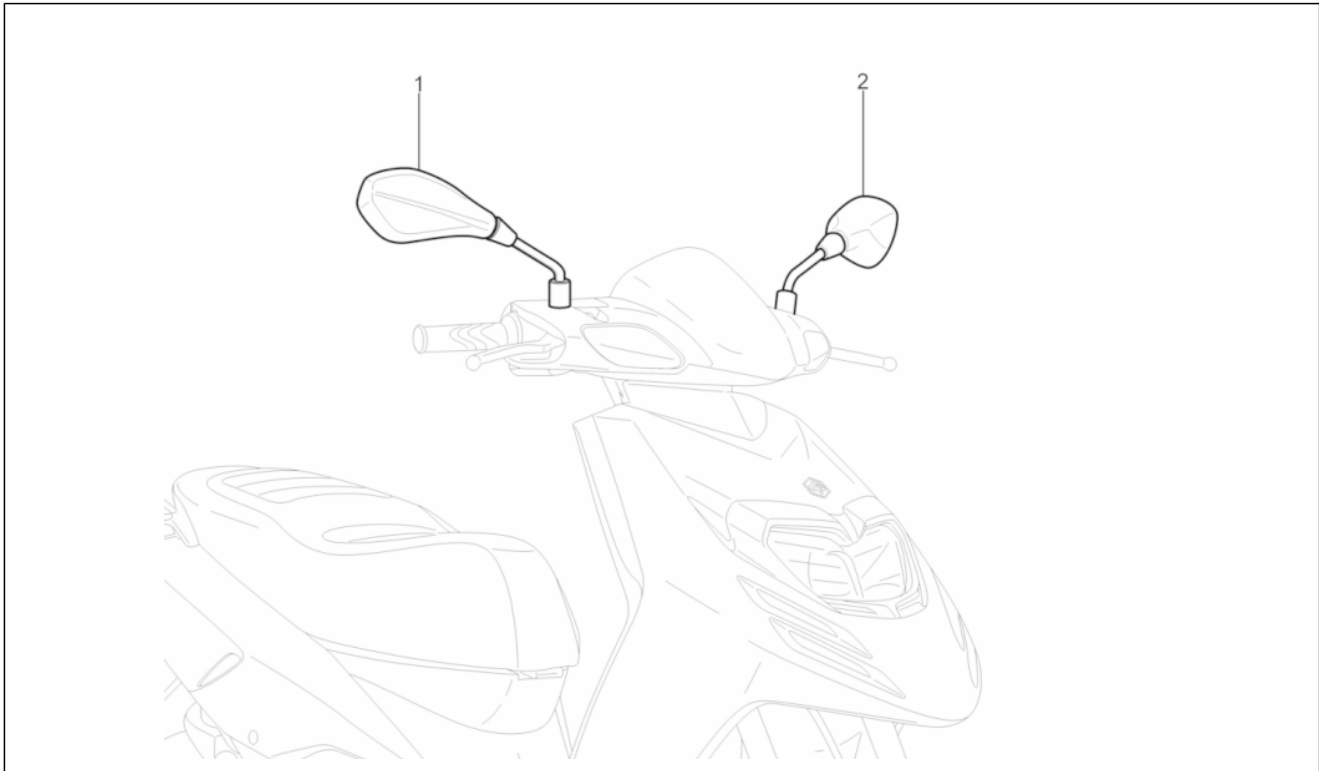
Pos.	Code	Description	Qty	Variants
				Vehicle colour:Grey[gray], Orange[orange], White[white]
11	677074	Left tail fairing number plate decal "SR Motard"	1	Year:2012[B], 2013[C], 2014[D] Vehicle colour:BLACK[black]
12	895839	""Eni"" label"	2	
13	672200	Name plate "Piaggio Technology"	1	
14	677536	[...]	1	Country:Australia[AU], europe[EU], New Zealand[NZ]
14	677537	[...]	1	Country:Corea[CO], Japan[J]
15	5A000289	Right under-footrest decal "aprilia"	1	Year:2014[D] Vehicle colour:Grey[gray], White[white]
15	5A000291	Right under-footrest decal "aprilia"	1	Year:2014[D] Vehicle colour:BLACK[black]
16	5A000290	Left under-footrest decal "aprilia"	1	Year:2014[D] Vehicle colour:Grey[gray], White[white]
16	5A000292	Left under-footrest decal "aprilia"	1	Year:2014[D] Vehicle colour:BLACK[black]

Group	Frame - Plastic parts - Coachwork
Code	02.39
Description	Jok/tempat duduk - Tool roll
Service	1



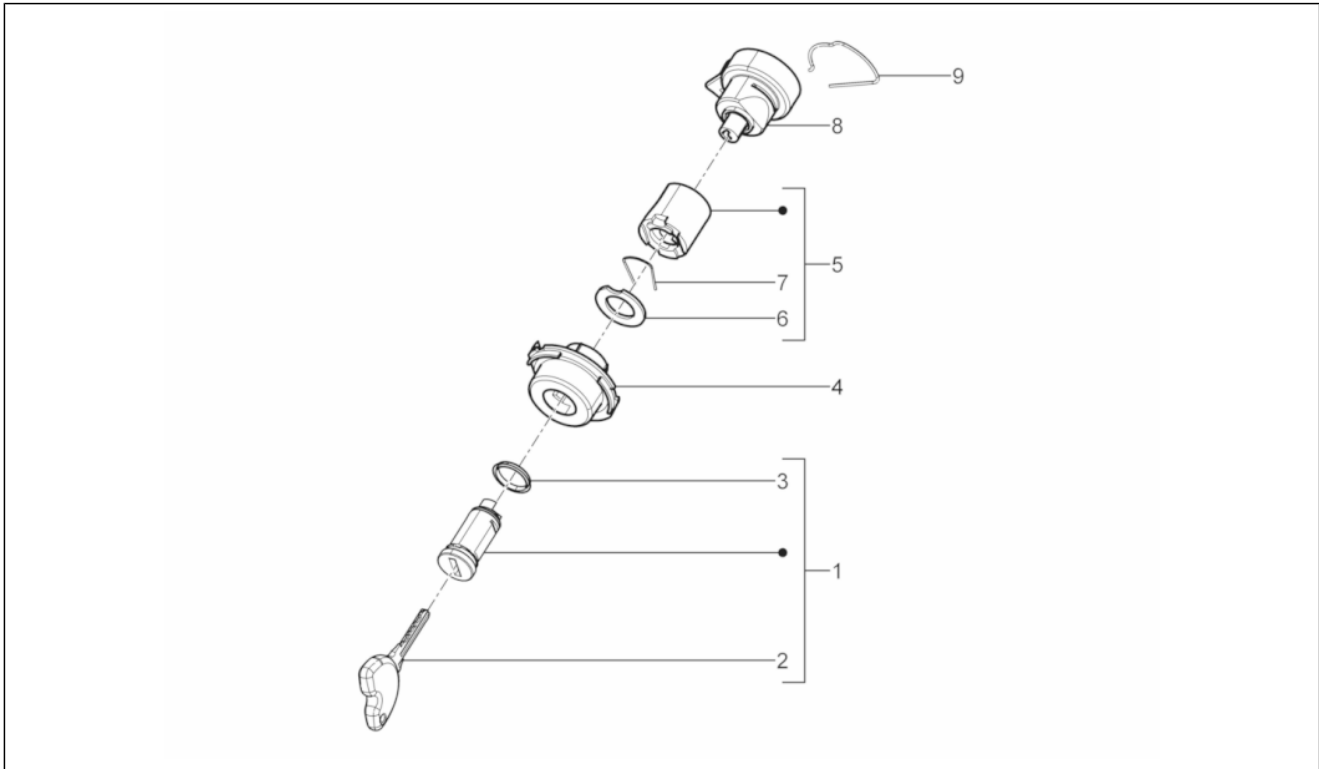
Pos.	Code	Description	Qty	Variants
1	675331	Saddle assembly	1	
2	577492	Pad	4	
3	856462	Lock lever	1	
4	296743	Bracket	1	
5	268596	Self tapping screw D4x13	7	
6	672327	Saddle lock hardware kit	1	
7	856463	Eccentric tightening	1	
8	652697	Lock body	1	
9	269136	Nut	4	
10	856466	Pin	1	
11	856465	Saddle hinge	1	
12	601645	Toolkit	1	

Group	Frame - Plastic parts - Coachwork
Code	02.45
Description	Kaca spion
Service	1



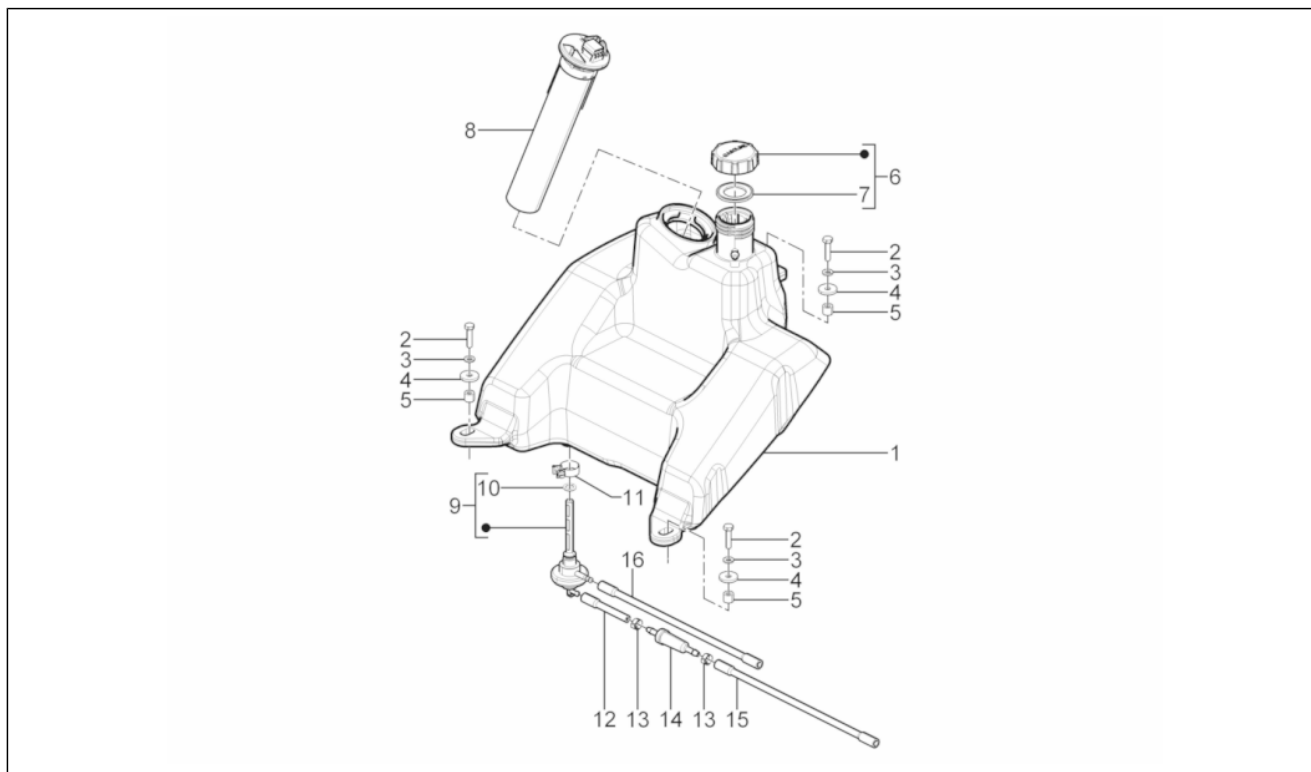
Pos.	Code	Description	Qty	Variants
1	CM180601	RH rearview mirror	1	
2	CM180602	LH rearview mirror	1	

Group	Frame - Plastic parts - Coachwork
Code	02.46
Description	Pengunci
Service	1



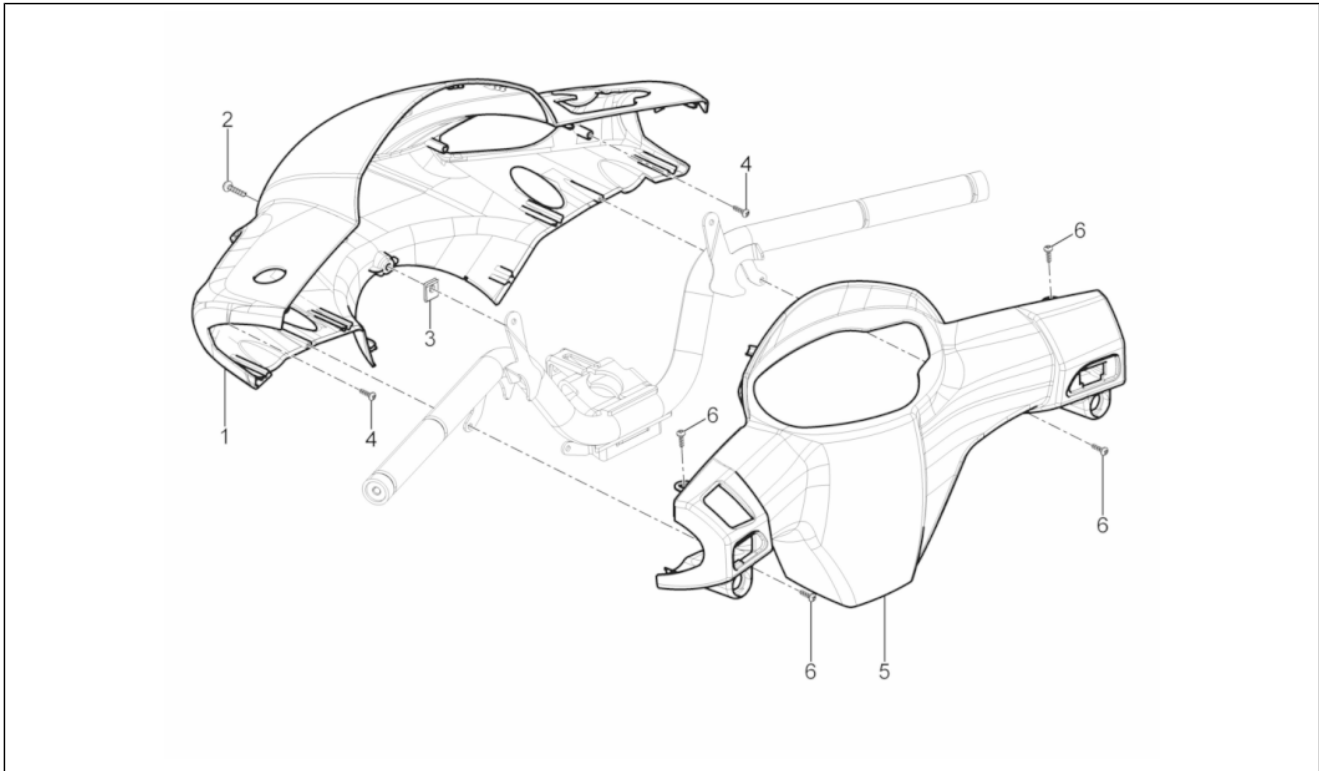
Pos.	Code	Description	Qty	Variants
1	860193	Lock cylinder	1	
2	860691	Key	2	
3	298731	Gasket ring	2	
4	298581	Lock body	1	
5	298903	Complete lock block	1	
6	298594	Flat washer	1	
7	298838	Cylinder retainer spring	1	
8	580621	Key switch	1	
9	253937	Spring	1	

Group	Frame - Plastic parts - Coachwork
Code	02.47
Description	Tangki bahan bakar
Service	1



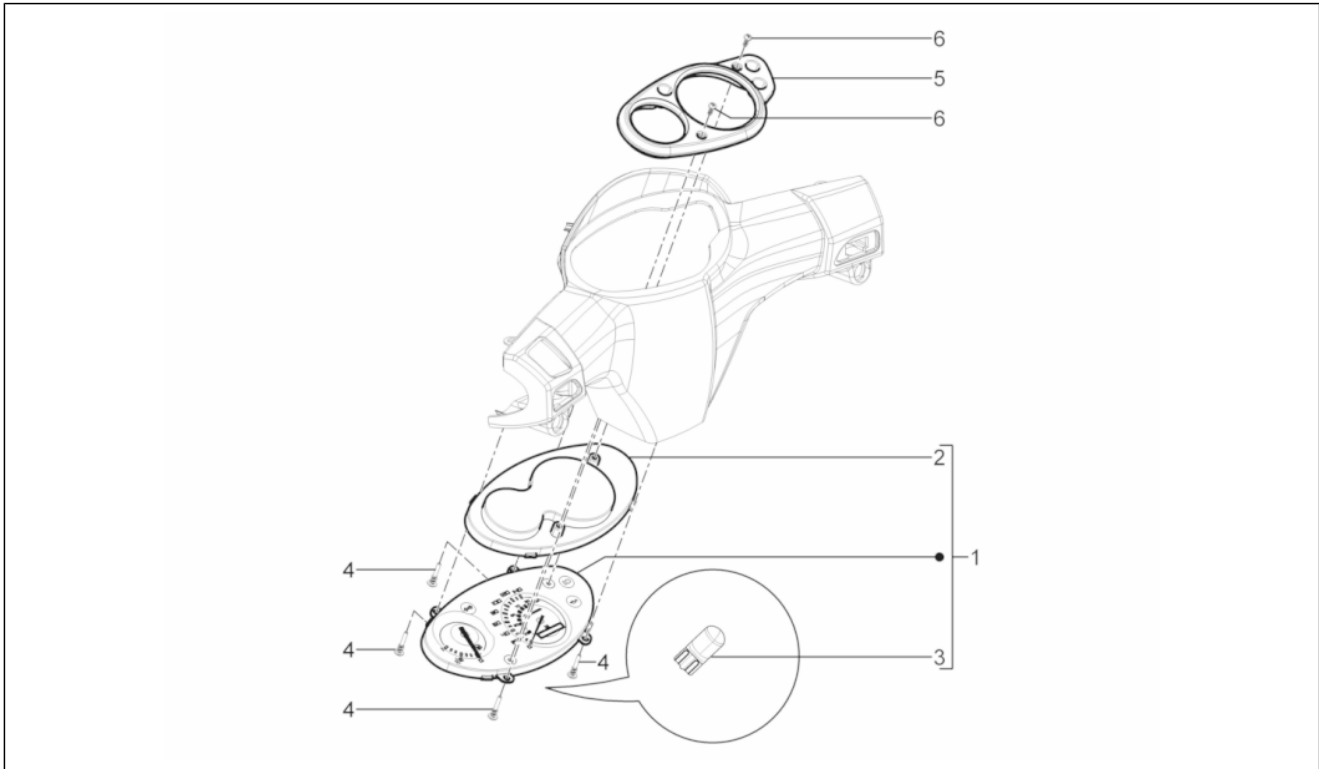
Pos.	Code	Description	Qty	Variants
1	657507	Fuel tank	1	
2	031092	screw M6x25	3	
3	016406	Spring washer 6,4x11,8x1	3	
4	268304	Flat washer 6,5x21	3	
5	231027	Spacer	3	
6	259832	Tank cap	1	
7	258160	Tank cover gasket	1	
8	CM025711	Fuel level probe	1	
9	575321	Depression tap	1	
10	196868	Gasket	1	
11	577557	Hose clamp	1	
12	CM027914	pipe 3,25x8x70	1	
13	CM001912	Hose clamp	2	
14	624522	Vacuum filter	1	
15	CM027916	pipe 3,25x8x420	1	
16	CM006103	pipe 4x9x350	1	

Group	Handlebars/Steering
Code	03.01
Description	Penutup setang
Service	1



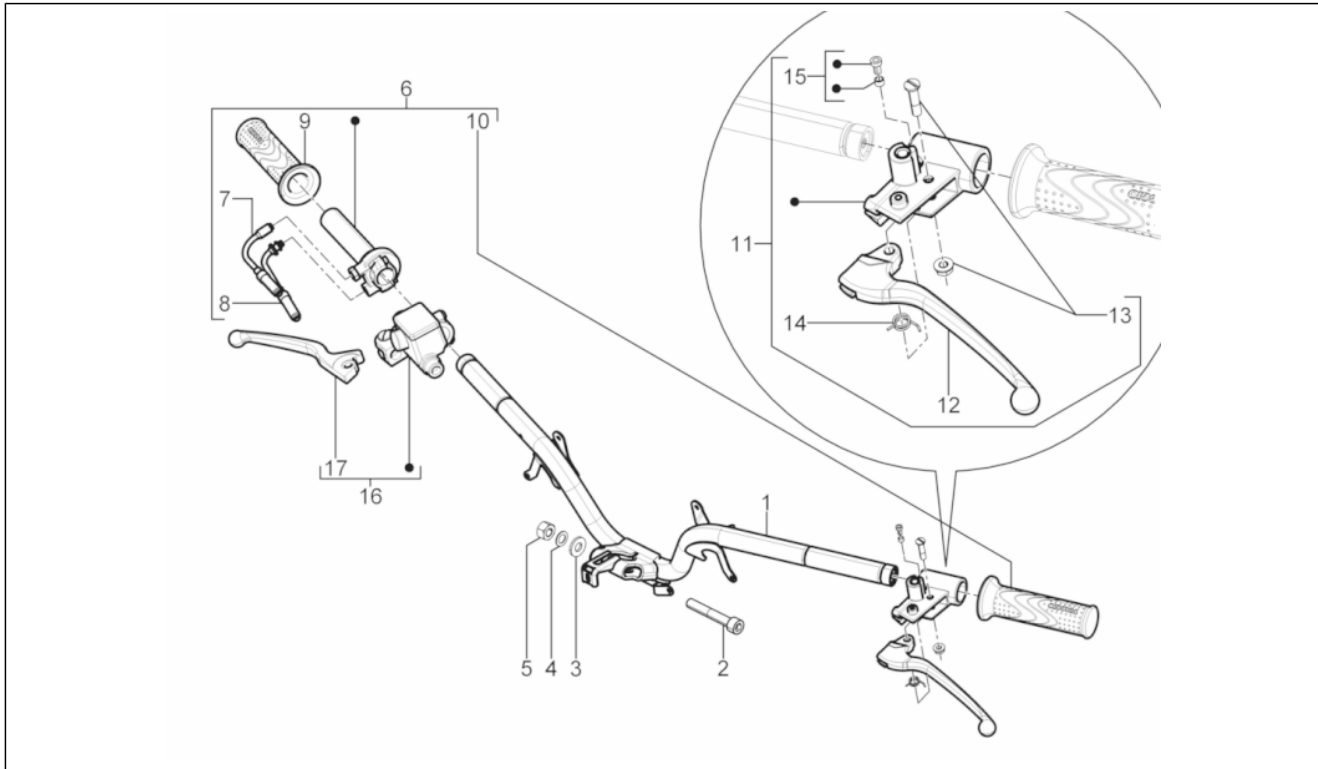
Pos.	Code	Description	Qty	Variants
1	1B000543	Front handlebars cover	1	Year:2014[D]
1	6574700090	Front handlebars cover	1	Year:2012[B], 2013[C]
2	008457	Self-tap screw M4,2x19	1	
3	CM017409	Spring plate	1	
4	267115	Self tapping screw M4x16	2	
5	1B000541	Rear handlebars cover	1	Year:2014[D]
5	8530500090	Rear handlebars cover	1	Year:2012[B], 2013[C]
6	267115	Self tapping screw M4x16	4	

Group	Handlebars/Steering
Code	03.02
Description	Kombinasi meter - Cruscotto
Service	1



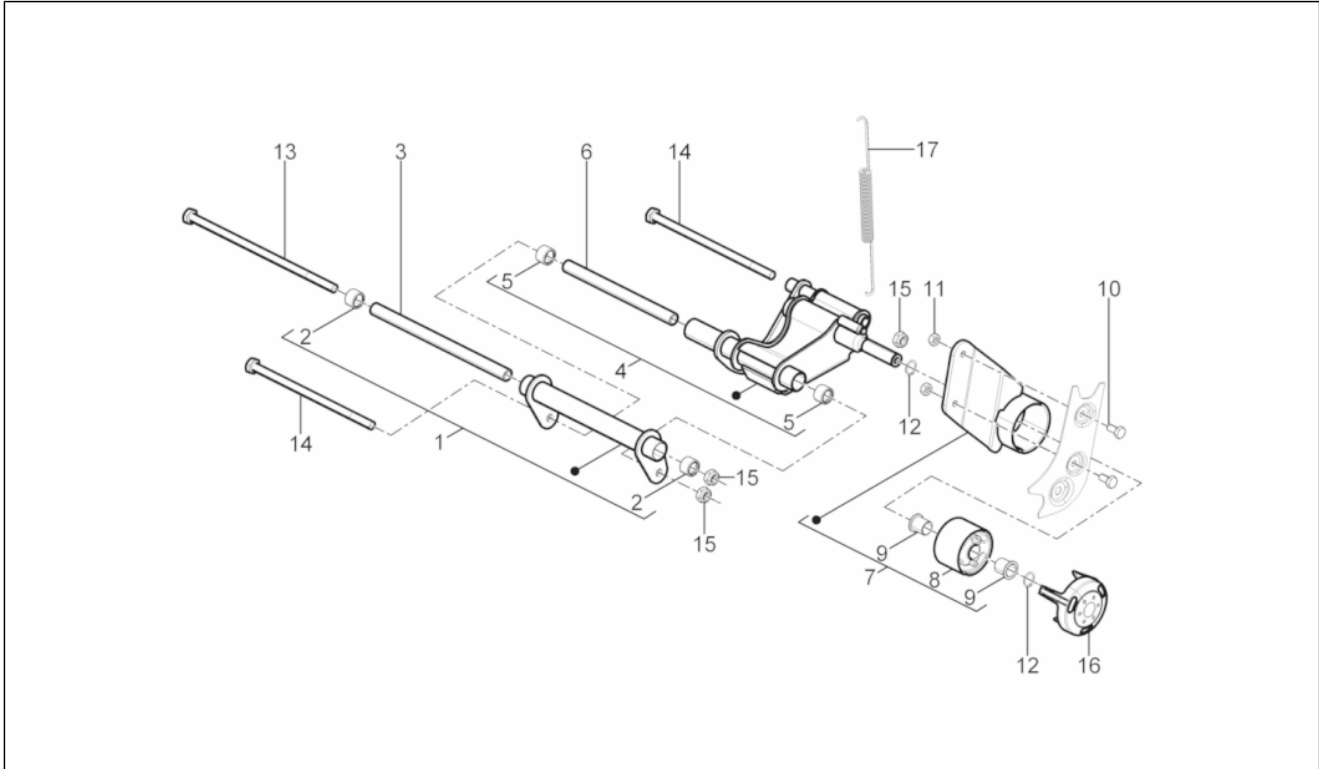
Pos.	Code	Description	Qty	Variants
1	643415	Meter combination	1	
2	856440	Instrument panel glass	1	
3	164634	12v-1.2w bulb	5	
4	268596	Self tapping screw D4x13	4	
5	642019	Dashboard panel blank	1	
6	860535	Hex socket screw	2	

Group	Handlebars/Steering
Code	03.06
Description	Setang - Silinder utama
Service	1



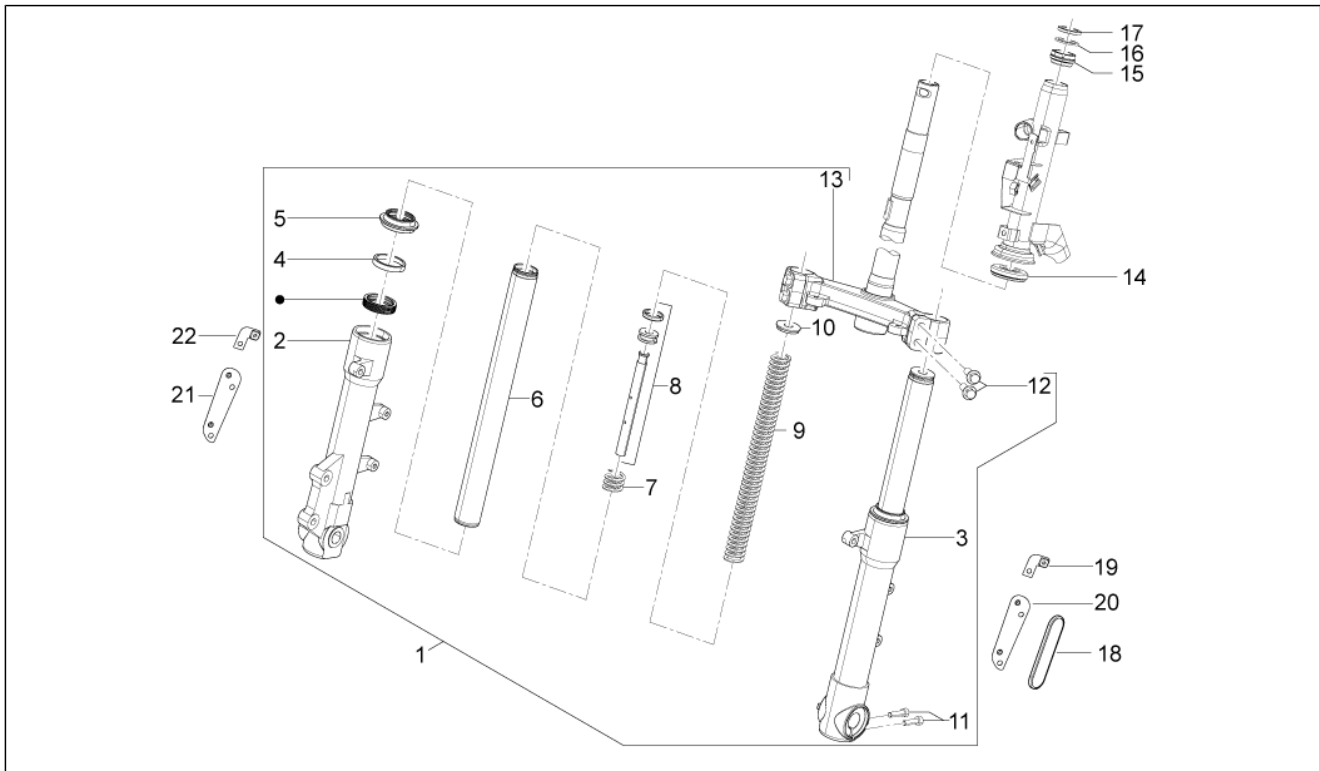
Pos.	Code	Description	Qty	Variants
1	853047	Handlebar	1	
2	655554	Hex socket screw M10x65	1	
3	674424	Flat washer	1	
4	012543	Flat elastic washer with internal tothing 17x10,3x2	1	
5	015330	Nut M10	1	
6	CM079717	Throttle cpl.	1	
7	649602	Opening throttle cable	1	
8	649603	Closure throttle cable	1	
9	274491	RH hand grip	1	
10	274489	Grip, l.h.	1	
11	CM063805	Sleeve with rear brake lever	1	
12	564681	Lever	1	
13	265249	screw	1	
14	267948	Spring	1	
15	123394	Screw with bushing	1	
16	CM064305	(Heng Tong) Brake pump	1	
17	646832	Brake lever (Heng Tong)	1	

Group	Suspensions - Wheels
Code	04.01
Description	Lengan ayun
Service	1



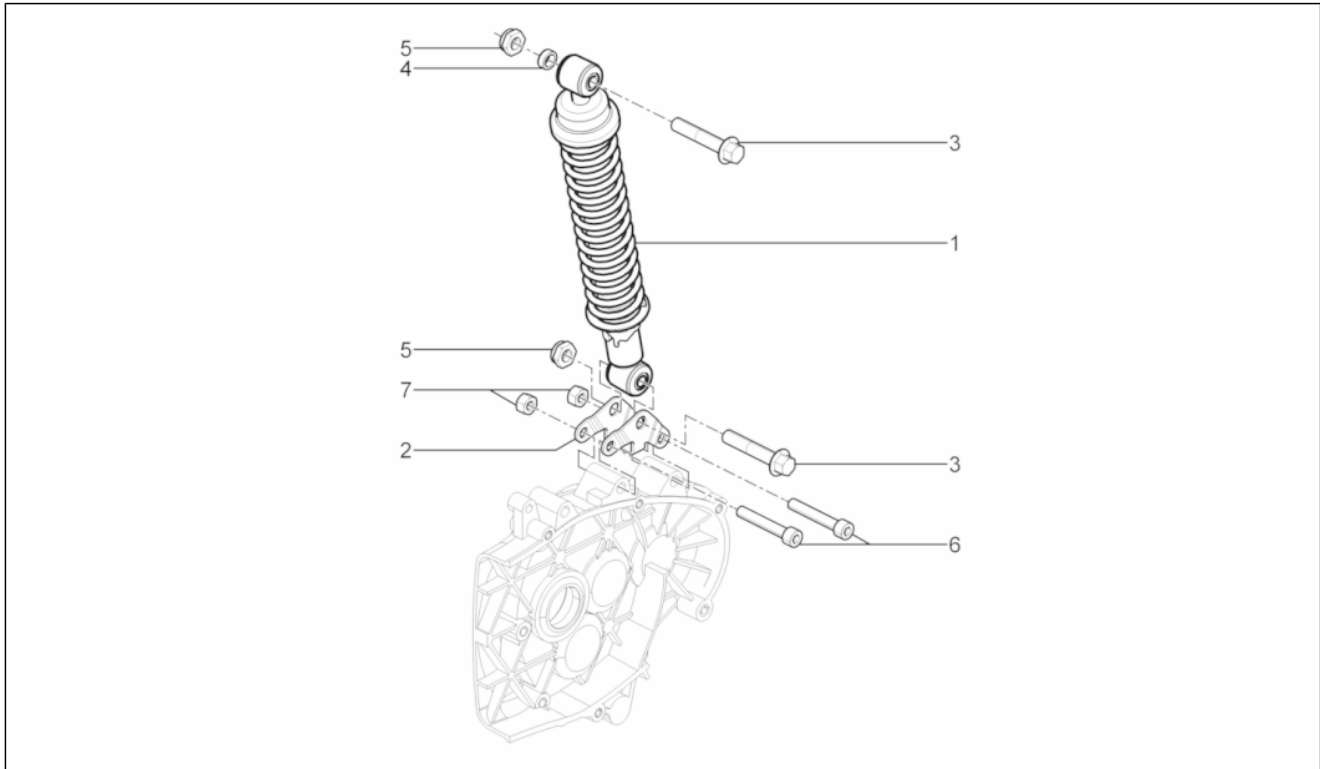
Pos.	Code	Description	Qty	Variants
1	597499	Chassis side swinging arm	1	
2	56127R	Roller cage	2	
3	CM067803	Spacer L=228 mm	1	
4	860902	Engine side swinging arm	1	
5	597374	Roller cage	2	
6	CM067801	Spacer L=183 mm	1	
7	664219	Silent block support bracket	1	
8	272750	Silent-block	1	
9	273460	Bush	2	
10	295409	Hex screw M8x2,5	2	
11	272176	Nut	2	
12	006416	Circlip	2	
13	563977	Hex screw M10x245	1	
14	271807	Hex screw M10x202	2	
15	002440	Self locking nut M10	3	
16	597016	Swinging arm cover	1	
17	856446	Spring	1	

Group	Suspensions - Wheels
Code	04.02
Description	Tabung kemudi/garpu - Unit bantalan kemudi
Service	1



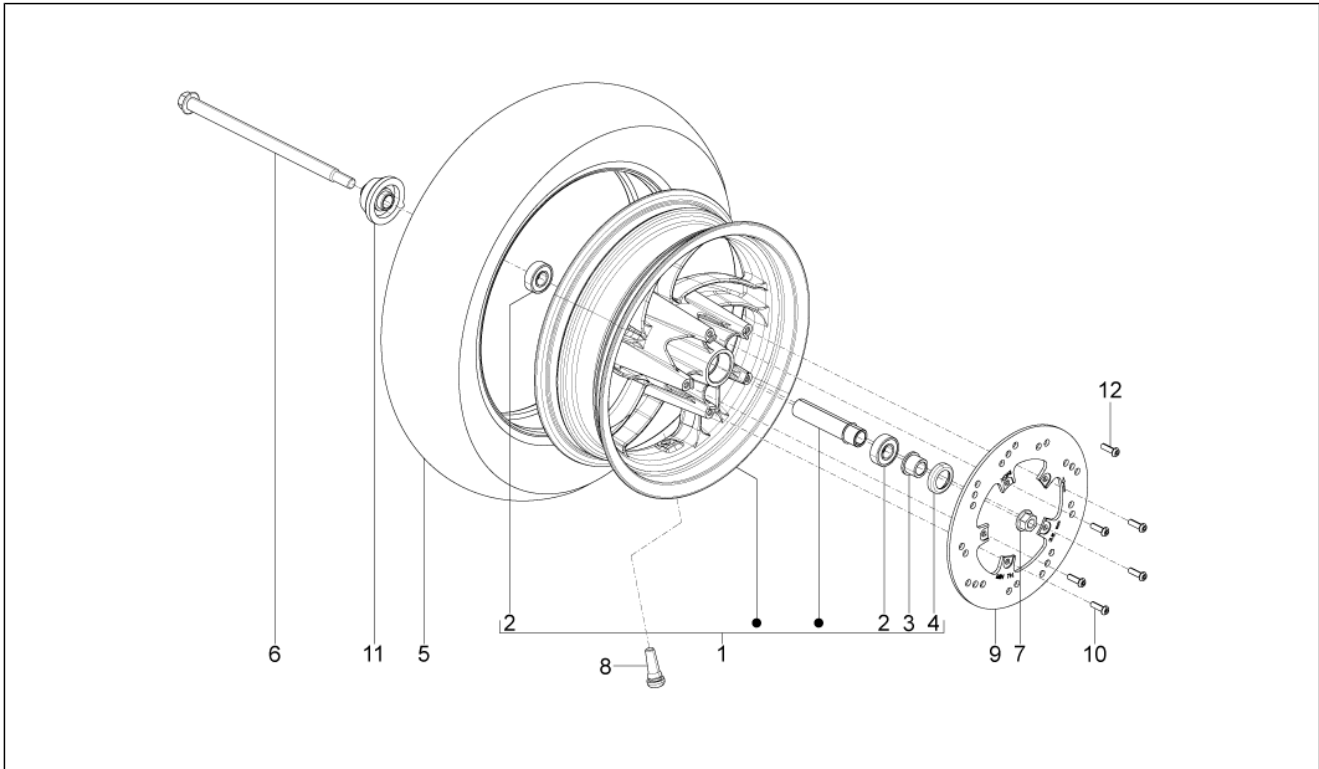
Pos.	Code	Description	Qty	Variants
1	668484	Front fork assembly	1	
2	666261	RH sleeve	1	
3	666262	LH sleeve	1	
4	600485	Fork oil seal	2	
5	600490	Dust cover	2	
6	858319	Fork stanchion	2	
7	858322	Secondary Spring	2	
8	858321	Fork piston	2	
9	858320	Fork spring	2	
10	600486	Fork tube cap	2	
10	600495	Cover	2	
11	601401	screw	2	
12	600482	Screw w/ flange	4	
13	600496	Sterms bracket	1	
13	858318	Steering column tube	1	
14	650075	Lower steering bearing	1	
15	650693	Upper thrust ring	1	
16	0037514	Washer of the steering	1	
17	0111094	Steering tube ring nut	1	
18	664045	Lateral reflector	1	
19	668573	LH support	1	
20	668572	LH support	1	
21	668574	RH support	1	
22	668575	RH support	1	

Group	Suspensions - Wheels
Code	04.10
Description	Suspensi belakang - Peredam kejut
Service	1



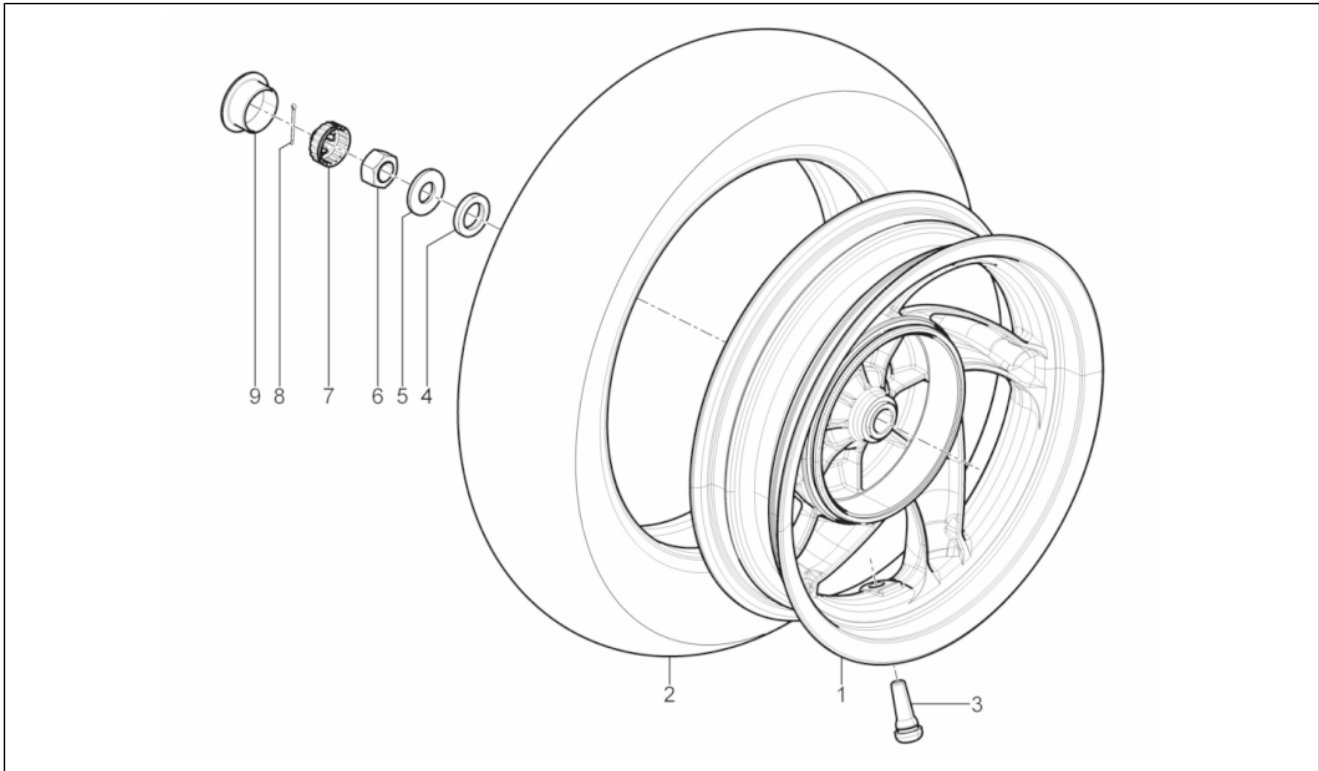
Pos.	Code	Description	Qty	Variants
1	666822	Complete rear shock absorber	1	
2	666821	Shock absorber connection bracket	1	
3	268158	Screw w/ flange M10	2	
4	666823	Spacer	1	
5	002440	Self locking nut M10	2	
6	844483	Hex socket screw M8x50	2	
7	020008	Nut M8	2	

Group	Suspensions - Wheels
Code	04.11
Description	Roda depan
Service	1



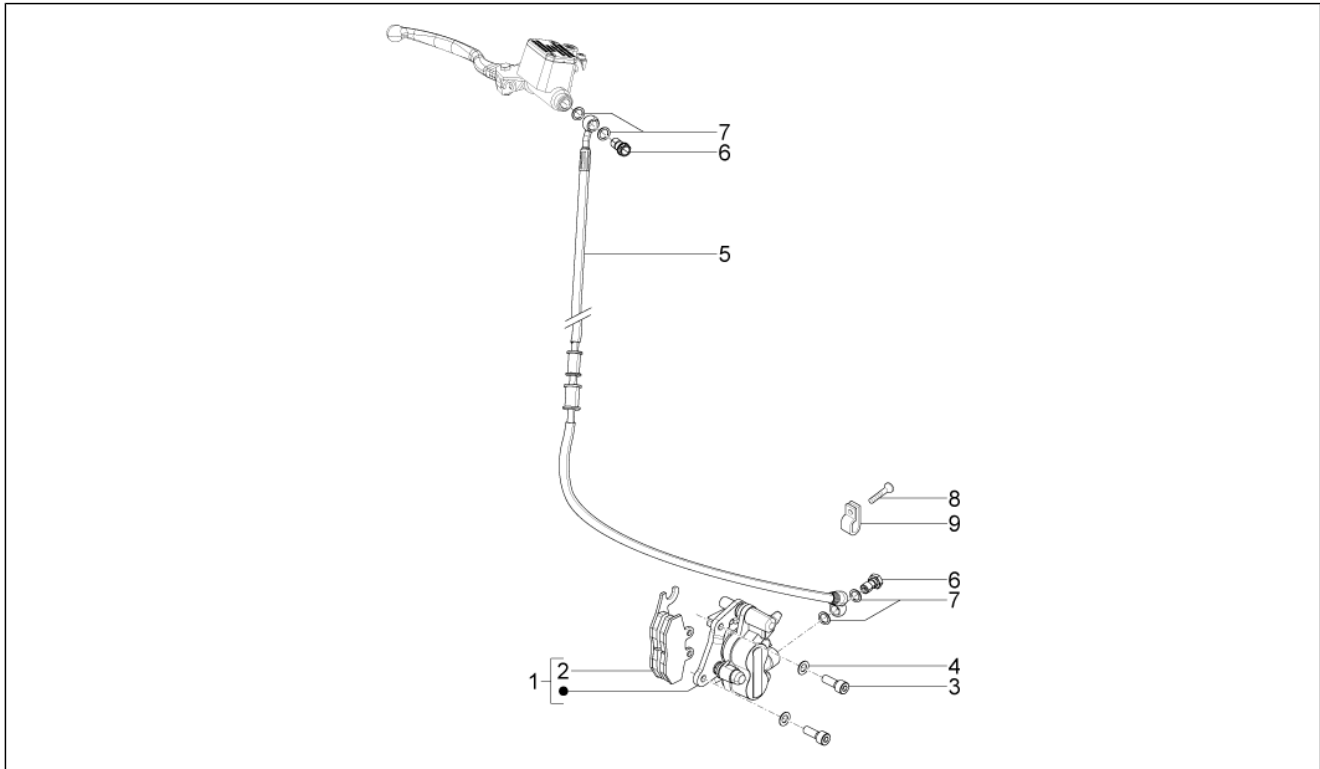
Pos.	Code	Description	Qty	Variants
1	666311	Front wheel	1	
2	327187	Bearing	2	
3	564527	Front wheel spacer	1	
4	564475	Cup	1	
5	853075	Tyre 120/70-14"	1	
6	853058	Front wheel axle	1	
7	271740	Nut M12	1	
8	270991	Tubeless tyre valve	1	
9	561714	Front brake disc	1	
10	271147	Hex socket screw M6x20	5	
11	56434R	Kilometre counter movement socket	1	
12	709674	Hex socket screw M6x20	2	

Group	Suspensions - Wheels
Code	04.12
Description	Roda belakang
Service	1



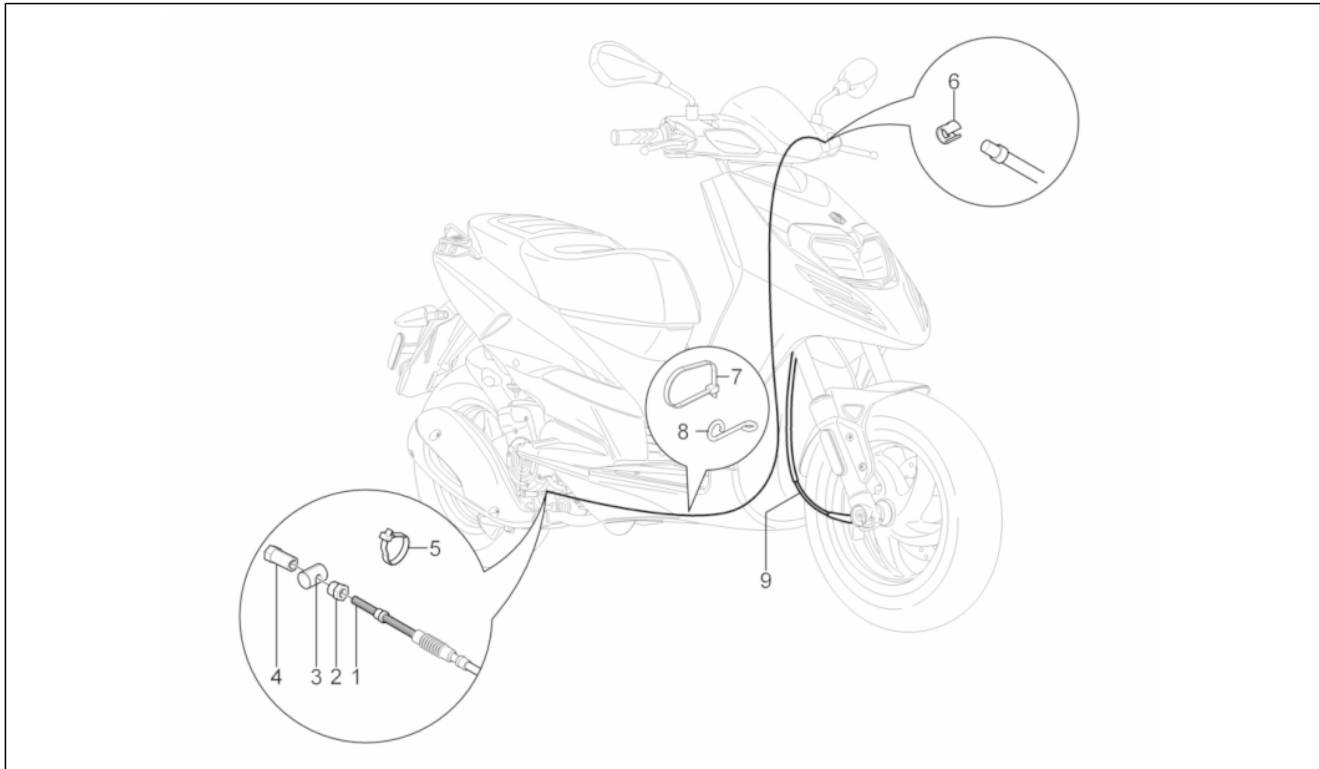
Pos.	Code	Description	Qty	Variants
1	666286	Rear wheel	1	
2	853075	Tyre 120/70-14"	1	
3	270991	Tubeless tyre valve	1	
4	601205	Spacer	1	
5	674425	Flat washer	1	
6	563728	Nut M16x13	1	
7	194423	Nut hold cap	1	
8	012789	Split pin	1	
9	197983	Cover	1	

Group	Braking system - Transmissions
Code	05.01
Description	Pipa rem - Kaliper
Service	1



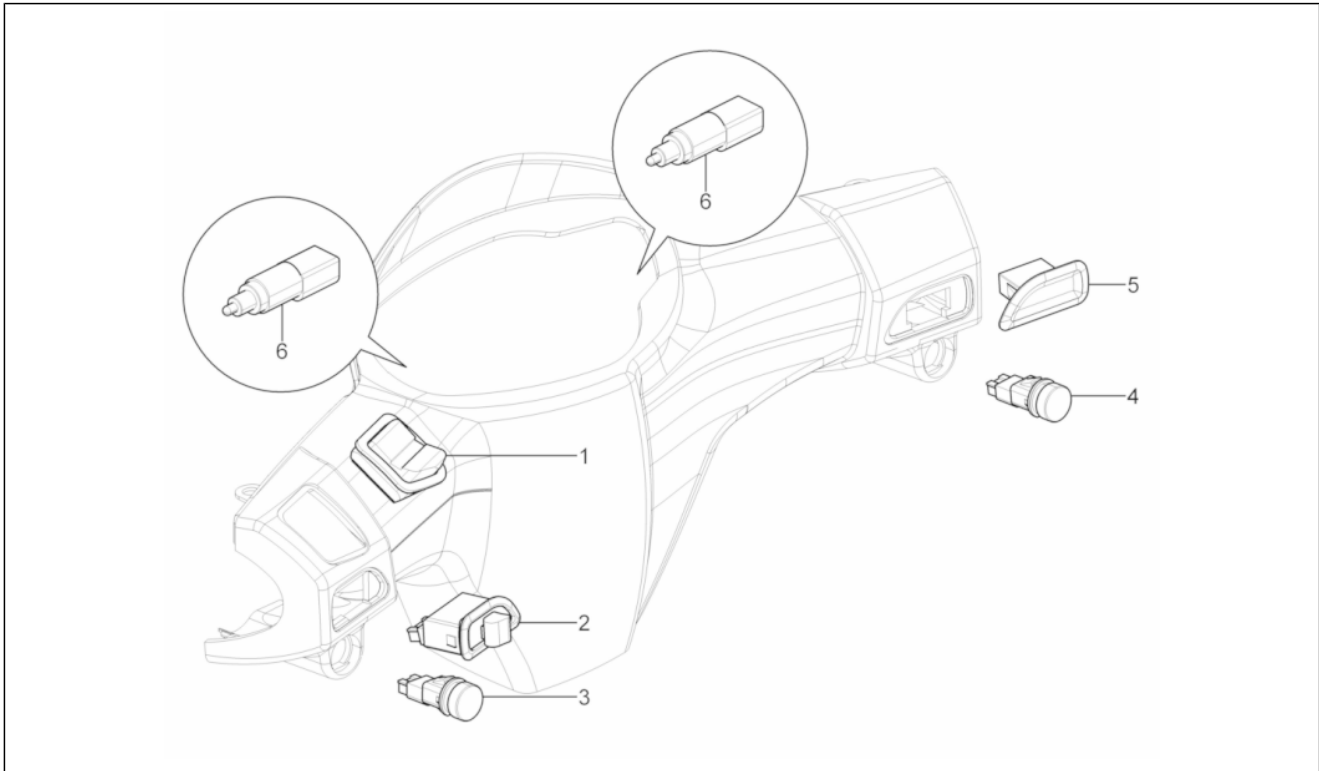
Pos.	Code	Description	Qty	Variants
1	666008	Brake hydraulic pin	1	
2	647078	Brake pads torque (Heng Tong)	1	
3	598919	screw	2	
4	709047	Spring washer	2	
5	858543	Brake fluid line	1	
6	651502	Oil pipe screw M10x18	2	
7	127927	Gasket	4	
8	289731	Screw w/ flange M6x30	1	
9	482291	Hose clamp	1	

Group	Braking system - Transmissions
Code	05.03
Description	Transmisi
Service	1



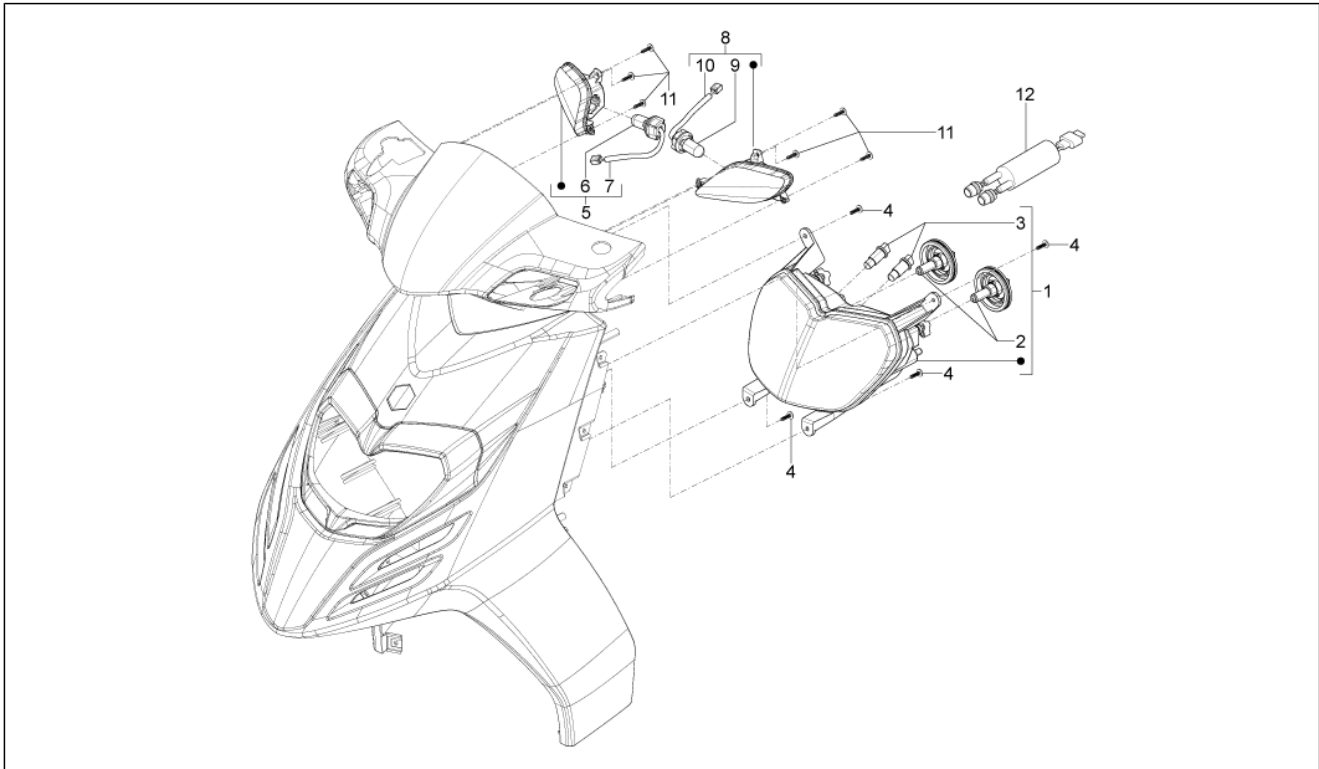
Pos.	Code	Description	Qty	Variants
1	666930	Rear brake transmission	1	
2	598918	Registro freno posteriore	1	
3	179640	Pin	1	
4	270310	Registro freno posteriore	1	
5	145298	Lock-strap L=180mm	1	
6	266040	Bush	1	
7	257134	Lock-strap L=277	2	
8	666929	Fairlead	1	
9	858542	Speedometer transmission	1	

Group	Electrical system
Code	06.01
Description	Pemilih - Switch - Tombol
Service	1



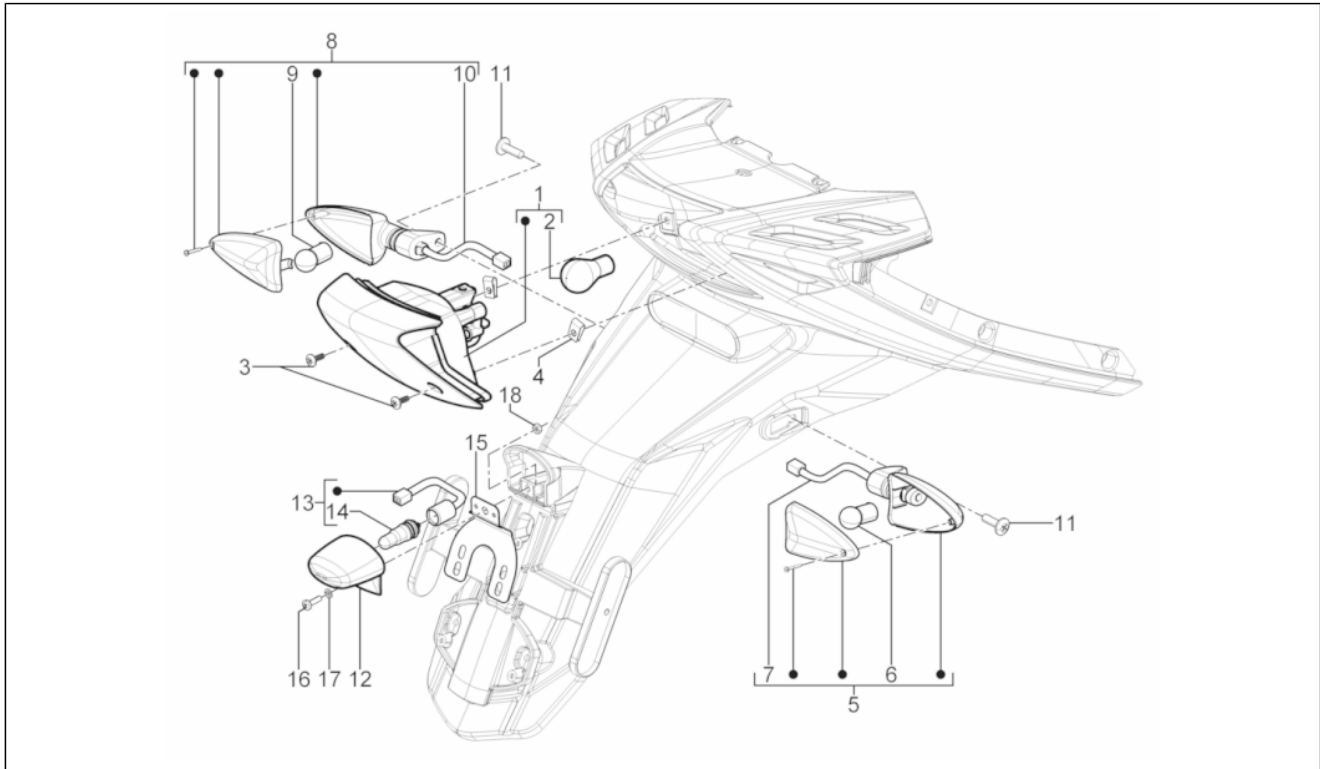
Pos.	Code	Description	Qty	Variants
1	294341	Headlight selector	1	
2	58056R	Turn signal lamps switch	1	
3	58058R	Horn button	1	
4	58057R	Start pushbutton	1	
5	584426	Light switch seat cover	1	
6	580645	stop Button	2	

Group	Electrical system
Code	06.03
Description	Lampu utama depan - Lampu sein
Service	1



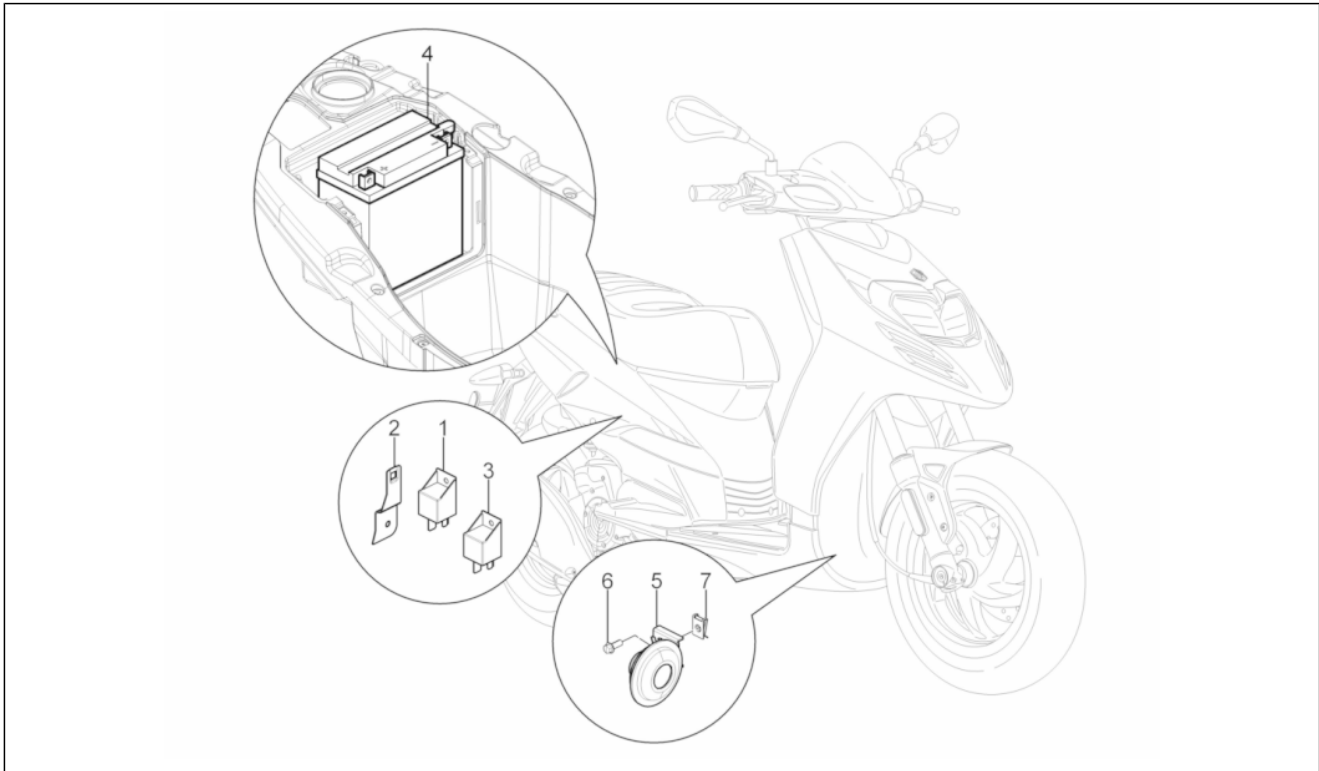
Pos.	Code	Description	Qty	Variants
1	642021	Front headlight	1	
2	00H01004131	Lamp H8	2	
3	294131	Lamp 12V-3W	2	
4	270723	Self tapping screw	4	
5	642025	Front right turn indicator	1	
6	584332	Lamp 12V-10W	1	
7	664360	Indicator cable assembly	1	
8	642026	Front left turn indicator	1	
9	584332	Lamp 12V-10W	1	
10	664362	Indicator cable assembly	1	
11	664170	screw	6	
12	664379	Headlight cable assembly	1	

Group	Electrical system
Code	06.04
Description	Lampu utama belakang - Lampu sein
Service	1



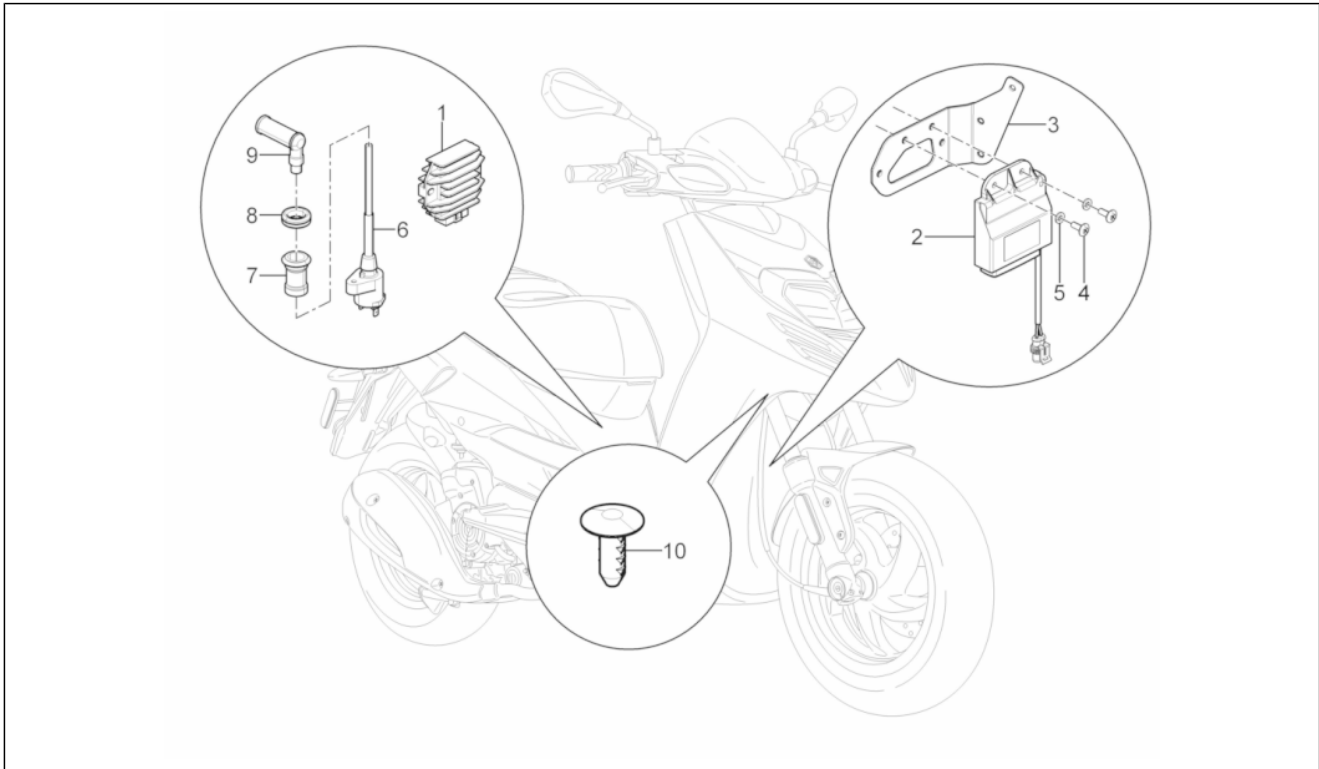
Pos.	Code	Description	Qty	Variants
1	642022	Taillight	1	
2	129953	Lamp 12V-21/5W	1	
3	664457	ZPF screw	2	
4	184142	Spring plate	2	
5	642023	Right rear turn indicator	1	
6	584332	Lamp 12V-10W	1	
7	664359	Right indicator cable assembly	1	
8	642024	Left rear turn indicator	1	
9	584332	Lamp 12V-10W	1	
10	664361	Left indicator cable assembly	1	
11	259830	Metric screw M6x20	2	
12	858306	Number plate lamp	1	Country:Australia[AU]
13	858180	Plate light wiring	1	Country:Australia[AU]
14	292022	Lamp 12V-5W	1	Country:Australia[AU]
15	858334	License plate lamp bracket	1	Country:Australia[AU]
16	018591	screw M4x14	2	Country:Australia[AU]
17	016404	Flat washer 4,2x7,6x0,9	2	Country:Australia[AU]
18	020104	Nut M4	2	Country:Australia[AU]

Group	Electrical system
Code	06.05
Description	Switch remote control - Aki - Klakson
Service	1



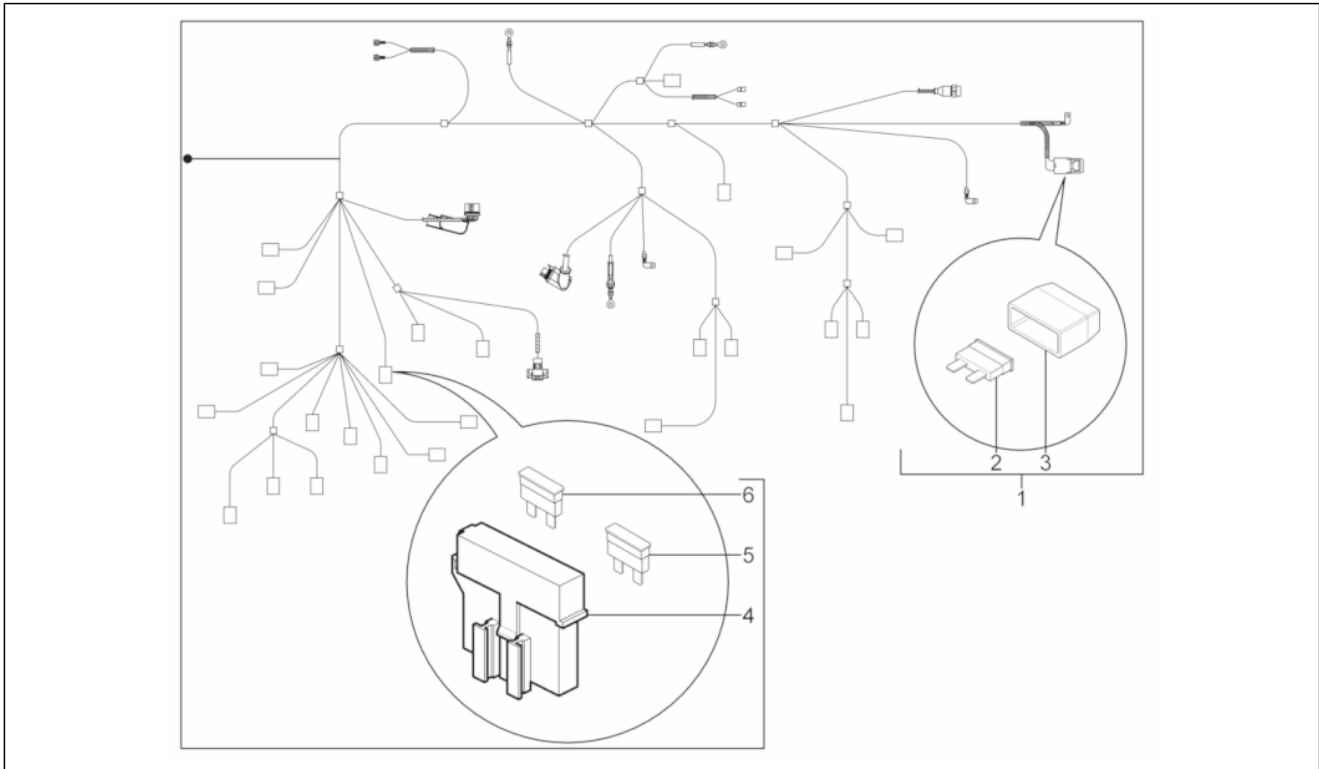
Pos.	Code	Description	Qty	Variants
1	642318	Starter relay 12V-80A	1	
2	582042	Solenoid bracket	1	
3	294076	Rem. control switch 12V-30A	1	
4	584810	Battery 12V-9Ah	1	
5	1D000635	***1D000635	1	Country: Corea[CO]
5	58093R	Horn	1	Year: 2012[B], 2013[C] Country: Australia[AU], Japan[J], New Zealand[NZ]
6	434541	Screw w/ flange M6x16	1	
7	254485	Spring plate M6	1	

Group	Electrical system
Code	06.06
Description	Regulator tegangan - Unit Kontrol Elektronik (ECU) - Koil H.T.
Service	1



Pos.	Code	Description	Qty	Variants
1	58090R	Voltage regulator	1	
2	CM078307	CDI unit assy	1	
3	672173	Control unit sup. bracket	1	
4	272836	Screw M6x16	2	
5	016406	Spring washer 6,4x11,8x1	2	
6	58083R	Coil	1	
7	436919	Protection collar	1	
8	573052	Fairlead	1	
9	969348	Screened cap	1	
10	581142	Ambient temperature sensor	1	

Group	Electrical system
Code	06.08
Description	Harnes kabel utama
Service	1



Pos.	Code	Description	Qty	Variants
1	642480	Cable harness	1	
2	580561	Fuse 20A	1	
3	290404	Cover	1	
4	580653	Fuse holder	1	
5	252945	Fuse 7,5A	1	
6	290860	Fuse 15A	1	