



PIAGGIO & C.s.p.a.

**aprilia**

## **SPARE PARTS CATALOGUE**

### **SR 50 carb. my 2014**

Chassis prefix: ZD4VFB00, ZD4VFD00, ZD4VFU00, ZD4VFJ, ZD4VZ000

Engine prefix:

# Index

Finished products.....	4
Alphanumeric index.....	5
FRAME.....	9
Table 28.01 - Frame.....	9
Table 28.02 - Central stand - Connecting rod.....	10
Table 28.03 - Front fork I.....	11
Table 28.04 - Fork II.....	12
Table 28.05 - Front fork III.....	13
Table 28.06 - Front body I.....	14
Table 28.07 - Front body II.....	15
Table 28.08 - Front body III.....	16
Table 28.09 - Front body IV.....	17
Table 28.10 - Central body I.....	18
Table 28.11 - Central body II.....	19
Table 28.12 - Saddle - Handle.....	20
Table 28.13 - Rear body I.....	21
Table 28.14 - Rear body II.....	22
Table 28.15 - Rear body III.....	23
Table 28.16 - Dashboard.....	24
Table 28.17 - Handlebar.....	25
Table 28.18 - LH Controls.....	26
Table 28.19 - RH controls.....	27
Table 28.20 - Oil tank.....	28
Table 28.22 - Fuel tank II.....	29
Table 28.23 - Cooling system.....	30
Table 28.25 - Air box II.....	31
Table 28.29 - Front wheel.....	32
Table 28.30 - Front brake caliper.....	33
Table 28.31 - Rear wheel - disc brake.....	34
Table 28.32 - Front lights.....	35
Table 28.33 - Rear lights.....	36
Table 28.35 - Electrical system II.....	37
Table 28.36 - Lock hardware kit.....	38
Table 28.37 - Plate set and handbook.....	39
Table 28.38 - Decal.....	40
ENGINE.....	43
Table 29.27 - Engine II.....	43
Table 29.28 - Exhaust pipe.....	44
Table 29.39 - Crank-case.....	45
Table 29.40 - Drive shaft.....	46
Table 29.41 - Cylinder with piston.....	47
Table 29.42 - Cylinder head/Throttle body.....	48
Table 29.43 - Cylinder head/Carburettor.....	49

---

Table 29.45 - Transmission cover.....	51
Table 29.46 - Variator.....	52
Table 29.47 - Clutch.....	53
Table 29.48 - Transmission final drive.....	54
Table 29.49 - Flywheel.....	55
Table 29.50 - Starter motor.....	56
Table 29.51 - Oil pump.....	57
Table 29.52 - Water pump.....	58
Table 29.53 - Secondary air.....	59

## Finished products

Code	Validity
AP6211200ACE00	
AP6211200ACE31	
AP6211200ACE32	
AP6211200ACE34	
AP6211200ACE35	
AP6211200ACEXX	
AP6211200EAE00	
AP6211200EAE31	
AP6211200EAE32	
AP6211200EAE33	
AP6211200EAE34	
AP6211200EAE35	
AP6211200EAEXX	
AP6211200EBE00	
AP6211200EBE31	
AP6211200EBE32	
AP6211200EBE35	
AP6211200EBEXX	
AP6211200ECE00	
AP6211200ECE31	
AP6211200ECE32	
AP6211200ECE33	
AP6211200ECE34	
AP6211200ECE35	
AP6211200ECEXX	
AP6211200RBE00	
AP6211200RBE31	
AP6211200RBE34	
AP6211204JCE00	
AP6211204JCE31	
AP6211204JCE32	
AP6211204JCE33	
AP6211204JCE34	
AP6211300EBE00	
AP6211300EBE31	
AP6211300EBE32	
AP6211300EBE33	
AP6211300EBE34	

Code	No. table	Pos.	Code	No. table	Pos.	Code	No. table	Pos.
0000000	28.35	17	289519	29.47	2	2H000327000H4	28.13	2
0000000	28.35	18	289553	29.52	6	2H000482	28.38	18
000267	29.49	10	289554	29.52	7	2R000078	28.12	1
000397	29.52	12	289575	29.43	23	2R000079	28.12	2
006416	29.45	18	289840	29.47	9	414834	29.48	6
006624	29.47	3	289903	29.43	28	414835	29.39	9
006647	29.39	15	289931	29.46	3	414837	29.45	16
012789	28.31	22	289933	29.47	15	414837	29.50	1
015585	29.49	7	289950	29.47	8	414838	29.45	5
015585	29.51	7	289952	29.47	4	430045	29.43	39
015597	29.49	8	289955	29.47	14	431125	29.40	1
015597	29.53	1	2H000169	28.38	18	431654	29.43	9
015715	29.49	7	2H000272	28.38	17	431860	29.39	12
015856	29.40	7	2H000273	28.38	12	431860	29.45	3
015856	29.49	3	2H000274	28.38	2	432456	29.43	14
015856	29.51	6	2H000275	28.38	3	433361	29.42	5
018644	29.50	4	2H000276	28.38	19	433987	29.45	17
020006	29.39	3	2H000277	28.38	20	434735	29.39	16
020008	29.39	6	2H000278	28.38	4	4352035	29.39	11
020106	29.51	2	2H000279	28.38	5	435363	29.48	4
063435	29.43	40	2H000280	28.38	25	436864	29.46	10
085285	29.43	32	2H000281	28.38	26	438031	29.43	42
113903	29.43	30	2H000282	28.38	22	463872	29.45	4
129953	28.33	11	2H000283	28.38	23	478028	29.47	11
146197	29.51	9	2H000284	28.38	6	478197	29.48	11
152608	29.43	33	2H000285	28.38	7	478498	29.39	14
159347	28.31	16	2H000286	28.38	8	478533	29.53	10
194423	28.31	23	2H000287	28.38	9	479495	29.46	1
239382	29.39	2	2H000288	28.38	13	4795526	29.47	5
239388	29.39	13	2H000289	28.38	14	479561	29.46	9
239388	29.45	7	2H000290	28.38	10	4795935	29.48	7
239388	29.48	3	2H000291	28.38	11	479866	29.46	12
239397	29.41	5	2H000292	28.38	15	480066	29.48	5
239404	29.41	2	2H000293	28.38	16	4802185	29.48	9
239455	29.41	3	2H000294	28.38	1	4802185	29.48	9
254485	28.01	6	2H000295	28.38	2	480227	29.46	4
254485	28.09	4	2H000296	28.38	3	480230	29.46	6
256756	29.43	38	2H000297	28.38	19	480953	29.48	8
265300	29.46	14	2H000298	28.38	20	482314	29.40	5
266625	29.39	8	2H000299	28.38	25	482315	29.40	2
266773	29.39	10	2H000300	28.38	26	482404	29.27	10
267823	29.39	7	2H000301	28.38	22	482432	29.27	12
269755	29.52	11	2H000302	28.38	23	482766	29.47	6
278940	28.02	6	2H000303	28.38	8	482916	29.43	26
286158	29.46	2	2H000304	28.38	9	482942	29.43	10
286162	29.51	4	2H000305	28.38	13	482988	29.42	2
286163	29.51	5	2H000306	28.38	14	482988	29.43	2
286209	29.45	2	2H000307	28.38	10	483395	29.43	37
286214	29.45	14	2H000308	28.38	11	483443	29.47	10
286217	29.45	15	2H000309	28.38	15	483537	29.45	12
287021	29.51	1	2H000310	28.38	16	483859	29.45	8
288245	29.42	8	2H000311	28.38	25	484260	29.43	35
288245	29.43	6	2H000312	28.38	26	484704	29.43	13
288289	29.42	1	2H000313	28.38	22	486081	29.39	10
288289	29.43	1	2H000314	28.38	23	486942	29.53	8
288639	29.48	10	2H000315	28.38	8	486943	29.53	7
288862	29.43	22	2H000316	28.38	9	487392	29.52	8
288863	29.43	34	2H000317	28.38	25	4874805	29.48	1
288865	29.43	20	2H000318	28.38	26	4874845	29.48	2
288872	29.43	25	2H000319	28.38	22	4874845	29.48	2
288873	29.43	27	2H000320	28.38	23	487730	29.52	4
288881	29.43	31	2H000321	28.38	8	4878020001	29.41	6
289005	29.49	2	2H000322	28.38	9	4878020002	29.41	6
289254	29.52	1	2H000323	28.38	24	4878020003	29.41	6
289262	29.51	3	2H000324000H4	28.08	1	4878020004	29.41	6
289495	29.45	11	2H000325000H4	28.08	2	487935	29.47	12
289519	29.46	13	2H000326000H4	28.13	1	488139	29.52	13

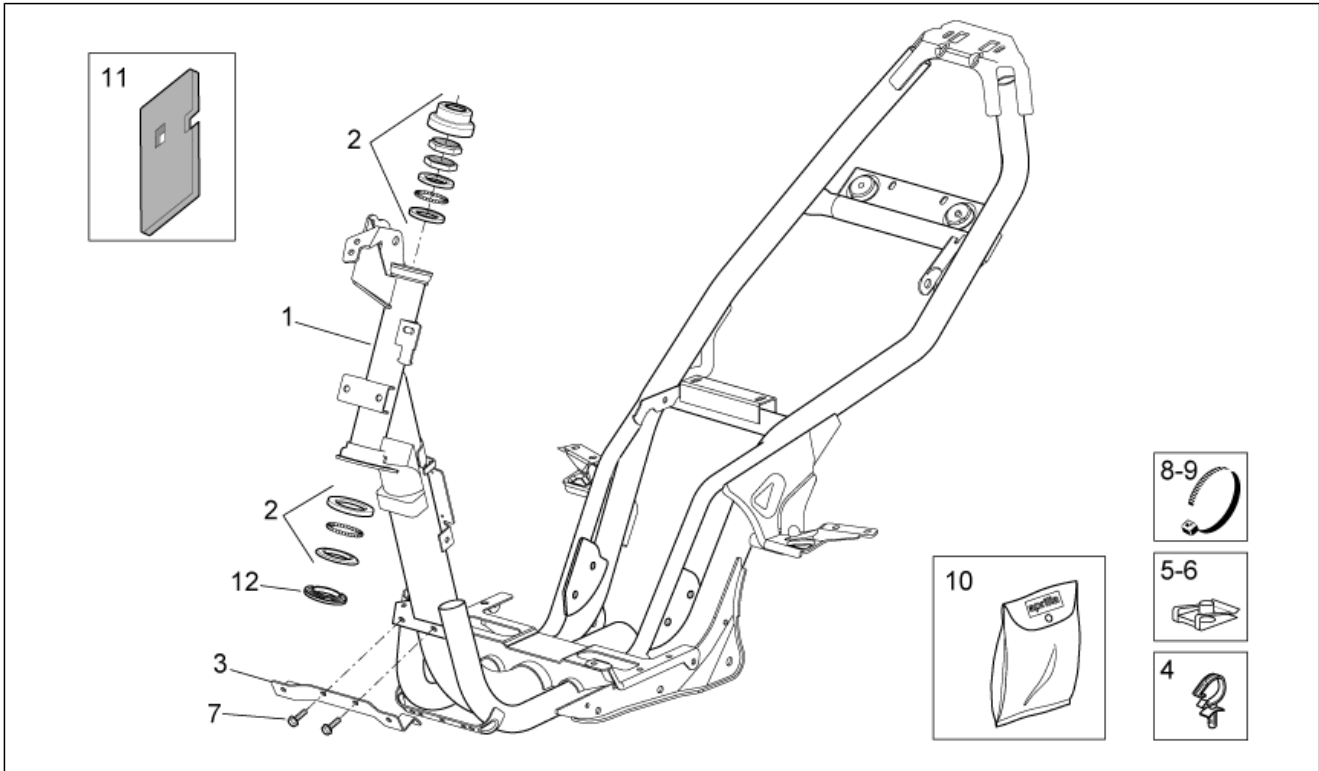
Code	No. table	Pos.	Code	No. table	Pos.	Code	No. table	Pos.
497338	29.41	8	829377	29.39	5	AP8102765	28.23	12
497339	29.39	21	8294235	29.39	1	AP8102811	28.22	16
497406	29.52	5	829633	29.41	1	AP8102947	28.36	4
498337	29.39	21	829703	29.42	6	AP8104451	28.09	14
498470	29.41	8	829820	29.45	9	AP8104609	28.36	3
500501	29.40	3	8298225	29.45	1	AP8104611	28.36	2
500502	29.40	3	830004	29.52	2	AP8104613	28.36	11
500503	29.40	3	830096	29.42	10	AP8104622	28.36	11
500504	29.40	3	830202	29.42	11	AP8112811	28.35	20
563728	28.31	12	830212	29.45	13	AP8112916	28.15	5
58062R	29.49	1	830487	29.42	7	AP8113003	28.18	4
580734	28.32	8	830487	29.43	24	AP8113003	28.19	4
58095R	28.35	1	830585	29.40	9	AP8113003	28.30	5
58096R	28.35	10	830939	29.43	4	AP8113003	28.31	14
58115R	28.35	14	831443	29.49	11	AP8113004	28.18	5
58136R	29.49	1	831458	29.45	10	AP8113004	28.19	5
582256	28.19	17	8318594	29.53	9	AP8113004	28.30	6
58237R	28.35	2	832130	29.52	9	AP8113004	28.31	10
584525	29.49	12	832925	29.52	2	AP8117033	28.14	13
584526	29.49	9	833598	29.41	7	AP8117040	28.10	8
584573	29.43	41	833708	29.43	8	AP8117073	28.08	13
584810	28.35	12	833740	29.53	11	AP8118699	28.18	6
598839	28.01	7	8338275	29.40	4	AP8118699	28.19	6
598839	28.09	9	833982	29.46	10	AP8120179	28.22	15
598839	28.23	14	842626	29.42	4	AP8120416	28.01	8
598839	28.35	3	845611	29.46	11	AP8120416	28.15	13
600475	28.18	10	852232	28.01	10	AP8120416	28.25	11
600475	28.19	10	852751	28.06	7	AP8120416	28.32	13
624522	28.22	17	852921	28.37	3	AP8120416	28.35	22
638610	29.49	12	8530325	28.01	1	AP8120416	29.50	5
638611	29.49	9	853482	28.37	4	AP8120422	28.35	21
642032	28.18	7	855799	28.35	6	AP8120446	28.20	13
665996	28.18	9	859841	28.36	17	AP8120531	28.06	11
668009	29.27	4	860109	28.19	1	AP8120531	28.09	7
672200	28.38	21	880065	29.28	2	AP8120593	28.25	4
825185	29.41	6	890622	28.16	1	AP8120657	28.01	9
82521R	29.45	6	890623	28.16	1	AP8120657	28.35	23
82530R	29.50	2	896544	28.22	7	AP8120754	28.35	19
82531R	29.50	3	896570	28.22	13	AP8120865	28.29	9
825416	29.41	4	896570	28.22	5	AP8121096	29.28	17
825865	29.42	9	96921R	29.50	2	AP8121679	28.14	10
825865	29.43	7	96922R	29.50	3	AP8121984	28.25	10
82605R	29.51	8	AP8101573	28.22	9	AP8125743	28.29	8
82632R	29.51	8	AP8101743	28.20	6	AP8125782	28.29	6
826490	29.43	5	AP8101944	28.20	9	AP8127098	28.33	15
8269405	29.40	4	AP8101944	28.22	4	AP8127305	28.19	7
826949	29.40	8	AP8102223	28.20	7	AP8127461	28.36	12
826972	29.49	5	AP8102224	28.20	5	AP8127489	28.32	9
827085	29.52	10	AP8102273	29.53	12	AP8127489	28.33	10
827208	29.53	2	AP8102349	28.23	11	AP8133601	28.31	3
827209	29.53	6	AP8102375	28.01	5	AP8133735	28.30	1
827301	29.41	1	AP8102375	28.10	5	AP8134167	28.09	10
827303	29.41	1	AP8102375	28.11	5	AP8134167	28.31	15
827517	29.49	5	AP8102375	28.13	9	AP8134460	28.23	17
82758R	29.53	4	AP8102375	28.15	12	AP8144081	28.15	9
827685	29.49	6	AP8102375	28.20	11	AP8144187	28.22	3
827685	29.52	3	AP8102375	28.22	11	AP8144343	28.22	2
82768R	29.40	10	AP8102375	28.23	10	AP8144506	28.23	6
827712	29.49	4	AP8102375	28.25	6	AP8144565	28.33	17
82775R	29.42	3	AP8102375	28.33	13	AP8144691	28.23	5
827853	29.41	4	AP8102381	28.06	9	AP8149034	28.33	18
827854	29.41	4	AP8102381	28.08	12	AP8150013	28.35	8
827893	29.47	7	AP8102381	28.13	10	AP8150014	28.25	15
828074	29.43	21	AP8102671	28.06	13	AP8150015	29.28	3
82827R	29.43	3	AP8102671	28.17	10	AP8150017	29.28	6
8284535	29.45	1	AP8102732	28.23	13	AP8150020	28.02	12
829376	29.39	4	AP8102738	28.22	10	AP8150020	28.17	6

Code	No. table	Pos.	Code	No. table	Pos.	Code	No. table	Pos.
AP8150020	28.31	25	AP8152300	28.02	5	AP8213572	28.30	3
AP8150086	28.17	5	AP8152300	28.17	9	AP8213573	28.30	4
AP8150086	28.31	24	AP8152301	28.02	10	AP8213574	28.30	8
AP8150107	28.17	12	AP8152301	28.17	7	AP8213574	28.31	9
AP8150137	28.36	13	AP8152301	29.27	6	AP8213575	28.30	9
AP8150157	28.25	9	AP8152301	29.27	8	AP8213575	28.31	8
AP8150158	28.15	10	AP8152302	28.15	8	AP8213576	28.30	10
AP8150165	28.14	11	AP8152302	28.23	15	AP8213577	28.31	6
AP8150204	28.15	11	AP8152306	28.14	6	AP8213578	28.31	17
AP8150220	29.39	18	AP8152306	28.15	14	AP8213579	28.31	18
AP8150255	28.16	3	AP8152306	28.33	21	AP8213580	28.18	2
AP8150292	28.31	26	AP8152306	28.35	5	AP8213581	28.19	2
AP8150298	28.33	8	AP8152318	29.27	3	AP8213582	28.18	3
AP8150354	29.28	8	AP8152329	28.25	5	AP8213582	28.19	3
AP8150373	28.29	14	AP8152341	28.09	8	AP8213583	28.18	14
AP8150376	28.02	3	AP8152351	28.07	9	AP8213583	28.19	14
AP8150376	29.28	7	AP8152351	28.08	11	AP8213584	28.18	15
AP8150382	28.16	5	AP8152351	28.09	12	AP8213584	28.19	15
AP8150412	29.27	5	AP8152351	28.10	6	AP8213585	28.18	16
AP8150413	28.06	8	AP8152351	28.11	6	AP8213585	28.19	16
AP8150413	28.07	7	AP8152410	29.27	7	AP8213593	28.18	12
AP8150413	28.08	9	AP8152477	28.17	11	AP8213595	28.18	13
AP8150413	28.09	13	AP8179912	28.13	1	AP8213598	28.19	13
AP8150413	28.12	9	AP8179913	28.13	2	AP8213600	28.19	11
AP8150413	28.13	13	AP8201225	28.20	8	AP8214238	28.36	5
AP8150413	28.16	6	AP8201457	28.37	1	AP8214239	28.19	17
AP8150413	28.32	12	AP8201534	28.08	7	AP8214241	28.19	17
AP8150421	28.07	8	AP8201546	28.29	7	AP8217040	28.01	11
AP8150423	28.08	8	AP8201546	28.31	5	AP8218638	28.17	1
AP8150444	28.12	10	AP8201620	28.36	8	AP8218639	28.19	12
AP8150450	28.07	6	AP8201643	28.14	8	AP8219452	29.28	1
AP8150450	28.13	11	AP8201748	28.36	9	AP8219530	29.28	10
AP8150493	28.06	10	AP8201749	28.36	10	AP8219531	29.28	11
AP8150493	28.32	11	AP8201824	28.22	8	AP8219532	29.28	12
AP8150493	28.33	12	AP8202302	28.25	3	AP8219605	29.28	13
AP8150509	28.12	8	AP8202394	28.17	2	AP8219612	29.28	14
AP8150509	28.16	4	AP8202395	28.17	3	AP8220104	28.25	13
AP8150509	28.33	16	AP8202403	28.29	15	AP8220150	28.16	2
AP8150515	29.27	11	AP8202406	28.23	3	AP8220346	28.02	11
AP8152003	29.39	19	AP8202419	28.36	17	AP8220349	28.12	7
AP8152018	28.29	11	AP8202432	28.01	10	AP8220399	28.02	7
AP8152056	28.29	4	AP8202444	28.25	17	AP8220402	28.20	10
AP8152140	28.36	14	AP8202449	28.07	10	AP8220402	28.22	12
AP8152194	28.36	7	AP8202449	28.08	10	AP8220421	28.20	2
AP8152246	28.14	12	AP8202449	28.09	6	AP8220546	28.35	15
AP8152246	28.36	15	AP8202449	28.11	7	AP8220587	28.25	2
AP8152246	29.28	5	AP8203561	28.03	2	AP8220592	28.14	3
AP8152269	28.06	12	AP8203652	28.03	3	AP8220592	28.35	8
AP8152277	28.31	19	AP8203762	28.03	4	AP8220605	28.25	18
AP8152277	28.35	5	AP8203762	28.03	4	AP8220608	28.25	14
AP8152279	28.35	11	AP8203777	28.03	2	AP8220647	28.25	19
AP8152287	28.02	2	AP8203778	28.03	3	AP8220664	28.23	8
AP8152288	28.31	20	AP8203797	28.03	4	AP8220665	28.23	7
AP8152288	28.31	4	AP8203986	28.03	5	AP8220668	28.23	7
AP8152289	28.30	7	AP8206915	29.43	42	AP8220704	29.27	2
AP8152290	28.17	8	AP8208907	28.31	13	AP8220708	28.20	4
AP8152294	28.02	4	AP8208947	28.29	2	AP8220710	28.01	12
AP8152298	28.09	5	AP8208949	28.31	2	AP8220712	28.25	16
AP8152298	28.10	7	AP8209085	28.29	1	AP8221119	28.29	10
AP8152298	28.11	8	AP8209085	28.31	1	AP8221218	28.15	6
AP8152298	28.13	12	AP8213231	28.29	3	AP8221297	29.28	4
AP8152298	28.15	7	AP8213455	28.18	11	AP8221310	28.01	4
AP8152298	28.20	12	AP8213546	28.19	9	AP8221312	28.36	6
AP8152298	28.22	14	AP8213548	28.18	9	AP8221321	28.14	7
AP8152298	28.36	16	AP8213548	28.31	11	AP8221329	28.31	12
AP8152299	28.35	7	AP8213557	28.31	7	AP8221344	29.28	9
AP8152299	29.39	20	AP8213571	28.30	2	AP8221347	29.27	9

Code	No. table	Pos.	Code	No. table	Pos.	Code	No. table	Pos.
AP8221348	28.02	9	AP8234218	28.23	16	AP8277579	28.05	11
AP8223004	28.03	1	AP8234218	28.23	9	AP8277610	28.38	27
AP8223037	28.05	1	AP8234232	28.23	4	AP8550215	29.43	19
AP8223038	28.03	2	AP8234233	28.01	3	AP8570122	28.23	2
AP8223039	28.03	3	AP8234234	28.35	4	AP8706087	29.28	16
AP8223040	28.05	4	AP8235150	28.02	1	B013335	29.28	2
AP8223041	28.04	1	AP8235151	28.02	8	B015754	29.43	8
AP8223042	28.04	2	AP8235164	28.02	8	B043546	29.28	15
AP8223043	28.05	7	AP8249298	28.25	7	CM001905	29.53	3
AP8223044	28.05	8	AP8249299	28.25	8	CM001913	29.40	6
AP8223045	28.04	6	AP8249582	28.25	1	CM002901	29.43	36
AP8223046	28.04	4	AP8258241	28.25	12	CM002901	29.52	14
AP8223047	28.05	6	AP8258253	28.33	19	CM081208	28.18	8
AP8223048	28.05	5	AP8268037	28.20	1	CM081209	28.19	8
AP8223049	28.04	3	AP8268041	28.14	1	CM086813	28.22	6
AP8223050	28.04	5	AP8268042	28.15	2	CM100109	29.47	1
AP8223051	28.05	10	AP8268043	28.06	6	CM1002045	29.47	13
AP8223052	28.05	2	AP8268044	28.06	1	CM100601	29.46	8
AP8223053	28.05	3	AP8268046	28.10	3	CM100608	29.46	8
AP8223054	28.05	9	AP8268048	28.08	4	CM100615	29.46	8
AP8223060	28.01	2	AP8268053	28.08	5	CM100615	29.46	8
AP8224073	28.35	16	AP8268054	28.07	3	CM100616	29.46	8
AP8224164	28.33	20	AP8268055	28.08	3	CM101509	29.51	10
AP8224578	28.35	9	AP8268057	28.11	2	CM101605	29.51	11
AP8224586	28.32	1	AP8268058	28.15	1	CM101704	29.43	11
AP8224587	28.33	1	AP8268059	28.07	1	CM101711	29.43	11
AP8224589	28.32	2	AP8268062	28.14	9	CM102103	29.43	12
AP8224590	28.32	3	AP8268063	28.11	3	CM105905	29.43	16
AP8224591	28.33	4	AP8268064	28.11	4	CM106229	29.43	43
AP8224592	28.33	3	AP8268078	28.07	4	CM107510	29.43	17
AP8224619	28.18	1	AP8268079	28.06	2	CM107701	29.43	29
AP8224620	28.19	1	AP8268082	28.08	6	CM1102025	29.46	5
AP8224621	28.35	13	AP8268083	28.09	2	CM1102035	29.46	5
AP8224623	28.09	11	AP8268084	28.14	2	CM110301	29.46	7
AP8224624	28.33	7	AP8268174	28.22	1	CM110304	29.46	7
AP8224639	28.18	1	AP8268250	28.17	4	CM1273235	29.39	1
AP8224644	28.20	3	AP8268251	28.06	4	CM128501	29.43	18
AP8224646	28.32	1	AP8268252	28.06	5	CM141710	29.43	15
AP8224652	28.36	1	AP8268253	28.09	3	CM141711	29.43	15
AP8224653	28.36	1	AP8268254	28.23	18	CM1439035	29.27	1
AP8224655	28.33	14	AP8268255	28.33	9			
AP8224656	28.32	6	AP8268259	28.23	1			
AP8224657	28.32	7	AP8268292	28.07	2			
AP8224658	28.33	2	AP8268293	28.06	3			
AP8224659	28.32	4	AP8268294	28.11	1			
AP8224660	28.32	5	AP8268309	28.07	5			
AP8224661	28.33	6	AP8268313	28.08	1			
AP8224662	28.33	5	AP8268314	28.08	2			
AP8224666	28.32	10	AP8268315	28.13	1			
AP8225123	28.29	5	AP8268316	28.13	2			
AP8225271	28.29	12	AP8268345	28.08	1			
AP8225319	28.31	27	AP8268346	28.08	2			
AP8225322	28.31	21	AP8268580	28.08	1			
AP8225323	28.29	13	AP8268581	28.08	2			
AP8225369	28.14	4	AP8268582	28.13	1			
AP8225369	28.35	6	AP8268583	28.13	2			
AP8226790	28.15	4	AP8269259	28.13	3			
AP8226801	28.15	3	AP8269260	28.13	4			
AP8226802	28.09	1	AP8269395	28.10	1			
AP8226844	28.15	4	AP8269396	28.10	2			
AP8229401	28.12	3	AP8269397	28.10	4			
AP8229402	28.12	4	AP8269399	28.13	5			
AP8229403	28.12	5	AP8269400	28.13	7			
AP8229404	28.12	6	AP8269401	28.13	6			
AP8234195	28.14	5	AP8269402	28.13	8			
AP8234195	28.35	4	AP8276033	29.43	17			
AP8234213	29.39	17	AP8277221	28.37	2			

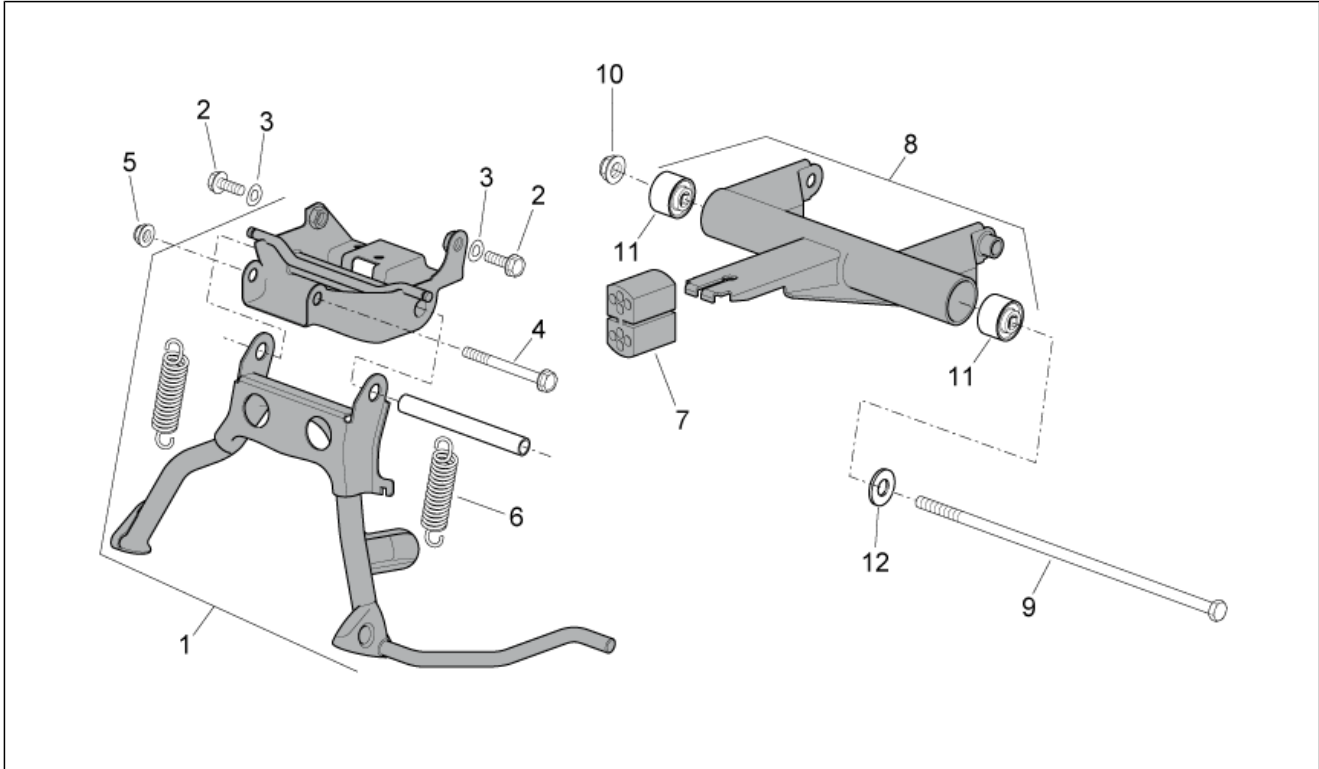


<b>Group</b>	FRAME
<b>Code</b>	28.01
<b>Description</b>	Frame
<b>Service</b>	1



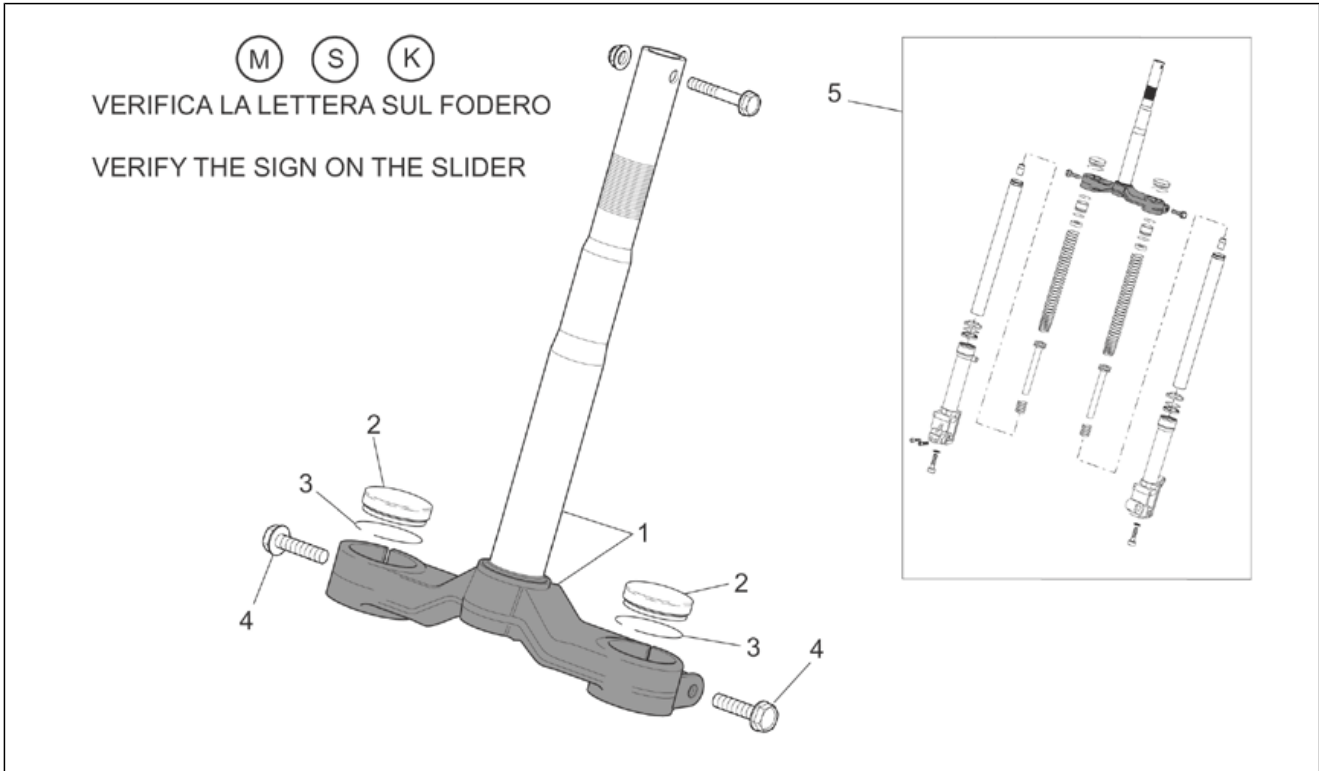
Pos.	Code	Description	Qty	Variants
1	8530325	Frame with electro-coating	1	
2	AP8223060	Ball ring set, complete	1	
3	AP8234233	Support	1	
4	AP8221310	Cable-guide	2	
5	AP8102375	Clip m5	5	
6	254485	Spring plate M6	8	
7	598839	Screw w/ flange	2	
8	AP8120416	Black hose 178x4	2	
9	AP8120657	Hose clamp	1	
10	852232	Toolkit	1	<b>Technical Specifications:</b> Carburetor Version (C364M)[carb]
10	AP8202432	Toolkit	1	<b>Technical Specifications:</b> Injection Version (C361M)[ie]
11	AP8217040	Die cut protection	1	
12	AP8220710	Low dust cover	1	

<b>Group</b>	FRAME
<b>Code</b>	28.02
<b>Description</b>	Central stand - Connecting rod
<b>Service</b>	1



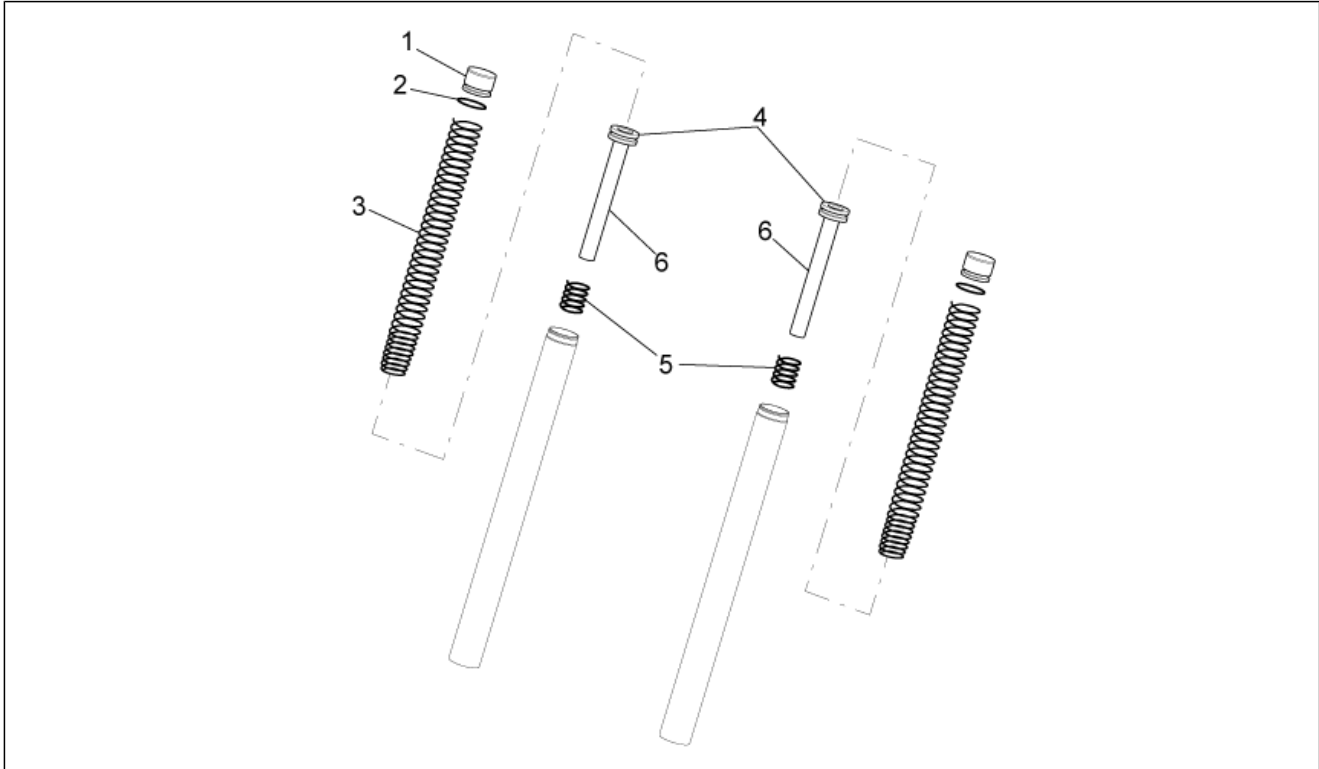
Pos.	Code	Description	Qty	Variants
1	AP8235150	Central stand	1	
2	AP8152287	Screw w/ flange M8x25	2	
3	AP8150376	Washer 8,5x15x0,8	2	
4	AP8152294	Screw w/ flange	1	
5	AP8152300	Self-locking nut M8	1	
6	278940	Spring	2	
7	AP8220399	Fuse drift	1	
8	AP8235151	Engine connecting element	1	Country:Australia[AU], Switzerland[CH]
8	AP8235164	Engine connecting element	1	Technical Specifications:Carburetor Version (C364M)[carb]
9	AP8221348	Pin	1	
10	AP8152301	Self-locking nut	1	
11	AP8220346	Silent-block	2	
12	AP8150020	Washer 10,5x21x2*	1	

<b>Group</b>	FRAME
<b>Code</b>	28.03
<b>Description</b>	Front fork I
<b>Service</b>	1



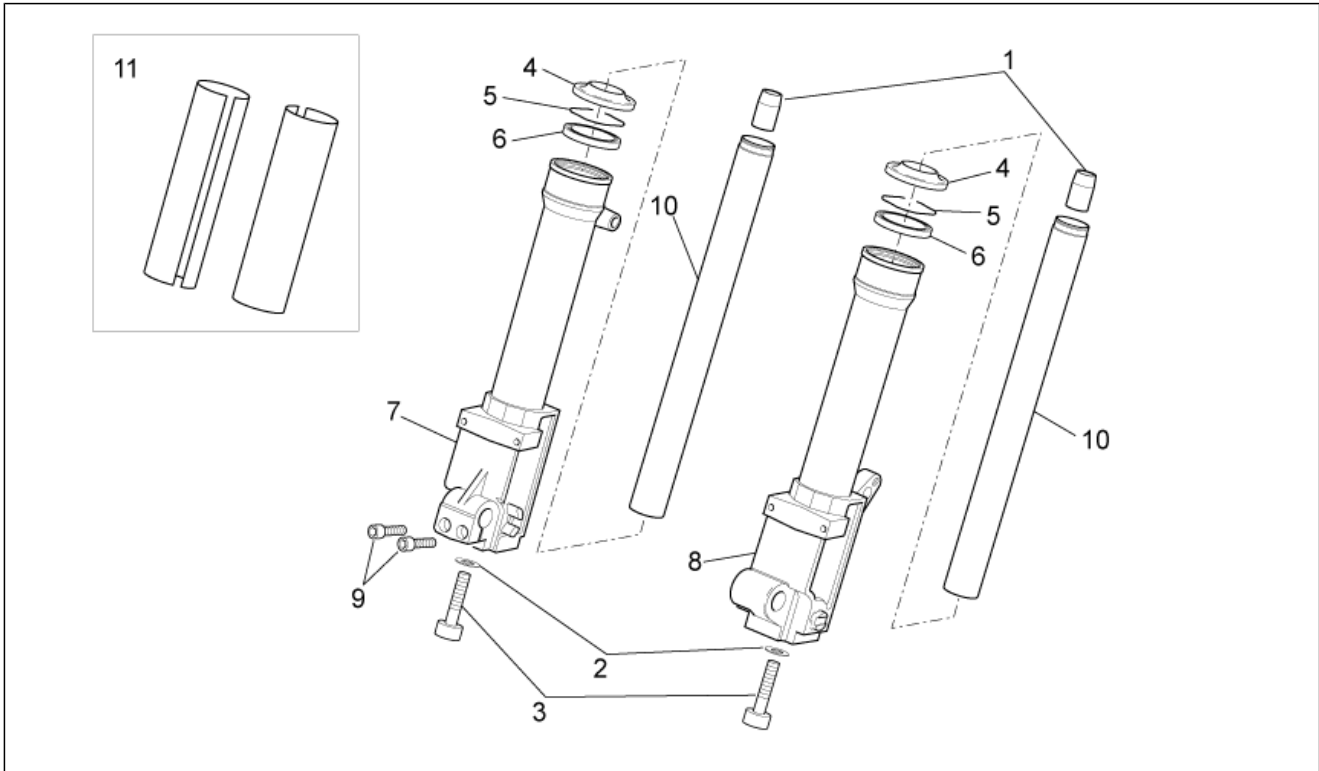
Pos.	Code	Description	Qty	Variants
1	AP8223004	Stem base	1	
2	AP8203561	Plug	2	<b>Technical Specifications:</b>
2	AP8203777	Plug	2	<b>Technical Specifications:</b> Showa[S]
2	AP8223038	Plug	2	<b>Technical Specifications:</b> Kaifa[K]
3	AP8203652	O-ring	2	<b>Technical Specifications:</b>
3	AP8203778	Ring	2	<b>Technical Specifications:</b> Showa[S]
3	AP8223039	Ring	2	<b>Technical Specifications:</b> Kaifa[K]
4	AP8203762	screw M10x35	2	<b>Technical Specifications:</b>
4	AP8203762	screw M10x35	2	<b>Technical Specifications:</b> Kaifa[K]
4	AP8203797	screw	2	<b>Technical Specifications:</b> Showa[S]
5	AP8203986	Front fork	1	

<b>Group</b>	FRAME
<b>Code</b>	28.04
<b>Description</b>	Fork II
<b>Service</b>	1



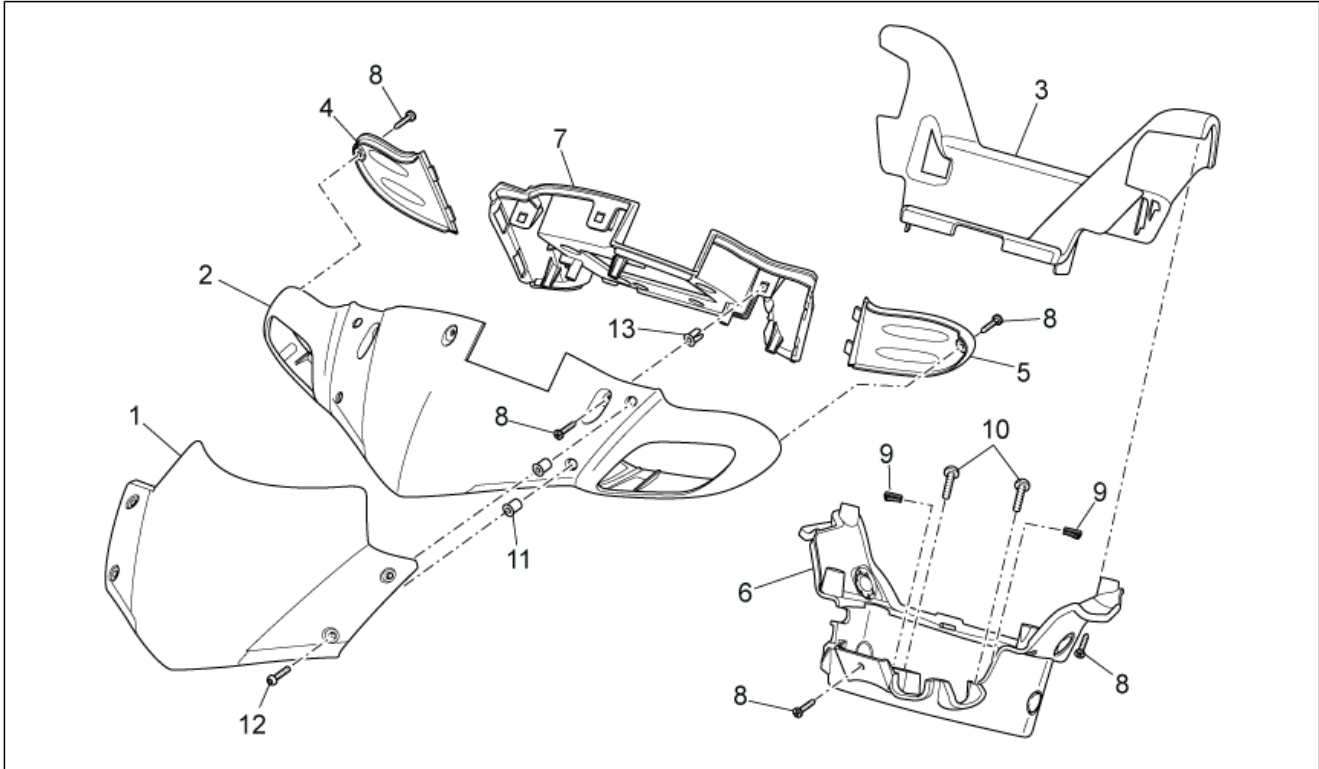
Pos.	Code	Description	Qty	Variants
1	AP8223041	Cover	2	
2	AP8223042	O-ring	2	
3	AP8223049	Spring	2	
4	AP8223046	Fork pump ring	1	
5	AP8223050	Return spring	2	
6	AP8223045	Plunger, complete	2	

<b>Group</b>	FRAME
<b>Code</b>	28.05
<b>Description</b>	Front fork III
<b>Service</b>	1



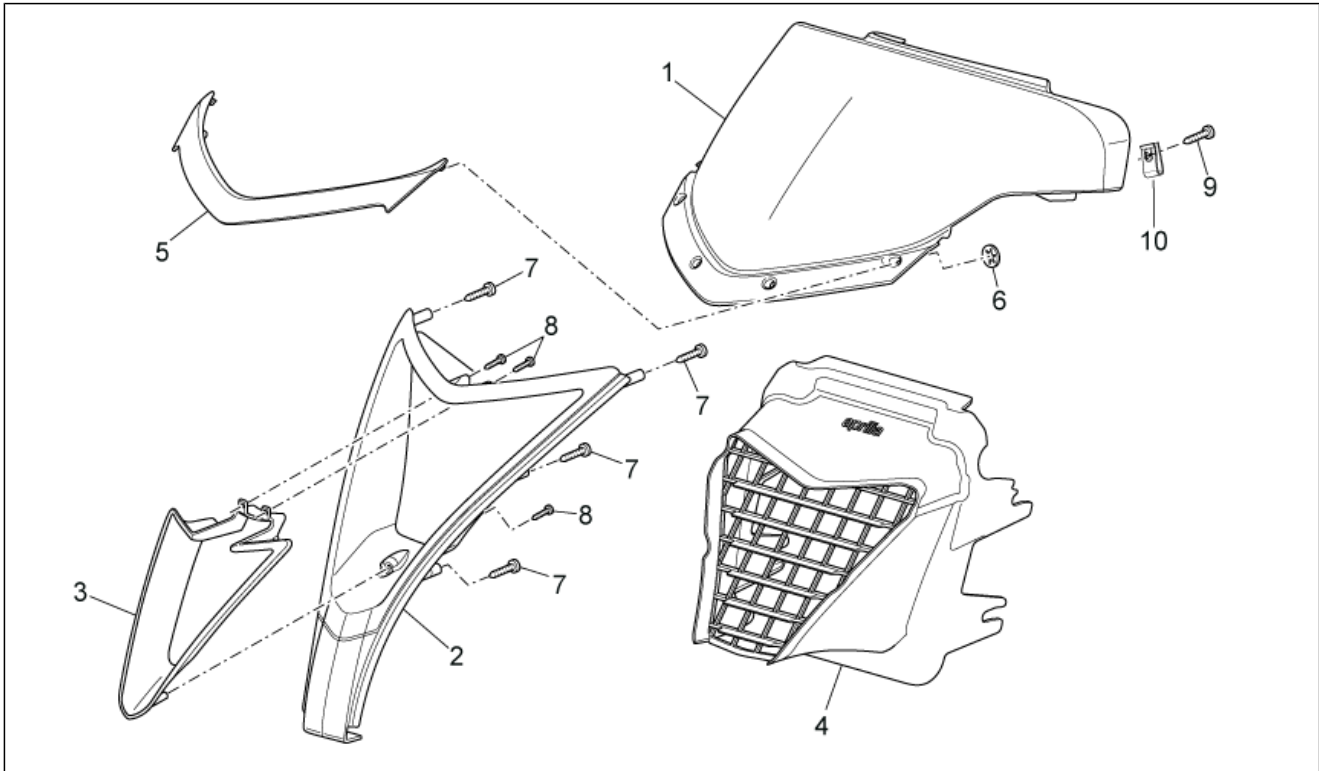
Pos.	Code	Description	Qty	Variants
1	AP8223037	Stroke limit stop	2	
2	AP8223052	Washer	2	
3	AP8223053	screw	2	
4	AP8223040	Dust cover	2	
5	AP8223048	Stop ring	2	
6	AP8223047	Oil seal	2	
7	AP8223043	RH sleeve	1	
8	AP8223044	LH sleeve	1	
9	AP8223054	Hex socket screw M6x20	2	
10	AP8223051	Sleeve cpl.	2	
11	AP8277579	Front fork decal	2	

<b>Group</b>	FRAME
<b>Code</b>	28.06
<b>Description</b>	Front body I
<b>Service</b>	1



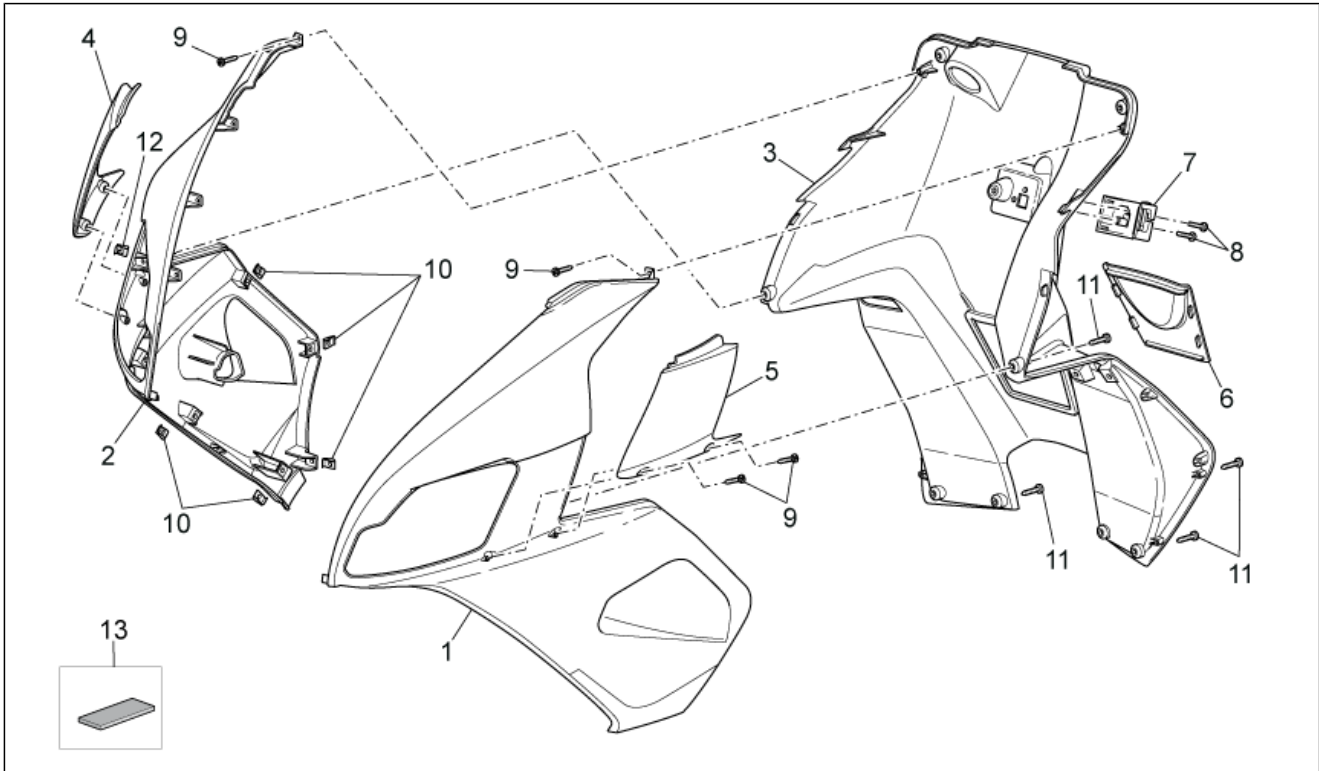
Pos.	Code	Description	Qty	Variants
1	AP8268044	Front fairing windshield,black	1	
2	AP8268079	Dashboard panel, grey	1	
3	AP8268293	Handlebar cover, black	1	
4	AP8268251	RH turn indicator, grey	1	
5	AP8268252	LH turn indicator, grey	1	
6	AP8268043	Under dash, black	1	
7	852751	Dashboard panel, grey	1	
8	AP8150413	Self-tap screw 3,9x14	12	
9	AP8102381	Clip M4	2	
10	AP8150493	Hex socket screw M4x16	2	
11	AP8120531	Rubber w/ insert	4	
12	AP8152269	Hex socket screw	4	
13	AP8102671	Plastic rivet	3	

<b>Group</b>	FRAME
<b>Code</b>	28.07
<b>Description</b>	Front body II
<b>Service</b>	1



Pos.	Code	Description	Qty	Variants
1	AP8268059	Front fairing, black	1	
2	AP8268292	Frame grille, black	1	
3	AP8268054	Radiator grille, grey	1	
4	AP8268078	Air duct, black	1	
5	AP8268309	Guard, white	1	
6	AP8150450	Washer for shafts D5	4	
7	AP8150413	Self-tap screw 3,9x14	6	
8	AP8150421	Self-tap screw 2,9x12	3	
9	AP8152351	Screw 4,2x16*	2	
10	AP8202449	Clip	2	

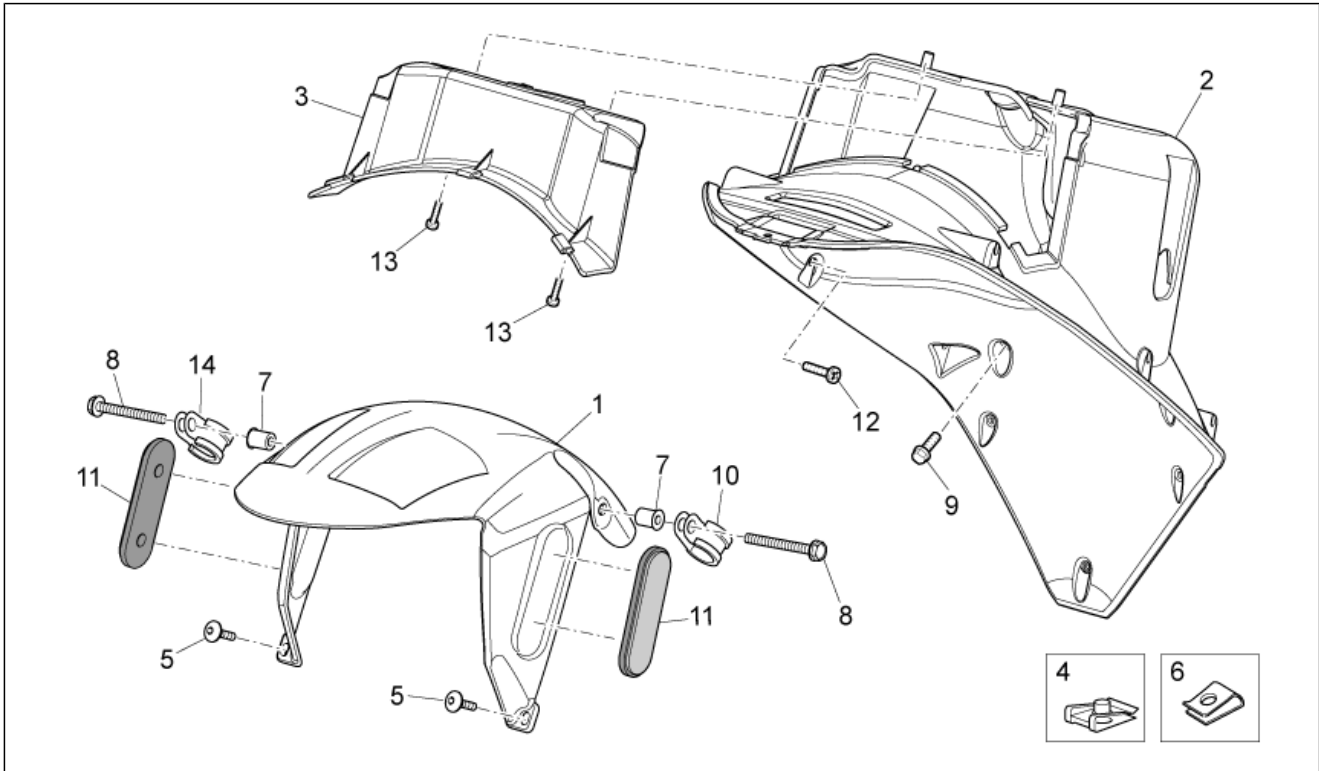
<b>Group</b>	FRAME
<b>Code</b>	28.08
<b>Description</b>	Front body III
<b>Service</b>	1



Pos.	Code	Description	Qty	Variants
1	ZH000324000H4	***SHIELD	1	Vehicle colour:Comet Silver[arg] Technical Specifications:no decals[ND]
1	AP8268313	RH front fairing, white	1	Vehicle colour:Aprilia white[white] Technical Specifications:no decals[ND]
1	AP8268345	RH front fairing, red fluo	1	Vehicle colour:Fluo Red[fluo] Technical Specifications:no decals[ND]
1	AP8268580	RH front fairing, black	1	Vehicle colour:Diablo Black[black] Technical Specifications:no decals[ND]
2	ZH000325000H4	***SHIELD	1	Vehicle colour:Comet Silver[arg] Technical Specifications:no decals[ND]
2	AP8268314	LH front fairing, white	1	Vehicle colour:Aprilia white[white] Technical Specifications:no decals[ND]
2	AP8268346	LH front fairing, red fluo	1	Vehicle colour:Fluo Red[fluo] Technical Specifications:no decals[ND]
2	AP8268581	LH front fairing, black	1	Vehicle colour:Diablo Black[black] Technical Specifications:no decals[ND]
3	AP8268055	Internal shield, black	1	
4	AP8268048	RH baffle, black	1	
5	AP8268053	LH baffle, black	1	
6	AP8268082	Type appr.data cover, black	1	
7	AP8201534	Undersaddle hook cpl.	1	
8	AP8150423	Screw 4,2x25*	2	
9	AP8150413	Self-tap screw 3,9x14	6	
10	AP8202449	Clip	20	
11	AP8152351	Screw 4,2x16*	10	
12	AP8102381	Clip M4	4	
13	AP8117073	Adhesive sponge	1	

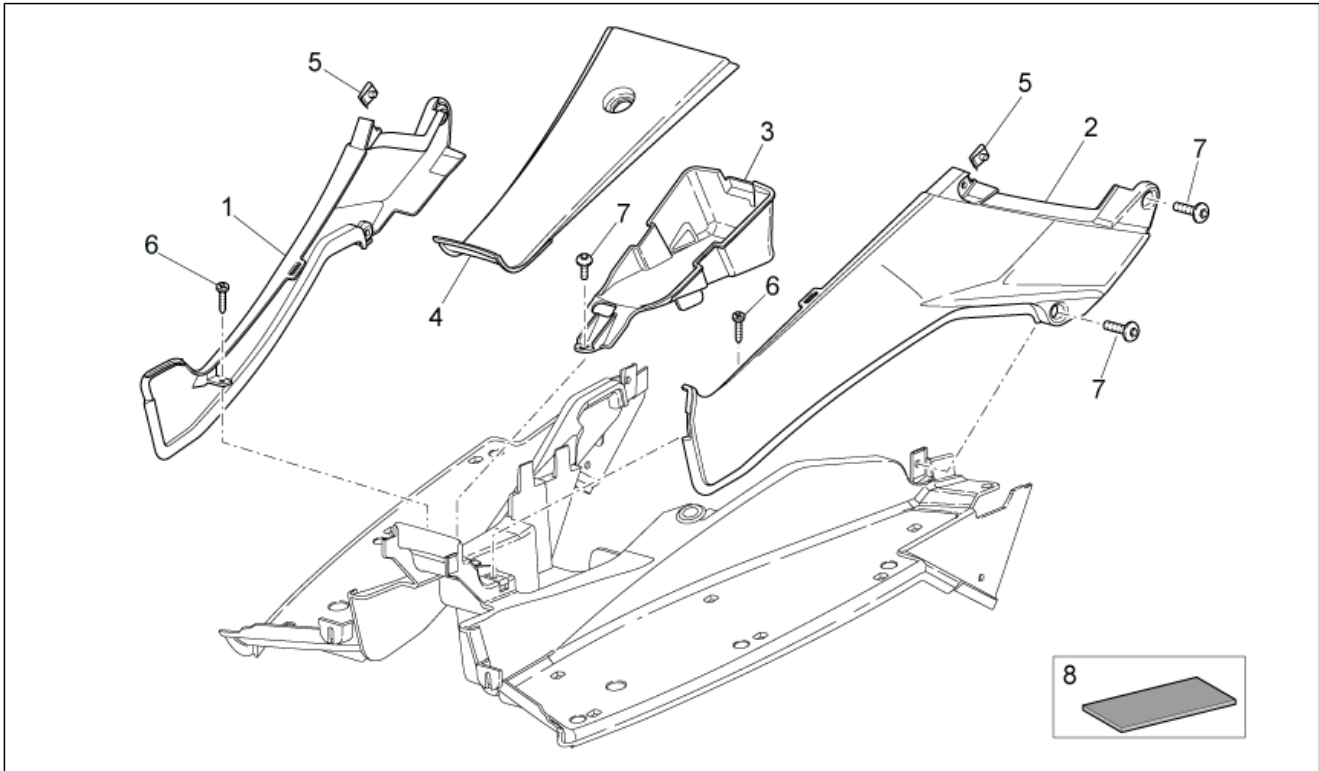


<b>Group</b>	FRAME
<b>Code</b>	28.09
<b>Description</b>	Front body IV
<b>Service</b>	1



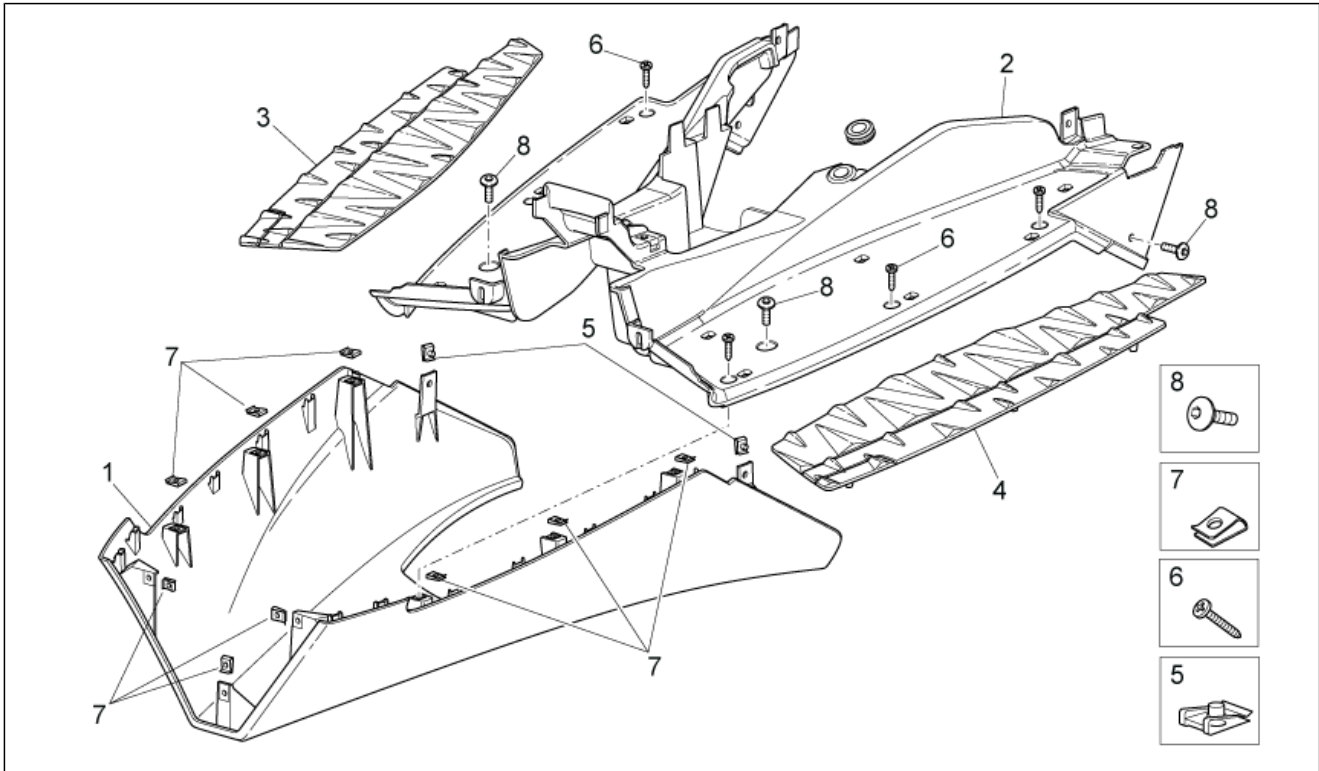
Pos.	Code	Description	Qty	Variants
1	AP8226802	Front mudguard, black	1	
2	AP8268083	Wheel compartment	1	
3	AP8268253	Wheel compartment door	1	
4	254485	Spring plate M6	2	
5	AP8152298	Screw w/ flange M5x16	2	
6	AP8202449	Clip	1	
7	AP8120531	Rubber w/ insert	2	
8	AP8152341	Screw w/ flange M5x40	2	
9	598839	Screw w/ flange	2	
10	AP8134167	Brake hose hanger	1	
11	AP8224623	Reflector, amber	2	
12	AP8152351	Screw 4,2x16*	10	
13	AP8150413	Self-tap screw 3,9x14	2	
14	AP8104451	Cable-guide	1	

<b>Group</b>	FRAME
<b>Code</b>	28.10
<b>Description</b>	Central body I
<b>Service</b>	1



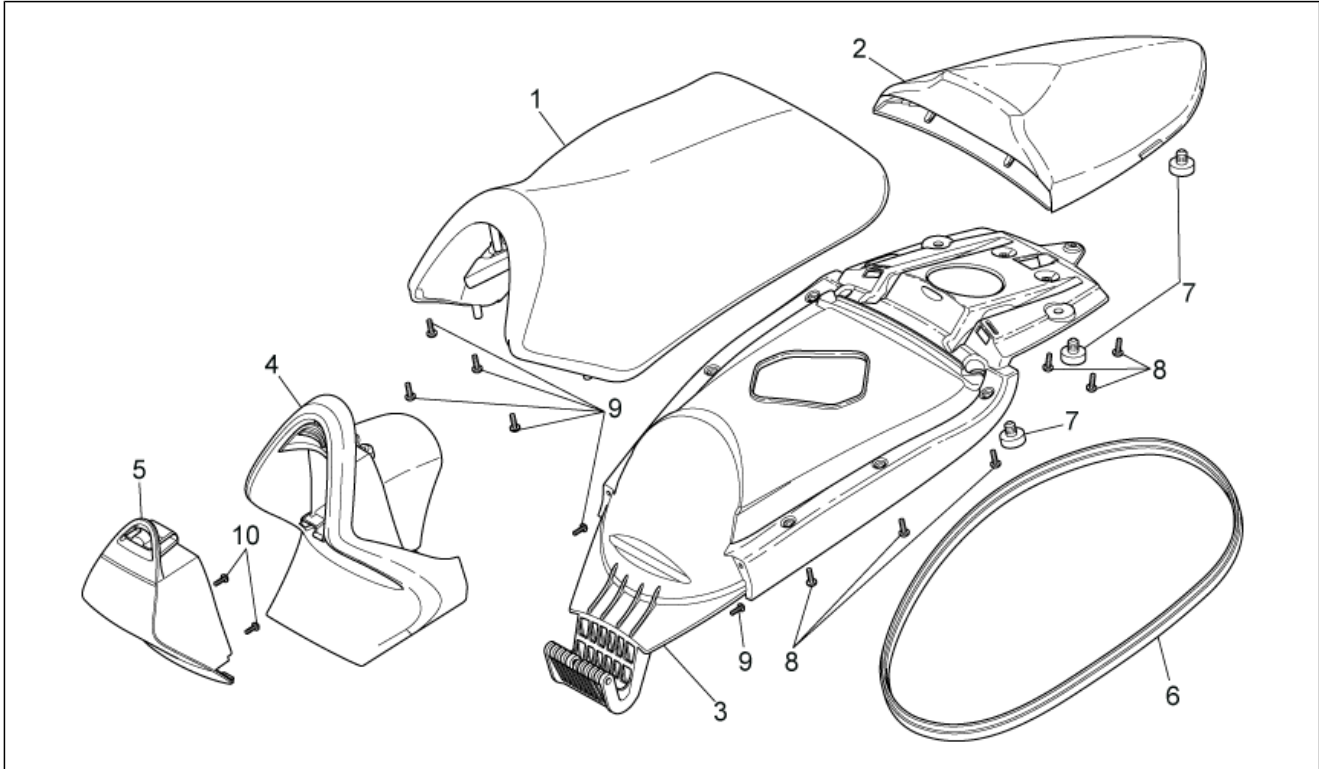
Pos.	Code	Description	Qty	Variants
1	AP8269395	RH Tunnel, black	1	
2	AP8269396	LH Tunnel, black	1	
3	AP8268046	Glove compartment	1	
4	AP8269397	Tunnel cover, black	1	
5	AP8102375	Clip m5	3	
6	AP8152351	Screw 4,2x16*	2	
7	AP8152298	Screw w/ flange M5x16	5	
8	AP8117040	Adhesive sponge, black 6x60	1	

<b>Group</b>	FRAME
<b>Code</b>	28.11
<b>Description</b>	Central body II
<b>Service</b>	1



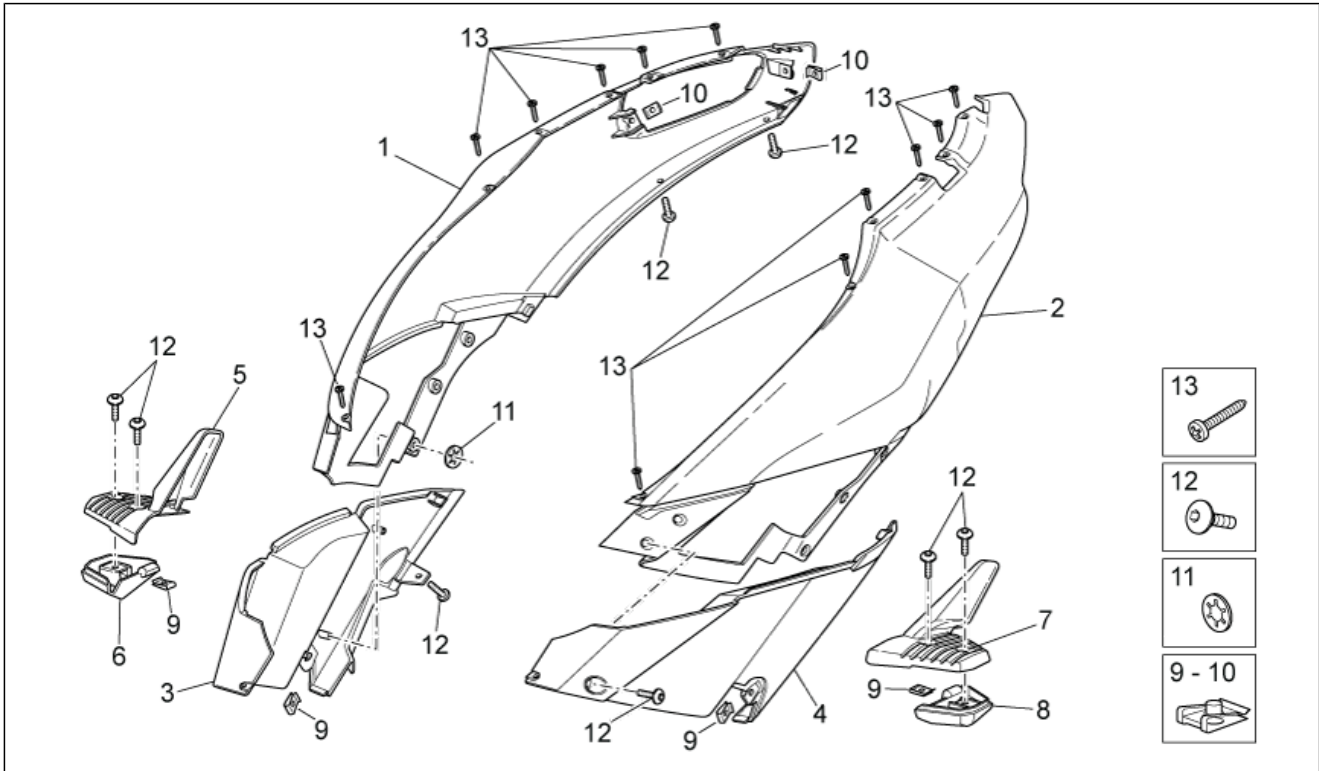
Pos.	Code	Description	Qty	Variants
1	AP8268294	Underpanel, black	1	<b>Technical Specifications:</b> no decals[ND]
2	AP8268057	Floor panel, black	1	
3	AP8268063	RH mat, black	1	
4	AP8268064	LH mat, black	1	
5	AP8102375	Clip m5	5	
6	AP8152351	Screw 4,2x16*	9	
7	AP8202449	Clip	13	
8	AP8152298	Screw w/ flange M5x16	8	

<b>Group</b>	FRAME
<b>Code</b>	28.12
<b>Description</b>	Saddle - Handle
<b>Service</b>	1



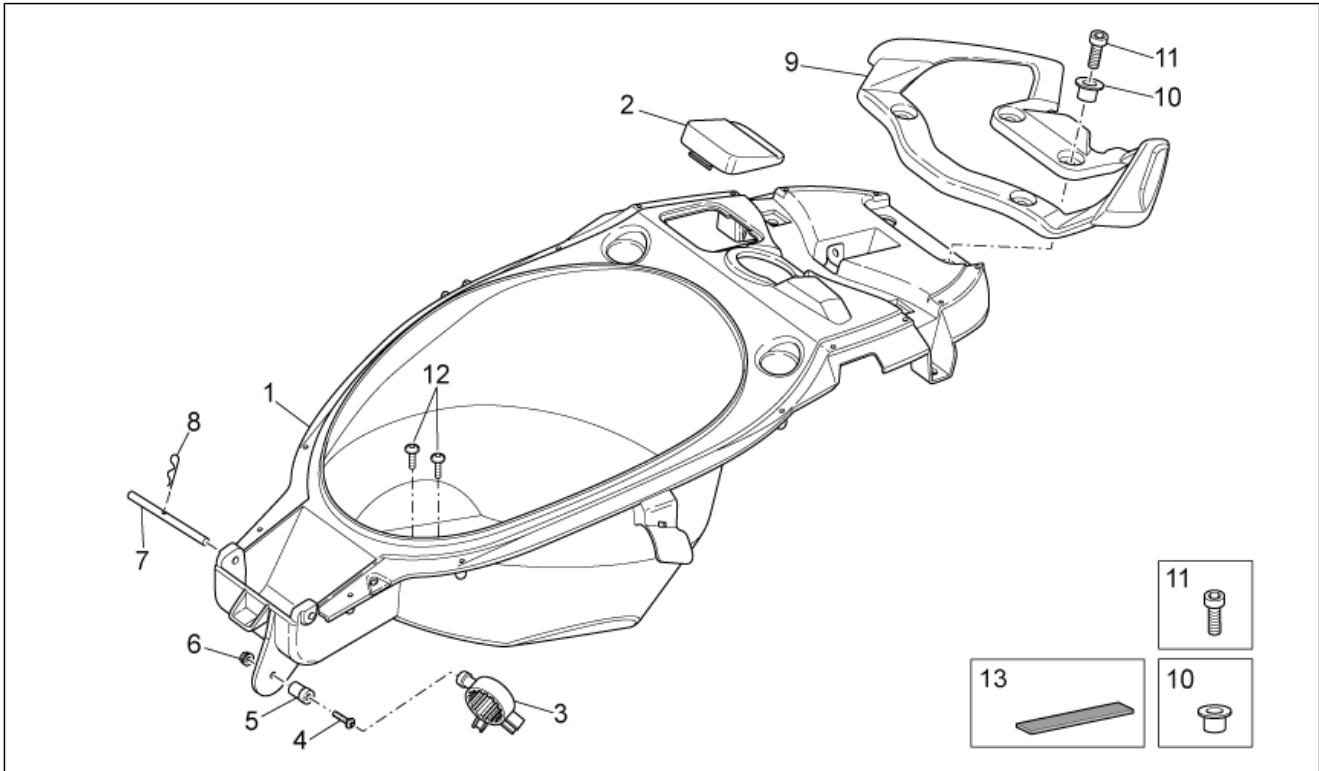
Pos.	Code	Description	Qty	Variants
1	2R000078	Driver saddle	1	
2	2R000079	Rear saddle	1	
3	AP8229401	Saddle bottom, cpl.	1	
4	AP8229402	Saddle pillar, black	1	
5	AP8229403	Box	1	
6	AP8229404	Gasket	1	
7	AP8220349	Rubber spacer	5	
8	AP8150509	Self-tap screw 5x14	9	
9	AP8150413	Self-tap screw 3,9x14	6	
10	AP8150444	Self-tapping screw	2	

<b>Group</b>	FRAME
<b>Code</b>	28.13
<b>Description</b>	Rear body I
<b>Service</b>	1



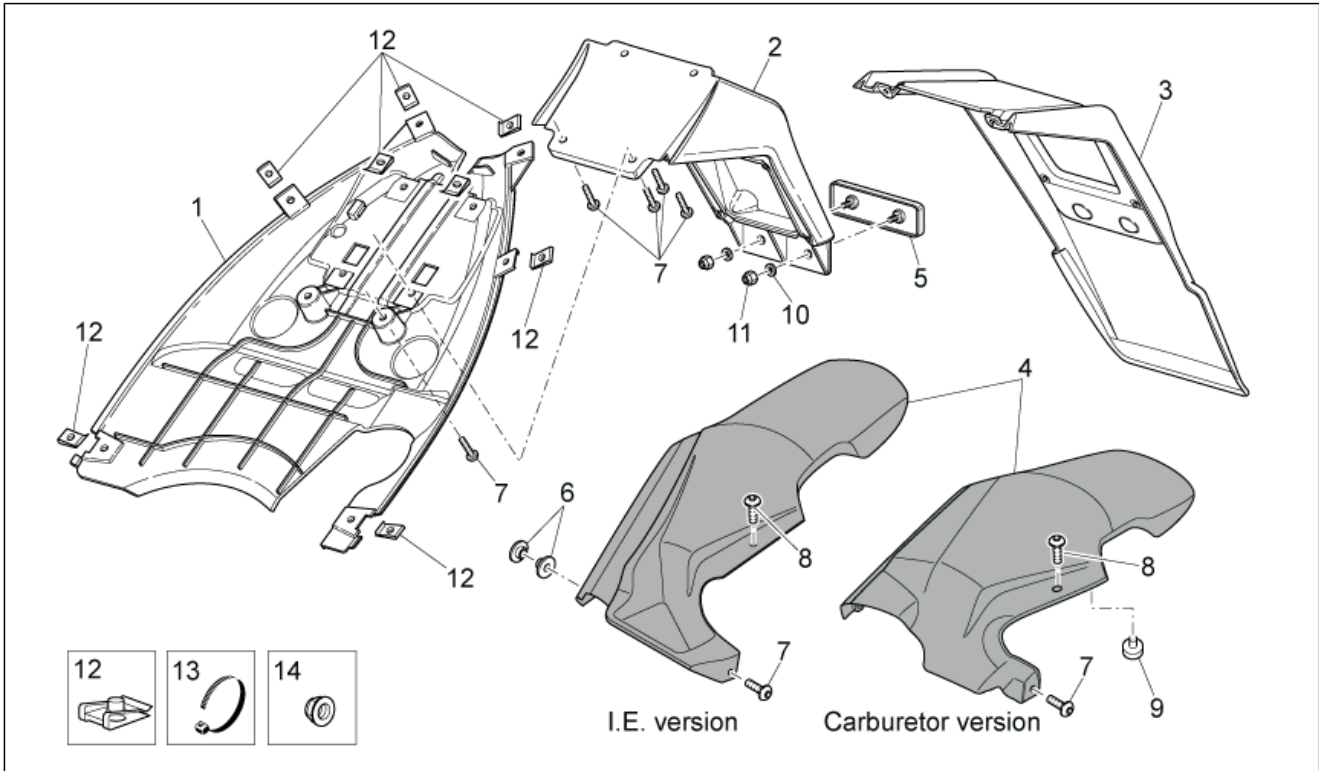
Pos.	Code	Description	Qty	Variants
1	ZH000326000H4	RH rear fairing, silver	1	Vehicle colour:Comet Silver[arg] Technical Specifications:no decals[ND]
1	AP8179912	RH rear fairing, red fluo	1	Vehicle colour:Fluo Red[fluo] Technical Specifications:no decals[ND]
1	AP8268315	RH rear fairing, white	1	Vehicle colour:Aprilia white[white] Technical Specifications:no decals[ND]
1	AP8268582	RH rear fairing, black	1	Vehicle colour:Diablo Black[black] Technical Specifications:no decals[ND]
2	ZH000327000H4	LH rear fairing, silver	1	Vehicle colour:Comet Silver[arg] Technical Specifications:no decals[ND]
2	AP8179913	LH rear fairing, red fluo	1	Vehicle colour:Fluo Red[fluo] Technical Specifications:no decals[ND]
2	AP8268316	LH rear fairing, white	1	Vehicle colour:Aprilia white[white] Technical Specifications:no decals[ND]
2	AP8268583	LH rear fairing, black	1	Vehicle colour:Diablo Black[black] Technical Specifications:no decals[ND]
3	AP8269259	Pillar, black	1	
4	AP8269260	Pillar, black	1	
5	AP8269399	RH footrests cover, black	1	
6	AP8269401	RH Footrest housing, black	1	
7	AP8269400	LH Rear footrest cover, black	1	
8	AP8269402	LH Footrest housing, black	1	
9	AP8102375	Clip m5	4	
10	AP8102381	Clip M4	4	
11	AP8150450	Washer for shafts D5	8	
12	AP8152298	Screw w/ flange M5x16	2	
13	AP8150413	Self-tap screw 3,9x14	12	

<b>Group</b>	FRAME
<b>Code</b>	28.14
<b>Description</b>	Rear body II
<b>Service</b>	1



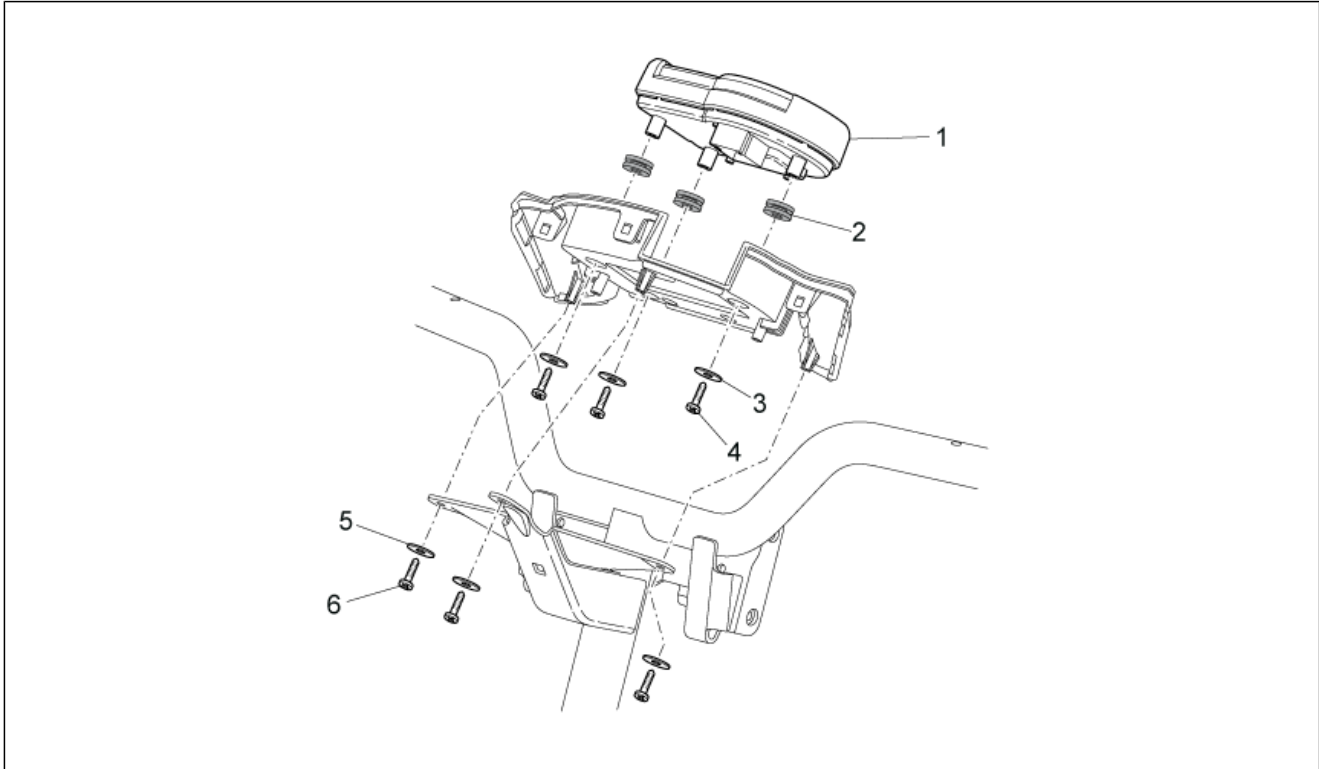
Pos.	Code	Description	Qty	Variants
1	AP8268041	Helmet compartment	1	
2	AP8268084	Fuel sens. cover	1	
3	AP8220592	Fuel pump support	1	<b>Technical Specifications:</b> Injection Version (C361M)[ie]
4	AP8225369	Hex socket screw	1	
5	AP8234195	Pin	1	
6	AP8152306	Self-locking nut m5	1	
7	AP8221321	Saddle spin	1	
8	AP8201643	Split pin	1	
9	AP8268062	Pillion grab bar, black	1	
10	AP8121679	T bush *	4	
11	AP8150165	Hex socket screw M6x25	4	<b>Technical Specifications:</b> Injection Version (C361M)[ie]
12	AP8152246	Screw w/ flange M6x16	2	
13	AP8117033	Adhesive sponge	2	

<b>Group</b>	FRAME
<b>Code</b>	28.15
<b>Description</b>	Rear body III
<b>Service</b>	1



Pos.	Code	Description	Qty	Variants
1	AP8268058	Fuel tank prot., black	1	
2	AP8268042	Number plate holder, black	1	
3	AP8226801	Rear splash guard, black	1	
4	AP8226790	Rear mudguard	1	<b>Technical Specifications:</b> Carburetor Version (C364M)[carb]
4	AP8226844	Rear mudguard, black	1	<b>Technical Specifications:</b> Injection Version (C361M)[ie]
5	AP8112916	Rear reflector	1	
6	AP8221218	Mudguard bush	2	
7	AP8152298	Screw w/ flange M5x16	14	
8	AP8152302	Screw w/ flange M5x12	1	
9	AP8144081	Rubber spacer	1	<b>Technical Specifications:</b> Carburetor Version (C364M)[carb]
10	AP8150158	Washer 4,3X9X0,8	2	
11	AP8150204	Nut M4	2	
12	AP8102375	Clip m5	10	
13	AP8120416	Black hose 178x4	1	
14	AP8152306	Self-locking nut m5	3	

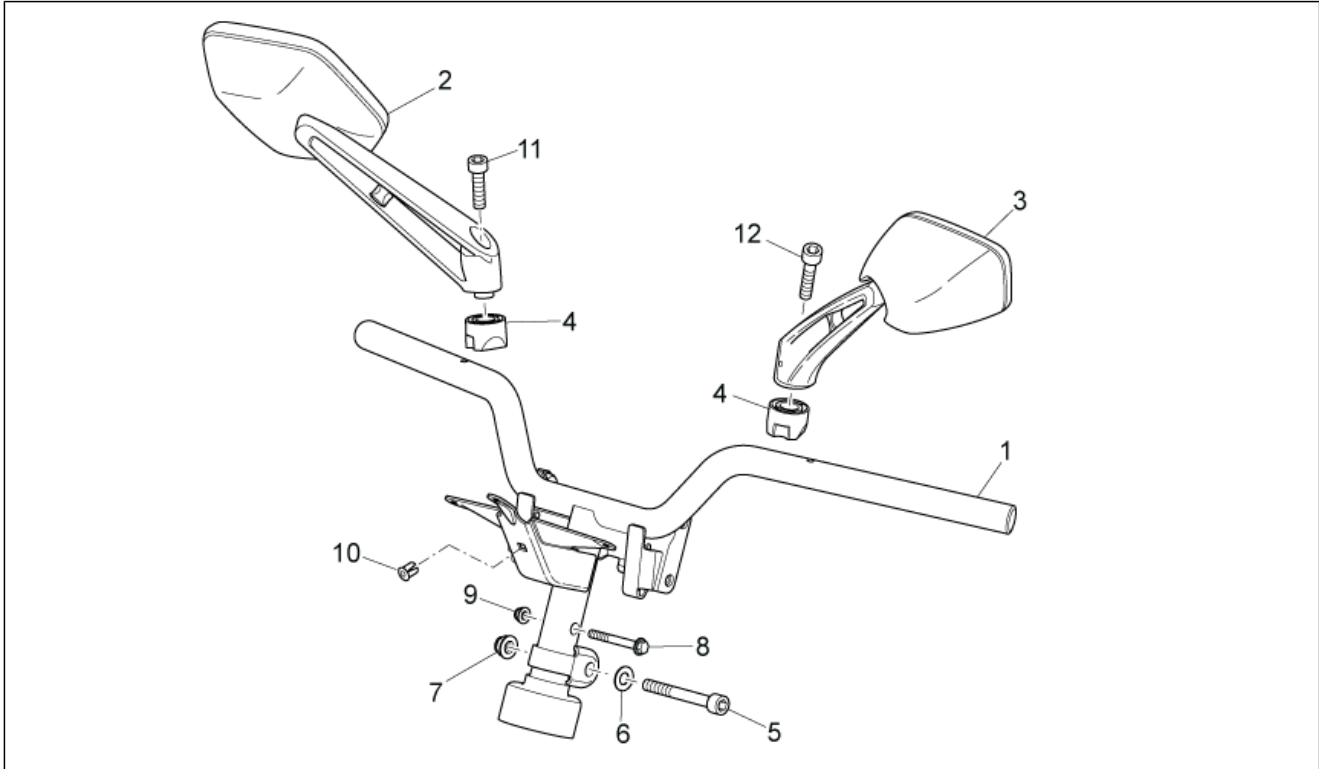
<b>Group</b>	FRAME
<b>Code</b>	28.16
<b>Description</b>	Dashboard
<b>Service</b>	1



Pos.	Code	Description	Qty	Variants
1	890622	Dashboard	1	<b>Technical Specifications:</b> Injection Version (C361M)[ie]
1	890623	Dashboard	1	<b>Technical Specifications:</b> Carburetor Version (C364M)[carb]
2	AP8220150	Rubber spacer	3	
3	AP8150255	Washer 5x20x1,5	3	
4	AP8150509	Self-tap screw 5x14	3	
5	AP8150382	Washer 15x5,5X1,2	3	
6	AP8150413	Self-tap screw 3,9x14	3	

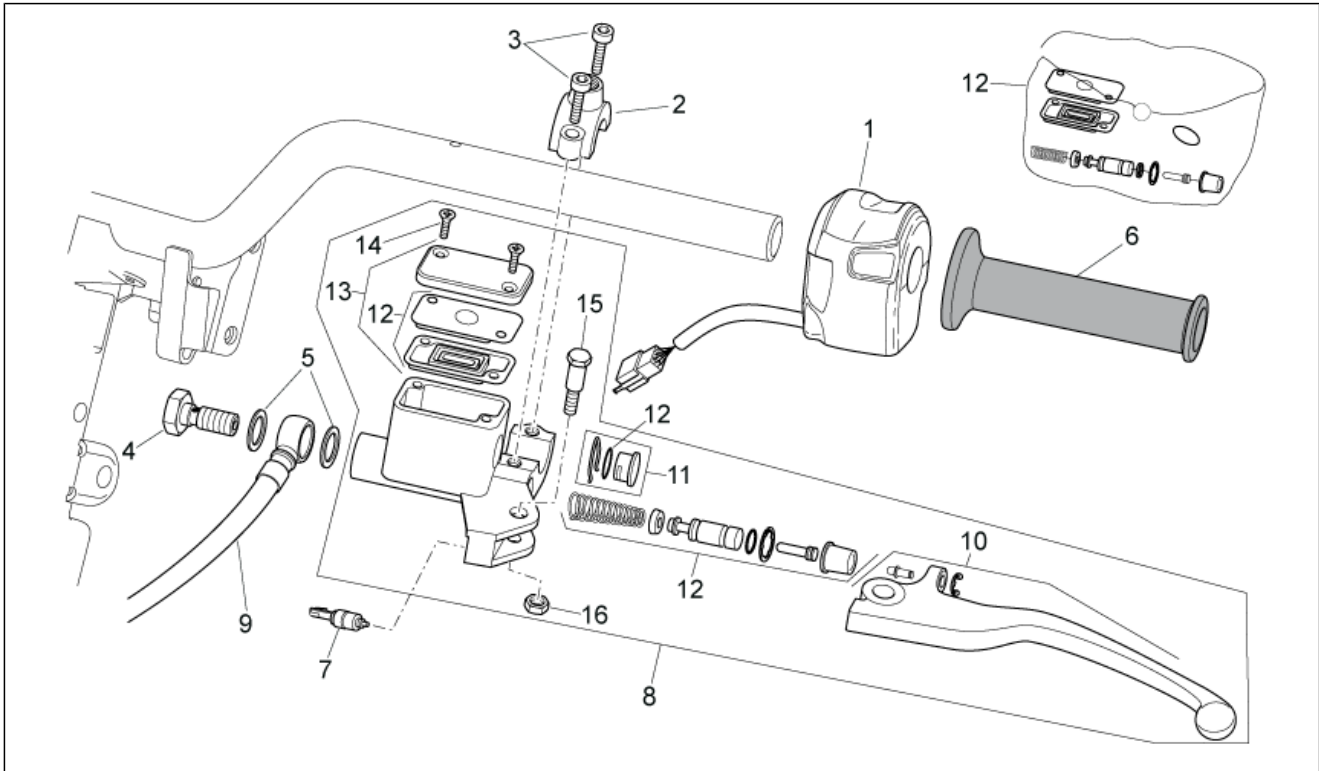


<b>Group</b>	FRAME
<b>Code</b>	28.17
<b>Description</b>	Handlebar
<b>Service</b>	1



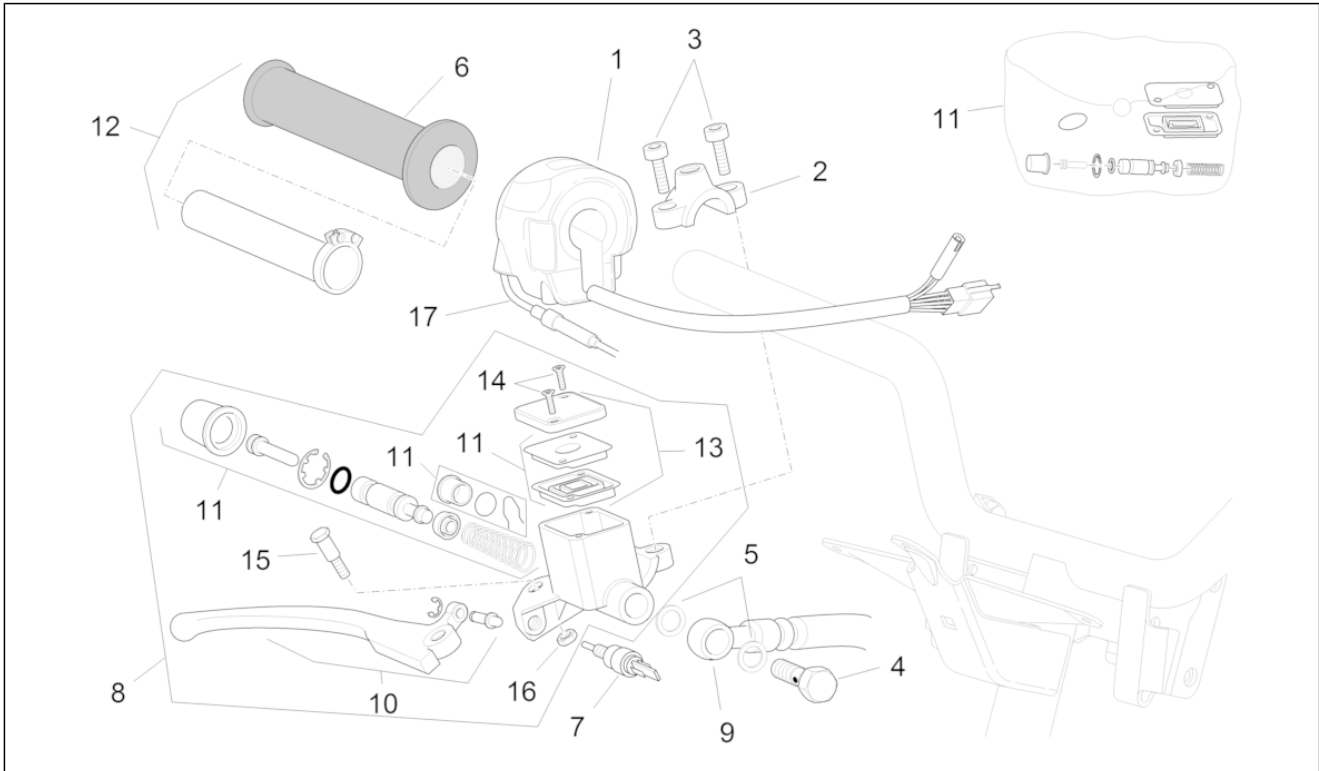
Pos.	Code	Description	Qty	Variants
1	AP8218638	Handlebar w phor ctng.	1	
2	AP8202394	RH rearview mirror	1	
3	AP8202395	LH rearview mirror	1	
4	AP8268250	Rearview mirror base	2	
5	AP8150086	Hex socket screw	1	
6	AP8150020	Washer 10,5x21x2*	1	
7	AP8152301	Self-locking nut	1	
8	AP8152290	Screw w/ flange M8x40	1	
9	AP8152300	Self-locking nut M8	1	
10	AP8102671	Plastic rivet	1	
11	AP8152477	screw	1	
12	AP8150107	Hex socket screw M8x30	1	

<b>Group</b>	FRAME
<b>Code</b>	28.18
<b>Description</b>	LH Controls
<b>Service</b>	1



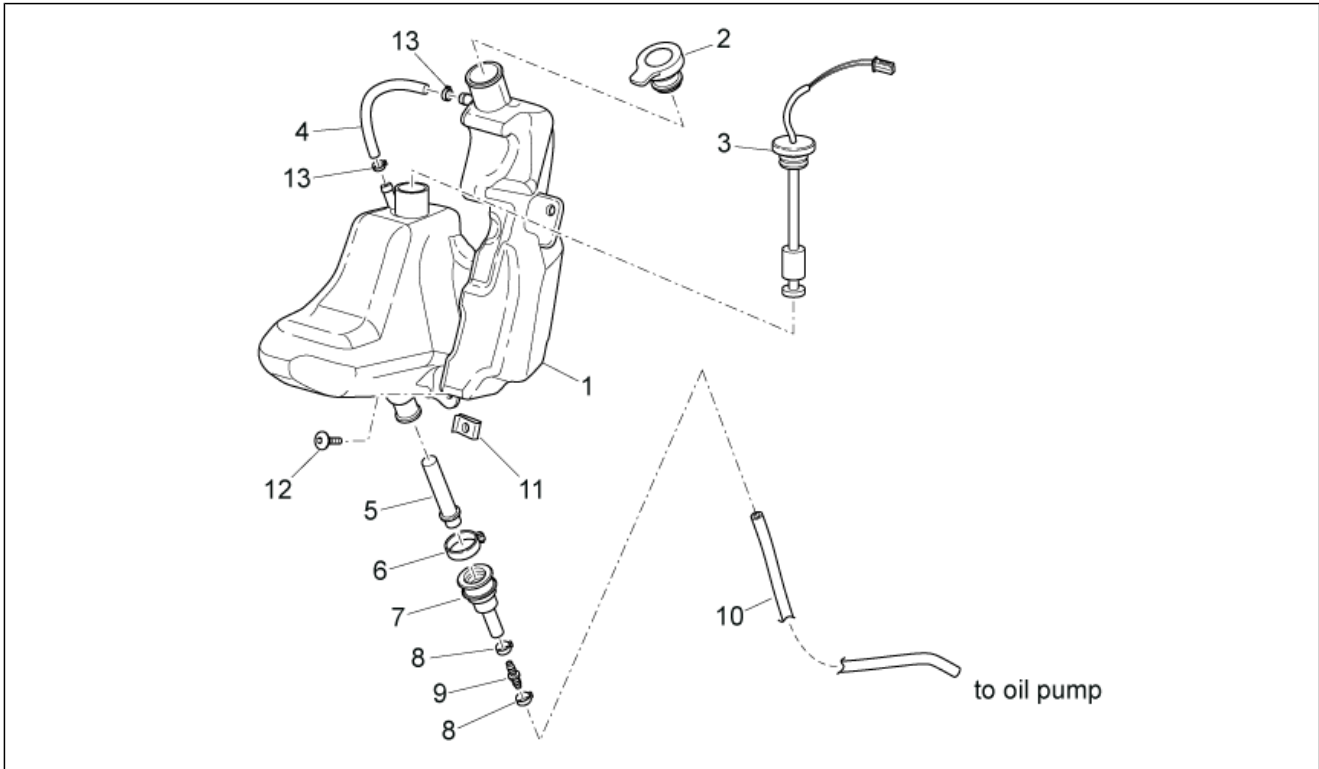
Pos.	Code	Description	Qty	Variants
1	AP8224619	LH lights selector	1	<b>Technical Specifications:</b> Injection Version (C361M)[ie]
1	AP8224639	LH lights selector	1	<b>Technical Specifications:</b> Carburetor Version (C364M)[carb]
2	AP8213580	LH U-bolt	1	
3	AP8213582	Cap screw	2	
4	AP8113003	Oil pipe screw *	1	
5	AP8113004	Washer 10x14x1,6*	2	
6	AP8118699	Handgrip pair, black	1	
7	642032	stop Button	1	
8	CM081208	Rear master cylinder d.11	1	
9	665996	Rear brake hose	1	<b>Technical Specifications:</b> Heng-Tong d.11[ht1]
9	AP8213548	Rear brake hose	1	<b>Technical Specifications:</b> HT sign[ht]
10	600475	Brake lever (Heng Tong)	1	<b>Technical Specifications:</b> Heng-Tong d.11[ht1]
11	AP8213455	Master cyl.level window, assy	1	<b>Technical Specifications:</b>
12	AP8213593	Pump revision kit	1	<b>Technical Specifications:</b> HT sign[ht]
13	AP8213595	Tank cover, assy	1	<b>Technical Specifications:</b> HT sign[ht]
14	AP8213583	Pump cover screw	2	<b>Technical Specifications:</b> HT sign[ht]
15	AP8213584	Brake lever pin	1	<b>Technical Specifications:</b> HT sign[ht]
16	AP8213585	Nut	1	<b>Technical Specifications:</b> HT sign[ht]

<b>Group</b>	FRAME
<b>Code</b>	28.19
<b>Description</b>	RH controls
<b>Service</b>	1



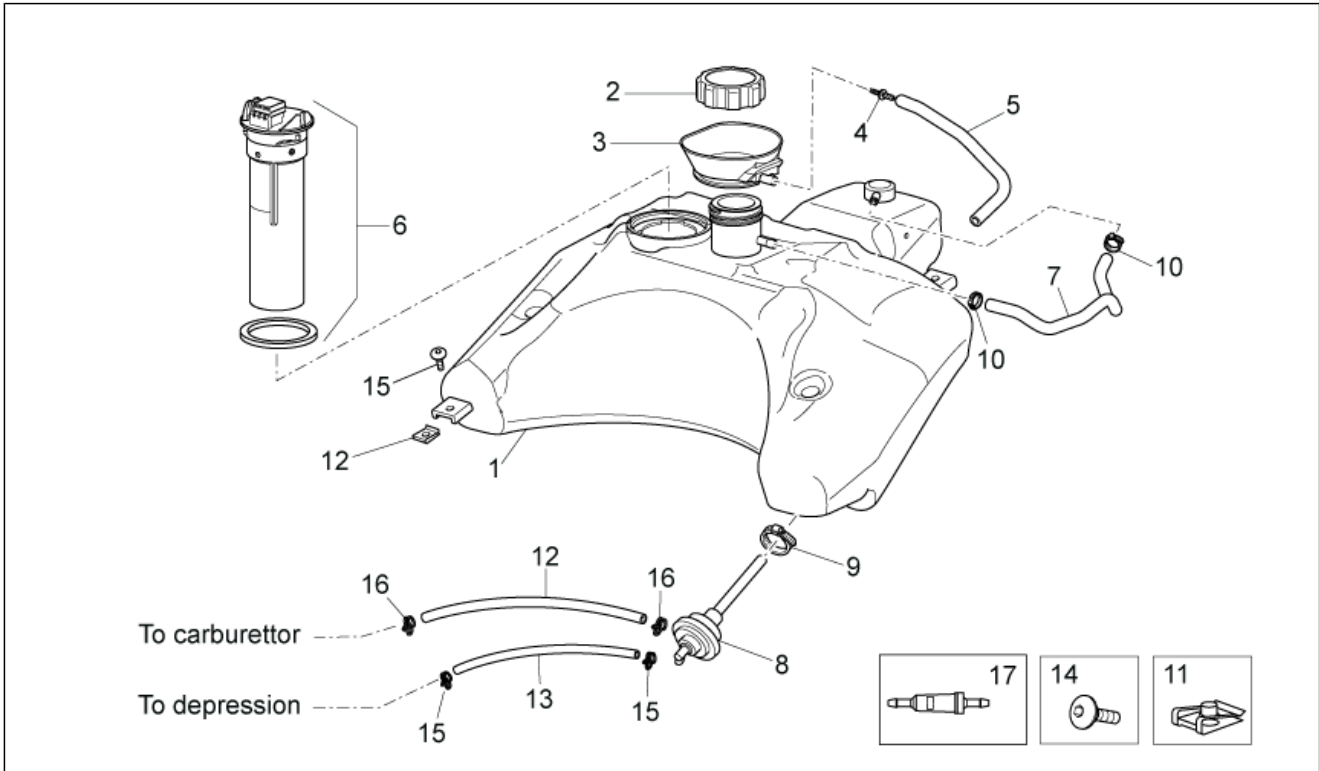
Pos.	Code	Description	Qty	Variants
1	860109	RH lights selector	1	<b>Technical Specifications:</b> Carburetor Version (C364M)[carb]
1	AP8224620	RH lights selector	1	<b>Technical Specifications:</b> Injection Version (C361M)[ie]
2	AP8213581	RH U-bolt	1	
3	AP8213582	Cap screw	2	
4	AP8113003	Oil pipe screw *	1	
5	AP8113004	Washer 10x14x1,6*	2	
6	AP8118699	Handgrip pair, black	1	
7	AP8127305	stop Button	1	
8	CM081209	Front master cilinder d.11	1	
9	AP8213546	Front brake hose	1	
10	600475	Brake lever (Heng Tong)	1	
11	AP8213600	Pump revision kit	1	
12	AP8218639	Throttle with hand grip	1	
13	AP8213598	Tank cover	1	
14	AP8213583	Pump cover screw	2	
15	AP8213584	Brake lever pin	1	
16	AP8213585	Nut	1	
17	582256	Doub. carb. trans.	1	<b>Technical Specifications:</b> CH version free speed[kit]
17	AP8214239	Throttle cable	1	<b>Technical Specifications:</b> Injection Version (C361M)[ie]
17	AP8214241	Throttle cable	1	<b>Technical Specifications:</b> Carburetor Version (C364M)[carb]

<b>Group</b>	FRAME
<b>Code</b>	28.20
<b>Description</b>	Oil tank
<b>Service</b>	1



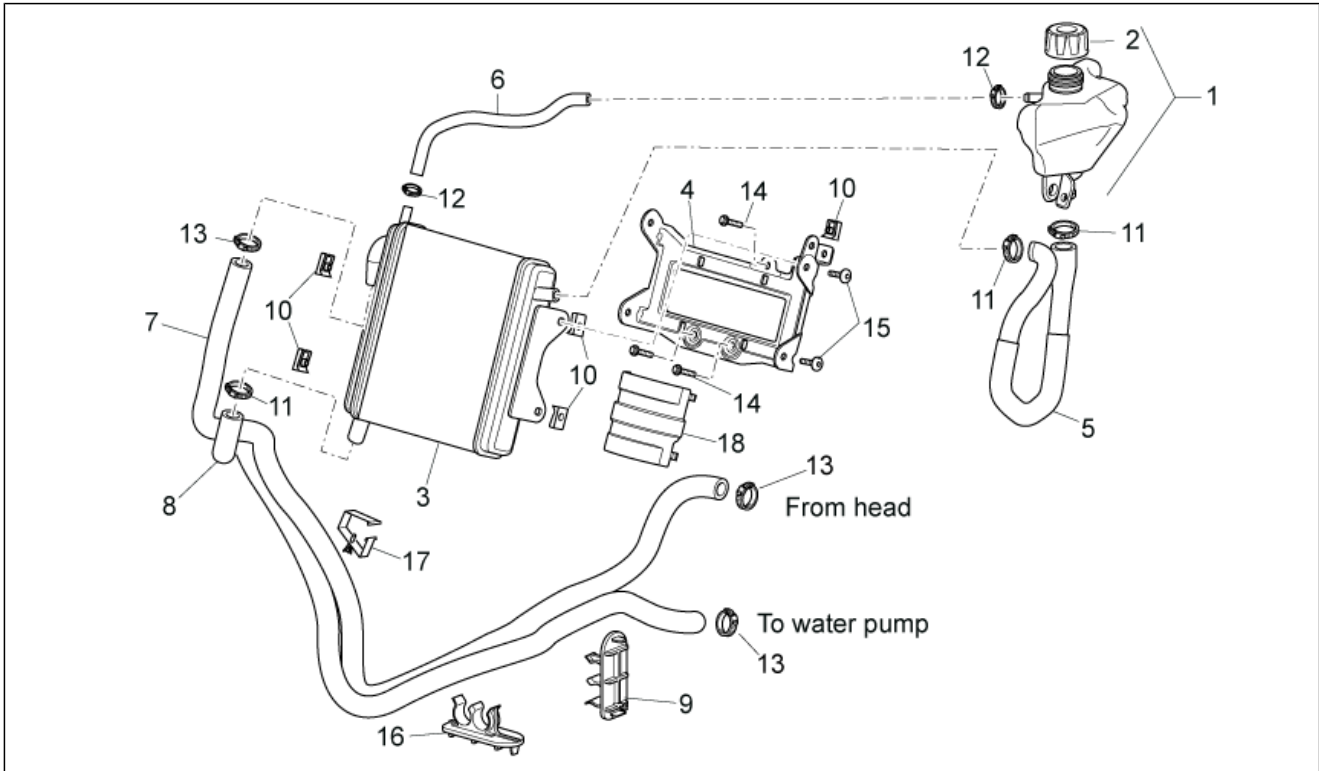
Pos.	Code	Description	Qty	Variants
1	AP8268037	Oil tank	1	
2	AP8220421	Oil filler cap	1	
3	AP8224644	Oil reserve indicator	1	
4	AP8220708	Oil pipe 6x10,5	1	
5	AP8102224	Mixer oil filter	1	
6	AP8101743	Hose clip D23,5x8*	1	
7	AP8102223	Rubber spacer *	1	
8	AP8201225	Hose clip D8,5x5,5	2	
9	AP8101944	2-way union	1	
10	AP8220402	pipe 5x9	1	
11	AP8102375	Clip m5	1	
12	AP8152298	Screw w/ flange M5x16	1	
13	AP8120446	Hose clip, green D11x6,6x1	2	

<b>Group</b>	FRAME
<b>Code</b>	28.22
<b>Description</b>	Fuel tank II
<b>Service</b>	1



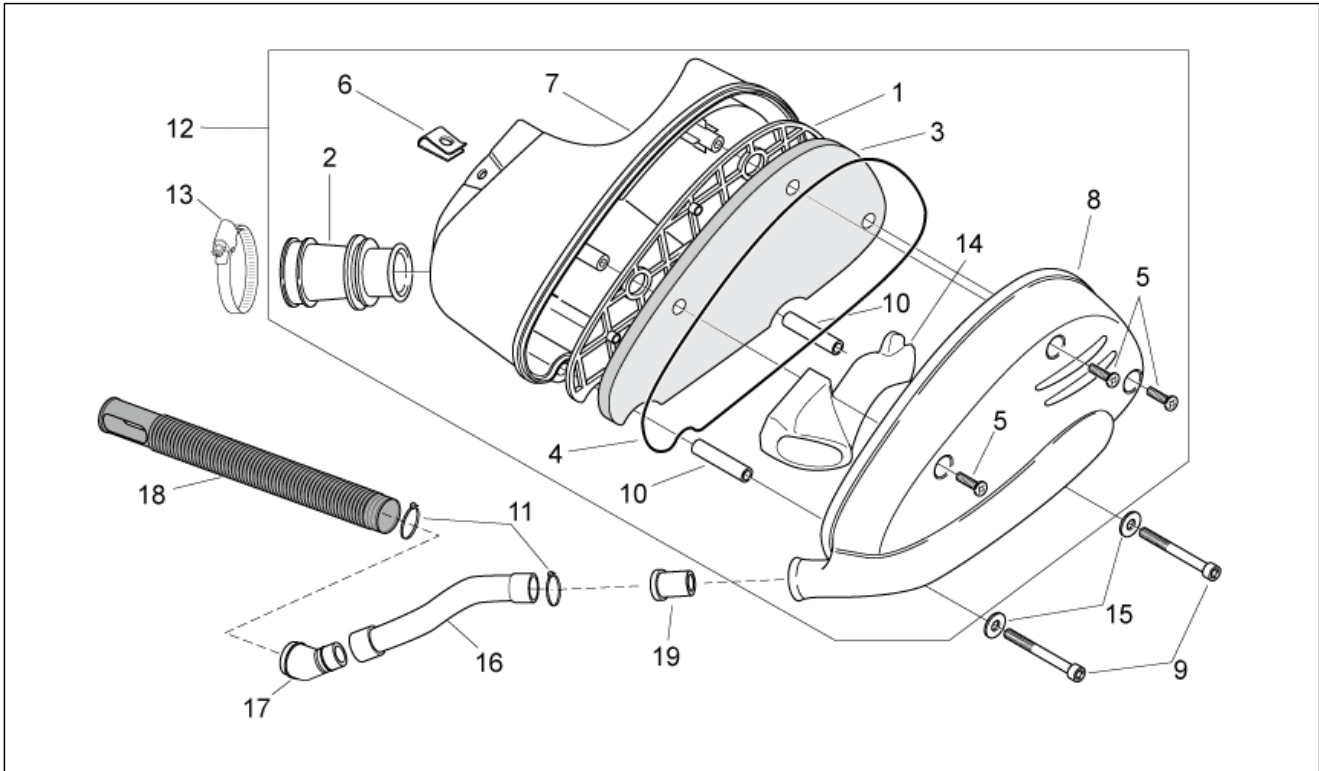
Pos.	Code	Description	Qty	Variants
1	AP8268174	Fuel tank	1	<b>Technical Specifications:</b> Carburetor Version (C364M)[carb]
2	AP8144343	Fuel filler cap	1	<b>Technical Specifications:</b> Carburetor Version (C364M)[carb]
3	AP8144187	Fuel collector rubber	1	<b>Technical Specifications:</b> Carburetor Version (C364M)[carb]
4	AP8101944	2-way union	1	<b>Technical Specifications:</b> Carburetor Version (C364M)[carb]
5	896570	Breather pipe 4x8	1	<b>Technical Specifications:</b> Carburetor Version (C364M)[carb]
6	CM086813	Fuel level sensor	1	<b>Technical Specifications:</b> Carburetor Version (C364M)[carb]
7	896544	Fuel pipe 5,5x10	1	<b>Technical Specifications:</b> Carburetor Version (C364M)[carb]
8	AP8201824	Vacuum fuel tap	1	<b>Technical Specifications:</b> Carburetor Version (C364M)[carb]
9	AP8101573	Hose clamp D16-24x8*	1	<b>Technical Specifications:</b> Carburetor Version (C364M)[carb]
10	AP8102738	Hose clamp	2	<b>Technical Specifications:</b> Carburetor Version (C364M)[carb]
11	AP8102375	Clip m5	3	<b>Technical Specifications:</b> Carburetor Version (C364M)[carb]
12	AP8220402	pipe 5x9	1	<b>Technical Specifications:</b> Carburetor Version (C364M)[carb]
13	896570	Breather pipe 4x8	1	<b>Technical Specifications:</b> Carburetor Version (C364M)[carb]
14	AP8152298	Screw w/ flange M5x16	3	<b>Technical Specifications:</b> Carburetor Version (C364M)[carb]
15	AP8120179	Hose clamp D8	2	<b>Technical Specifications:</b> Carburetor Version (C364M)[carb]
16	AP8102811	Hose clamp D9,6	2	<b>Technical Specifications:</b> Carburetor Version (C364M)[carb]
17	624522	Vacuum filter	1	<b>Technical Specifications:</b> Carburetor Version (C364M)[carb]

<b>Group</b>	FRAME
<b>Code</b>	28.23
<b>Description</b>	Cooling system
<b>Service</b>	1



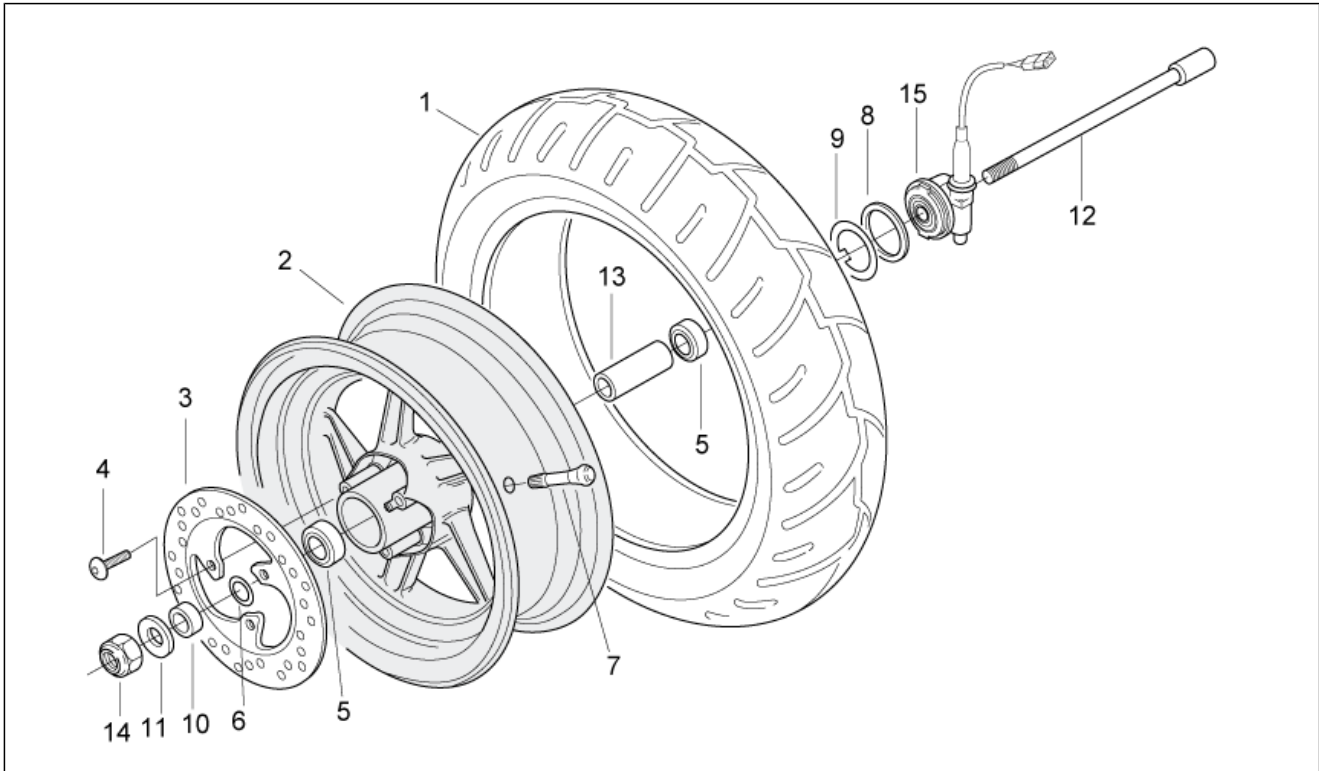
Pos.	Code	Description	Qty	Variants
1	AP8268259	Expansion tank	1	
2	AP8570122	Expansion tank plug	1	
3	AP8202406	Water cooler	1	
4	AP8234232	Water cooler support	1	
5	AP8144691	Cooler-expansion tank pipe	1	
6	AP8144506	Breather pipe 7,5X3,5	1	
7	AP8220665	Water cooler-head tube	1	<b>Technical Specifications:</b> Injection Version (C361M)[ie]
7	AP8220668	Water cooler-head tube	1	<b>Technical Specifications:</b> Carburetor Version (C364M)[carb]
8	AP8220664	Water cooler-pump tube	1	
9	AP8234218	Water tubes holder	1	
10	AP8102375	Clip m5	8	
11	AP8102349	White hose clip D17,5x8	2	
12	AP8102765	White hose clip D.13,5x6	2	
13	AP8102732	Hose clamp 17-25	3	
14	598839	Screw w/ flange	3	
15	AP8152302	Screw w/ flange M5x12	4	
16	AP8234218	Water tubes holder	1	
17	AP8134460	Water tubes holder	1	
18	AP8268254	Wiring cover	1	

<b>Group</b>	FRAME
<b>Code</b>	28.25
<b>Description</b>	Air box II
<b>Service</b>	1



Pos.	Code	Description	Qty	Variants
1	AP8249582	Filter support guard	1	<b>Technical Specifications:</b> Carburetor Version (C364M)[carb]
2	AP8220587	Carburettor flange	1	<b>Technical Specifications:</b> Carburetor Version (C364M)[carb]
3	AP8202302	Air filter	1	<b>Technical Specifications:</b> Carburetor Version (C364M)[carb]
4	AP8120593	Gasket D4	1	<b>Technical Specifications:</b> Carburetor Version (C364M)[carb]
5	AP8152329	Phillips screw, SWP M5x20	3	<b>Technical Specifications:</b> Carburetor Version (C364M)[carb]
6	AP8102375	Clip m5	1	<b>Technical Specifications:</b> Carburetor Version (C364M)[carb]
7	AP8249298	Filter housing body	1	<b>Technical Specifications:</b> Carburetor Version (C364M)[carb]
8	AP8249299	Filter housing cover	1	<b>Technical Specifications:</b> Carburetor Version (C364M)[carb]
9	AP8150157	Hex socket screw M6x60	2	<b>Technical Specifications:</b> Carburetor Version (C364M)[carb]
10	AP8121984	Spacer	2	<b>Technical Specifications:</b> Carburetor Version (C364M)[carb]
11	AP8120416	Black hose 178x4	2	<b>Technical Specifications:</b> Carburetor Version (C364M)[carb]
12	AP8258241	Air box cpl.	1	<b>Technical Specifications:</b> Carburetor Version (C364M)[carb]
13	AP8220104	Hose clamp D25-45x8*	1	<b>Technical Specifications:</b> Carburetor Version (C364M)[carb]
14	AP8220608	Volume air box hose	1	<b>Technical Specifications:</b> Carburetor Version (C364M)[carb]
15	AP8150014	Washer 6,4x12,5*	2	<b>Technical Specifications:</b> Carburetor Version (C364M)[carb]
16	AP8220712	Intake hose	1	<b>Technical Specifications:</b> Carburetor Version (C364M)[carb]
17	AP8202444	Joint	1	<b>Technical Specifications:</b> Carburetor Version (C364M)[carb]
18	AP8220605	Pipe	1	<b>Technical Specifications:</b> Carburetor Version (C364M)[carb]
19	AP8220647	Orifice	1	<b>Technical Specifications:</b> Carburetor Version (C364M)[carb]

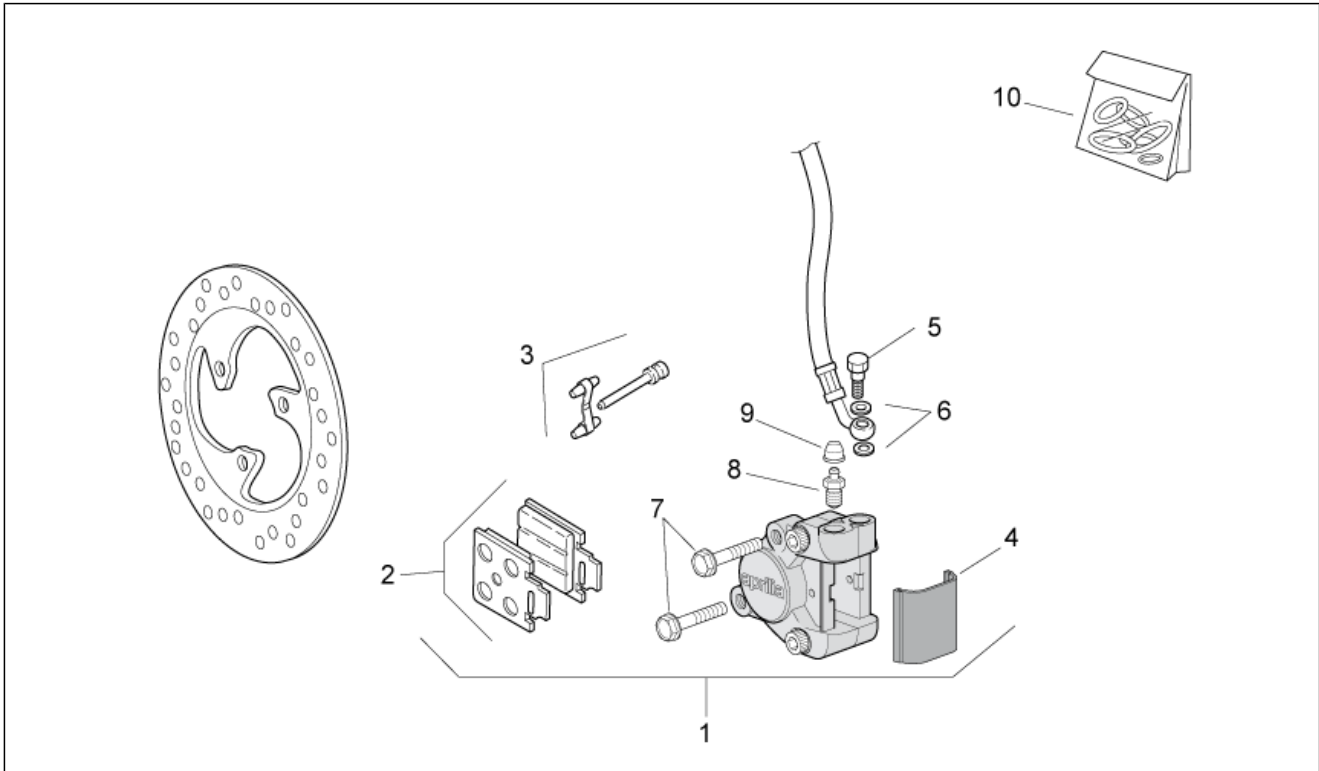
<b>Group</b>	FRAME
<b>Code</b>	28.29
<b>Description</b>	Front wheel
<b>Service</b>	1



Pos.	Code	Description	Qty	Variants
1	AP8209085	Front tyre	1	
2	AP8208947	Front wheel, black	1	
3	AP8213231	Brake disc D190	1	
4	AP8152056	Hex socket screw M8x30	3	
5	AP8225123	Bearing	2	
6	AP8125782	Gasket ring	1	
7	AP8201546	Tubeless tyre valve	1	
8	AP8125743	Gasket ring D40x50x4	1	
9	AP8120865	Drive key	1	
10	AP8221119	Front wheel spacer	1	
11	AP8152018	Washer 12,2x22x2	1	
12	AP8225271	Front wheel spindle	1	
13	AP8225323	Front wheel ins.spacer	1	
14	AP8150373	Low self-locking nut M12x1,25	1	
15	AP8202403	Speed sensor	1	

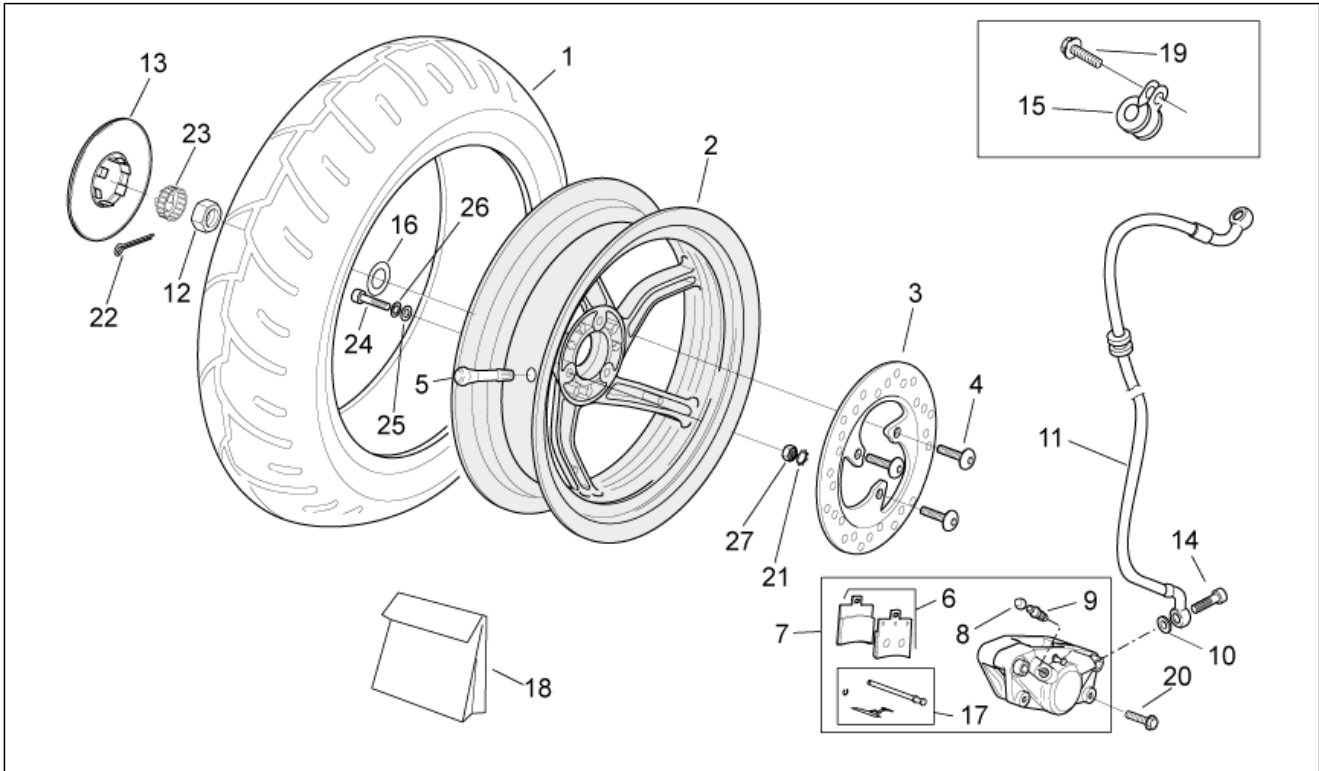


<b>Group</b>	FRAME
<b>Code</b>	28.30
<b>Description</b>	Front brake caliper
<b>Service</b>	1



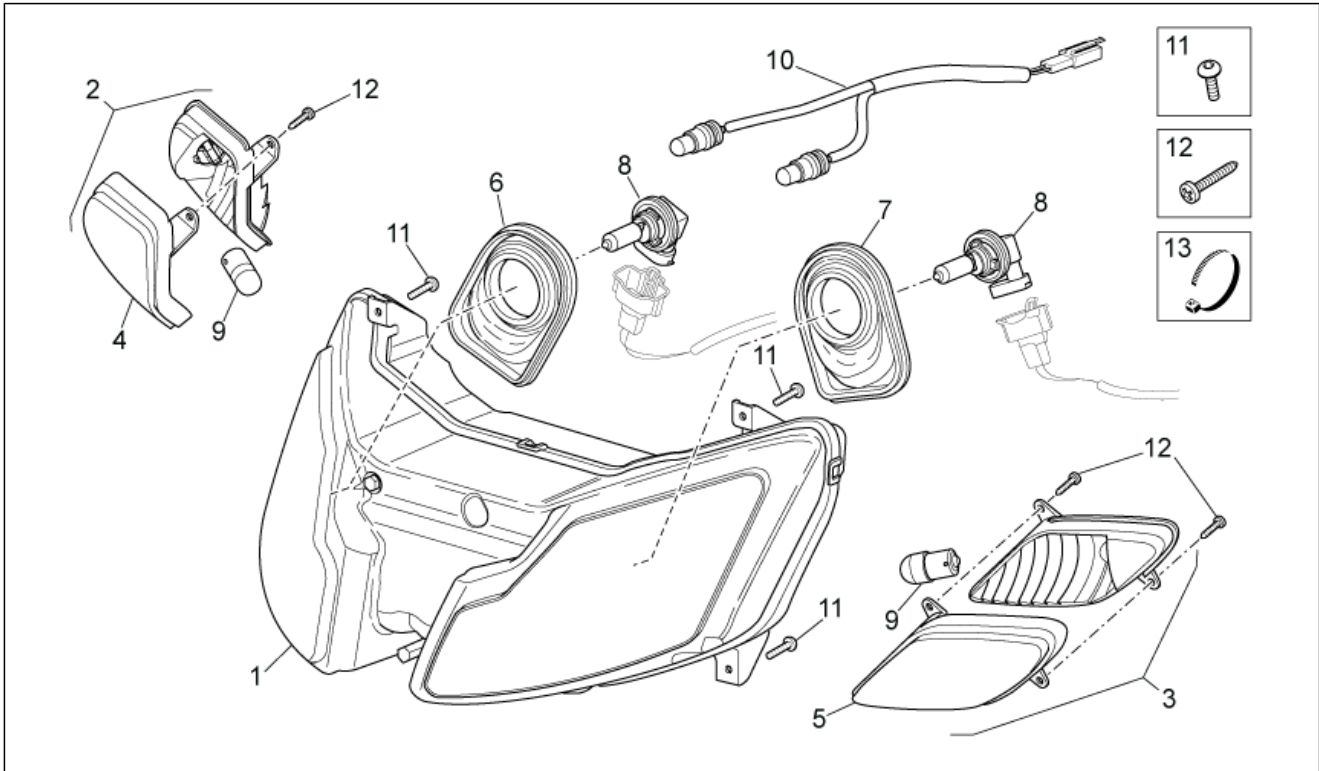
Pos.	Code	Description	Qty	Variants
1	AP8133735	Front brake caliper, gold D32	1	
2	AP8213571	Pads pair	1	
3	AP8213572	Pin+Brake spring	1	
4	AP8213573	Brake caliper cover	1	
5	AP8113003	Oil pipe screw *	1	
6	AP8113004	Washer 10x14x1,6*	2	
7	AP8152289	Screw w/ flange	2	
8	AP8213574	Air bleed valve	1	
9	AP8213575	Bleed valve cap	1	
10	AP8213576	Brake caliper rev. kit	1	

<b>Group</b>	FRAME
<b>Code</b>	28.31
<b>Description</b>	Rear wheel - disc brake
<b>Service</b>	1



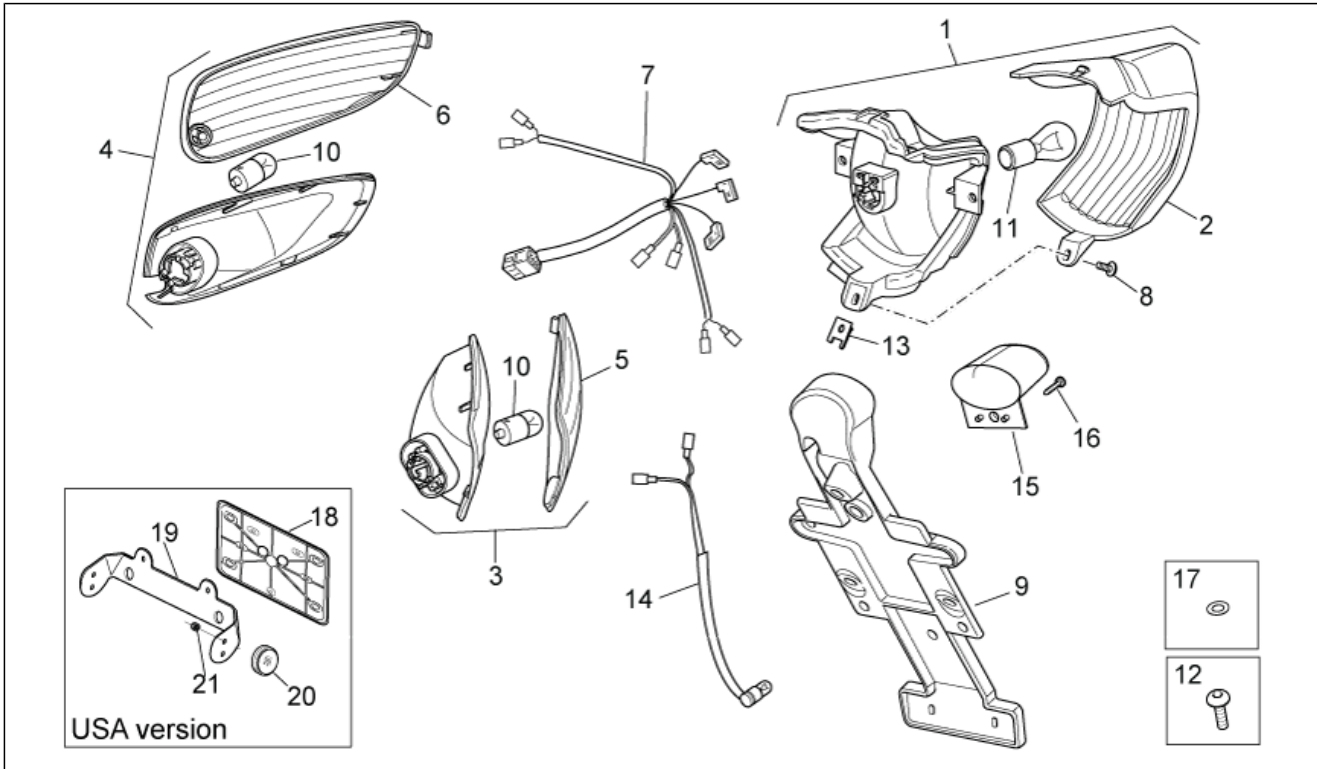
Pos.	Code	Description	Qty	Variants
1	AP8209085	Front tyre	1	
2	AP8208949	Rear wheel, black	1	
3	AP8133601	Rear brake disc	1	
4	AP8152288	Screw w/ flange	3	
5	AP8201546	Tubeless tyre valve	1	
6	AP8213577	Pads pair	1	
7	AP8213557	Rear brake caliper, gold D30	1	
8	AP8213575	Bleed valve cap	1	
9	AP8213574	Air bleed valve	1	
10	AP8113004	Washer 10x14x1,6*	2	
11	AP8213548	Rear brake hose	1	
12	563728	Nut M16x13	1	
12	AP8221329	DAX flange nut M16x1,25	1	
13	AP8208907	Rear wheel plug, blue	1	
14	AP8113003	Oil pipe screw *	2	
15	AP8134167	Brake hose hanger	2	
16	159347	Ring	1	
17	AP8213578	Pin+Brake spring	1	
18	AP8213579	Brake caliper rev. kit	1	
19	AP8152277	Screw w/ flange M6x12	2	
20	AP8152288	Screw w/ flange	2	
21	AP8225322	Washer	3	
22	012789	Split pin	1	
23	194423	Nut hold cap	1	
24	AP8150086	Hex socket screw	3	
25	AP8150020	Washer 10,5x21x2*	3	
26	AP8150292	Curved spring washer *	3	
27	AP8225319	Nut M10x8,3	3	

<b>Group</b>	FRAME
<b>Code</b>	28.32
<b>Description</b>	Front lights
<b>Service</b>	1



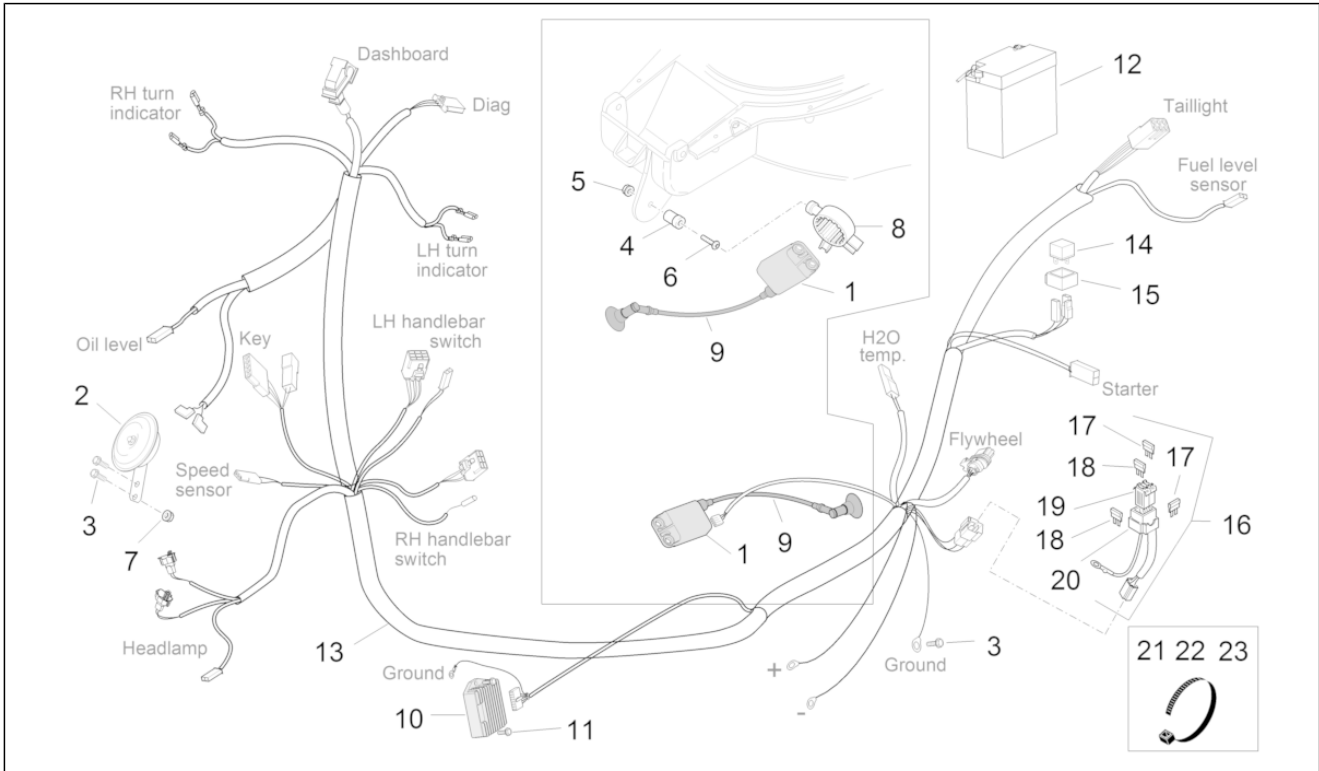
Pos.	Code	Description	Qty	Variants
1	AP8224586	Headlight	1	Country:Australia[AU], europe[EU ]
1	AP8224646	Headlight	1	Country:Switzerland[CH], Japan[JP]
2	AP8224589	RH front turn indicator	1	
3	AP8224590	LH front turn indicator	1	
4	AP8224659	RH Turn indicator f.lens	1	
5	AP8224660	LH front turn indicator lens	1	
6	AP8224656	RH Front headlight guard	1	
7	AP8224657	LH Front headlight guard	1	
8	580734	Lamp 12V-35W H8	2	
9	AP8127489	Lamp RY10W 12V	2	
10	AP8224666	Headlight wiring w/harness	1	
11	AP8150493	Hex socket screw M4x16	4	
12	AP8150413	Self-tap screw 3,9x14	4	
13	AP8120416	Black hose 178x4	1	

<b>Group</b>	FRAME
<b>Code</b>	28.33
<b>Description</b>	Rear lights
<b>Service</b>	1



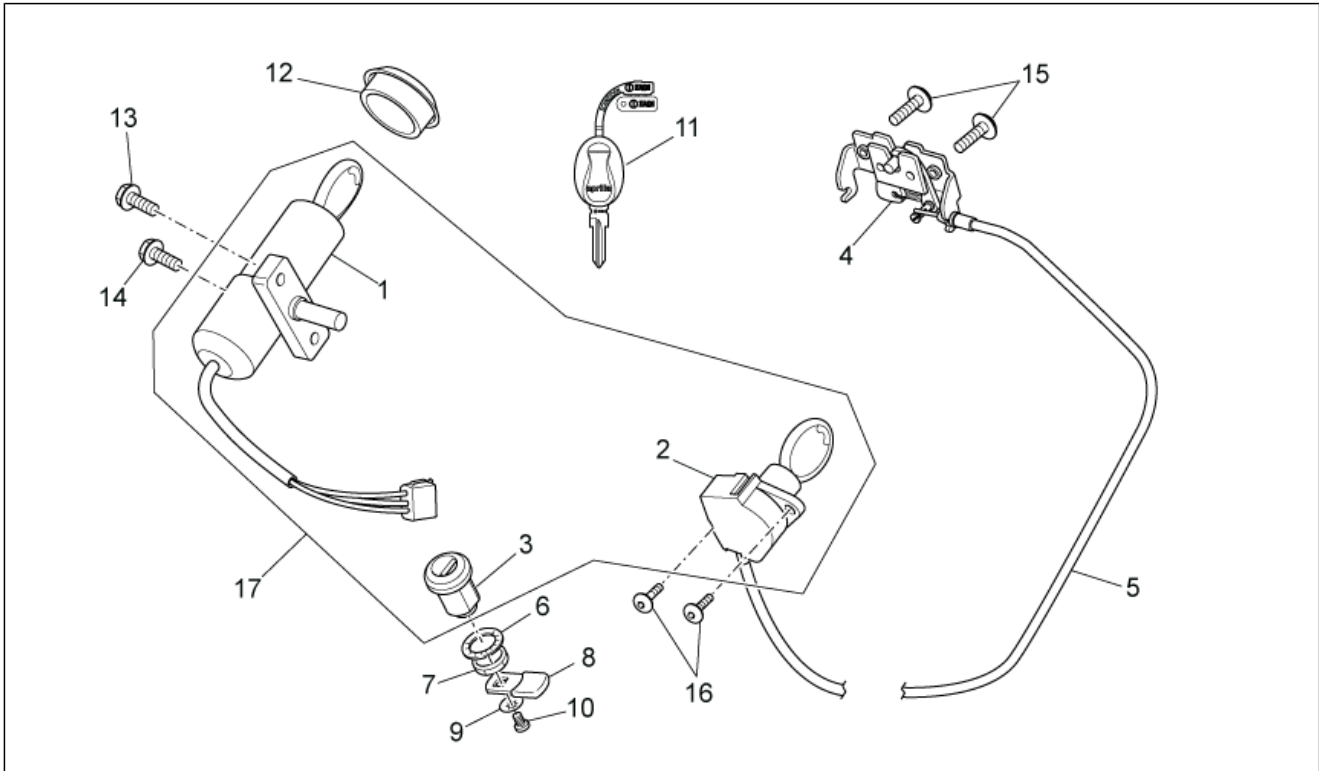
Pos.	Code	Description	Qty	Variants
1	AP8224587	Taillight	1	
2	AP8224658	Taillight lens	1	
3	AP8224592	Rear LH turn indicator	1	
4	AP8224591	Rear RH turn indicator	1	
5	AP8224662	LH Turn indicator r.lens	1	
6	AP8224661	RH Turn indicator r.lens	1	
7	AP8224624	Taillight wiring harn.	1	
8	AP8150298	Hex socket screw	1	
9	AP8268255	Plate light support, black	1	Country:Australia[AU], Switzerland[CH], Japan[JP]
10	AP8127489	Lamp RY10W 12V	2	
11	129953	Lamp 12V-21/5W	1	
12	AP8150493	Hex socket screw M4x16	4	
13	AP8102375	Clip m5	1	
14	AP8224655	Plate light wiring	1	Country:Australia[AU], Switzerland[CH], Japan[JP]
15	AP8127098	Number-plate light	1	Country:Australia[AU], Switzerland[CH], Japan[JP]
16	AP8150509	Self-tap screw 5x14	1	Country:Australia[AU], Switzerland[CH], Japan[JP]
17	AP8144565	Nylon washer	4	
18	AP8149034	Number plate support	1	
19	AP8258253	Rear reflector support	1	
20	AP8224164	Rear reflector, red	2	
21	AP8152306	Self-locking nut m5	4	

<b>Group</b>	FRAME
<b>Code</b>	28.35
<b>Description</b>	Electrical system II
<b>Service</b>	1



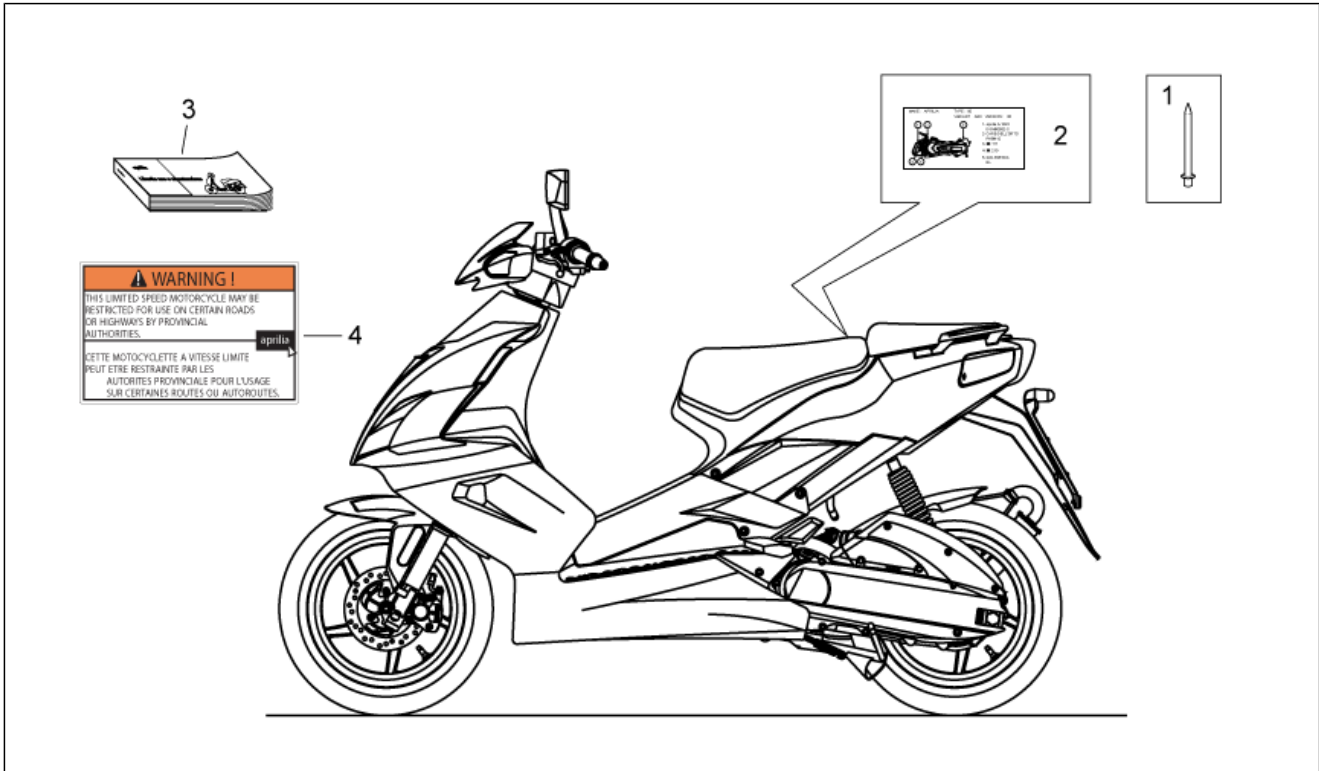
Pos.	Code	Description	Qty	Variants
1	58095R	Electronic ignition unit	1	Technical Specifications:Carburetor Version (C364M)[carb]
2	58237R	Horn 12v cc	1	Technical Specifications:Carburetor Version (C364M)[carb]
3	598839	Screw w/ flange	3	Technical Specifications:Carburetor Version (C364M)[carb]
4	AP8234195	Pin	1	Technical Specifications:Carburetor Version (C364M)[carb]
4	AP8234234	Coil holder	1	Technical Specifications:Carburetor Version (C364M)[carb]
5	AP8152277	Screw w/ flange M6x12	2	Technical Specifications:Carburetor Version (C364M)[carb]
5	AP8152306	Self-locking nut m5	1	Technical Specifications:Carburetor Version (C364M)[carb]
6	855799	Screw w/ flange	2	Technical Specifications:Carburetor Version (C364M)[carb]
6	AP8225369	Hex socket screw	1	Technical Specifications:Carburetor Version (C364M)[carb]
7	AP8152299	Self-locking nut M6	1	
8	AP8150013	Washer 5,5x15x1,6*	2	Technical Specifications:Carburetor Version (C364M)[carb]
8	AP8220592	Fuel pump support	1	Technical Specifications:Carburetor Version (C364M)[carb]
9	AP8224578	HT wire	1	Technical Specifications:Carburetor Version (C364M)[carb]
10	58096R	Voltage regulator	1	Technical Specifications:Carburetor Version (C364M)[carb]
11	AP8152279	Screw w/ flange M6x20	2	Technical Specifications:Carburetor Version (C364M)[carb]
12	584810	Battery 12V-9Ah	1	Technical Specifications:Carburetor Version (C364M)[carb]
13	AP8224621	Main wiring harness	1	Technical Specifications:Carburetor Version (C364M)[carb]
14	58115R	Starter relay 12V-80A	1	Technical Specifications:Carburetor Version (C364M)[carb]
15	AP8220546	Relay rubber	1	Technical Specifications:Carburetor Version (C364M)[carb]
16	AP8224073	Fuse cable	1	Technical Specifications:Carburetor Version (C364M)[carb]
17	0000000	Tyre	2	Technical Specifications:Carburetor Version (C364M)[carb]
18	0000000	Tyre	2	Technical Specifications:Carburetor Version (C364M)[carb]
19	AP8120754	Rubber fuse box	2	Technical Specifications:Carburetor Version (C364M)[carb]
20	AP8112811	Rubber fuse box	1	Technical Specifications:Carburetor Version (C364M)[carb]
21	AP8120422	Black hose 98x2*	2	Technical Specifications:Carburetor Version (C364M)[carb]
22	AP8120416	Black hose 178x4	1	Technical Specifications:Carburetor Version (C364M)[carb]
23	AP8120657	Hose clamp	1	Technical Specifications:Carburetor Version (C364M)[carb]

<b>Group</b>	FRAME
<b>Code</b>	28.36
<b>Description</b>	Lock hardware kit
<b>Service</b>	1



Pos.	Code	Description	Qty	Variants
1	AP8224652	Main switch - steering lock	1	<b>Technical Specifications:</b> Injection Version (C361M)[ie]
1	AP8224653	Main switch - steering lock	1	<b>Technical Specifications:</b> Carburetor Version (C364M)[carb]
2	AP8104611	Saddle lock	1	
3	AP8104609	Tank door lock	1	
4	AP8102947	Saddle closing plate	1	
5	AP8214238	Lock cable	1	
6	AP8221312	Notched washer	1	
7	AP8152194	Low nut M19x1*	1	
8	AP8201620	Lever	1	
9	AP8201748	Washer	1	
10	AP8201749	Screw M4x6	1	
11	AP8104613	"Aprilia" key w/out transpo.	1	<b>Technical Specifications:</b> Carburetor Version (C364M)[carb]
11	AP8104622	"Aprilia" key with transpo.	1	<b>Technical Specifications:</b> Injection Version (C361M)[ie]
12	AP8127461	Main switch seal	1	
13	AP8150137	Hex socket screw M6x16	1	
14	AP8152140	Shear rivet M6x17	1	
15	AP8152246	Screw w/ flange M6x16	2	
16	AP8152298	Screw w/ flange M5x16	2	
17	859841	Lock kit	1	<b>Technical Specifications:</b> Injection Version (C361M)[ie]
17	AP8202419	Lock kit	1	<b>Technical Specifications:</b> Carburetor Version (C364M)[carb]

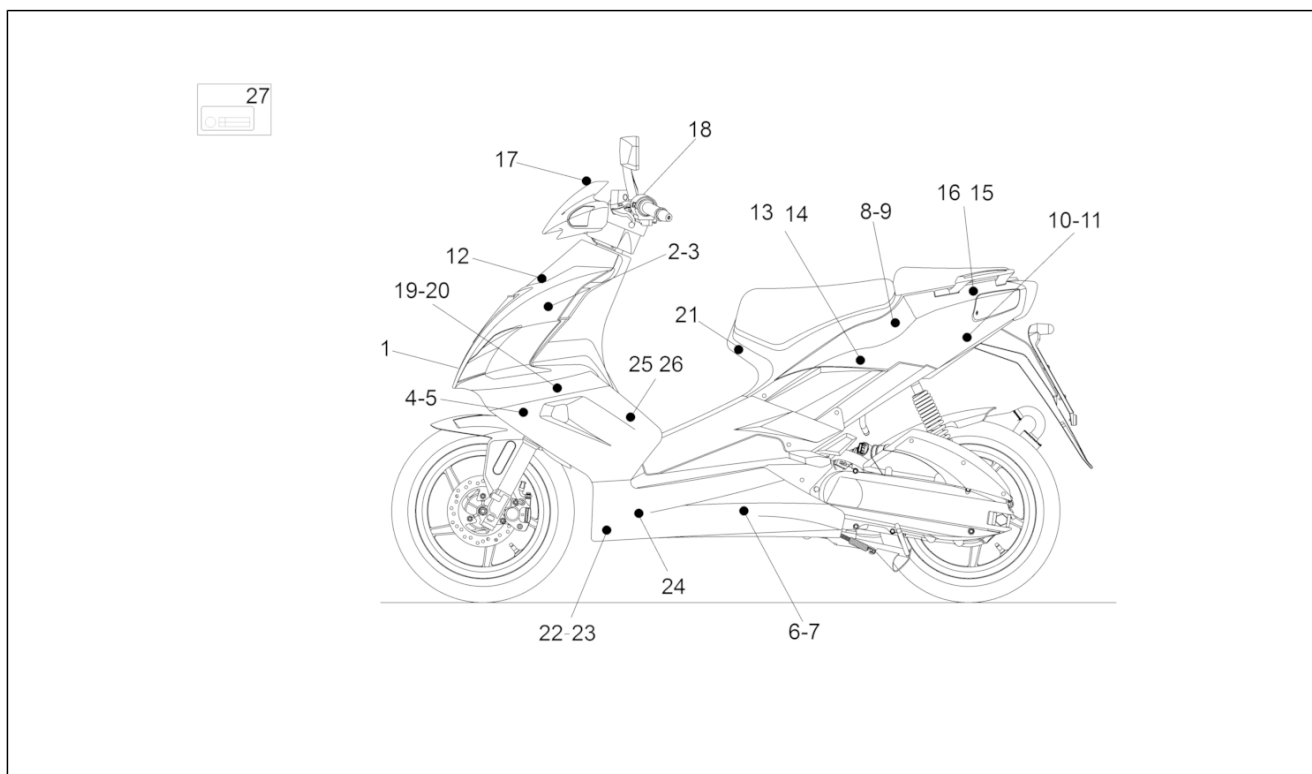
<b>Group</b>	FRAME
<b>Code</b>	28.37
<b>Description</b>	Plate set and handbook
<b>Service</b>	1



Pos.	Code	Description	Qty	Variants
1	AP8201457	Rivet *	2	
2	AP8277221	Tamperproof dataplate	1	<b>Country:</b>
3	852921	Operator's handbook	1	
4	853482	"Limited speed motorc." sticke	1	



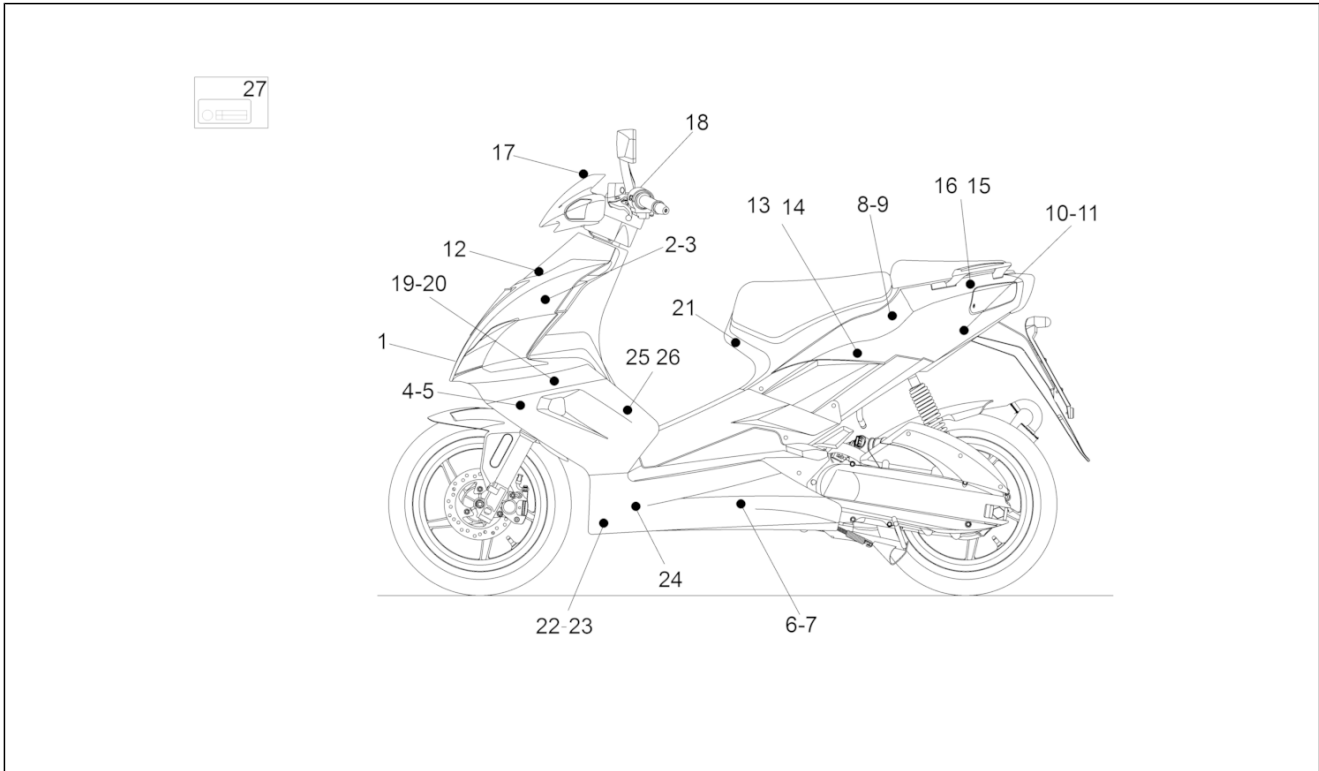
<b>Group</b>	FRAME
<b>Code</b>	28.38
<b>Description</b>	Decal
<b>Service</b>	1



Pos.	Code	Description	Qty	Variants
1	2H000294	Frame grille dec. "Italia"	1	
2	2H000274	Transfer centre black	1	Vehicle colour:Diablo Black[black], Fluo Red[fluo]
2	2H000295	Transfer centre black	1	Vehicle colour:Comet Silver[arg], Aprilia white[white]
3	2H000275	Transfer centre black	1	Vehicle colour:Comet Silver[arg], Diablo Black[black], Fluo Red[fluo]
3	2H000296	Transfer centre black	1	Vehicle colour:Comet Silver[arg], Aprilia white[white]
4	2H000278	Right front shield decal SR	1	
5	2H000279	Left front shield decal SR	1	
6	2H000284	RH underpanel dec. Aprilia	1	
7	2H000285	LH underpanel dec. Aprilia	1	
8	2H000286	RH rear fairing decal SR 50	1	Vehicle colour:Diablo Black[black]
8	2H000303	RH rear fairing decal SR 50	1	Vehicle colour:Aprilia white[white]
8	2H000315	RH rear fairing decal SR 50	1	Vehicle colour:Fluo Red[fluo]
8	2H000321	RH rear fairing decal SR 50	1	Vehicle colour:Comet Silver[arg]
9	2H000287	LH rear fairing decal SR 50	1	Vehicle colour:Comet Silver[arg]
9	2H000304	LH rear fairing decal SR 50	1	Vehicle colour:Aprilia white[white]
9	2H000316	LH rear fairing decal SR 50	1	Vehicle colour:Fluo Red[fluo]
9	2H000322	LH rear fairing decal SR 50	1	Vehicle colour:Comet Silver[arg]
10	2H000290	Transfer black DX	1	Vehicle colour:Diablo Black[black], Fluo Red[fluo]
10	2H000307	Transfer black DX	1	Vehicle colour:Comet Silver[arg], Aprilia white[white]
11	2H000291	Transfer black SX	1	Vehicle colour:Diablo Black[black], Fluo Red[fluo]
11	2H000308	Transfer black SX	1	Vehicle colour:Comet Silver[arg], Aprilia white[white]
12	2H000273	Front fairing decal SR	1	
13	2H000288	carbon right tail fairing dec.	1	Vehicle colour:Diablo Black[black], Fluo Red[fluo]
13	2H000305	carbon right tail fairing dec.	1	Vehicle colour:Comet Silver[arg], Aprilia white[white]
14	2H000289	carbon left tail fairing dec.	1	Vehicle colour:Diablo Black[black], Fluo Red[fluo]
14	2H000306	carbon left tail fairing dec.	1	Vehicle colour:Comet Silver[arg], Aprilia white[white]
15	2H000292	RH rear fairing decal	1	Vehicle colour:Diablo Black[black], Fluo Red[fluo]

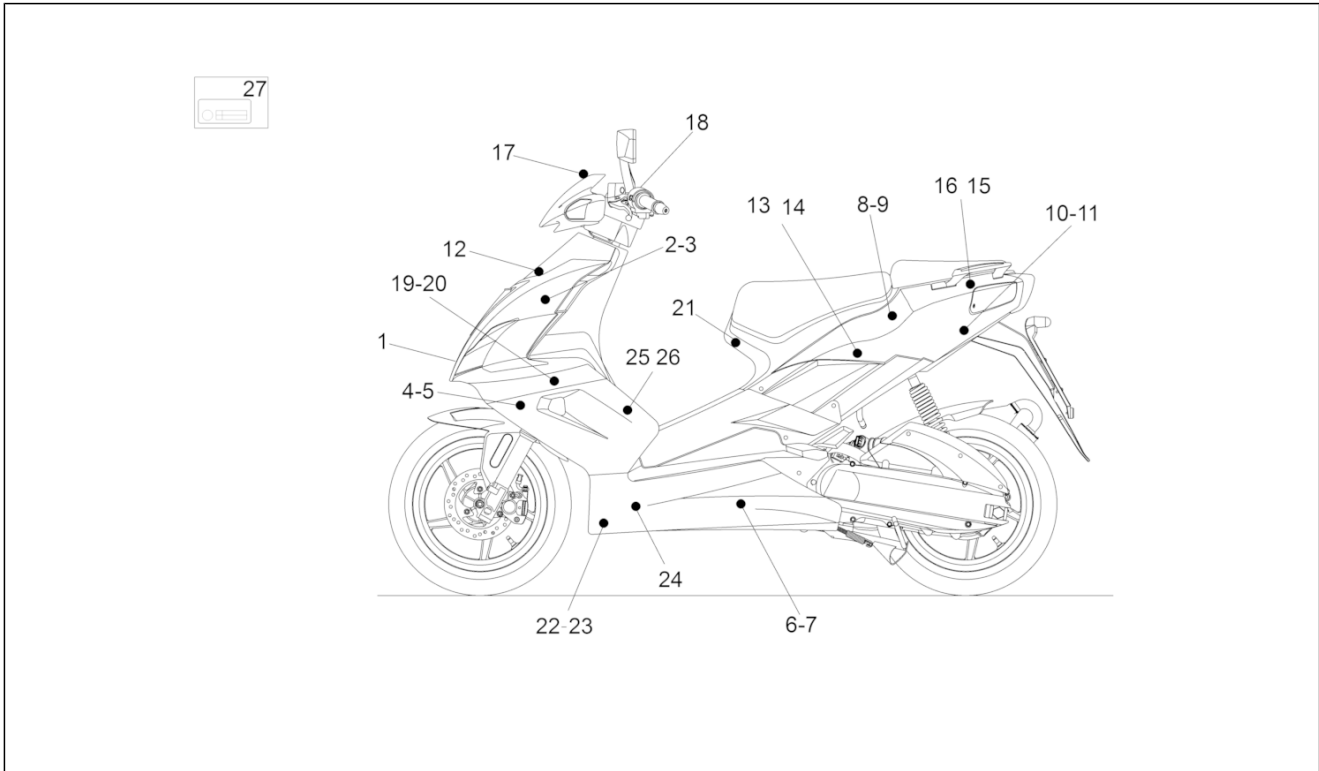


<b>Group</b>	FRAME
<b>Code</b>	28.38
<b>Description</b>	Decal
<b>Service</b>	1



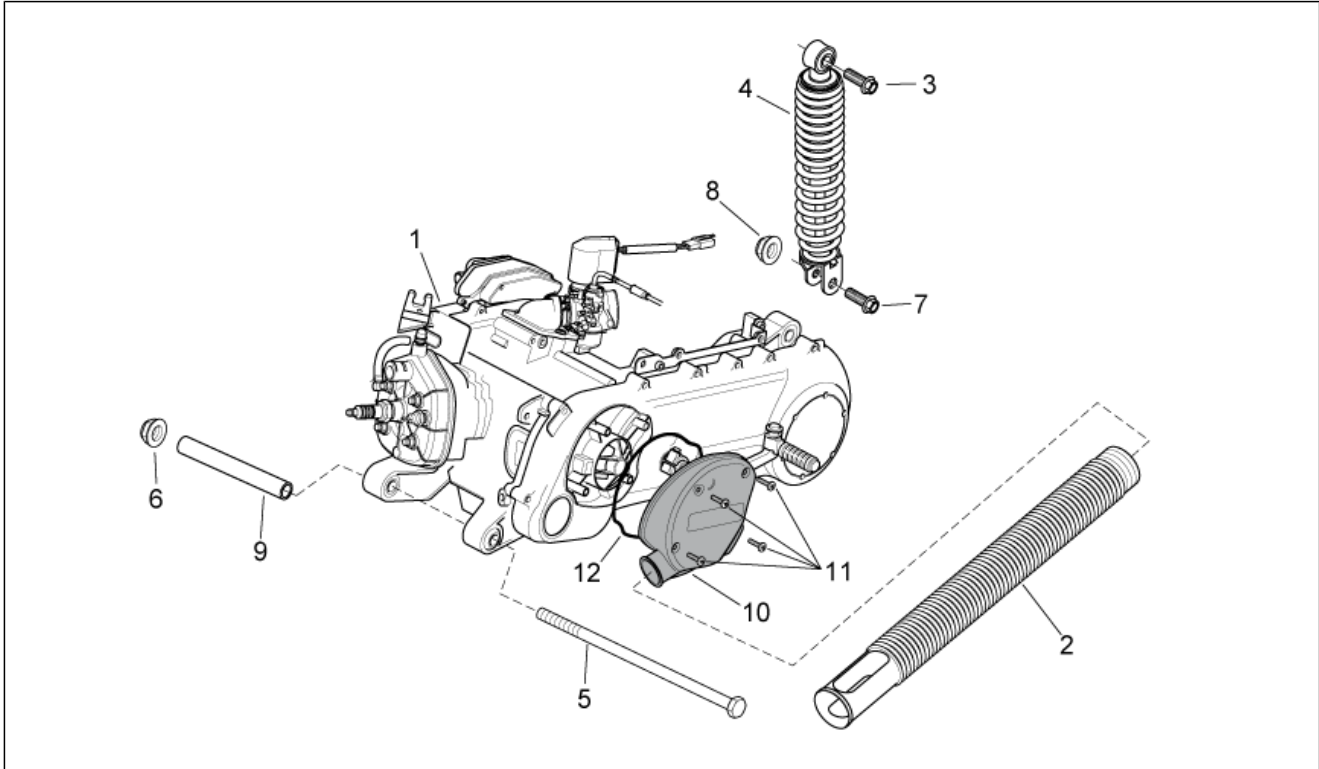
Pos.	Code	Description	Qty	Variants
15	2H000309	RH rear fairing decal ITALIA	1	Vehicle colour:Comet Silver[arg], Aprilia white[white]
16	2H000293	LH rear fairing decal	1	Vehicle colour:Diablo Black[black], Fluo Red[fluo]
16	2H000310	LH rear fairing decal ITALIA	1	Vehicle colour:Comet Silver[arg], Aprilia white[white]
17	2H000272	Windshield decal	1	
18	2H000169	Handlebar dec. "51"	1	Country:Switzerland[CH], europe[EU ]
18	2H000482	Decal "52 WORLD CHAMPIONSHIPS"	1	Country:Australia[AU]
19	2H000276	Right front shield decal	1	Vehicle colour:Diablo Black[black], Fluo Red[fluo]
19	2H000297	Right front shield decal	1	Vehicle colour:Comet Silver[arg], Aprilia white[white]
20	2H000277	Left front shield decal	1	Vehicle colour:Diablo Black[black], Fluo Red[fluo]
20	2H000298	Left front shield decal	1	Vehicle colour:Comet Silver[arg], Aprilia white[white]
21	672200	Name plate "Piaggio Technology"	1	
22	2H000282	Right lower band decal under-footrest	1	Vehicle colour:Diablo Black[black]
22	2H000301	Right lower band decal under-footrest	1	Vehicle colour:Aprilia white[white]
22	2H000313	Right lower band decal under-footrest	1	Vehicle colour:Fluo Red[fluo]
22	2H000319	Right lower band decal under-footrest	1	Vehicle colour:Comet Silver[arg]
23	2H000283	Left lower band decal under-footrest	1	Vehicle colour:Diablo Black[black]
23	2H000302	Left lower band decal under-footrest	1	Vehicle colour:Aprilia white[white]
23	2H000314	Left lower band decal under-footrest	1	Vehicle colour:Fluo Red[fluo]
23	2H000320	Left lower band decal under-footrest	1	Vehicle colour:Comet Silver[arg]
24	2H000323	Underpanel dec. "Factory"	1	Technical Specifications:Injection Version (C361M)[ie]
25	2H000280	External shield upper right band decal	1	Vehicle colour:Diablo Black[black]
25	2H000299	External shield upper right band decal	1	Vehicle colour:Aprilia white[white]
25	2H000311	External shield upper right band decal	1	Vehicle colour:Fluo Red[fluo]
25	2H000317	External shield upper right band decal	1	Vehicle colour:Comet Silver[arg]
26	2H000281	External shield upper left band decal	1	Vehicle colour:Diablo Black[black]
26	2H000300	External shield upper left band decal	1	Vehicle colour:Aprilia white[white]
26	2H000312	External shield upper left band decal	1	Vehicle colour:Fluo Red[fluo]
26	2H000318	External shield upper left band decal	1	Vehicle colour:Comet Silver[arg]

<b>Group</b>	FRAME
<b>Code</b>	28.38
<b>Description</b>	Decal
<b>Service</b>	1



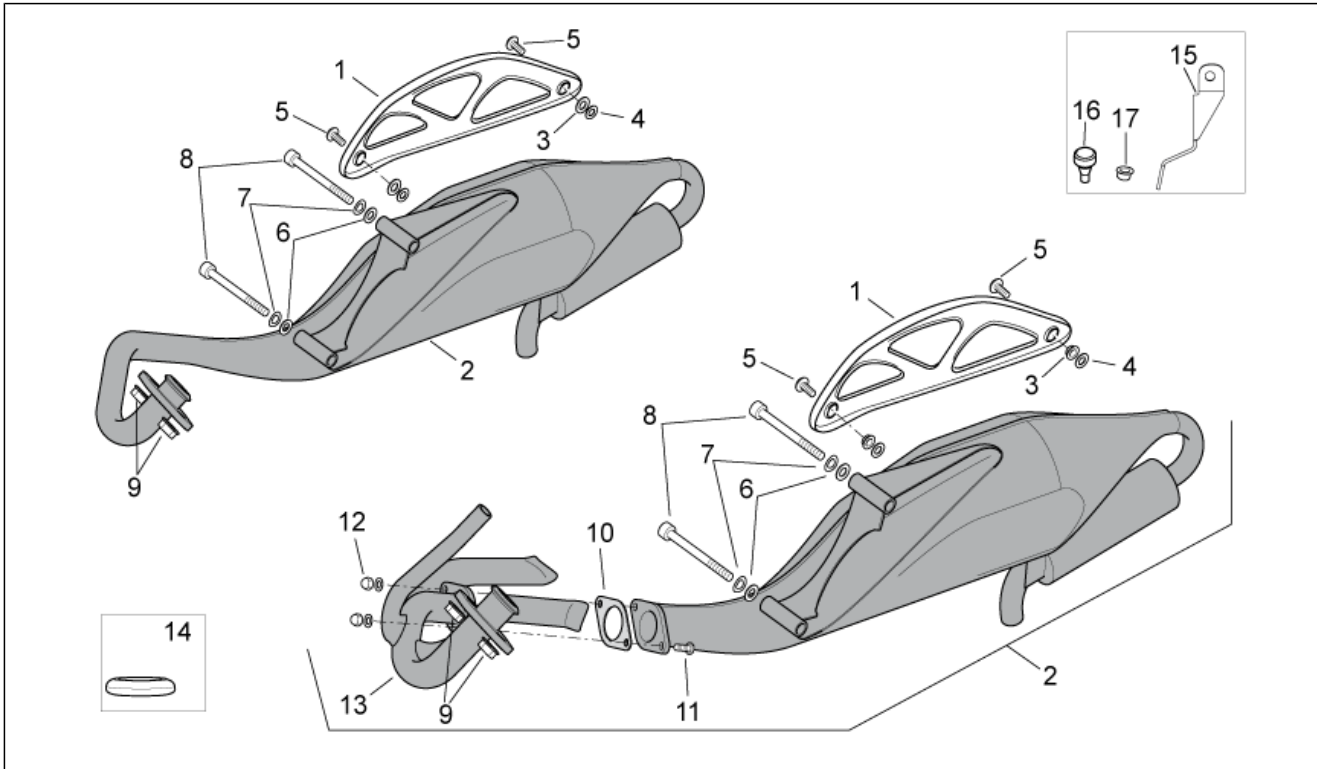
Pos.	Code	Description	Qty	Variants
27	AP8277610	ECE dataplate	1	Country:Australia[AU]

<b>Group</b>	ENGINE
<b>Code</b>	29.27
<b>Description</b>	Engine II
<b>Service</b>	1



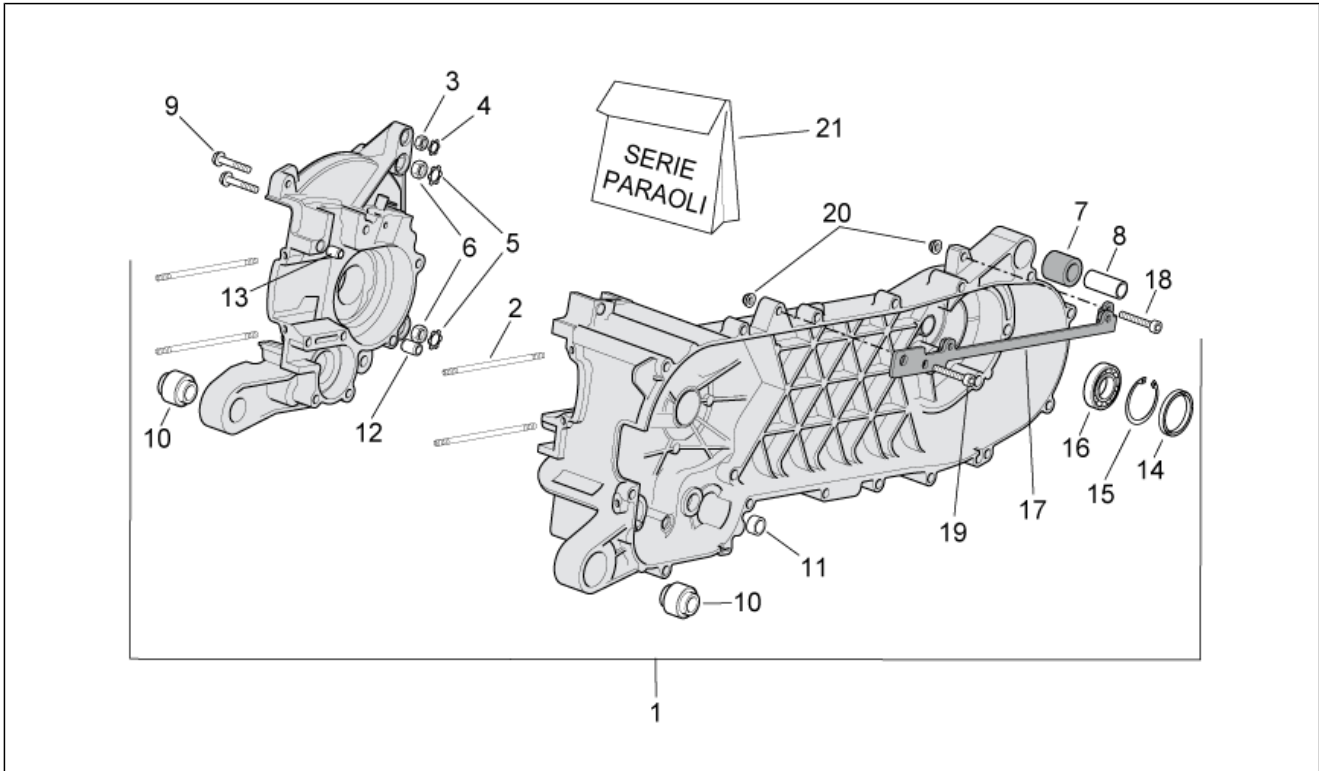
Pos.	Code	Description	Qty	Variants
1	CM1439035	Carb. Engine	1	
2	AP8220704	Variator air intake	1	
3	AP8152318	Screw w/ flange M10x35	1	
4	668009	Shock absorber	1	
5	AP8150412	Screw	1	
6	AP8152301	Self-locking nut	1	
7	AP8152410	Screw w/ flange M10x55	1	
8	AP8152301	Self-locking nut	1	<b>Technical Specifications:</b> Carburetor Version (C364M)[carb]
9	AP8221347	Engine pivot pin bush	1	<b>Technical Specifications:</b> Carburetor Version (C364M)[carb]
10	482404	Variator cover	1	<b>Technical Specifications:</b> Carburetor Version (C364M)[carb]
11	AP8150515	Light adjustment self-threading screw	4	<b>Technical Specifications:</b> Carburetor Version (C364M)[carb]
12	482432	Antidust gasket	1	<b>Technical Specifications:</b> Carburetor Version (C364M)[carb]

<b>Group</b>	ENGINE
<b>Code</b>	29.28
<b>Description</b>	Exhaust pipe
<b>Service</b>	1



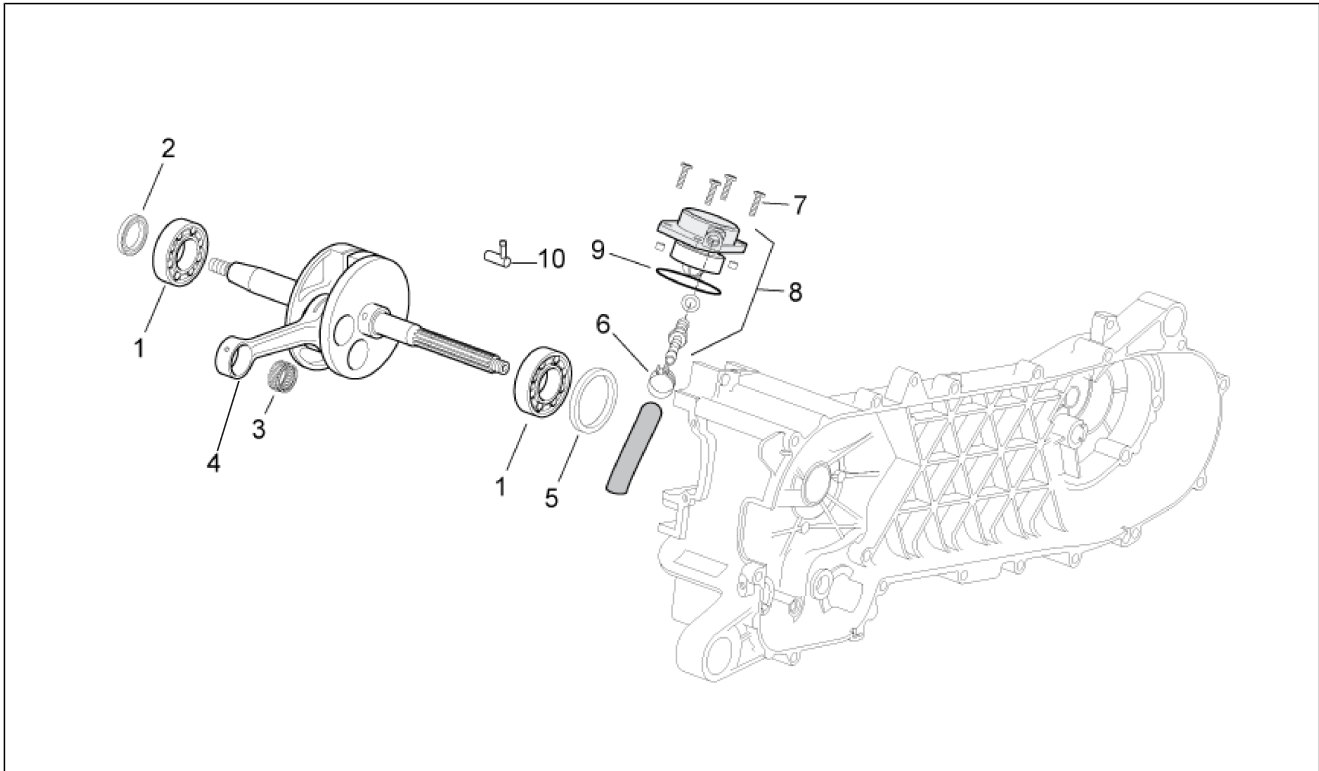
Pos.	Code	Description	Qty	Variants
1	AP8219452	Steel exhaust pipe prot.	1	
2	880065	Silencer	1	<b>Technical Specifications:</b> Carburetor Version (C364M)[carb]
2	B013335	Silencer	1	<b>Technical Specifications:</b> Injection Version (C361M)[ie]
3	AP8150015	Washer 6,6x18x1,6*	2	
4	AP8221297	Insulating washer	2	
5	AP8152246	Screw w/ flange M6x16	2	
6	AP8150017	Washer 8,4x16x1,6	2	
7	AP8150376	Washer 8,5x15x0,8	2	
8	AP8150354	Hex socket screw M8x85*	2	
9	AP8221344	Nut	2	
10	AP8219530	Exhaust pipe flange gasket	1	<b>Technical Specifications:</b> Carburetor Version (C364M)[carb]
11	AP8219531	screw	2	<b>Technical Specifications:</b> Carburetor Version (C364M)[carb]
12	AP8219532	Nut	2	<b>Technical Specifications:</b> Carburetor Version (C364M)[carb]
13	AP8219605	Manifold	1	<b>Technical Specifications:</b> Carburetor Version (C364M)[carb]
14	AP8219612	Exhaust pipe gasket	1	
15	B043546	Plate	1	
16	AP8706087	Rubber spacer	1	
17	AP8121096	T bush 8,2x12x4	2	

<b>Group</b>	ENGINE
<b>Code</b>	29.39
<b>Description</b>	Crank-case
<b>Service</b>	1



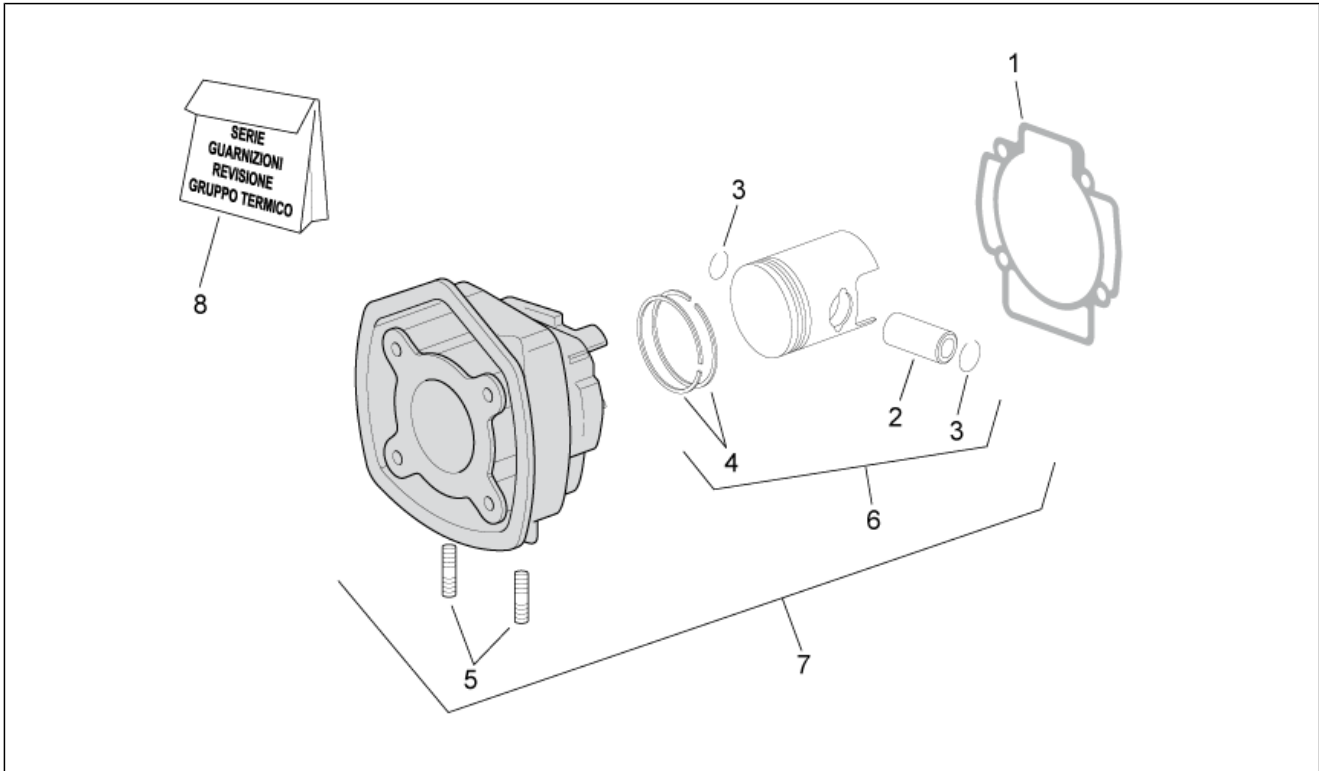
Pos.	Code	Description	Qty	Variants
1	8294235	Crankcase assy	1	<b>Technical Specifications:</b> Injection Version (C361M)[ie]
1	CM1273235	Crankcase assy	1	<b>Technical Specifications:</b> Carburetor Version (C364M)[carb]
2	239382	Stud bolt	4	
3	020006	Nut	1	
4	829376	Stop ring	1	
5	829377	Stop ring	2	
6	020008	Nut M8	2	
7	267823	Shock absorber connection silent block	1	
8	266625	Spacer	1	
9	414835	screw	8	
10	266773	Silent-block	2	<b>Technical Specifications:</b> Carburetor Version (C364M)[carb]
10	486081	Silent-block	2	<b>Technical Specifications:</b> Injection Version (C361M)[ie]
11	4352035	Gasket ring	1	
12	431860	Bush $\varnothing 8 \times \varnothing 12 \times 8$	1	
13	239388	Pin 6,5x9,5x15	2	
14	478498	Gasket ring	1	
15	006647	Circlip	1	
16	434735	Bearing 20x47x14	1	
17	AP8234213	Air box fixing support	1	
18	AP8150220	Hex socket screw M6x30	1	
19	AP8152003	Hex socket screw M6x40	1	
20	AP8152299	Self-locking nut M6	2	
21	497339	Oil seals - set	1	<b>Technical Specifications:</b> Injection Version (C361M)[ie]
21	498337	Oil seals - set	1	<b>Technical Specifications:</b> Carburetor Version (C364M)[carb]

<b>Group</b>	ENGINE
<b>Code</b>	29.40
<b>Description</b>	Drive shaft
<b>Service</b>	1



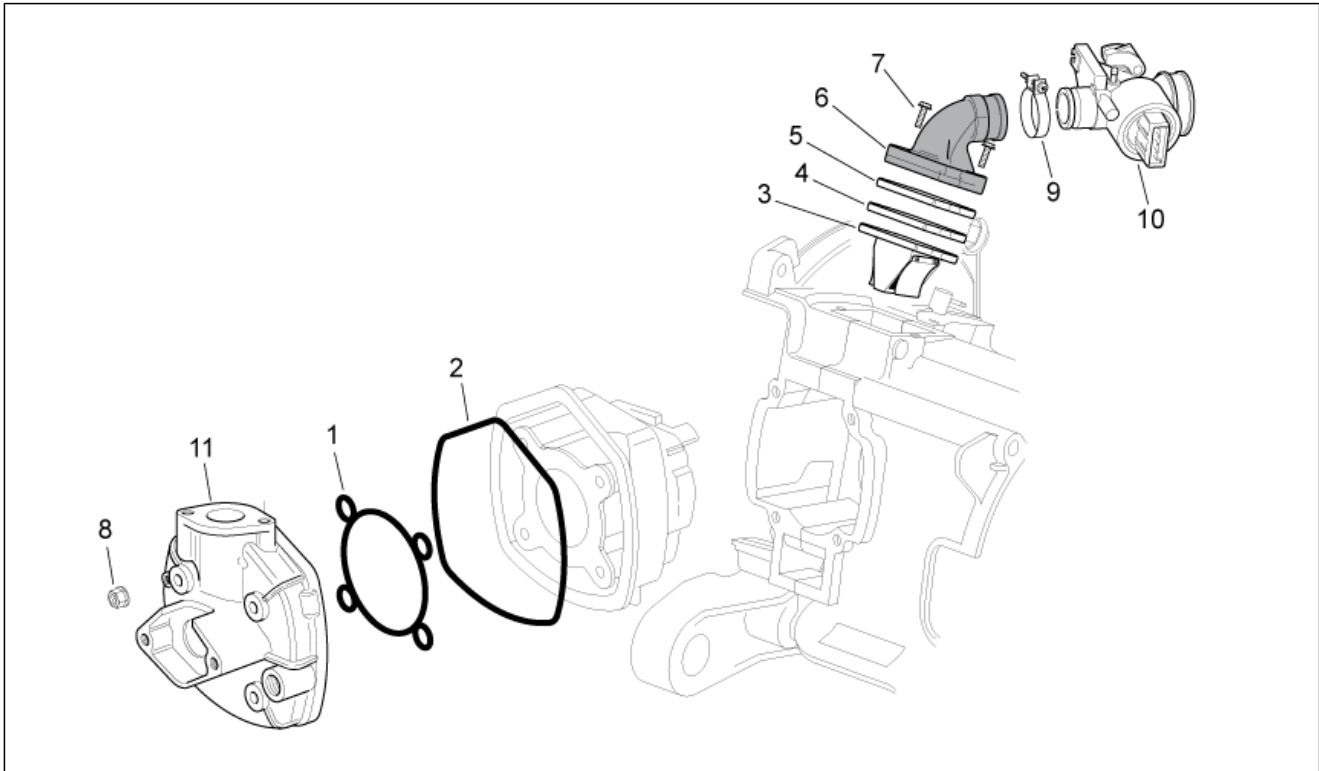
Pos.	Code	Description	Qty	Variants
1	431125	Bearing 20x52x12	2	
2	482315	Flywheel side seal ring	1	
3	500501	Pin cage 1 cat.	1	
3	500502	Pin cage 2 cat.	1	
3	500503	Pin cage 3 cat.	1	
3	500504	Pin cage 4 cat.	1	
4	8269405	Crankshaft cpl.	1	<b>Technical Specifications:</b> Injection Version (C361M)[ie]
4	8338275	Crankshaft cpl.	1	<b>Technical Specifications:</b> Carburetor Version (C364M)[carb]
5	482314	Gear side seal ring	1	
6	CM001913	Hose clamp	1	<b>Technical Specifications:</b> Injection Version (C361M)[ie]
7	015856	screw M5x21	4	<b>Technical Specifications:</b> Injection Version (C361M)[ie]
8	826949	Compressor	1	<b>Technical Specifications:</b> Injection Version (C361M)[ie]
9	830585	O-ring	1	<b>Technical Specifications:</b> Injection Version (C361M)[ie]
10	82768R	Oil valve cpl.	1	

<b>Group</b>	ENGINE
<b>Code</b>	29.41
<b>Description</b>	Cylinder with piston
<b>Service</b>	1



Pos.	Code	Description	Qty	Variants
1	827301	Gasket sp0,4	1	
1	827303	Gasket sp0,6	1	
1	829633	Gasket sp0,8	1	
2	239404	Piston pin	1	
3	239455	Stop ring	2	
4	825416	Gasket ring	2	
4	827853	Gasket ring	2	
4	827854	Gasket ring	2	
5	239397	Stud bolt M6	2	
6	4878020001	Piston assy 1cat.(M)	1	
6	4878020002	Piston assy 2cat.(N)	1	
6	4878020003	Piston assy 3cat.(O)	1	
6	4878020004	Piston assy 4cat.(P)	1	
6	825185	Piston assy 2M	1	
7	833598	Cylinder with piston 1M	1	
8	497338	Cylinder gasket kit	1	<b>Technical Specifications:</b> Injection Version (C361M)[ie]
8	498470	Cylinder gasket kit	1	<b>Technical Specifications:</b> Carburetor Version (C364M)[carb]

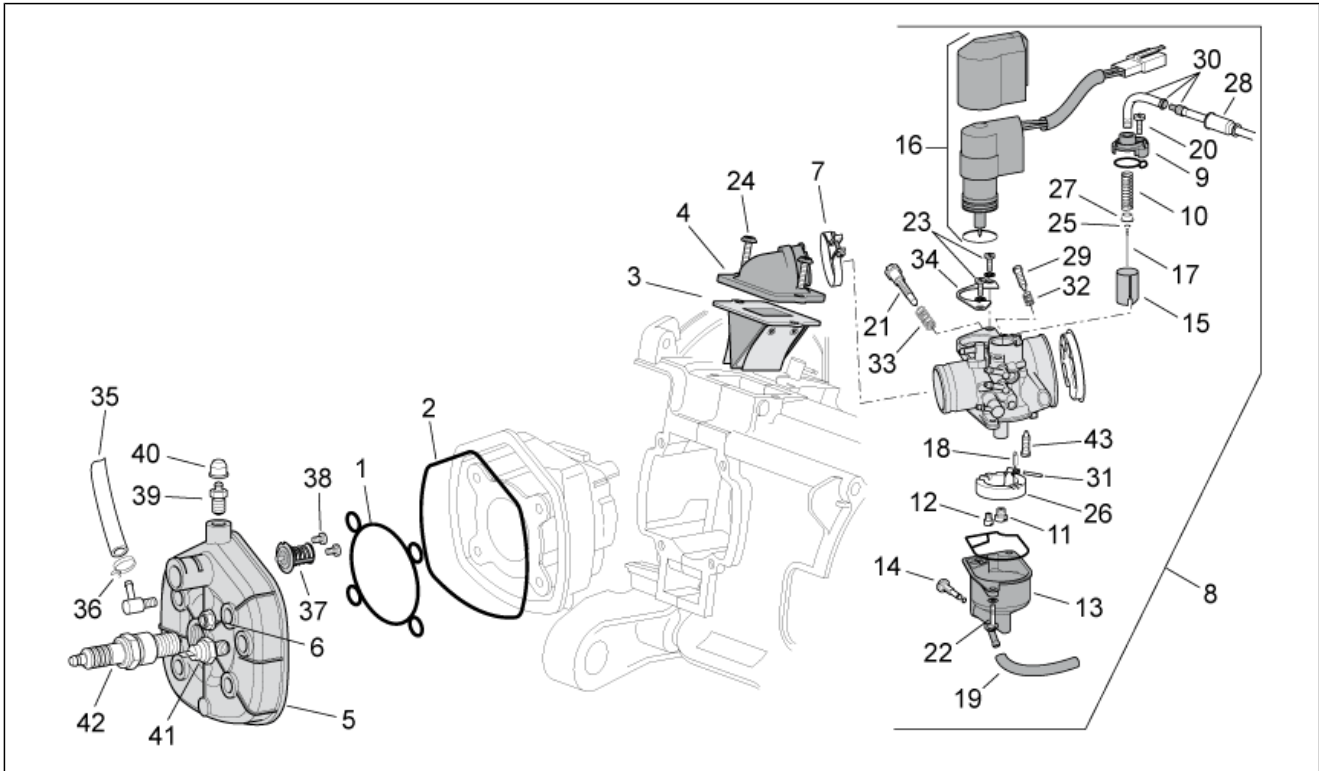
<b>Group</b>	ENGINE
<b>Code</b>	29.42
<b>Description</b>	Cylinder head/Throttle body
<b>Service</b>	1



Pos.	Code	Description	Qty	Variants
1	288289	Inner gasket head	1	
2	482988	Outer gasket head	1	
3	82775R	Reed valve assy	1	<b>Technical Specifications:</b> Injection Version (C361M)[ie]
4	842626	Plate	1	<b>Technical Specifications:</b> Injection Version (C361M)[ie]
5	433361	Fuel intake valve gasket	1	<b>Technical Specifications:</b> Injection Version (C361M)[ie]
6	829703	Intake manifold	1	<b>Technical Specifications:</b> Injection Version (C361M)[ie]
7	830487	screw M6x25	2	<b>Technical Specifications:</b> Injection Version (C361M)[ie]
8	288245	Self locking nut M6	4	
9	825865	Hose clamp	1	
10	830096	Throttle body	1	<b>Technical Specifications:</b> Injection Version (C361M)[ie]
11	830202	Cylinder head	1	<b>Technical Specifications:</b> Injection Version (C361M)[ie]

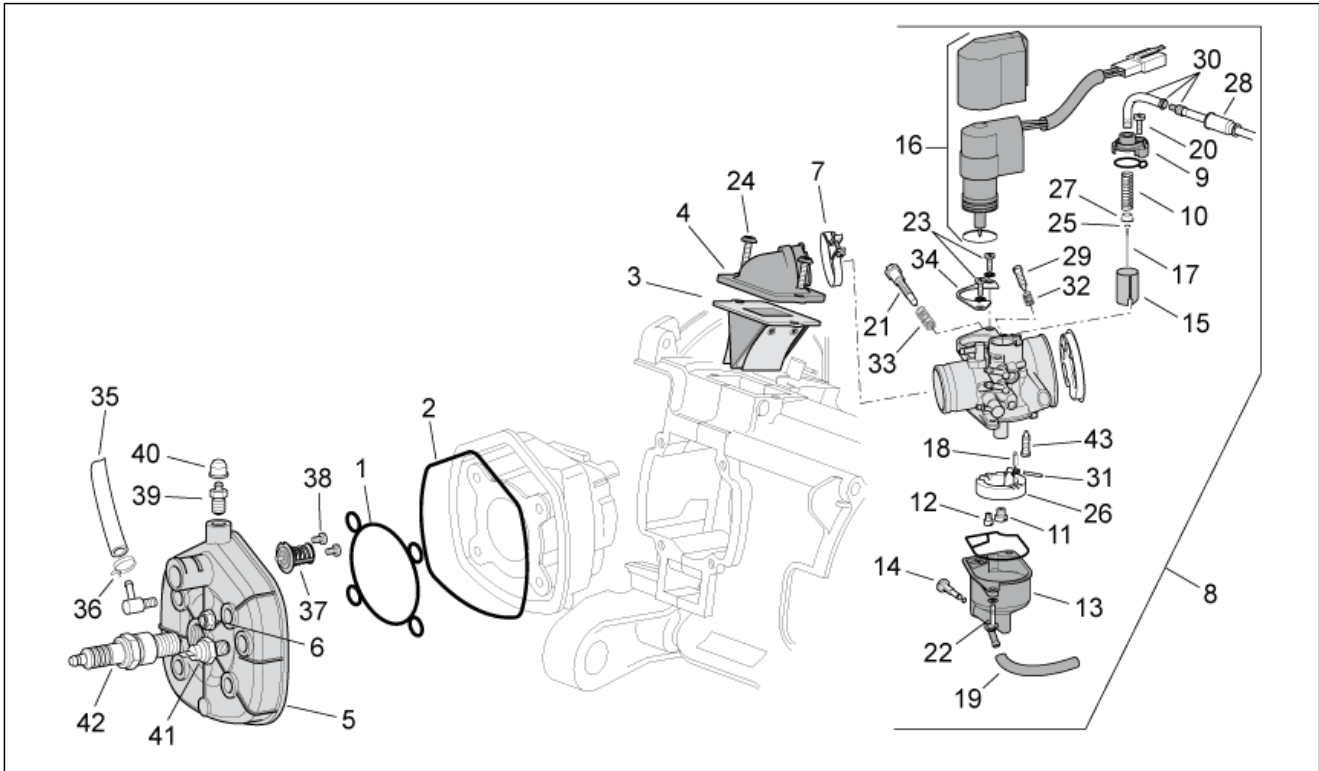


<b>Group</b>	ENGINE
<b>Code</b>	29.43
<b>Description</b>	Cylinder head/Carburettor
<b>Service</b>	1



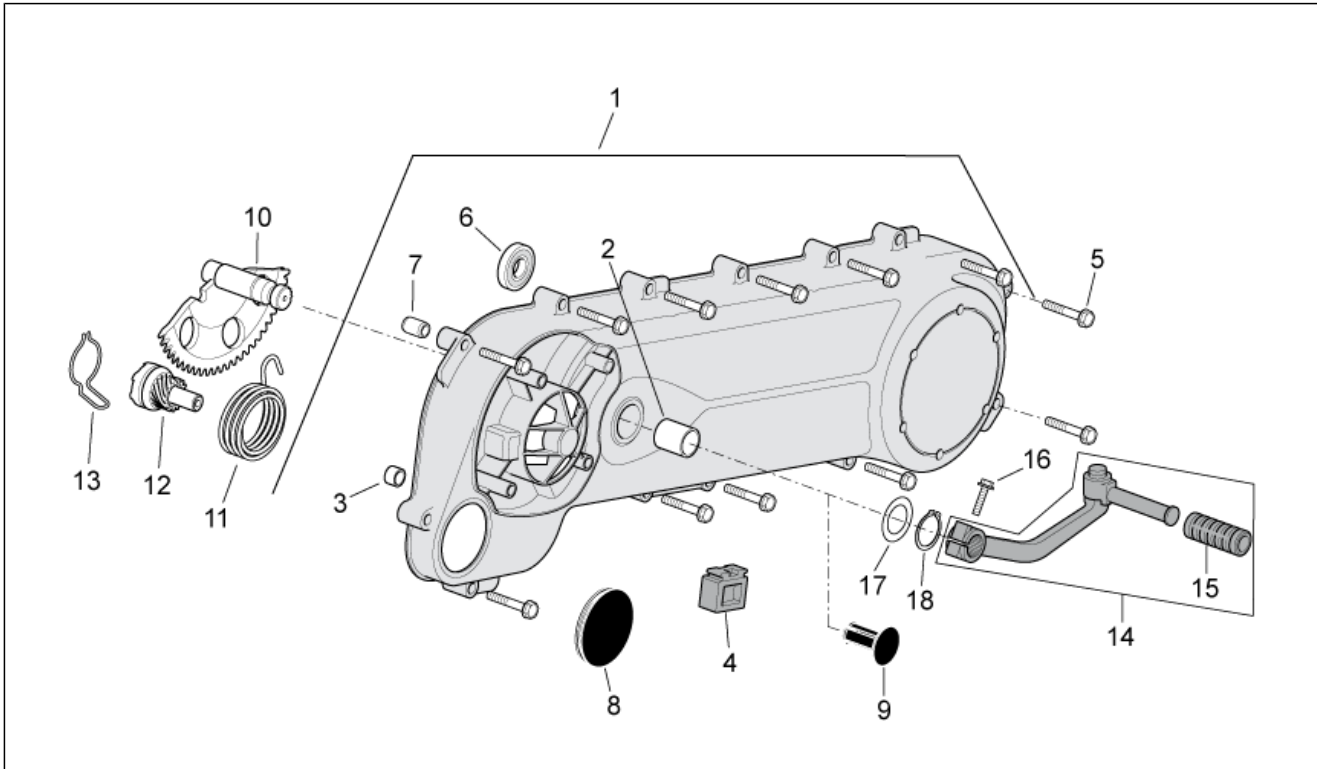
Pos.	Code	Description	Qty	Variants
1	288289	Inner gasket head	1	
2	482988	Outer gasket head	1	
3	82827R	Reed valve assy	1	<b>Technical Specifications:</b> Carburetor Version (C364M)[carb]
4	830939	Intake manifold	1	<b>Technical Specifications:</b> Carburetor Version (C364M)[carb]
5	826490	Cylinder head	1	<b>Technical Specifications:</b> Carburetor Version (C364M)[carb]
6	288245	Self locking nut M6	4	
7	825865	Hose clamp	1	
8	833708	Carburettor cpl.	1	<b>Country:</b> <b>Technical Specifications:</b> Carburetor Version (C364M)[carb]
8	B015754	***CARBURETTOR	1	
9	431654	Gas valve cover	1	<b>Technical Specifications:</b> Carburetor Version (C364M)[carb]
10	482942	Gas valve spring	1	<b>Technical Specifications:</b> Carburetor Version (C364M)[carb]
11	CM101704	Main jet 53	1	<b>Country:</b> <b>Technical Specifications:</b> Carburetor Version (C364M)[carb]
11	CM101711	Main jet 60	1	<b>Country:</b> Japan[JP] <b>Technical Specifications:</b> CH version free speed[kit]
12	CM102103	Idle jet	1	<b>Technical Specifications:</b> Carburetor Version (C364M)[carb]
13	484704	Complete reservoir	1	<b>Technical Specifications:</b> Carburetor Version (C364M)[carb]
14	432456	screw	1	<b>Technical Specifications:</b> Carburetor Version (C364M)[carb]
15	CM141710	Gas valve	1	<b>Technical Specifications:</b> Carburetor Version (C364M)[carb]
15	CM141711	Gas valve	1	<b>Country:</b> <b>Technical Specifications:</b> CH version free speed[kit]
16	CM105905	Starter	1	<b>Technical Specifications:</b> Carburetor Version (C364M)[carb]
17	AP8276033	Conical pin A13	1	<b>Country:</b> <b>Technical Specifications:</b> CH version free speed[kit]
17	CM107510	Conical pin	1	<b>Technical Specifications:</b> Carburetor Version (C364M)[carb]
18	CM128501	Fuel closing needle	1	<b>Technical Specifications:</b> Carburetor Version (C364M)[carb]
19	AP8550215	Float chamber dump pipe L=130	1	<b>Technical Specifications:</b> Carburetor Version (C364M)[carb]
20	288865	screw	1	<b>Technical Specifications:</b> Carburetor Version (C364M)[carb]

<b>Group</b>	ENGINE
<b>Code</b>	29.43
<b>Description</b>	Cylinder head/Carburettor
<b>Service</b>	1



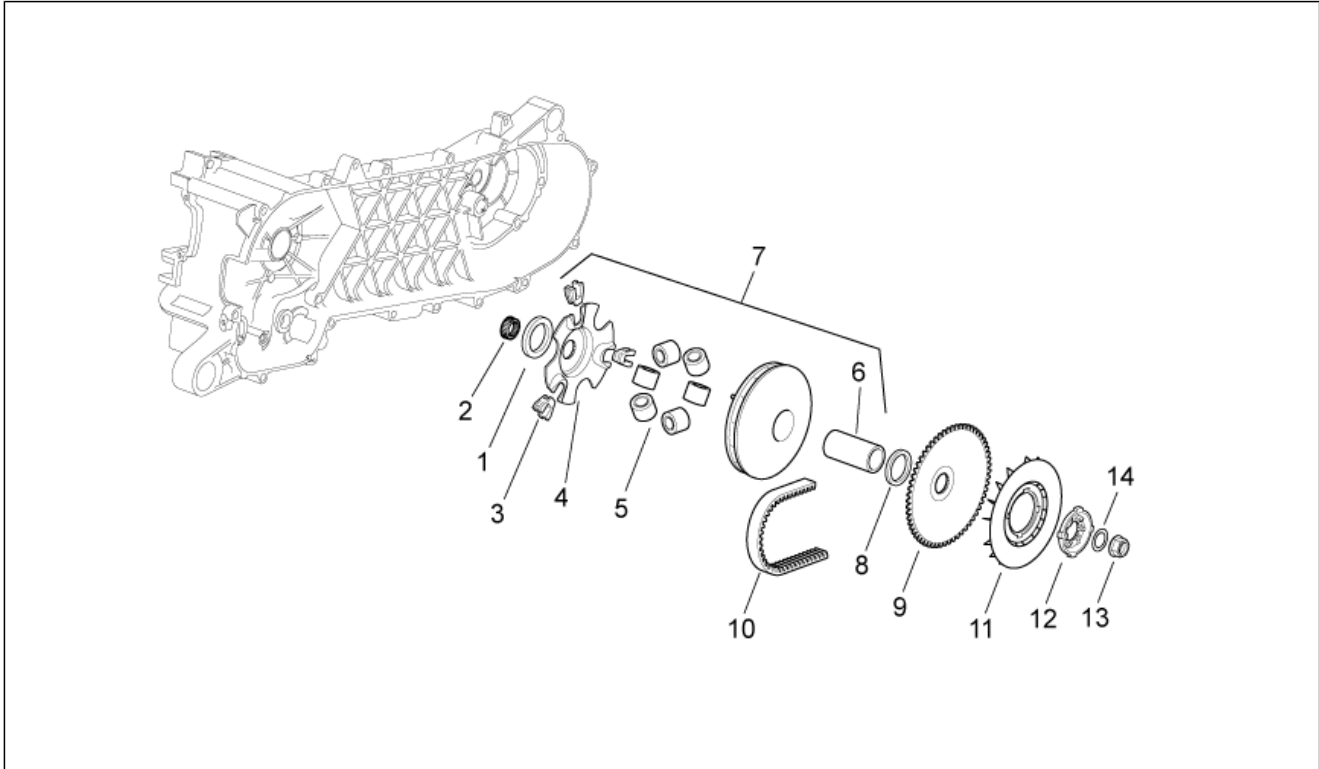
Pos.	Code	Description	Qty	Variants
21	828074	Gas valve adjuster screw	1	<b>Technical Specifications:</b> Carburetor Version (C364M)[carb]
22	288862	Float chamber fixing screw	2	<b>Technical Specifications:</b> Carburetor Version (C364M)[carb]
23	289575	screw	2	<b>Technical Specifications:</b> Carburetor Version (C364M)[carb]
24	830487	screw M6x25	2	<b>Technical Specifications:</b> Carburetor Version (C364M)[carb]
25	288872	Ring	1	<b>Technical Specifications:</b> Carburetor Version (C364M)[carb]
26	482916	Float cpl.	1	<b>Technical Specifications:</b> Carburetor Version (C364M)[carb]
27	288873	Conical pin clip	1	<b>Technical Specifications:</b> Carburetor Version (C364M)[carb]
28	289903	Throttle cable cap	1	<b>Technical Specifications:</b> Carburetor Version (C364M)[carb]
29	CM107701	Air adjuster screw	1	<b>Technical Specifications:</b> Carburetor Version (C364M)[carb]
30	113903	Baffle tube	1	<b>Technical Specifications:</b> Carburetor Version (C364M)[carb]
31	288881	Float pin	1	<b>Technical Specifications:</b> Carburetor Version (C364M)[carb]
32	085285	Spring	1	<b>Technical Specifications:</b> Carburetor Version (C364M)[carb]
33	152608	Spring	1	<b>Technical Specifications:</b> Carburetor Version (C364M)[carb]
34	288863	Plate	1	<b>Technical Specifications:</b> Carburetor Version (C364M)[carb]
35	484260	Head-carb.by-pass pipe	1	<b>Technical Specifications:</b> Carburetor Version (C364M)[carb]
36	CM002901	Hose clamp	4	<b>Technical Specifications:</b> Carburetor Version (C364M)[carb]
37	483395	Thermostat	1	<b>Technical Specifications:</b> Carburetor Version (C364M)[carb]
38	256756	Self-tapping screw	2	<b>Technical Specifications:</b> Carburetor Version (C364M)[carb]
39	430045	Bleed screw	1	<b>Technical Specifications:</b> Carburetor Version (C364M)[carb]
40	063435	Bleed valve cap	1	<b>Technical Specifications:</b> Carburetor Version (C364M)[carb]
41	584573	Thermistor	1	<b>Technical Specifications:</b> Carburetor Version (C364M)[carb]
42	438031	Spark plug Champion RN1C	1	<b>Technical Specifications:</b> Carburetor Version (C364M)[carb]
42	AP8206915	Spark plug BR9ES	1	<b>Country:</b> <b>Technical Specifications:</b> CH version free speed[kit]
43	CM106229	Needle valve	1	<b>Country:</b> <b>Technical Specifications:</b> CH version free speed[kit]

<b>Group</b>	ENGINE
<b>Code</b>	29.45
<b>Description</b>	Transmission cover
<b>Service</b>	1



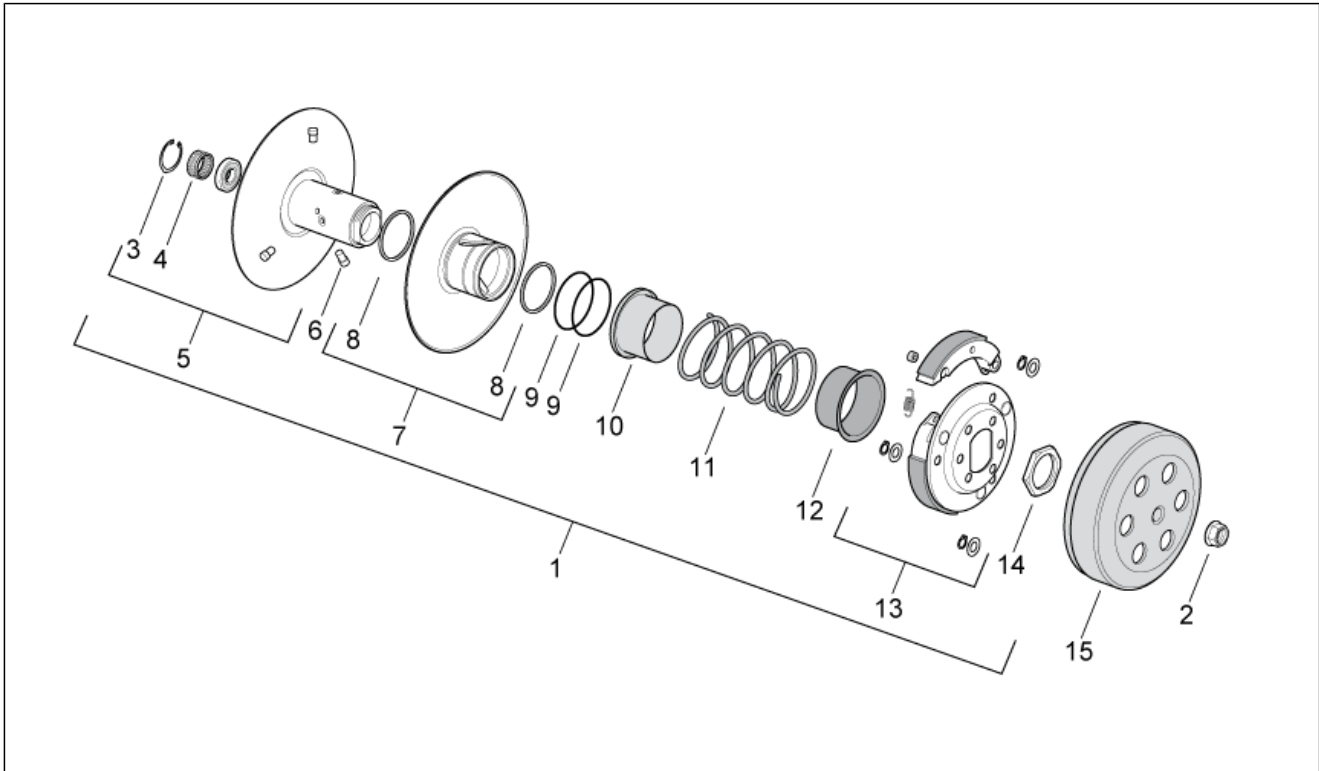
Pos.	Code	Description	Qty	Variants
1	8284535	Transmission cover	1	<b>Technical Specifications:</b> Carburetor Version (C364M)[carb]
1	8298225	Transmission cover	1	<b>Technical Specifications:</b> Injection Version (C361M)[ie]
2	286209	Bush	1	
3	431860	Bush Ø8xØ12x8	1	
4	463872	Stand end stop	1	
5	414838	screw M6x35	12	
6	82521R	Bearing	1	
7	239388	Pin 6,5x9,5x15	2	
8	483859	Cover	1	
9	829820	Cover	1	<b>Technical Specifications:</b> Injection Version (C361M)[ie]
10	831458	Starting shaft	1	<b>Technical Specifications:</b> Carburetor Version (C364M)[carb]
11	289495	Starter lever return spring	1	<b>Technical Specifications:</b> Carburetor Version (C364M)[carb]
12	483537	Pinion starter	1	<b>Technical Specifications:</b> Carburetor Version (C364M)[carb]
13	830212	Elastic spring	1	<b>Technical Specifications:</b> Carburetor Version (C364M)[carb]
14	286214	Starter lever	1	<b>Technical Specifications:</b> Carburetor Version (C364M)[carb]
15	286217	Guard	1	<b>Technical Specifications:</b> Carburetor Version (C364M)[carb]
16	414837	Screw w/ flange M6x25	1	<b>Technical Specifications:</b> Carburetor Version (C364M)[carb]
17	433987	Washer 16,3x23,8	1	<b>Technical Specifications:</b> Carburetor Version (C364M)[carb]
18	006416	Circlip	1	<b>Technical Specifications:</b> Carburetor Version (C364M)[carb]

<b>Group</b>	ENGINE
<b>Code</b>	29.46
<b>Description</b>	Variator
<b>Service</b>	1



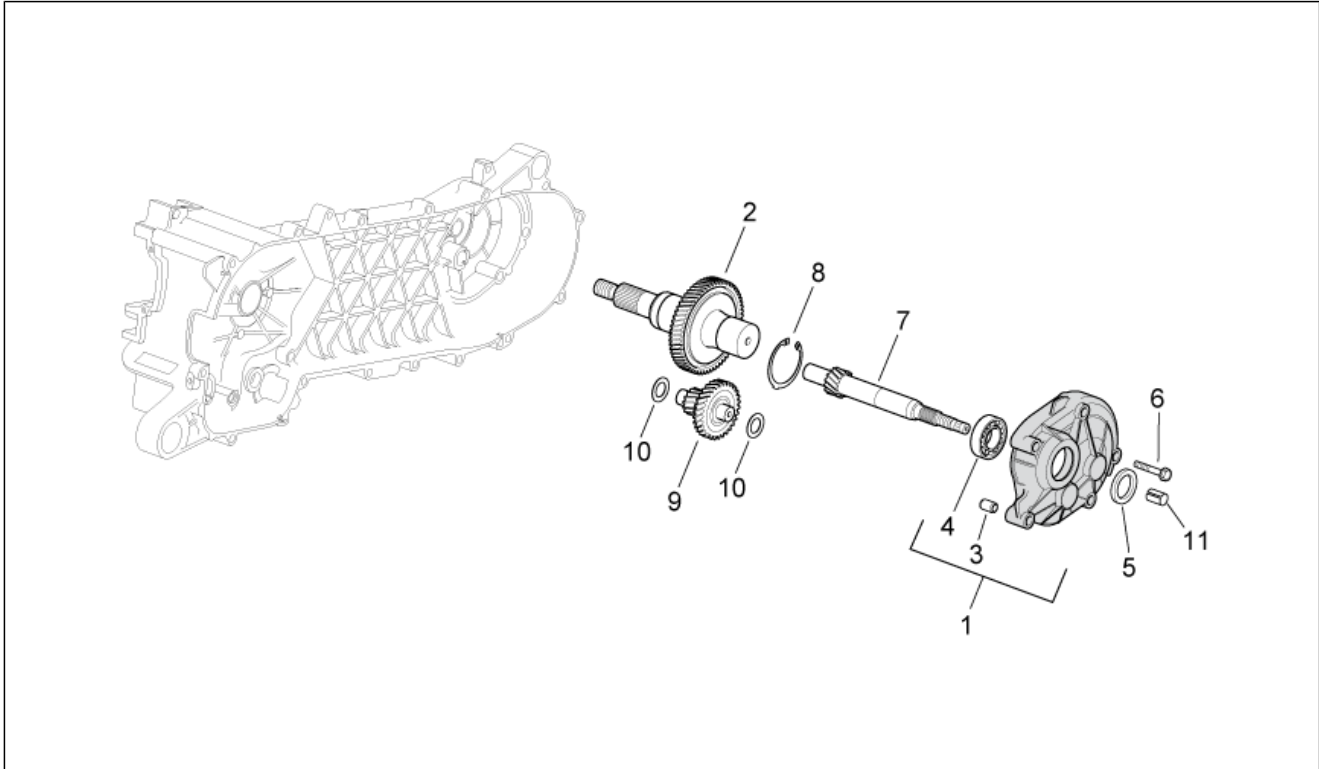
Pos.	Code	Description	Qty	Variants
1	479495	Spacer	1	
2	286158	Toothed pulley	1	
3	289931	Sliding block	3	
4	480227	Roller contrast	1	
5	CM1102025	Roller	1	<b>Technical Specifications:</b> Carburetor Version (C364M)[carb]
5	CM1102035	Rollers kit	1	<b>Technical Specifications:</b> Injection Version (C361M)[ie]
6	480230	Spacer	1	
7	CM110301	Half-pulley assy., driving	1	<b>Technical Specifications:</b> Carburetor Version (C364M)[carb]
7	CM110304	Half-pulley assy., driving	1	<b>Technical Specifications:</b> Injection Version (C361M)[ie]
8	CM100601	Spacer	1	<b>Country:</b> <b>Technical Specifications:</b> Injection Version (C361M)[ie]
8	CM100608	Spacer 25 KM/H	1	<b>Country:</b> <b>Technical Specifications:</b> Limited version 30 Km/h[30km], Injection Version (C361M)[ie]
8	CM100615	Spacer	1	<b>Country:</b> <b>Technical Specifications:</b> Carburetor Version (C364M)[carb]
8	CM100615	Spacer	1	<b>Country:</b> <b>Technical Specifications:</b> Limited version 25Km/h[25km], Injection Version (C361M)[ie]
8	CM100616	Spacer 30 KM/H	1	<b>Country:</b> <b>Technical Specifications:</b> Limited version 45 Km/h[45km], Injection Version (C361M)[ie]
9	479561	Fixed driving half pulley	1	
10	436864	V-belt	1	<b>Technical Specifications:</b> Carburetor Version (C364M)[carb]
10	833982	V-belt	1	<b>Technical Specifications:</b> Injection Version (C361M)[ie]
11	845611	Fan	1	
12	479866	Toothed bushing	1	
13	289519	Flanged nut M10x1,25	2	
14	265300	Washer	1	

<b>Group</b>	ENGINE
<b>Code</b>	29.47
<b>Description</b>	Clutch
<b>Service</b>	1



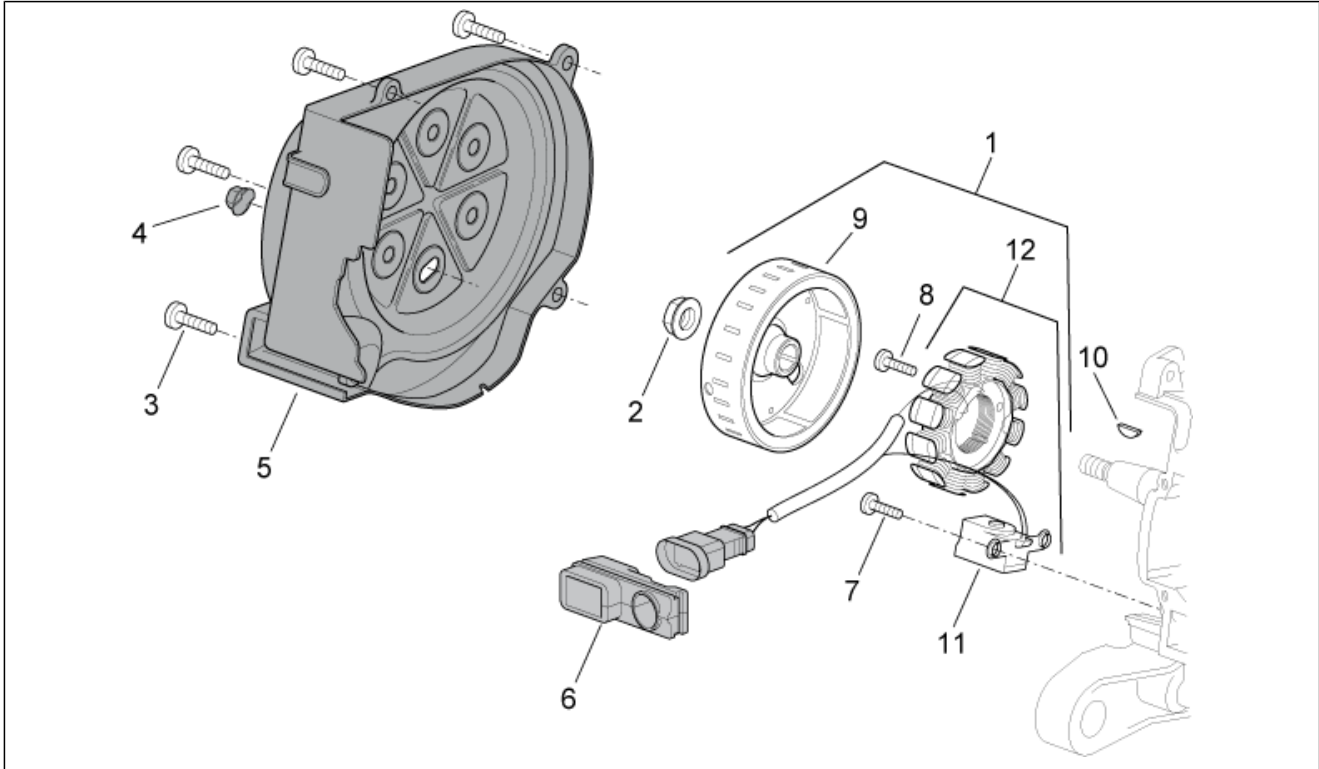
Pos.	Code	Description	Qty	Variants
1	CM100109	Secondary pulley	1	
2	289519	Flanged nut M10x1,25	2	
3	006624	Ring	1	
4	289952	Roller cage	1	
5	4795526	Complete fixed secondary pulley	1	
6	482766	Pin	3	
7	827893	Complete movable secondary pulley	1	
8	289950	Gasket ring	2	
9	289840	Gasket	2	
10	483443	Pulley side cap	1	
11	478028	Variator spring	1	
12	487935	Clutch side cap	1	
13	CM1002045	Centrifugal clutch assy	1	
14	289955	Ring nut	1	
15	289933	Clutch drum	1	

<b>Group</b>	ENGINE
<b>Code</b>	29.48
<b>Description</b>	Transmission final drive
<b>Service</b>	1



Pos.	Code	Description	Qty	Variants
1	4874805	Wheel hub cover with U.P.	1	
2	4874845	Drive shaft assy	1	<b>Technical Specifications:</b> Carburetor Version (C364M)[carb]
2	4874845	Drive shaft assy	1	<b>Technical Specifications:</b> Injection Version (C361M)[ie]
3	239388	Pin 6,5x9,5x15	2	
4	435363	Bearing	1	
5	480066	Gasket ring	1	
6	414834	Screw w/ flange M6x40	5	
7	4795935	Driven pulley shaft	1	
8	480953	Snap ring	1	
9	4802185	Idle gear assy	1	<b>Technical Specifications:</b> Carburetor Version (C364M)[carb]
9	4802185	Idle gear assy	1	<b>Technical Specifications:</b> Injection Version (C361M)[ie]
10	288639	Shim washer	2	
11	478197	Compensator ring	1	

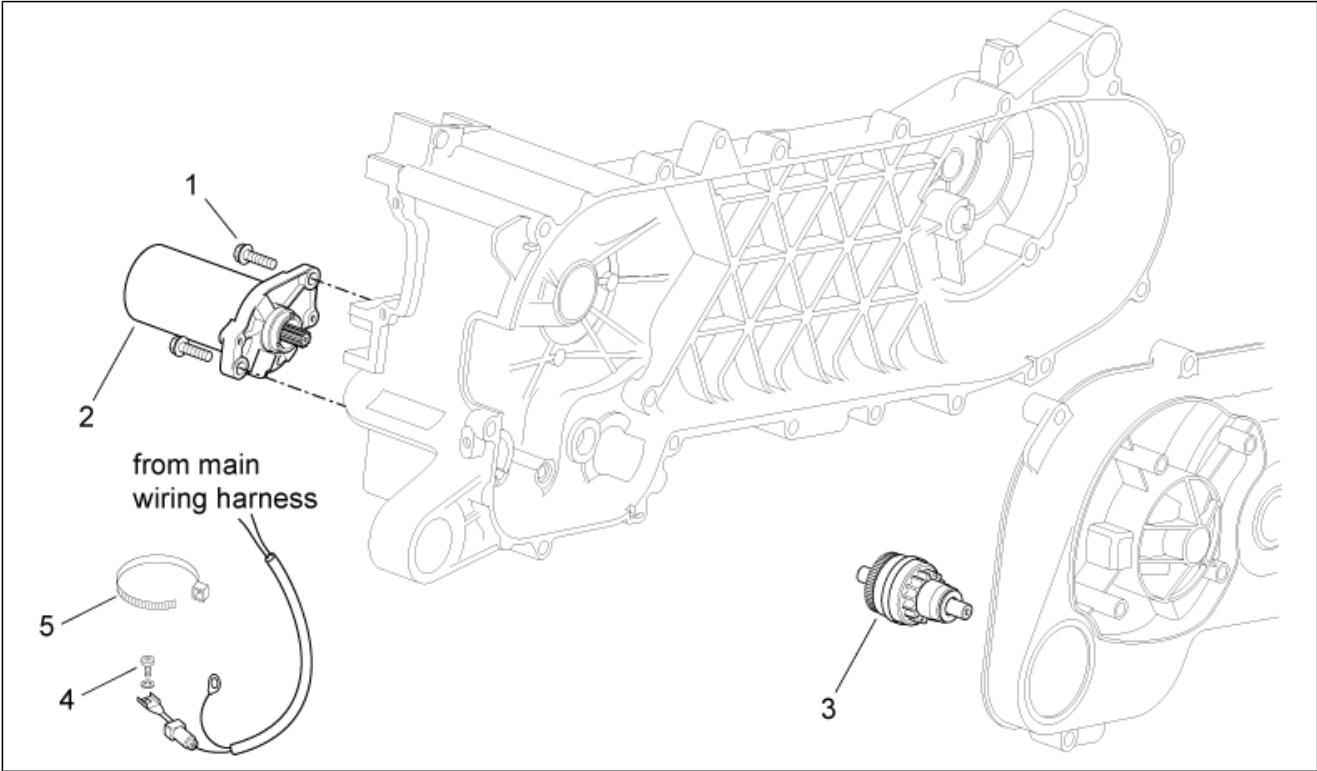
<b>Group</b>	ENGINE
<b>Code</b>	29.49
<b>Description</b>	Flywheel
<b>Service</b>	1



Pos.	Code	Description	Qty	Variants
1	58062R	Flywheel cpl.	1	<b>Technical Specifications:</b> Injection Version (C361M)[ie]
1	58136R	Complete magneto flywheel	1	<b>Technical Specifications:</b> Carburetor Version (C364M)[carb]
2	289005	Flanged nut	1	
3	015856	screw M5x21	4	
4	827712	Cover	1	
5	826972	Flywheel cover	1	<b>Technical Specifications:</b> Injection Version (C361M)[ie]
5	827517	Flywheel cover	1	<b>Technical Specifications:</b> Carburetor Version (C364M)[carb]
6	827685	Fairlead	1	
7	015585	Self-tapping screw M5x12	2	<b>Technical Specifications:</b> Carburetor Version (C364M)[carb]
7	015715	Screw M5x16	2	<b>Technical Specifications:</b> Injection Version (C361M)[ie]
8	015597	TBIC screw	2	
9	584526	Complete rotor (Kokusan)	1	<b>Technical Specifications:</b> Carburetor Version (C364M)[carb]
9	638611	Rotor cpl.	1	<b>Technical Specifications:</b> Injection Version (C361M)[ie]
10	000267	Transmission key	1	
11	831443	Ext. pick-up	1	<b>Technical Specifications:</b> Injection Version (C361M)[ie]
12	584525	Stator cpl.	1	<b>Technical Specifications:</b> Carburetor Version (C364M)[carb]
12	638610	Stator cpl.	1	<b>Technical Specifications:</b> Injection Version (C361M)[ie]



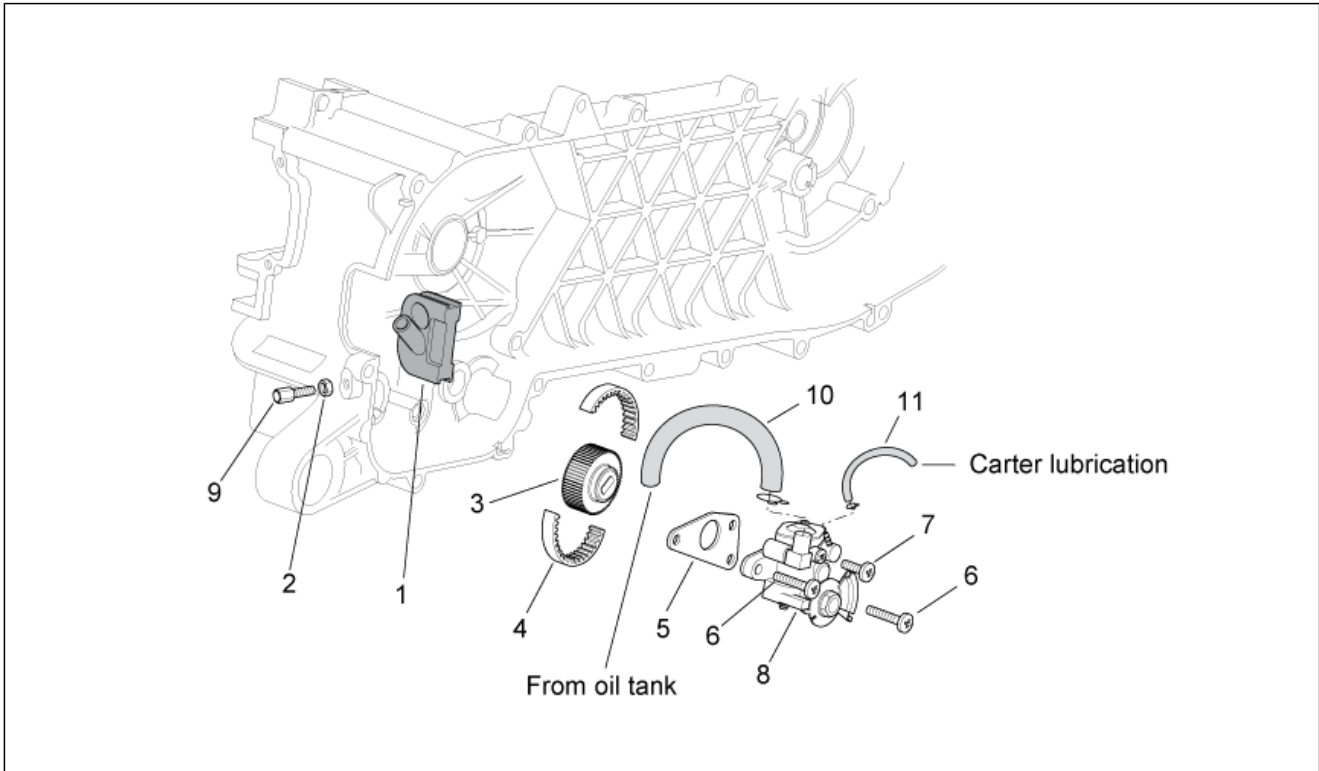
<b>Group</b>	ENGINE
<b>Code</b>	29.50
<b>Description</b>	Starter motor
<b>Service</b>	1



Pos.	Code	Description	Qty	Variants
1	414837	Screw w/ flange M6x25	2	
2	82530R	Starter motor	1	<b>Technical Specifications:</b> Carburetor Version (C364M)[carb]
2	96921R	Starter motor	1	<b>Technical Specifications:</b> Injection Version (C361M)[ie]
3	82531R	Starter motor gear	1	<b>Technical Specifications:</b> Carburetor Version (C364M)[carb]
3	96922R	Complete gear unit	1	<b>Technical Specifications:</b> Injection Version (C361M)[ie]
4	018644	screw	1	
5	AP8120416	Black hose 178x4	1	

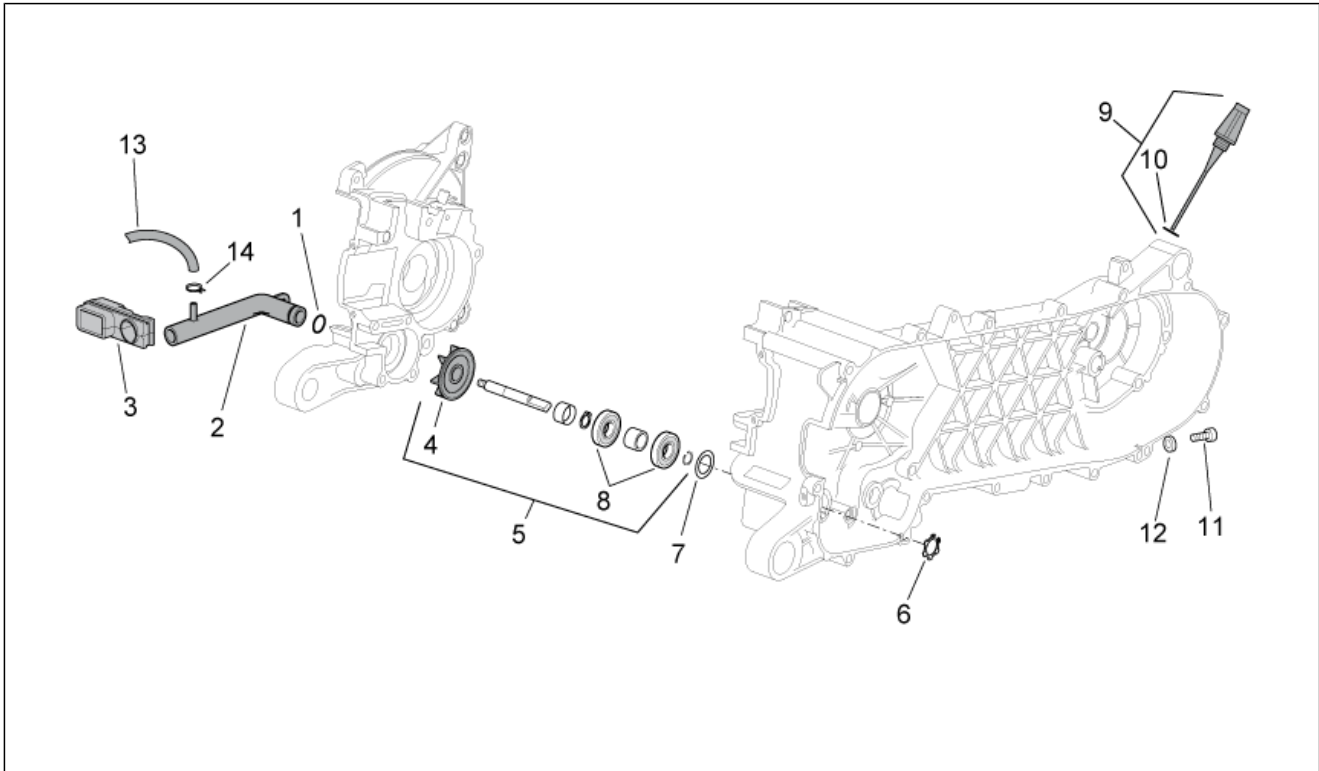


<b>Group</b>	ENGINE
<b>Code</b>	29.51
<b>Description</b>	Oil pump
<b>Service</b>	1



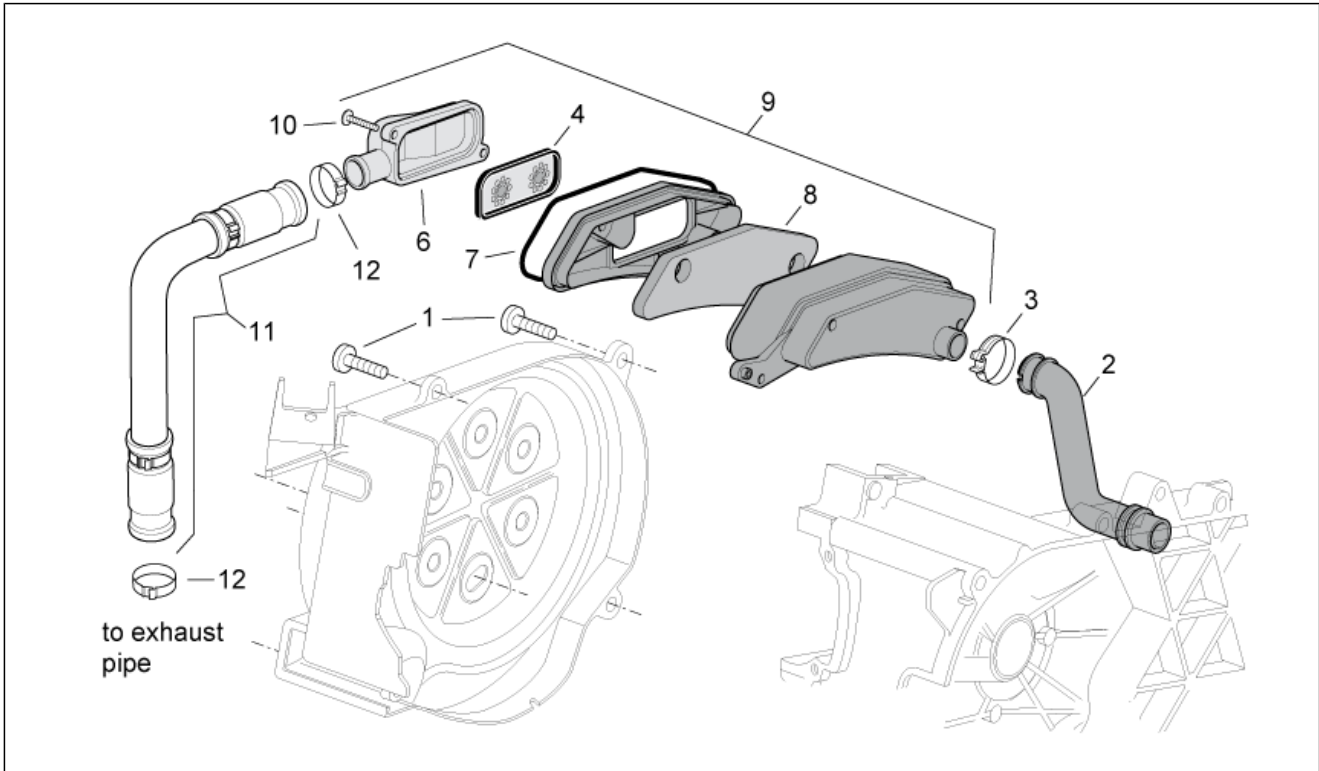
Pos.	Code	Description	Qty	Variants
1	287021	Fairlead	1	
2	020106	Nut M6	1	
3	289262	Oil pump gear, cpl.	1	
4	286162	Toothed belt	1	
5	286163	plate	1	
6	015856	screw M5x21	2	
7	015585	Self-tapping screw M5x12	1	
8	82605R	Oil pump	1	<b>Technical Specifications:</b> Carburetor Version (C364M)[carb]
8	82632R	Oil pump assy.	1	<b>Technical Specifications:</b> Injection Version (C361M)[ie]
9	146197	Adjuster screw	1	
10	CM101509	Oil inlet pipe	1	
11	CM101605	Oil outlet pipe	1	

<b>Group</b>	ENGINE
<b>Code</b>	29.52
<b>Description</b>	Water pump
<b>Service</b>	1



Pos.	Code	Description	Qty	Variants
1	289254	O-ring	1	
2	830004	Water outlet union	1	<b>Technical Specifications:</b> Injection Version (C361M)[ie]
2	832925	Water outlet union	1	<b>Technical Specifications:</b> Carburetor Version (C364M)[carb]
3	827685	Fairlead	1	
4	487730	Impeller	1	
5	497406	Water pump shaft assy.cpl.	1	
6	289553	Stop ring	1	
7	289554	Thrust washer	1	
8	487392	Bearing	2	
9	832130	Complete oil level dipstick	1	
10	827085	Gasket ring 14,43x9,19x2,62	1	
11	269755	Hex socket screw M8x12	1	
12	000397	Gasket	1	
13	488139	Carb-pump by-pass pipe	1	<b>Technical Specifications:</b> Carburetor Version (C364M)[carb]
14	CM002901	Hose clamp	1	

<b>Group</b>	ENGINE
<b>Code</b>	29.53
<b>Description</b>	Secondary air
<b>Service</b>	1



Pos.	Code	Description	Qty	Variants
1	015597	TBIC screw	2	<b>Technical Specifications:</b> Carburetor Version (C364M)[carb]
2	827208	Intake pipe sas	1	<b>Technical Specifications:</b> Carburetor Version (C364M)[carb]
3	CM001905	Hose clamp	1	<b>Technical Specifications:</b> Carburetor Version (C364M)[carb]
4	82758R	Diaphragm	1	<b>Technical Specifications:</b> Carburetor Version (C364M)[carb]
6	827209	Cover sas	1	<b>Technical Specifications:</b> Carburetor Version (C364M)[carb]
7	486943	Gasket	1	<b>Technical Specifications:</b> Carburetor Version (C364M)[carb]
8	486942	Filter sas	1	<b>Technical Specifications:</b> Carburetor Version (C364M)[carb]
9	8318594	Complete s.a.s. box kit	1	<b>Technical Specifications:</b> Carburetor Version (C364M)[carb]
10	478533	Self-tap screw	2	<b>Technical Specifications:</b> Carburetor Version (C364M)[carb]
11	833740	Air pipe sas	1	<b>Technical Specifications:</b> Carburetor Version (C364M)[carb]
12	AP8102273	Hose clip	2	<b>Technical Specifications:</b> Carburetor Version (C364M)[carb]