



PIAGGIO & C.s.p.a.

aprilia

SPARE PARTS CATALOGUE

SR Motard 50 2T E3 2012-2013

Chassis prefix: LBMC50200, LBMC50201

Engine prefix:

Index

Finished products.....	4
Alphanumeric index.....	5
Engine.....	8
Table 01.02 - Engine, assembly.....	8
Table 01.05 - Crankcase.....	9
Table 01.06 - Crankshaft.....	10
Table 01.07 - Cylinder-piston-wrist pin unit.....	11
Table 01.12 - Cylinder head cover.....	12
Table 01.13 - Driving pulley.....	13
Table 01.14 - Driven pulley.....	14
Table 01.15 - Crankcase cover - Crankcase cooling.....	15
Table 01.18 - Oil pump.....	16
Table 01.20 - Stater - Electric starter.....	17
Table 01.21 - Flywheel magneto.....	18
Table 01.23 - Flywheel magneto cover - Oil filter.....	19
Table 01.25 - Reduction unit.....	20
Table 01.35 - Rear brake - Brake jaw.....	21
Table 01.39 - Carburettor, assembly - Union pipe.....	22
Table 01.40 - Carburetor's components.....	23
Table 01.42 - Silencer.....	25
Table 01.45 - Air filter.....	26
Table 01.46 - Secondary air box.....	27
Frame - Plastic parts - Coachwork.....	28
Table 02.01 - Frame/bodywork.....	28
Table 02.25 - Stand/s.....	29
Table 02.26 - Front shield.....	30
Table 02.30 - Front glove-box - Knee-guard panel.....	31
Table 02.31 - Central cover - Footrests.....	32
Table 02.32 - Side cover - Spoiler.....	33
Table 02.33 - Wheel huosing - Mudguard.....	34
Table 02.34 - Helmet huosing - Undersaddle.....	35
Table 02.37 - Rear cover - Splash guard.....	36
Table 02.38 - Plates - Emblems.....	37
Table 02.39 - Saddle/seats - Tool roll.....	39
Table 02.45 - Driving mirror/s.....	40
Table 02.46 - Locks.....	41
Table 02.47 - Fuel tank.....	42
Table 02.52 - Oil tank.....	43
Handlebars/Steering.....	44
Table 03.01 - Handlebars coverages.....	44
Table 03.02 - Meter combination - Cruscotto.....	45
Table 03.06 - Handlebars - Master cil.....	46
Suspensions - Wheels.....	47

Table 04.01 - Swinging arm.....	47
Table 04.02 - Fork/steering tube - Steering bearing unit.....	48
Table 04.10 - Rear suspension - Shock absorber/s.....	49
Table 04.11 - Front wheel.....	50
Table 04.12 - Rear wheel.....	51
Braking system - Transmissions.....	52
Table 05.01 - Brakes pipes - Calipers.....	52
Table 05.03 - Transmissions.....	53
Electrical system.....	54
Table 06.01 - Selectors - Switches - Buttons.....	54
Table 06.03 - Front headlamps - Turn signal lamps.....	55
Table 06.04 - Rear headlamps - Turn signal lamps.....	56
Table 06.05 - Remote control switches - Battery - Horn.....	57
Table 06.06 - Voltage Regulators - Electronic Control Units (ecu) - H.T. Coil.....	58
Table 06.08 - Main cable harness.....	59

Finished products

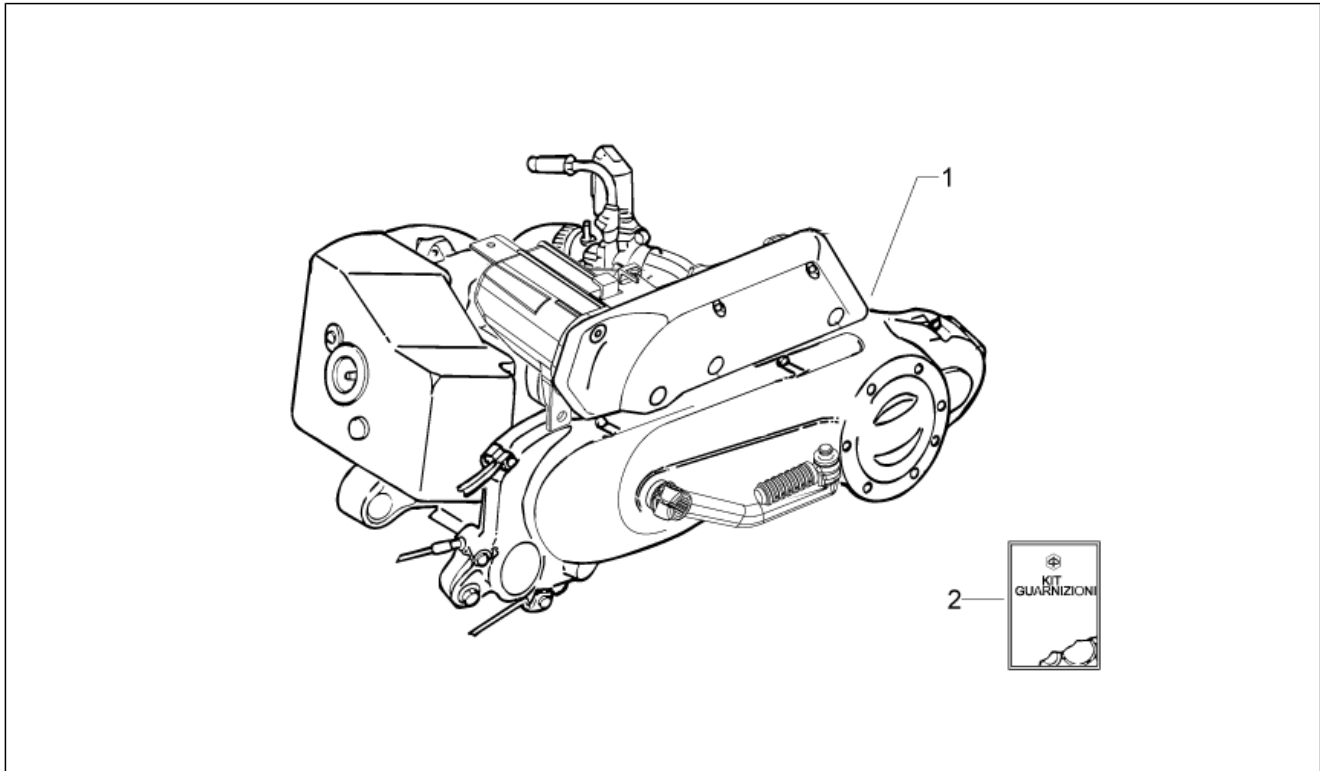
Code	Validity
ESCE000AU1	
ESCE87AAU1	
ESCE90AAU1	
ESCEAOAAU1	
NSCE000CN1	
NSCE000CN6	
NSCE87ACN1	
NSCE90ACN1	
NSCEAOACN1	
NSCEAOACN6	
NSCEEZACN6	

Code	No. table	Pos.	Code	No. table	Pos.	Code	No. table	Pos.
000267	01.21	7	178790	02.52	4	268596	03.02	4
000397	01.05	14	178790	03.06	3	269136	02.39	9
002440	04.01	6	179640	05.03	3	269571	05.03	11
002440	04.10	3	181351	01.15	11	269572	05.03	13
003056	01.45	12	184142	02.26	2	269755	01.05	16
0037514	04.02	16	184142	02.26	5	270310	05.03	4
006624	01.14	2	184142	02.32	3	270723	02.26	4
006647	01.25	3	184142	02.32	6	270723	02.30	2
006975	01.18	4	184142	02.34	4	270723	02.31	6
006975	01.21	11	184142	06.04	4	270723	06.03	4
008375	01.12	5	194423	04.12	6	270793	02.31	2
008457	03.01	2	196868	02.47	10	270991	04.11	8
00H01004131	06.03	2	196868	02.52	23	270991	04.12	3
0111094	04.02	17	18000541	03.01	5	271147	04.11	10
012533	01.45	11	1B00054200XH1	02.32	12	271695	02.25	4
012543	03.06	4	18000543	03.01	1	271740	04.11	7
012789	04.12	5	216983	01.39	10	271807	04.01	4
013861	02.25	10	217163	06.06	7	271976	05.03	12
013880	02.52	17	217164	06.06	8	271977	05.03	14
013880	02.52	8	231027	02.47	5	272836	02.33	2
015330	03.06	5	231571	06.06	9	272836	06.06	4
015585	01.18	5	231590	01.18	16	272921	01.25	2
015585	01.21	10	234390	06.05	3	272929	02.25	2
015597	01.46	7	239382	01.05	8	273099	04.12	7
015759	01.45	9	239388	01.05	2	273419	01.35	4
015856	01.18	6	239388	01.15	3	274245	01.35	3
015856	01.21	5	239397	01.07	6	274489	03.06	11
015856	01.23	2	239404	01.07	2	274491	03.06	10
015856	02.52	15	239455	01.07	3	278940	02.25	5
016195	01.42	11	252420	02.30	6	286158	01.18	15
016404	01.20	4	253937	02.46	7	286162	01.18	11
016404	06.04	17	254485	01.45	6	286163	01.18	7
016406	02.47	3	254485	02.31	10	286209	01.15	5
016406	02.52	16	254485	02.33	3	286214	01.20	12
016406	06.06	5	254485	02.52	9	286217	01.20	13
016408	02.25	11	254485	06.05	6	286218	01.20	14
016408	02.25	7	257134	01.21	4	286219	01.20	15
016410	02.52	5	257134	01.45	14	2865344	01.12	1
018591	06.04	16	257134	05.03	9	286810	01.07	7
018639	01.20	3	257617	02.30	11	287021	01.18	12
018639	02.52	19	258146	01.45	4	287073	01.18	17
018639	02.52	7	258160	02.47	7	287223	01.05	10
018640	01.45	10	259349	02.30	13	288041	01.20	16
018644	01.20	5	259349	02.30	5	288245	01.12	2
020006	01.05	5	259349	02.31	9	288245	01.42	8
020008	01.05	6	259349	02.34	6	288245	02.52	18
020104	06.04	18	259372	02.34	3	288327	01.18	19
020106	01.18	8	259625	01.15	9	288531	01.12	3
020108	02.25	8	259830	06.04	11	288639	01.25	9
030072	02.25	9	259832	02.47	6	288862	01.40	10
030080	02.25	6	265249	03.06	14	288863	01.40	11
031092	02.47	2	265300	01.13	11	288865	01.40	12
078307	01.12	6	266040	05.03	6	288872	01.40	13
080341	06.06	10	266625	01.05	3	288873	01.40	14
085285	01.40	7	266724	01.35	2	288881	01.40	15
113533	01.05	7	266773	01.05	9	288882	01.40	16
113903	01.40	8	267115	03.01	4	289005	01.21	9
120074	01.40	27	267115	03.01	6	289191	01.18	13
123394	03.06	16	267550	04.01	2	289309	01.18	10
123394	03.06	8	267589	04.01	3	289495	01.20	7
127927	05.01	7	267823	01.05	4	289519	01.13	6
129953	06.04	2	267948	03.06	15	289519	01.14	16
145298	01.20	17	268158	04.10	2	289575	01.40	18
145298	05.03	5	268304	02.47	4	289840	01.14	13
146197	01.18	9	268403	05.03	15	289931	01.13	2
152608	01.40	9	268596	02.31	4	289933	01.14	15
164634	03.02	3	268596	02.39	5	289945	01.14	17

Code	No. table	Pos.	Code	No. table	Pos.	Code	No. table	Pos.
289950	01.14	6	487935	01.14	10	642025	06.03	5
289952	01.14	3	488129	01.39	8	642026	06.03	8
289955	01.14	12	497544	01.02	2	642318	06.05	1
290404	06.08	2	500501	01.06	2	642479	06.08	1
292022	06.04	14	500502	01.06	2	643414	03.02	1
292507	06.08	3	500503	01.06	2	646832	03.06	18
294131	06.03	3	500504	01.06	2	647384	01.35	5
294434	06.01	1	561714	04.11	9	650075	04.02	14
296743	02.39	4	562923	03.06	9	650693	04.02	15
297498	02.26	9	56293R	01.35	1	650983	05.01	2
297498	02.30	7	563728	04.12	8	651014	01.42	3
298581	02.46	6	563977	04.01	5	651502	05.01	6
298594	02.46	8	56434R	04.11	11	652697	02.39	8
298604	02.01	2	564475	04.11	4	655554	03.06	2
298731	02.46	4	564497	05.03	7	6574610087	02.26	1
298838	02.46	2	564527	04.11	3	6574610090	02.26	1
298903	02.46	1	564681	03.06	13	65746100AO	02.26	1
327187	04.11	2	574362	02.52	22	65746100EZ	02.26	1
414835	01.05	13	575249	02.30	9	65746200XH1	02.26	8
414837	01.20	11	575249	02.33	4	65746300XH1	02.26	7
414837	05.03	8	575249	02.34	2	6574660087	02.32	4
414838	01.15	7	575321	02.47	9	6574660090	02.32	4
431125	01.06	5	575819	02.30	12	65746600AO	02.32	4
431654	01.40	20	577492	02.39	2	65746600EZ	02.32	4
431860	01.05	11	577557	02.47	11	6574670087	02.32	1
431860	01.15	4	577557	02.52	21	6574670090	02.32	1
432456	01.40	24	58056R	06.01	2	65746700AO	02.32	1
433122	01.42	10	58057R	06.01	4	65746700EZ	02.32	1
433987	01.20	8	58058R	06.01	3	65746800XH1	02.26	6
434541	06.05	5	580723	06.01	6	65746900XH1	02.37	2
434735	01.25	4	58093R	06.05	4	6574700090	03.01	1
435363	01.05	17	58095R	06.06	6	657472	02.37	1
436206	01.40	21	58096R	06.06	1	6574720090	02.37	1
438075	01.12	7	58136R	01.21	1	65747300XH1	02.37	3
478028	01.14	7	581767	01.45	13	65747500XH1	02.33	5
478115	01.05	12	582042	06.05	2	657507	02.47	1
478197	01.15	6	582058	02.37	7	664045	04.02	18
478498	01.25	5	582428	02.37	6	664170	06.03	11
478533	01.46	6	583603	02.25	3	664303	02.32	9
4795526	01.14	8	584332	06.03	6	664305	02.32	10
479561	01.13	7	584332	06.03	9	664306	02.26	12
480066	01.05	18	584332	06.04	6	664307	02.26	10
480227	01.13	3	584332	06.04	9	664308	02.26	13
480230	01.13	5	584426	06.01	5	664309	02.26	11
4808485	01.05	21	584526	01.21	3	664359	06.04	7
480866	01.18	18	584810	06.05	3	664360	06.03	7
480953	01.05	15	598918	05.03	2	664361	06.04	10
482314	01.06	3	598919	05.01	3	664362	06.03	10
482315	01.06	4	5A000289	02.38	15	664427	02.52	1
482766	01.14	4	5A000290	02.38	16	664434	02.37	5
482942	01.40	22	5A000291	02.38	15	664454	02.26	14
483443	01.14	9	5A000292	02.38	16	664454	02.32	11
483537	01.20	9	600482	04.02	12	664457	06.04	3
484704	01.40	23	600485	04.02	4	666008	05.01	1
485671	01.40	17	600490	04.02	5	66609100XH1	02.33	1
486149	01.18	14	600495	04.02	10	666261	04.02	2
486942	01.46	2	601205	04.12	4	666262	04.02	3
486943	01.46	3	601401	04.02	11	666286	04.12	1
487211	01.25	6	624522	02.47	14	666302	02.25	1
487592	01.45	8	638833	02.37	4	666311	04.11	1
487665	01.42	4	639027	06.06	3	666929	05.03	10
487718	01.45	3	639865	01.21	2	666930	05.03	1
487719	01.45	2	6420190090	03.02	5	668484	04.02	1
4878020001	01.07	1	642021	06.03	1	67207000XH1	02.33	6
4878020002	01.07	1	642022	06.04	1	672173	06.06	2
4878020003	01.07	1	642023	06.04	5	672185	02.37	9
4878020004	01.07	1	642024	06.04	8	672186	02.37	8

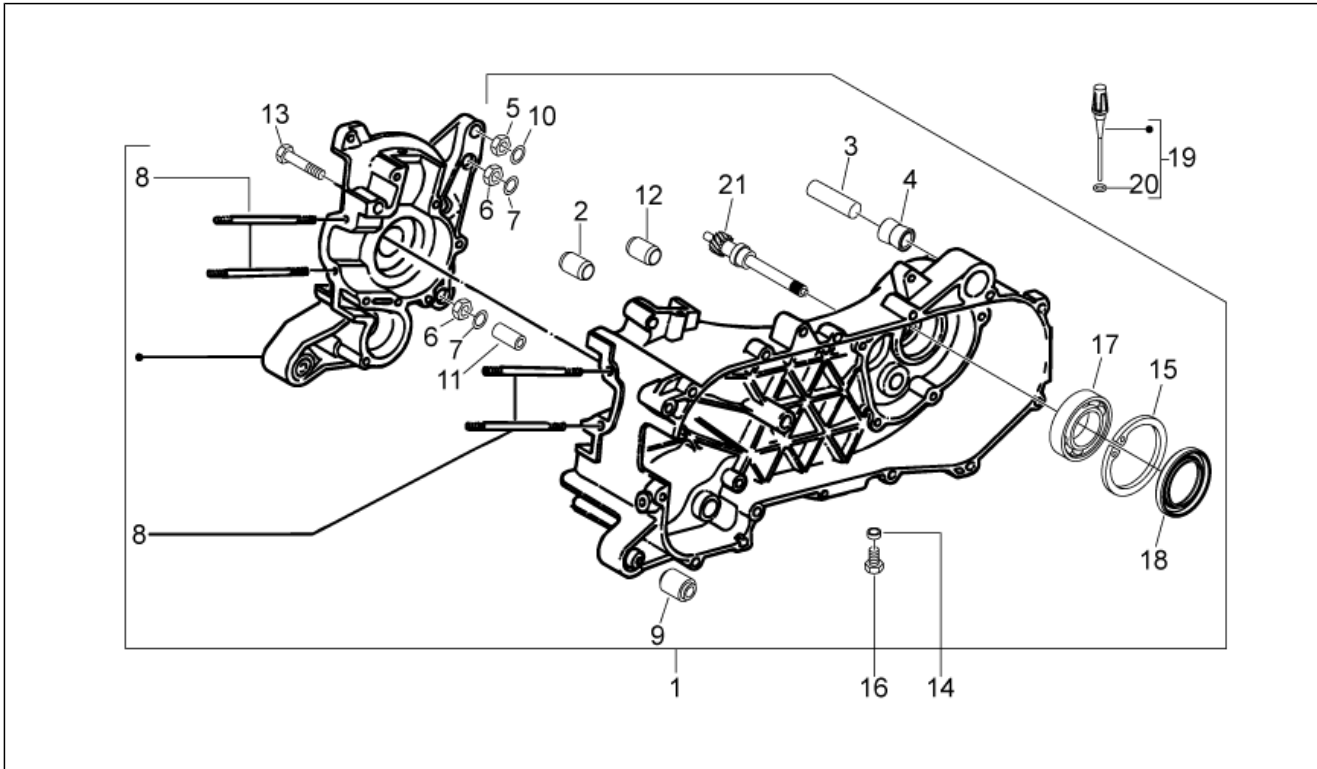
Code	No. table	Pos.	Code	No. table	Pos.	Code	No. table	Pos.
67219000XH1	02.34	1	833428	01.35	6	890234	06.06	12
672200	02.38	13	833740	01.46	10	890301	03.06	7
672327	02.39	6	8337855	01.25	10	890302	01.40	28
672750	02.01	1	833817	01.23	1	890303	05.03	15
675331	02.39	1	834187	01.42	9	890664	01.42	1
677056	02.38	1	840159	01.45	7	890665	01.42	12
677057	02.38	2	842202	01.39	3	890975	01.20	2
677058	02.38	5	844964	01.15	8	893087	02.52	6
677059	02.38	6	845590	01.42	7	895839	02.38	12
677060	02.38	3	845611	01.13	9	967383	02.52	3
677061	02.38	4	845692	01.12	4	B013227	01.45	1
677062	02.38	7	848860	01.15	10	B0146385	01.25	1
677063	02.38	8	85270000XH1	02.34	7	CM001905	01.46	9
677064	02.38	9	85299000XH1	02.34	5	CM001912	02.47	13
677065	02.38	10	853047	03.06	1	CM001921	02.52	13
677066	02.38	11	853050	03.01	5	CM002901	01.39	6
677067	02.38	1	8530500090	03.01	5	CM002903	02.52	12
677068	02.38	2	853058	04.11	6	CM002904	01.39	5
677069	02.38	5	85306100XH1	02.31	1	CM003906	02.52	11
677070	02.38	6	853075	04.11	5	CM006103	02.47	16
677071	02.38	3	853075	04.12	2	CM006124	02.52	10
677072	02.38	4	853107	04.01	1	CM017409	03.01	3
677073	02.38	10	85643100XH1	02.31	5	CM025711	02.47	8
677074	02.38	11	85643300XH1	02.30	1	CM027914	02.47	12
677534	02.38	14	85643600XH1	02.26	3	CM027920	02.47	15
677534	02.46	9	856437	02.30	10	CM060978	03.06	6
677535	02.38	14	856440	03.02	2	CM063805	03.06	12
709047	05.01	4	856441	04.10	1	CM064305	03.06	17
825187	06.06	11	85645000XH1	02.31	7	CM100107	01.14	14
82521R	01.15	2	85645100XH1	02.31	8	CM1002025	01.14	11
82530R	01.20	1	85645200XH1	02.32	7	CM100615	01.13	12
82531R	01.20	6	85645300XH1	02.32	8	CM101509	01.18	2
825416	01.07	4	856454	02.32	12	CM101605	01.18	3
826117	01.42	6	8564540090	02.32	12	CM101704	01.40	1
826462	01.15	12	856462	02.39	3	CM102103	01.40	2
82652R	01.18	1	856463	02.39	7	CM105905	01.40	25
82655R	01.14	1	856465	02.39	11	CM107510	01.40	3
827085	01.05	20	856466	02.39	10	CM107701	01.40	4
82712R	01.13	8	85647100XH1	02.30	3	CM1102015	01.13	4
827208	01.46	8	856472	02.30	4	CM110302	01.13	1
827209	01.46	5	856473	02.30	8	CM112001	01.40	30
827425	01.23	3	85647400XH1	02.30	14	CM124215	01.02	1
827443	01.46	11	858180	06.04	13	CM1275105	01.05	1
827444	01.46	12	85824300XH1	02.31	3	CM128501	01.40	5
827444	01.46	13	858306	06.04	12	CM141710	01.40	6
827526	01.42	5	858318	04.02	13	CM162201	01.25	7
82758R	01.46	4	858319	04.02	6	CM180601	02.45	1
82774R	01.39	9	858320	04.02	9	CM180602	02.45	2
8278045	01.25	8	858321	04.02	8			
827847	01.21	12	858322	04.02	7			
827853	01.07	4	858334	06.04	15			
827854	01.07	4	858542	05.03	16			
827892	01.40	29	858543	05.01	5			
827893	01.14	5	860193	02.46	3			
828074	01.40	26	860535	03.02	6			
828765	01.21	8	860536	02.32	2			
828862	01.35	7	860536	02.32	5			
828863	01.35	8	860691	02.46	5			
830056	01.45	5	860788	02.52	20			
830325	01.42	2	860913	02.52	2			
830487	01.39	4	8721985	01.15	1			
830939	01.39	2	873979	01.21	6			
831116	01.07	5	875551	01.40	19			
831458	01.20	10	875862	01.06	1			
8318594	01.46	1	876642	01.39	1			
832130	01.05	19	877075	01.13	10			
832186	01.39	7	890096	02.52	14			

Group	Engine
Code	01.02
Description	Engine, assembly
Service	1



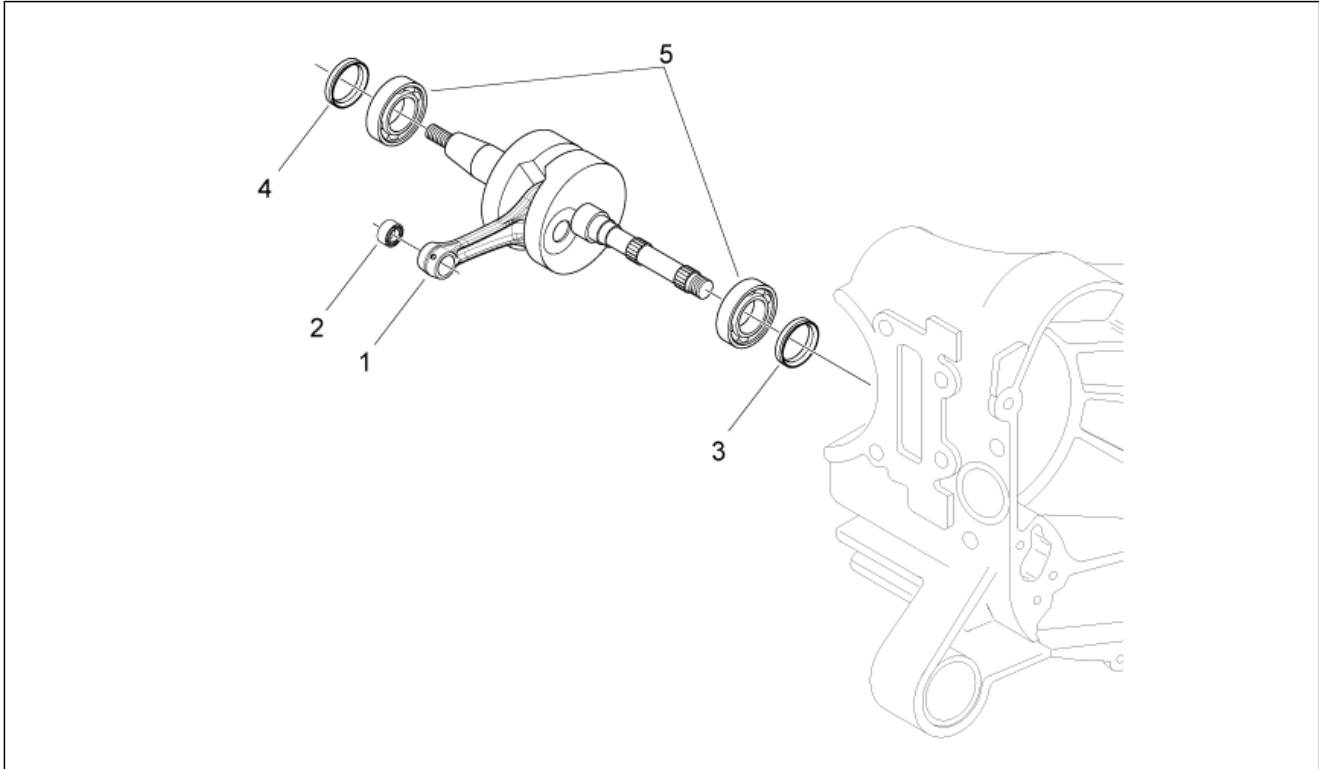
Pos.	Code	Description	Qty	Variants
1	CM124215	Engine 50 2T E2	1	
2	497544	Gasket-seal rings kit	1	

Group	Engine
Code	01.05
Description	Crankcase
Service	1



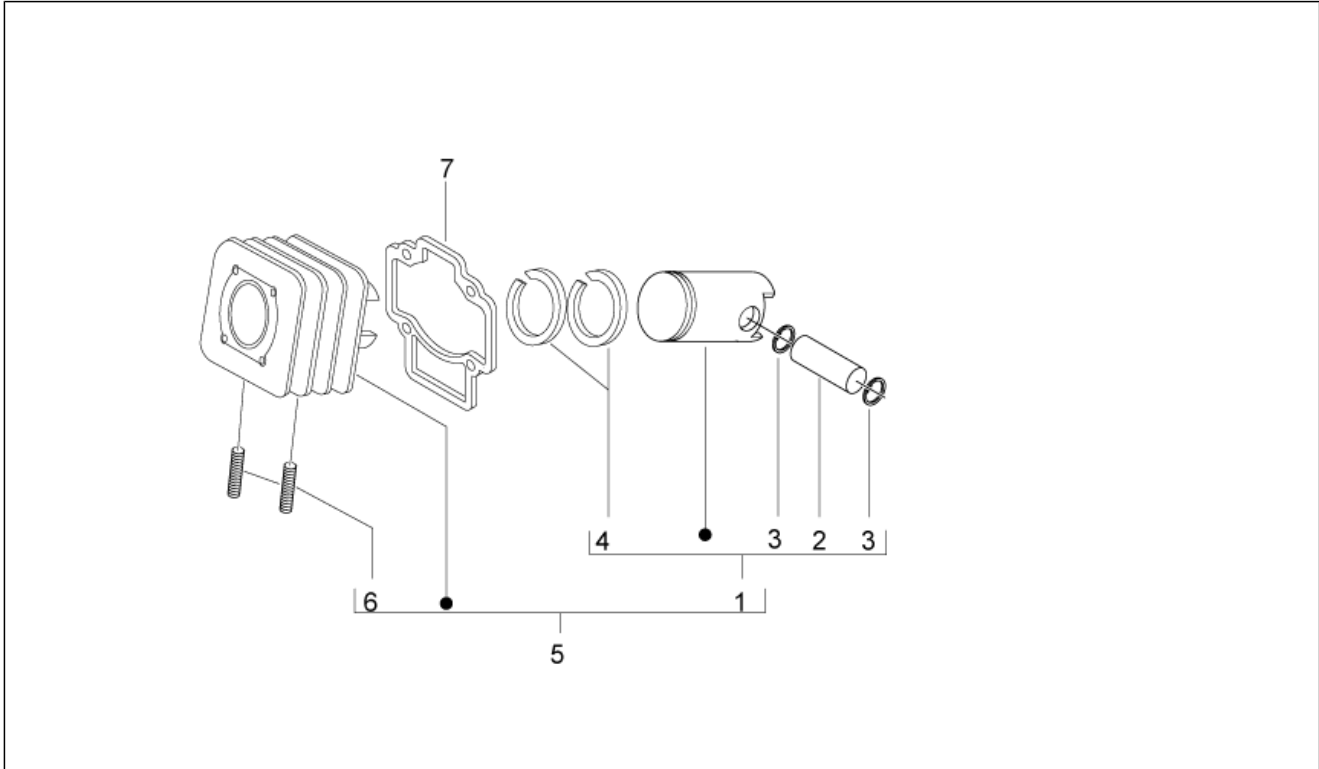
Pos.	Code	Description	Qty	Variants
1	CM1275105	Crankcase assembly	1	
2	239388	Pin 6,5x9,5x15	2	
3	266625	Spacer	1	
4	267823	Shock absorber connection silent block	1	
5	020006	Nut	1	
6	020008	Nut M8	2	
7	113533	Ring	2	
8	239382	Stud bolt	4	
9	266773	Silent-block	2	
10	287223	Ring	1	
11	431860	Bush $\varnothing 8 \times \varnothing 12 \times 8$	1	
12	478115	Locating dowel $\varnothing 11 \times \varnothing 8,1 \times 10$	2	
13	414835	screw	8	
14	000397	Gasket	1	
15	480953	Snap ring	1	
16	269755	Hex socket screw M8x12	1	
17	435363	Bearing	1	
18	480066	Gasket ring	1	
19	832130	Complete oil level dipstick	1	
20	827085	Gasket ring 14,43x9,19x2,62	1	
21	4808485	Driven pulley shaft	1	

Group	Engine
Code	01.06
Description	Crankshaft
Service	1



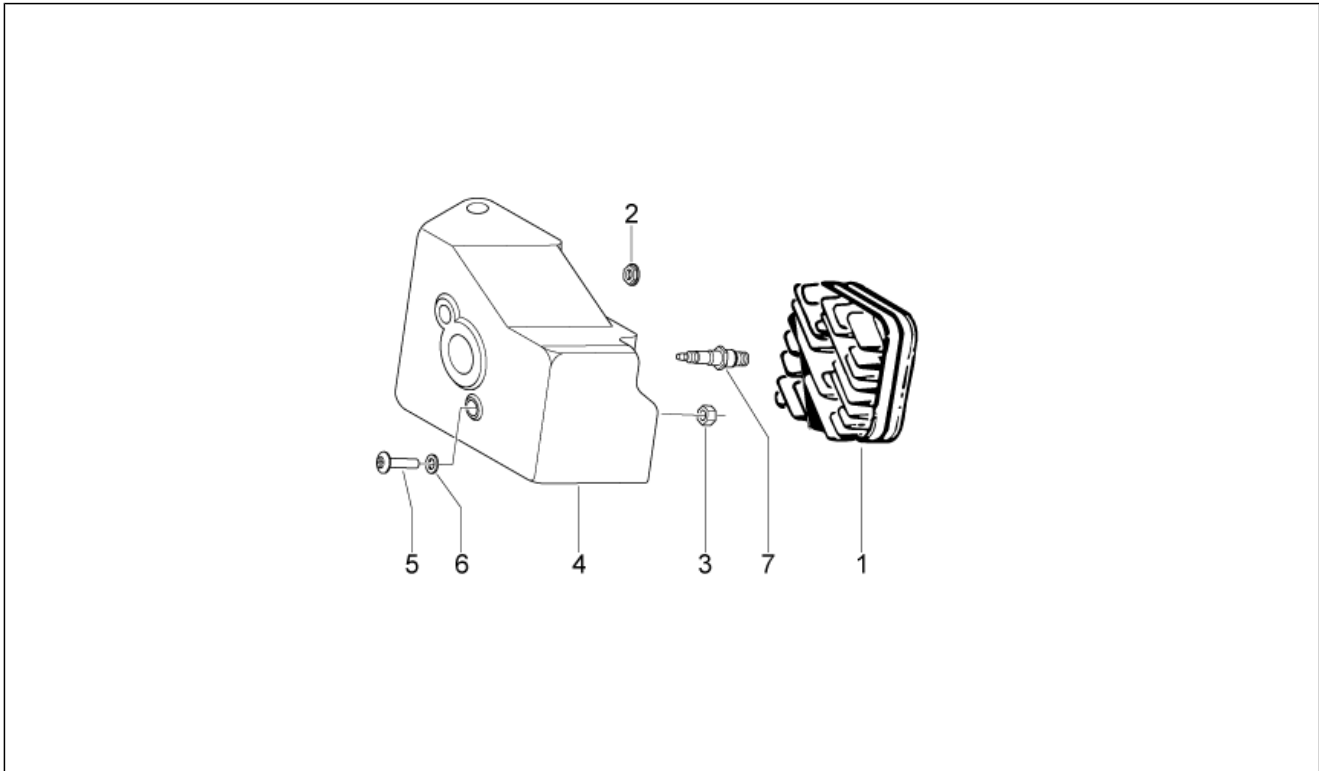
Pos.	Code	Description	Qty	Variants
1	875862	Crankshaft assembly	1	
2	500501	Pin cage 1 cat.	1	
2	500502	Pin cage 2 cat.	1	
2	500503	Pin cage 3 cat.	1	
2	500504	Pin cage 4 cat.	1	
3	482314	Gear side seal ring	1	
4	482315	Flywheel side seal ring	2	
5	431125	Bearing 20x52x12	2	

Group	Engine
Code	01.07
Description	Cylinder-piston-wrist pin unit
Service	1



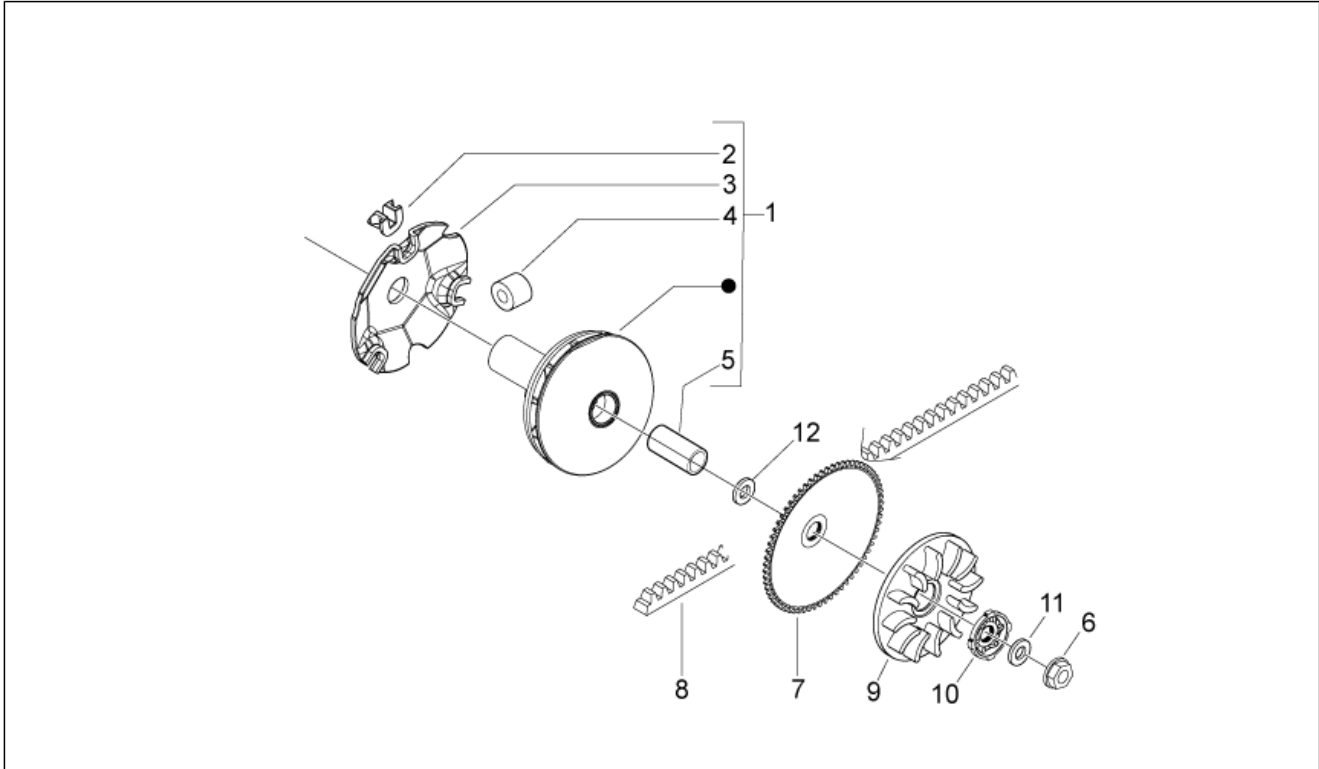
Pos.	Code	Description	Qty	Variants
1	4878020001	Piston assy 1cat.(M)	1	
1	4878020002	Piston assy 2cat.(N)	1	
1	4878020003	Piston assy 3cat.(O)	1	
1	4878020004	Piston assy 4cat.(P)	1	
2	239404	Piston pin	1	
3	239455	Stop ring	2	
4	825416	Gasket ring	2	
4	827853	Gasket ring	2	
4	827854	Gasket ring	2	
5	831116	Cylinder-piston-wrist pin assy.	1	
6	239397	Stud bolt M6	2	
7	286810	Cylinder base gasket	1	

Group	Engine
Code	01.12
Description	Cylinder head cover
Service	1



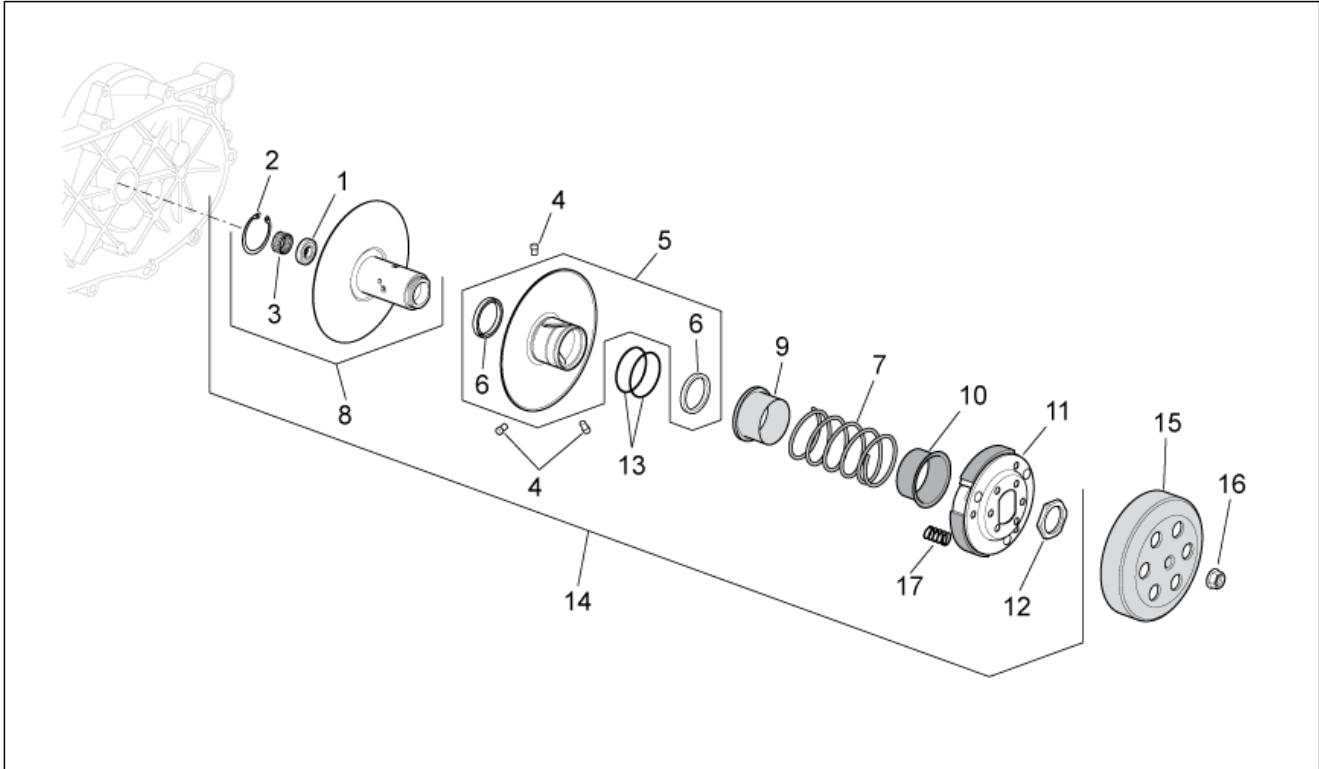
Pos.	Code	Description	Qty	Variants
1	2865344	Cylinder head	1	
2	288245	Self locking nut M6	2	
3	288531	Spacer nut M6	2	
4	845692	Cylinder air shroud	1	
5	008375	screw M6x14	2	
6	078307	Washer	2	
7	438075	Spark plug	1	

Group	Engine
Code	01.13
Description	Driving pulley
Service	1



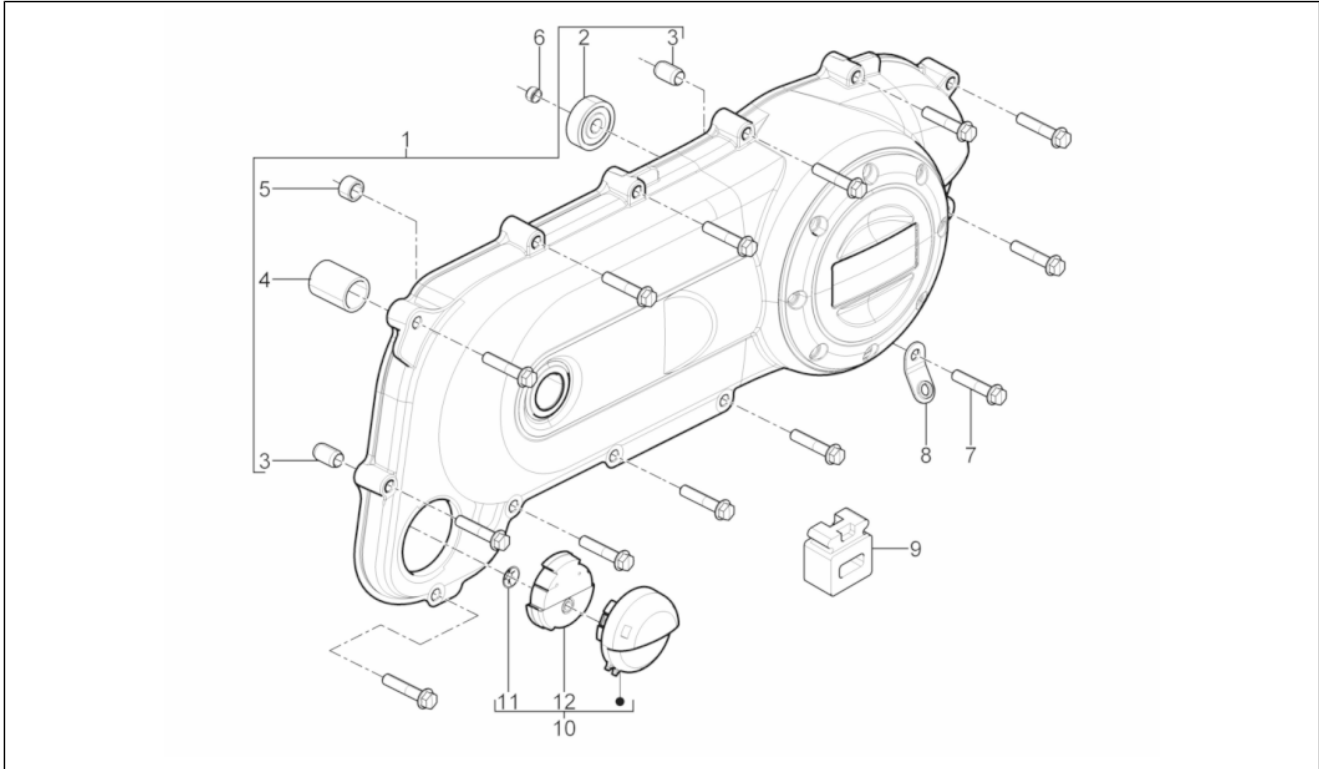
Pos.	Code	Description	Qty	Variants
1	CM110302	Half-pulley assy., driving	1	
2	289931	Sliding block	3	
3	480227	Roller contrast	1	
4	CM1102015	6 rollers kit	1	
5	480230	Spacer	1	
6	289519	Flanged nut M10x1,25	2	
7	479561	Fixed driving half pulley	1	
8	82712R	V-belt	1	
9	845611	Fan	1	
10	877075	Teethed bush	1	
11	265300	Washer	1	
12	CM100615	Spacer	1	

Group	Engine
Code	01.14
Description	Driven pulley
Service	1



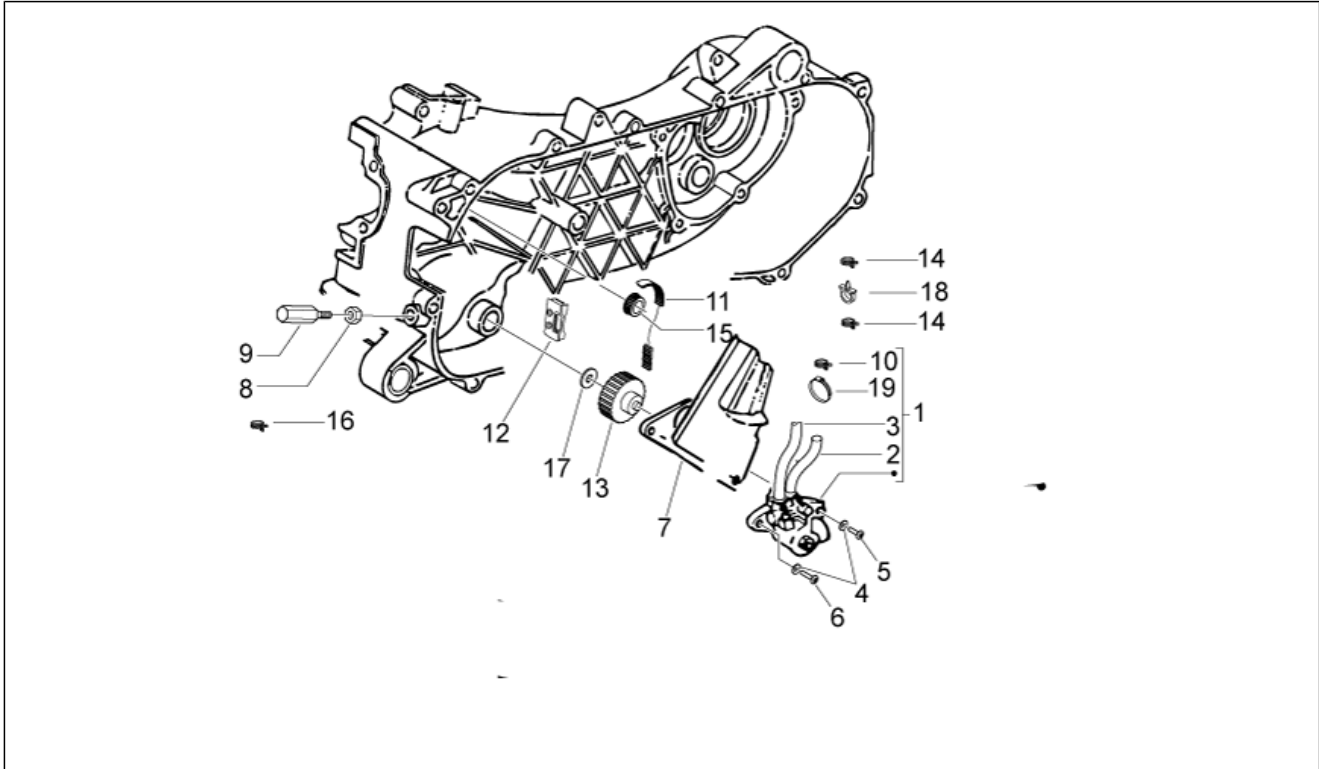
Pos.	Code	Description	Qty	Variants
1	82655R	Ball bearing	1	
2	006624	Ring	1	
3	289952	Roller cage	1	
4	482766	Pin	3	
5	827893	Complete movable secondary pulley	1	
6	289950	Gasket ring	2	
7	478028	Variator spring	1	
8	4795526	Complete fixed secondary pulley	1	
9	483443	Pulley side cap	1	
10	487935	Clutch side cap	1	
11	CM1002025	Centrifugal clutch assembly	1	
12	289955	Ring nut	1	
13	289840	Gasket	2	
14	CM100107	Complete secondary pulley	1	
15	289933	Clutch drum	1	
16	289519	Flanged nut M10x1,25	1	
17	289945	Clutch spring	3	

Group	Engine
Code	01.15
Description	Crankcase cover - Crankcase cooling
Service	1



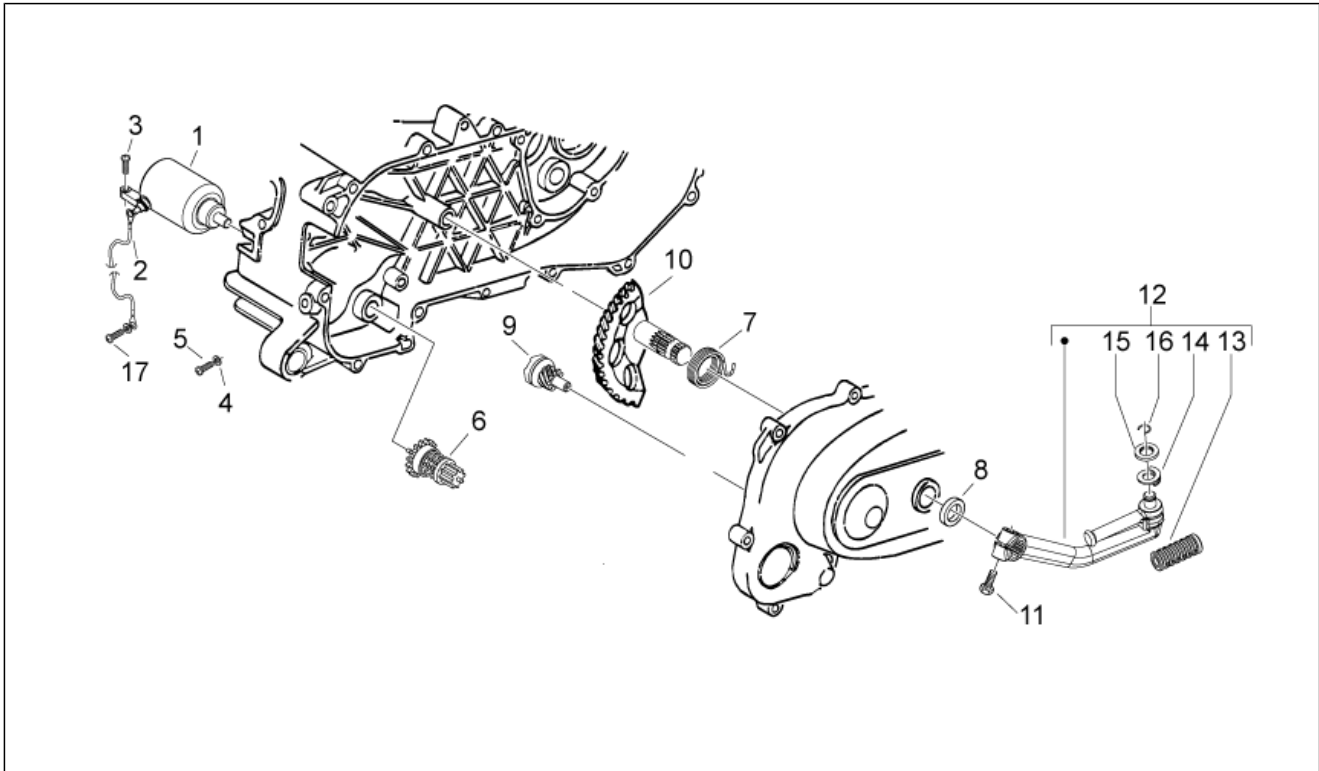
Pos.	Code	Description	Qty	Variants
1	8721985	Transmission cover	1	
2	82521R	Bearing	1	
3	239388	Pin 6,5x9,5x15	2	
4	431860	Bush Ø8xØ12x8	1	
5	286209	Bush	1	
6	478197	Compensator ring	1	
7	414838	screw M6x35	13	
8	844964	Hose clamp	1	
9	259625	Pad	1	
10	848860	s.a.s. Cover with filter	1	
11	181351	Spring plate	1	
12	826462	Filter	1	

Group	Engine
Code	01.18
Description	Oil pump
Service	1



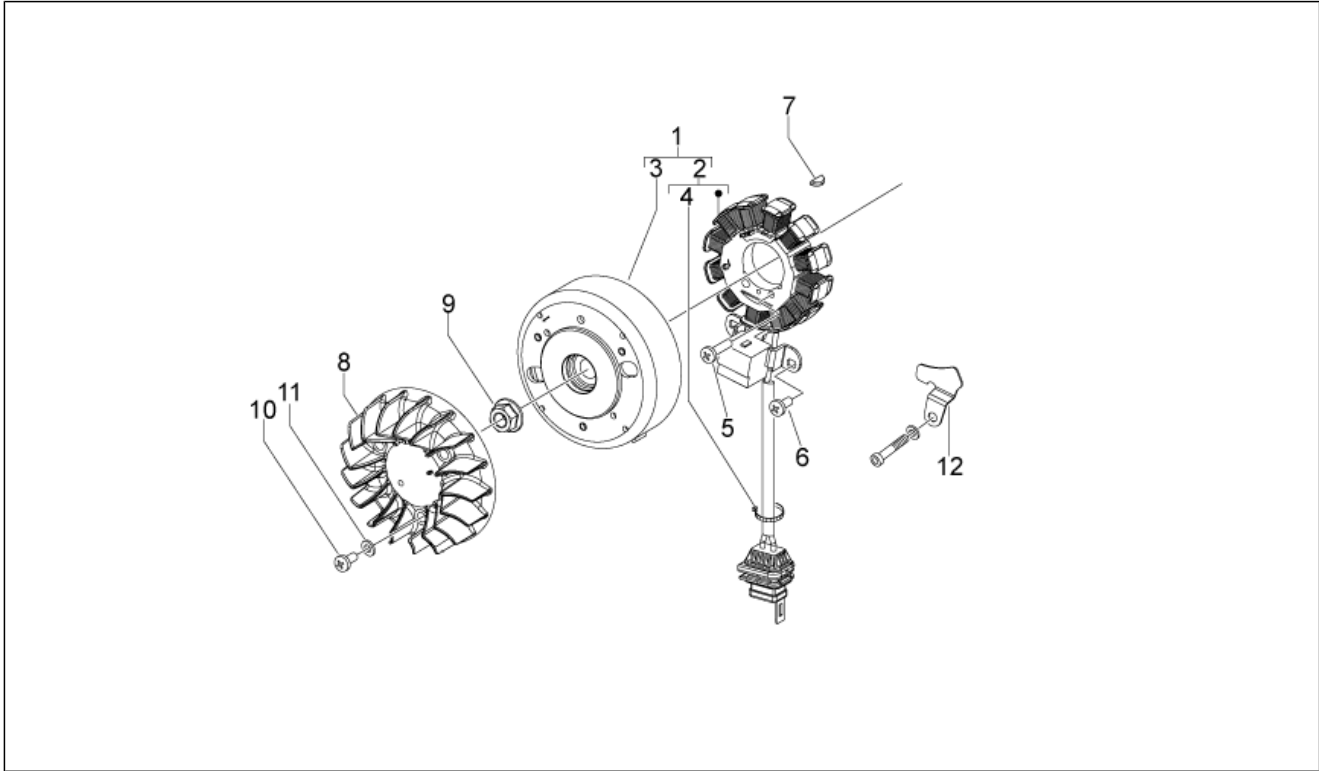
Pos.	Code	Description	Qty	Variants
1	82652R	Oil pump assembly	1	
2	CM101509	Oil inlet pipe	2	
3	CM101605	Oil outlet pipe	3	
4	006975	Washer $\varnothing 5,3 \times \varnothing 10 \times 0,5$	2	
5	015585	Self-tapping screw M5x12	1	
6	015856	screw M5x21	1	
7	286163	plate	1	
8	020106	Nut M6	1	
9	146197	Adjuster screw	1	
10	289309	Hose clamp	1	
11	286162	Toothed belt	1	
12	287021	Fairlead	1	
13	289191	Oil pump gear	1	
14	486149	Hose clamp	3	
15	286158	Toothed pulley	1	
16	231590	Elastic spring	1	
17	287073	Shim washer	1	
18	480866	Fairlead	1	
19	288327	Hose clamp	2	

Group	Engine
Code	01.20
Description	Stater - Electric starter
Service	1



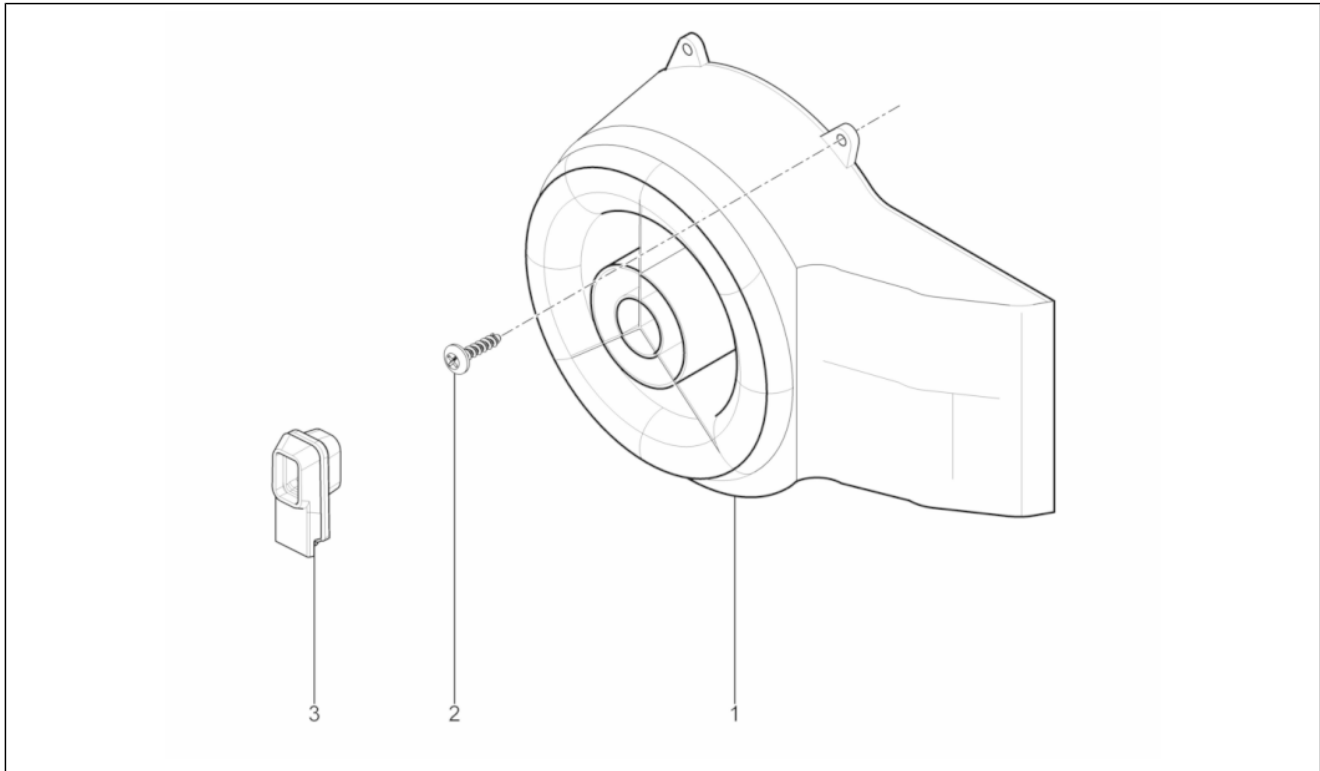
Pos.	Code	Description	Qty	Variants
1	82530R	Starter motor	1	
2	890975	Relay-starter motor cable	1	
3	018639	Hex screw M6x20	1	
4	016404	Flat washer 4,2x7,6x0,9	1	
5	018644	screw	1	
6	82531R	Starter motor gear	1	
7	289495	Starter lever return spring	1	
8	433987	Washer 16,3x23,8	1	
9	483537	Pinion starter	1	
10	831458	Starting shaft	1	
11	414837	Screw w/ flange M6x25	1	
12	286214	Starter lever	1	
13	286217	Guard	1	
14	286218	Spring	1	
15	286219	Washer 10,1x2,5	1	
16	288041	Ring	1	
17	145298	Lock-strap L=180mm	1	

Group	Engine
Code	01.21
Description	Flywheel magneto
Service	1



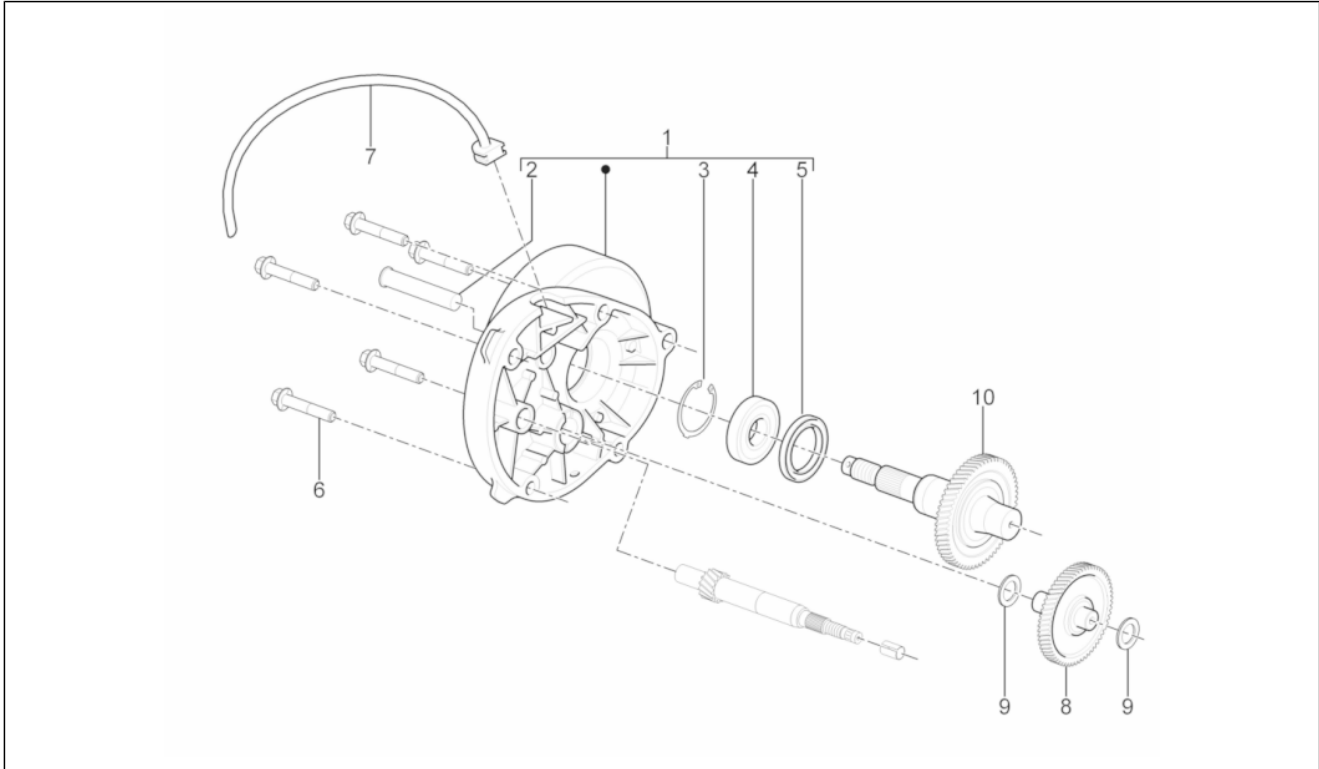
Pos.	Code	Description	Qty	Variants
1	58136R	Complete magneto flywheel	1	
2	639865	Complete stator (Kokusan)	1	
3	584526	Complete rotor (Kokusan)	1	
4	257134	Lock-strap L=277	1	
5	015856	screw M5x21	3	
6	873979	Screw M5x14	2	
7	000267	Transmission key	1	
8	828765	Fan	1	
9	289005	Flanged nut	1	
10	015585	Self-tapping screw M5x12	3	
11	006975	Washer Ø5,3xØ10x0,5	3	
12	827847	Maintenance	1	

Group	Engine
Code	01.23
Description	Flywheel magneto cover - Oil filter
Service	1



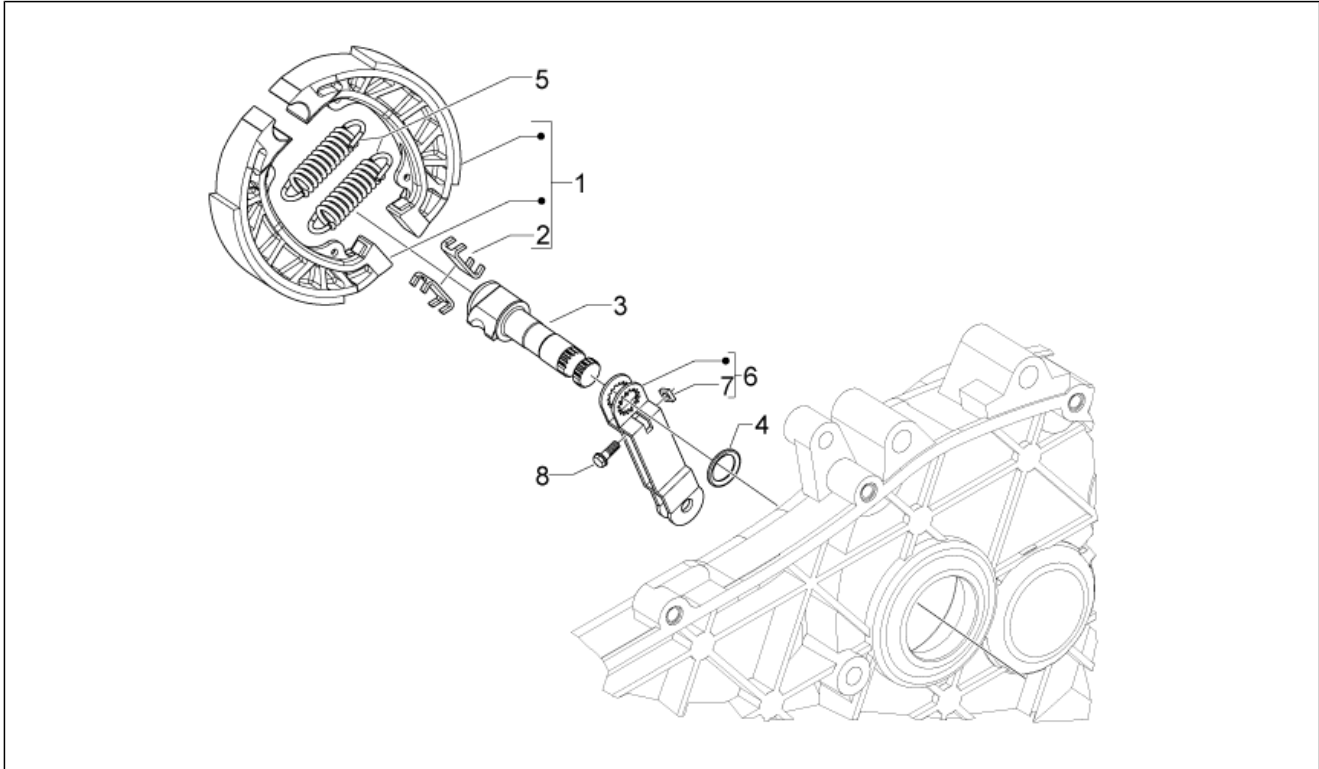
Pos.	Code	Description	Qty	Variants
1	833817	Scroll cover	1	
2	015856	screw M5x21	2	
3	827425	Fairlead	1	

Group	Engine
Code	01.25
Description	Reduction unit
Service	1



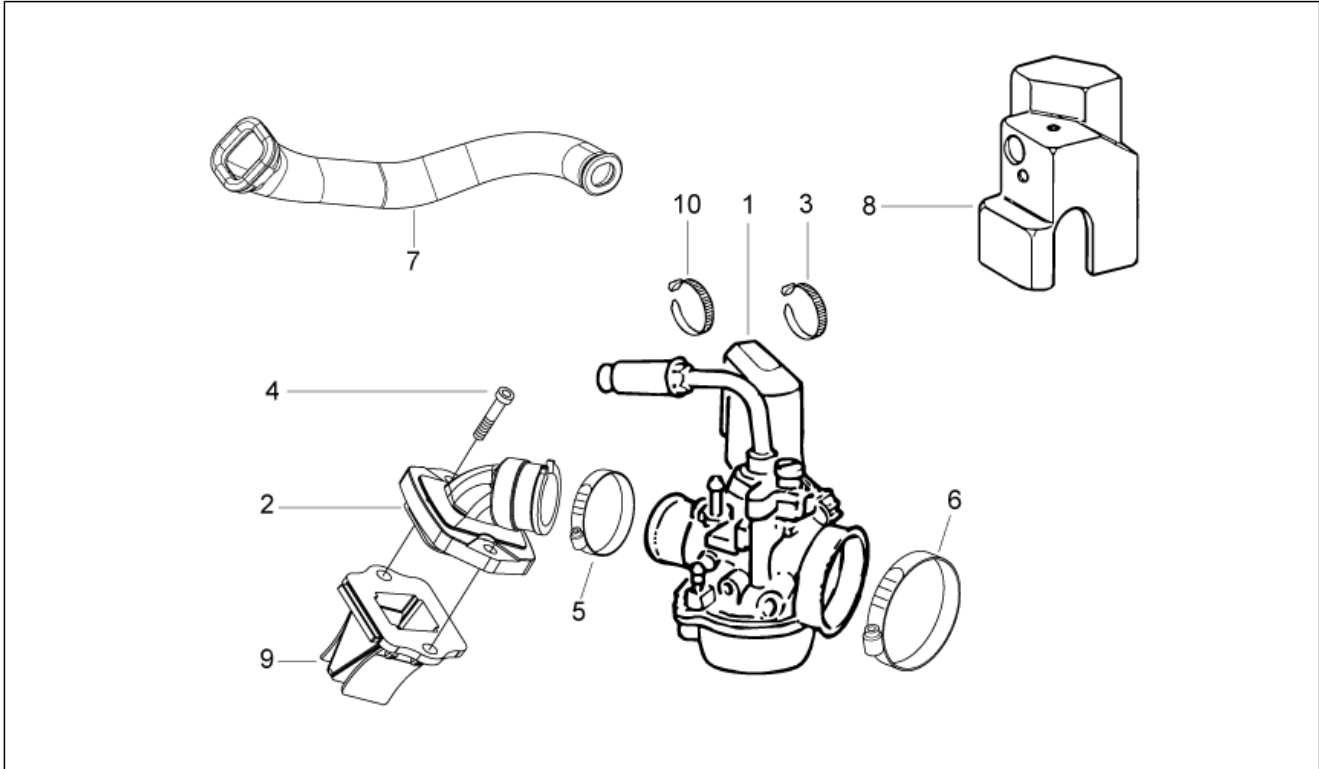
Pos.	Code	Description	Qty	Variants
1	B0146385	Side cover	1	
2	272921	Shoe fulcrum pin	1	
3	006647	Circlip	1	
4	434735	Bearing 20x47x14	1	
5	478498	Gasket ring	1	
6	487211	Screw w/ flange M8x45	5	
7	CM162201	Reduction unit breather pipe assembly	1	
8	8278045	Transmission shaft	1	
9	288639	Shim washer	2	
10	8337855	Rear wheel axle	1	

Group	Engine
Code	01.35
Description	Rear brake - Brake jaw
Service	1



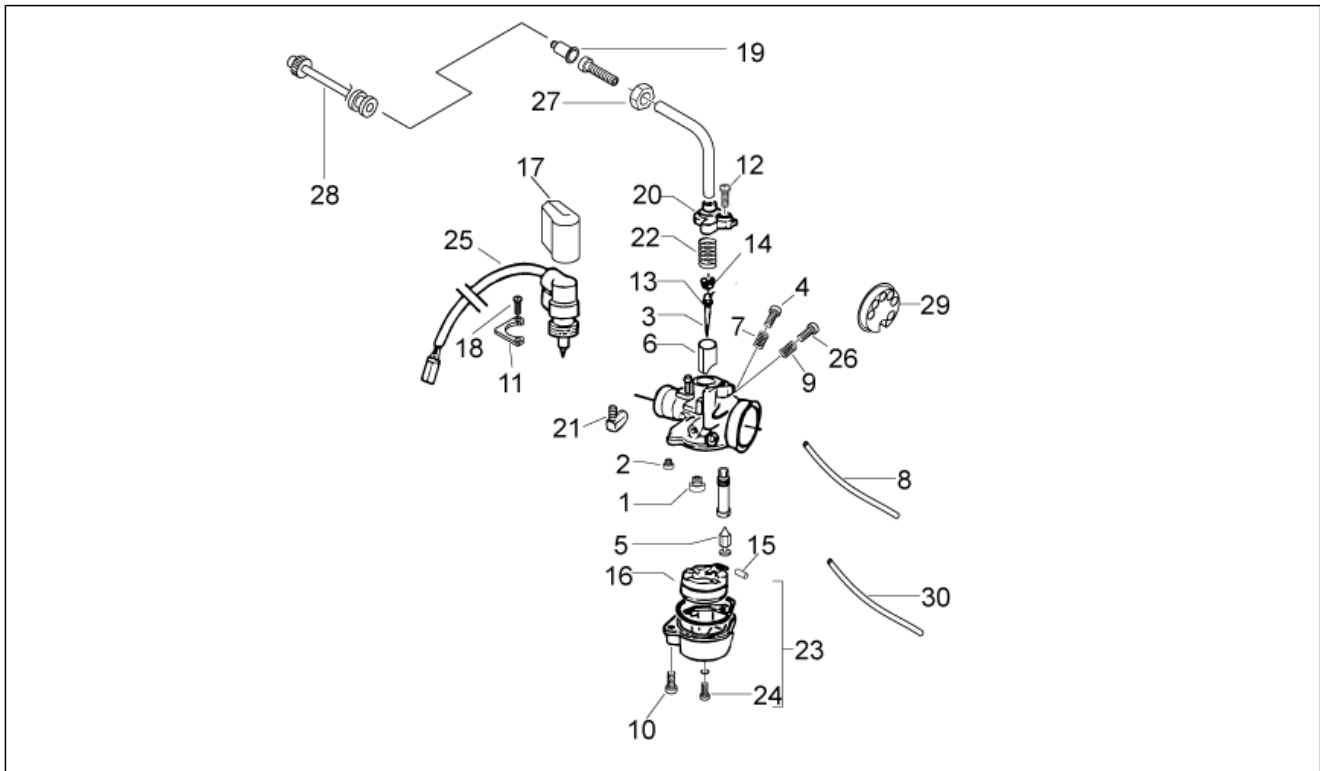
Pos.	Code	Description	Qty	Variants
1	56293R	Pair of brake shoes	1	
2	266724	Plate	2	
3	274245	Brake lever shaft	1	
4	273419	Gasket ring	1	
5	647384	Brake shoes return spring	2	
6	833428	Rear brake lever	1	
7	828862	Square nut	1	
8	828863	Screw w/ flange	1	

Group	Engine
Code	01.39
Description	Carburettor, assembly - Union pipe
Service	1



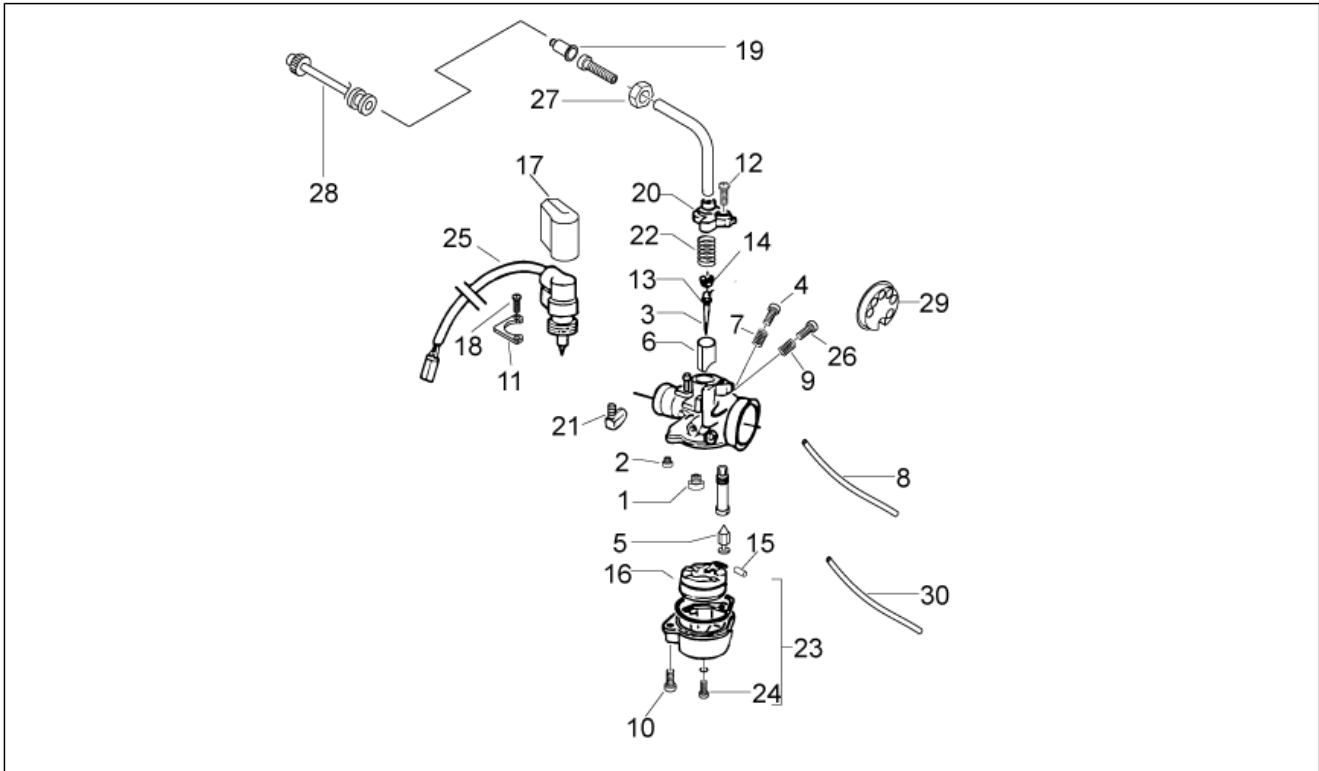
Pos.	Code	Description	Qty	Variants
1	876642	Carburettor PHVA17,5 RD (8479)	1	
2	830939	Intake manifold	1	
3	842202	Hose clamp	1	
4	830487	screw M6x25	2	
5	CM002904	Hose clamp	1	
6	CM002901	Hose clamp	1	
7	832186	Hood for carburettor	1	
8	488129	Air duct	1	
9	82774R	Reeds bracket	1	
10	216983	Hose clamp	1	

Group	Engine
Code	01.40
Description	Carburetor's components
Service	1



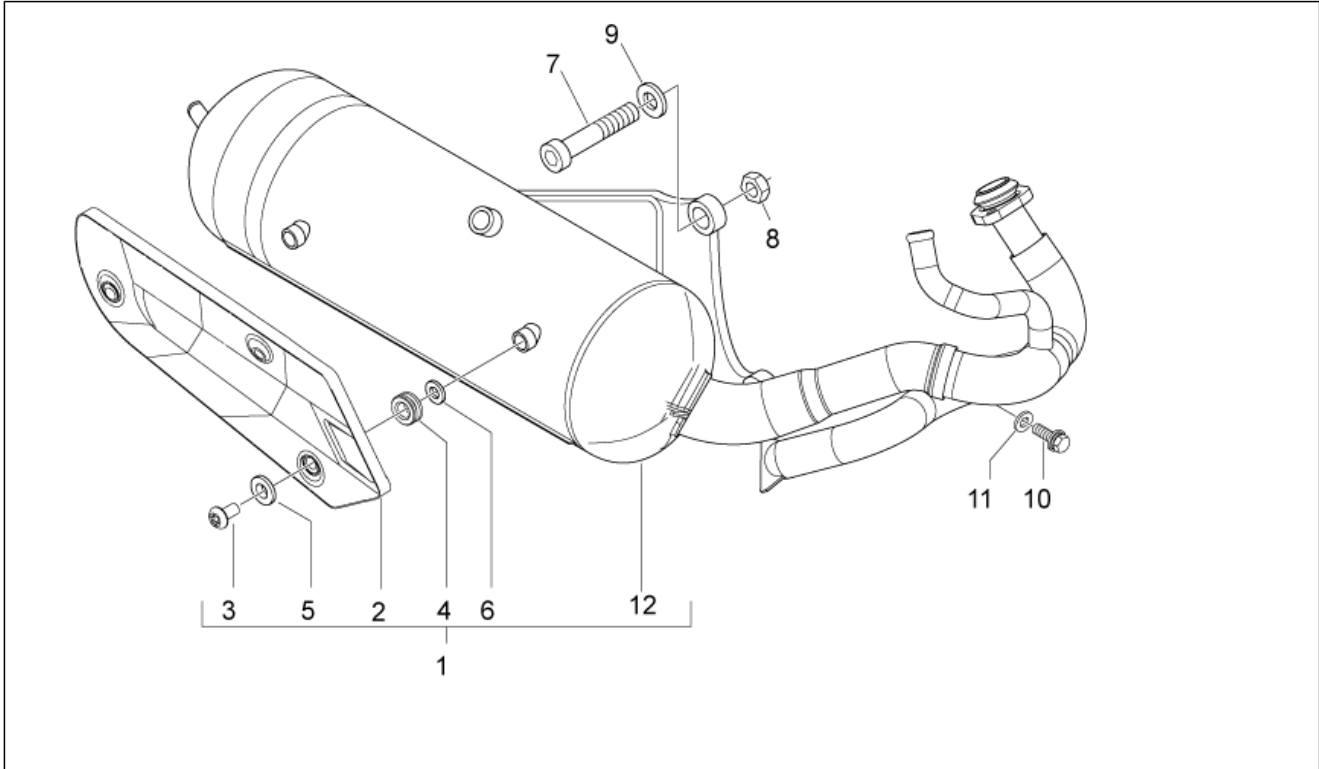
Pos.	Code	Description	Qty	Variants
1	CM101704	Main jet 53	1	
2	CM102103	Idle jet	1	
3	CM107510	Conical pin	1	
4	CM107701	Air adjuster screw	1	
5	CM128501	Fuel closing needle	1	
6	CM141710	Gas valve	1	
7	085285	Spring	1	
8	113903	Baffle tube	1	
9	152608	Spring	1	
10	288862	Float chamber fixing screw	2	
11	288863	Plate	1	
12	288865	screw	1	
13	288872	Ring	1	
14	288873	Conical pin clip	1	
15	288881	Float pin	1	
16	288882	Float	1	
17	485671	Guard	1	
18	289575	screw	2	
19	875551	Cap	1	
20	431654	Gas valve cover	1	
21	436206	Complete oil valve	1	
22	482942	Gas valve spring	1	
23	484704	Complete reservoir	1	
24	432456	screw	1	
25	CM105905	Starter	1	
26	828074	Gas valve adjuster screw	1	
27	120074	Nut	1	
28	890302	Gas lever transmission	1	

Group	Engine
Code	01.40
Description	Carburetor's components
Service	1



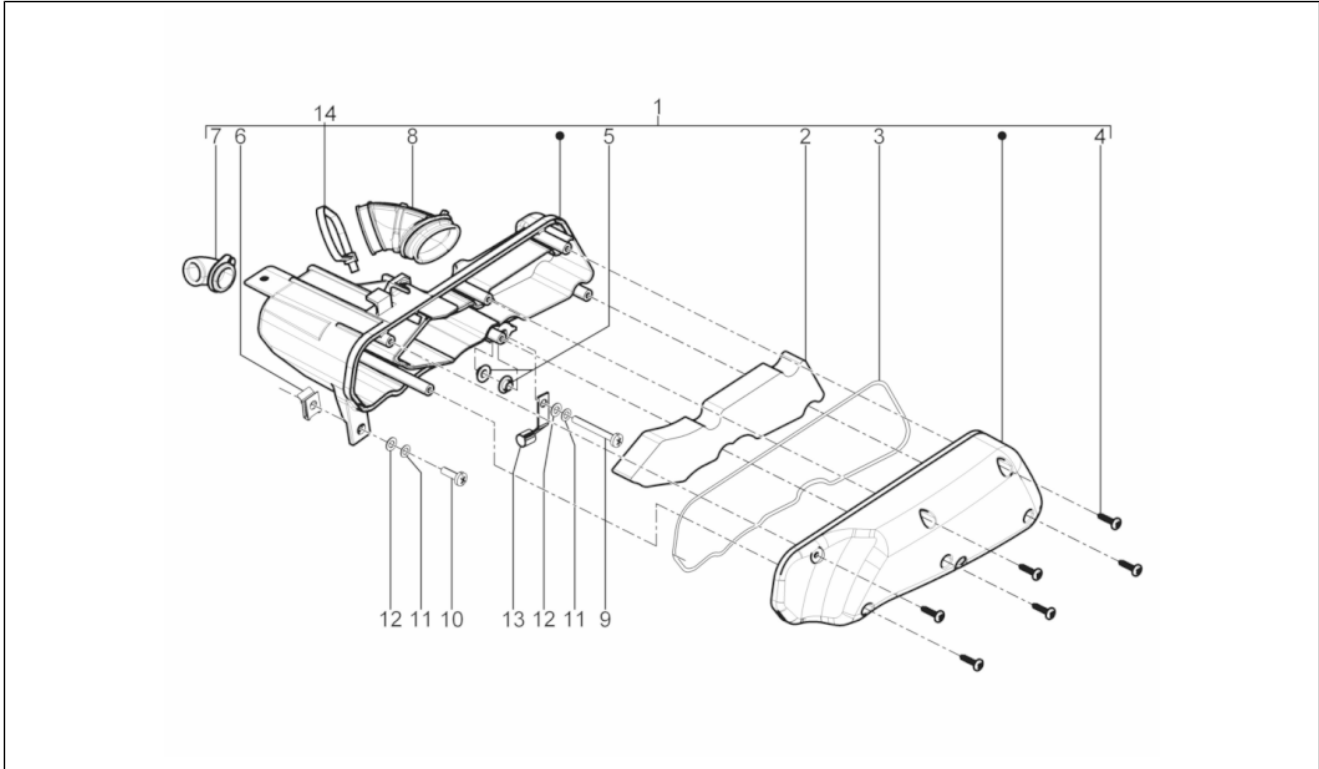
Pos.	Code	Description	Qty	Variants
29	827892	Air gauger	1	
30	CM112001	Float chamber dump pipe L=130	1	

Group	Engine
Code	01.42
Description	Silencer
Service	1



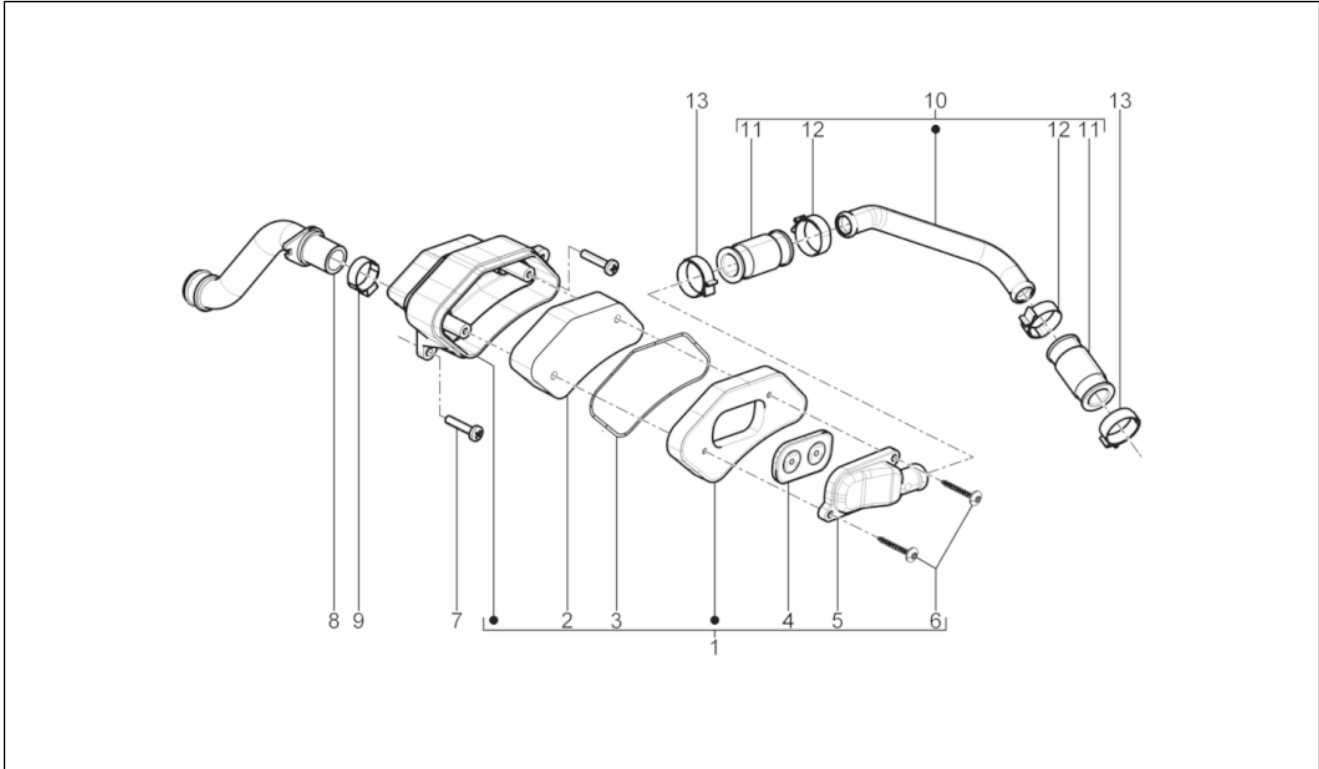
Pos.	Code	Description	Qty	Variants
1	890664	Exhaust pipe, cpl.	1	
2	830325	Protection	1	
3	651014	Hex socket screw M5x10	3	
4	487665	Fairlead	3	
5	827526	Flat washer	3	
6	826117	Spacer	3	
7	845590	Hex socket screw	2	
8	288245	Self locking nut M6	2	
9	834187	Spring washer 16x8,2x2,2	2	
10	433122	Screw w/ flange M10	1	
11	016195	Washer $\varnothing 10.2 \times \varnothing 15 \times 2$	1	
12	890665	muffler without protection	1	

Group	Engine
Code	01.45
Description	Air filter
Service	1



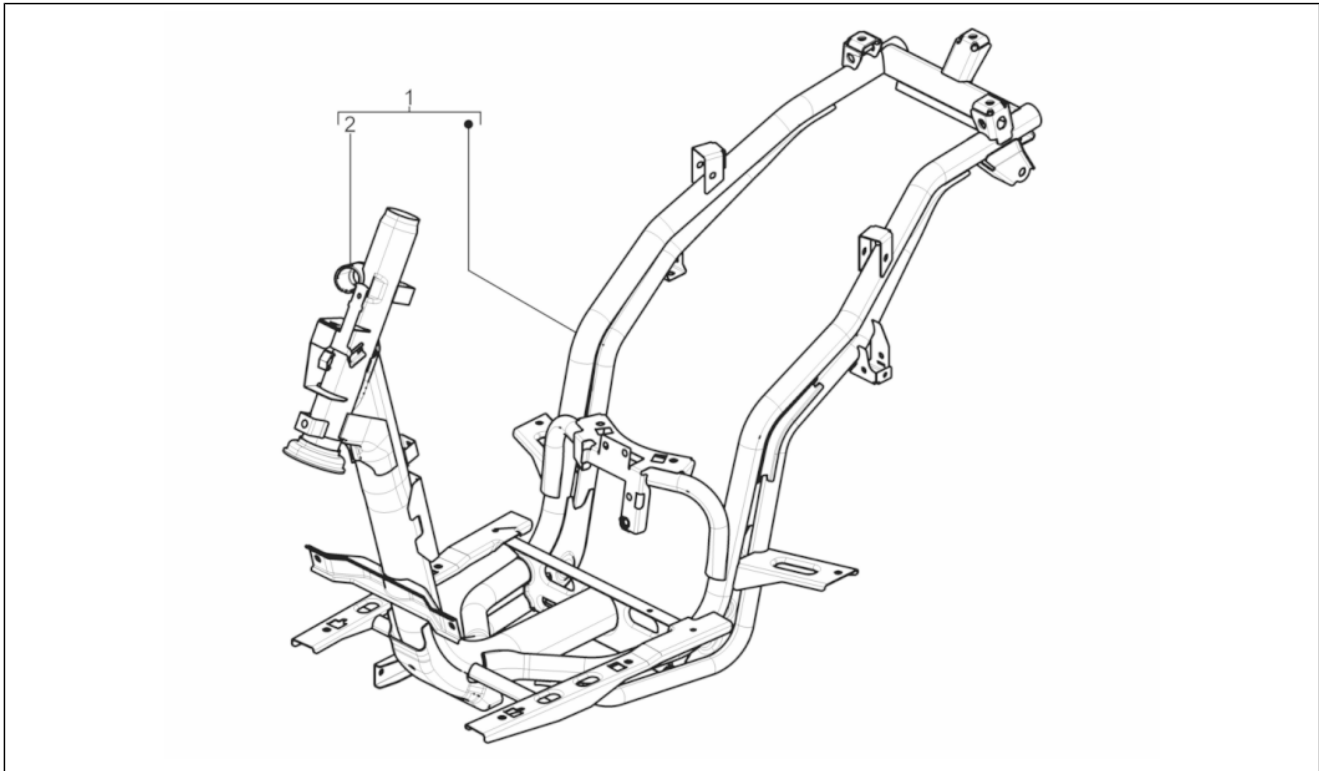
Pos.	Code	Description	Qty	Variants
1	B013227	Complete air cleaner box	1	
2	487719	Air filter	1	
3	487718	Gasket	1	
4	258146	Self-tap screw M3x20	6	
5	830056	Knurled bushing	2	
6	254485	Spring plate M6	1	
7	840159	Hose	1	
8	487592	Carburettor-air box hose	1	
9	015759	Screw M6x20	1	
10	018640	Special cap screw M6x50	1	
11	012533	Notched washer 6,6x11x0	2	
12	003056	Flat washer 6,4x12x1	2	
13	581767	Support clamp	1	
14	257134	Lock-strap L=277	1	

Group	Engine
Code	01.46
Description	Secondary air box
Service	1



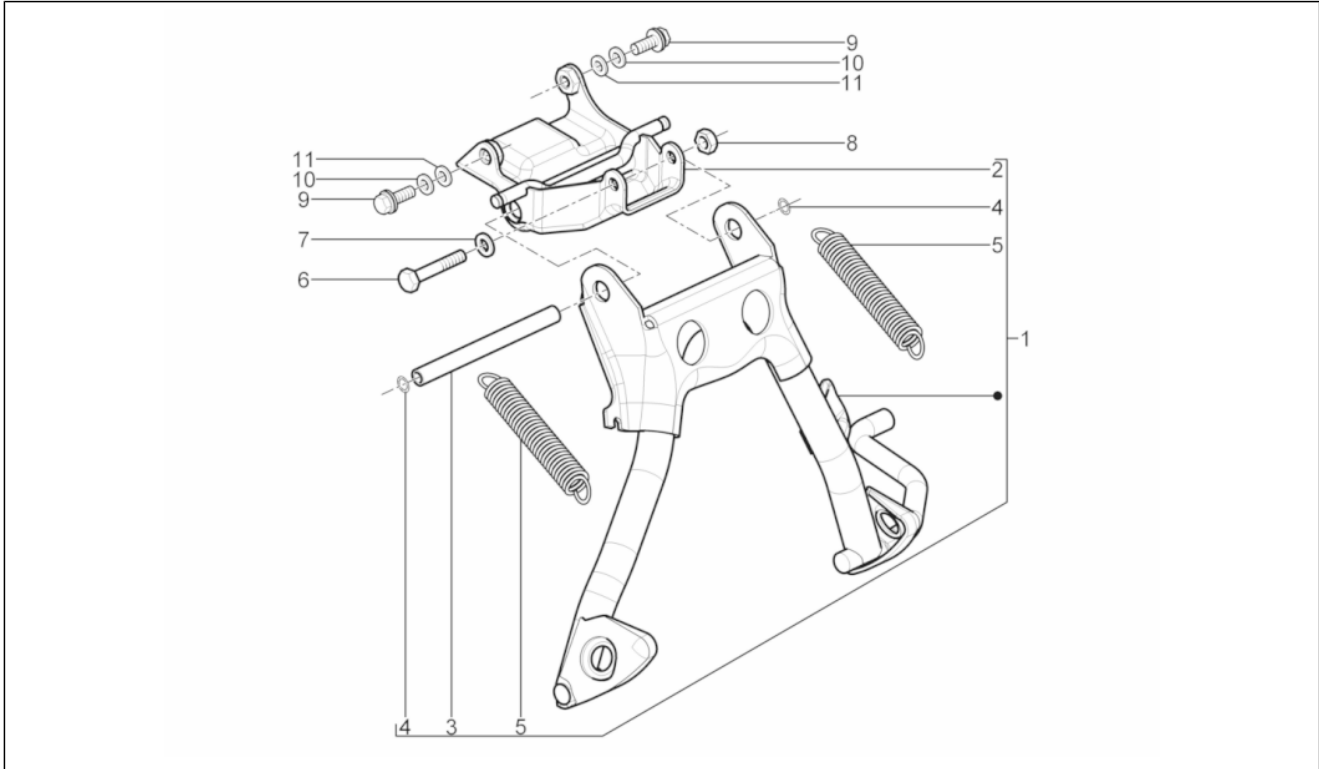
Pos.	Code	Description	Qty	Variants
1	8318594	Complete s.a.s. box kit	1	
2	486942	Filter sas	1	
3	486943	Gasket	1	
4	82758R	Diaphragm	1	
5	827209	Cover sas	1	
6	478533	Self-tap screw	2	
7	015597	TBIC screw	2	
8	827208	Intake pipe sas	1	
9	CM001905	Hose clamp	1	
10	833740	Air pipe sas	1	
11	827443	Hose	2	
12	827444	Hose clamp	2	
13	827444	Hose clamp	2	

Group	Frame - Plastic parts - Coachwork
Code	02.01
Description	Frame/bodywork
Service	1



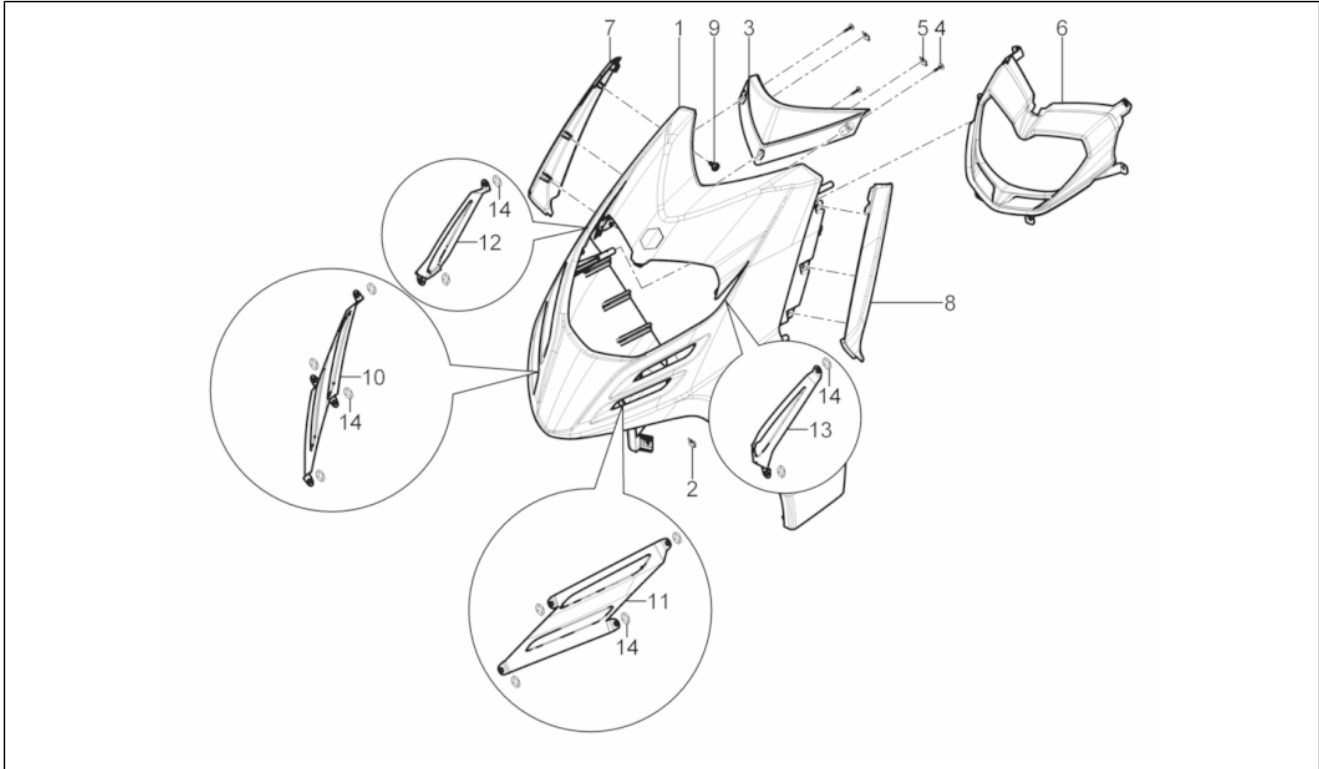
Pos.	Code	Description	Qty	Variants
1	672750	Frame with u.p.	1	
2	298604	Lock support	1	

Group	Frame - Plastic parts - Coachwork
Code	02.25
Description	Stand/s
Service	1



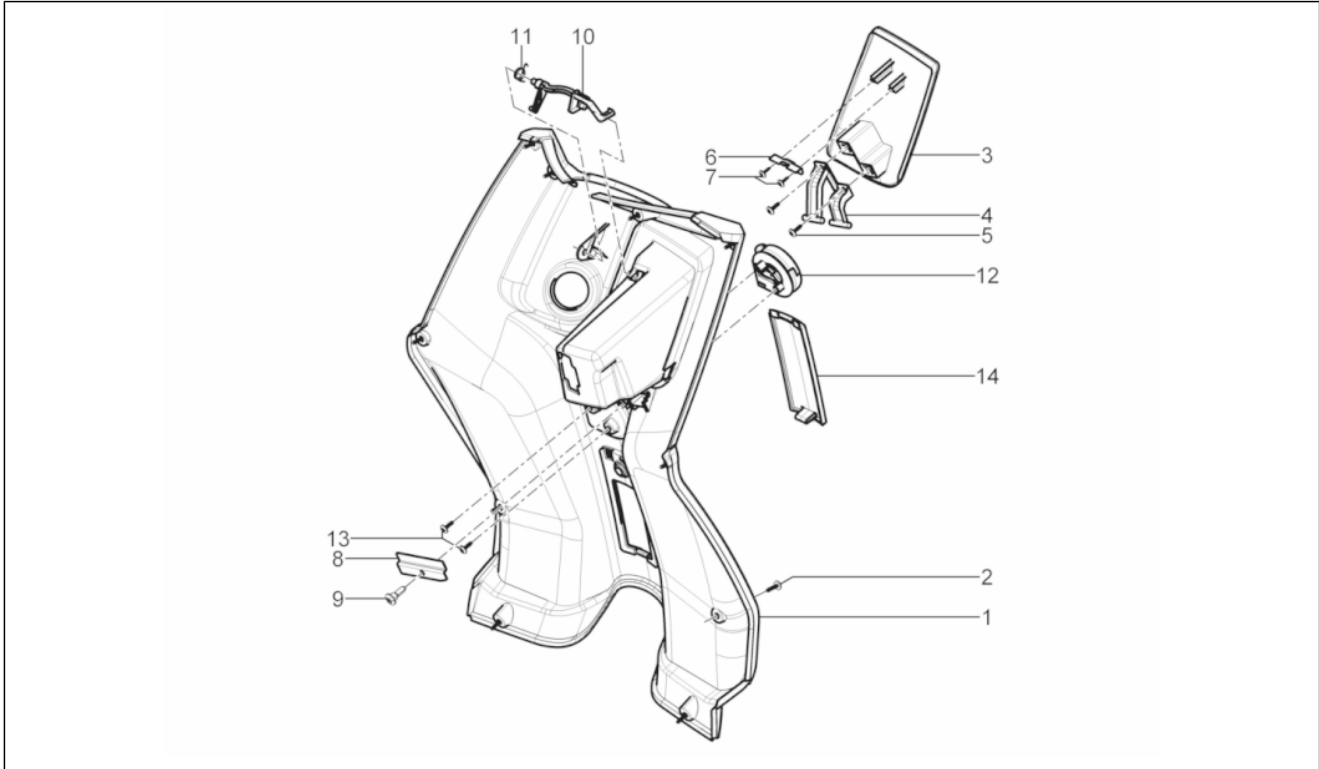
Pos.	Code	Description	Qty	Variants
1	666302	Complete centre stand	1	
2	272929	Maintenance	1	
3	583603	Pin	1	
4	271695	Gasket ring	2	
5	278940	Spring	2	
6	030080	screw	1	
7	016408	Spring washer 13,75x8,15x4,5	1	
8	020108	Nut M8x6,5	1	
9	030072	screw M8x35	2	
10	013861	Plain washer 8,2x20x2,5	2	
11	016408	Spring washer 13,75x8,15x4,5	2	

Group	Frame - Plastic parts - Coachwork
Code	02.26
Description	Front shield
Service	1



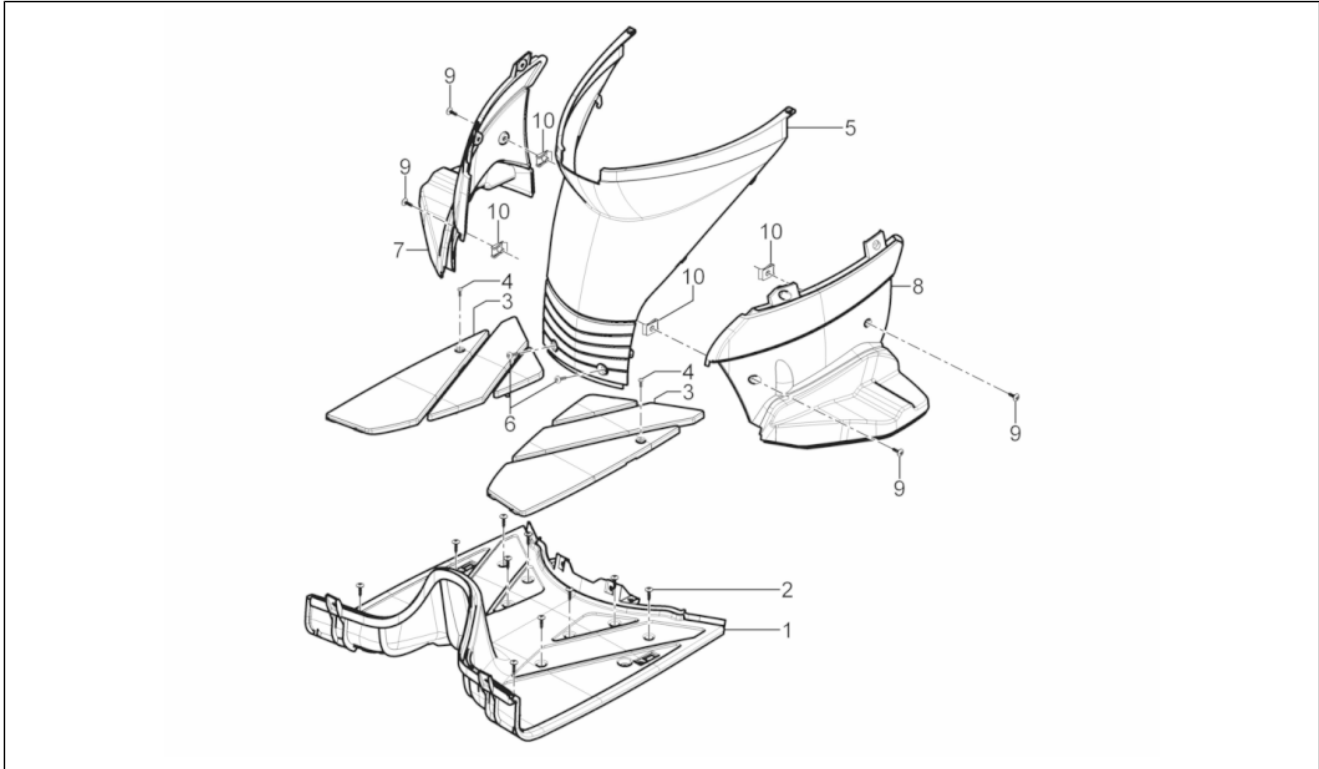
Pos.	Code	Description	Qty	Variants
1	6574610087	Front shield	1	Vehicle colour:White[white]
1	6574610090	Front shield	1	Vehicle colour:BLACK[black]
1	65746100AO	Front shield	1	Vehicle colour:Orange[orange]
1	65746100EZ	Front shield	1	Year:2014[D] Vehicle colour:Grey[Gray]
2	184142	Spring plate	6	
3	85643600XH1	Upper shield lockup,grey Pha	1	
4	270723	Self tapping screw	3	
5	184142	Spring plate	2	
6	65746800XH1	Front headlight surround	1	
7	65746300XH1	Deflector r.h.	1	
8	65746200XH1	Deflector l.h.	1	
9	297498	Self tapping screw M3,5x13	6	
10	664307	Right lower shield metallic retina	1	
11	664309	Left lower shield metallic retina	1	
12	664306	Right upper shield metallic retina	1	
13	664308	Left upper shield metallic retina	1	
14	664454	Washer	12	

Group	Frame - Plastic parts - Coachwork
Code	02.30
Description	Front glove-box - Knee-guard panel
Service	1



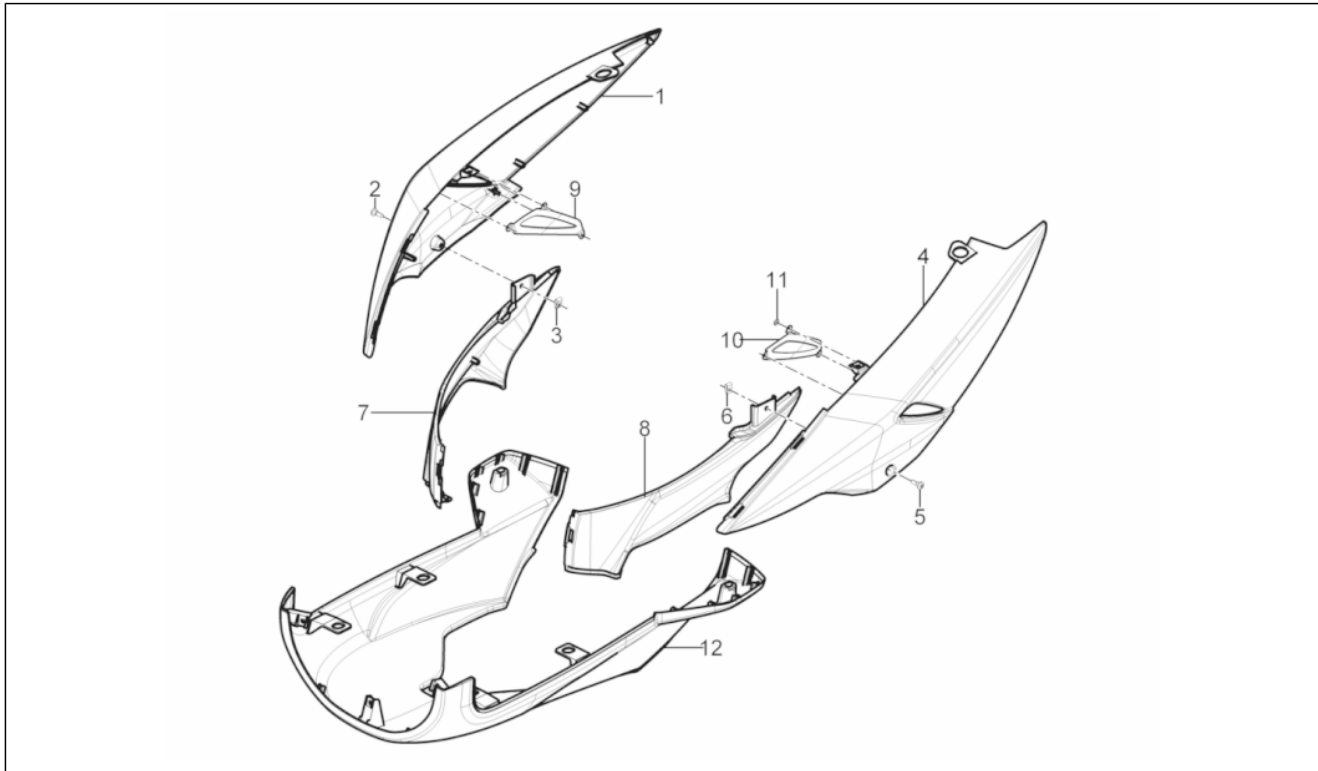
Pos.	Code	Description	Qty	Variants
1	85643300XH1	Internal shield, grey	1	
2	270723	Self tapping screw	10	
3	85647100XH1	Glove comp.door, grey	1	
4	856472	Hinge	1	
5	259349	Screw M4,2x13	2	
6	252420	Square	1	
7	297498	Self tapping screw M3,5x13	2	
8	856473	Plate	1	
9	575249	Screw with shank M6	1	
10	856437	Lockup hook door	1	
11	257617	Spring	1	
12	575819	Bag holder hook	1	
13	259349	Screw M4,2x13	2	
14	85647400XH1	Chassis number inspection cover	1	

Group	Frame - Plastic parts - Coachwork
Code	02.31
Description	Central cover - Footrests
Service	1



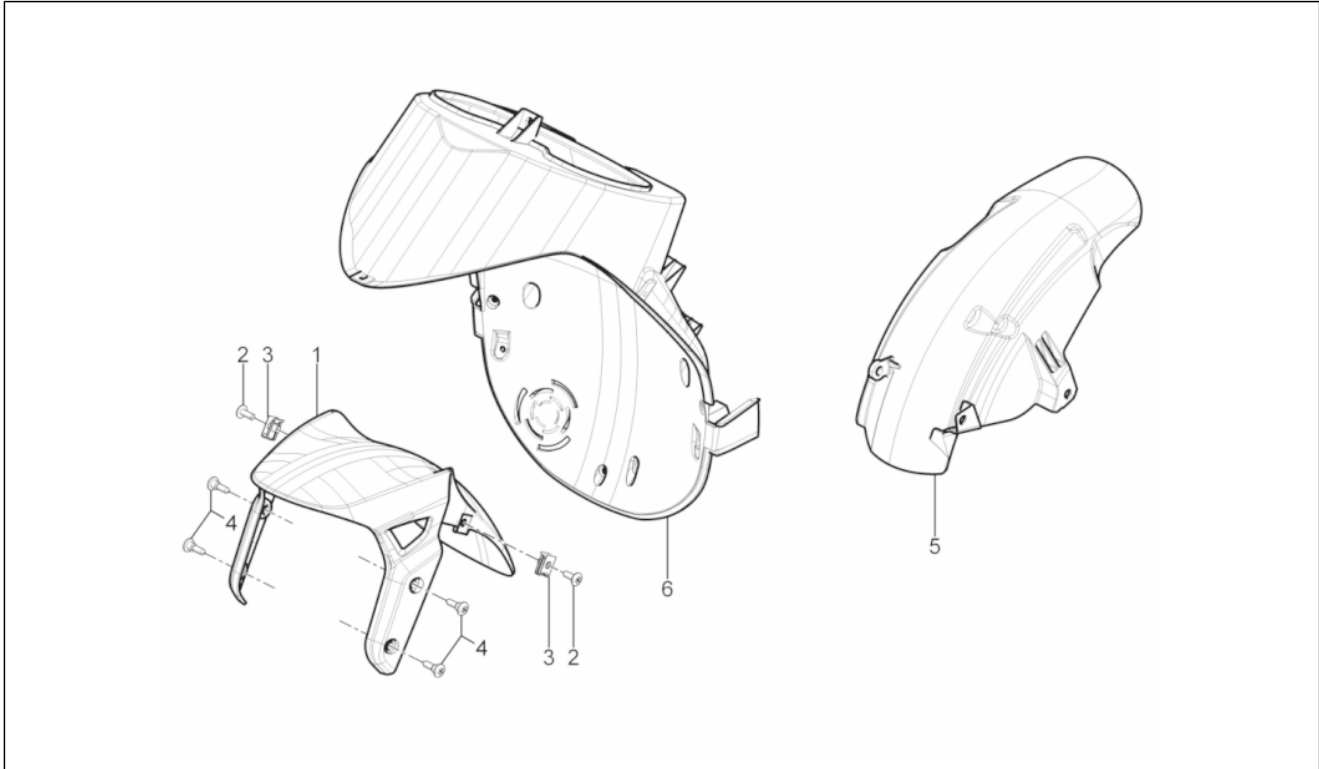
Pos.	Code	Description	Qty	Variants
1	85306100XH1	Footrest	1	
2	270793	TBCIC Screw 3,8x16	10	
3	85824300XH1	Carpets kit grey	1	
4	268596	Self tapping screw D4x13	2	
5	85643100XH1	Upper shield lockup, grey Pha	1	
6	270723	Self tapping screw	2	
7	85645000XH1	RH rear footrest, grey	1	
8	85645100XH1	LH rear footrest, grey	1	
9	259349	Screw M4,2x13	4	
10	254485	Spring plate M6	4	

Group	Frame - Plastic parts - Coachwork
Code	02.32
Description	Side cover - Spoiler
Service	1



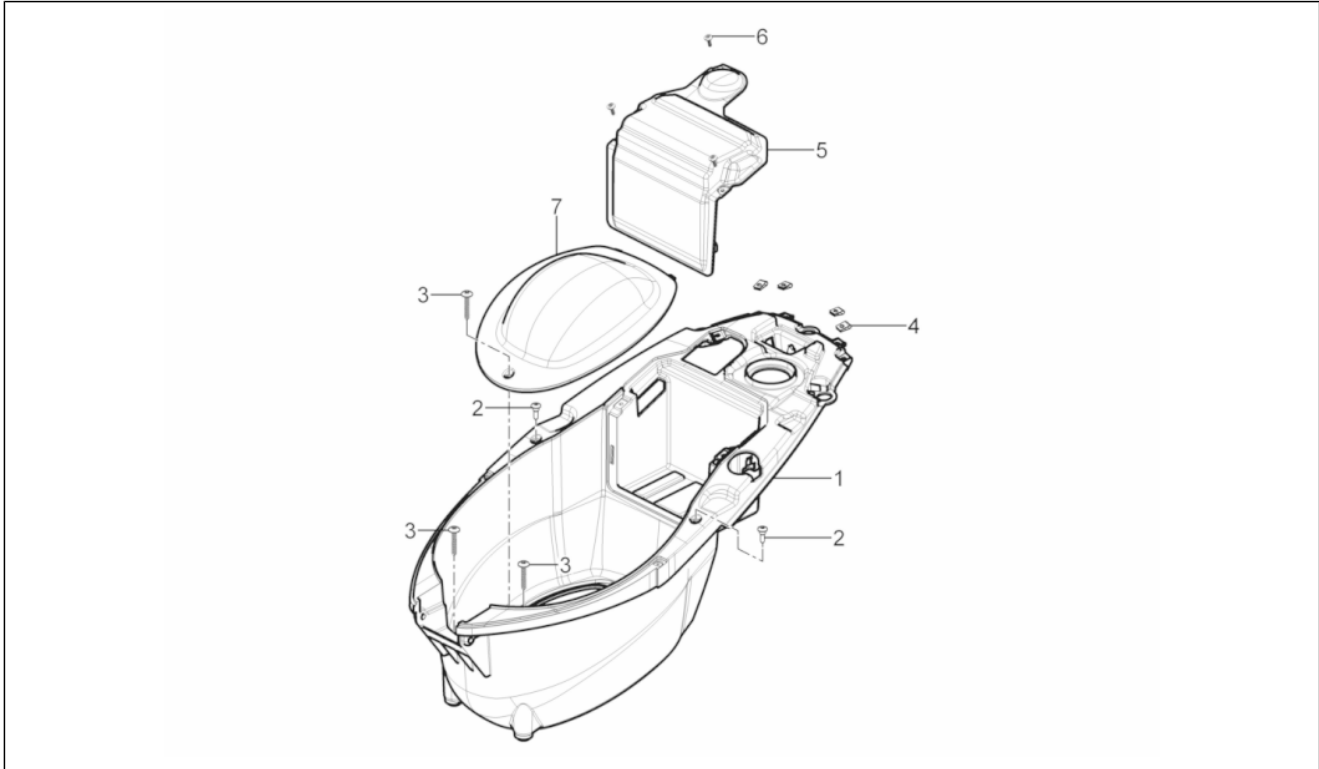
Pos.	Code	Description	Qty	Variants
1	6574670087	Fairing,rh.	1	Vehicle colour:White[white]
1	6574670090	Fairing,rh.	1	Vehicle colour:BLACK[black]
1	65746700AO	Fairing,rh.	1	Vehicle colour:Orange[orange]
1	65746700EZ	Fairing,rh.	1	Vehicle colour:Grey[Gray]
2	860536	Hex socket screw	1	
3	184142	Spring plate	1	
4	6574660087	Fairing,lh.	1	Vehicle colour:White[white]
4	6574660090	Fairing,lh.	1	Vehicle colour:BLACK[black]
4	65746600AO	Fairing,lh.	1	Vehicle colour:Orange[orange]
4	65746600EZ	Fairing,lh.	1	Vehicle colour:Grey[Gray]
5	860536	Hex socket screw	1	
6	184142	Spring plate	1	
7	85645200XH1	RH Covers,gray Phantom	1	
8	85645300XH1	Left closing Phantom Grey	1	
9	664303	Right side metallic retina	1	
10	664305	Left side metallic retina	1	
11	664454	Washer	6	
12	1B00054200XH1	Sottopianale fotoinciso non verniciato	1	Year:2014[D]
12	856454	Blank Underpanel	1	Year:2012[B], 2013[C]
12	8564540090	Underpanel, black	1	Year:2012[B], 2013[C]

Group	Frame - Plastic parts - Coachwork
Code	02.33
Description	Wheel huosing - Mudguard
Service	1



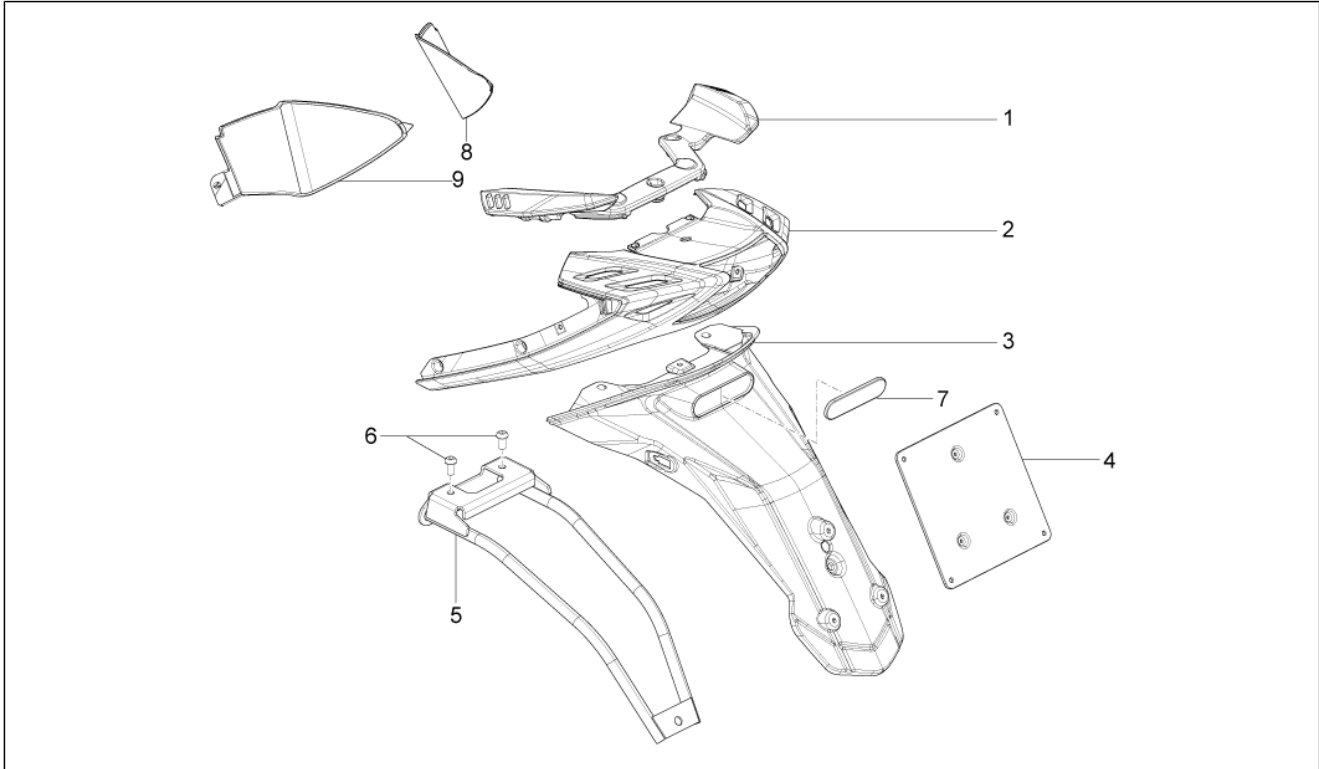
Pos.	Code	Description	Qty	Variants
1	66609100XH1	Front mudguard	1	
2	272836	Screw M6x16	2	
3	254485	Spring plate M6	2	
4	575249	Screw with shank M6	4	
5	65747500XH1	Rear mudguard	1	
6	67207000XH1	Wheel compartment	1	

Group	Frame - Plastic parts - Coachwork
Code	02.34
Description	Helmet huosing - Undersaddle
Service	1



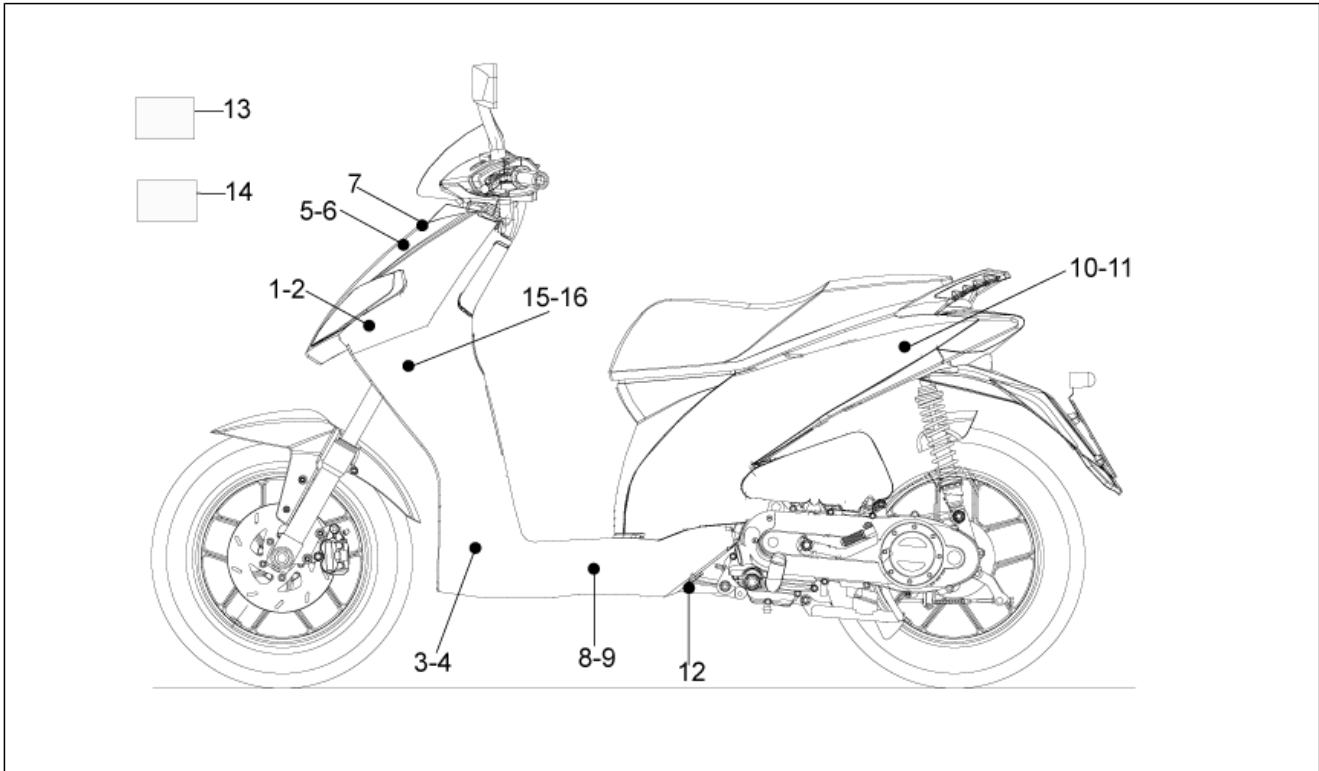
Pos.	Code	Description	Qty	Variants
1	67219000XH1	Helmet compartment	1	
2	575249	Screw with shank M6	2	
3	259372	Self tapping screw M4,2x25	3	
4	184142	Spring plate	4	
5	85299000XH1	Battery cover	1	
6	259349	Screw M4,2x13	3	
7	85270000XH1	Inspection cover, grey	1	

Group	Frame - Plastic parts - Coachwork
Code	02.37
Description	Rear cover - Splash guard
Service	1



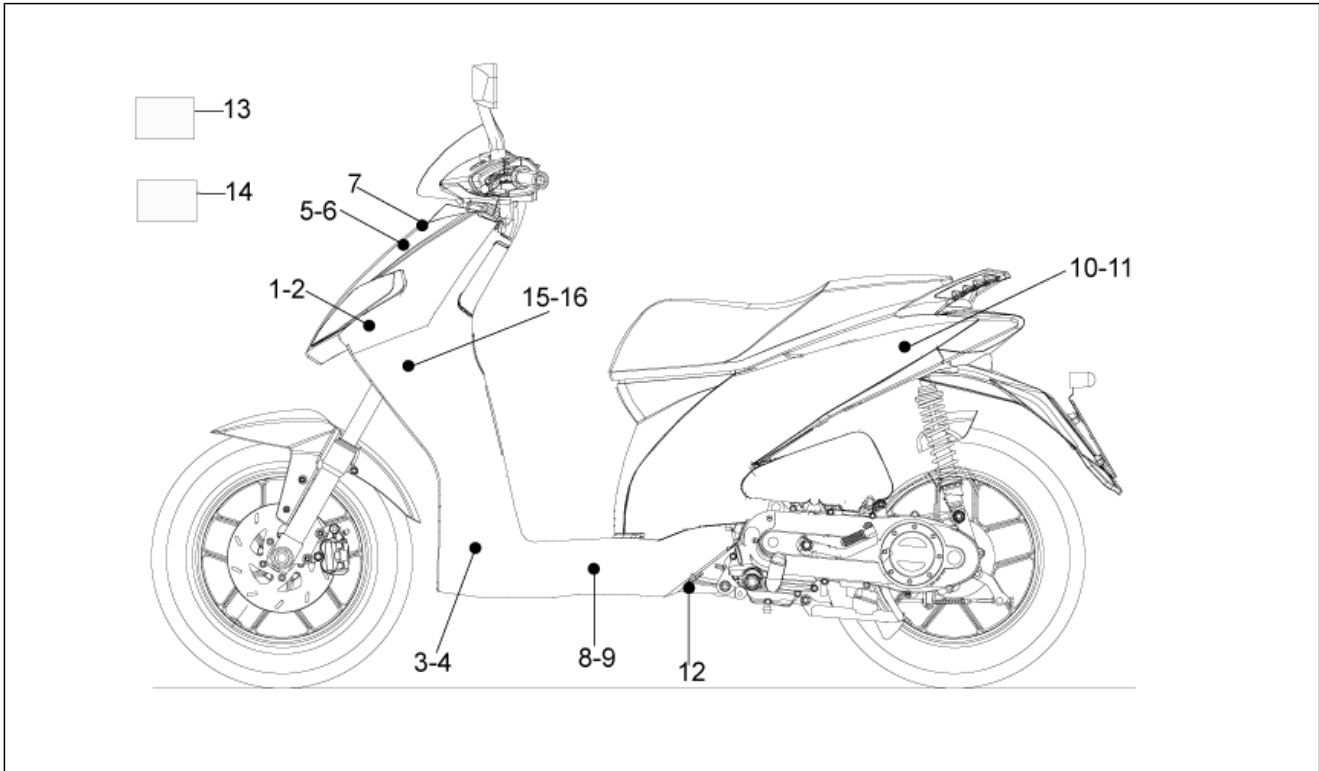
Pos.	Code	Description	Qty	Variants
1	657472	Passenger handle	1	
1	6574720090	Passenger handle	1	
2	65746900XH1	Fairings rear closing	1	
3	65747300XH1	Rear splash guard	1	
4	638833	Number plate holder (Plastica 121x141)	1	
5	664434	Licence plate support sub-frame	1	
6	582428	Hex socket screw	2	
7	582058	Rear retroreflector	1	
8	672186	RH rear wall	1	
9	672185	LH rear wall	1	

Group	Frame - Plastic parts - Coachwork
Code	02.38
Description	Plates - Emblems
Service	1



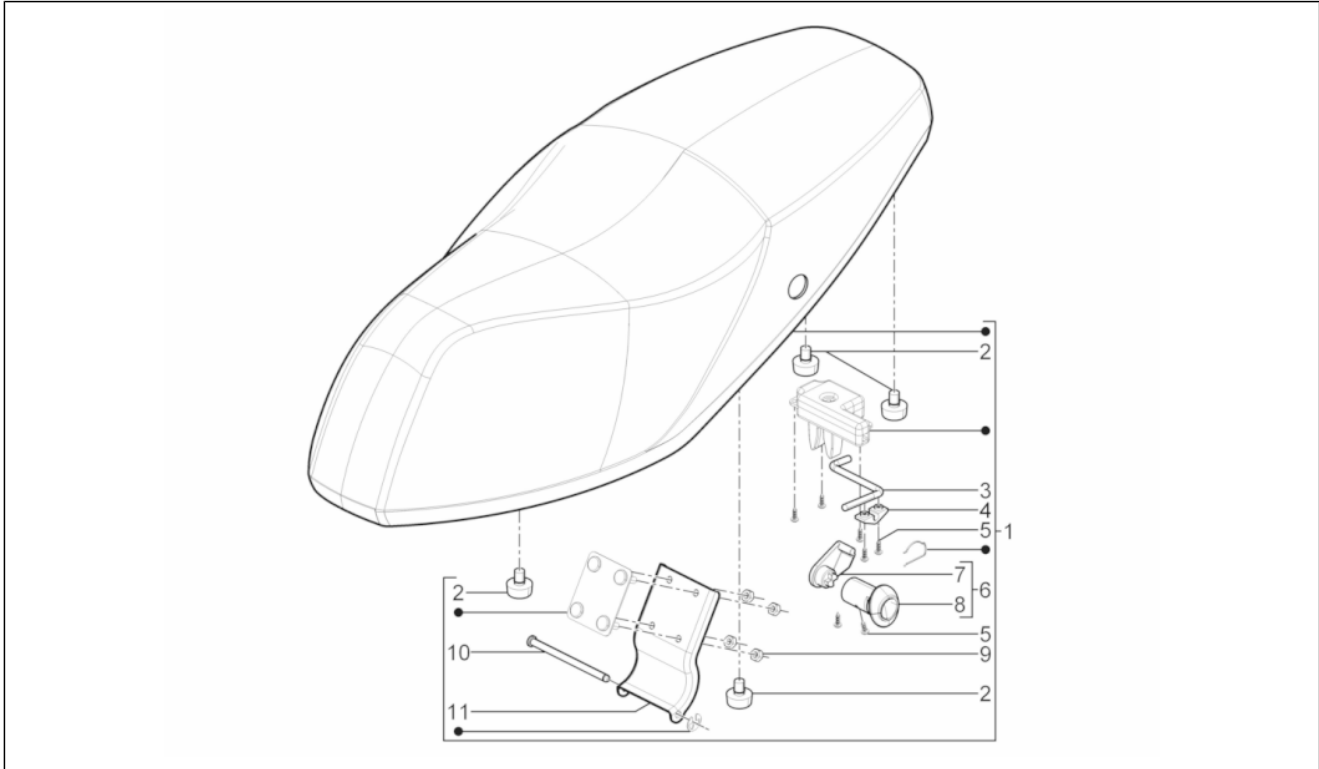
Pos.	Code	Description	Qty	Variants
1	677056	Right front shield decal 50	1	Vehicle colour:Orange[orange], White[white]
1	677067	Right front shield decal 50	1	Vehicle colour:BLACK[black]
2	677057	Left front shield decal 50	1	Vehicle colour:Orange[orange], White[white]
2	677068	Left front shield decal 50	1	Vehicle colour:BLACK[black]
3	677060	Right front shield decal SR	1	Vehicle colour:Orange[orange], White[white]
3	677071	Right front shield decal SR	1	Vehicle colour:BLACK[black]
4	677061	Left front shield decal SR	1	Vehicle colour:Orange[orange], White[white]
4	677072	Left front shield decal SR	1	Vehicle colour:BLACK[black]
5	677058	Right front shield band decal	1	Vehicle colour:Orange[orange], White[white]
5	677069	Right front shield band decal	1	Vehicle colour:BLACK[black]
6	677059	Left front shield band decal	1	Vehicle colour:Orange[orange], White[white]
6	677070	Left front shield band decal	1	Vehicle colour:BLACK[black]
7	677062	Front shield decal "aprilia italia"	1	
8	677063	Right under-footrest decal "aprilia"	1	
9	677064	Left under-footrest decal "aprilia"	1	
10	677065	Right tail fairing number plate decal "SR Motard"	1	Vehicle colour:Orange[orange], White[white]
10	677073	Right tail fairing number plate decal "SR Motard"	1	Vehicle colour:BLACK[black]
11	677066	Left tail fairing number plate decal "SR Motard"	1	Vehicle colour:Orange[orange], White[white]
11	677074	Left tail fairing number plate decal "SR Motard"	1	Vehicle colour:BLACK[black]
12	895839	""Eni"" label"	2	
13	672200	Name plate "Piaggio Technology"	1	
14	677534	[...]	1	Country:Australia[AU], europe[EU]
14	677535	[...]	1	Country:New Zealand[NZ]
15	5A000289	Right under-footrest decal "aprilia"	1	Year:2014[D] Vehicle colour:Grey[Gray], White[white]
15	5A000291	Right under-footrest decal "aprilia"	1	Year:2014[D] Vehicle colour:BLACK[black]
16	5A000290	Left under-footrest decal "aprilia"	1	Year:2014[D] Vehicle colour:Grey[Gray], White[white]

Group	Frame - Plastic parts - Coachwork
Code	02.38
Description	Plates - Emblems
Service	1



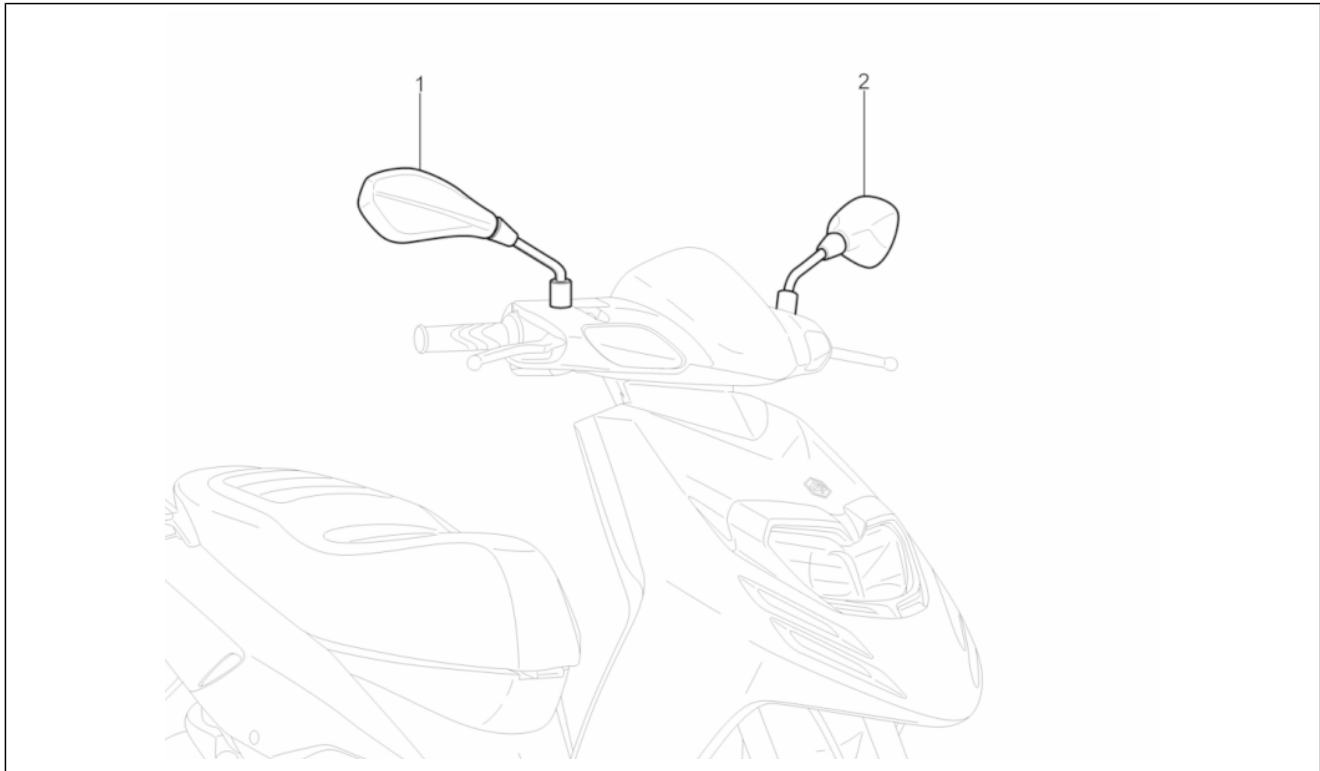
Pos.	Code	Description	Qty	Variants
16	5A000292	Left under-footrest decal "aprilia"	1	Year:2014[D] Vehicle colour:BLACK[black]

Group	Frame - Plastic parts - Coachwork
Code	02.39
Description	Saddle/seats - Tool roll
Service	1



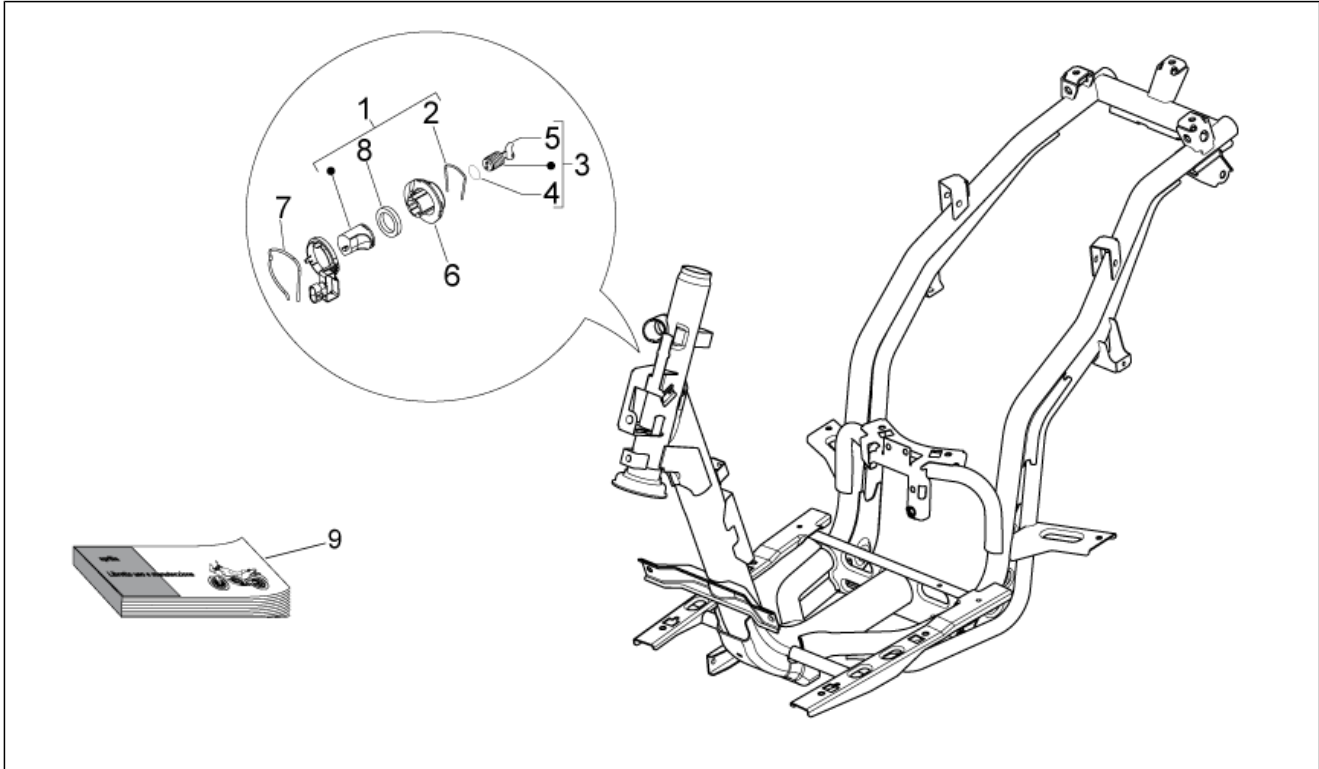
Pos.	Code	Description	Qty	Variants
1	675331	Saddle assembly	1	
2	577492	Pad	4	
3	856462	Lock lever	1	
4	296743	Bracket	1	
5	268596	Self tapping screw D4x13	7	
6	672327	Saddle lock hardware kit	1	
7	856463	Eccentric tightening	1	
8	652697	Lock body	1	
9	269136	Nut	4	
10	856466	Pin	1	
11	856465	Saddle hinge	1	

Group	Frame - Plastic parts - Coachwork
Code	02.45
Description	Driving mirror/s
Service	1



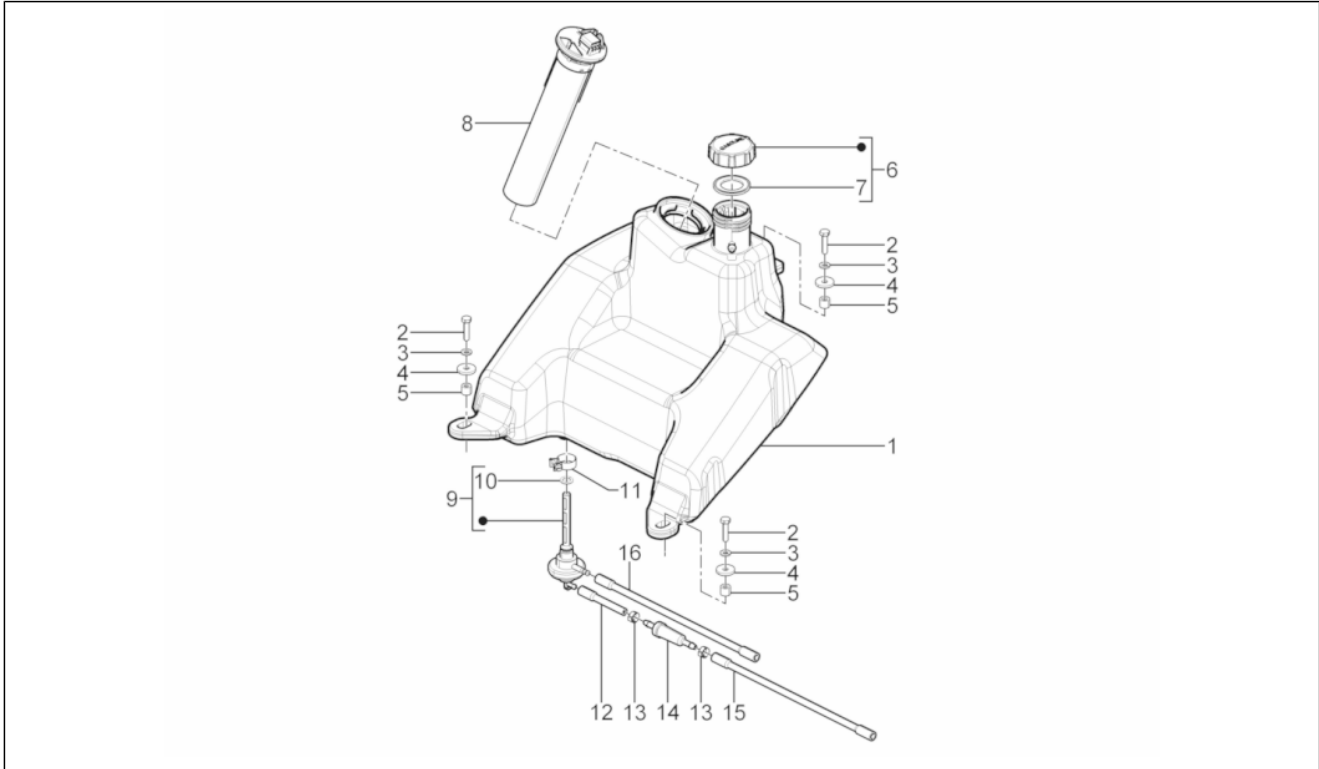
Pos.	Code	Description	Qty	Variants
1	CM180601	RH rearview mirror	1	
2	CM180602	LH rearview mirror	1	

Group	Frame - Plastic parts - Coachwork
Code	02.46
Description	Locks
Service	1



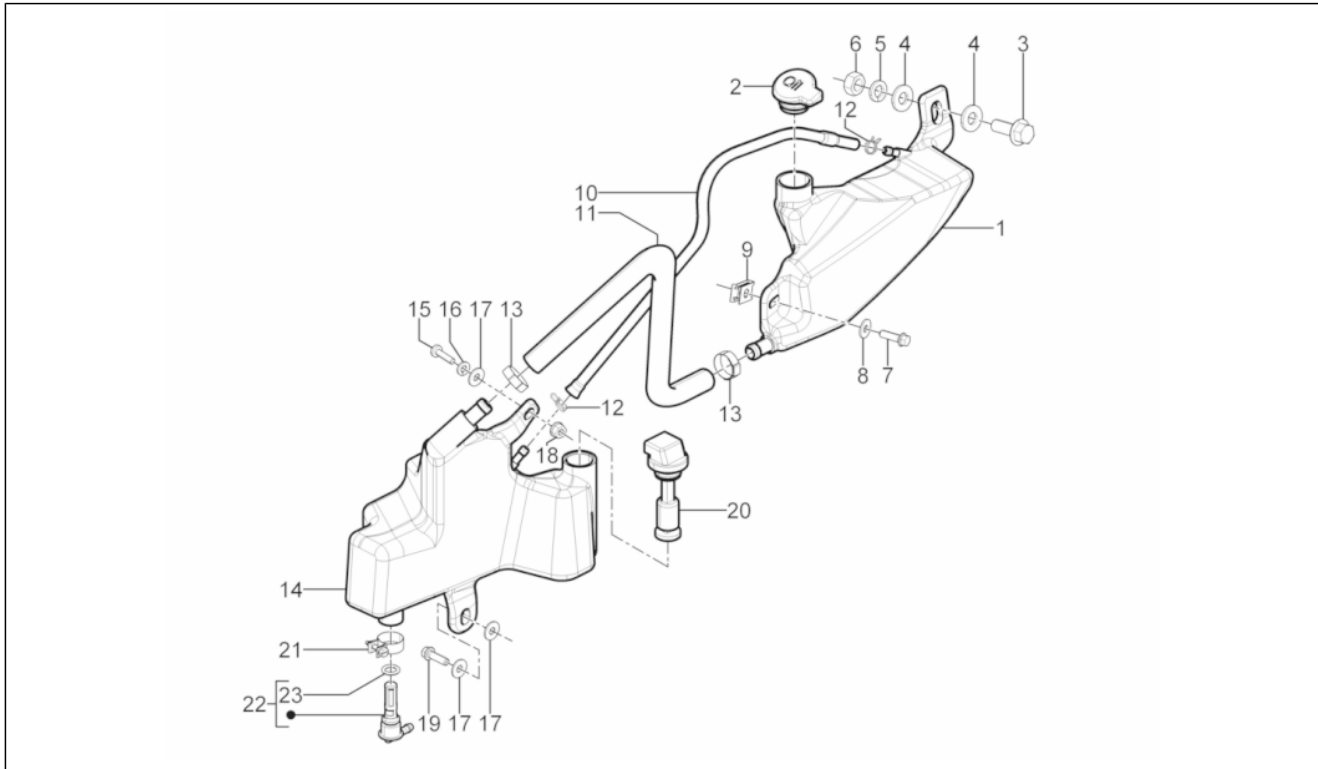
Pos.	Code	Description	Qty	Variants
1	298903	Complete lock block	1	
2	298838	Cylinder retainer spring	1	
3	860193	Lock cylinder	1	
4	298731	Gasket ring	1	
5	860691	Key	1	
6	298581	Lock body	1	
7	253937	Spring	1	
8	298594	Flat washer	1	
9	677534	[...]	1	

Group	Frame - Plastic parts - Coachwork
Code	02.47
Description	Fuel tank
Service	1



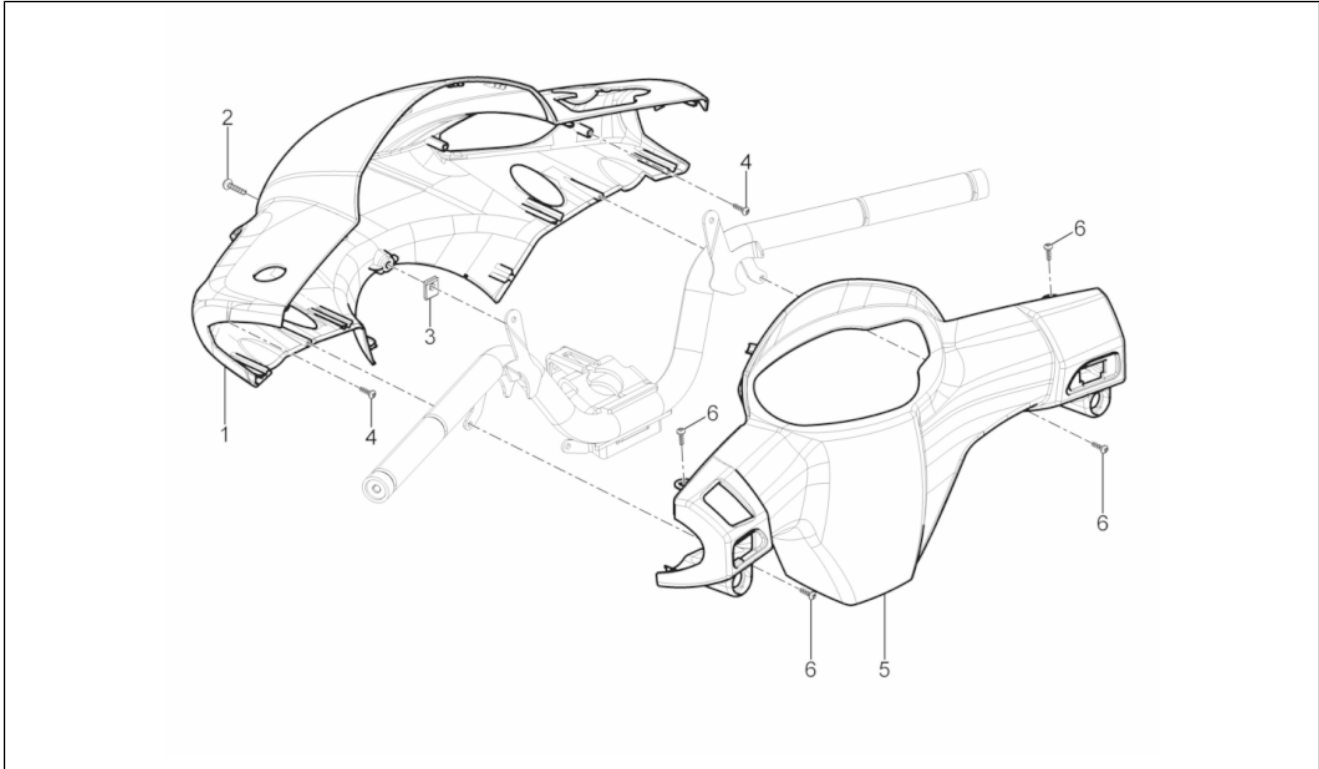
Pos.	Code	Description	Qty	Variants
1	657507	Fuel tank	1	
2	031092	screw M6x25	3	
3	016406	Spring washer 6,4x11,8x1	3	
4	268304	Flat washer 6,5x21	3	
5	231027	Spacer	3	
6	259832	Tank cap	1	
7	258160	Tank cover gasket	1	
8	CM025711	Fuel level probe	1	
9	575321	Depression tap	1	
10	196868	Gasket	1	
11	577557	Hose clamp	1	
12	CM027914	pipe 3,25x8x70	1	
13	CM001912	Hose clamp	2	
14	624522	Vacuum filter	1	
15	CM027920	Fuel tube 3,25x8x255	1	
16	CM006103	pipe 4x9x350	1	

Group	Frame - Plastic parts - Coachwork
Code	02.52
Description	Oil tank
Service	1



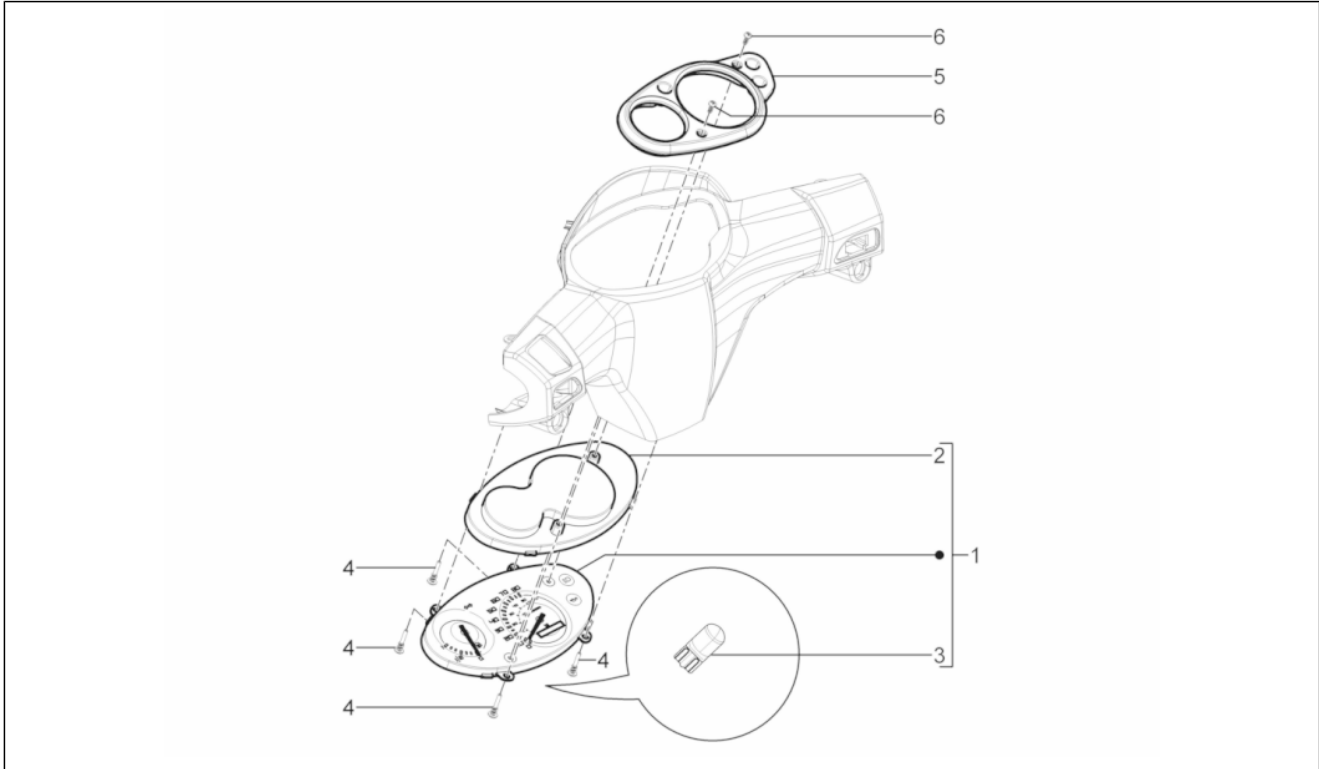
Pos.	Code	Description	Qty	Variants
1	664427	Oil tank	1	
2	860913	Oil filler cap	1	
3	967383	screw	1	
4	178790	Flat washer 22x10,3x2,5	2	
5	016410	Washer 17,6x11x2,5	1	
6	893087	Nut M10	1	
7	018639	Hex screw M6x20	1	
8	013880	Flat washer 16x6,5x1,5	1	
9	254485	Spring plate M6	1	
10	CM006124	Flexible pipe 4x9x470	1	
11	CM003906	Flexible pipe 11x16x240	1	
12	CM002903	Hose clamp	2	
13	CM001921	Hose clamp	2	
14	890096	Lower oil tank	1	
15	015856	screw M5x21	1	
16	016406	Spring washer 6,4x11,8x1	1	
17	013880	Flat washer 16x6,5x1,5	3	
18	288245	Self locking nut M6	1	
19	018639	Hex screw M6x20	1	
20	860788	Oil reserve indicator	1	
21	577557	Hose clamp	1	
22	574362	Complete coupling	1	
23	196868	Gasket	1	

Group	Handlebars/Steering
Code	03.01
Description	Handlebars coverages
Service	1



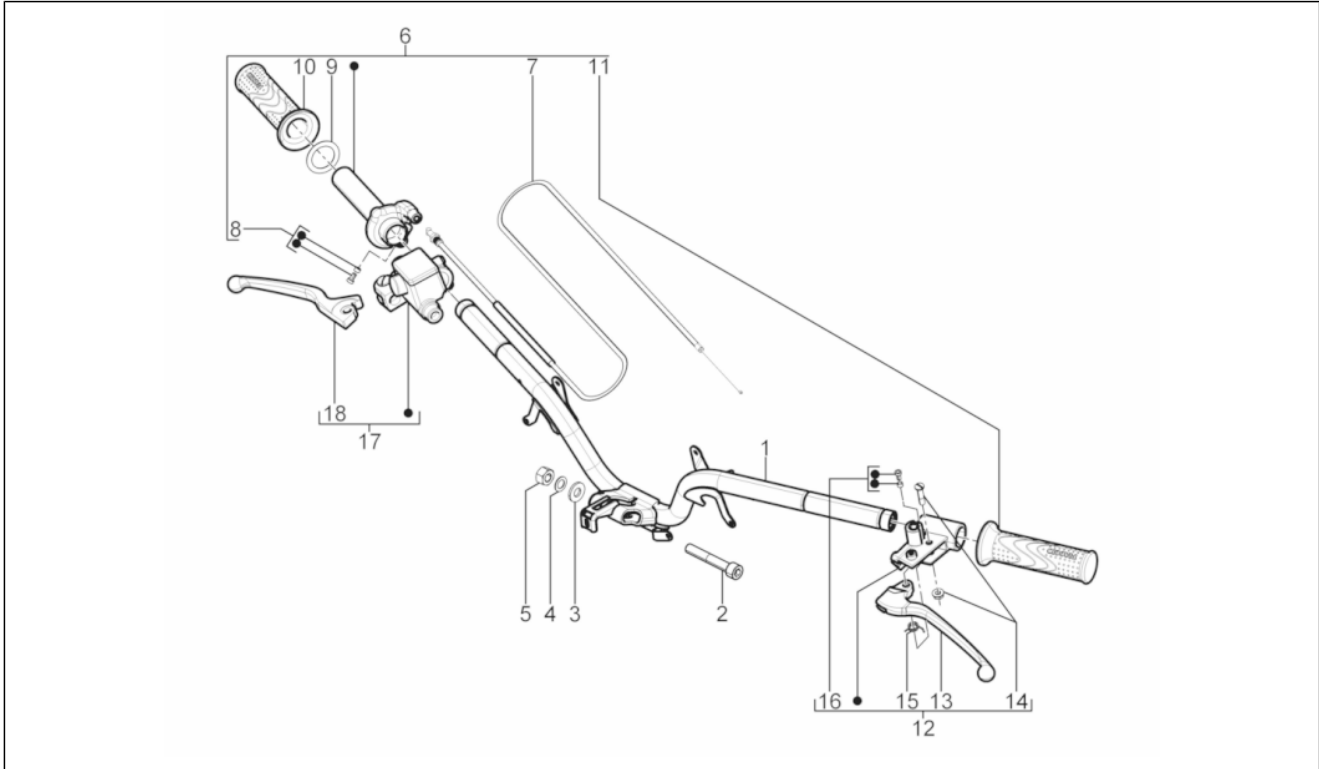
Pos.	Code	Description	Qty	Variants
1	1B000543	Front handlebars cover	1	Year:2014[D]
1	6574700090	Front handlebars cover	1	Year:2012[B], 2013[C]
2	008457	Self-tap screw M4,2x19	1	
3	CM017409	Spring plate	1	
4	267115	Self tapping screw M4x16	2	
5	1B000541	Rear handlebars cover	1	Year:2014[D]
5	853050	Rear handlebars cover	1	Year:2012[B], 2013[C]
5	8530500090	Rear handlebars cover	1	
6	267115	Self tapping screw M4x16	4	

Group	Handlebars/Steering
Code	03.02
Description	Meter combination - Cruscotto
Service	1



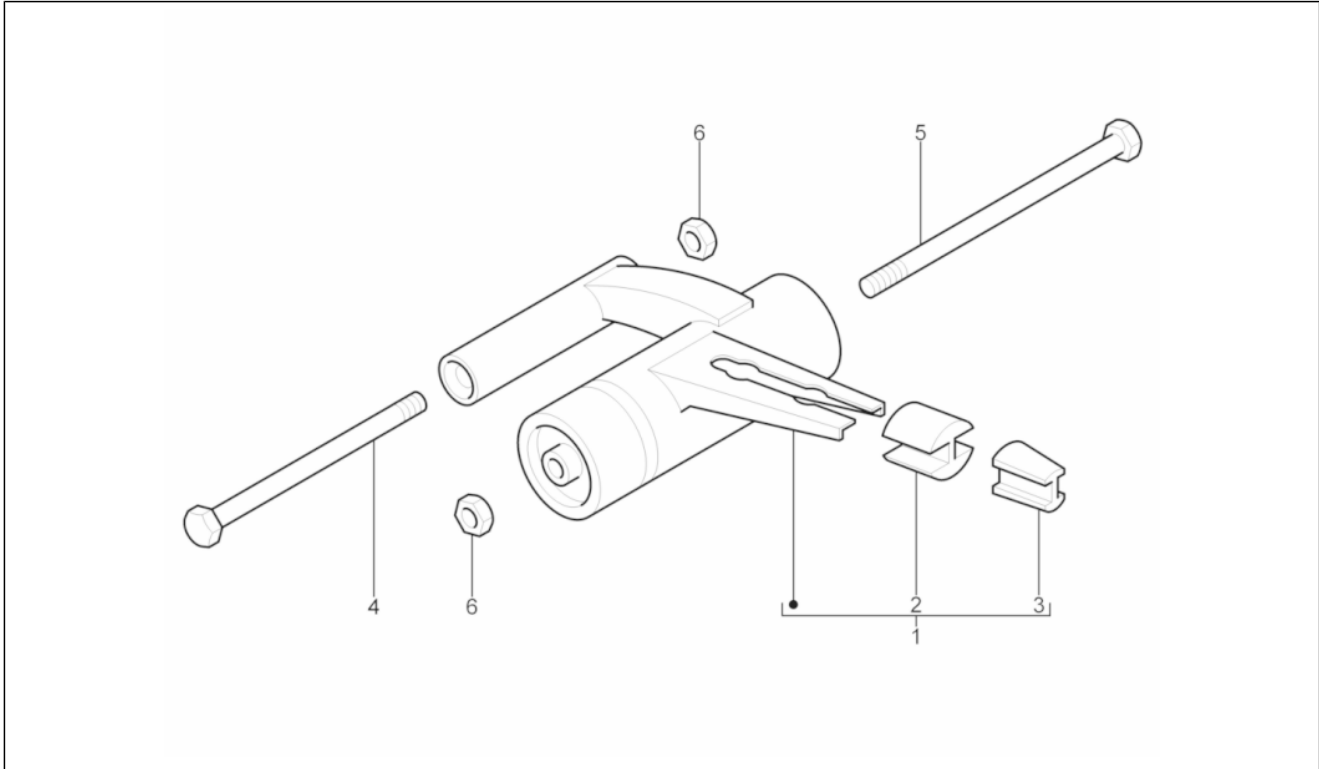
Pos.	Code	Description	Qty	Variants
1	643414	Meter combination	1	
2	856440	Instrument panel glass	1	
3	164634	12v-1.2w bulb	5	
4	268596	Self tapping screw D4x13	4	
5	6420190090	Dashboard panel blank	1	
6	860535	Hex socket screw	2	

Group	Handlebars/Steering
Code	03.06
Description	Handlebars - Master cil.
Service	1



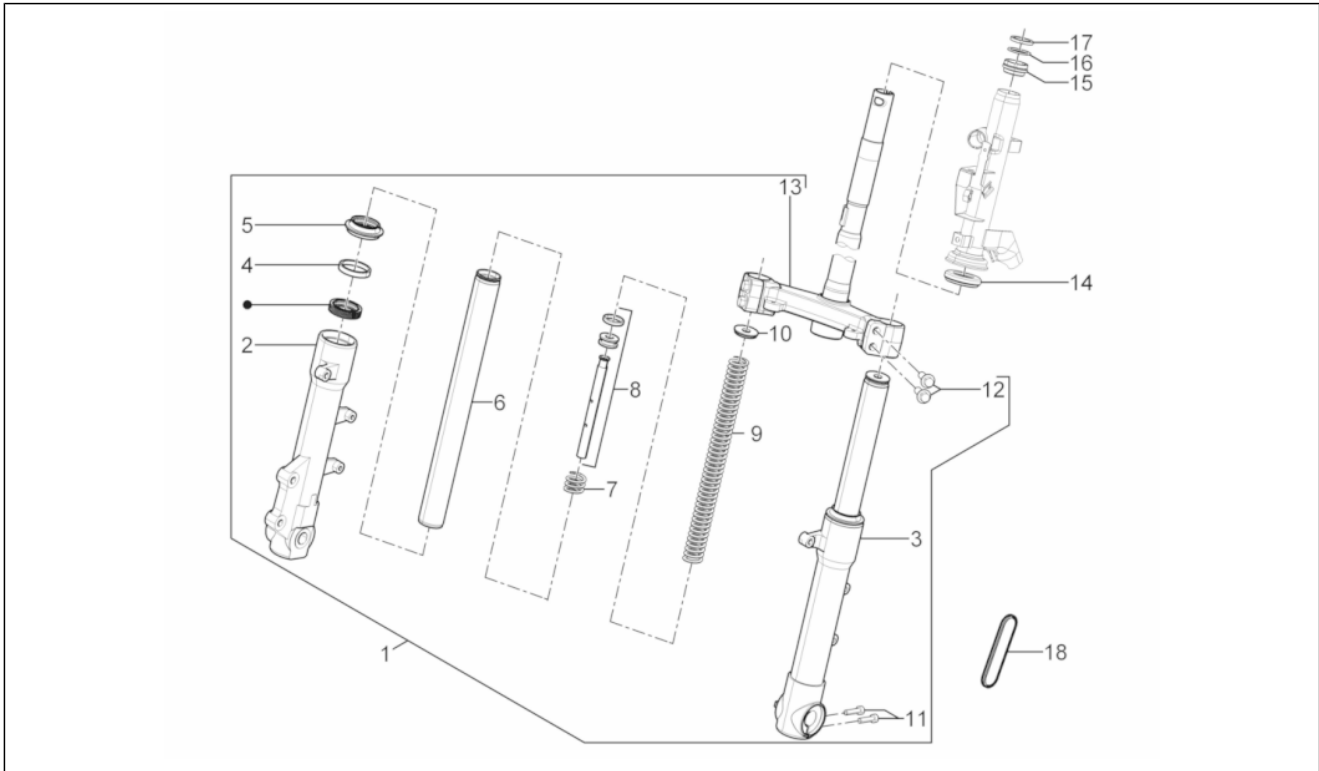
Pos.	Code	Description	Qty	Variants
1	853047	Handlebar	1	
2	655554	Hex socket screw M10x65	1	
3	178790	Flat washer 22x10,3x2,5	1	
4	012543	Flat elastic washer with internal tothing 17x10,3x2	1	
5	015330	Nut M10	1	
6	CM060978	Throttle cpl.	1	
7	890301	Gas lever transmission	1	
8	123394	Screw with bushing	1	
9	562923	Ring 38,3x27x1,2	1	
10	274491	RH hand grip	1	
11	274489	Grip, l.h.	1	
12	CM063805	Sleeve with rear brake lever	1	
13	564681	Lever	1	
14	265249	screw	1	
15	267948	Spring	1	
16	123394	Screw with bushing	1	
17	CM064305	(Heng Tong) Brake pump	1	
18	646832	Brake lever (Heng Tong)	1	

Group	Suspensions - Wheels
Code	04.01
Description	Swinging arm
Service	1



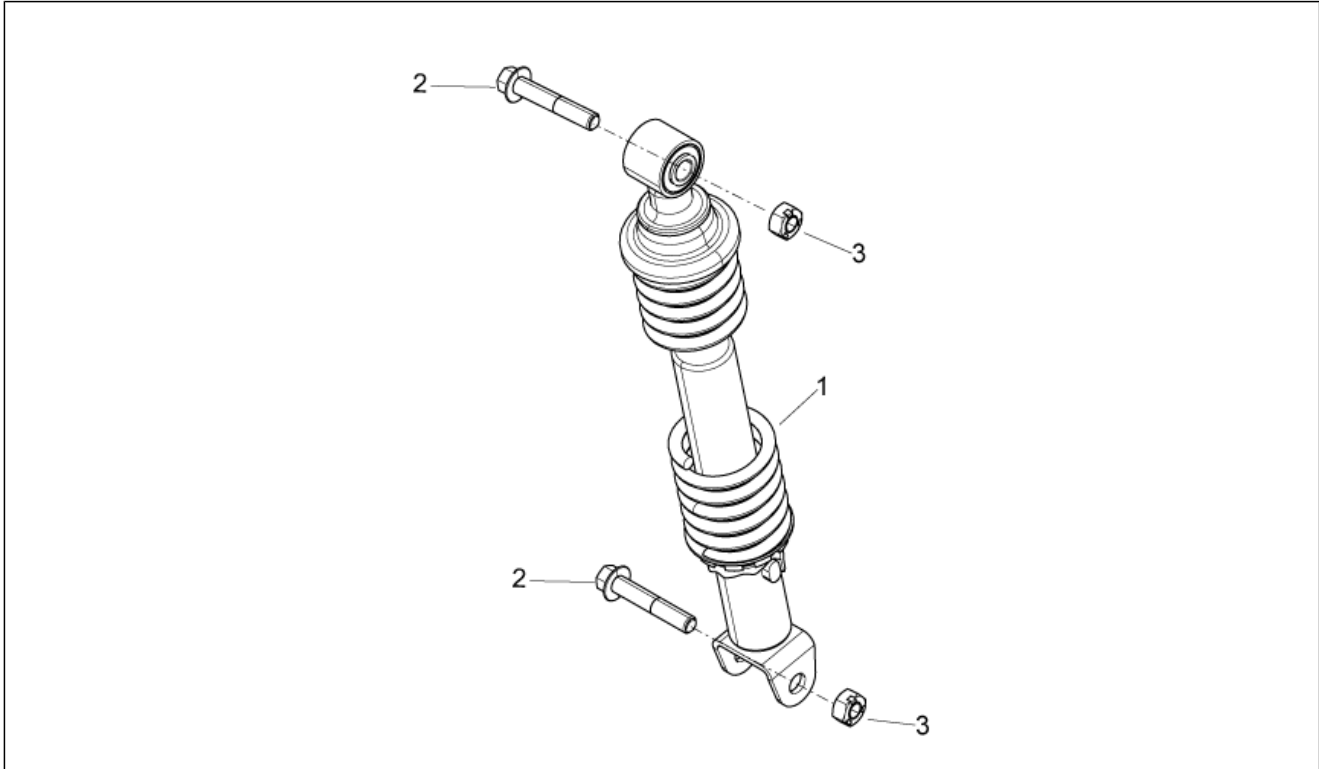
Pos.	Code	Description	Qty	Variants
1	853107	Connecting rod	1	
2	267550	Pad	1	
3	267589	Pad	1	
4	271807	Hex screw M10x202	1	
5	563977	Hex screw M10x245	1	
6	002440	Self locking nut M10	2	

Group	Suspensions - Wheels
Code	04.02
Description	Fork/steering tube - Steering bearing unit
Service	1



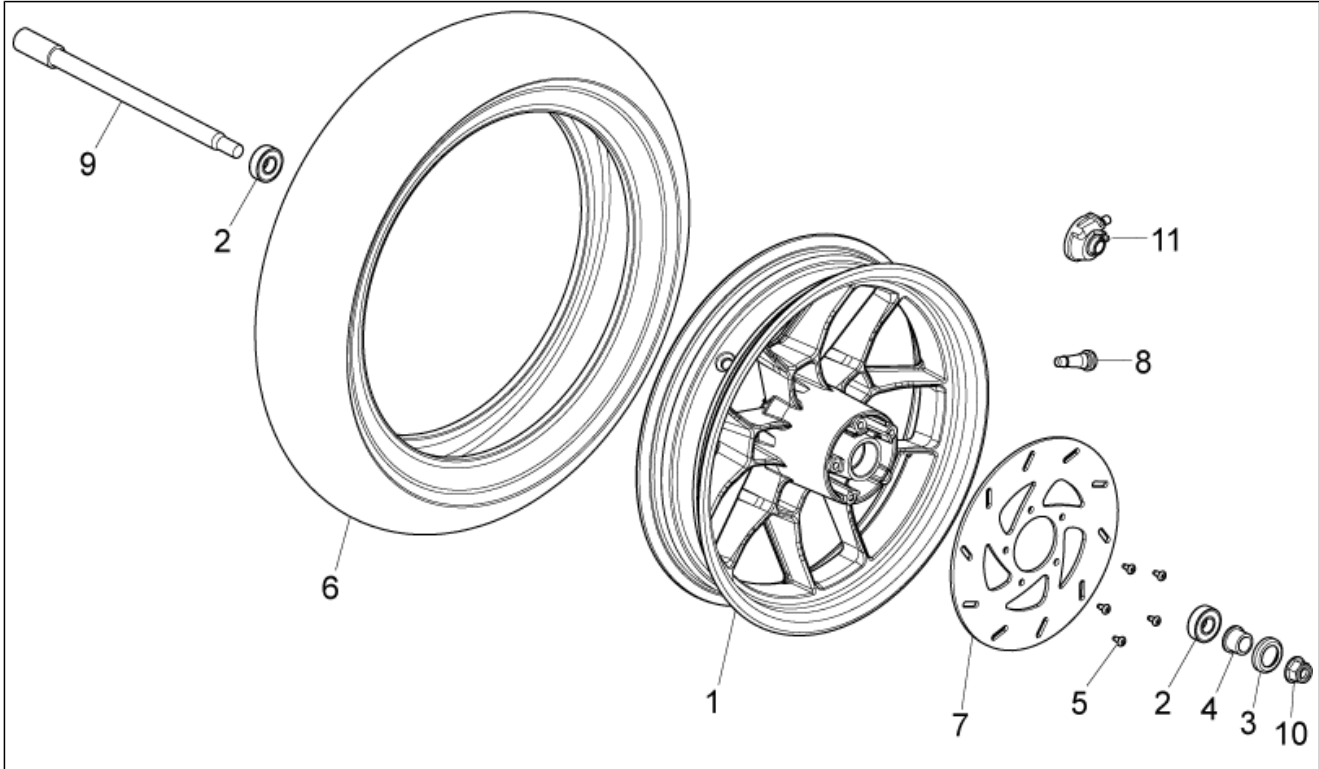
Pos.	Code	Description	Qty	Variants
1	668484	Front fork assembly	1	
2	666261	RH sleeve	1	
3	666262	LH sleeve	1	
4	600485	Fork oil seal	2	
5	600490	Dust cover	2	
6	858319	Fork stanchion	2	
7	858322	Secondary Spring	2	
8	858321	Fork piston	2	
9	858320	Fork spring	2	
10	600495	Cover	2	
11	601401	screw	2	
12	600482	Screw w/ flange	4	
13	858318	Steering column tube	1	
14	650075	Lower steering bearing	1	
15	650693	Upper thrust ring	1	
16	0037514	Washer of the steering	1	
17	0111094	Steering tube ring nut	1	
18	664045	Lateral reflector	2	

Group	Suspensions - Wheels
Code	04.10
Description	Rear suspension - Shock absorber/s
Service	1



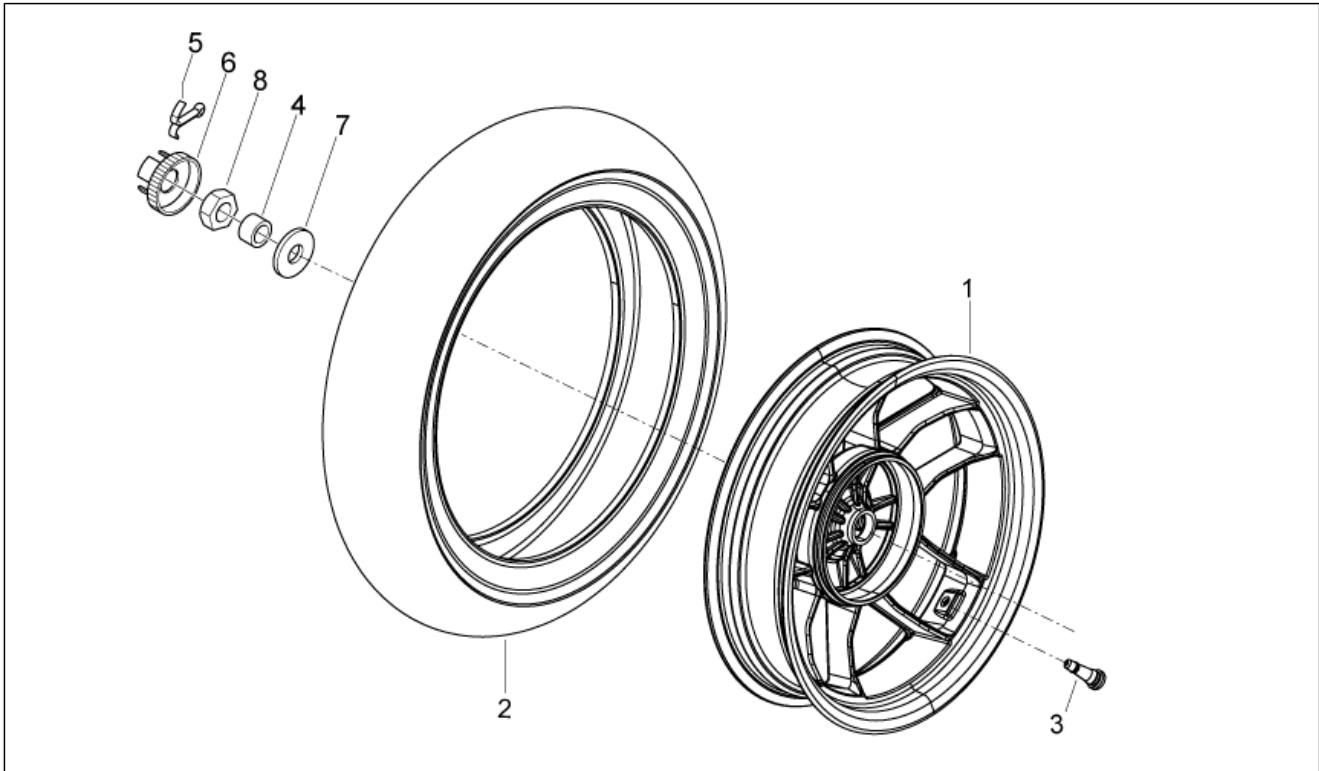
Pos.	Code	Description	Qty	Variants
1	856441	Shock absorber	1	
2	268158	Screw w/ flange M10	2	
3	002440	Self locking nut M10	1	

Group	Suspensions - Wheels
Code	04.11
Description	Front wheel
Service	1



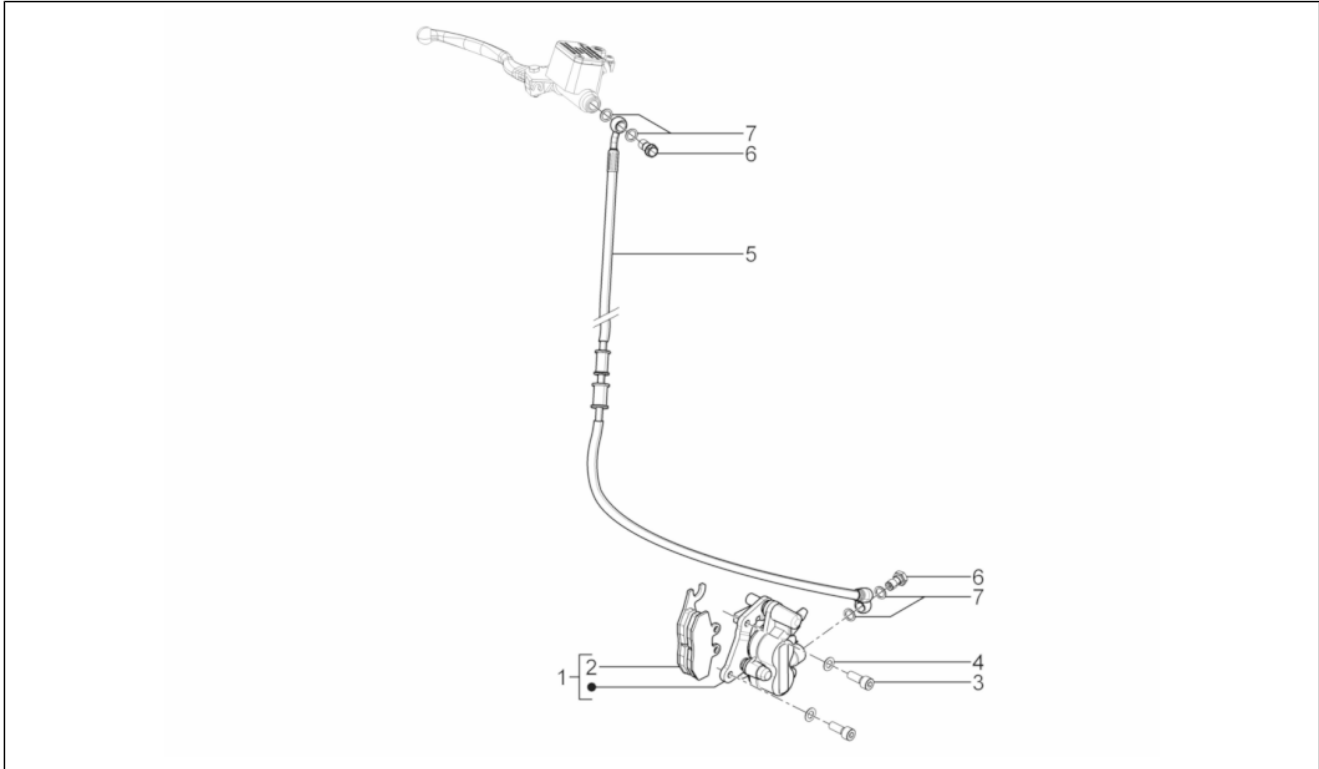
Pos.	Code	Description	Qty	Variants
1	666311	Front wheel	1	
2	327187	Bearing	2	
3	564527	Front wheel spacer	1	
4	564475	Cup	1	
5	853075	Tyre 120/70-14"	1	
6	853058	Front wheel axle	1	
7	271740	Nut M12	1	
8	270991	Tubeless tyre valve	1	
9	561714	Front brake disc	1	
10	271147	Hex socket screw M6x20	5	
11	56434R	Kilometre counter movement socket	1	

Group	Suspensions - Wheels
Code	04.12
Description	Rear wheel
Service	1



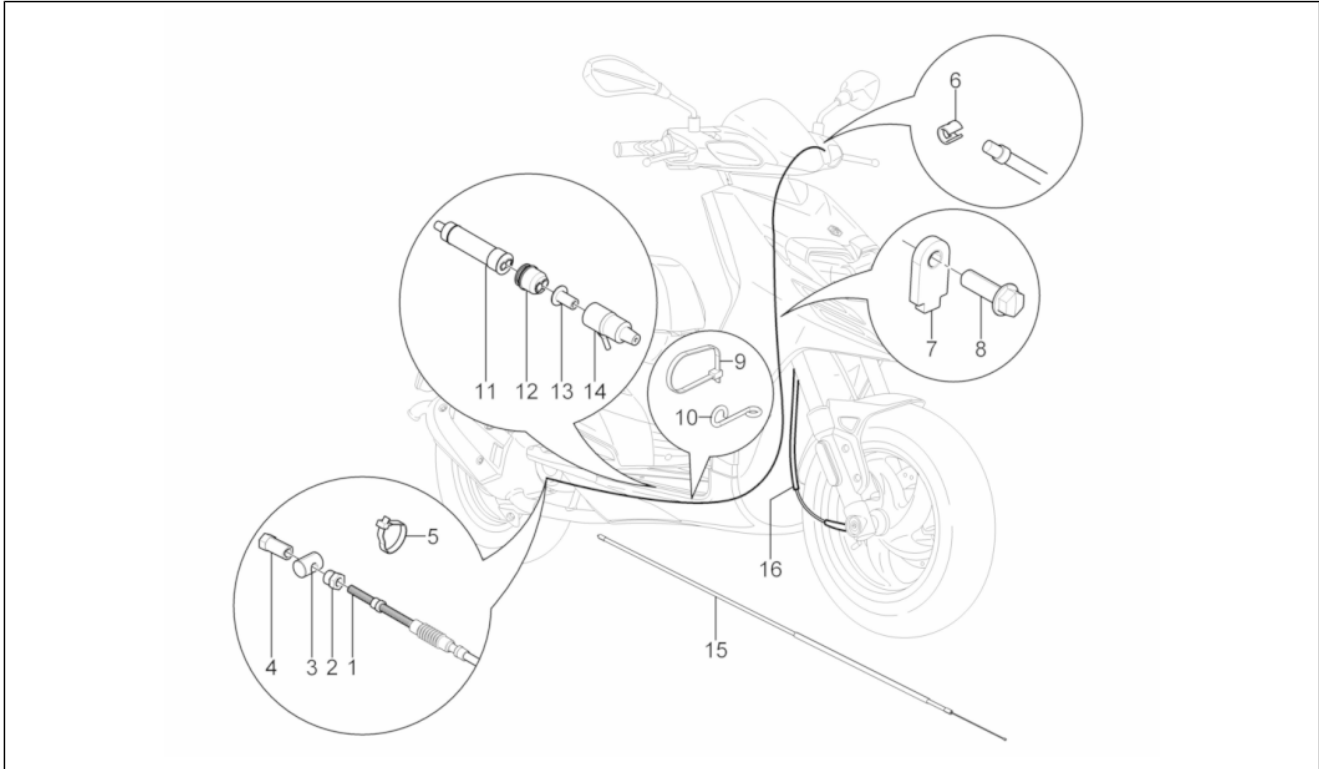
Pos.	Code	Description	Qty	Variants
1	666286	Rear wheel	1	
2	853075	Tyre 120/70-14"	1	
3	270991	Tubeless tyre valve	1	
4	601205	Spacer	1	
5	012789	Split pin	1	
6	194423	Nut hold cap	1	
7	273099	Plain washer 34,8x16,2x3	1	
8	563728	Nut M16x13	1	

Group	Braking system - Transmissions
Code	05.01
Description	Brakes pipes - Calipers
Service	1



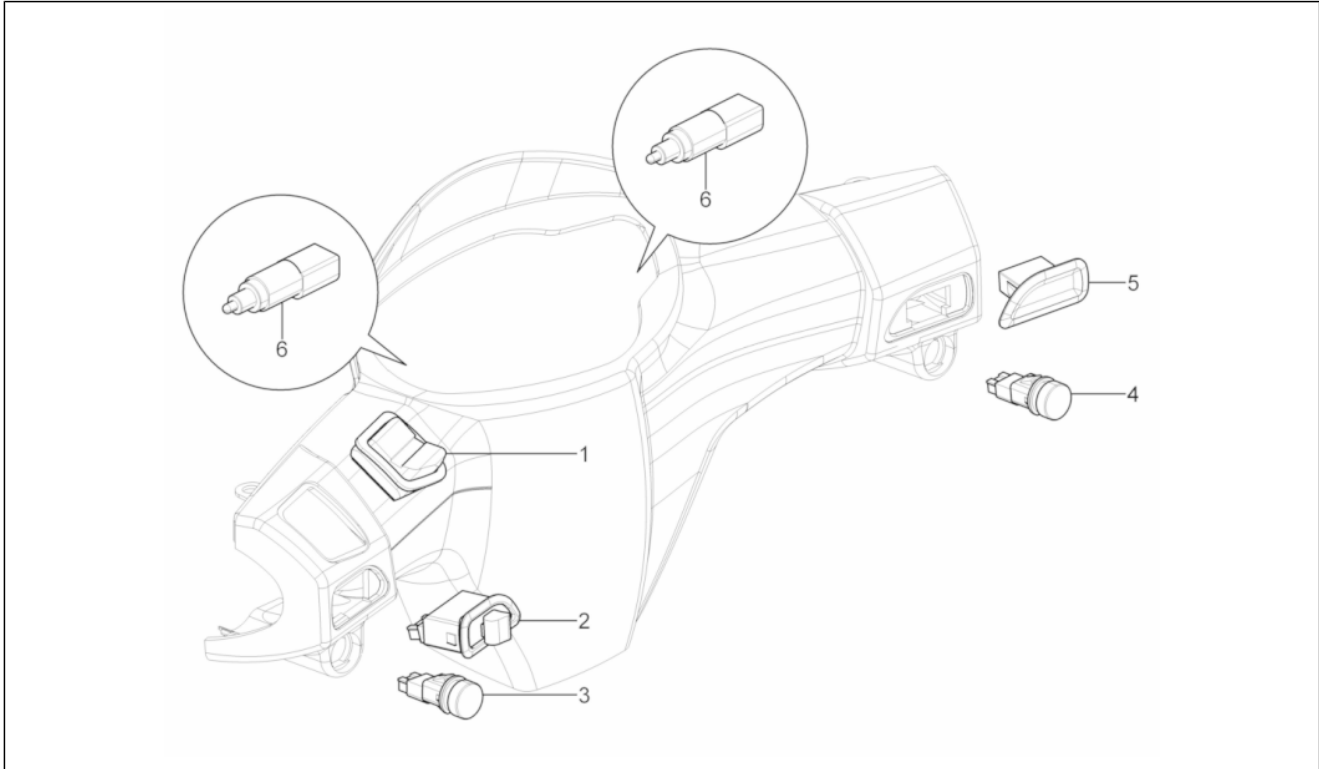
Pos.	Code	Description	Qty	Variants
1	666008	Brake hydraulic pin	1	
2	650983	Brake pads kit	1	
3	598919	screw	2	
4	709047	Spring washer	2	
5	858543	Brake fluid line	1	
6	651502	Oil pipe screw M10x18	2	
7	127927	Gasket	4	

Group	Braking system - Transmissions
Code	05.03
Description	Transmissions
Service	1



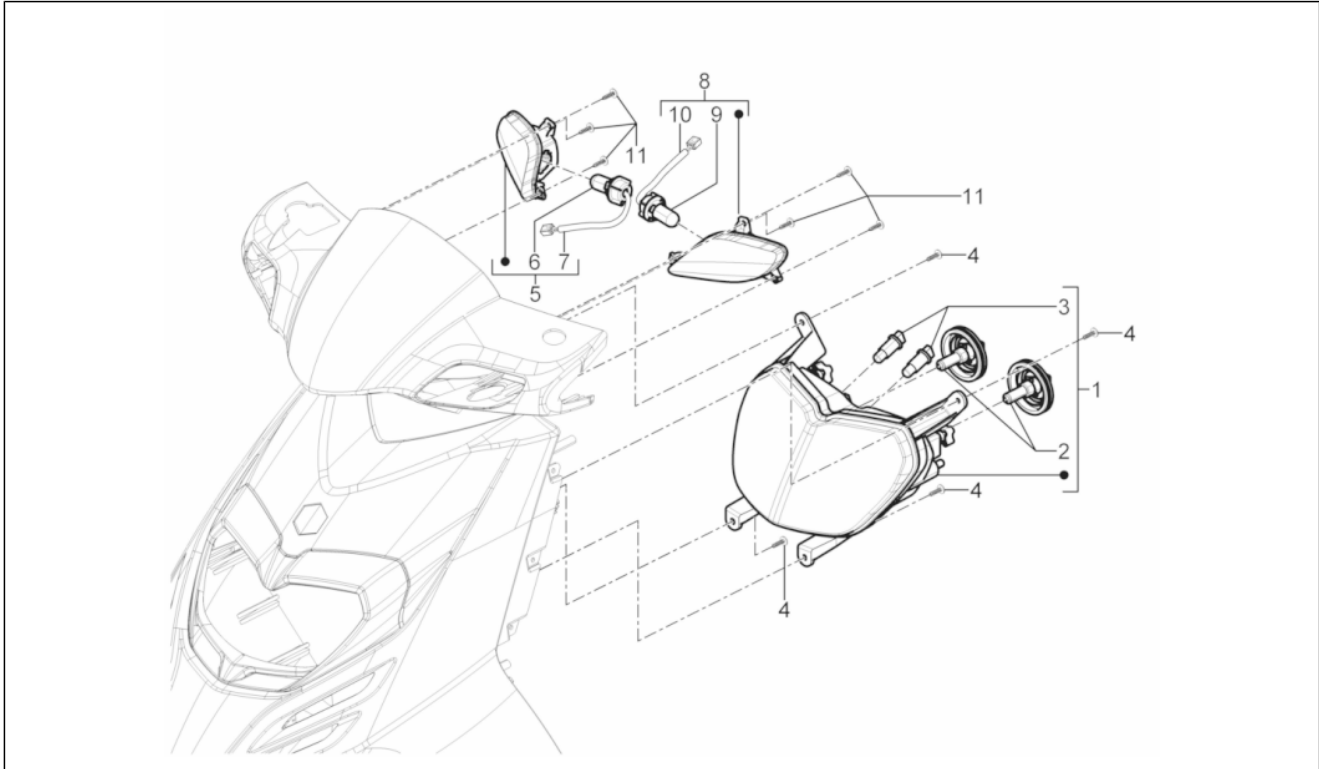
Pos.	Code	Description	Qty	Variants
1	666930	Rear brake transmission	1	
2	598918	Registro freno posteriore	1	
3	179640	Pin	1	
4	270310	Registro freno posteriore	1	
5	145298	Lock-strap L=180mm	1	
6	266040	Bush	1	
7	564497	Plate	1	
8	414837	Screw w/ flange M6x25	1	
9	257134	Lock-strap L=277	2	
10	666929	Fairlead	1	
11	269571	Splitter	1	
12	271976	Splitter lower protection	1	
13	269572	Steath ward trailing	1	
14	271977	Splitter upper protection	1	
15	268403	Gas control transmission	1	
15	890303	Gas control transmission	1	
16	858542	Speedometer transmission	1	

Group	Electrical system
Code	06.01
Description	Selectors - Switches - Buttons
Service	1



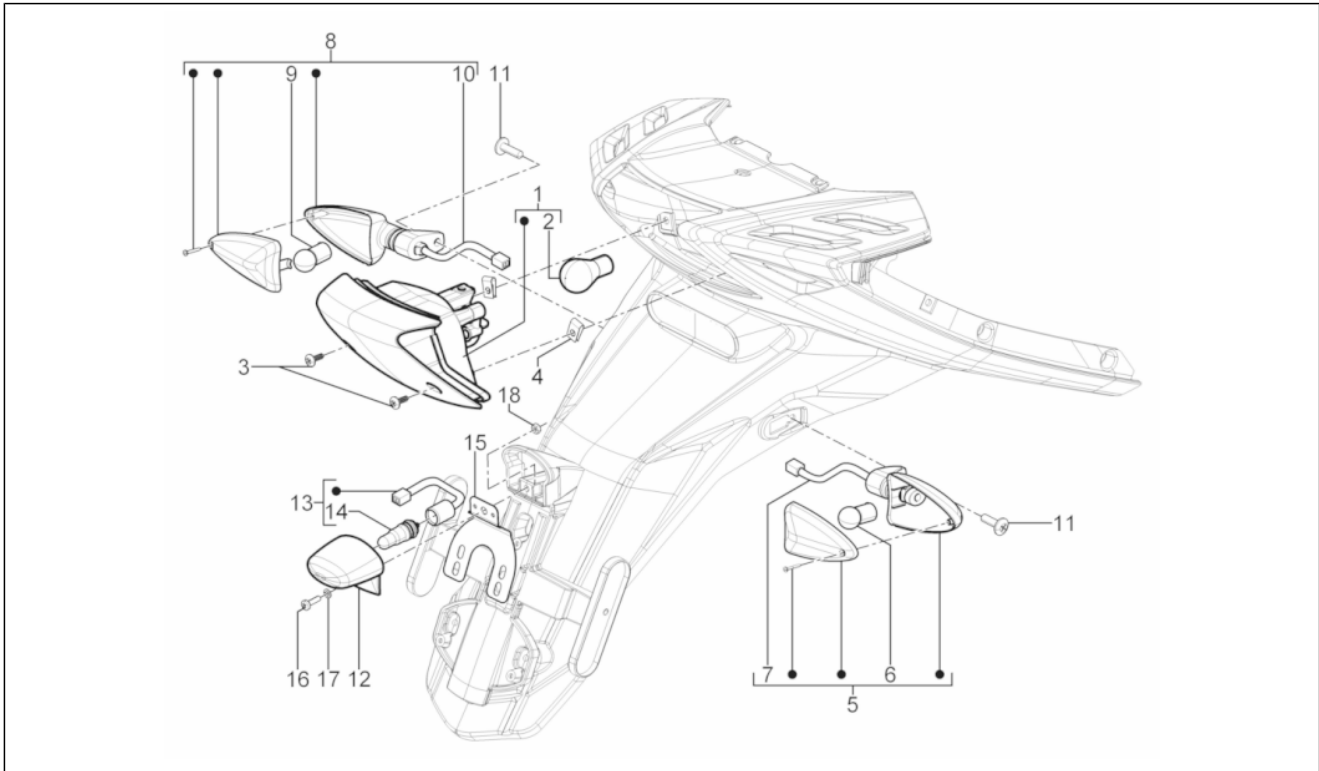
Pos.	Code	Description	Qty	Variants
1	294434	Headlight selector	1	
2	58056R	Turn signal lamps switch	1	
3	58058R	Horn button	1	
4	58057R	Start pushbutton	1	
5	584426	Light switch seat cover	1	
6	580723	stop Button	2	

Group	Electrical system
Code	06.03
Description	Front headlamps - Turn signal lamps
Service	1



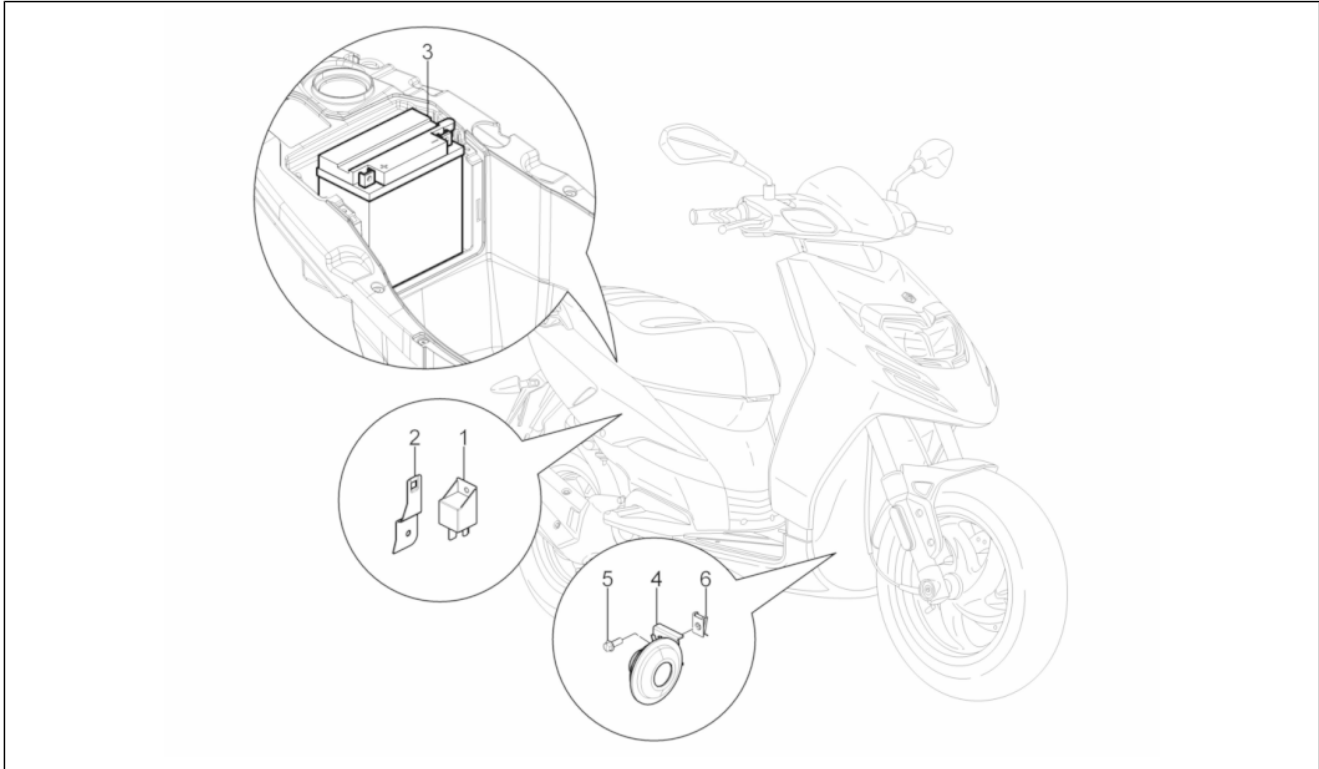
Pos.	Code	Description	Qty	Variants
1	642021	Front headlight	1	
2	00H01004131	Lamp H8	2	
3	294131	Lamp 12V-3W	2	
4	270723	Self tapping screw	5	
5	642025	Front right turn indicator	1	
6	584332	Lamp 12V-10W	1	
7	664360	Indicator cable assembly	1	
8	642026	Front left turn indicator	1	
9	584332	Lamp 12V-10W	1	
10	664362	Indicator cable assembly	1	
11	664170	screw	6	

Group	Electrical system
Code	06.04
Description	Rear headlamps - Turn signal lamps
Service	1



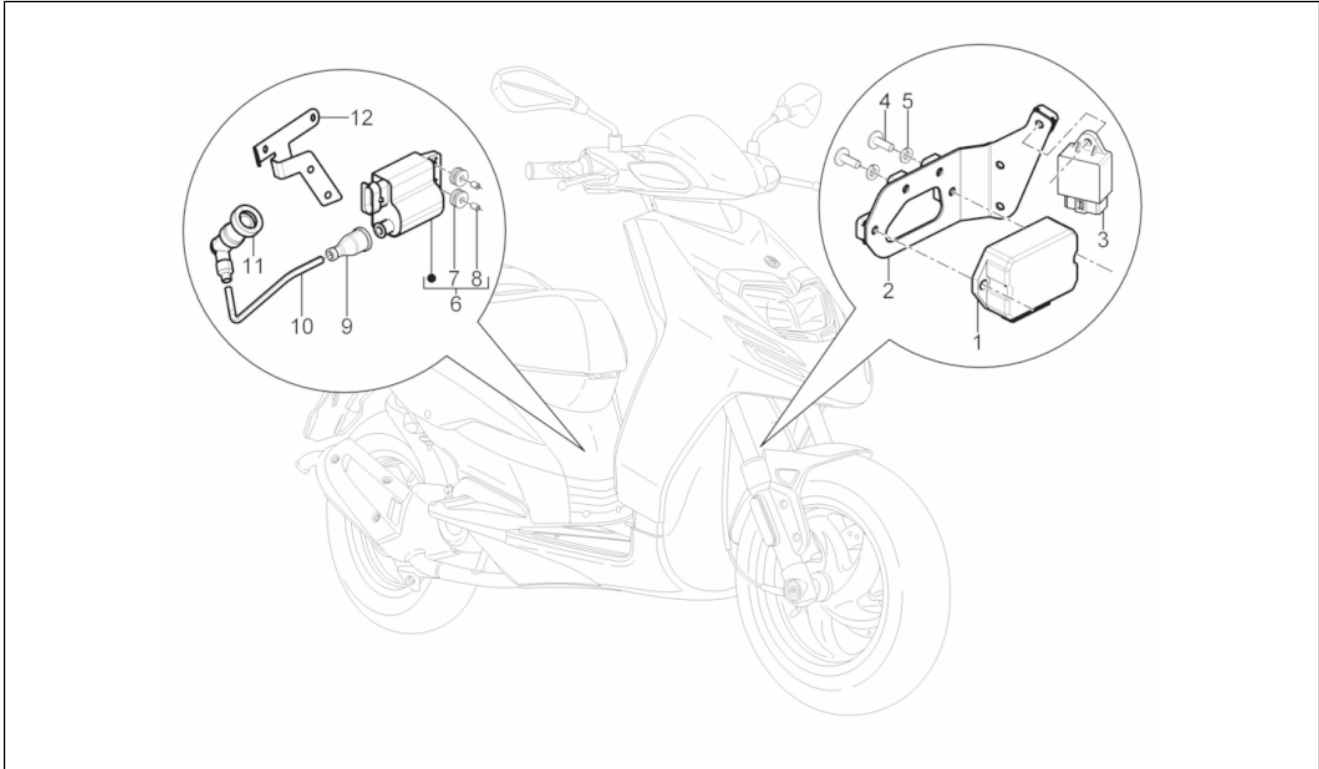
Pos.	Code	Description	Qty	Variants
1	642022	Taillight	1	
2	129953	Lamp 12V-21/5W	1	
3	664457	ZPF screw	2	
4	184142	Spring plate	2	
5	642023	Right rear turn indicator	1	
6	584332	Lamp 12V-10W	1	
7	664359	Right indicator cable assembly	1	
8	642024	Left rear turn indicator	1	
9	584332	Lamp 12V-10W	1	
10	664361	Left indicator cable assembly	1	
11	259830	Metric screw M6x20	2	
12	858306	Number plate lamp	1	Country:Australia[AU], New Zealand[NZ]
13	858180	Plate light wiring	1	Country:Australia[AU], New Zealand[NZ]
14	292022	Lamp 12V-5W	1	Country:Australia[AU], New Zealand[NZ]
15	858334	License plate lamp bracket	1	Country:Australia[AU], New Zealand[NZ]
16	018591	screw M4x14	2	Country:Australia[AU], New Zealand[NZ]
17	016404	Flat washer 4,2x7,6x0,9	2	Country:Australia[AU], New Zealand[NZ]
18	020104	Nut M4	2	Country:Australia[AU], New Zealand[NZ]

Group	Electrical system
Code	06.05
Description	Remote control switches - Battery - Horn
Service	1



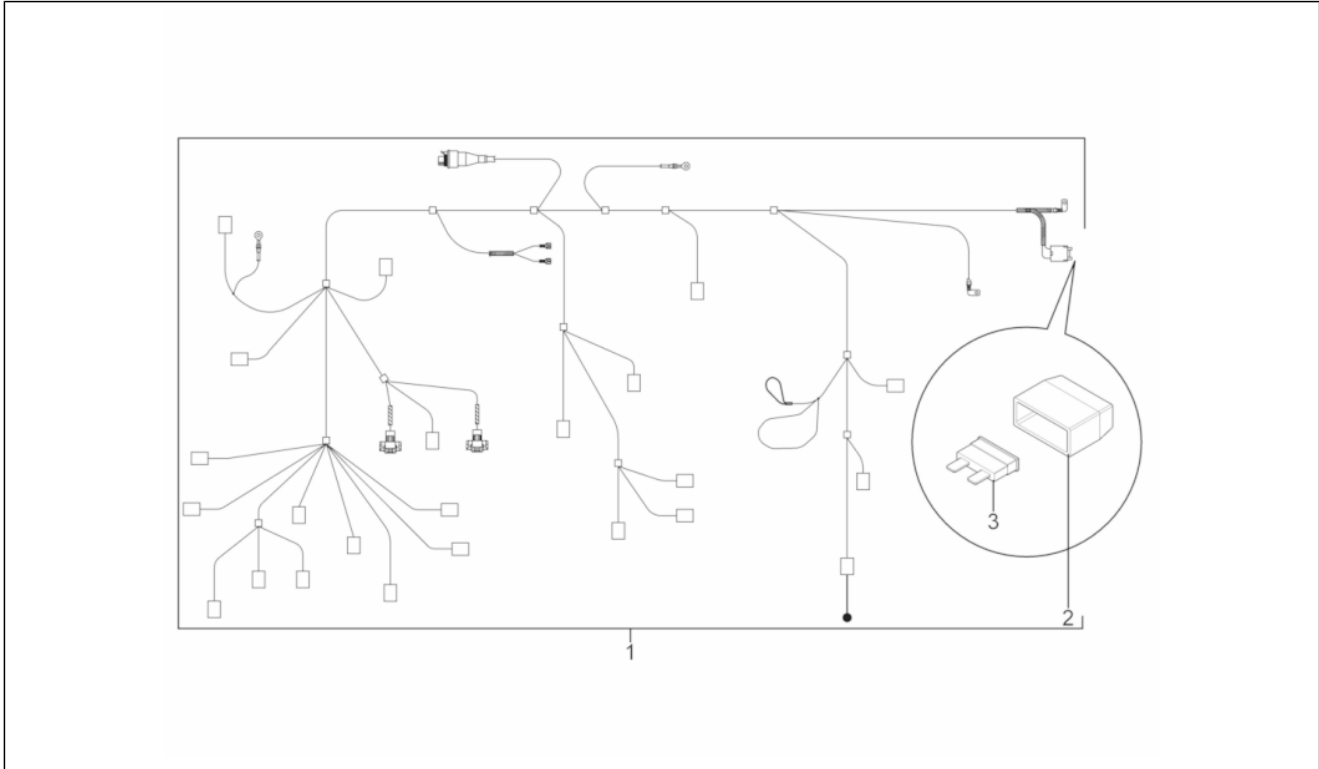
Pos.	Code	Description	Qty	Variants
1	642318	Starter relay 12V-80A	1	
2	582042	Solenoid bracket	1	
3	234390	Battery 12V-4Ah	1	Year:2014[D]
3	584810	Battery 12V-9Ah	1	Year:2012[B], 2013[C]
4	58093R	Horn	1	
5	434541	Screw w/ flange M6x16	1	
6	254485	Spring plate M6	1	

Group	Electrical system
Code	06.06
Description	Voltage Regulators - Electronic Control Units (ecu) - H.T. Coil
Service	1



Pos.	Code	Description	Qty	Variants
1	58096R	Voltage regulator	1	
2	672173	Control unit sup. bracket	1	
3	639027	Preheat. control device	1	
4	272836	Screw M6x16	2	
5	016406	Spring washer 6,4x11,8x1	2	
6	58095R	Electronic ignition unit	1	
7	217163	Pad	2	
8	217164	Spacer	2	
9	231571	Insulating cap	1	
10	080341	H.V. cable	1	
11	825187	Screened cap	1	
12	890234	Support bracket	1	

Group	Electrical system
Code	06.08
Description	Main cable harness
Service	1



Pos.	Code	Description	Qty	Variants
1	642479	Main wiring harness	1	Year:2012[B], 2013[C], 2014[D]
2	290404	Cover	1	
3	292507	Fuse 10A	1	